



US00D961104S

(12) **United States Design Patent**
Marton et al.

(10) **Patent No.:** **US D961,104 S**
(45) **Date of Patent:** **** Aug. 16, 2022**

(54) **APPLICATOR HEAD FOR PERCUSSIVE MASSAGE DEVICE**

(71) Applicant: **Hyper Ice, Inc.**, Irvine, CA (US)

(72) Inventors: **Robert Marton**, Yorba Linda, CA (US); **Anthony Katz**, Laguna Niguel, CA (US)

(73) Assignee: **Hyper Ice, Inc.**, Irvine, CA (US)

(**) Term: **15 Years**

(21) Appl. No.: **29/750,435**

(22) Filed: **Sep. 14, 2020**

(51) **LOC (13) Cl.** **28-03**

(52) **U.S. Cl.**
USPC **D24/215**

(58) **Field of Classification Search**
USPC D24/215, 200, 211, 212, 213, 214, 107, D24/231; D8/29, 85, 86, 386, 14.1, 61, D8/47; D9/435, 439, 441; D21/717; D28/12, 13; D30/158
CPC .. A61H 1/00; A61H 15/00; A61H 2015/0007; A61H 2015/0042; A61H 15/0092; A61H 23/00; A61H 23/006; A61H 2023/002; A61H 23/06; A61H 23/02; A61H 2201/0153; A61H 2201/0157; A61H 7/00; A61H 7/003; A61H 1/008
See application file for complete search history.

(56) **References Cited**

U.S. PATENT DOCUMENTS

D27,947 S * 12/1897 Norton D7/693
D492,172 S * 6/2004 Theurer D8/47
7,144,417 B2 * 12/2006 Colloca H01F 7/18
601/111
D782,732 S * 3/2017 Smith D28/13
D811,009 S * 2/2018 Smith D28/13

D845,500 S * 4/2019 Wersland D24/211
D865,192 S * 10/2019 Nazarian D24/200
D907,792 S * 1/2021 Marton D24/215
D908,235 S * 1/2021 Marton D24/215
D941,113 S * 1/2022 Hyma D8/47
D946,166 S * 3/2022 Li D24/215

OTHER PUBLICATIONS

Gig dog—Massage Gun Heads. Date: Jul. 15, 2020. [online]. [Site visited Mar. 21, 2022]. Available from Internet URL: <https://www.amazon.com/dp/B083Q87NDV> (Year: 2020).*
Serveyou—6PCS_Set Percussion Massage Tip. Date: May 15, 2020. [online]. [Site visited Mar. 21, 2022]. Available from Internet URL: <https://www.amazon.com/dp/B083Q87NDV> (Year: 2020).*

(Continued)

Primary Examiner — Susan Bennett Hattan
Assistant Examiner — Landon Thomas Cassell
(74) *Attorney, Agent, or Firm* — Patterson Intellectual Property Law, P.C.; Jerry Turner Sewell

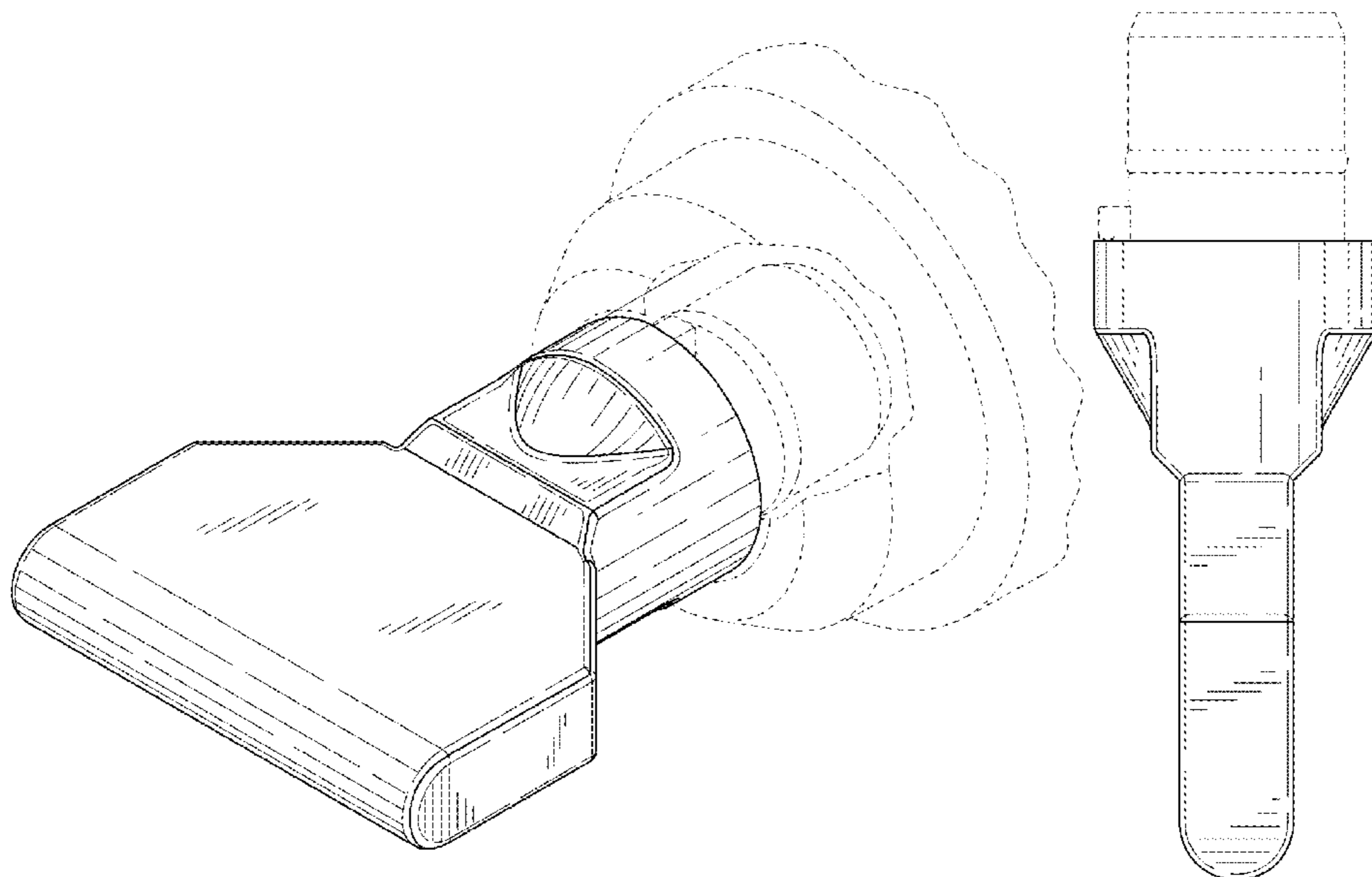
(57) **CLAIM**

The ornamental design for a “applicator head for percussive massage device,” as shown and described.

DESCRIPTION

FIG. 1 is an upper front perspective view of an applicator head for percussive massage device of our new design; FIG. 2 is a top view thereof; FIG. 3 is a right side view thereof; FIG. 4 is a front view thereof; FIG. 5 is a rear view thereof; FIG. 6 is a left side view thereof; and, FIG. 7 is a bottom view thereof. The broken lines in the drawings are for the purposes of illustrating portions of the applicator head for percussive massage device, which form no part of the claimed design.

1 Claim, 3 Drawing Sheets



(56)

References Cited

OTHER PUBLICATIONS

Massager heads. (Design—© Questel) orbit.com. [Online PDF compilation of references] 41 pgs. Print Dates Range Dec. 15, 2020-Nov. 8, 2019 [Retrieved Mar. 21, 2022] <https://www.orbit.com/export/UCZAH96B/pdf4/ca0cd9c3-d6e0-42d1-8b00-43f4ed36fac5-160439.pdf> (Year: 2022).*

Home Depot, “3 in. x6.5 in. SDS-Plus Scaling Chisel,” byThinset Removal Bit , originally downloaded on Jul. 27, 2020, from https://www.homedepot.com/p/Thinset-Removal-Bit-3-in-x-6-5-in-SDS-Plus-Scaling-Chisel-3TRBSPSFC/301949302?source=shoppingads&locale=en-US&mtc=Shopping-B-F_D25T-G-D25T-25_9_PORTABLE_POWER-Multi-NA-Feed-PLA-NA-NA-PortablePower_PLA&cm_mmc=Shopping-B-F_D25T-G-D25T-25_9_PORTABLE_POWER-Multi-NA-Feed-PLA-NA-NA-PortablePower_PLA-71700000034127218-58700003933021540-92700051577220114&gclid=EAIaIQobChMIzvbCml_-7AIVFkmGCh31KA8iEAQYASABEgK1pFD_BwE&gclsrc=aw.ds (Year: 2020).*

“Mebak 3 Massage Gun Review,” Aug. 12, 2020, downloaded on Nov. 9, 2020, from <https://massagegunfight.com/mebak-3-massage-gun-review/>, 9 pages.

“Massager Gun Deep Tissue Percussion Muscle Massage for Pain Relief, Super Quiet Portable Neck Back Body Relaxation Electric Drill Sport Massager Brushless Motor with 7 Attachment 5 Speeds Mebak3,” downloaded on Nov. 9, 2020, from <https://www.amazon.com/Massager-Percussion-Handheld-Portable-Brushless/dp/B083BY3B2T?th=1>, 1 page.

* cited by examiner

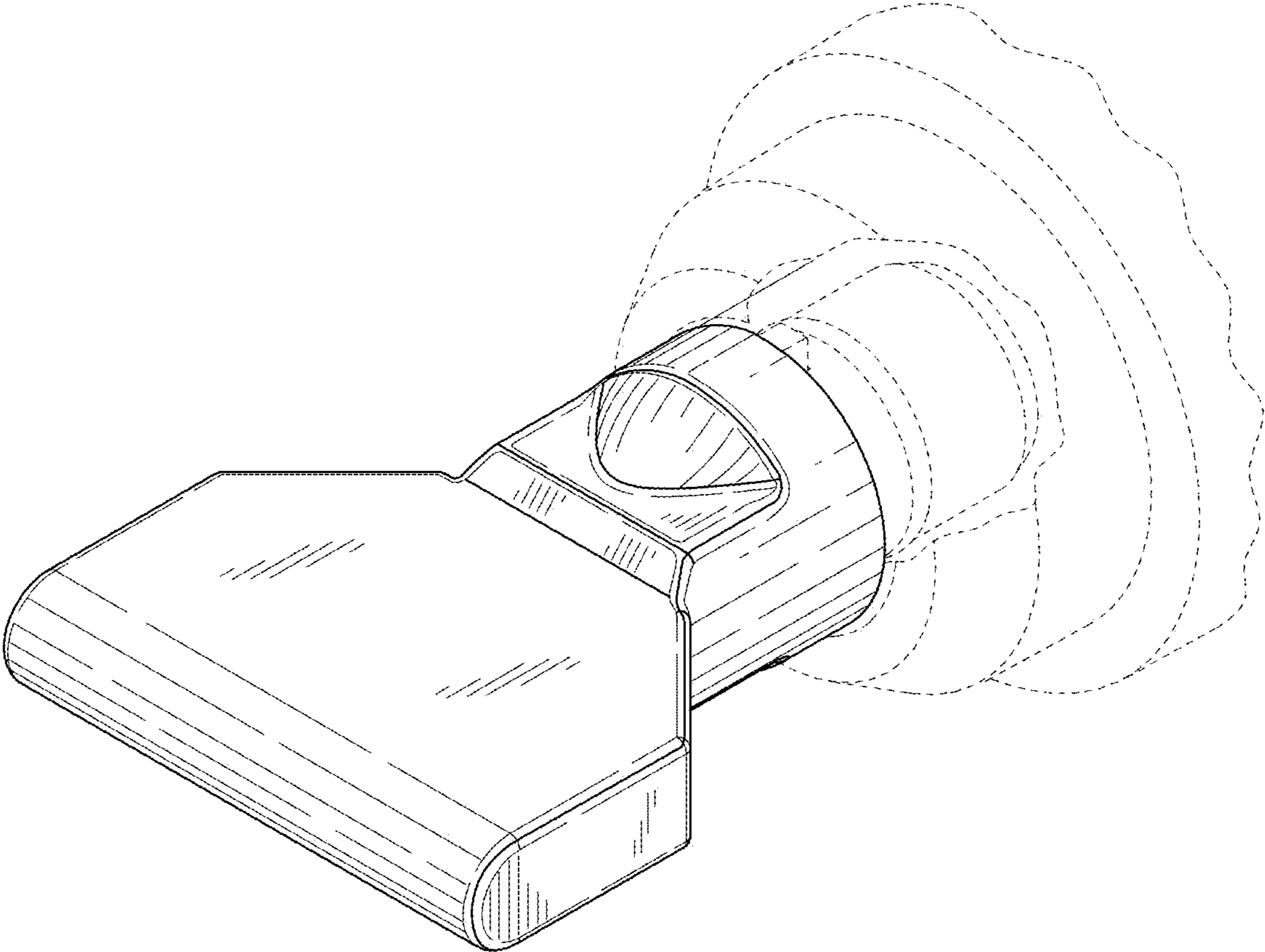


FIG. 1

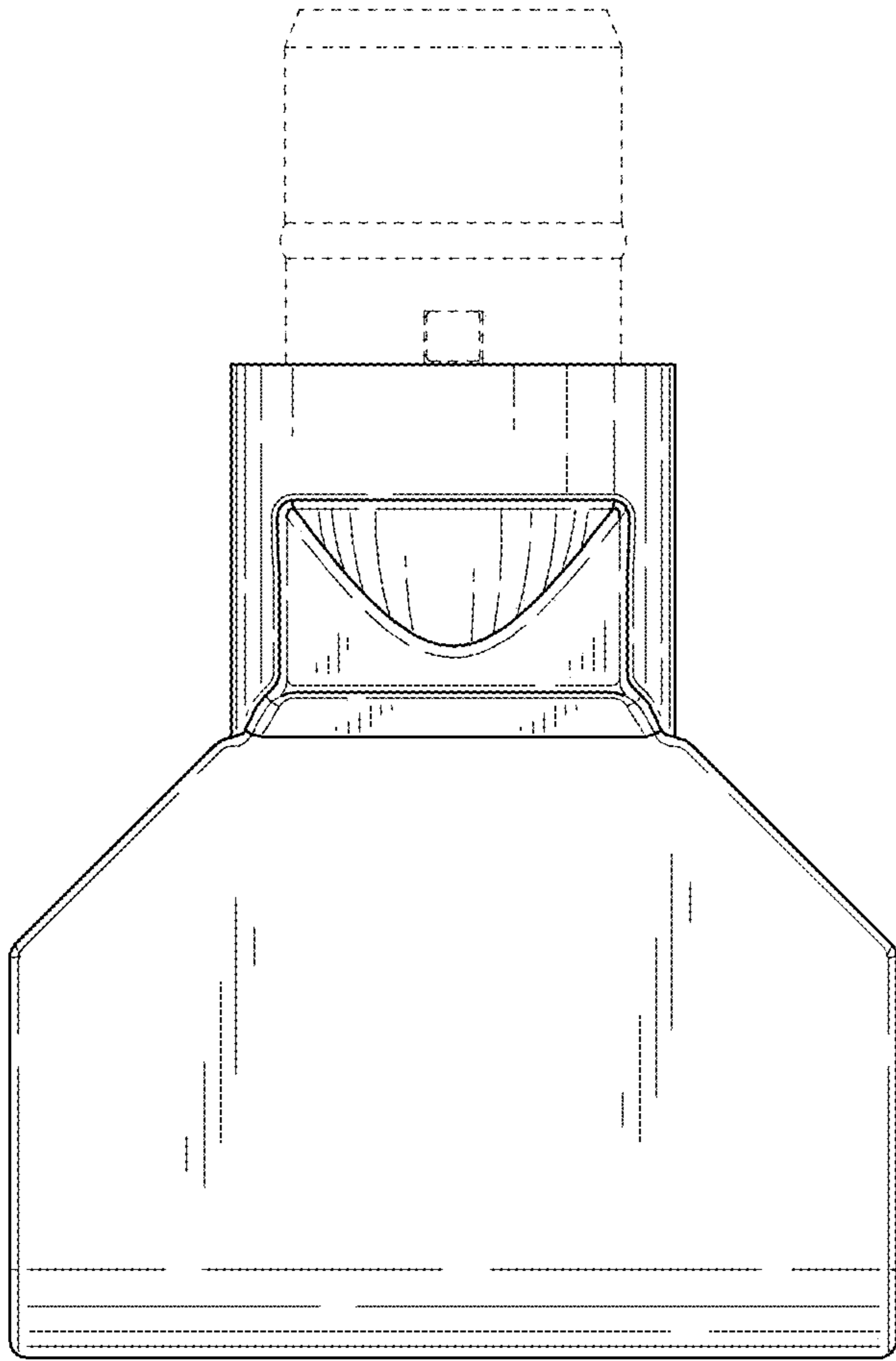


FIG. 2

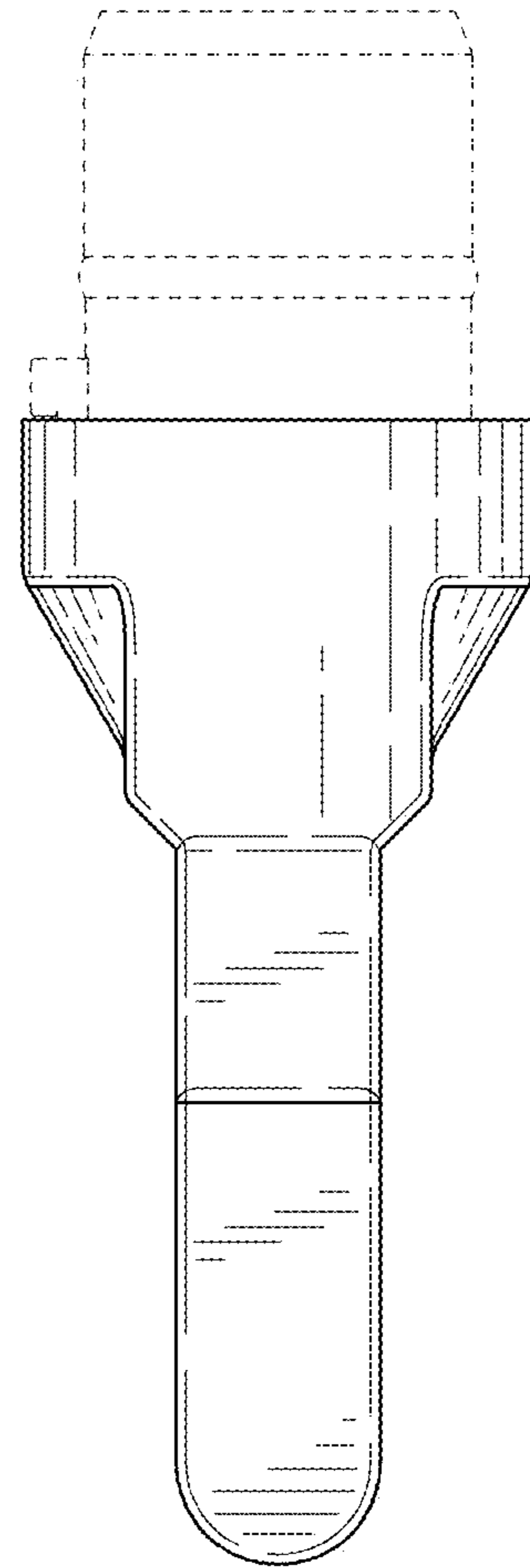


FIG. 3

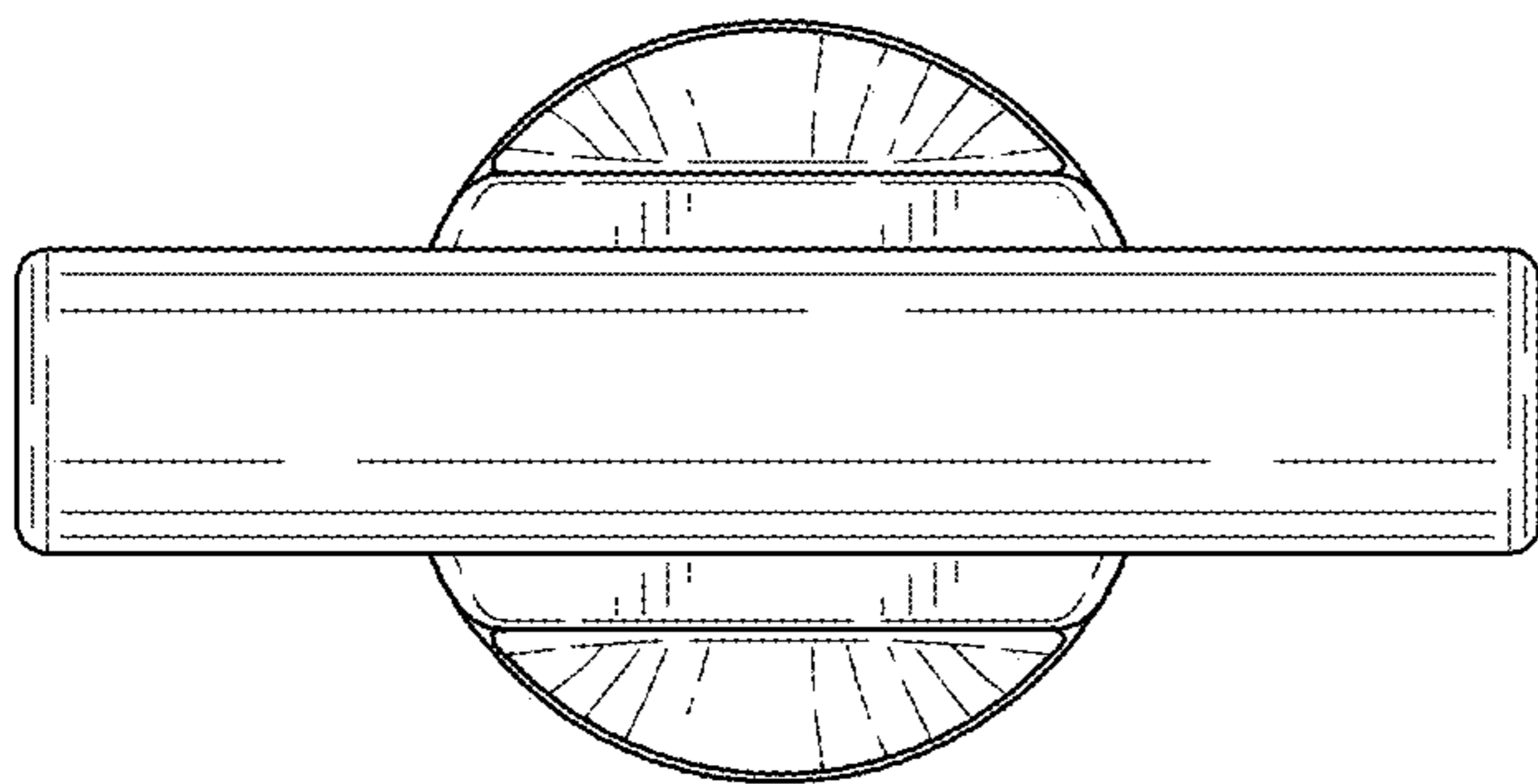


FIG. 4

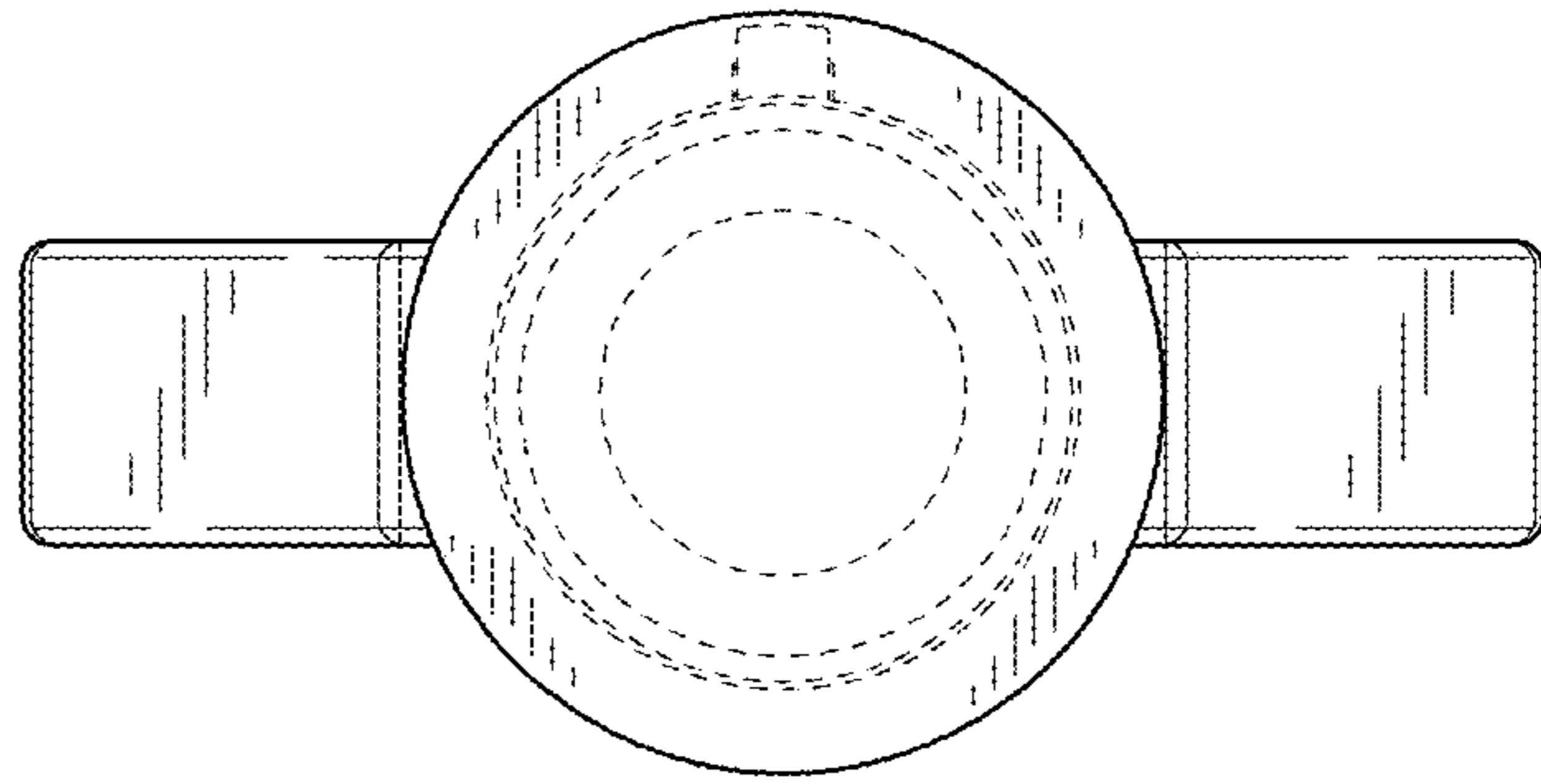


FIG. 5

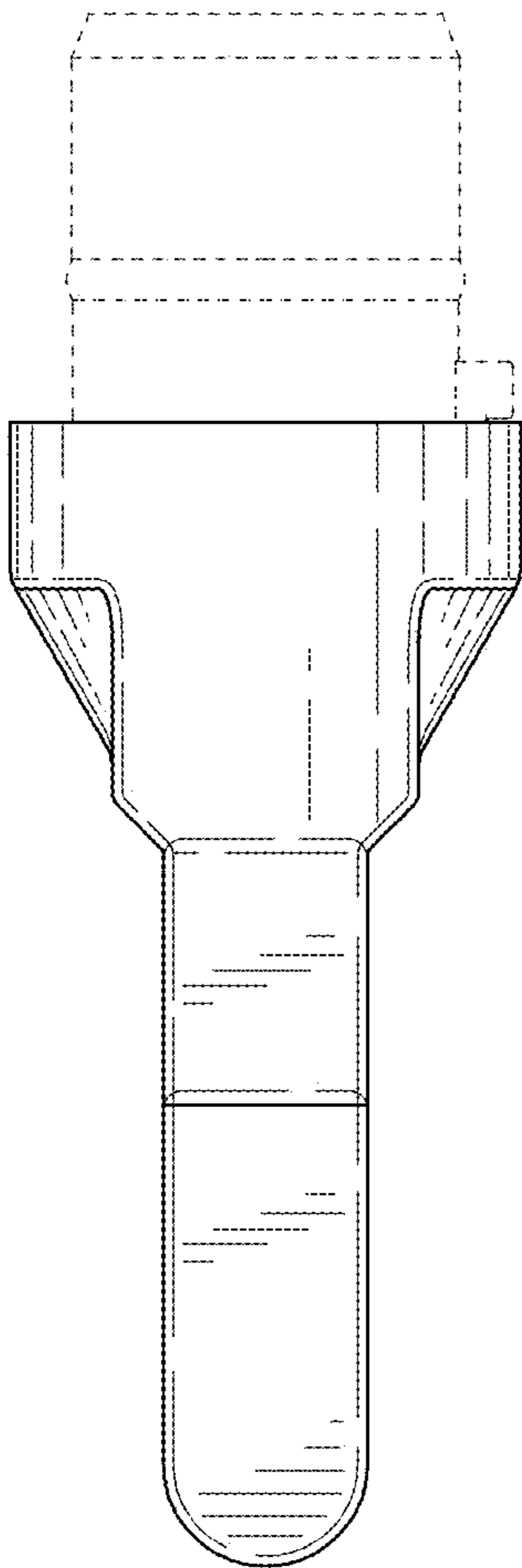


FIG. 6

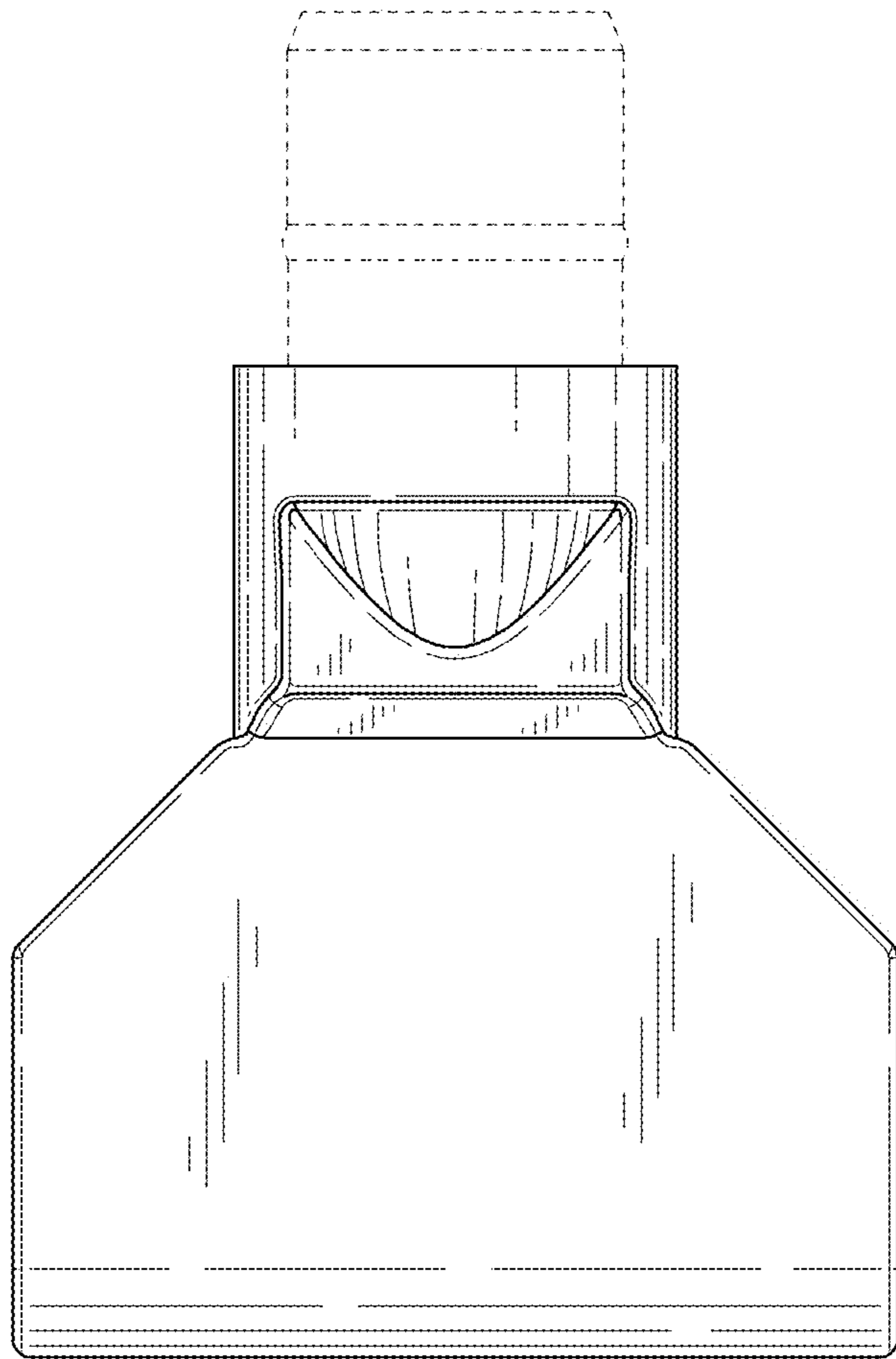


FIG. 7