



US00D961103S

(12) **United States Design Patent**
Hu

(10) **Patent No.:** **US D961,103 S**

(45) **Date of Patent:** **** Aug. 16, 2022**

(54) **MESSAGE GUN**

(71) Applicant: **Zhou Hu**, Yongkang (CN)

(72) Inventor: **Zhou Hu**, Yongkang (CN)

(**) Term: **15 Years**

(21) Appl. No.: **29/747,286**

(22) Filed: **Aug. 21, 2020**

(51) **LOC (13) Cl.** **28-03**

(52) **U.S. Cl.**
USPC **D24/215**

(58) **Field of Classification Search**
USPC D24/215, 200, 211, 212, 213, 214, 133,
D24/107, 231, 184; D8/14.1, 61;
D28/12, 13; D26/125; D9/666, 544;
D3/202
CPC A61H 15/00; A61H 15/0092; A61H
15/0078; A61H 15/0085; A61H
2015/0007; A61H 2015/0042; A61H
2201/0153; A61H 7/00; A61H 7/003;
A61H 7/004; A61H 7/005; A61H 9/00;
A61H 2205/06

See application file for complete search history.

(56) **References Cited**

U.S. PATENT DOCUMENTS

D371,743 S *	7/1996	Wacker	D9/569
D377,087 S *	12/1996	Schurig	D24/104
D396,239 S *	7/1998	Hsieh	D15/146
D426,668 S *	6/2000	Hollinger	D26/125
D464,746 S *	10/2002	Yu	D26/26
D608,897 S *	1/2010	Cole	D24/200
D830,570 S *	10/2018	Matsushita	D24/215
D866,790 S *	11/2019	Lee	D24/215
D872,869 S *	1/2020	Lu	D24/215

D876,659 S *	2/2020	Wang	D24/215
D880,718 S *	4/2020	Matsushita	D24/215
D898,209 S *	10/2020	Xu	D24/214
2020/0352821 A1 *	11/2020	Wersland	A61H 23/006

OTHER PUBLICATIONS

Theragun Mini—Percussive Massage Gun. Date: Jul. 7, 2020. [online]. [Site visited May 20, 2022], Available from Internet URL: <https://www.amazon.co.uk/dp/B0881C2G74/?th=1> (Year: 2020).*
Massagers. (Design—© Questel) orbit.com. [Online PDF compilation of references] 34 pgs. Print Dates Range Dec. 21, 2016-Dec. 8, 2020 [Retrieved May 20, 2022] <https://www.orbit.com/export/UCZAH96B/pdf4/5627b00b-c318-40d4-aa14-18dda369365b-215142.pdf> (Year: 2022).*

* cited by examiner

Primary Examiner — Susan Bennett Hattan
Assistant Examiner — Landon Thomas Cassell

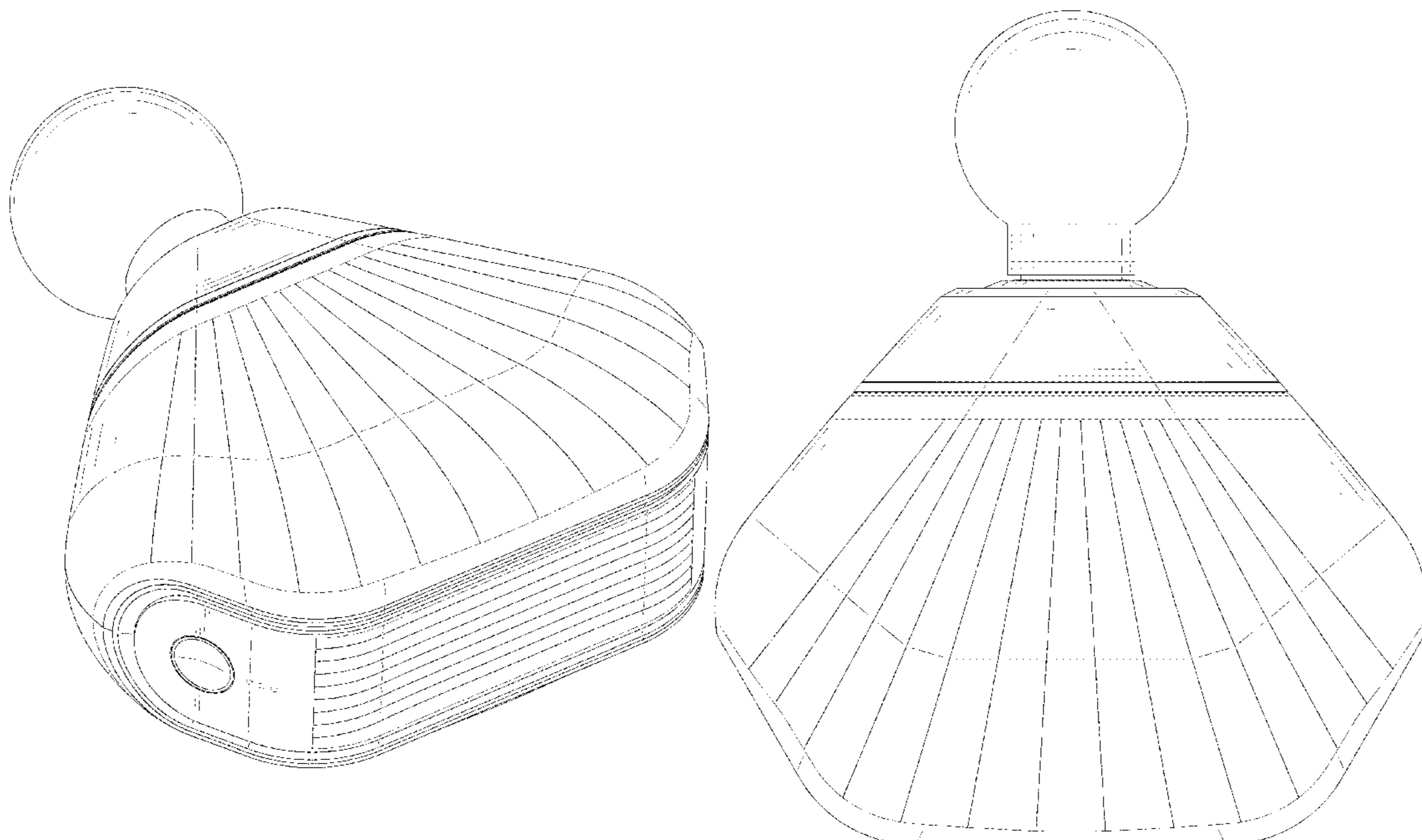
(57) **CLAIM**

The ornamental design for a massage gun, as shown and described.

DESCRIPTION

FIG. 1 is a perspective view of a massage gun showing my new design;
FIG. 2 is another perspective view thereof;
FIG. 3 is a front elevational view thereof;
FIG. 4 is a rear elevational view thereof;
FIG. 5 is a left side elevational view thereof;
FIG. 6 is a right side elevational view thereof;
FIG. 7 is a top plan view thereof; and,
FIG. 8 is a bottom plan view thereof.
The broken lines in the drawings depict portions of the massage gun that form no part of the claimed design.

1 Claim, 8 Drawing Sheets



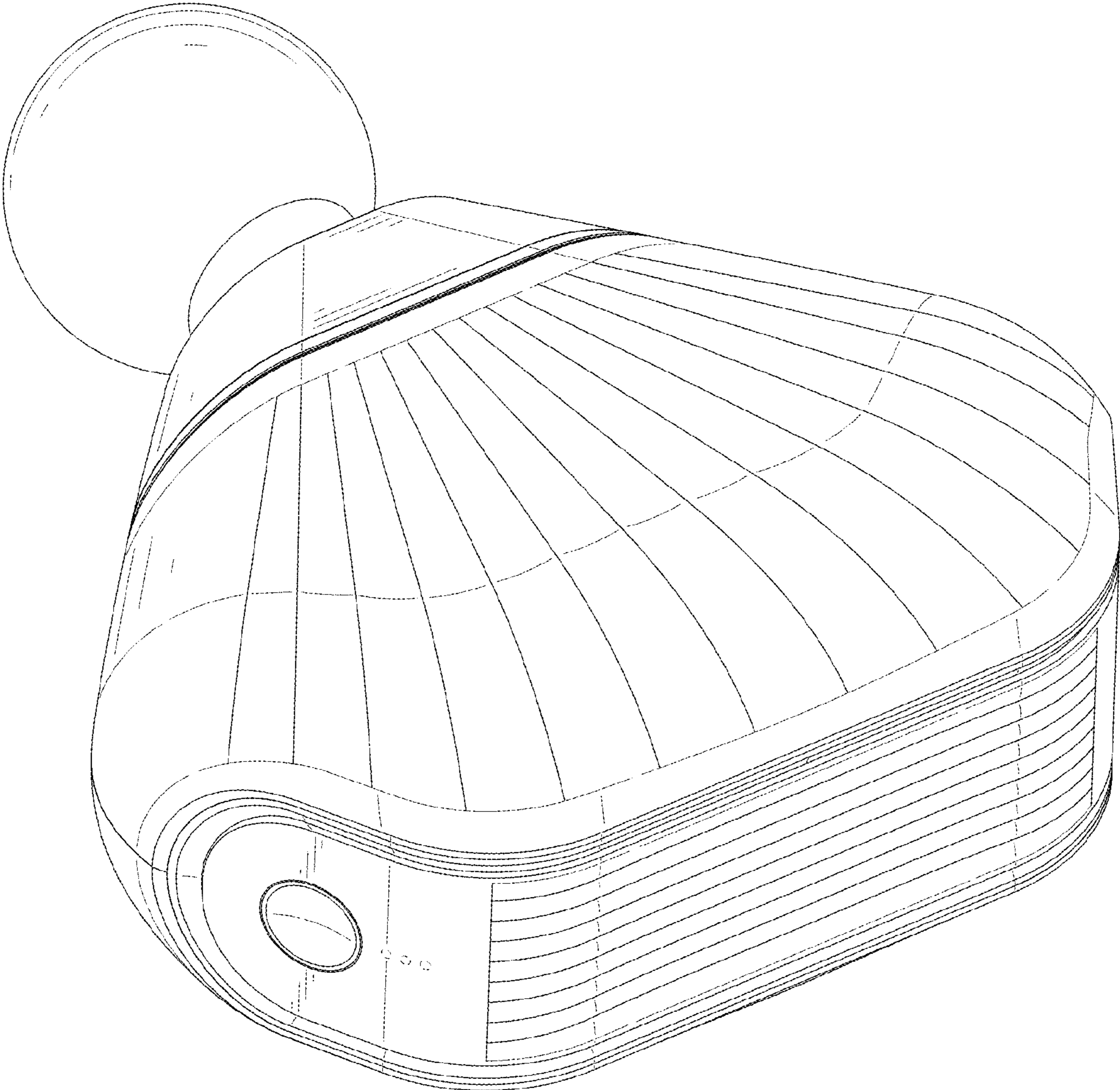


FIG. 1

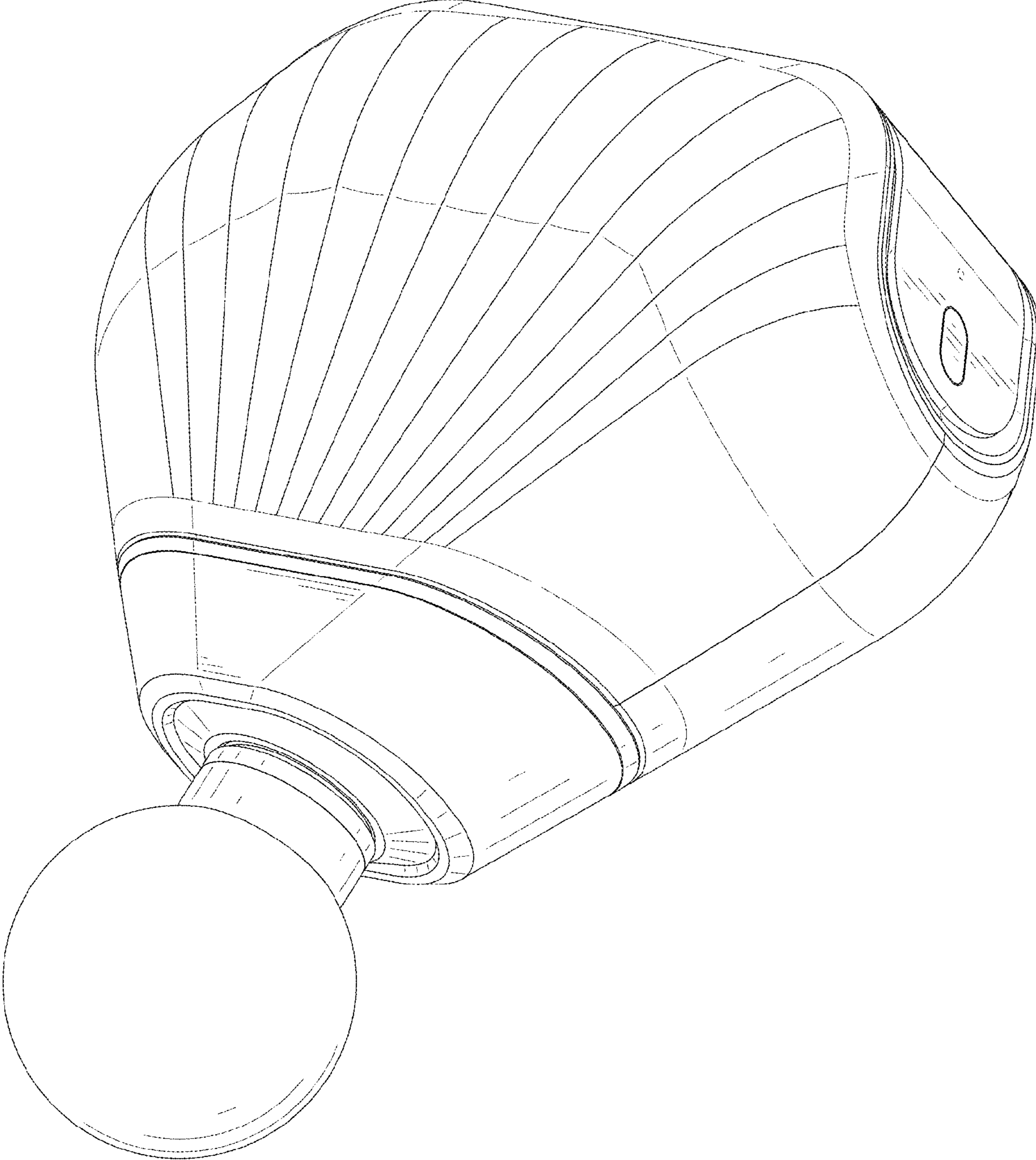


FIG. 2

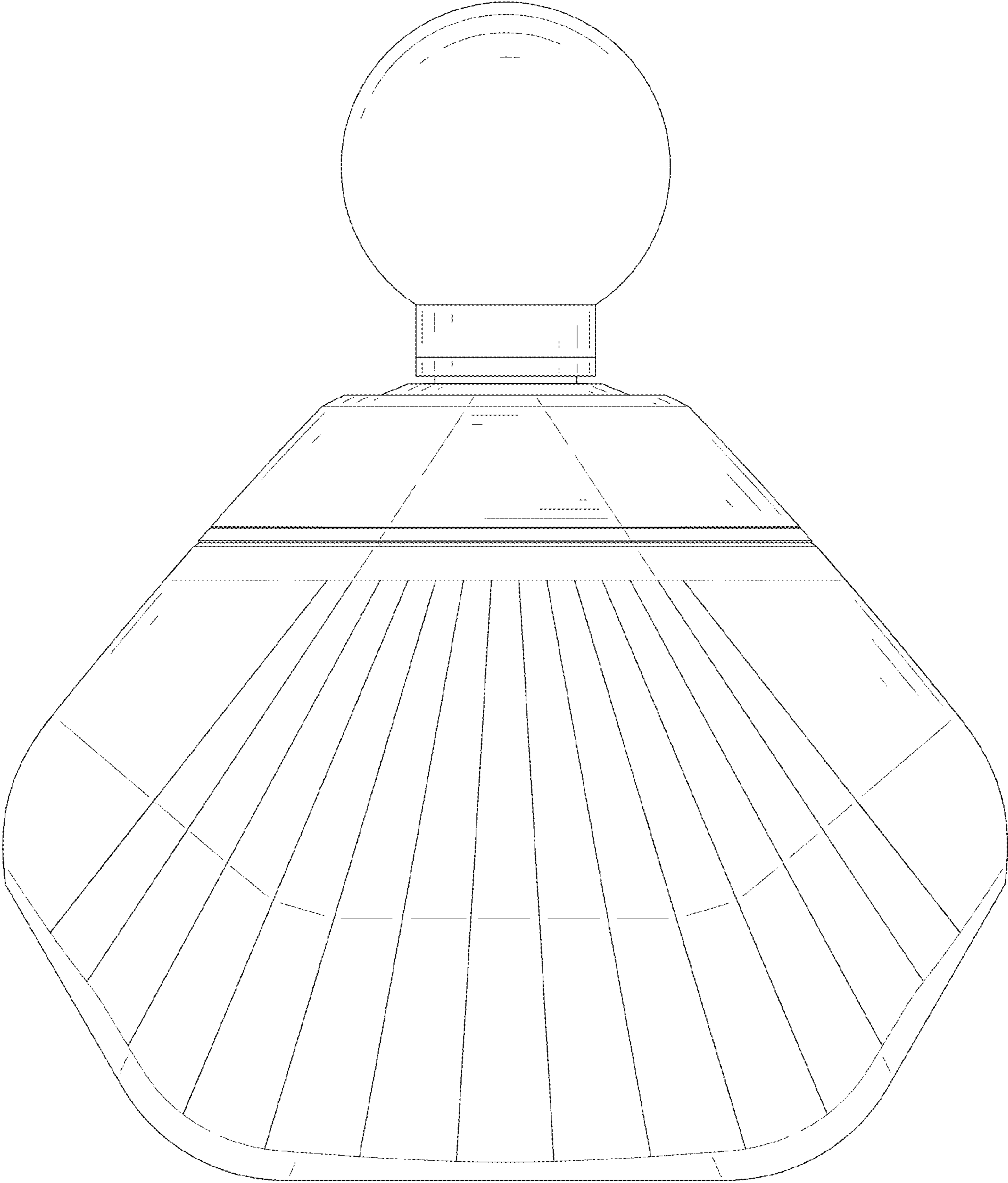


FIG. 3

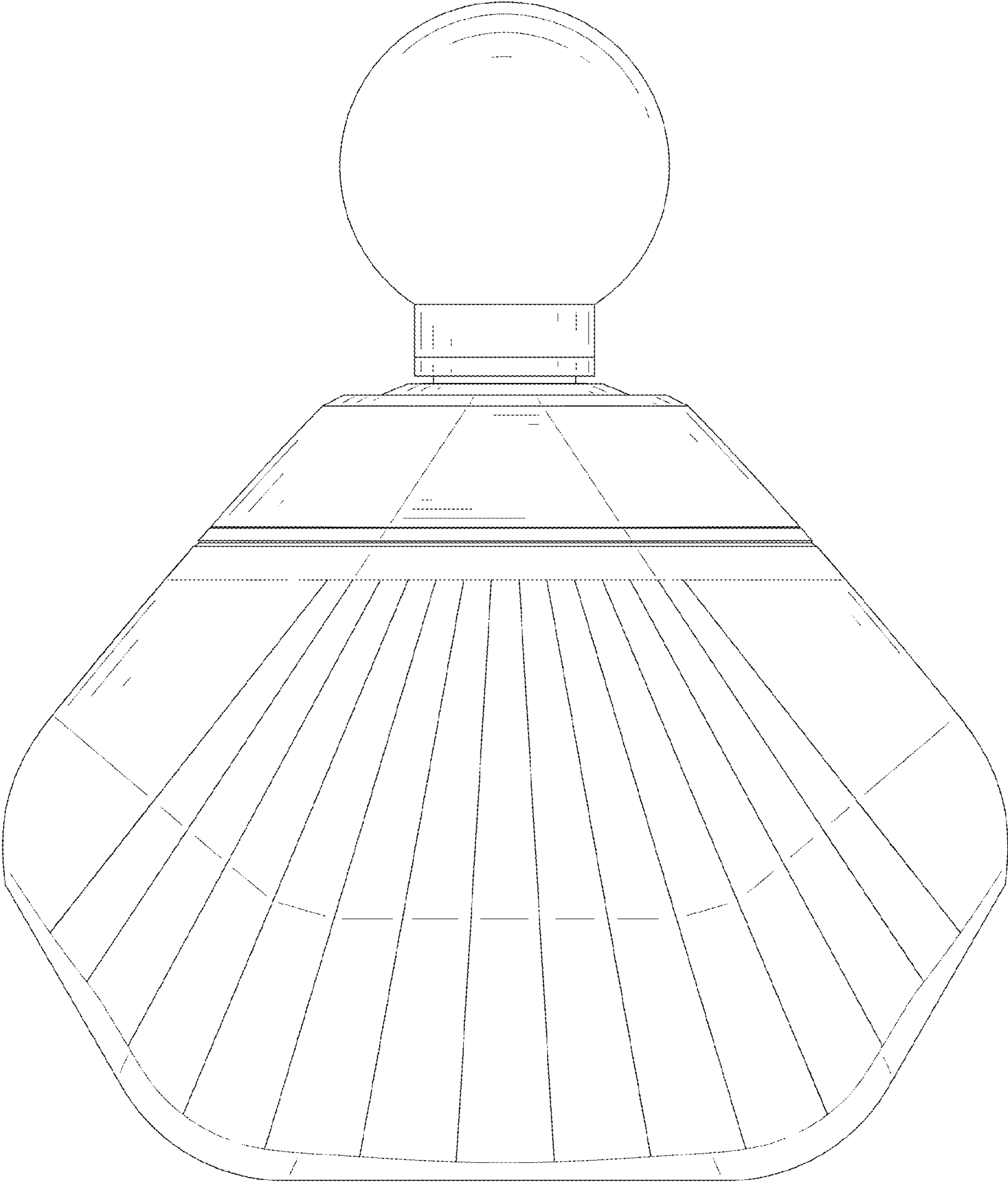


FIG. 4

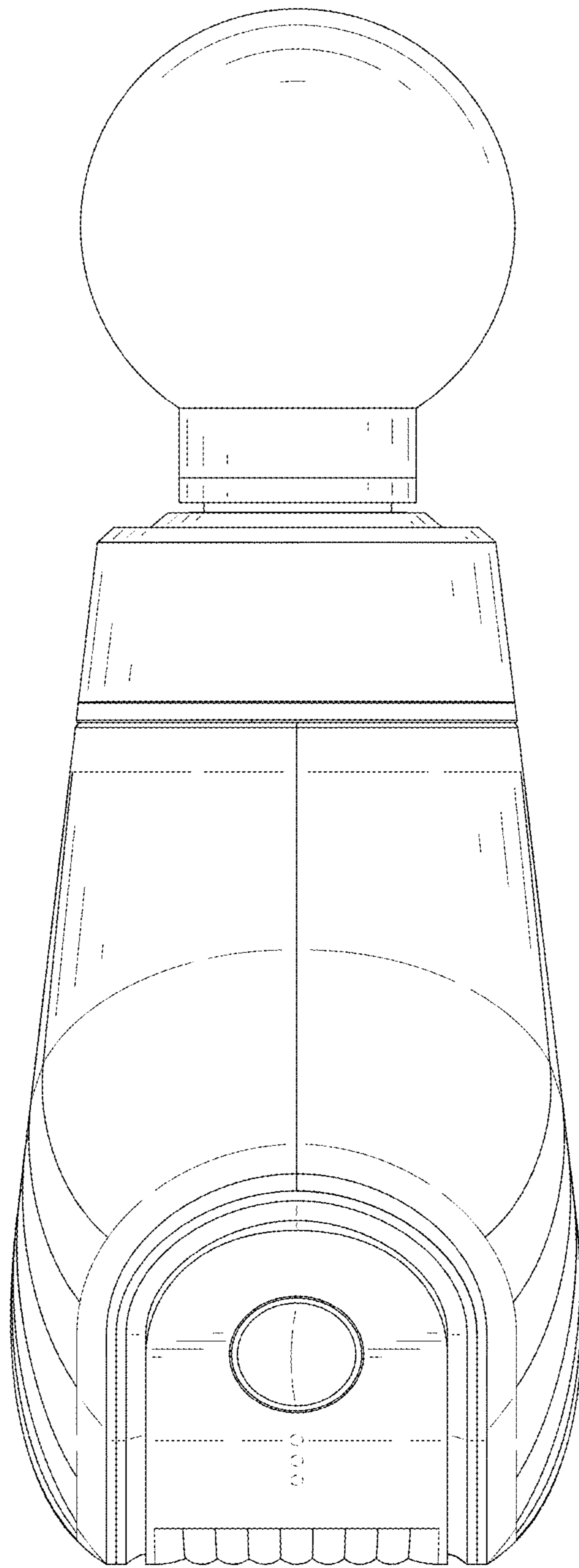


FIG. 5

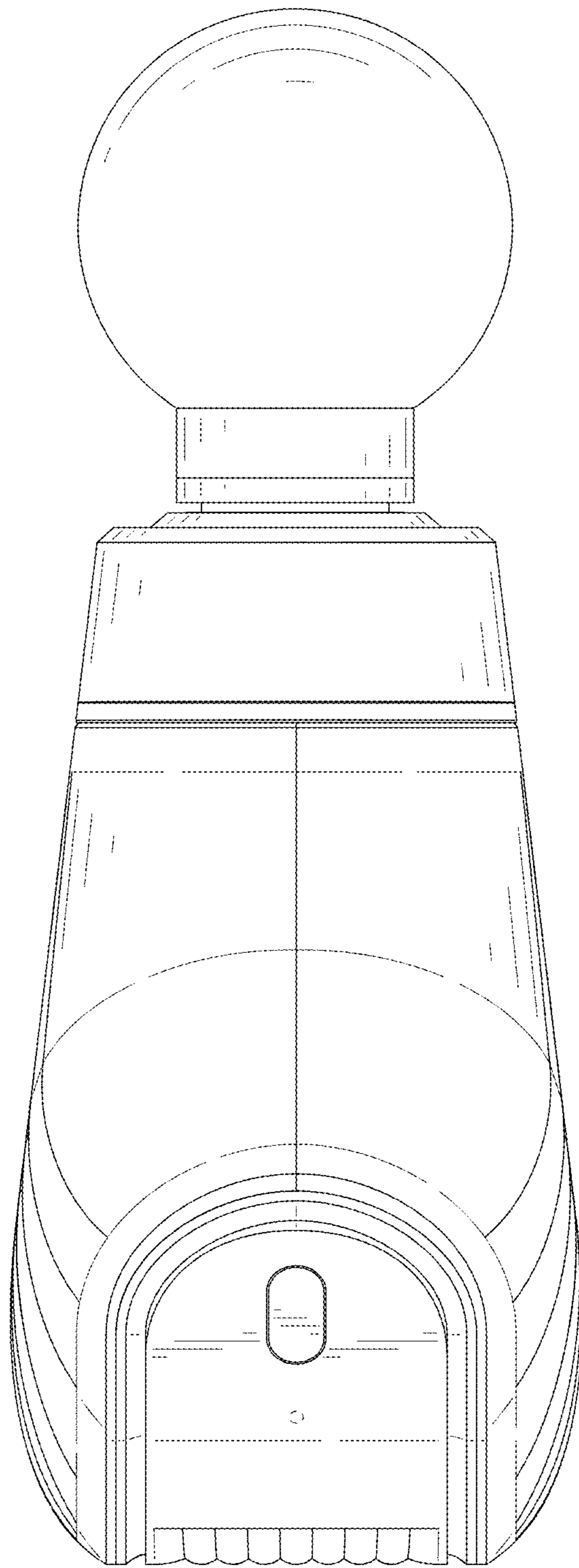


FIG. 6

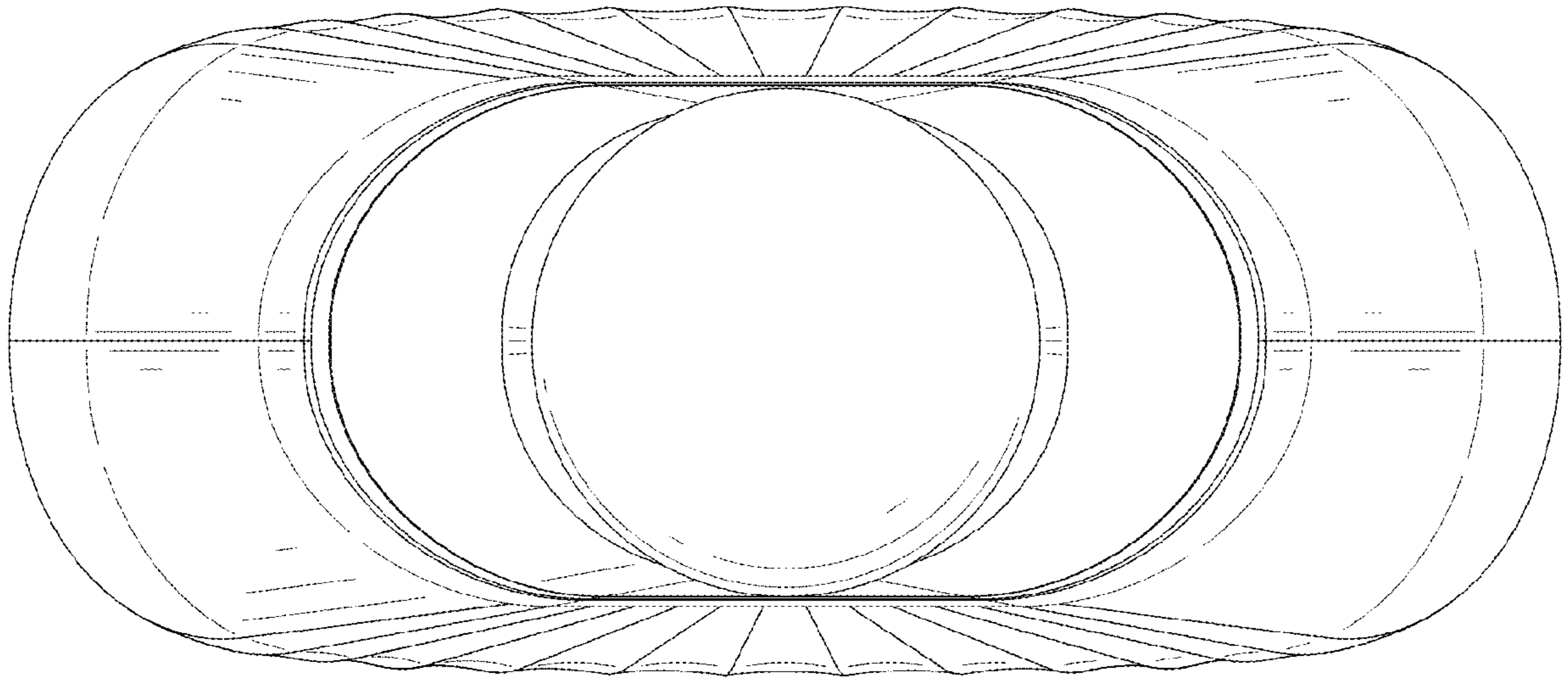


FIG. 7

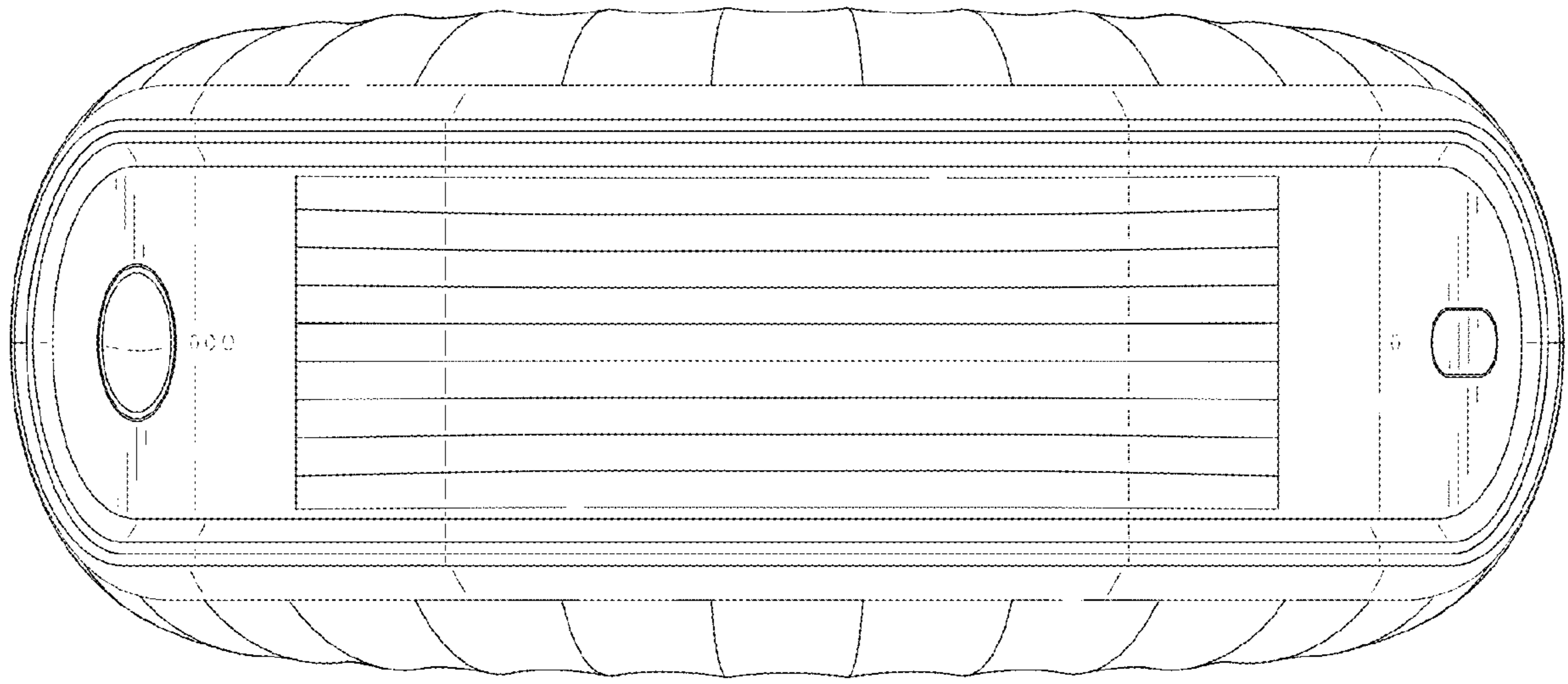


FIG. 8