



US00D961102S

(12) **United States Design Patent**
Zhou

(10) **Patent No.:** **US D961,102 S**

(45) **Date of Patent:** **** Aug. 16, 2022**

(54) **FACIAL SPATULA**

(71) Applicant: **Shenzhen XiaobaiMaijia Networks Technology Co., Ltd, Shenzhen (CN)**

(72) Inventor: **Dachuan Zhou, Gaobeidian (CN)**

(**) Term: **15 Years**

(21) Appl. No.: **29/776,747**

(22) Filed: **Mar. 31, 2021**

(51) **LOC (13) Cl.** **28-03**

(52) **U.S. Cl.**

USPC **D24/214**

(58) **Field of Classification Search**

USPC D24/215, 211, 212, 213, 214, 107, 231,
D24/133, 146, 147; D28/7, 44, 45, 48,
D28/57, 99, 44.1; D14/480.1, 480.2,
D14/480.3, 480.4, 480.5, 480.6, 480.7,
D14/435.1; D32/46; D27/141

CPC A61B 2017/320008; A61B 2017/320012;
A61B 17/1659; A61B 2018/00452; A45D
26/0004; A45D 29/00; A61H 2201/0153;
A61H 15/0085; A61H 2205/022; A61N
5/0617

See application file for complete search history.

(56) **References Cited**

U.S. PATENT DOCUMENTS

D446,511 S *	8/2001	Kanno	D14/167
D500,301 S *	12/2004	Deguchi	D14/480.4
D502,166 S *	2/2005	Nakamura	D14/480.5
D566,707 S *	4/2008	Patton	D14/480.2
7,568,942 B1 *	8/2009	Lannon	H01R 13/5213 439/136
D641,875 S *	7/2011	Eichel	D24/147
D708,784 S *	7/2014	Kim	D28/7
D812,295 S	3/2018	Staab		
D852,413 S	6/2019	Staab		
D882,807 S *	4/2020	Xiong	D24/214
D908,233 S *	1/2021	Zhou	D24/214

D908,711 S *	1/2021	Zhou	D14/480.7
D914,898 S	3/2021	Britt et al.		
D935,612 S *	11/2021	Levy	D24/146
2018/0333323 A1 *	11/2018	Hanson	A61H 7/003

OTHER PUBLICATIONS

Gugug—Skin Spatula. Date: Not Listed. [online]. [Site visited Dec. 2, 2021]. Available from Internet URL: <https://www.u-buy.jp/en/product/10JEMORX0-gugug-skin-spatula-skin-scrubber-blackhead-remover-pore-cleaner-with-4-modes-portable-usb-rechargeable-facial-cleansing-beauty-lifting-tool-2> (Year: NA).*

Tmishion—Face Scraper. Date: Sep. 3, 2020. [online]. [Site visited Dec. 3, 2021]. Available from Internet URL: <https://www.amazon.co.uk/dp/B08HDJ5N9P/?th=1> (Year: 2020).*

SanDisk—Cruzer Glide. Date: Apr. 6, 2012. [online]. [Site visited Dec. 6, 2021]. Available from Internet URL: <https://www.amazon.com/dp/B007YX9O9E/?th=1> (Year: 2012).*

(Continued)

Primary Examiner — Susan Bennett Hattan

Assistant Examiner — Landon Thomas Cassell

(74) *Attorney, Agent, or Firm* — Whitewood Law PLLC;
Shengmao Mu

(57) **CLAIM**

What is claimed is an ornamental design for a facial spatula, as shown and described.

DESCRIPTION

FIG. 1 is a front view of a facial spatula showing my new design;

FIG. 2 is a rear view thereof;

FIG. 3 is a left side view thereof;

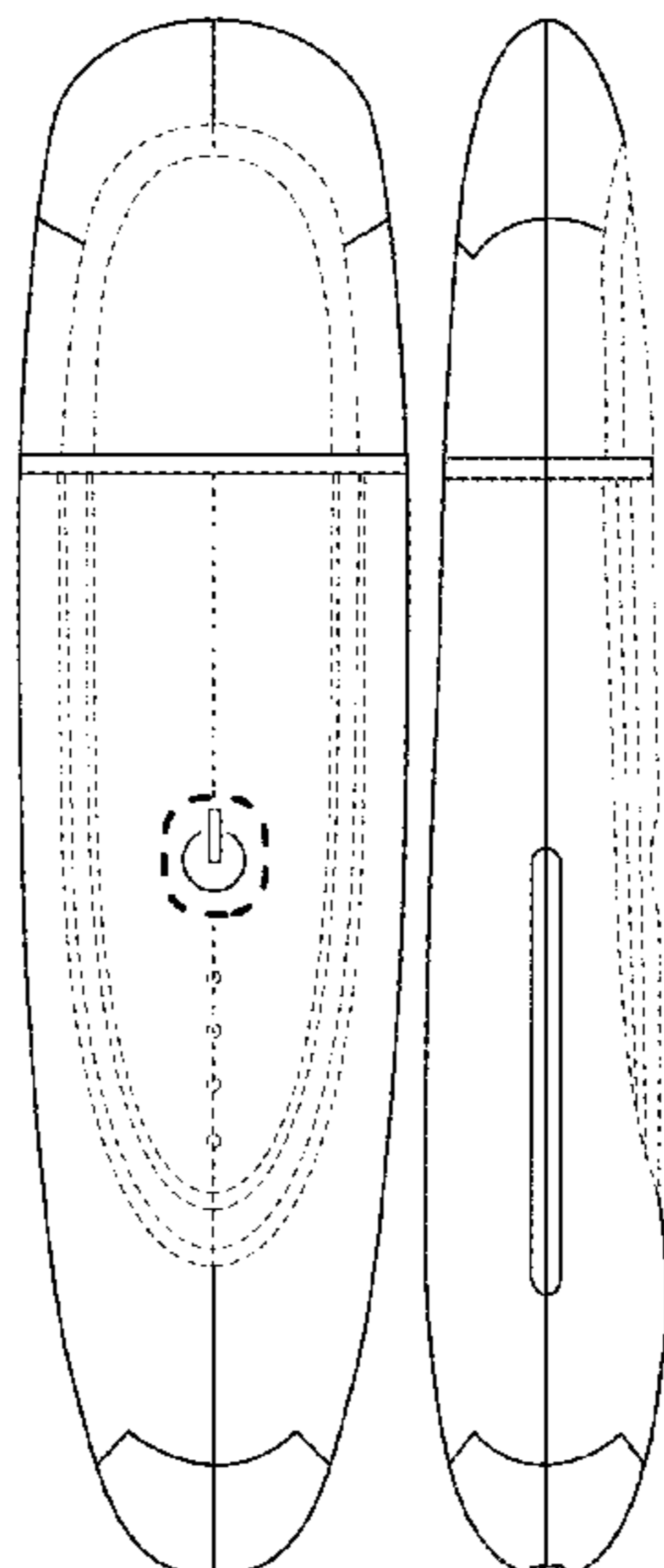
FIG. 4 is a right side view thereof;

FIG. 5 is a top view thereof; and,

FIG. 6 is a bottom view thereof.

The broken lines shown in FIGS. 1-6 depict portions of the facial spatula that form no part of the claimed design.

1 Claim, 2 Drawing Sheets



(56)

References Cited

OTHER PUBLICATIONS

Facial cleansers. (Design—© Questel) orbit.com. [Online PDF compilation of references selected] 31 pgs. Print Dates Range Jul. 20, 2018-Jan. 3, 2020 [Retrieved Dec. 8, 2021] <https://www.orbit.com/export/UCZAH96B/pdf4/8c25800b-e1f5-485b-a88f-ecc45815df07-195639.pdf> (Year: 2021).*

* cited by examiner

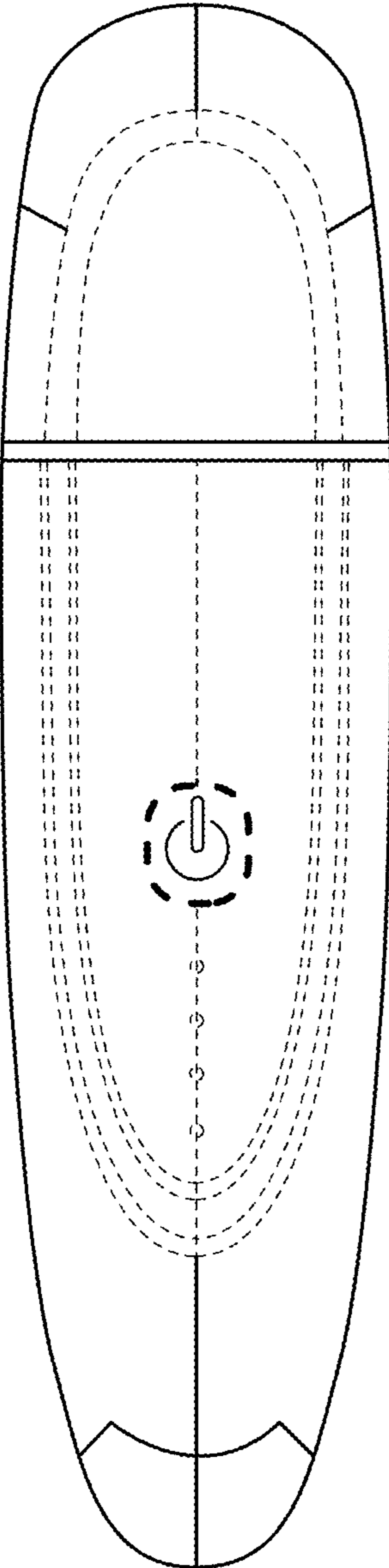


FIG. 1

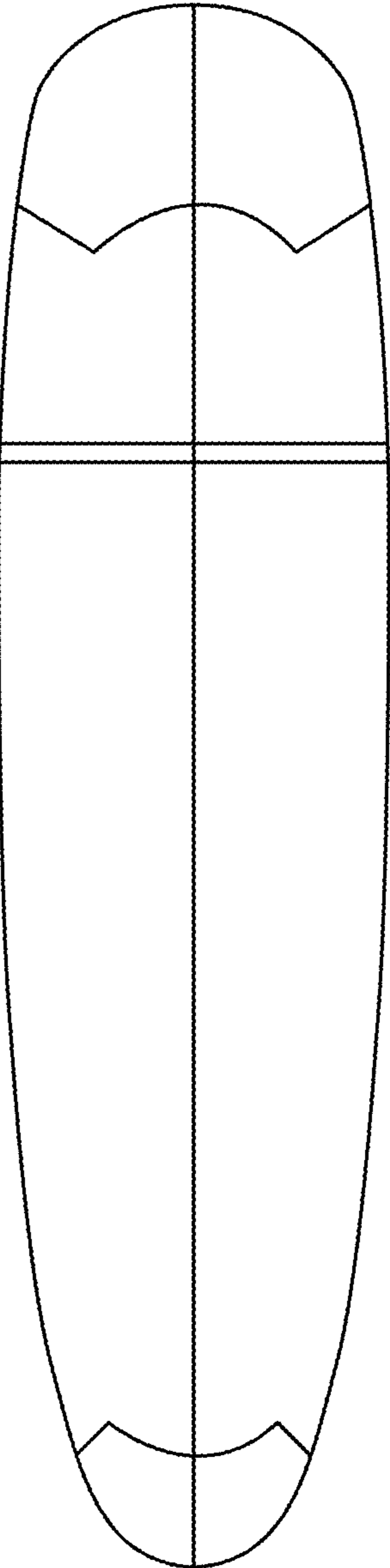


FIG. 2

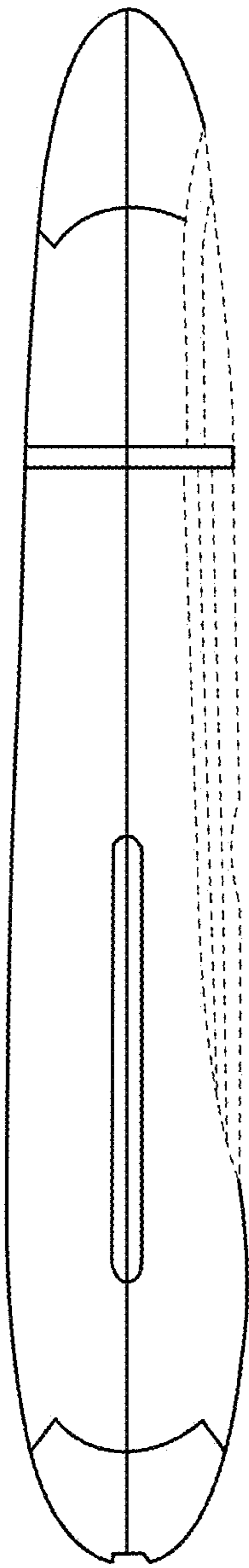


FIG. 3

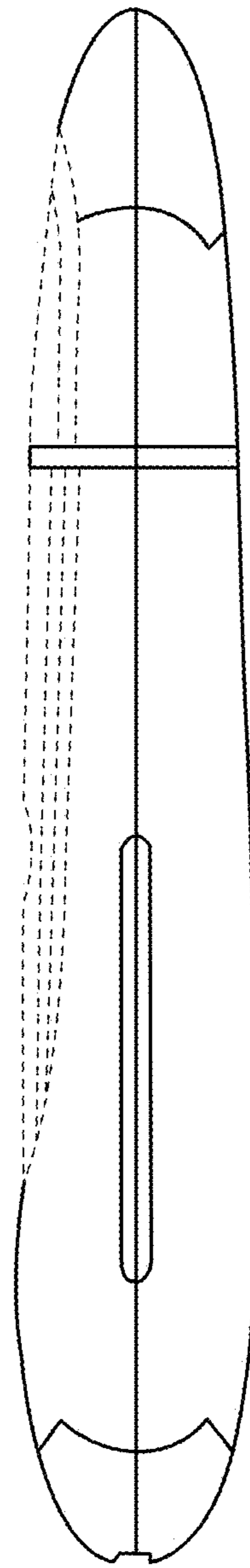


FIG. 4

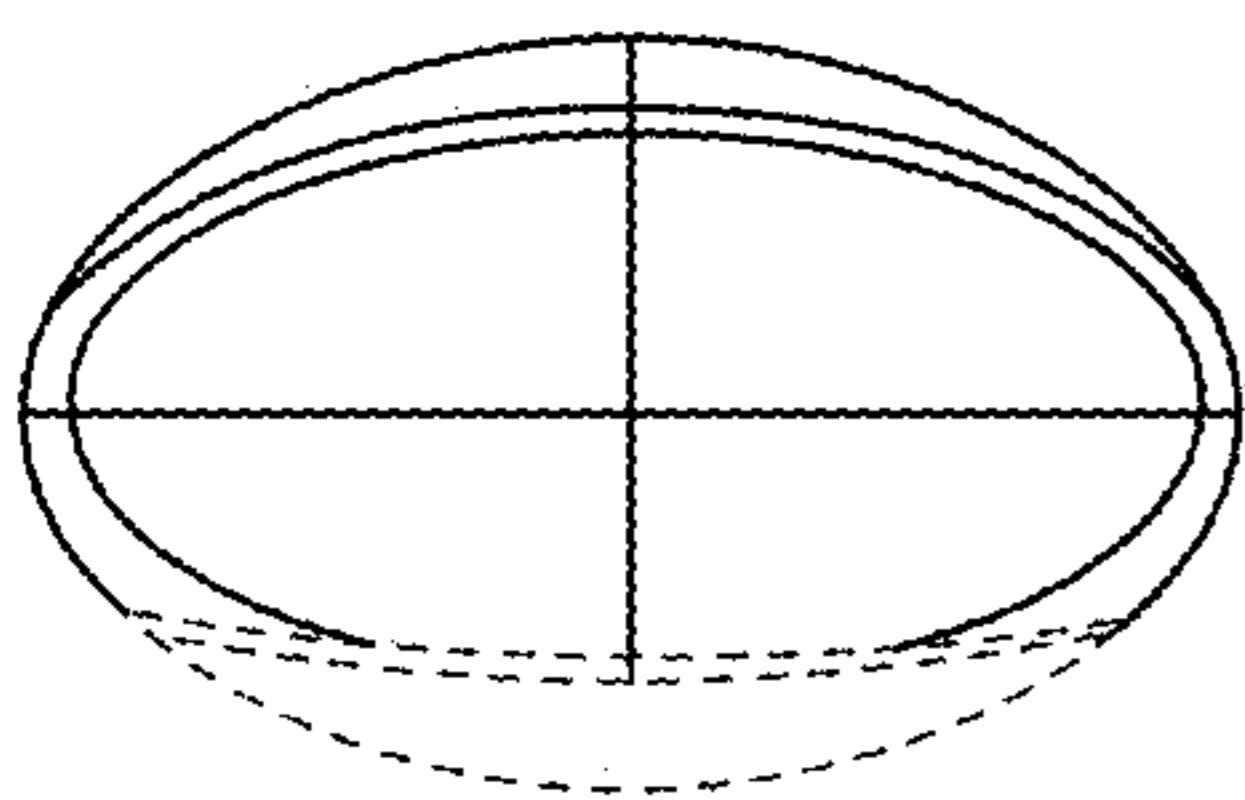


FIG. 5

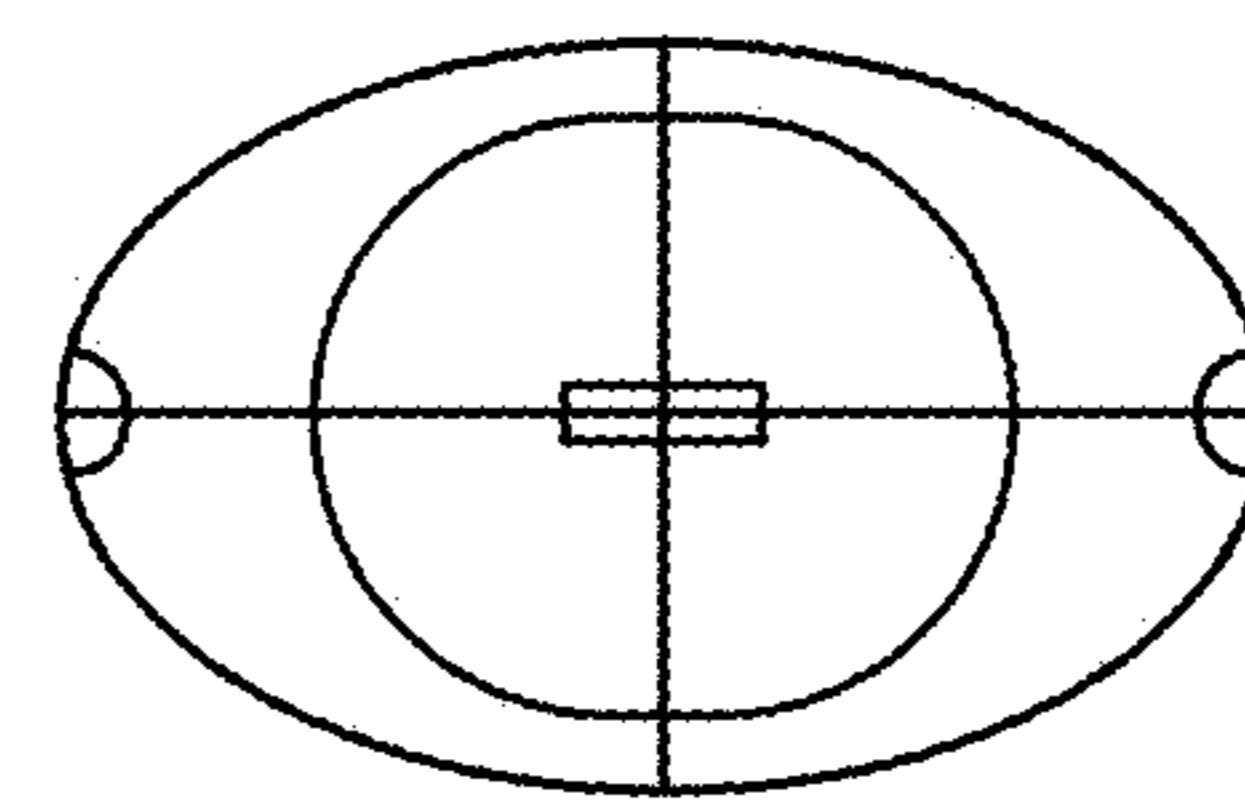


FIG. 6