



US00D961101S

(12) **United States Design Patent**  
**Li et al.**

(10) **Patent No.:** **US D961,101 S**

(45) **Date of Patent:** **\*\* Aug. 16, 2022**

(54) **MASSAGER**

(71) Applicant: **JIFENG TECHNOLOGY CO., LIMITED**, Hong Kong (CN)

(72) Inventors: **Min Li**, Fuyang (CN); **Xiaojuan Zhang**, Fuyang (CN); **Shenghui Zhang**, Fuyang (CN)

(73) Assignee: **JIFENG TECHNOLOGY CO., LIMITED**, Hong Kong (CN)

(\*\*) Term: **15 Years**

(21) Appl. No.: **29/809,847**

(22) Filed: **Sep. 30, 2021**

(30) **Foreign Application Priority Data**

Aug. 27, 2021 (CN) ..... 202130562109.5

(51) **LOC (13) Cl.** ..... **28-03**

(52) **U.S. Cl.**  
USPC ..... **D24/211**

(58) **Field of Classification Search**

USPC ..... D24/215, 200, 211, 212, 213, 214, 133,  
D24/107, 231, 184; D8/300, 303, 313,  
D8/315, 316, 318, 317; D7/673

CPC ..... A61H 15/00; A61H 2015/0007; A61H  
2015/0042; A61H 15/0092; A61H  
15/0078; A61H 15/0085; A61H 23/00;  
A61H 23/006; A61H 2023/002; A61H  
23/02; A61H 7/00; A61H 7/003; A61H  
2015/0014; A61H 2015/0021; A61H  
2015/0028; A61H 2015/0035

See application file for complete search history.

(56) **References Cited**

**U.S. PATENT DOCUMENTS**

D246,411 S \* 11/1977 Blanchard ..... D7/673  
D478,997 S 8/2003 Viner

D491,271 S \* 6/2004 Siegfried ..... D24/212  
D521,819 S \* 5/2006 So ..... D7/673  
D548,849 S \* 8/2007 Huang ..... D24/211  
D688,380 S \* 8/2013 Nelson ..... D24/211  
D718,096 S \* 11/2014 Smith ..... D7/673  
D814,887 S \* 4/2018 Schultz ..... D7/673

(Continued)

**OTHER PUBLICATIONS**

Readaer—Round Leg Massage Roller. Date: Not listed. [online]. [Site visited Apr. 20, 2022]. Available from Internet URL: <https://carbootinbox.com/products/readaer-round-leg-massage-roller-muscle-massager-for-leg-neck-arm-and-foot> (Year: NA).\*

(Continued)

*Primary Examiner* — Susan Bennett Hattan  
*Assistant Examiner* — Landon Thomas Cassell

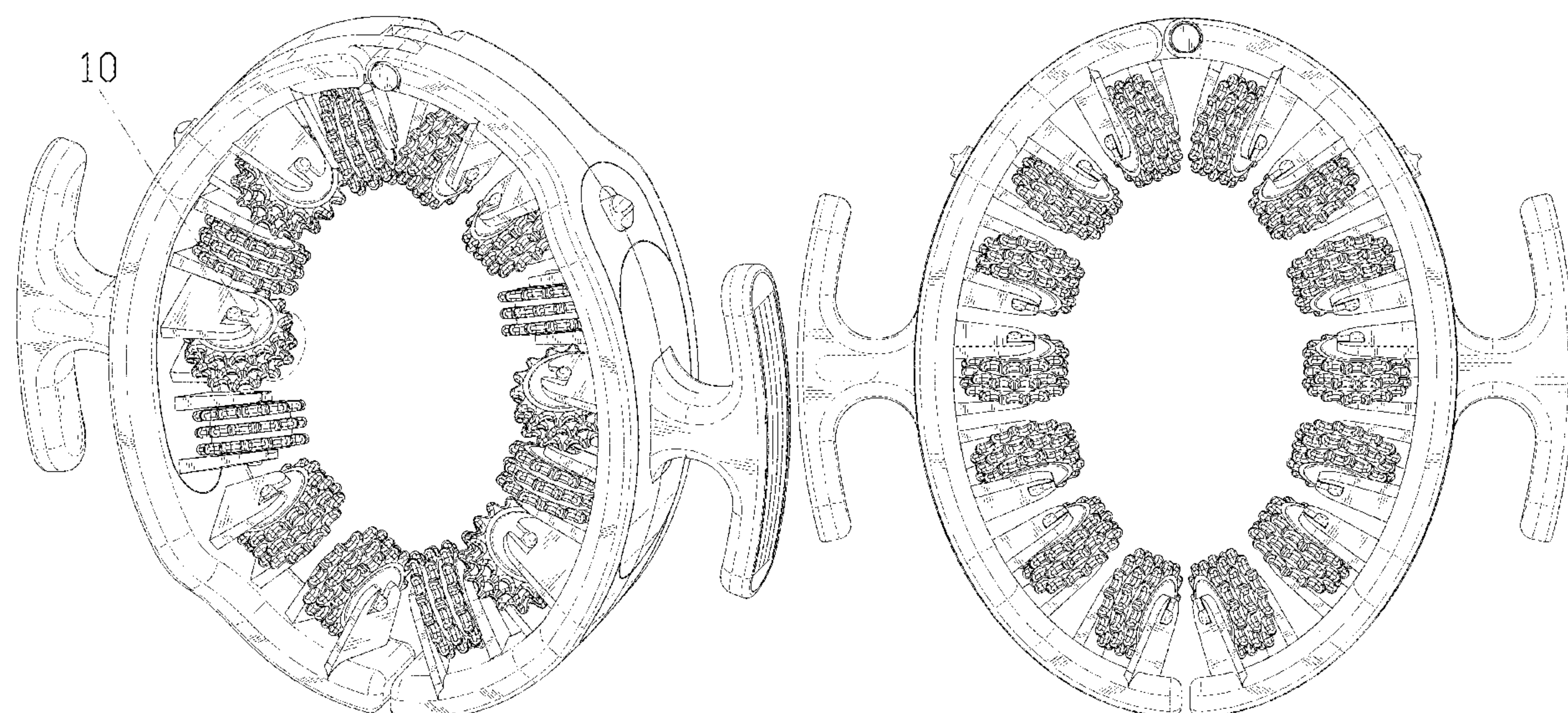
(57) **CLAIM**

The ornamental design for a massager, as shown and described.

**DESCRIPTION**

FIG. 1 is a perspective view of a massager showing our new design;  
FIG. 2 is another perspective view thereof;  
FIG. 3 is a front elevational view thereof;  
FIG. 4 is a rear elevational view thereof;  
FIG. 5 is a left side elevational view thereof;  
FIG. 6 is a right side elevational view thereof;  
FIG. 7 is a top plan view thereof;  
FIG. 8 is a bottom plan view thereof;  
FIG. 9 is an exploded perspective view of the massager; and,  
FIG. 10 is an enlarged view of portion 10 shown in FIG. 1. The broken lines in the drawings depict portions of the massager that form no part of the claimed design. The dot-dash broken lines represent boundaries of the enlarged portion and form no part of the claimed design.

**1 Claim, 10 Drawing Sheets**



(56)

**References Cited**

U.S. PATENT DOCUMENTS

D891,631 S \* 7/2020 Liu ..... D24/211  
D915,615 S \* 4/2021 Chen ..... D24/211  
2016/0296415 A1\* 10/2016 Cross ..... A61H 15/0092  
2016/0374893 A1\* 12/2016 Johnston ..... A61H 15/0092  
601/131  
2020/0246214 A1\* 8/2020 Nelson ..... A61H 15/00  
2021/0145689 A1\* 5/2021 Cheong ..... A61H 23/0263

OTHER PUBLICATIONS

TESMED—Massager. Date: Mar. 5, 2021. [online]. [Site visited Apr. 20, 2022]. Available from Internet URL: <https://www.amazon.co.uk/dp/B08XQNBZ5F/> (Year: 2021).\*

Massagers. (Design—© Questel) orbit.com. [Online PDF compilation of references] 39 pgs. Print Dates Range Nov. 22, 2019-Jun. 25, 2021 [Retrieved Apr. 22, 2022] <https://www.orbit.com/export/UCZAH96B/pdf4/012fde82-e673-4c3e-a69a-45b5fc30ef30-152857.pdf> (Year: 2022).\*

\* cited by examiner



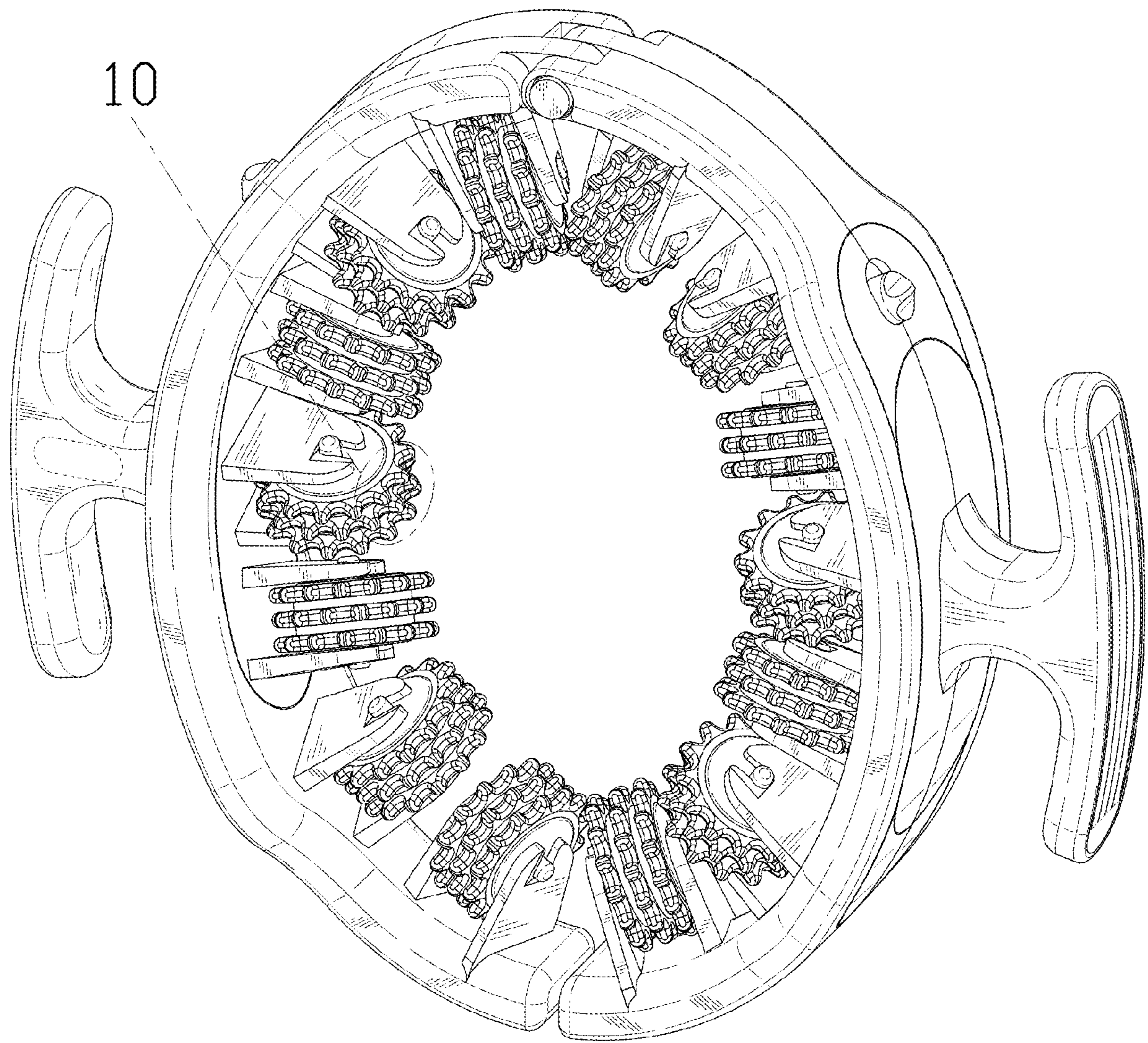


FIG. 1



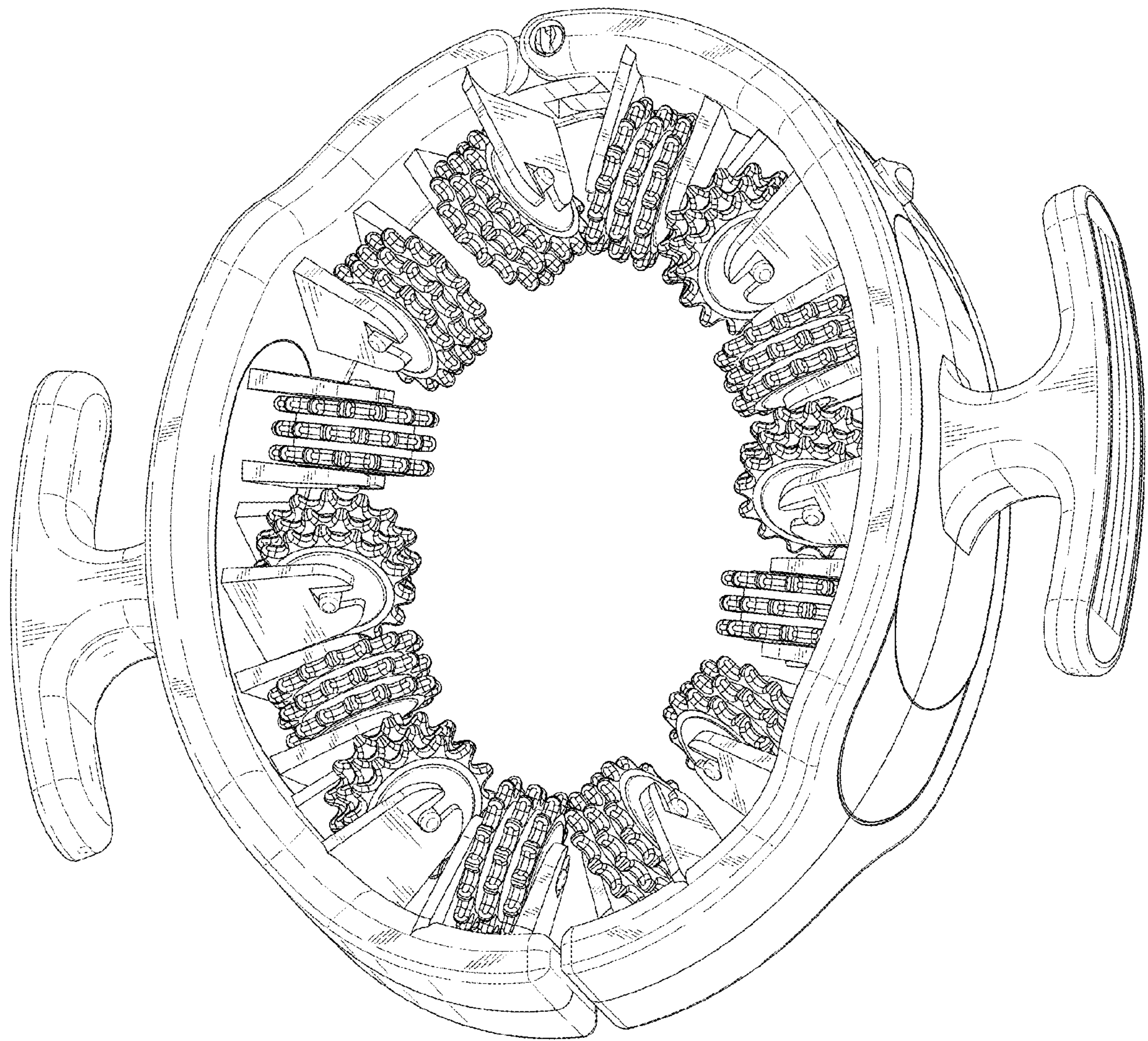


FIG. 2



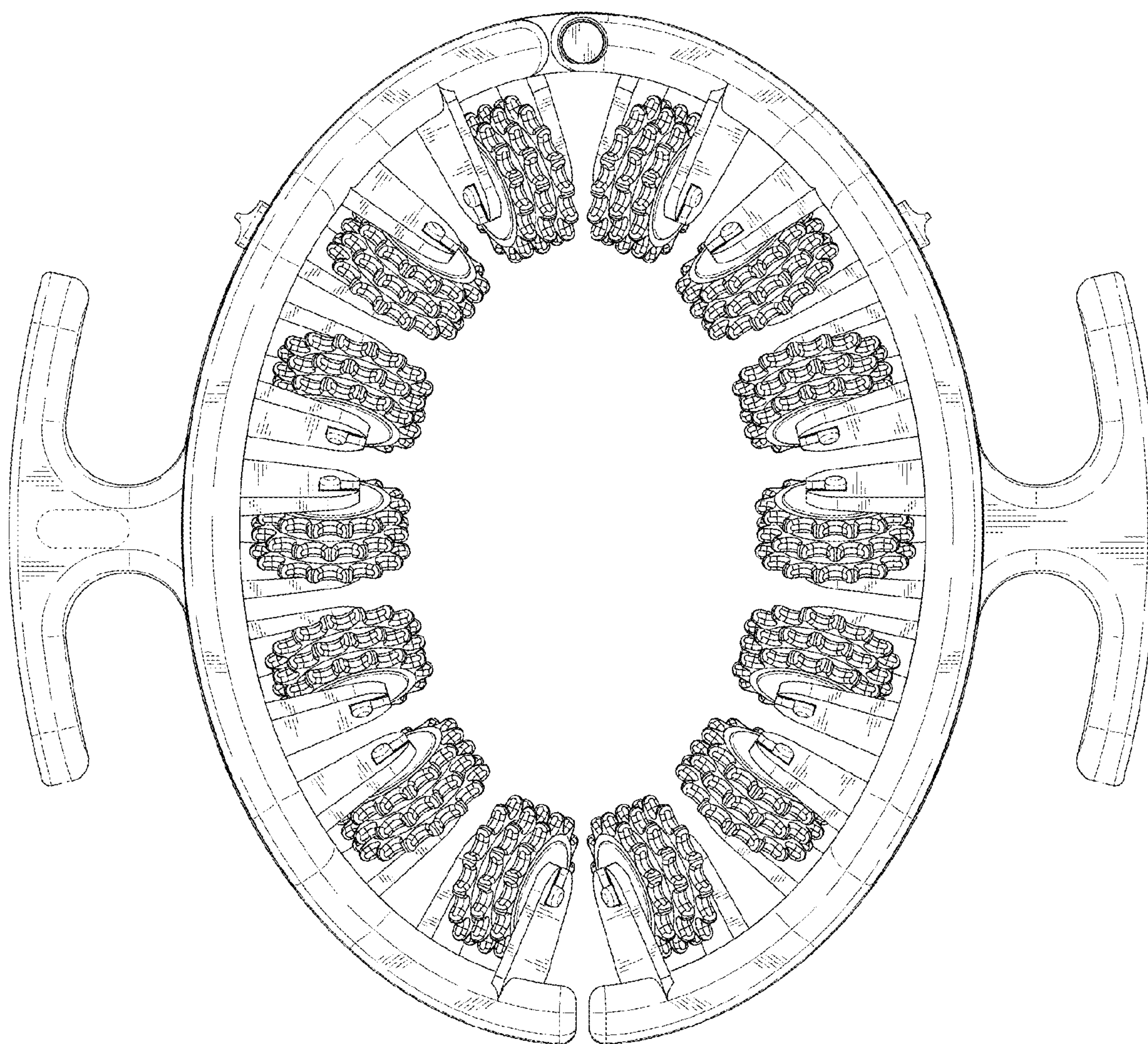


FIG. 3



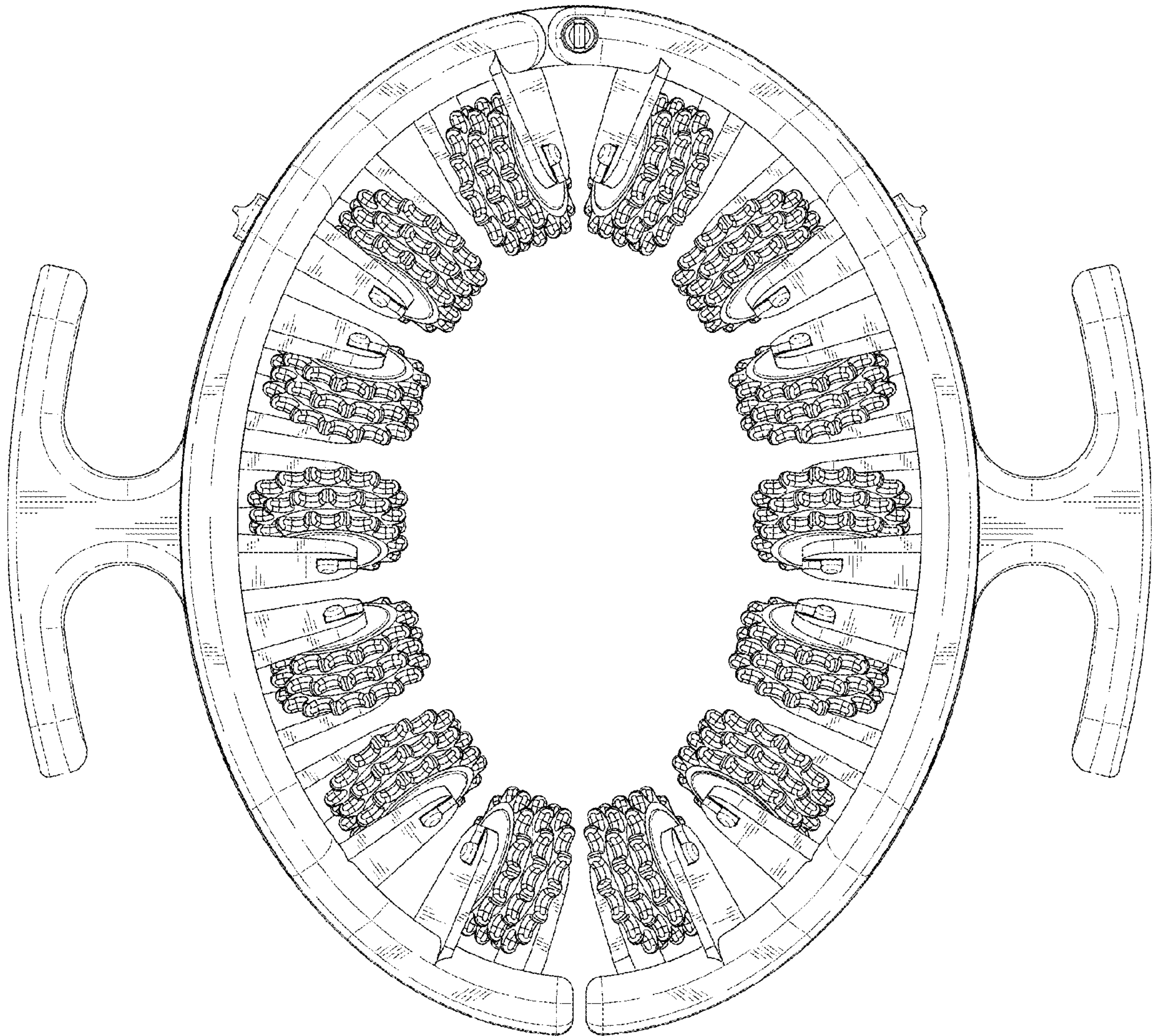


FIG. 4

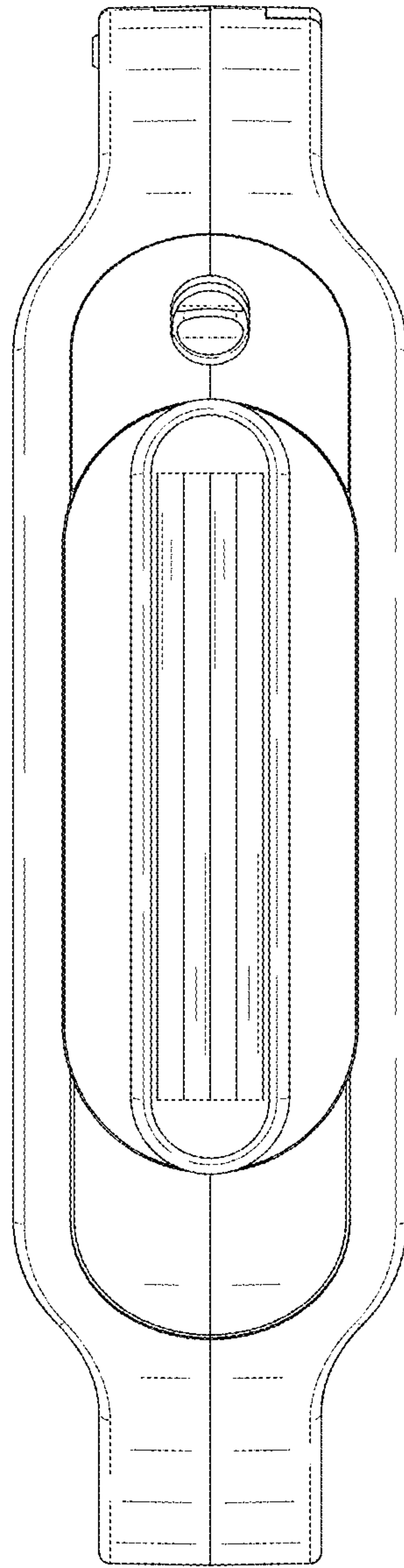


FIG. 5

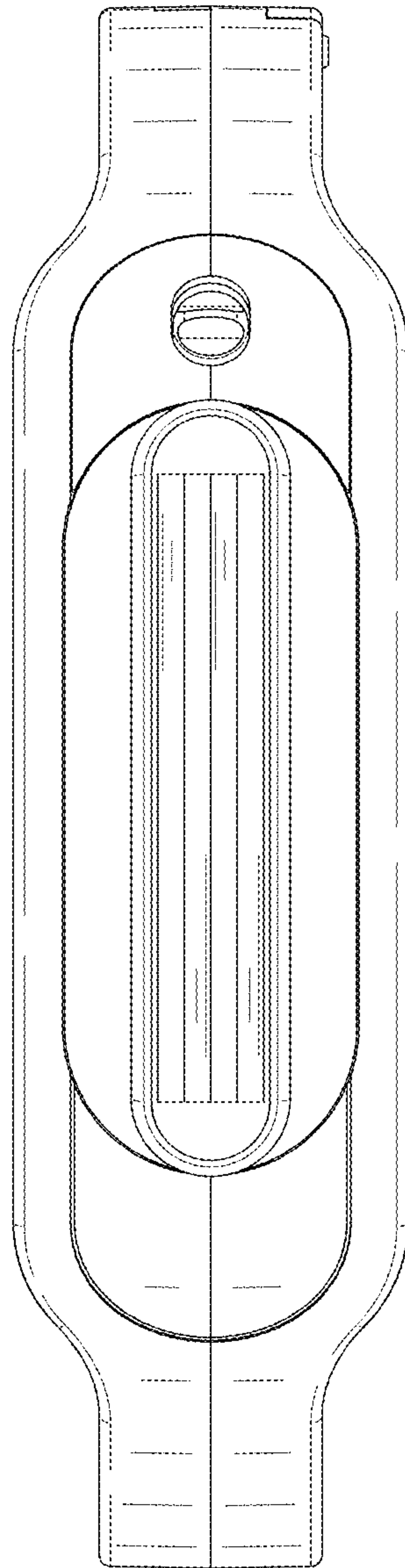


FIG. 6



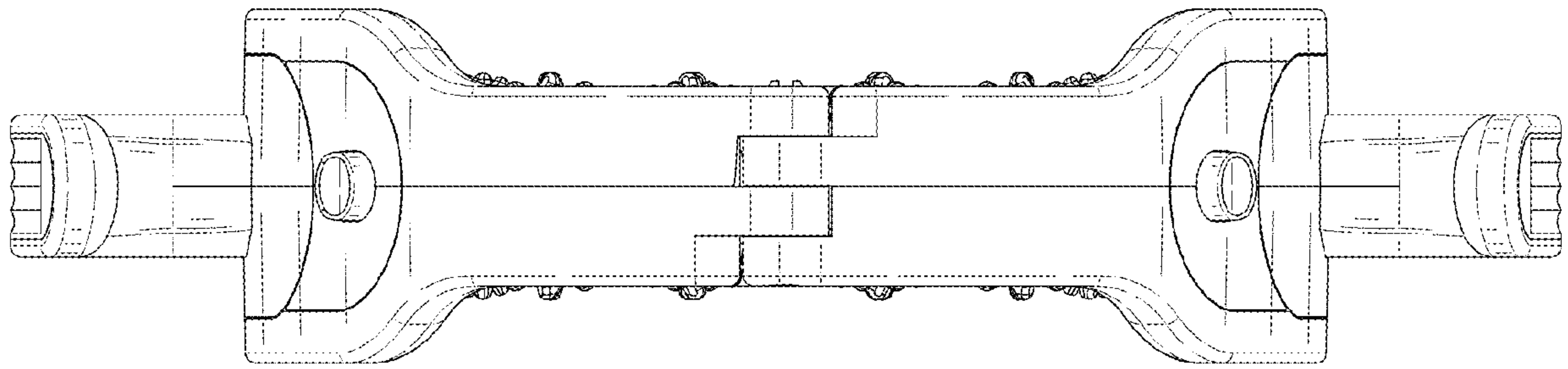


FIG. 7

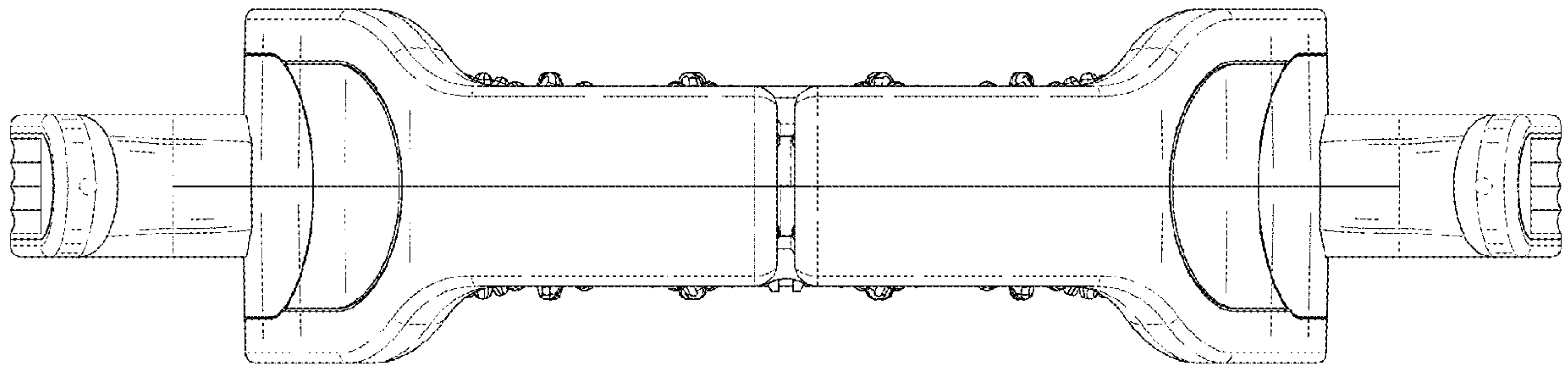


FIG. 8



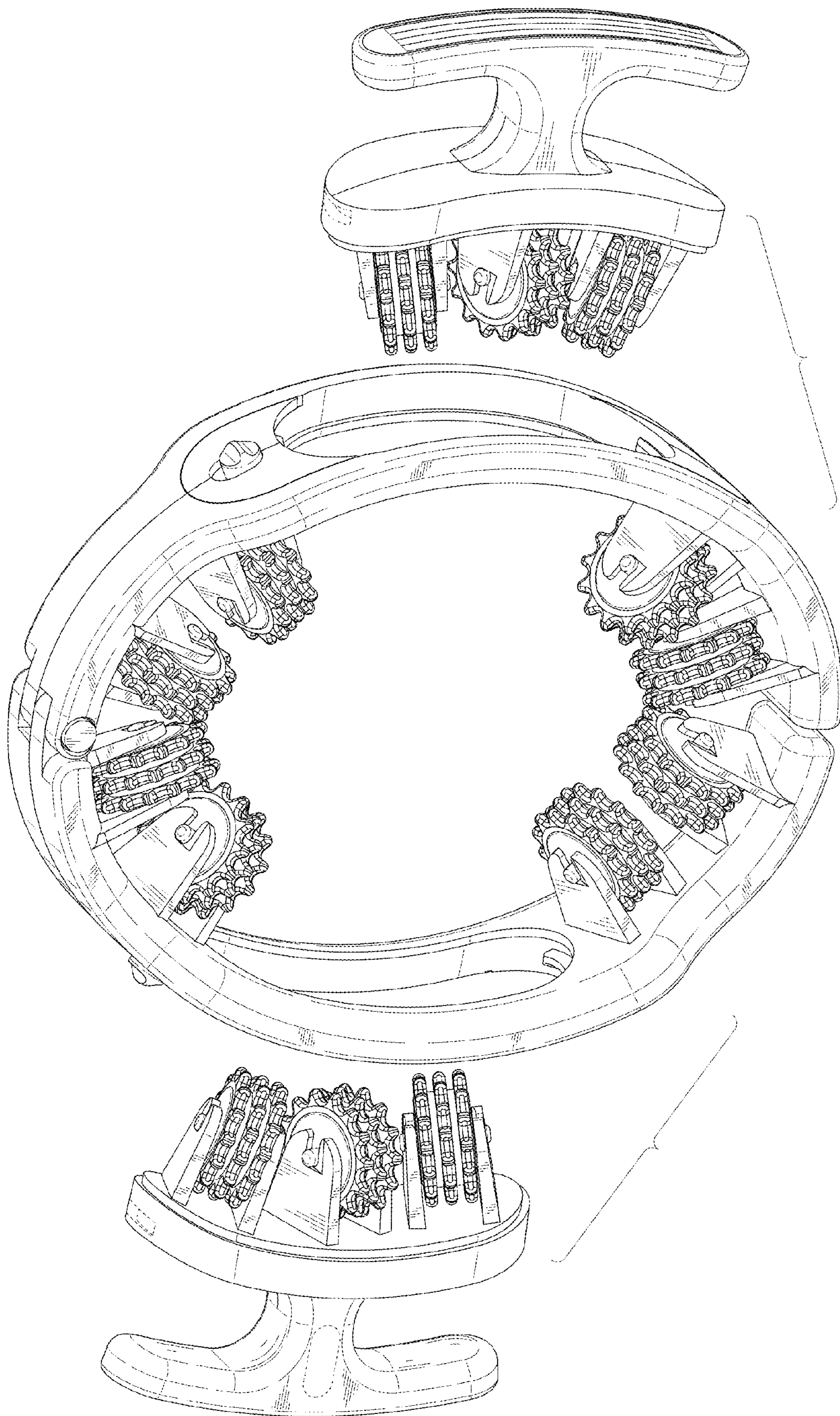


FIG. 9



FIG. 10