



US00D961091S

(12) **United States Design Patent** (10) **Patent No.:** **US D961,091 S**  
**Kirson et al.** (45) **Date of Patent:** **\*\* Aug. 16, 2022**

(54) **ELECTRODE ARRAY**

D800,321 S \* 10/2017 Roche ..... D24/187  
D866,199 S \* 11/2019 Carlile ..... D5/99  
2020/0171297 A1\* 6/2020 Kirson ..... A61N 1/36002

(71) Applicant: **NOVOCURE GMBH**, Root (CH)

(72) Inventors: **Eilon Kirson**, Ramat Hasharon (IL);  
**Yoram Wasserman**, Haifa (IL); **Noa Halavee**, Tel Aviv (IL)

FOREIGN PATENT DOCUMENTS

CN 201930067744.9 \* 9/2019

(\*\*) Term: **15 Years**

OTHER PUBLICATIONS

(21) Appl. No.: **29/715,151**

Cancer Care Northwest debuts new technology Device shown to extend lives of patients with malignant brain tumors. Online, published date Sep. 8, 2016. Retrieved on Aug. 19, 2021 from URL: <https://www.spokanejournal.com/special-report/cancer-care-northwest-debuts-new-technology/>.\*

(22) Filed: **Nov. 27, 2019**

(51) **LOC (13) Cl.** ..... **24-02**

(52) **U.S. Cl.**

USPC ..... **D24/187**

\* cited by examiner

(58) **Field of Classification Search**

USPC ..... D24/107, 168, 186, 187, 189, 200  
CPC ... A61B 5/0404; A61B 5/0416; A61B 5/0422;  
A61B 5/0424; A61B 5/04012; A61B  
5/04082; A61B 5/04087; A61B 5/04085;  
A61B 5/6841; A61N 1/046; A61N  
1/0472; A61N 1/0476

*Primary Examiner* — Omeed Agilee

(74) *Attorney, Agent, or Firm* — Ballard Spahr LLP

See application file for complete search history.

(57) **CLAIM**

The ornamental design for an electrode array, as shown and described.

(56) **References Cited**

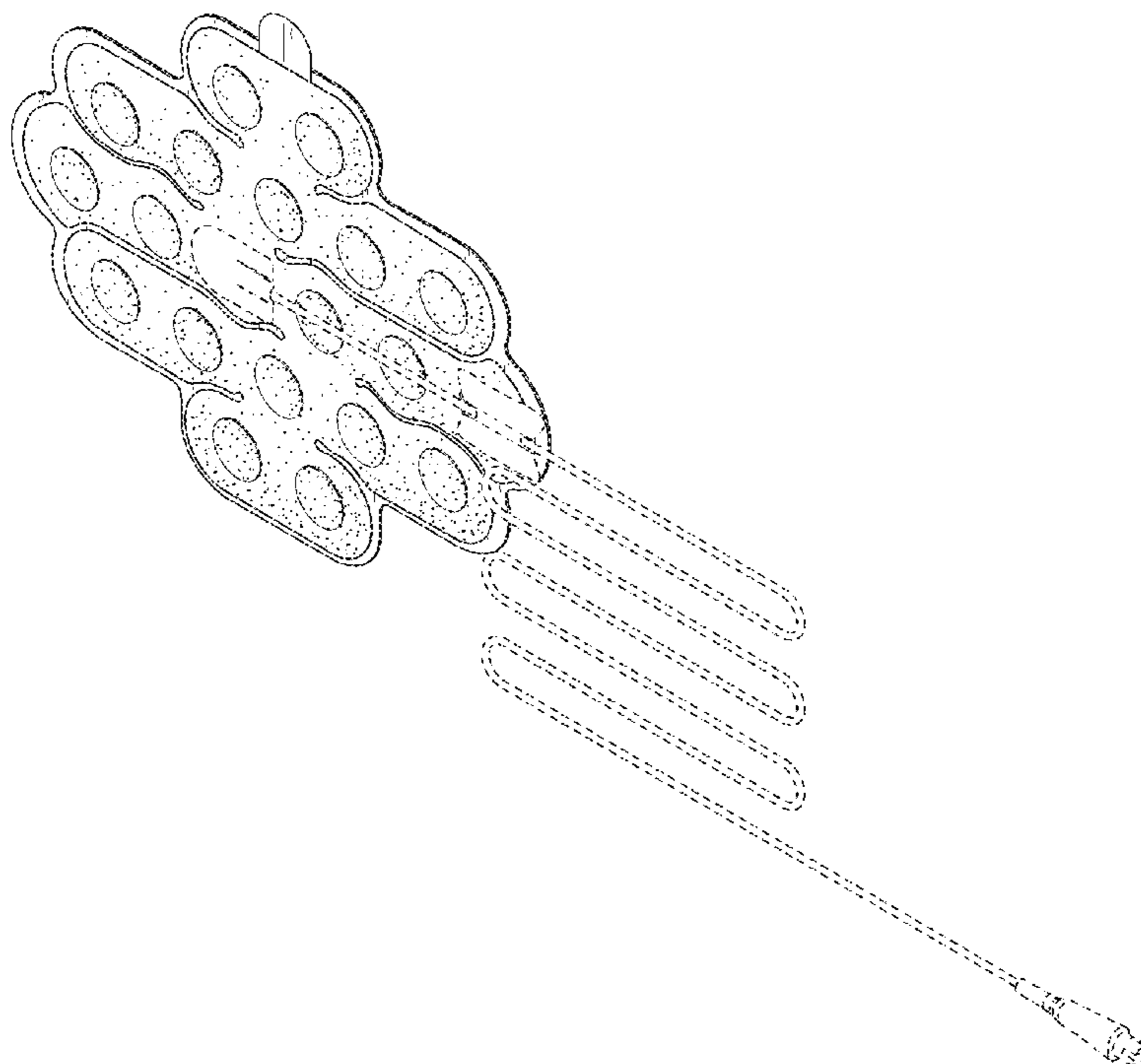
U.S. PATENT DOCUMENTS

6,453,186 B1 \* 9/2002 Lovejoy ..... A61B 5/282  
600/386  
D505,206 S \* 5/2005 Chastain ..... D24/187  
D598,111 S \* 8/2009 Phillips ..... D24/187  
7,826,882 B2 \* 11/2010 McIntire ..... A61B 5/0006  
600/393  
D761,436 S \* 7/2016 Fogarty ..... D24/187  
D785,187 S \* 4/2017 Darmanjian ..... A61B 5/033  
D24/187

**DESCRIPTION**

FIG. 1 is a perspective view of an electrode array showing our new design;  
FIG. 2 is a top plan view thereof;  
FIG. 3 is a bottom plan view thereof;  
FIG. 4 is a front elevational view thereof;  
FIG. 5 is a rear elevational view thereof;  
FIG. 6 is a left side elevational view thereof; and,  
FIG. 7 is a right side elevational view thereof.  
The broken lines depict portions of the electrode array that form no part of the claimed design.

**1 Claim, 5 Drawing Sheets**



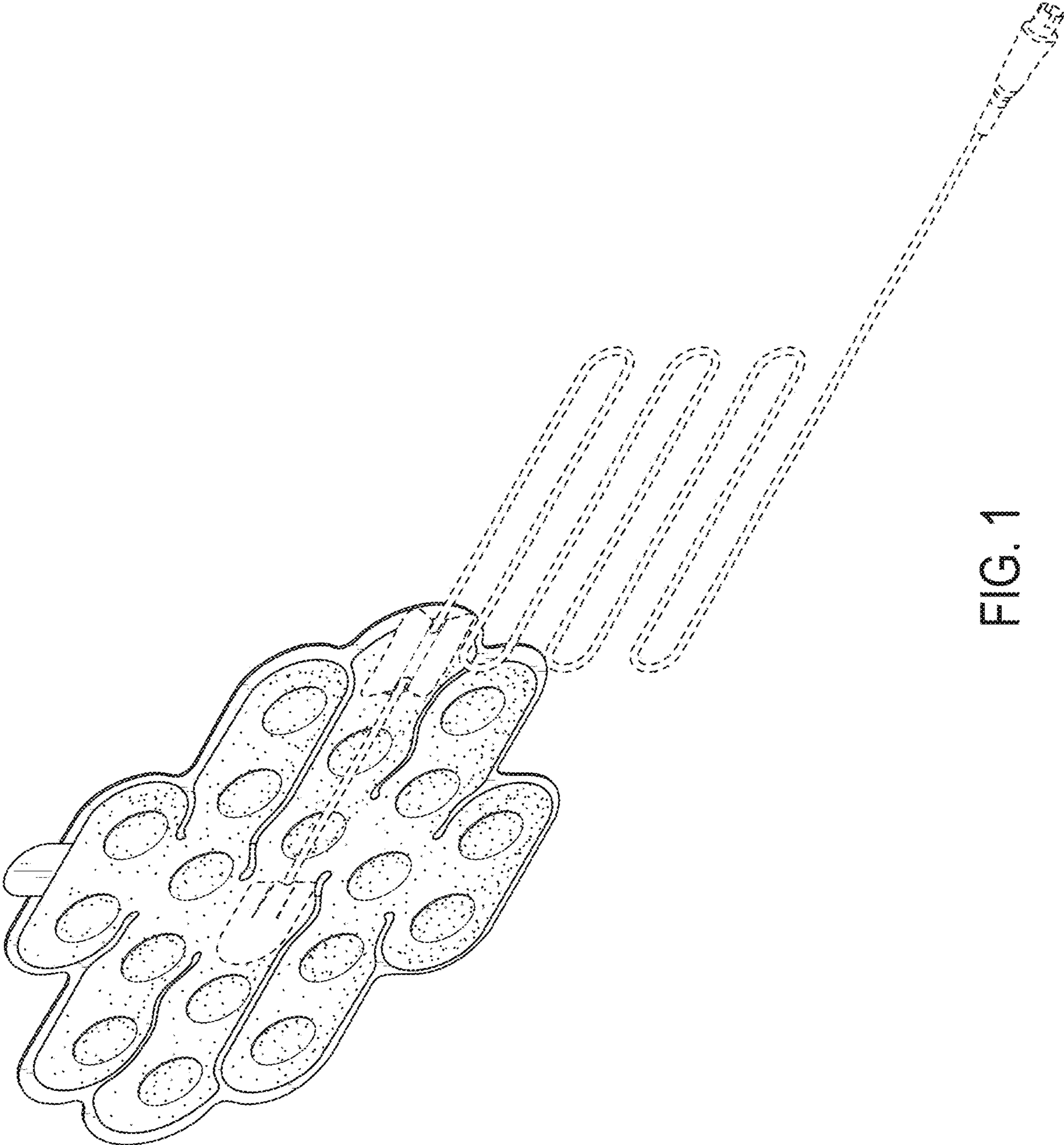


FIG. 1

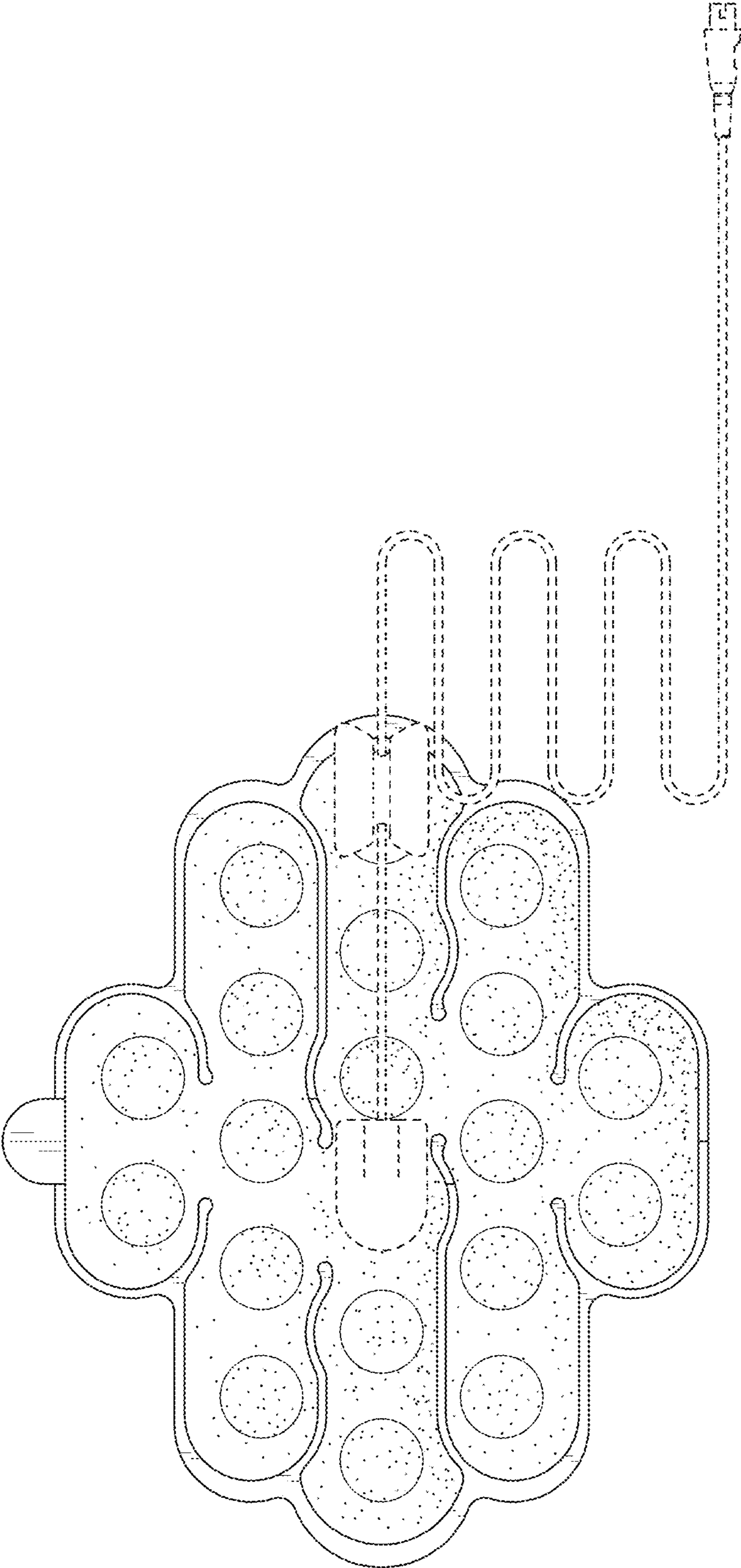


FIG. 2

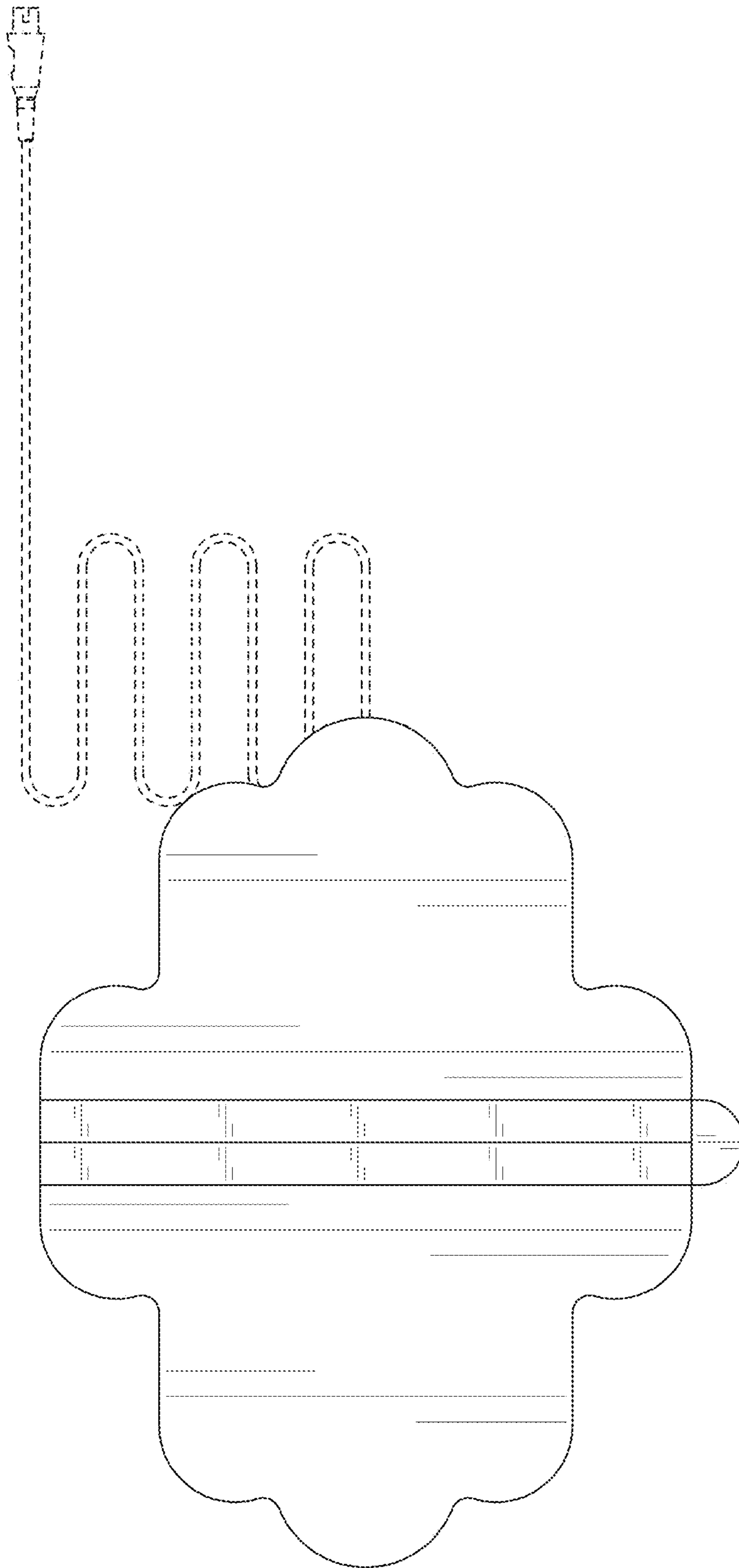


FIG. 3

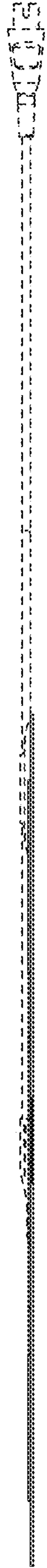


FIG. 4

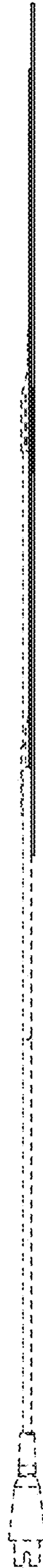


FIG. 5

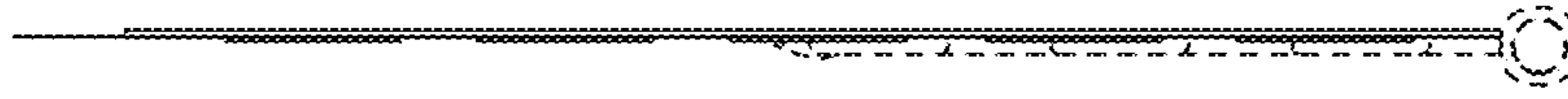


FIG. 7

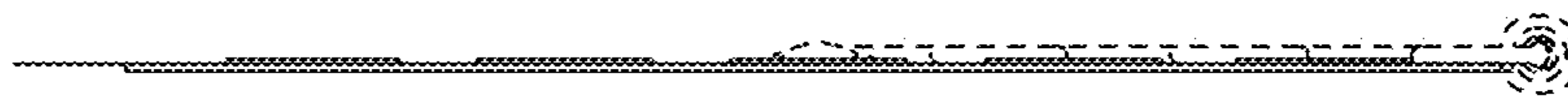


FIG. 6