



US00D961087S

(12) **United States Design Patent**  
**Wang**

(10) **Patent No.:** **US D961,087 S**

(45) **Date of Patent:** **\*\* Aug. 16, 2022**

(54) **ELECTRONIC SPHYGMOMANOMETER**

(71) Applicant: **SHENZHEN JAMR TECHNOLOGY CO., LIMITED**, Shenzhen (CN)

(72) Inventor: **Liming Wang**, Shenzhen (CN)

(73) Assignee: **SHENZHEN JAMR TECHNOLOGY CO., LIMITED**, Shenzhen (CN)

(\*\*) Term: **15 Years**

(21) Appl. No.: **29/714,887**

(22) Filed: **Nov. 26, 2019**

(30) **Foreign Application Priority Data**

May 27, 2019 (CN) ..... 201930265212.6

(51) **LOC (13) Cl.** ..... **24-01**

(52) **U.S. Cl.**  
USPC ..... **D24/165**

(58) **Field of Classification Search**

USPC ..... D24/165-168, 107, 186-187; D14/344  
CPC ..... A61B 5/0404; A61B 5/021; A61B 5/024;  
A61B 5/02438; A61B 5/681; A61B  
5/0402; A61B 2560/0462

See application file for complete search history.

(56) **References Cited**

**U.S. PATENT DOCUMENTS**

D566,844 S \* 4/2008 Inose ..... D24/165  
D700,341 S \* 2/2014 Uozumi ..... D24/165  
D802,768 S \* 11/2017 Rider ..... D24/165  
D850,622 S \* 6/2019 Noguchi ..... D24/165  
D862,702 S \* 10/2019 Nishiyama ..... D24/165  
D890,346 S \* 7/2020 Lam ..... D24/167

D899,599 S \* 10/2020 Hirasawa ..... D24/165  
D903,120 S \* 11/2020 Nishiyama ..... D24/165  
2007/0000490 A1 \* 1/2007 DeVries ..... F04C 29/0035  
128/204.21  
2013/0253334 A1 \* 9/2013 Al-Ali ..... A61B 5/02416  
600/476

**OTHER PUBLICATIONS**

Series C, posted at jamrmed.com, no posting date, retrieved Dec. 17, 2020, online, URL: [http://www.jamrmed.com/pd.jsp?id=65#\\_pp=105\\_335](http://www.jamrmed.com/pd.jsp?id=65#_pp=105_335) (Year: 2020).\*

\* cited by examiner

*Primary Examiner* — Mary Shannon Malley

(74) *Attorney, Agent, or Firm* — Cantor Colburn LLP

(57) **CLAIM**

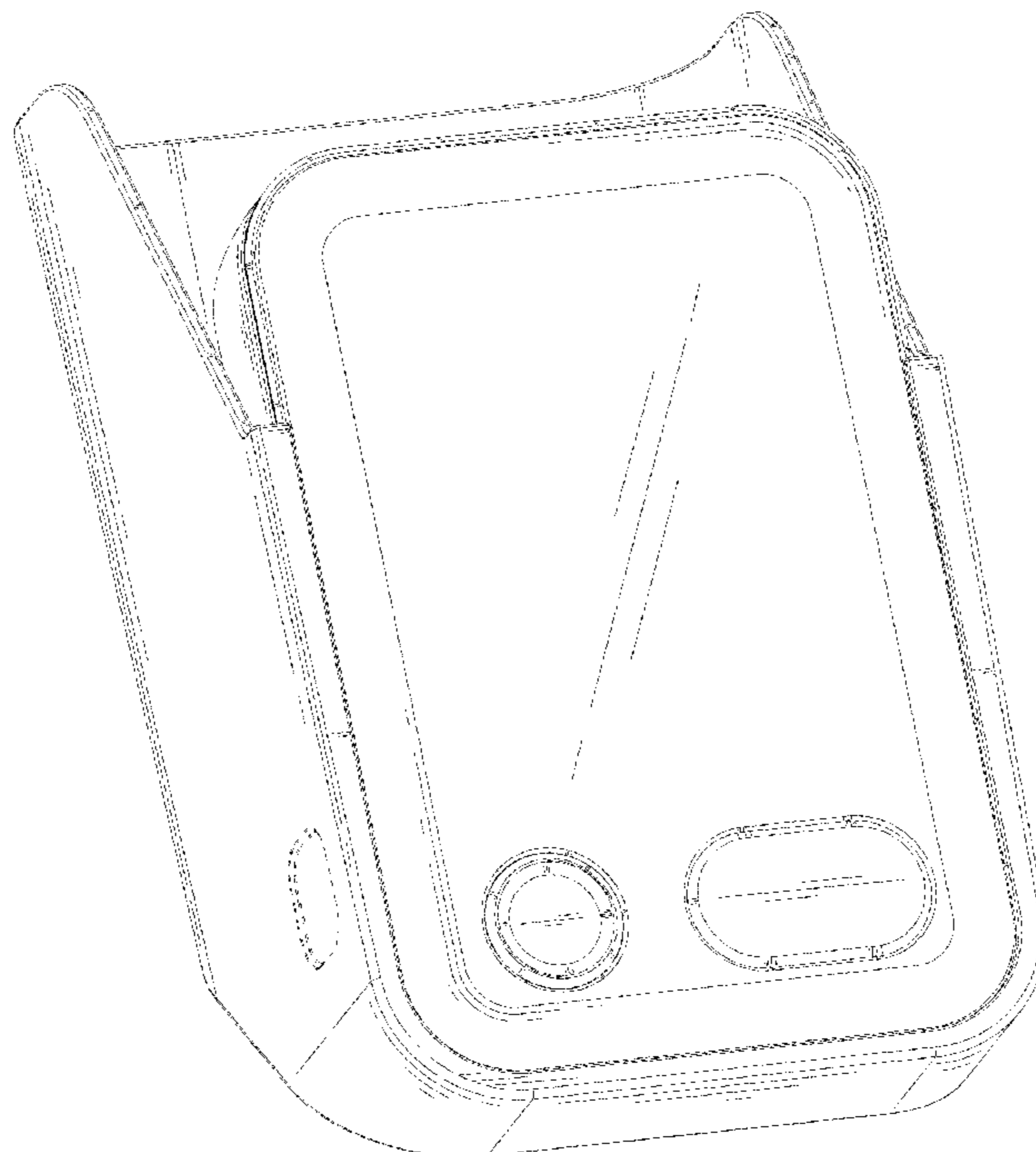
The ornamental design for an “electronic sphygmomanometer”, as shown and described.

**DESCRIPTION**

FIG. 1 is a front perspective view of an electronic sphygmomanometer;  
FIG. 2 is a top perspective view thereof;  
FIG. 3 is a rear perspective view thereof;  
FIG. 4 is a front view thereof;  
FIG. 5 is a rear view thereof;  
FIG. 6 is a left view thereof;  
FIG. 7 is a right view thereof;  
FIG. 8 is a top view thereof; and,  
FIG. 9 is a bottom view thereof.

The broken lines in the figures depict portions of the electronic sphygmomanometer that form no part of the claimed design.

**1 Claim, 9 Drawing Sheets**



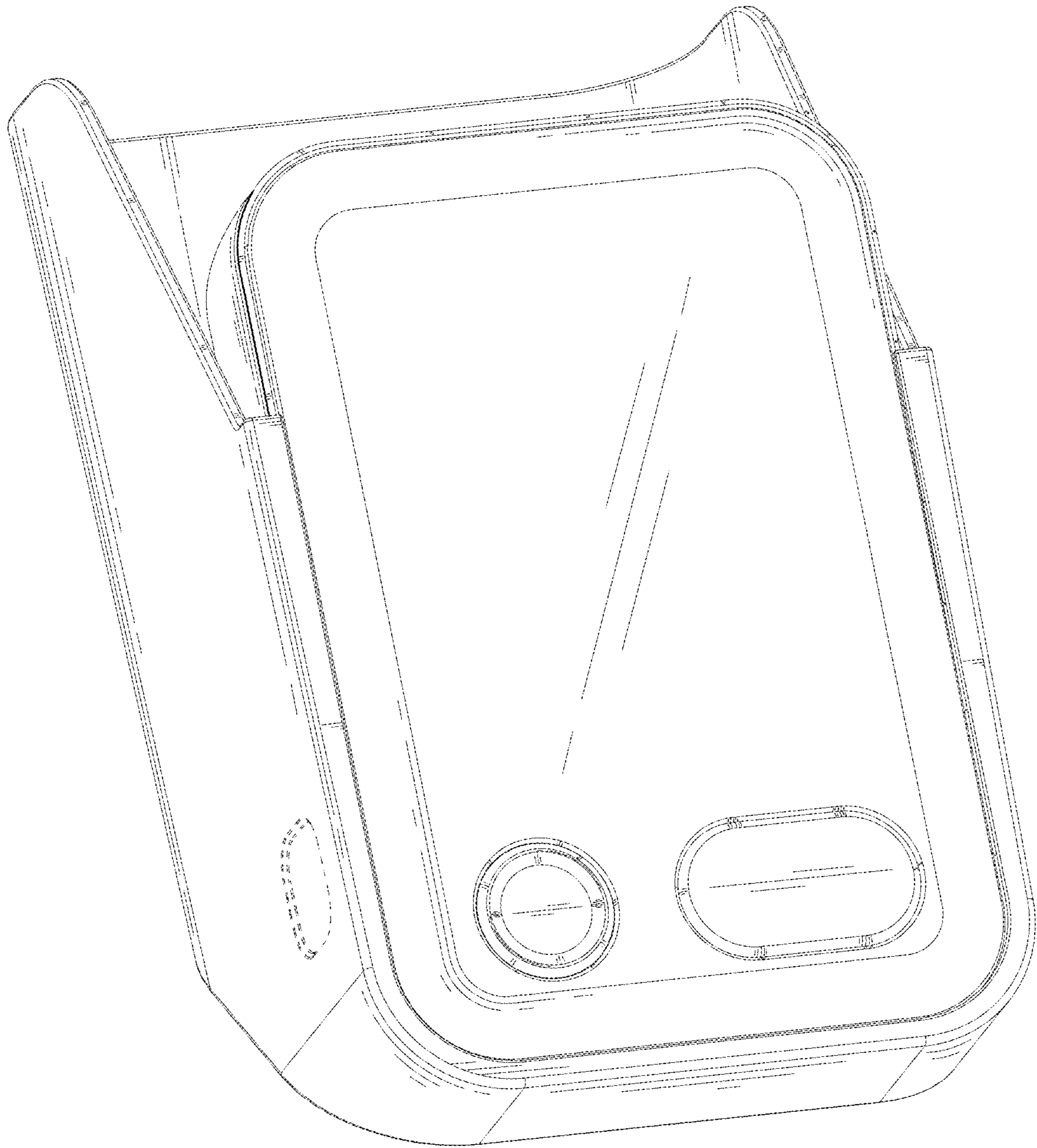


FIG. 1

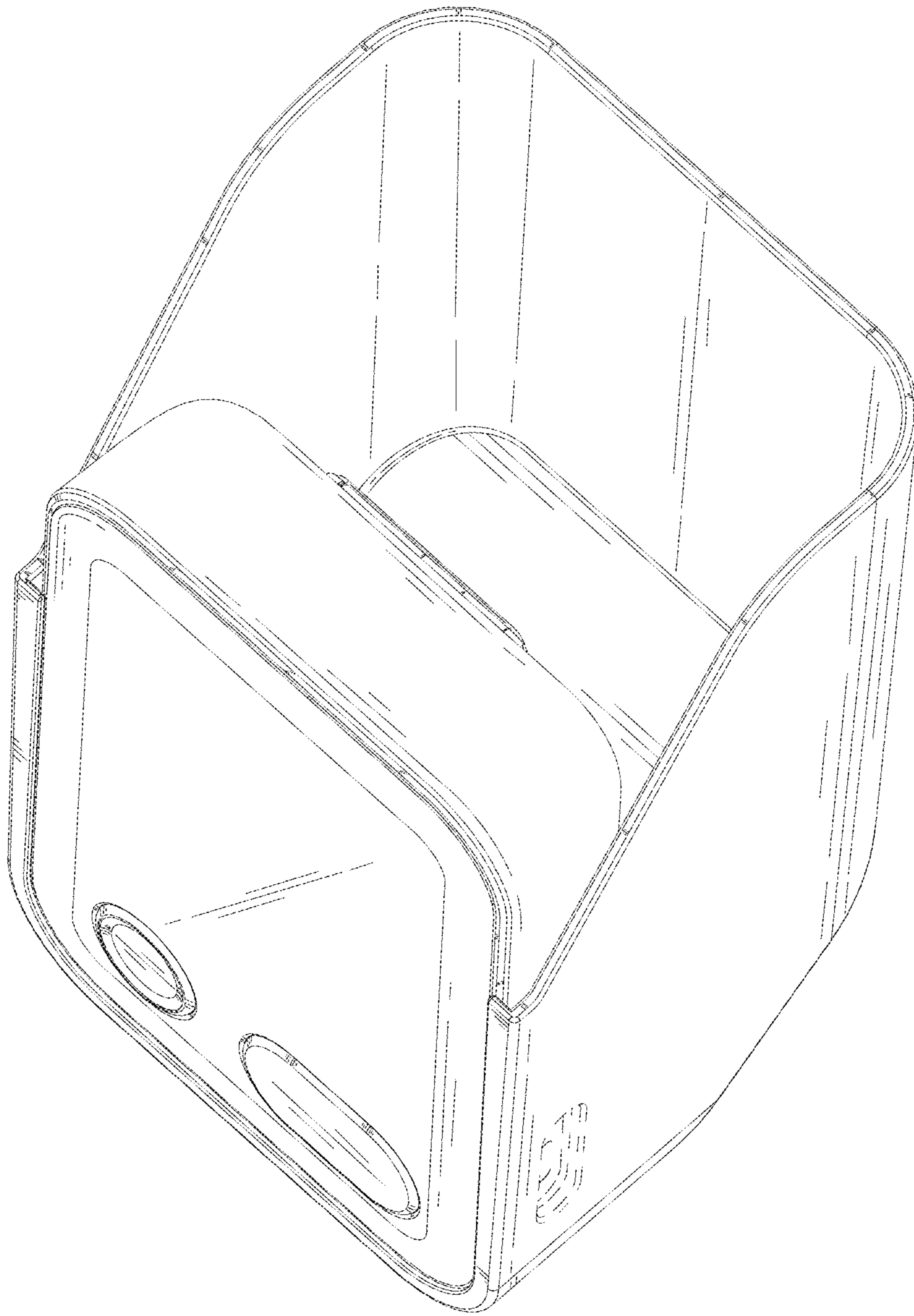


FIG. 2

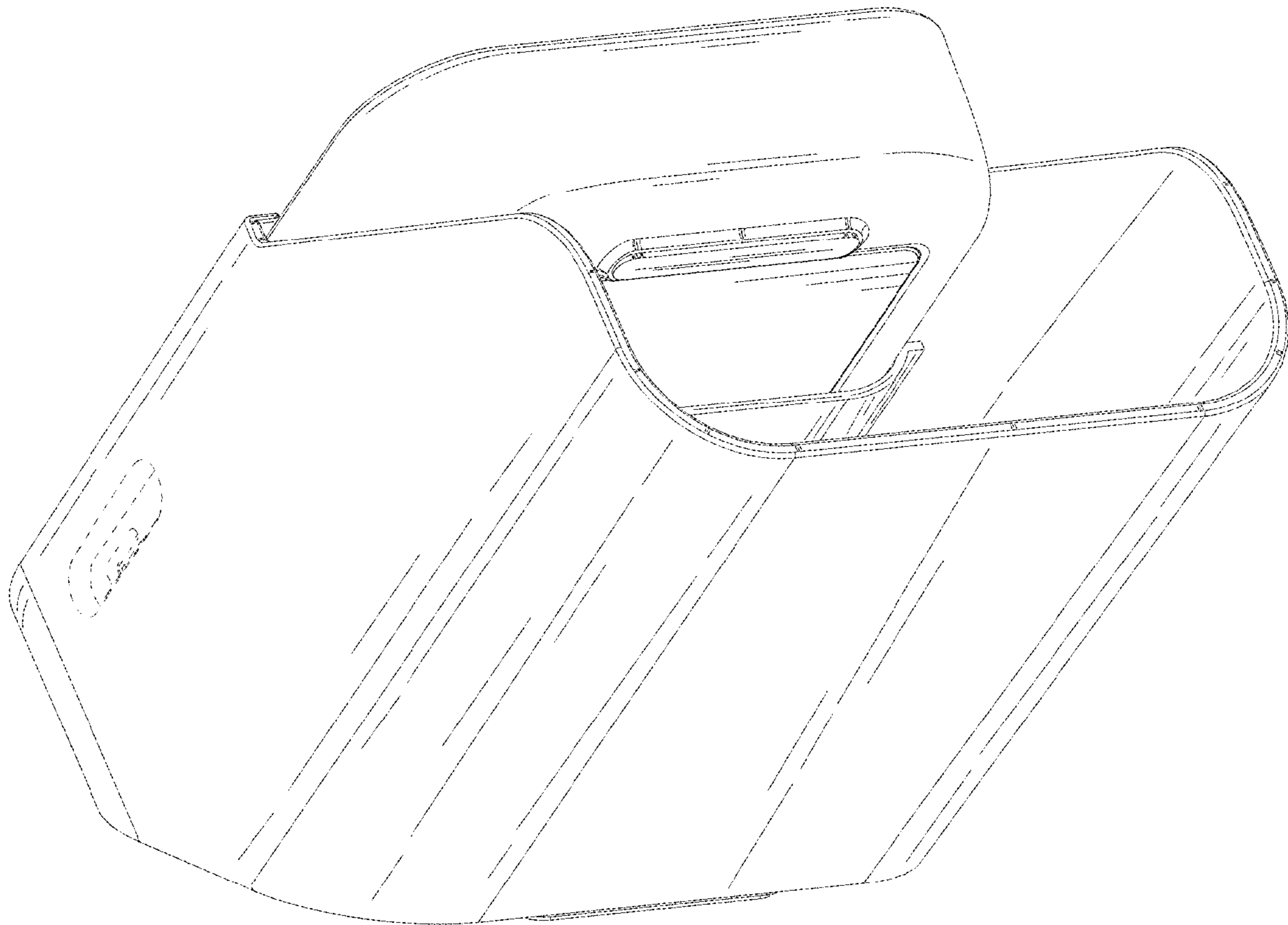


FIG. 3

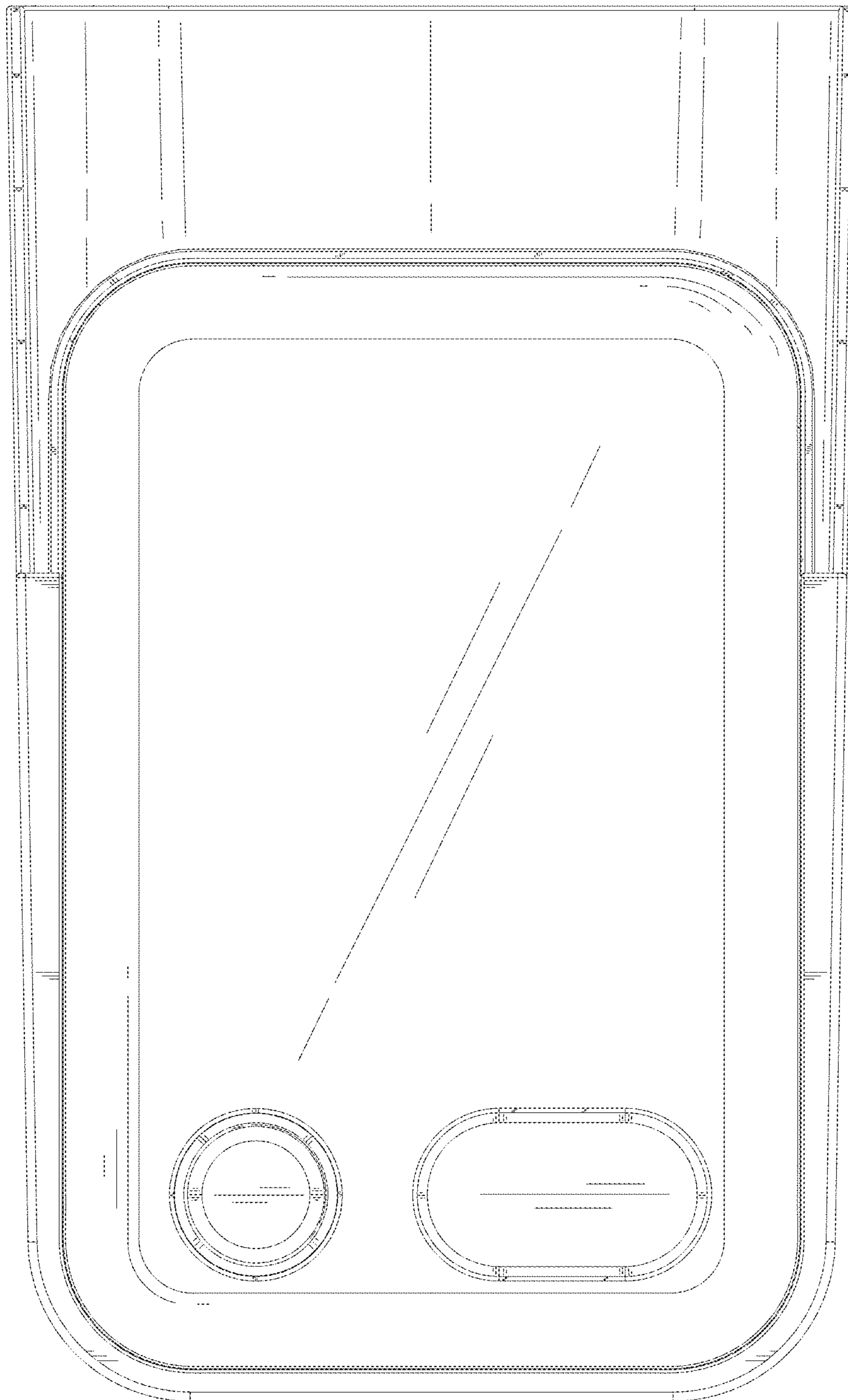


FIG. 4

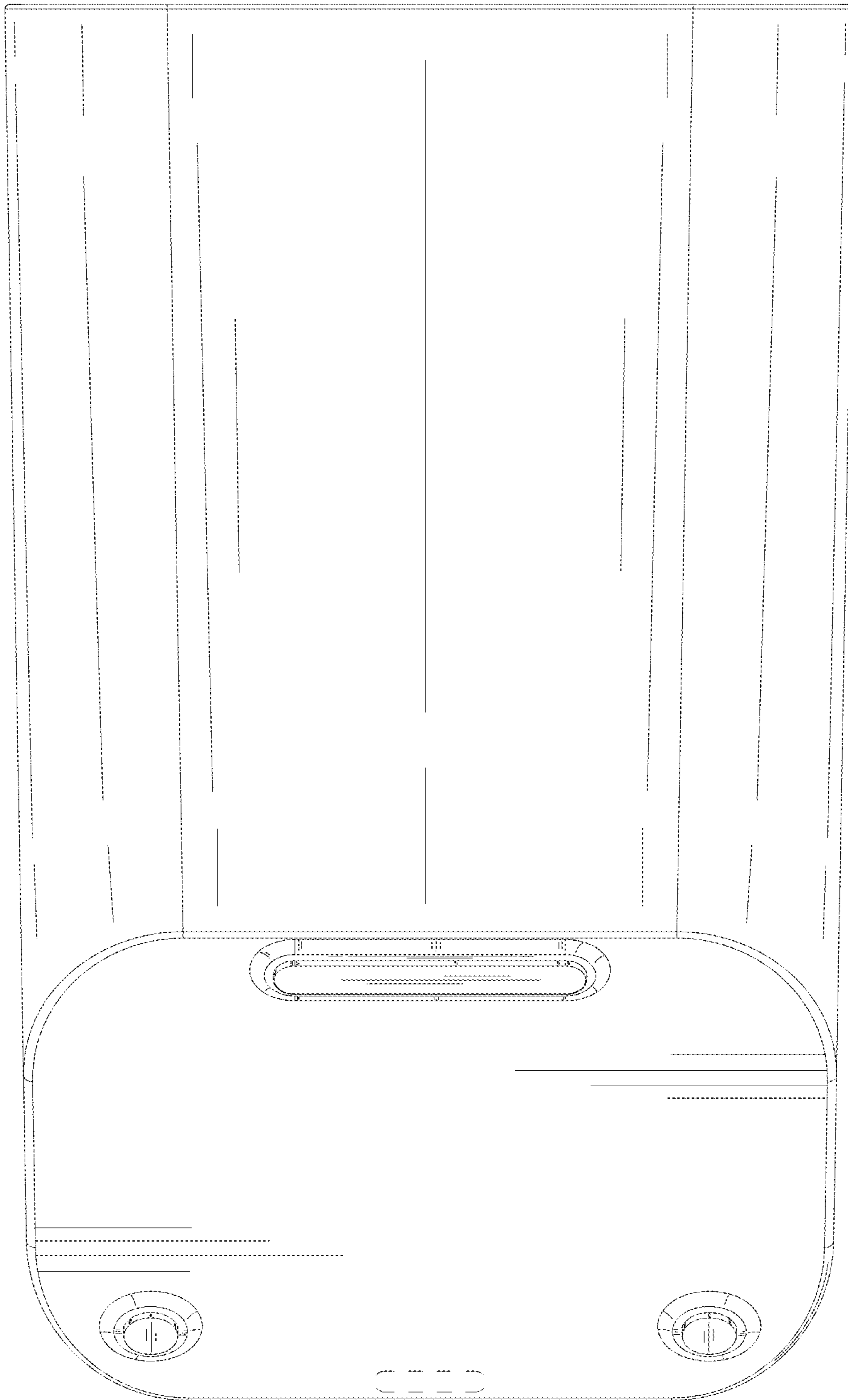


FIG. 5

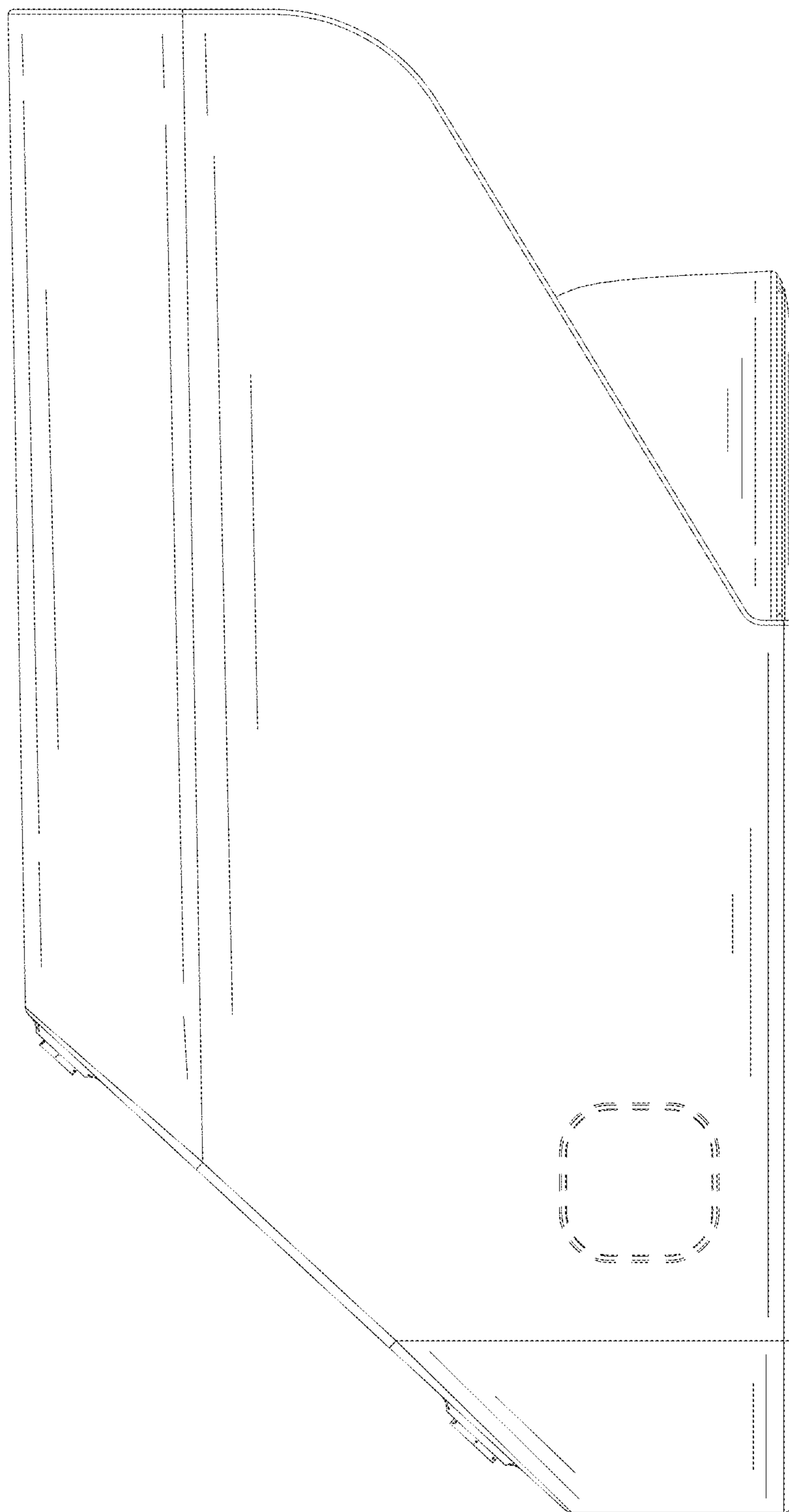


FIG. 6

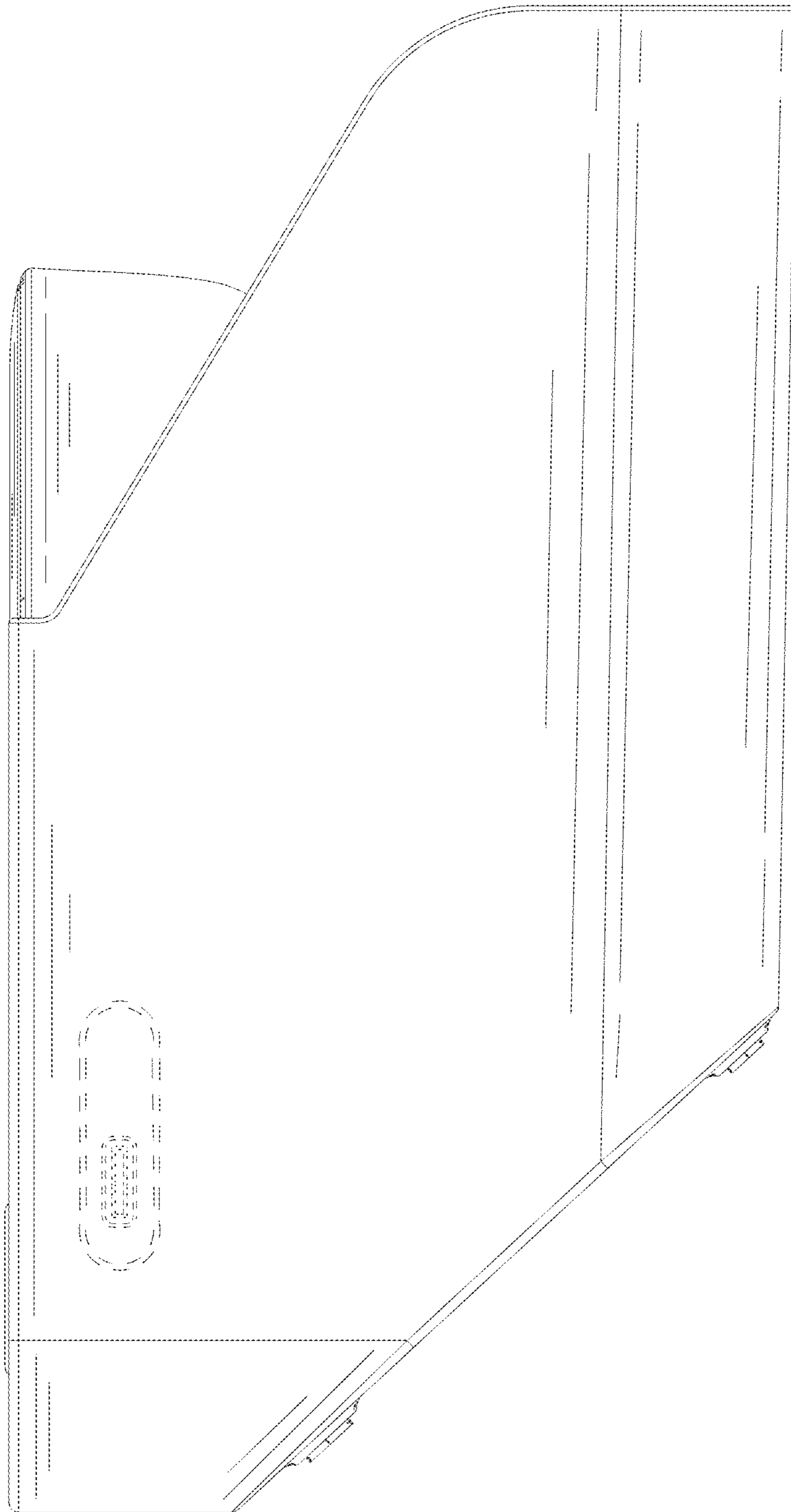


FIG. 7



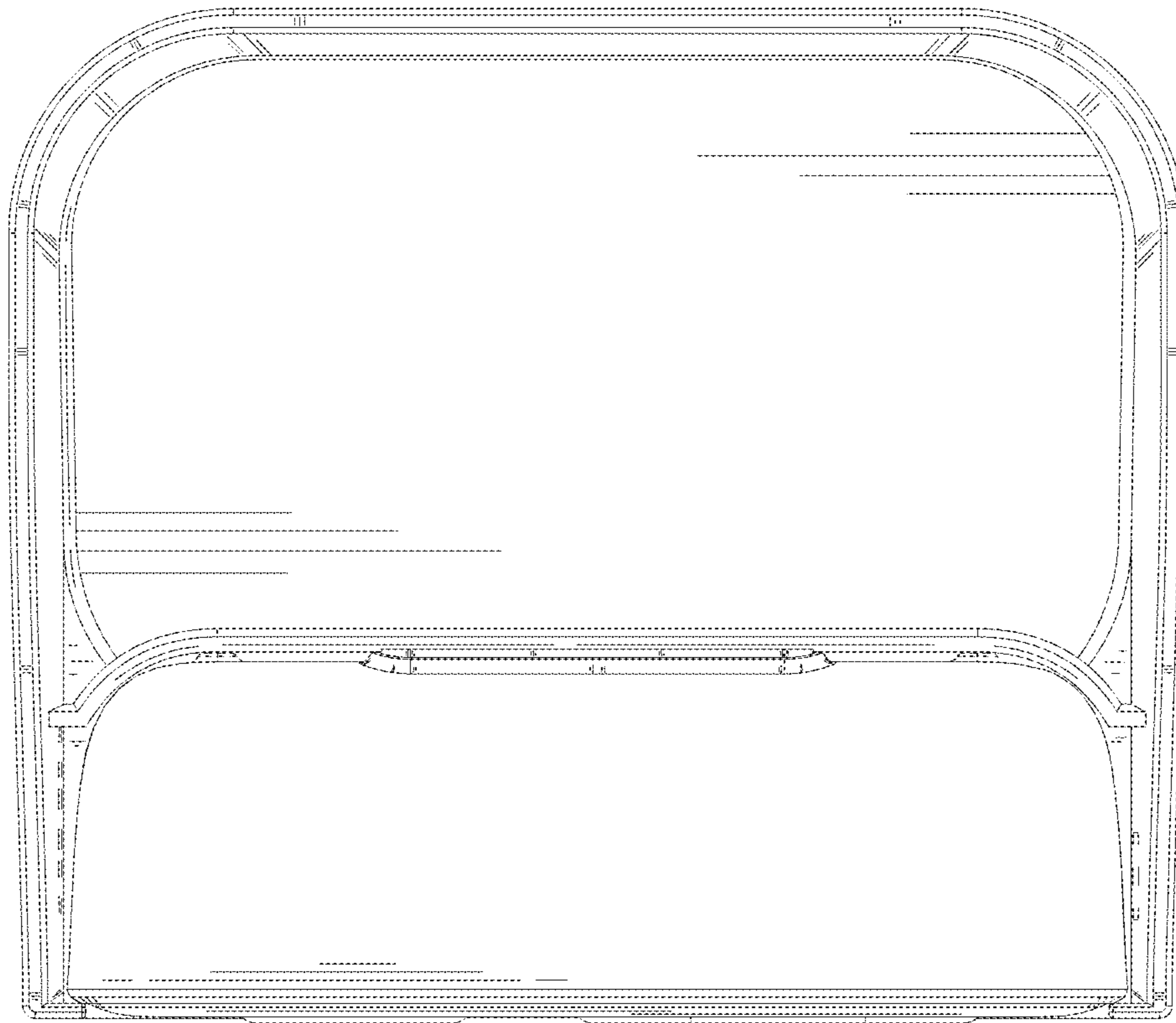


FIG. 8

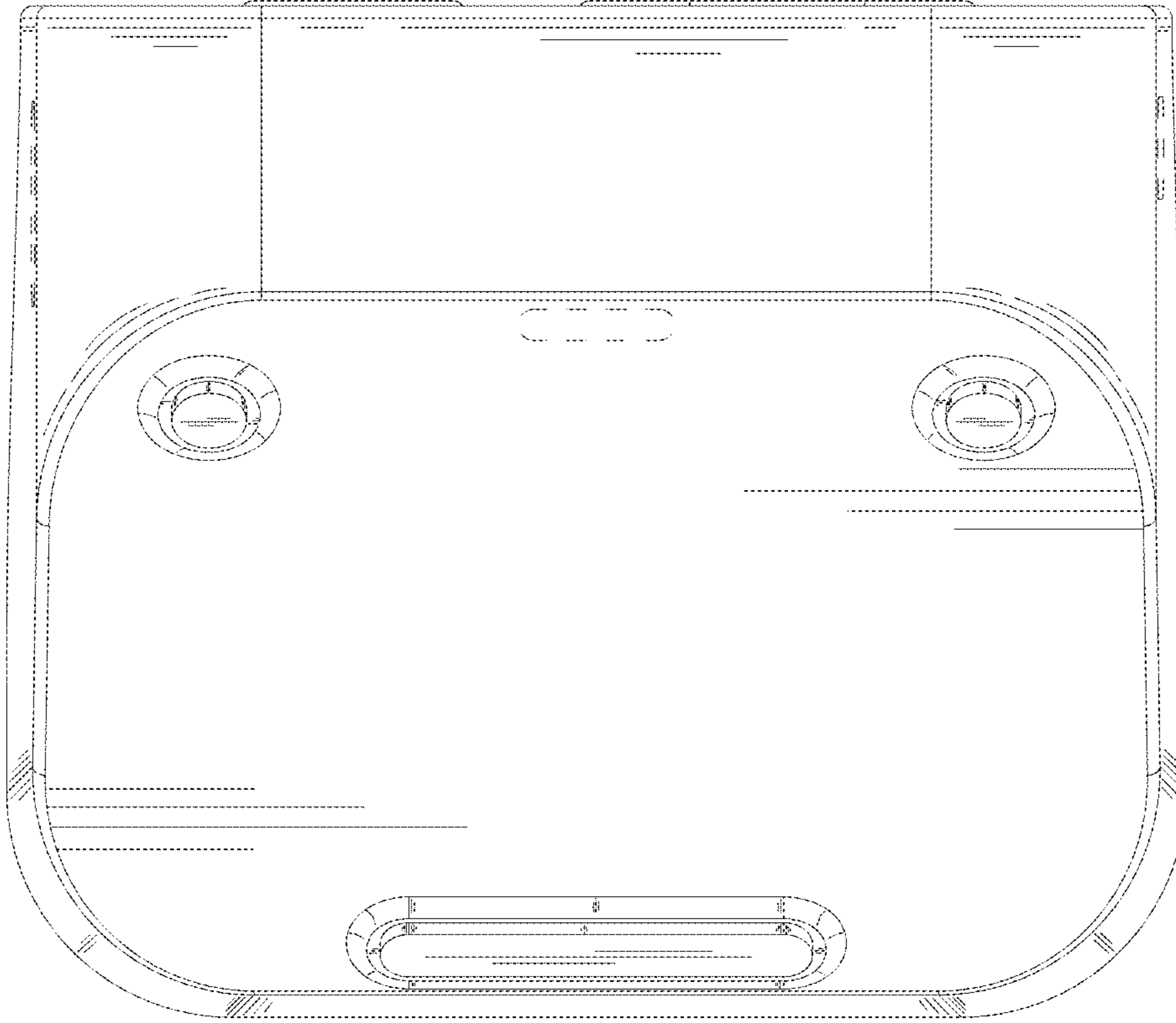


FIG. 9