



US00D961086S

(12) **United States Design Patent** (10) **Patent No.:** **US D961,086 S**
Saraliev (45) **Date of Patent:** **** Aug. 16, 2022**

(54) **IMAGING APPARATUS**

(71) Applicant: **ICONEUS**, Antony (FR)

(72) Inventor: **Dény Saraliev**, Antony (FR)

(73) Assignee: **ICONEUS**, Antony (FR)

(**) Term: **15 Years**

(21) Appl. No.: **29/751,358**

(22) Filed: **Sep. 21, 2020**

(51) **LOC (13) Cl.** **24-01**

(52) **U.S. Cl.**
USPC **D24/158**

(58) **Field of Classification Search**
USPC D24/107, 158-161, 185, 186; D14/302,
D14/308
CPC A61B 16/03; A61B 16/035; A61B 5/05;
A61B 5/055; A61B 6/037; A61B 6/0407;
A61B 6/0487; A61G 13/06; G06F 1/1601
See application file for complete search history.

(56) **References Cited**

U.S. PATENT DOCUMENTS

D433,507 S *	11/2000	Yeh	D24/158
D482,358 S *	11/2003	Schultze	D14/302
D539,794 S *	4/2007	Rossini	D14/302
D541,942 S *	5/2007	Hirson	D24/185
D568,481 S *	5/2008	Martinson	D24/185
D657,469 S *	4/2012	Vilas	D24/185
D722,172 S *	2/2015	Amemiya	D24/185
D837,380 S *	1/2019	Hulford	D24/185
D852,365 S *	6/2019	Andre	D24/185
D876,633 S *	2/2020	Moon	D24/186
D879,967 S *	3/2020	Verguldi	D24/185
D938,046 S *	12/2021	Gupta	D24/185
2011/0089326 A1 *	4/2011	Falen	A61B 6/037 250/363.04

* cited by examiner

Primary Examiner — Anhdao Doan

(74) *Attorney, Agent, or Firm* — Carter, DeLuca & Farrell LLP

(57) **CLAIM**

The ornamental design for an imaging apparatus, as shown and described.

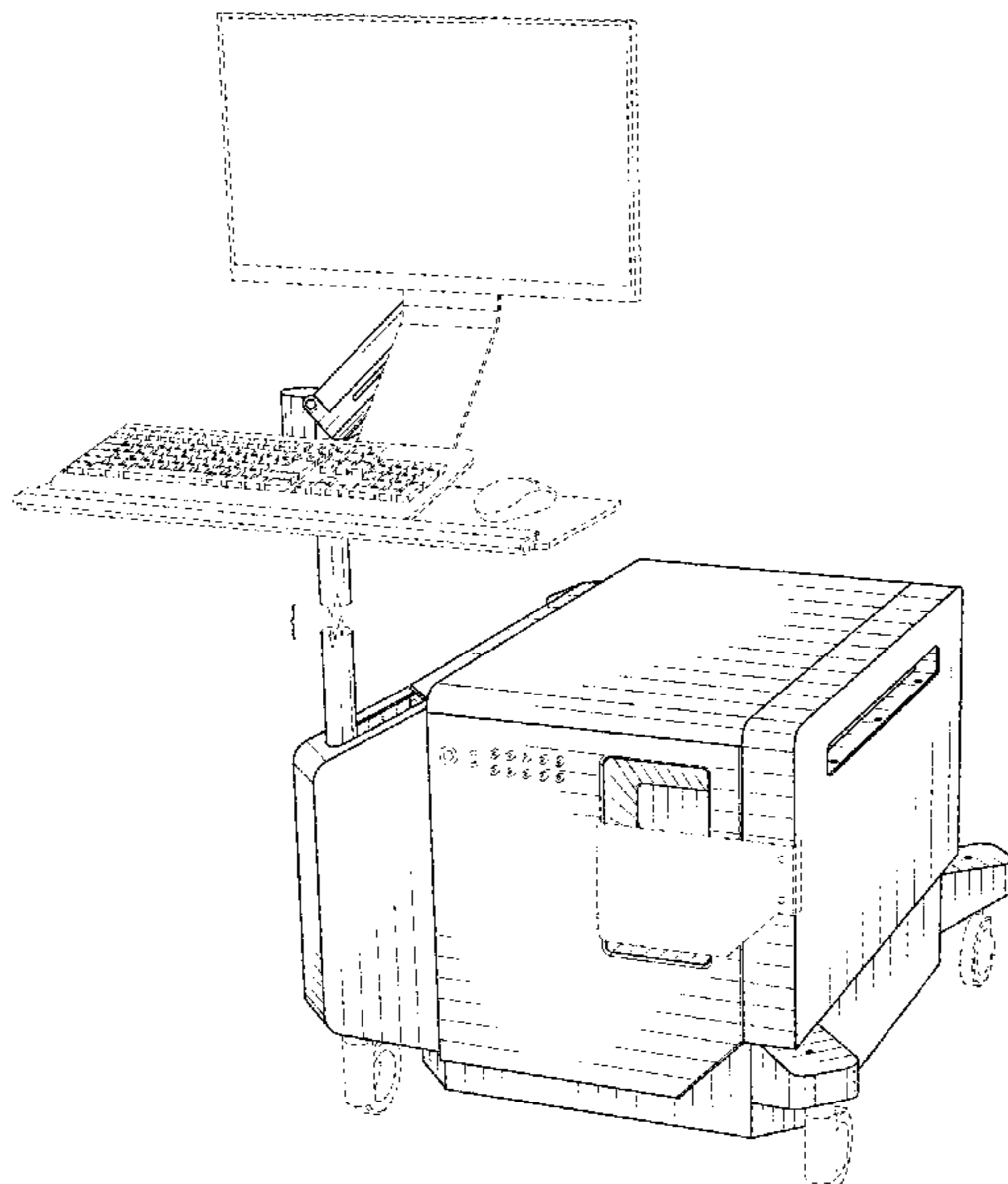
DESCRIPTION

FIG. 1 is a front perspective view of an imaging apparatus with an articulated arm shown in an expanded form in its environment in accordance with the present design; FIG. 2 is a right side perspective view thereof; FIG. 3 is a front elevation view thereof; FIG. 4 is a rear elevation view thereof; FIG. 5 is a left side elevational view thereof; FIG. 6 is a right side elevational view thereof; FIG. 7 is a top plan view thereof; FIG. 8 is a bottom view thereof; FIG. 9 is a left side perspective view of the imaging apparatus with the articulated arm shown in a bent form in its environment thereof; FIG. 10 is a front elevation view of FIG. 9; FIG. 11 is a rear elevation view of FIG. 9; FIG. 12 is a left side elevational view of FIG. 9; FIG. 13 is a right side elevational view FIG. 9; FIG. 14 is a top plan view of FIG. 9; and, FIG. 15 is a bottom view of FIG. 9.

The broken lines showing a human, desk and chair in FIGS. 2 and 9 represent environmental subject mater and form no part of the claimed design, and the remaining broken lines illustrate portions of the imaging apparatus that form no part of the claimed design.

The imaging apparatus is shown with a symbolic break. The appearance of any portion of the article between the break lines forms no part of the claimed design.

1 Claim, 10 Drawing Sheets



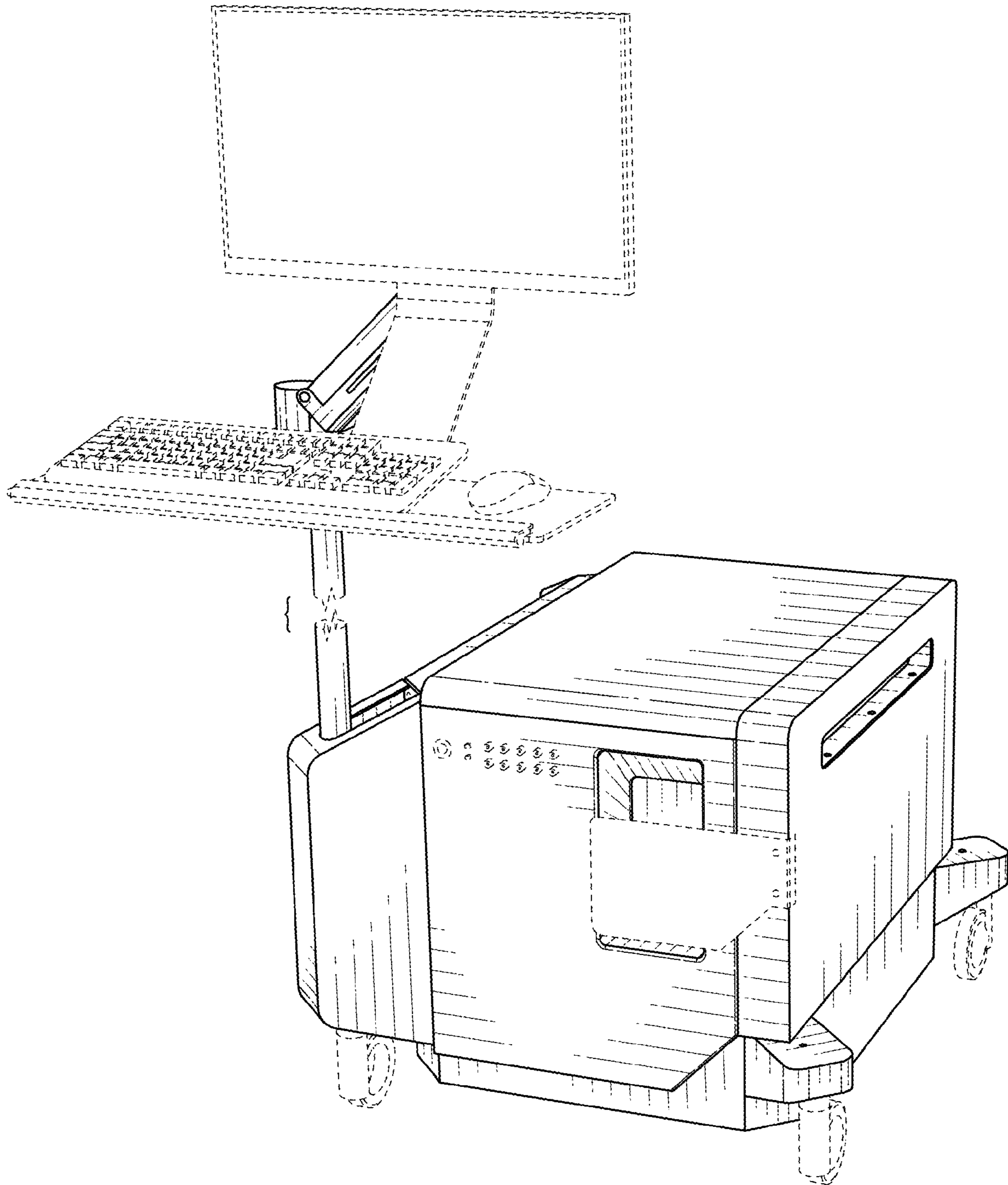


FIG. 1

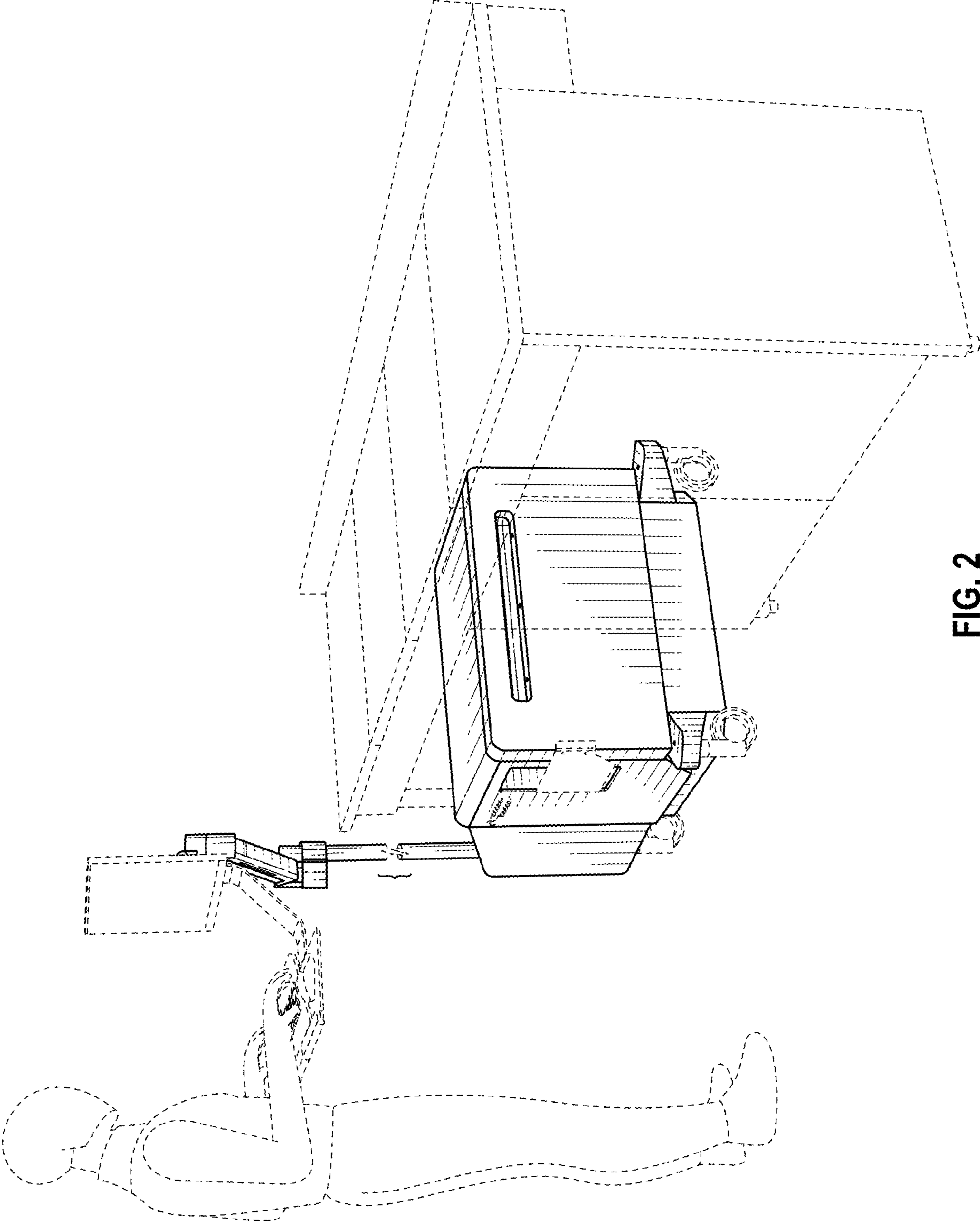


FIG. 2

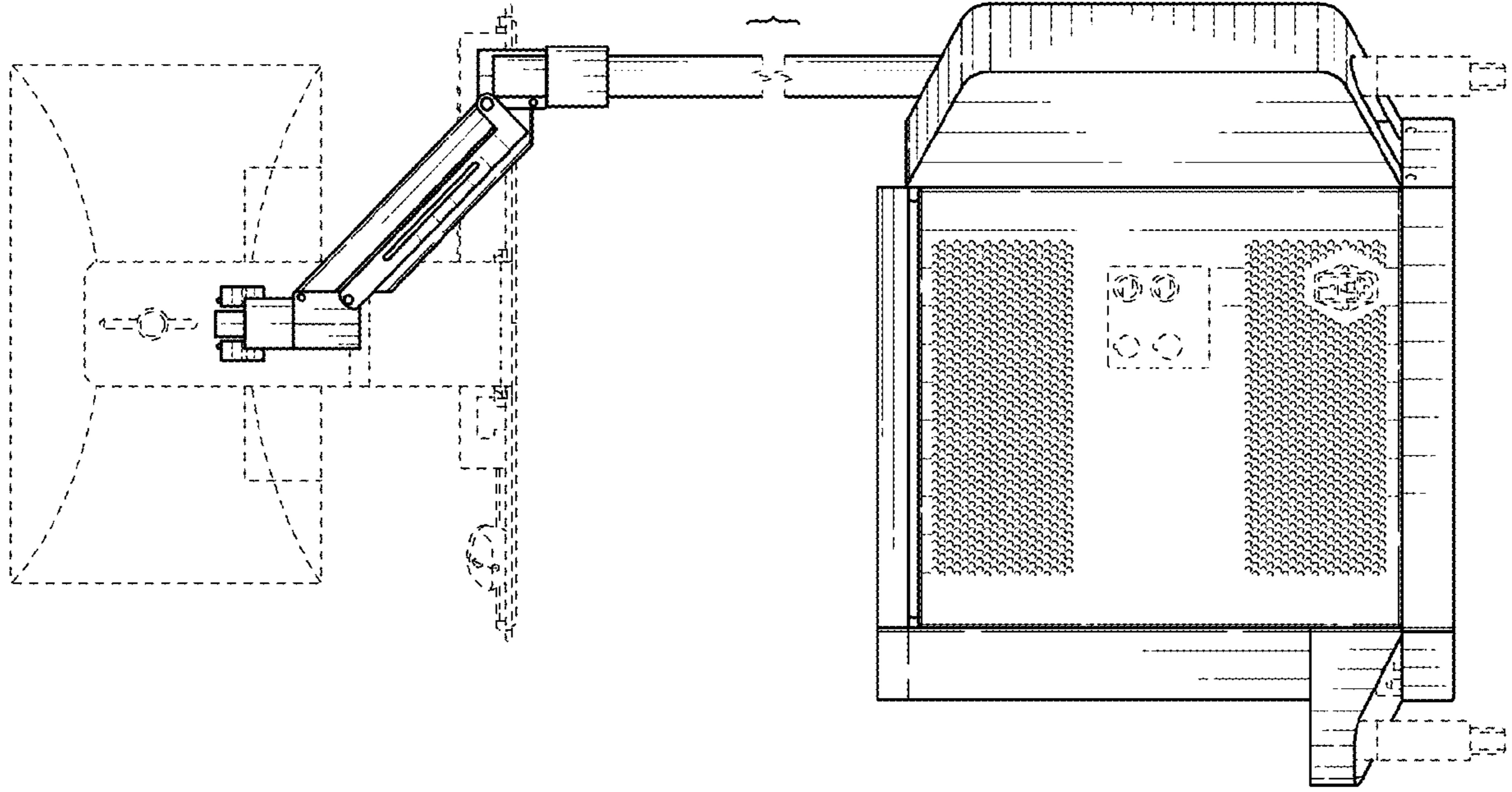


FIG. 3

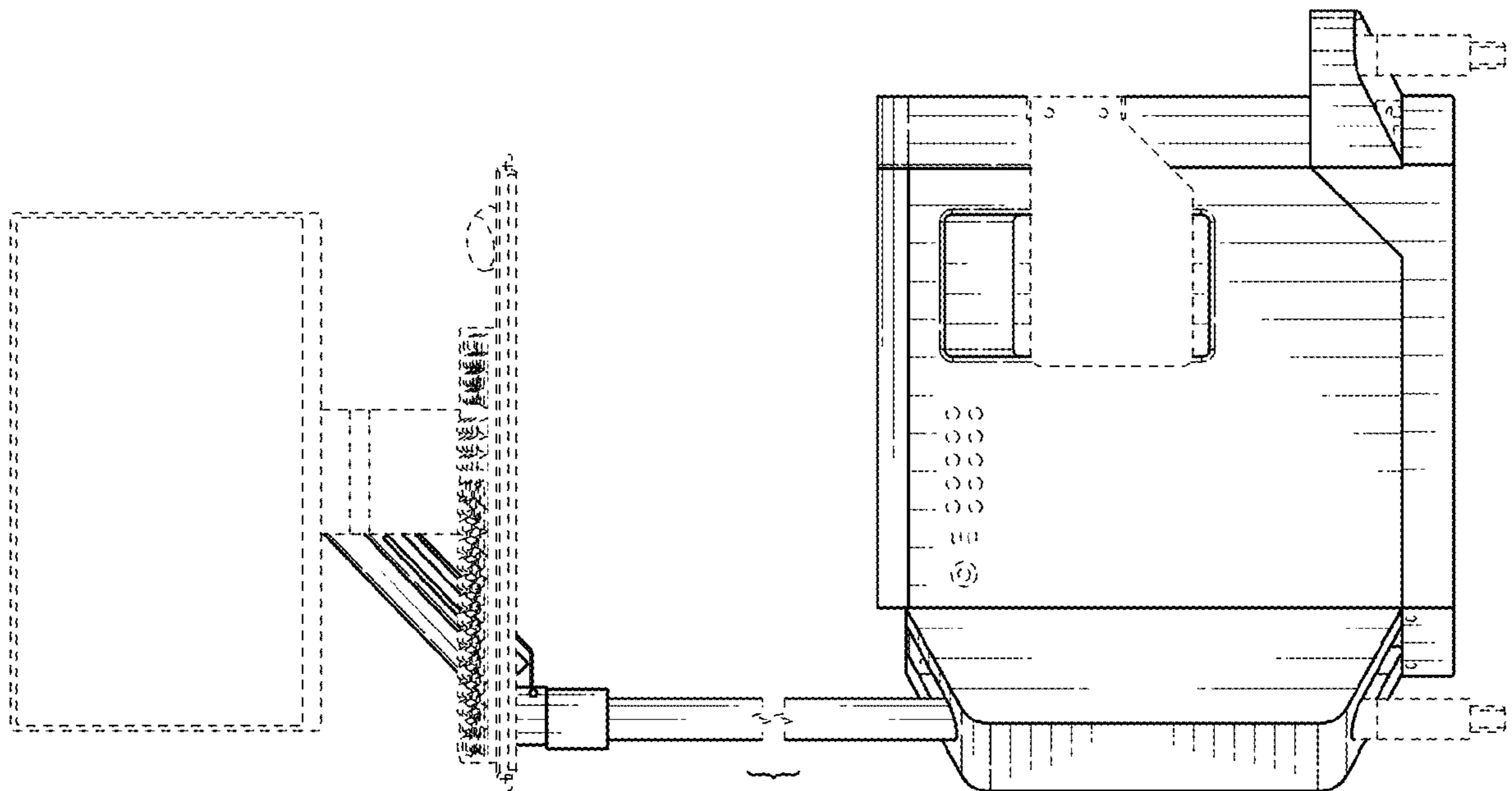


FIG. 4

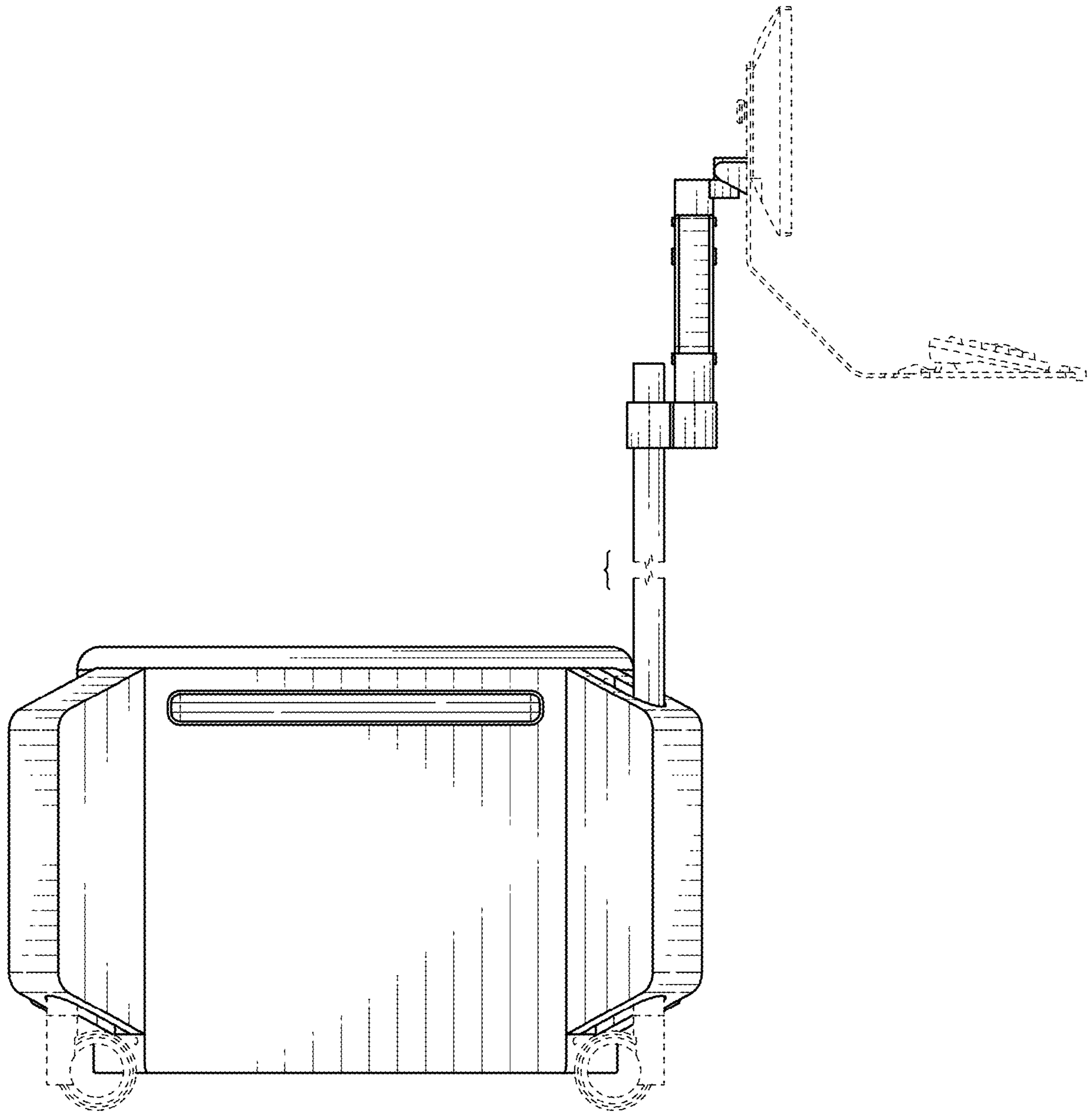


FIG. 5

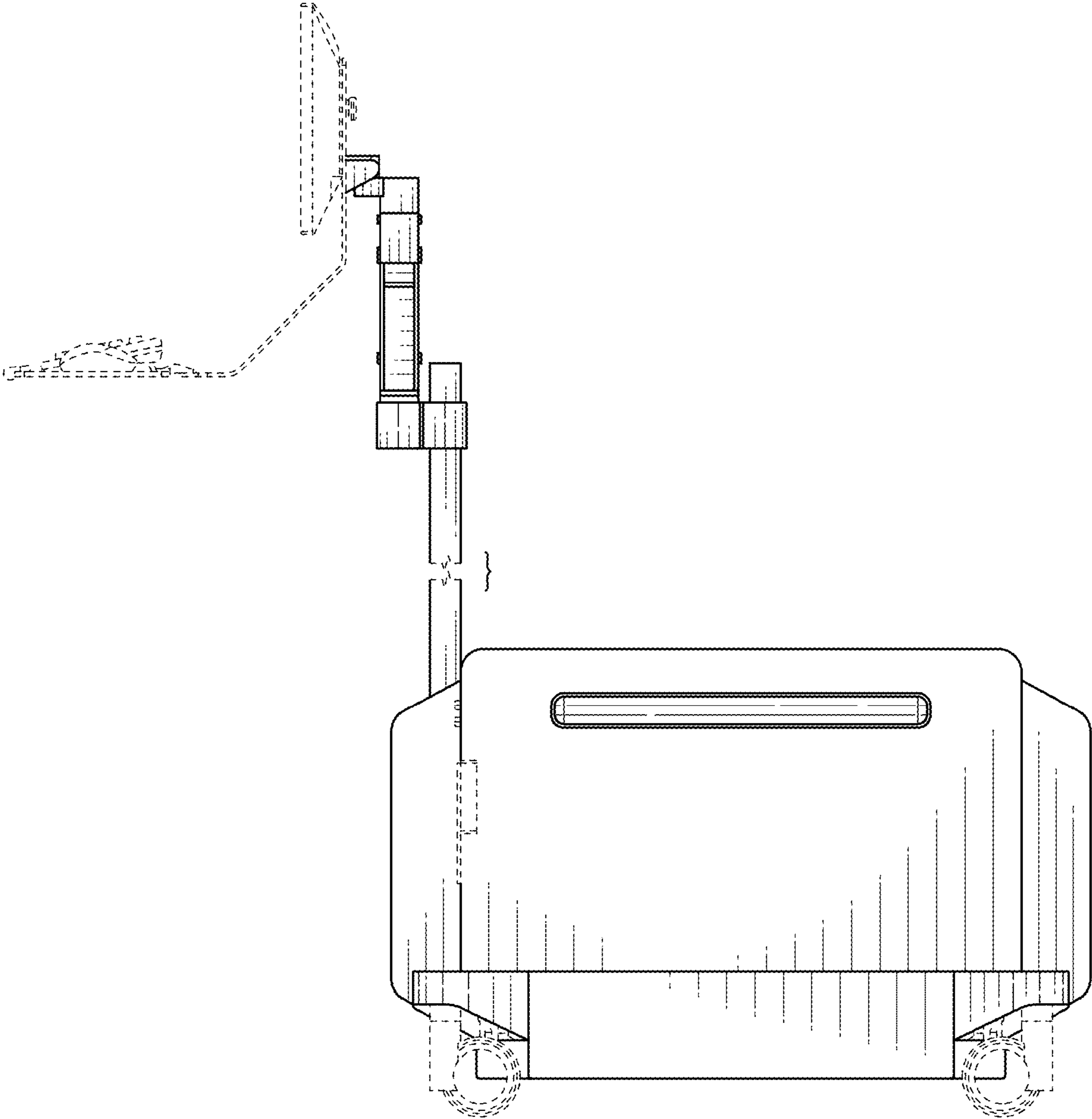


FIG. 6

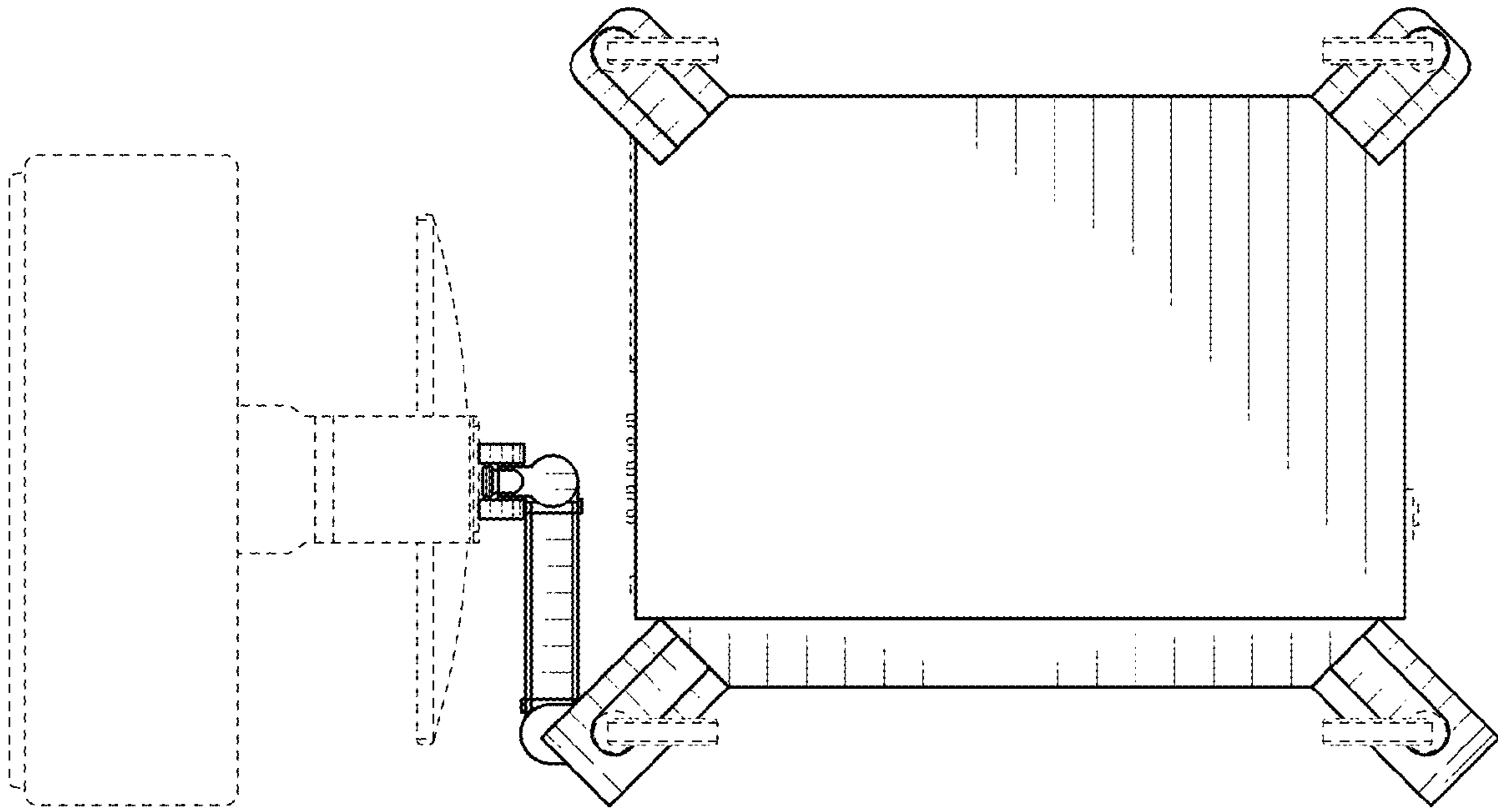


FIG. 7

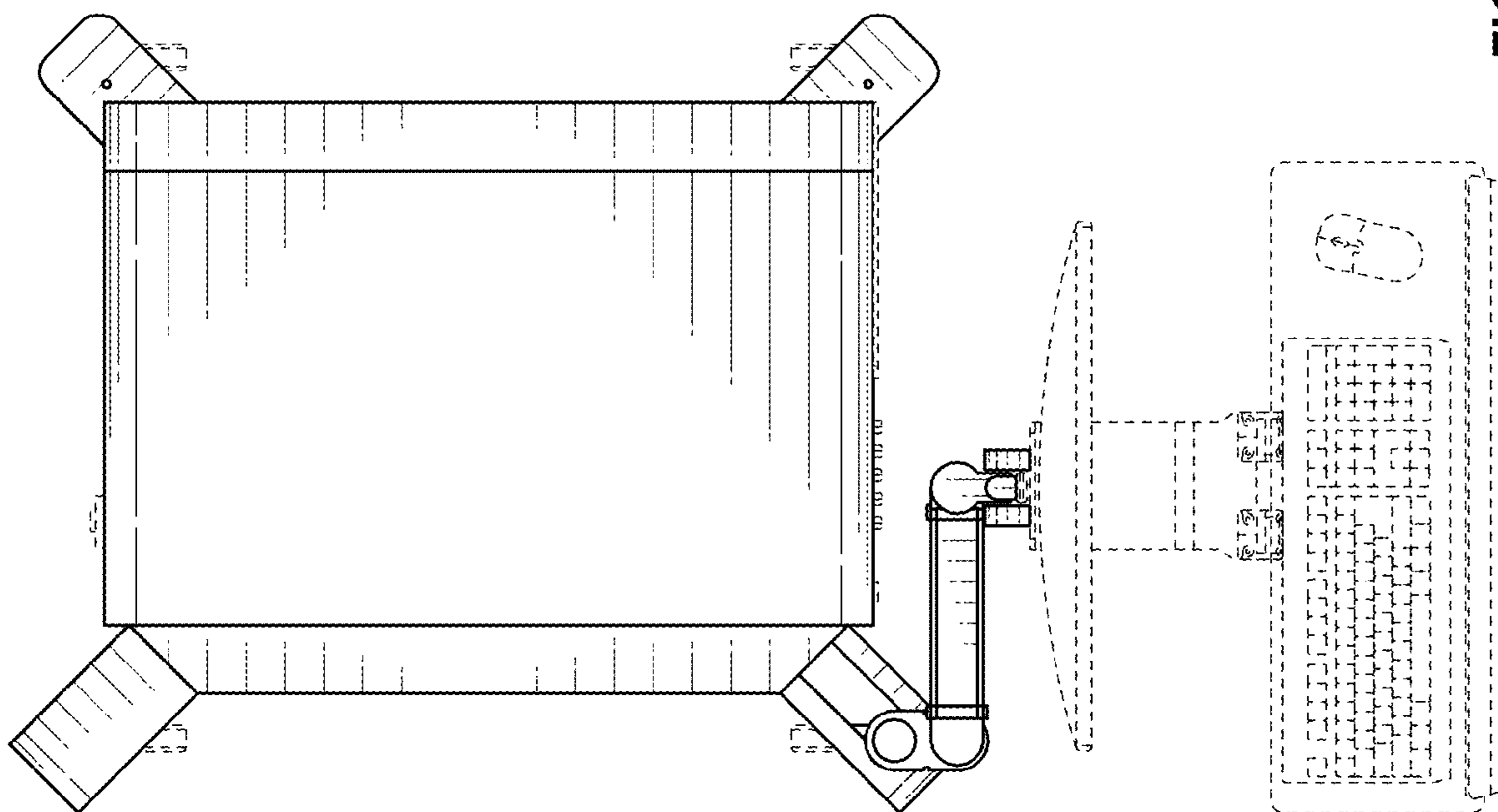


FIG. 8

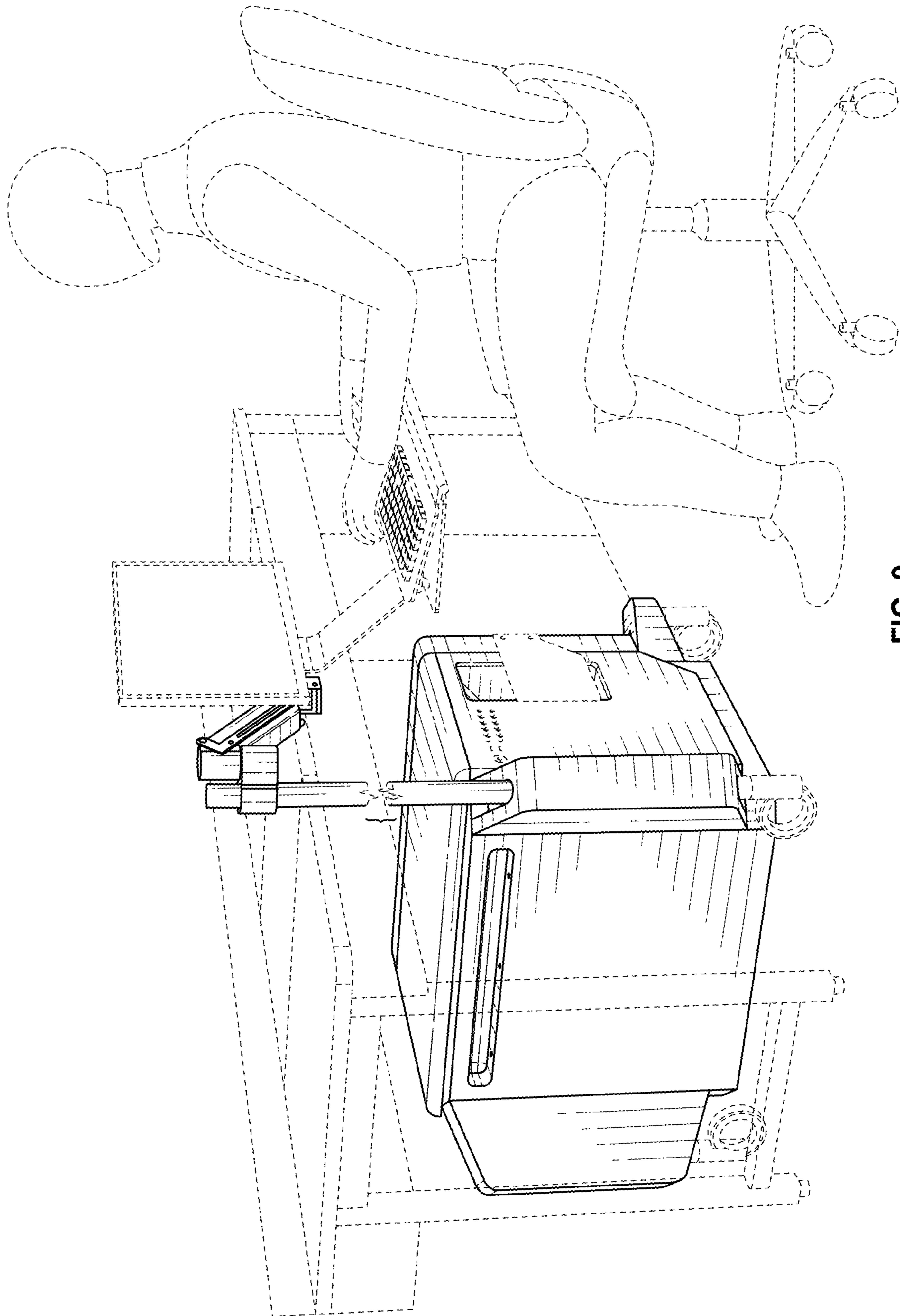
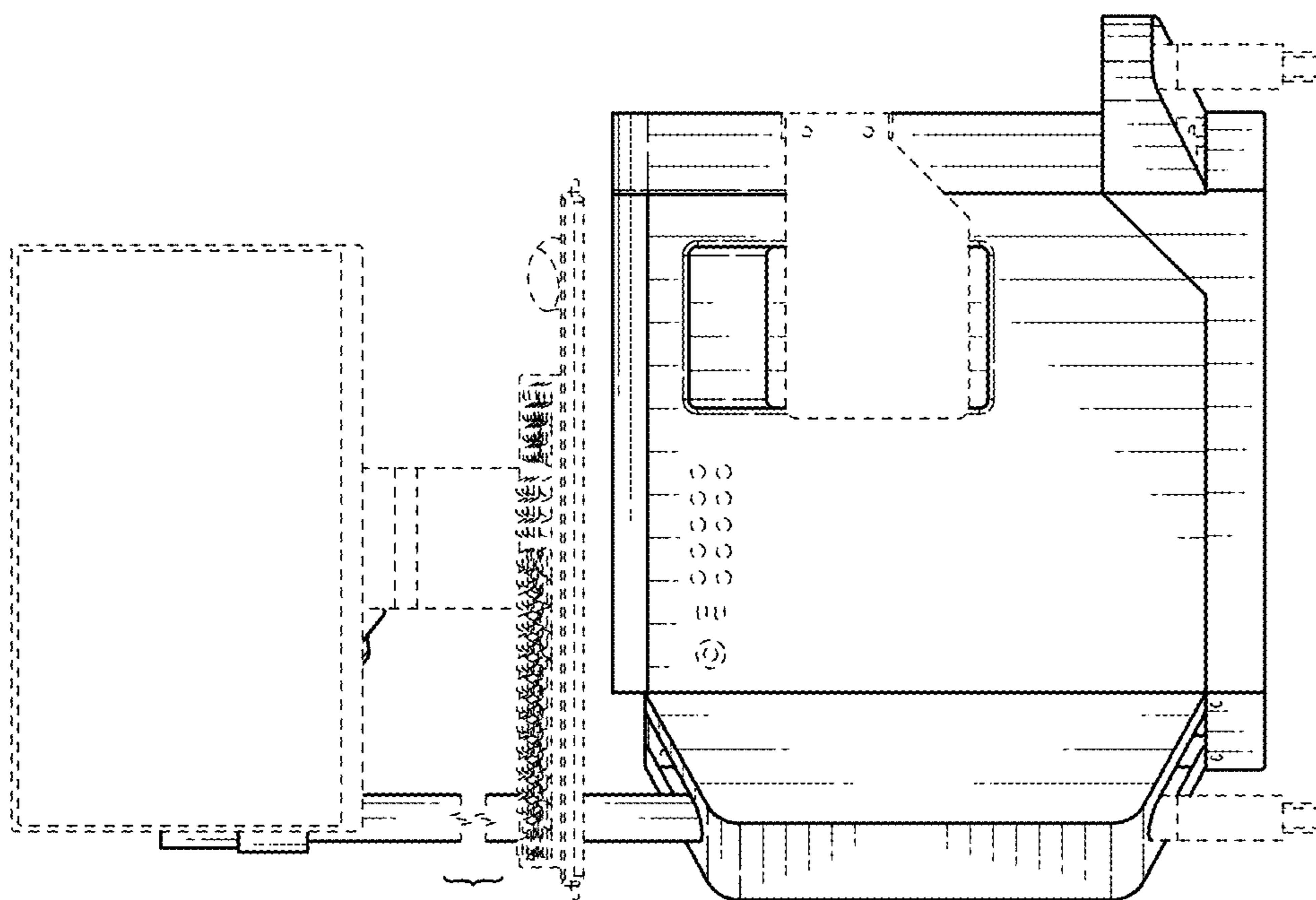
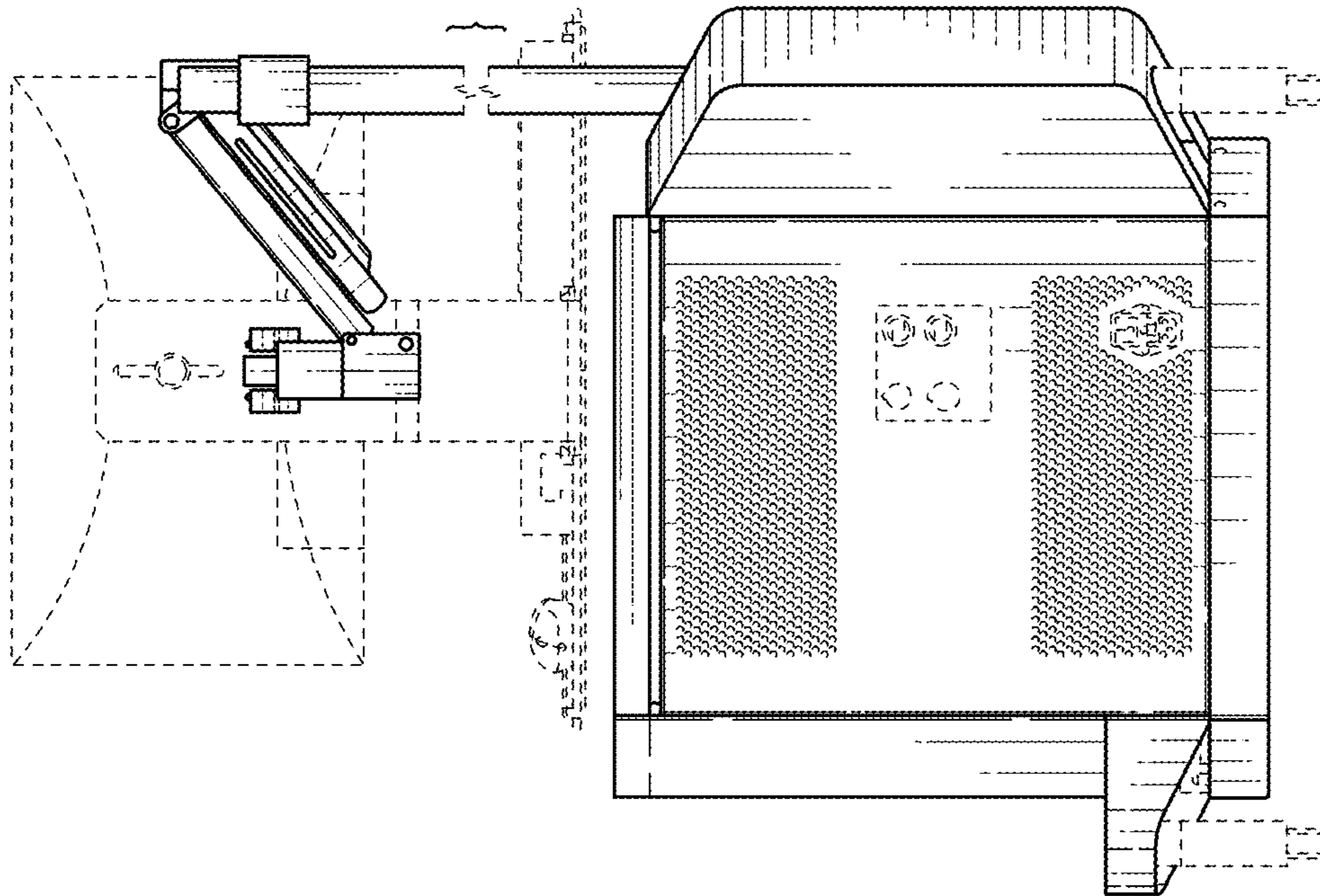


FIG. 9



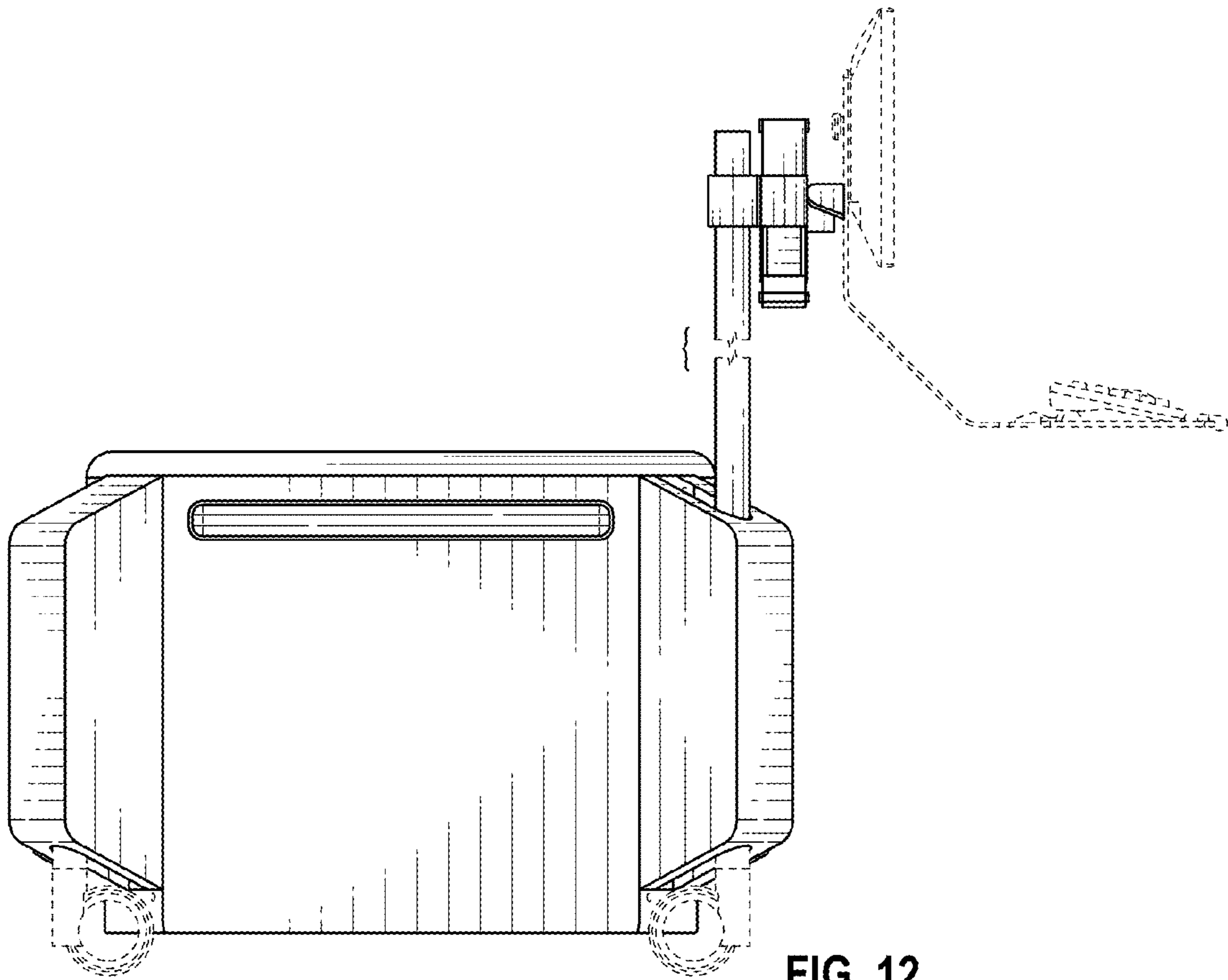


FIG. 12

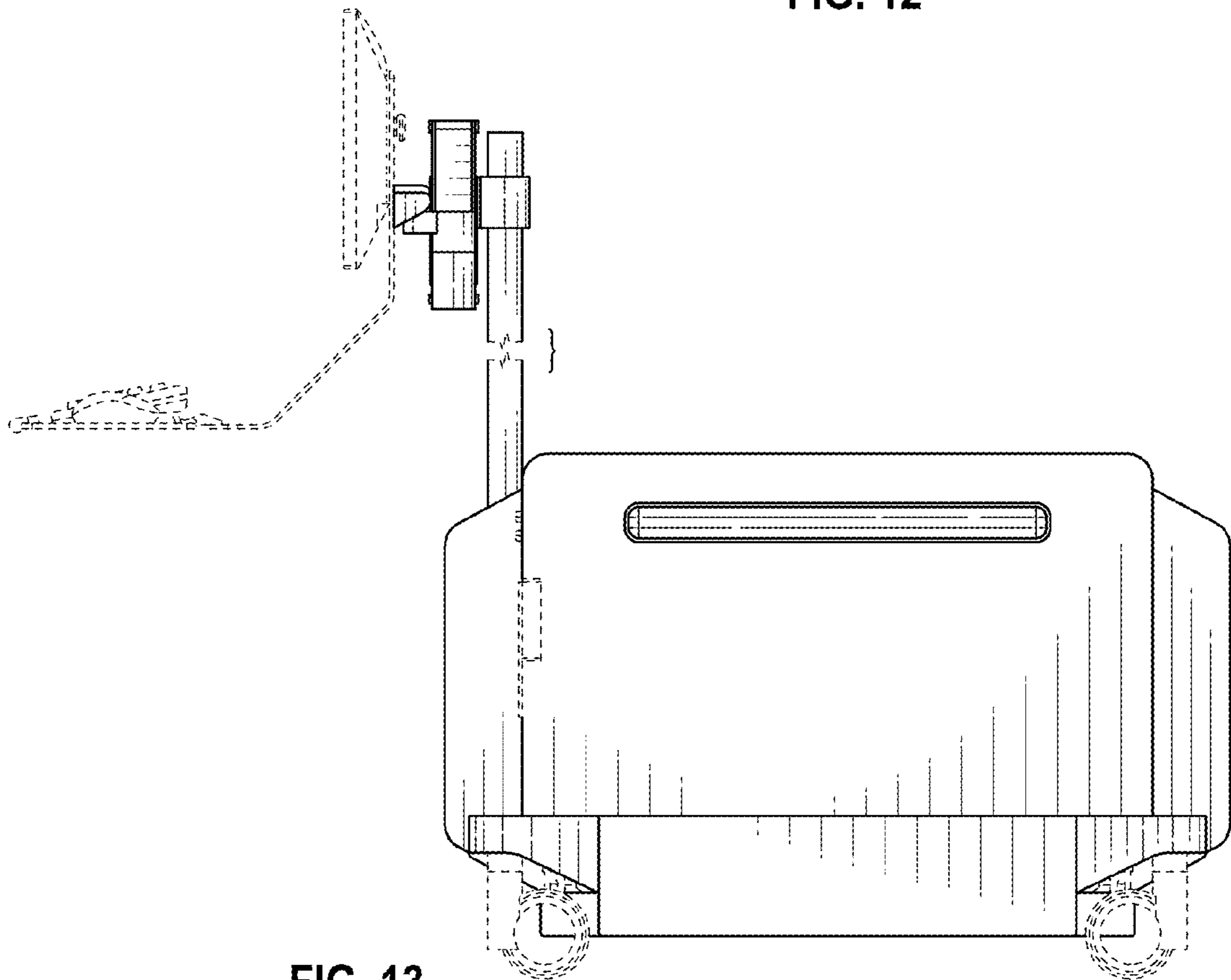


FIG. 13

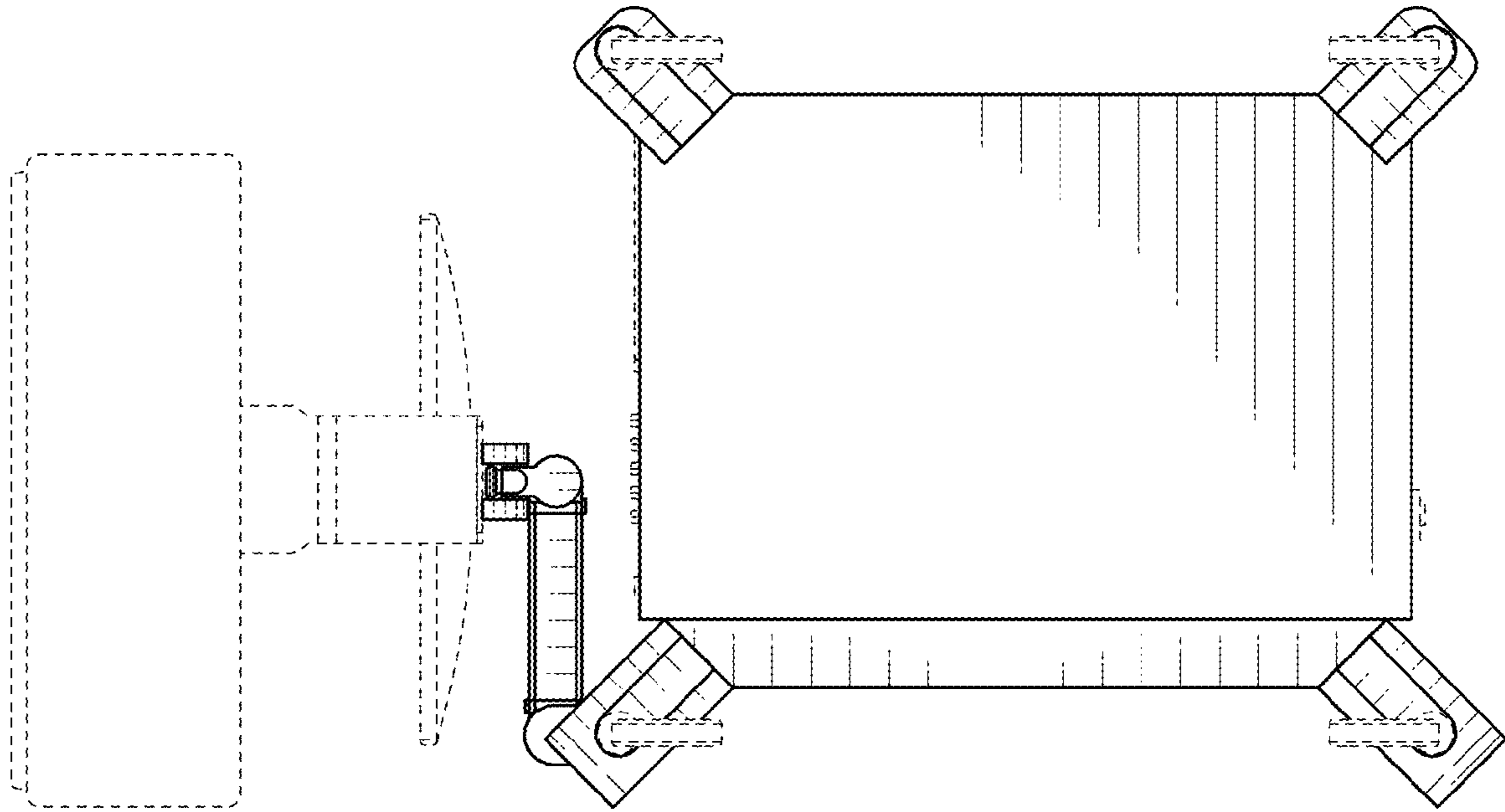


FIG. 15

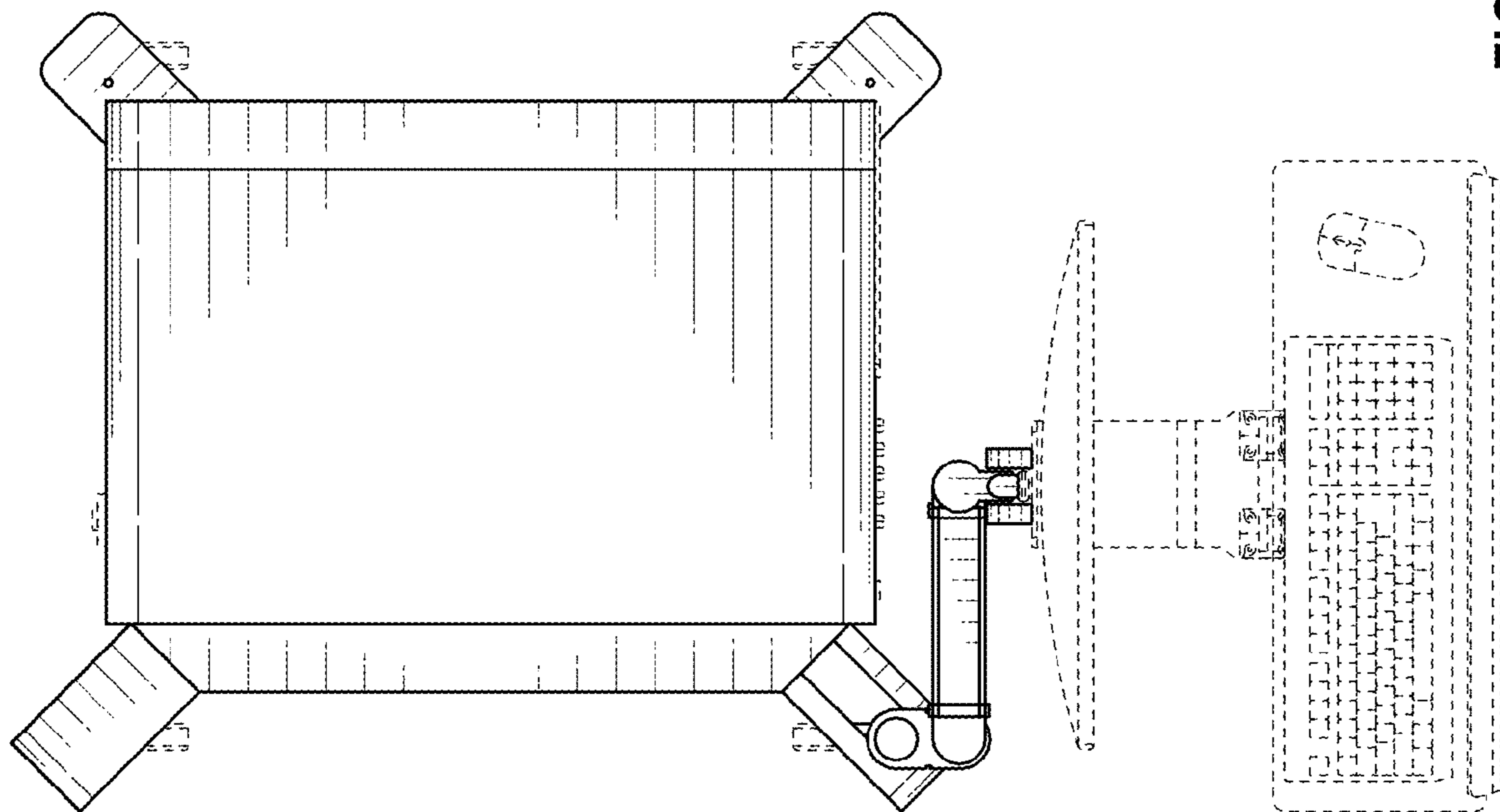


FIG. 14