



US00D961085S

(12) **United States Design Patent**  
**Gügel-Wild**

(10) **Patent No.:** **US D961,085 S**

(45) **Date of Patent:** **\*\* Aug. 16, 2022**

(54) **CONTROL PANEL FOR IMAGING DEVICE**

(71) Applicant: **Siemens Healthcare GmbH**, Erlangen (DE)

(72) Inventor: **Stefanie Gügel-Wild**, Langensendelbach (DE)

(73) Assignee: **Siemens Healthcare GmbH**, Erlangen (DE)

(\*\*) Term: **15 Years**

(21) Appl. No.: **29/749,010**

(22) Filed: **Sep. 2, 2020**

(30) **Foreign Application Priority Data**

Mar. 3, 2020 (EM) ..... 007732664

(51) **LOC (13) Cl.** ..... **24-01**

(52) **U.S. Cl.**  
USPC ..... **D24/158**

(58) **Field of Classification Search**  
USPC ..... D24/107, 158-161, 185, 186; D13/168; D14/218, 388  
CPC .. A61B 6/03; A61B 6/035; A61B 5/05; A61B 5/055  
See application file for complete search history.

(56) **References Cited**

**U.S. PATENT DOCUMENTS**

D503,804 S \* 4/2005 Phleps ..... D24/165  
D672,753 S \* 12/2012 Kadivar ..... D14/218

D700,340 S \* 2/2014 Tan ..... D24/158  
D739,384 S \* 9/2015 Won ..... D14/218  
D752,224 S \* 3/2016 Park ..... D24/158  
D808,530 S \* 1/2018 Bak ..... D24/158  
D810,295 S \* 2/2018 Kim ..... D24/158  
D868,969 S \* 12/2019 Avranches ..... D24/158  
D873,804 S \* 1/2020 Garcia ..... D14/218  
D882,797 S \* 4/2020 Avranches ..... D24/158  
D909,588 S \* 2/2021 Hulford ..... D24/185  
D940,327 S \* 1/2022 Lee ..... D24/186  
2021/0405700 A1 \* 12/2021 Betz ..... A61B 5/0077

\* cited by examiner

*Primary Examiner* — Anhdao Doan

(74) *Attorney, Agent, or Firm* — Banner & Witcoff Ltd.

(57) **CLAIM**

The ornamental design for a control panel for imaging device, as shown and described.

**DESCRIPTION**

FIG. 1 is a front elevational view of a control panel for imaging device showing our new design; FIG. 2 is a back elevational view thereof; FIG. 3 is a top plan view thereof; FIG. 4 is a bottom plan view thereof; FIG. 5 is a right-side elevational view thereof; FIG. 6 is a left-side elevational view thereof; and, FIG. 7 is a top, front, right-hand side perspective view thereof.

**1 Claim, 7 Drawing Sheets**

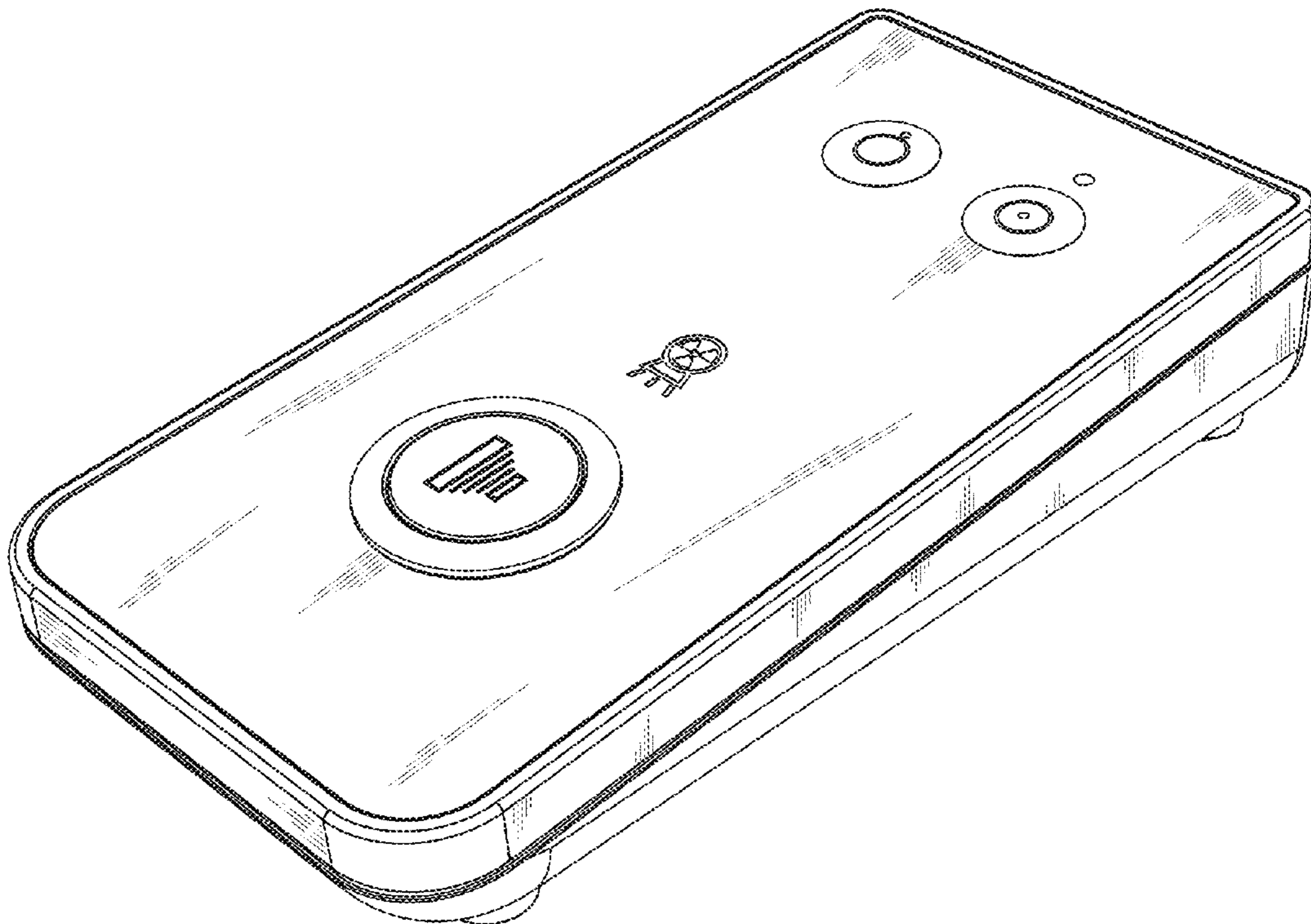


FIG. 1

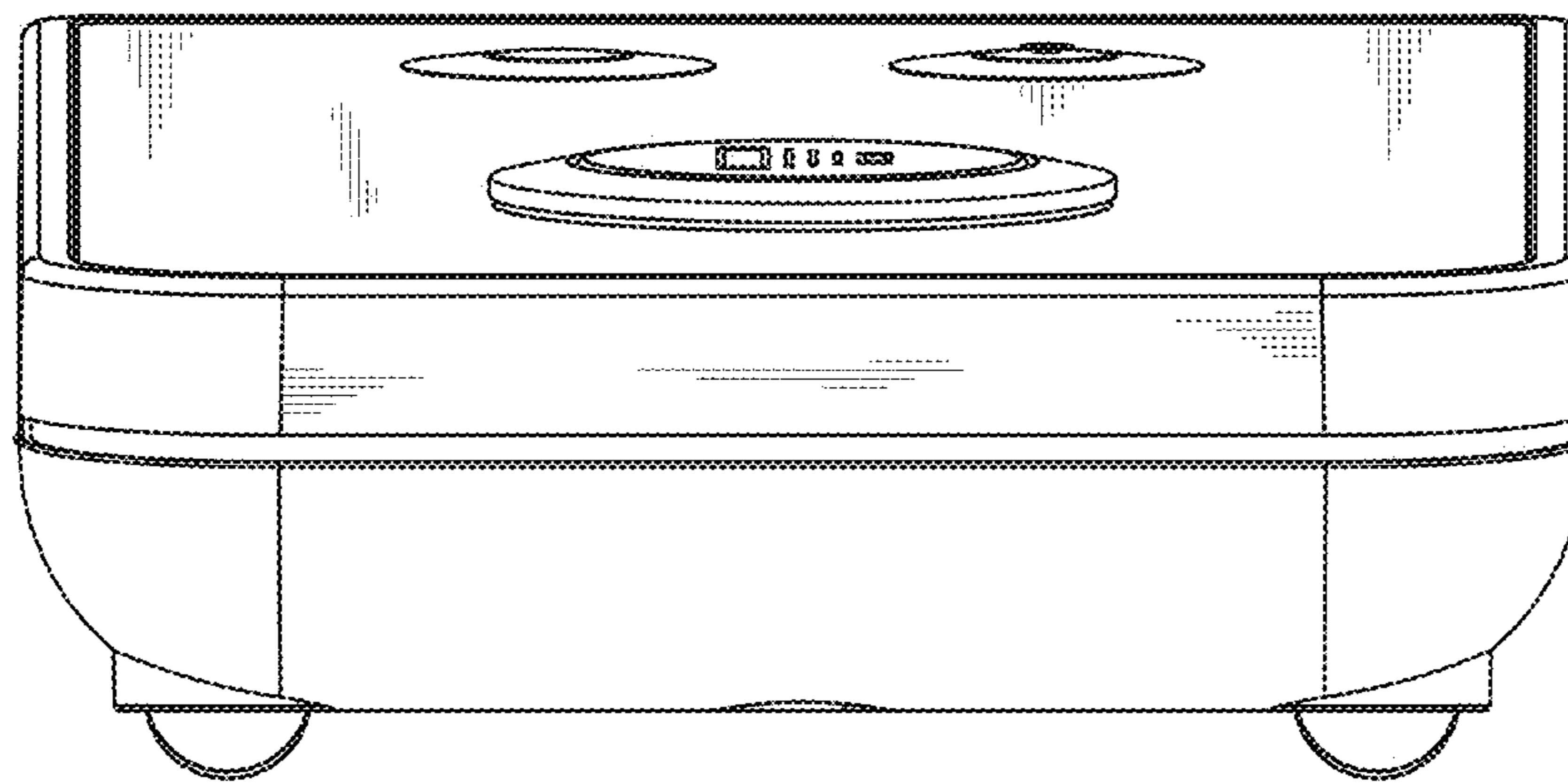


FIG. 2

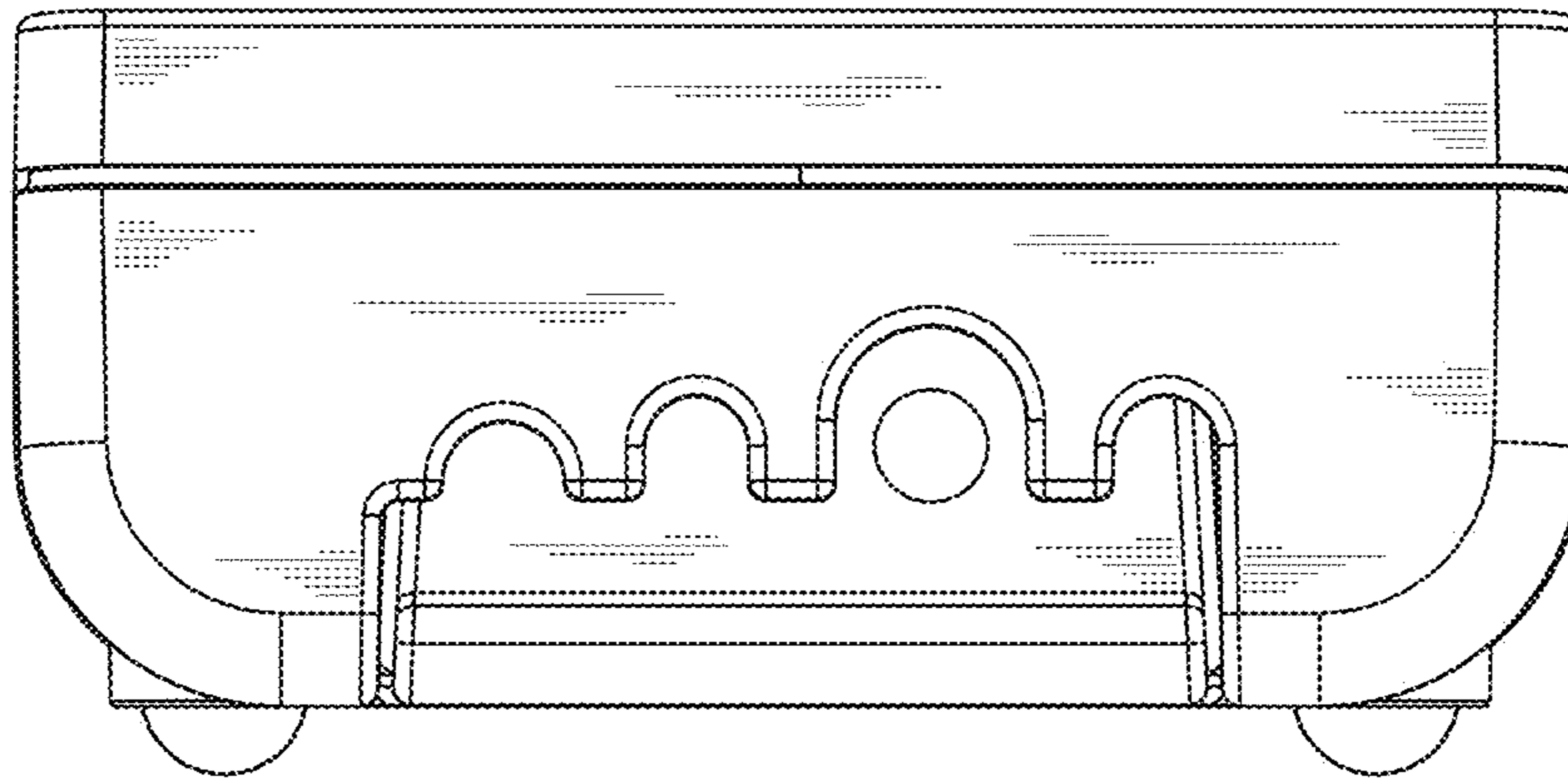


FIG. 3

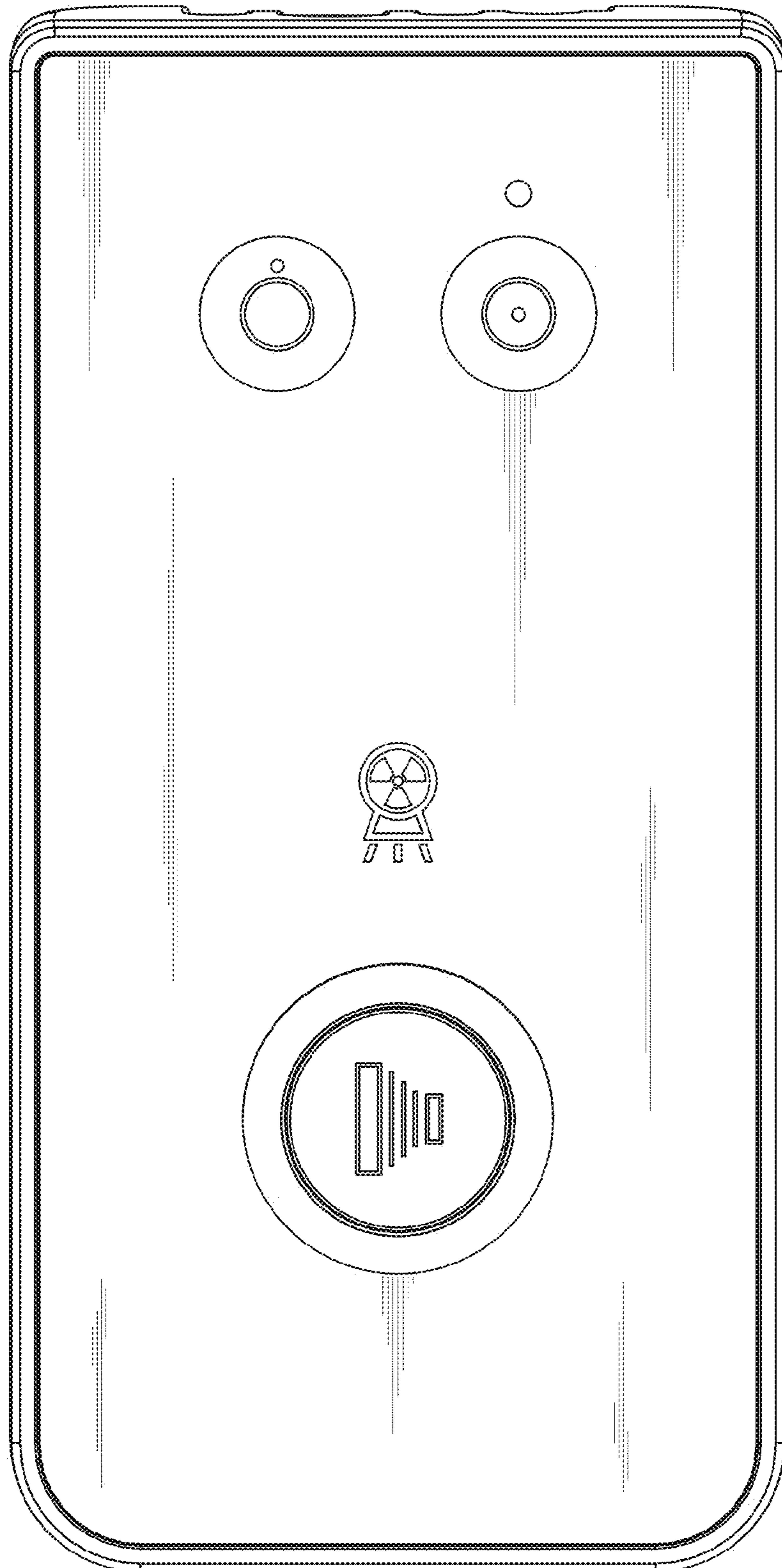


FIG. 4

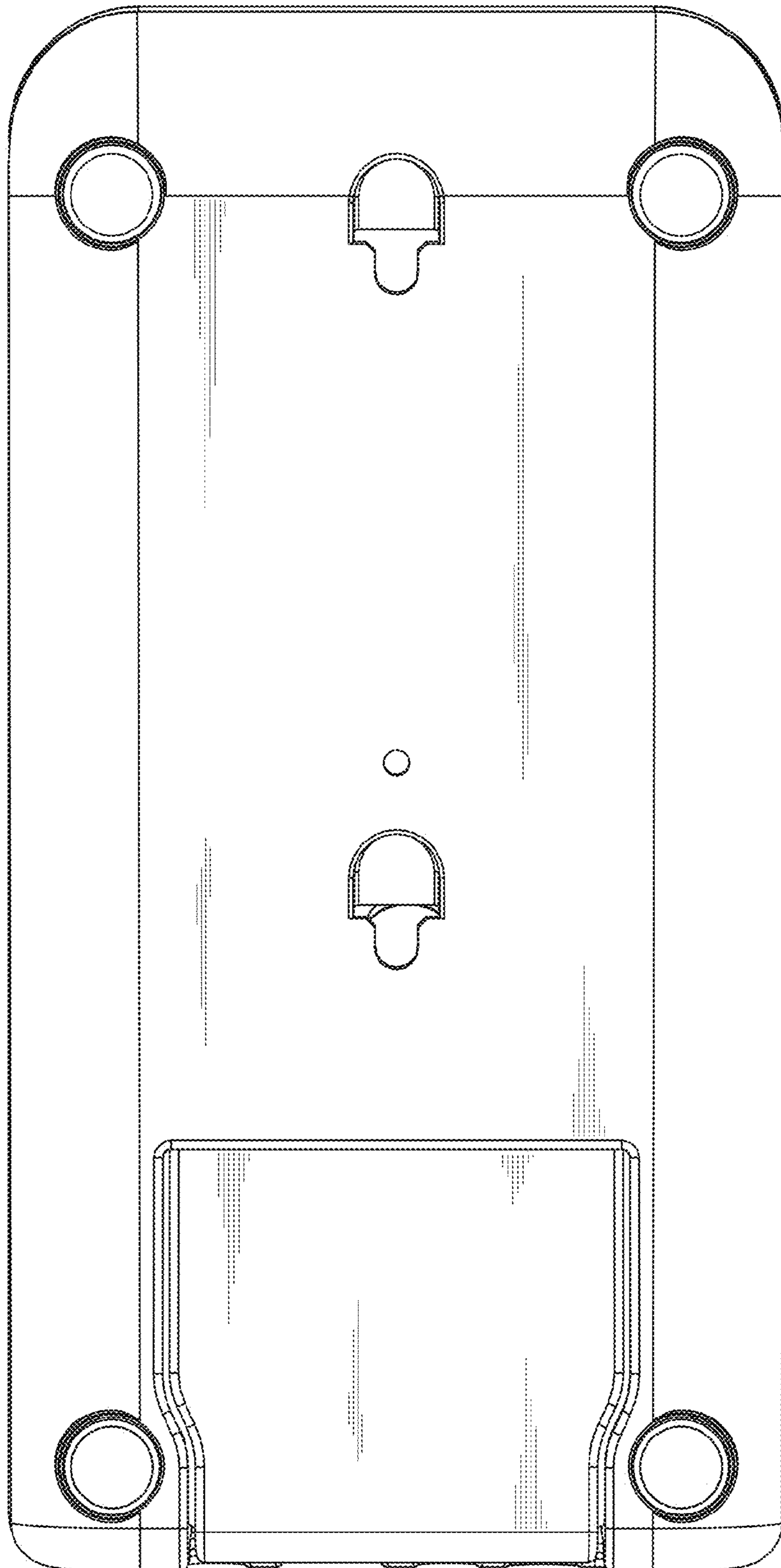


FIG. 5

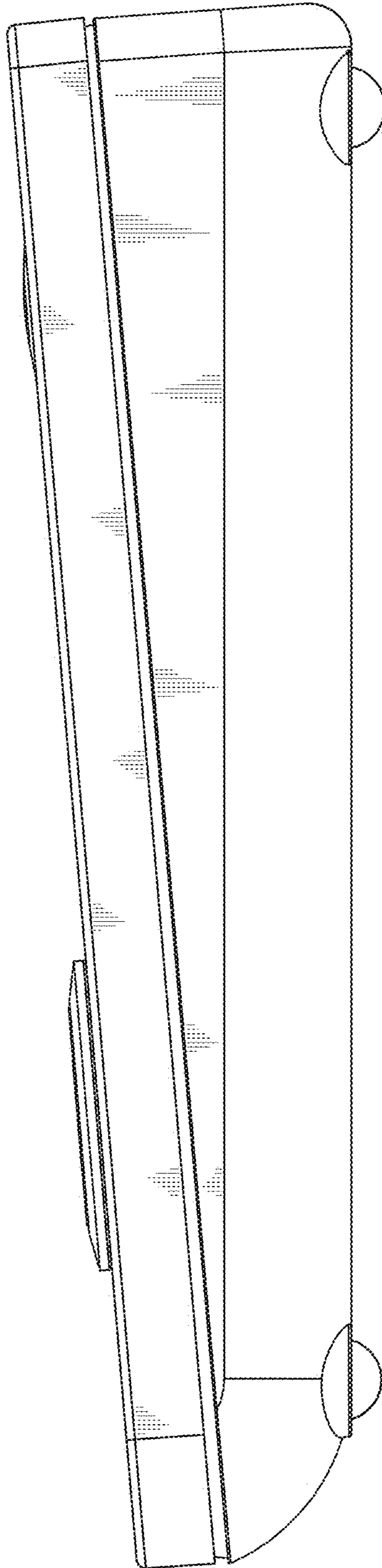


FIG. 6

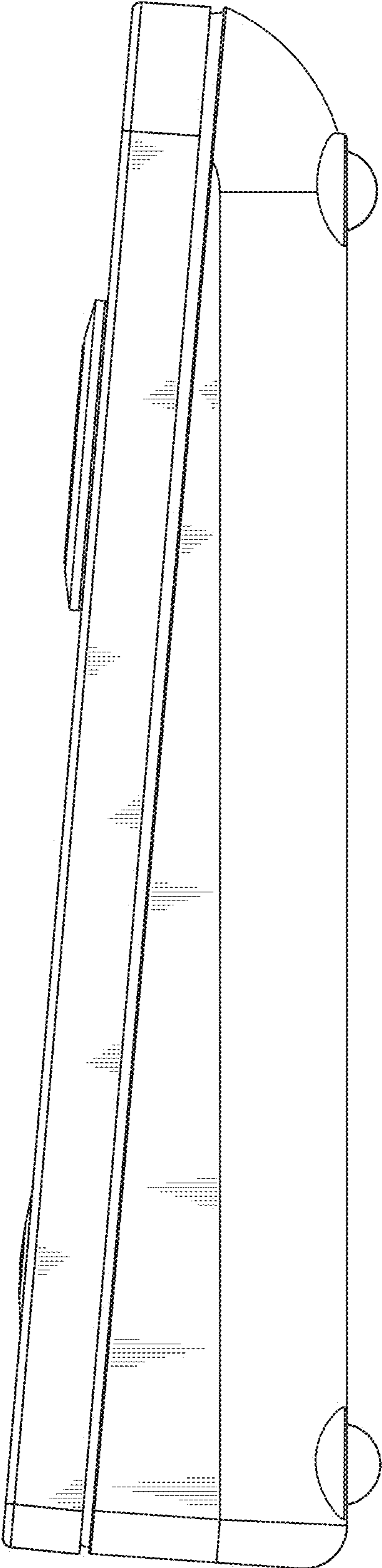


FIG. 7

