



US00D961083S

(12) **United States Design Patent** (10) **Patent No.:** **US D961,083 S**  
**Abenaim** (45) **Date of Patent:** **\*\* Aug. 16, 2022**

(54) **SCAN BODY**

(71) Applicant: **Jonathan Abenaim**, Hawthorne, NJ  
(US)

(72) Inventor: **Jonathan Abenaim**, Hawthorne, NJ  
(US)

(\*\*) Term: **15 Years**

(21) Appl. No.: **29/758,315**

(22) Filed: **Nov. 13, 2020**

(51) **LOC (13) Cl.** ..... **24-03**

(52) **U.S. Cl.**  
USPC ..... **D24/156**

(58) **Field of Classification Search**  
USPC ..... D24/155, 156  
CPC ..... A61C 8/00; A61C 8/0089; A61C 8/0069;  
A61C 8/0054; A61C 8/0096; A61C  
8/0039; A61C 8/0063; A61C 8/006; A61C  
8/0001; A61C 8/0012; A61C 8/0075;  
A61C 8/0083

See application file for complete search history.

(56) **References Cited**

**U.S. PATENT DOCUMENTS**

D688,799 S \* 8/2013 Steinbrecher ..... D24/155  
D787,061 S \* 5/2017 Jo ..... D24/156  
D808,016 S \* 1/2018 Kim ..... D24/156  
D808,525 S \* 1/2018 Kim ..... D24/156  
2012/0230567 A1\* 9/2012 Greenberg ..... G09B 23/283  
378/204  
2014/0377714 A1\* 12/2014 Jahn ..... A61B 6/145  
433/29  
2016/0346065 A1\* 12/2016 Chung ..... A61C 9/004

2017/0151038 A1\* 6/2017 Fan ..... A61C 8/0074  
2018/0055607 A1\* 3/2018 Musheev ..... A61C 8/006  
2018/0353267 A1\* 12/2018 Montero ..... A61C 8/0059  
2019/0247149 A1\* 8/2019 Simmonds ..... A61C 8/005  
2021/0401549 A1\* 12/2021 Lee ..... G16H 30/40

**OTHER PUBLICATIONS**

www.Dess-usa.com DESS products 5 pages.

\* cited by examiner

*Primary Examiner* — Charles D Hanson

(74) *Attorney, Agent, or Firm* — Cozen O'Connor

(57) **CLAIM**

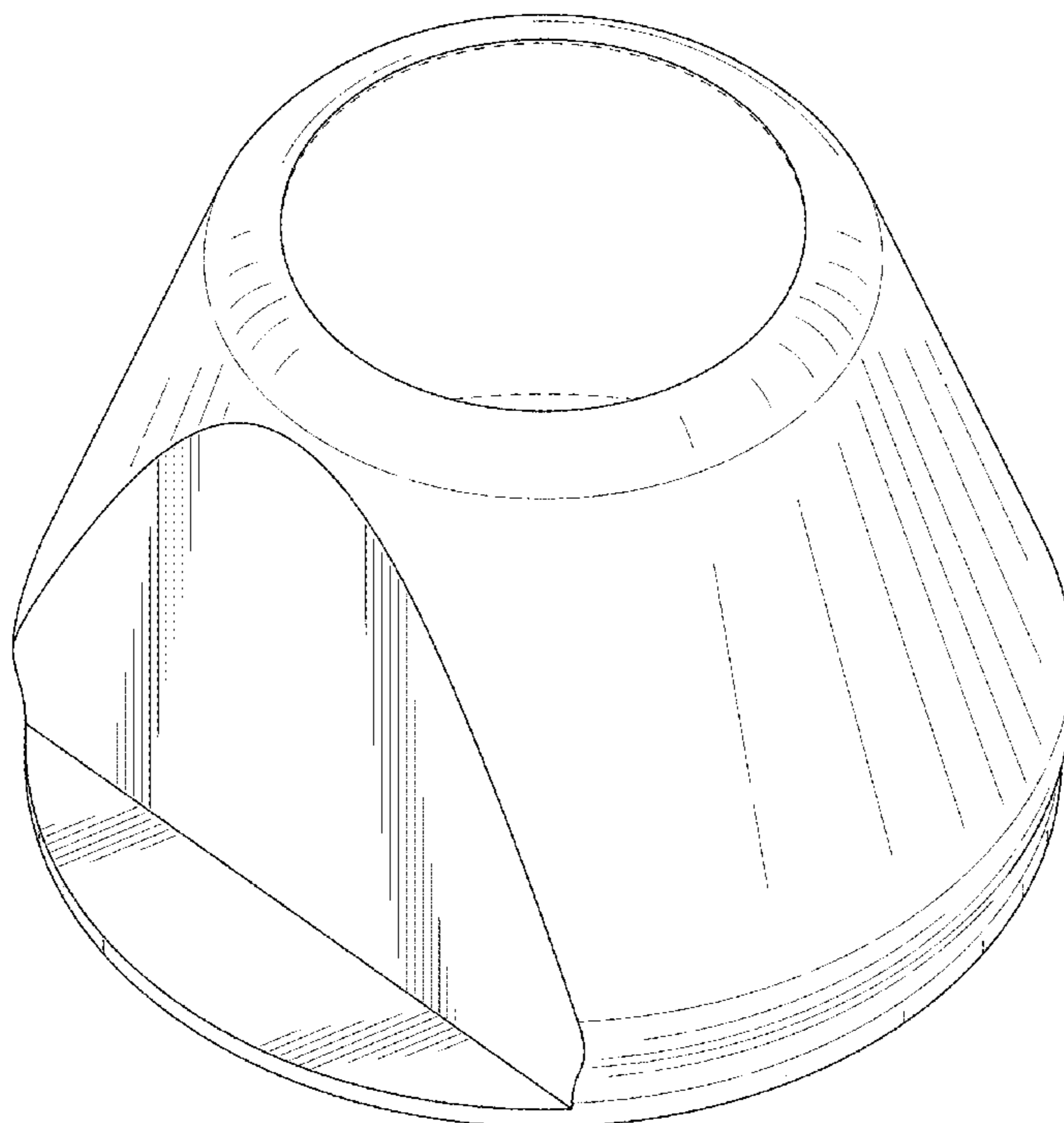
The ornamental design for a scan body, as shown and described.

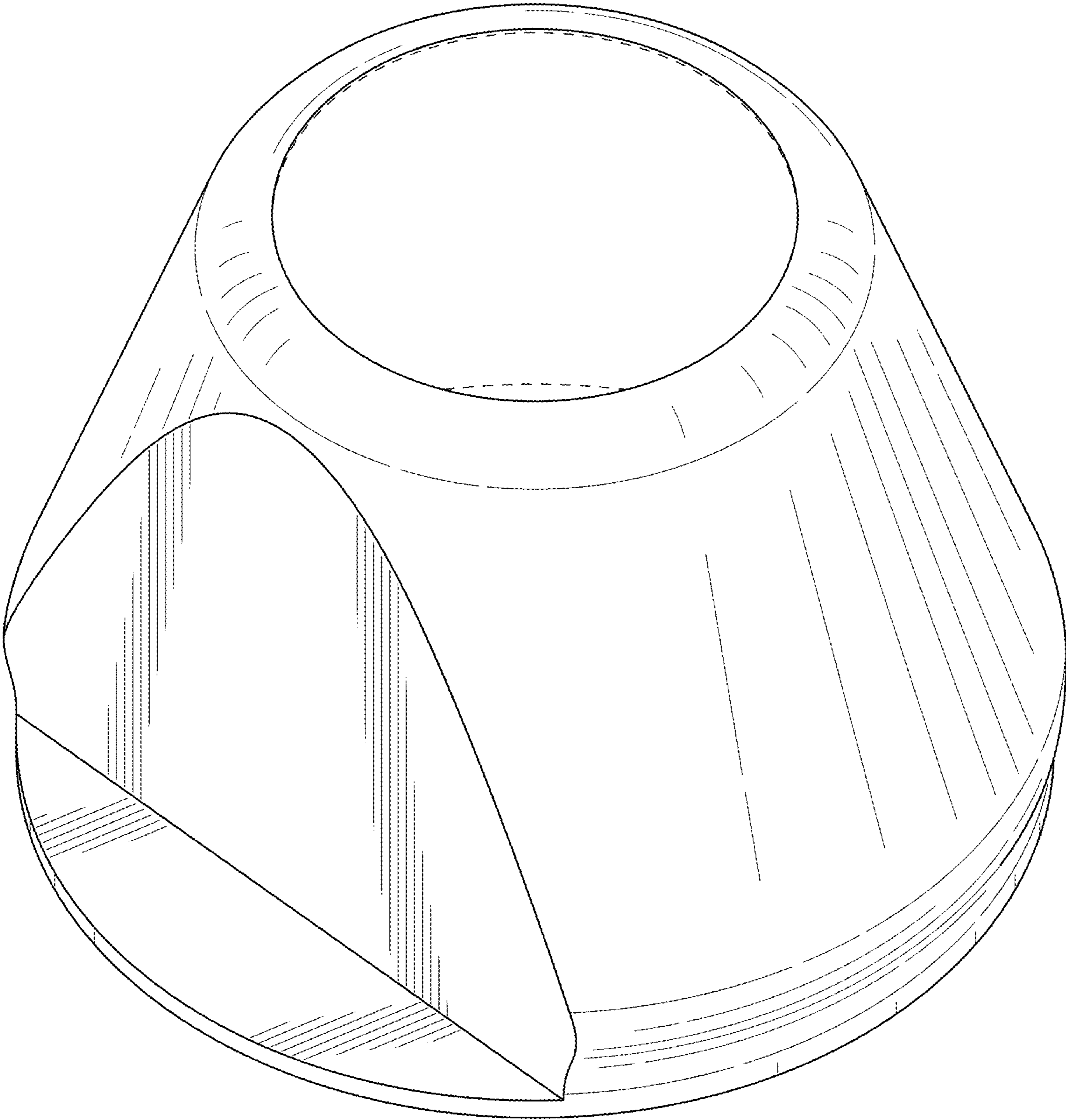
**DESCRIPTION**

FIG. 1 is a front, top, right perspective view of a scan body;  
FIG. 2 is a rear bottom left perspective view;  
FIG. 3 is a front view;  
FIG. 4 is a back view;  
FIG. 5 is a left view;  
FIG. 6 is a right view;  
FIG. 7 is a top view; and,  
FIG. 8 is a bottom view.

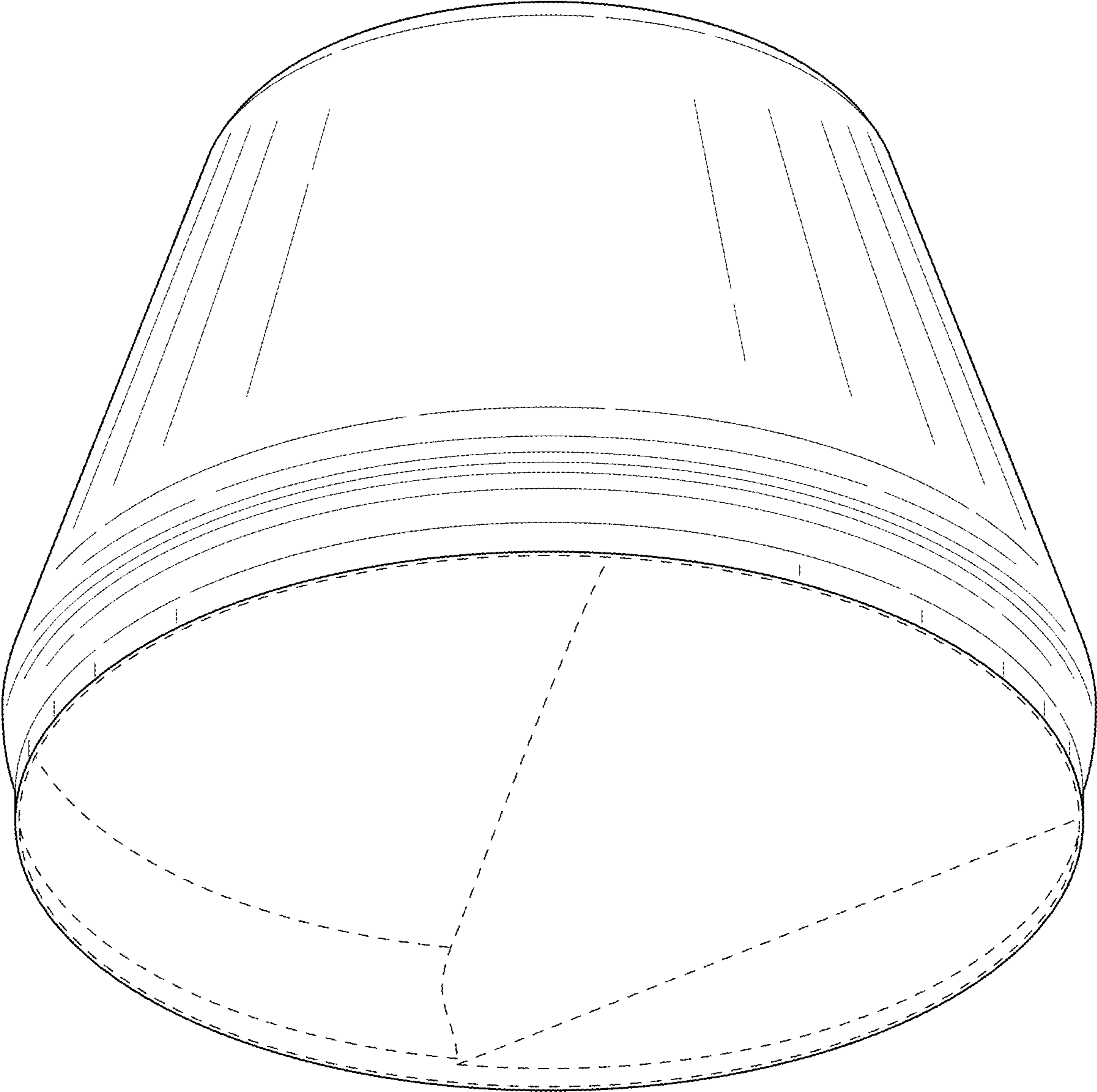
The broken lines indicate portions of the scan body that do not form part of the claimed design.

**1 Claim, 8 Drawing Sheets**

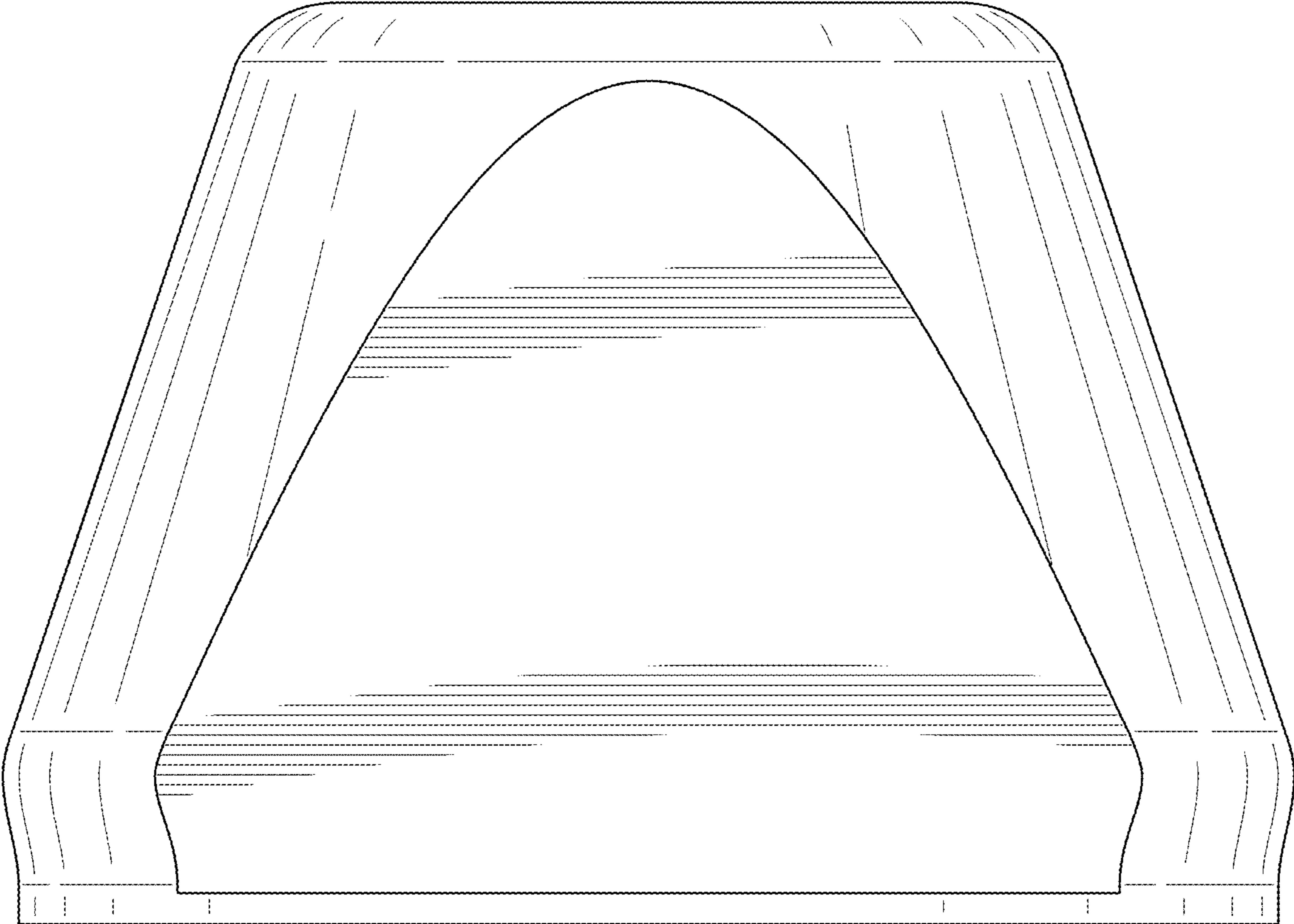




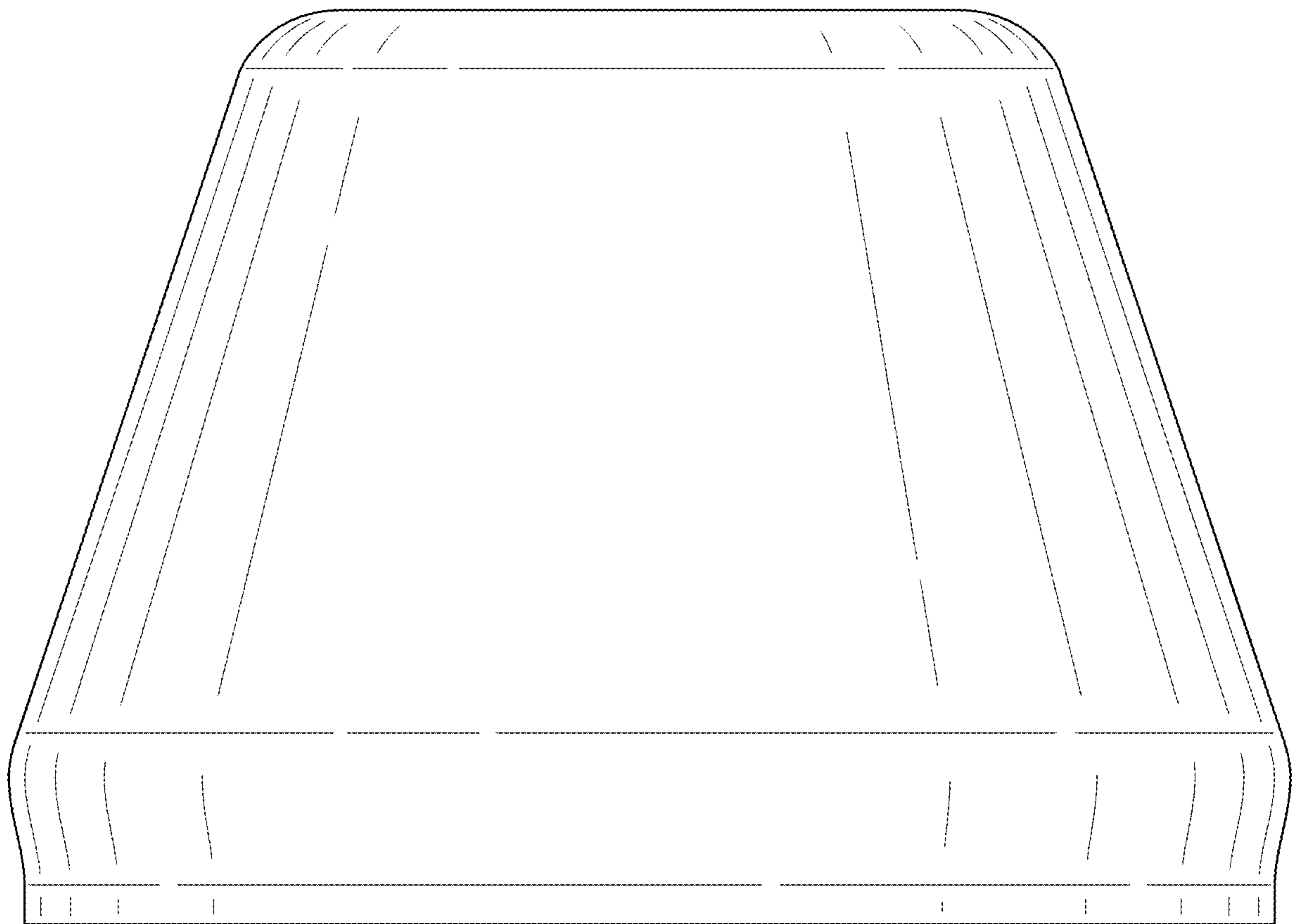
**FIG. 1**



**FIG. 2**



**FIG. 3**



**FIG. 4**

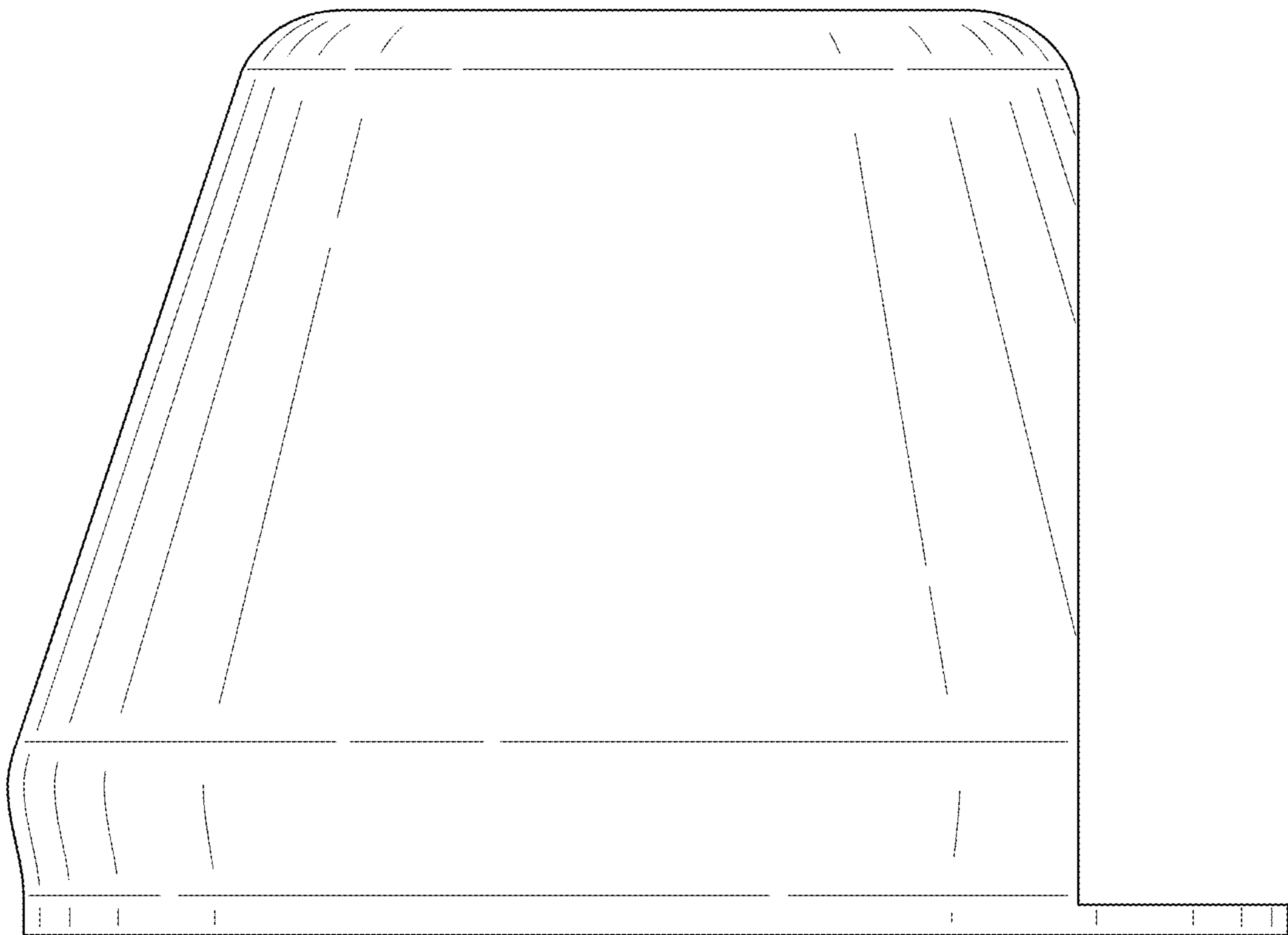
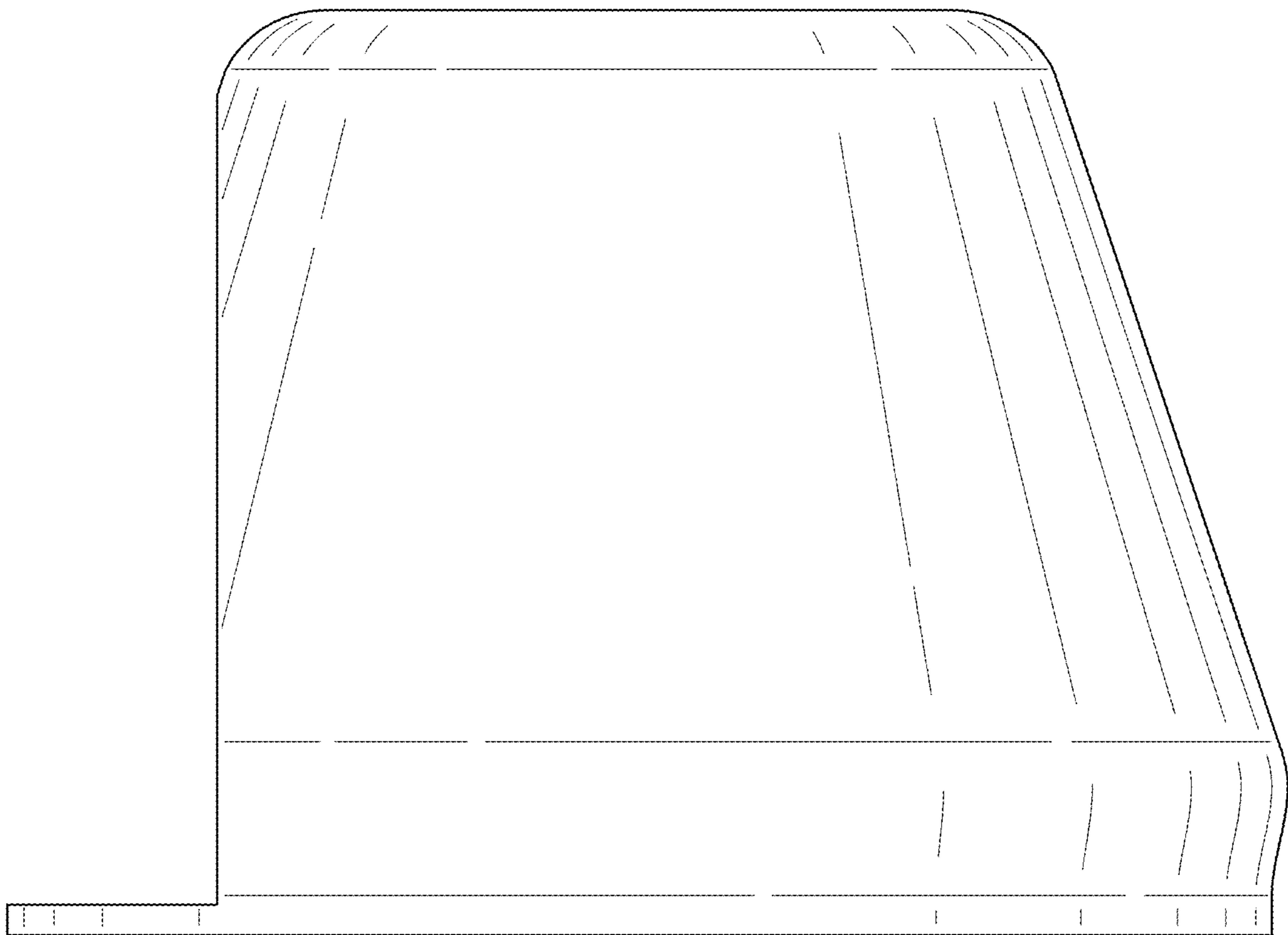
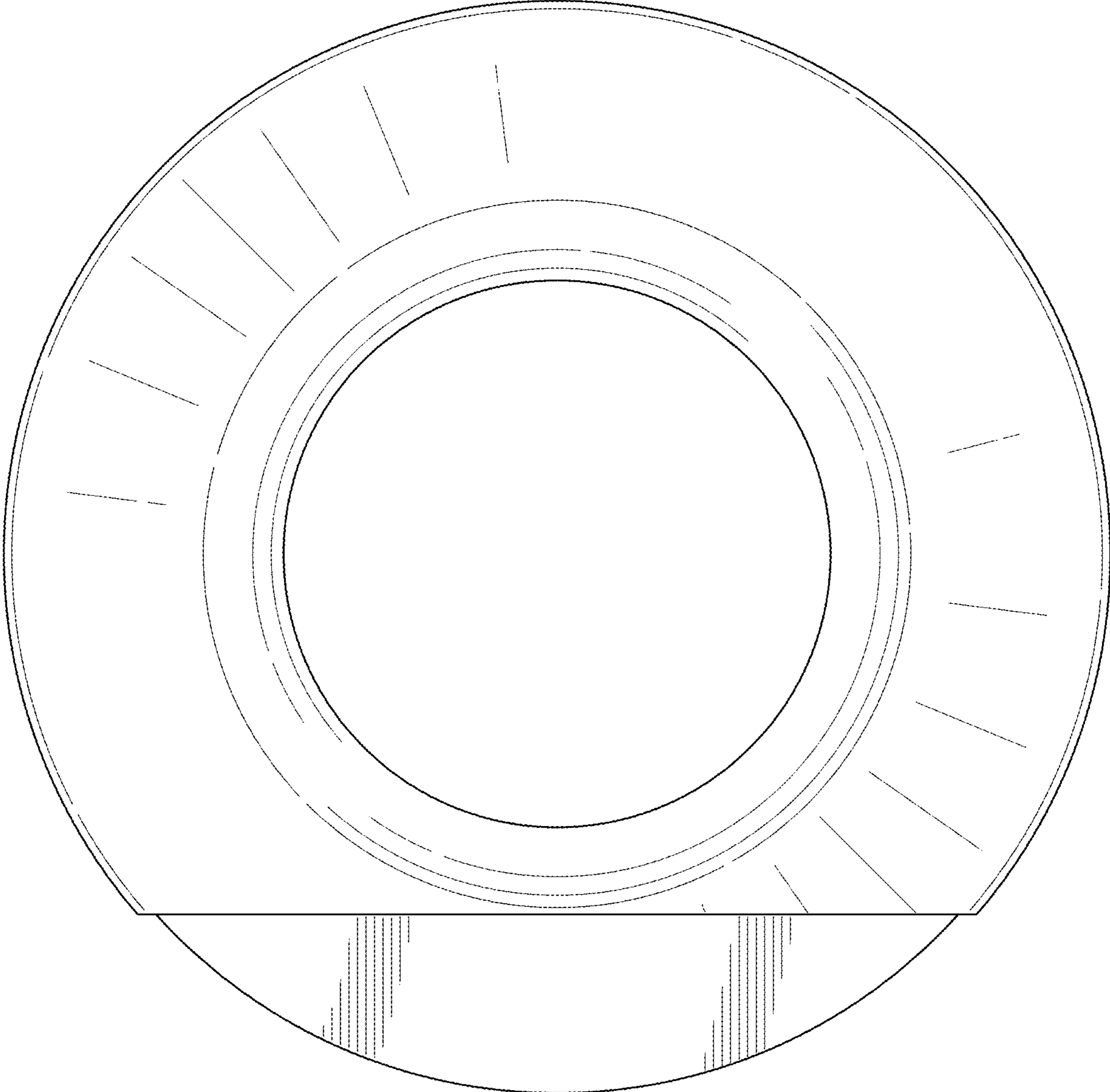


FIG. 5

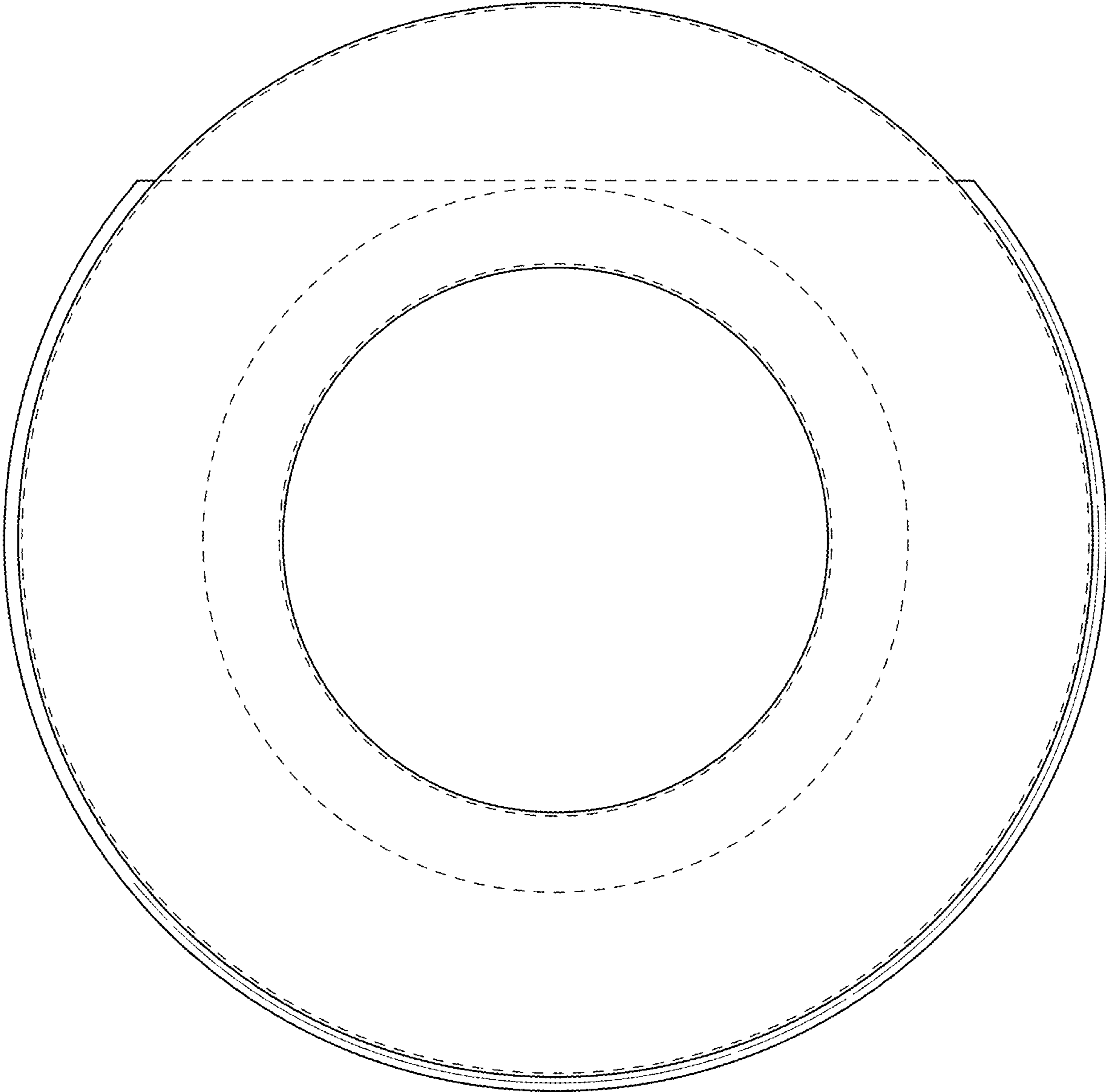


**FIG. 6**



**FIG. 7**





**FIG. 8**