



US00D961076S

(12) **United States Design Patent** (10) **Patent No.:** **US D961,076 S**
Wang (45) **Date of Patent:** **** Aug. 16, 2022**

(54) **EAR CLEANING DEVICE SET**
(71) Applicant: **HEIFENG ZHIZAO (SHENZHEN) TECHNOLOGY CO., LTD**, Shenzhen (CN)
(72) Inventor: **Shihong Wang**, Shenzhen (CN)
(73) Assignee: **HEIFENG ZHIZAO (SHENZHEN) TECHNOLOGY CO., LTD**, Shenzhen (CN)

D379,659 S * 6/1997 Alston D24/198
D388,140 S * 12/1997 Nielsen D21/615
D489,133 S 4/2004 Shimizu
D847,993 S 5/2019 Olson
D872,386 S * 1/2020 Seadler D21/615
D883,584 S * 5/2020 Seadler D21/615

(Continued)

FOREIGN PATENT DOCUMENTS

CN 306864471 * 10/2021

OTHER PUBLICATIONS

Amazon, "Bebird D3 Pro Ear Wax Removal Oscope", first available Nov. 25, 2021. (<https://www.amazon.com/gp/product/B09MK1CC5W/>) (Year: 2021).*

(Continued)

Primary Examiner — Lauren D McVey
Assistant Examiner — Justin A Johnson

(**) Term: **15 Years**
(21) Appl. No.: **29/798,829**
(22) Filed: **Jul. 11, 2021**
(30) **Foreign Application Priority Data**
May 8, 2021 (CN) 202130273514.5
(51) **LOC (13) Cl.** **24-02**
(52) **U.S. Cl.**
USPC **D24/151**
(58) **Field of Classification Search**
USPC D24/107, 119, 127, 128, 133, 151, 173,
D24/195, 198; D21/619, 615
CPC A46B 5/00; A46B 5/0004; A46B 5/0016;
A46B 7/10; A46B 13/001; A46B 13/02;
A46B 13/023; A46B 13/08; A46B
2200/1006; A46B 2200/30; A61B
2018/00327; A61Q 90/00; A61F 11/006
See application file for complete search history.

(57) **CLAIM**

The ornamental design for an ear cleaning device set, as shown and described.

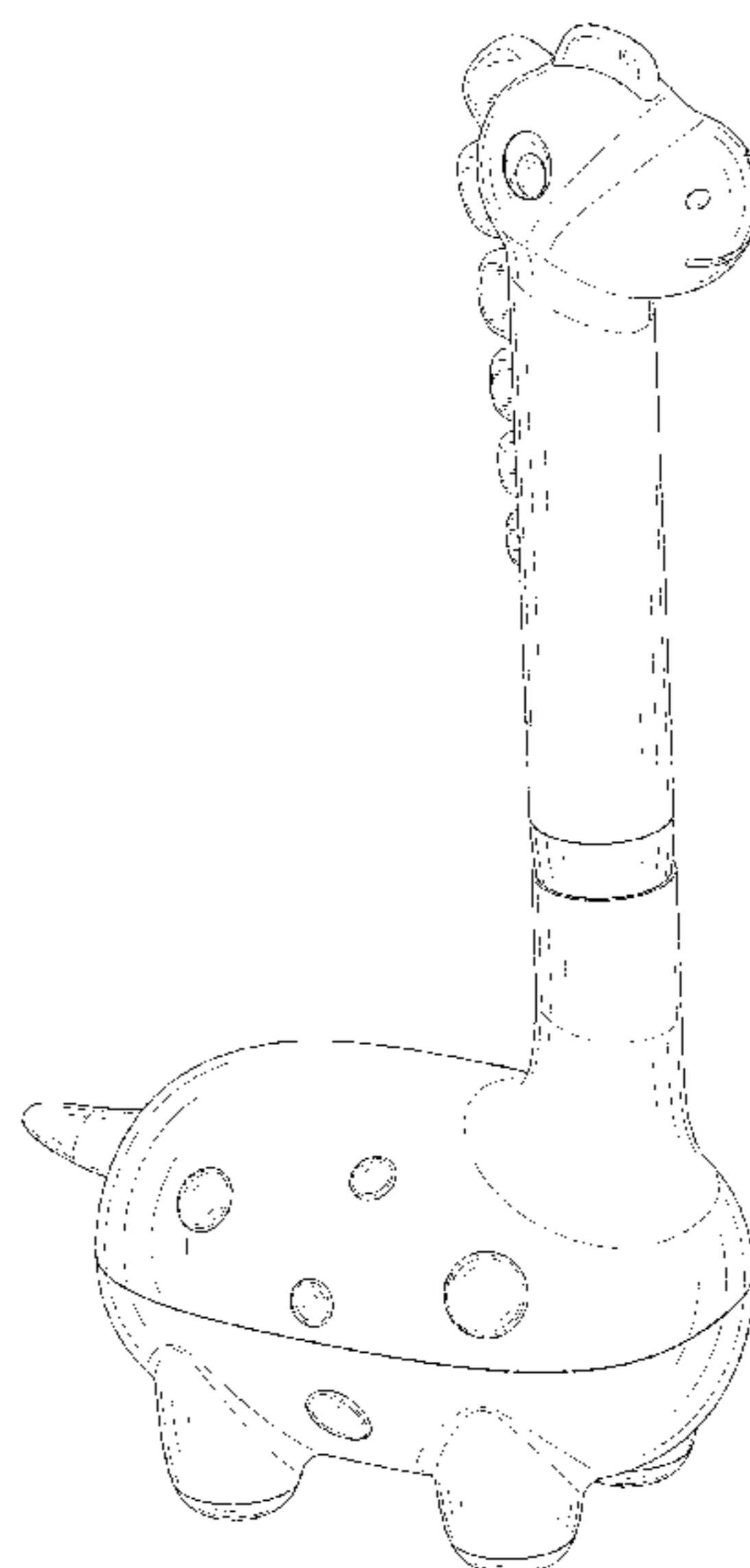
DESCRIPTION

FIG. 1 is a perspective view of an ear cleaning device set showing my new design;
FIG. 2 is another perspective view thereof;
FIG. 3 is a front elevational view thereof;
FIG. 4 is a rear elevational view thereof;
FIG. 5 is a left side elevational view thereof;
FIG. 6 is a right side elevational view thereof;
FIG. 7 is a top plan view thereof;
FIG. 8 is a bottom plan view thereof; and,
FIG. 9 is an exploded perspective view of the ear cleaning device set.

The broken lines in the drawings depict portions of the ear cleaning device set that form no part of the claimed design.

(56) **References Cited**
U.S. PATENT DOCUMENTS
D137,906 S * 5/1944 Rundle D21/615
D288,578 S * 3/1987 Edwards D21/615
4,804,192 A * 2/1989 Matsumoto A63B 63/06
D21/619
D353,663 S * 12/1994 Curren D21/615

1 Claim, 9 Drawing Sheets



(56)

References Cited

U.S. PATENT DOCUMENTS

D896,382 S * 9/2020 Fan A61F 11/006
D24/151
D905,801 S * 12/2020 Chen D21/615
D931,458 S * 9/2021 Wang D24/151
D932,622 S * 10/2021 Wang D24/151
2014/0243895 A1 * 8/2014 Kellogg A61J 17/02
606/235

OTHER PUBLICATIONS

Amazon, "Brusheez Kids Electric Toothbrush Set (Carnivore Edition)", first available Jul. 20, 2019. (<https://www.amazon.ca/Brusheez-Childrens-Electric-Toothbrush-Set/dp/B07N8DQF7X?th=1>) (Year: 2019).*

Yanko Design, "These Dinosaur-Inspired Electric Toothbrushes Make Brushing Teeth a Fun Activity for Kids!", first available Aug. 31, 2020. (<https://www.yankodesign.com/2020/08/31/these-dinosaur-inspired-electric-toothbrushes-make-brushing-teeth-a-fun-activity-for-kids/>) (Year: 2020).*

FCC ID, "D3 Smart visual ear-clean Rod", first available Sep. 29, 2021. (<https://fccid.io/2AU63-D3/External-Photos/External-photos-5473962.pdf>) (Year: 2021).*

* cited by examiner

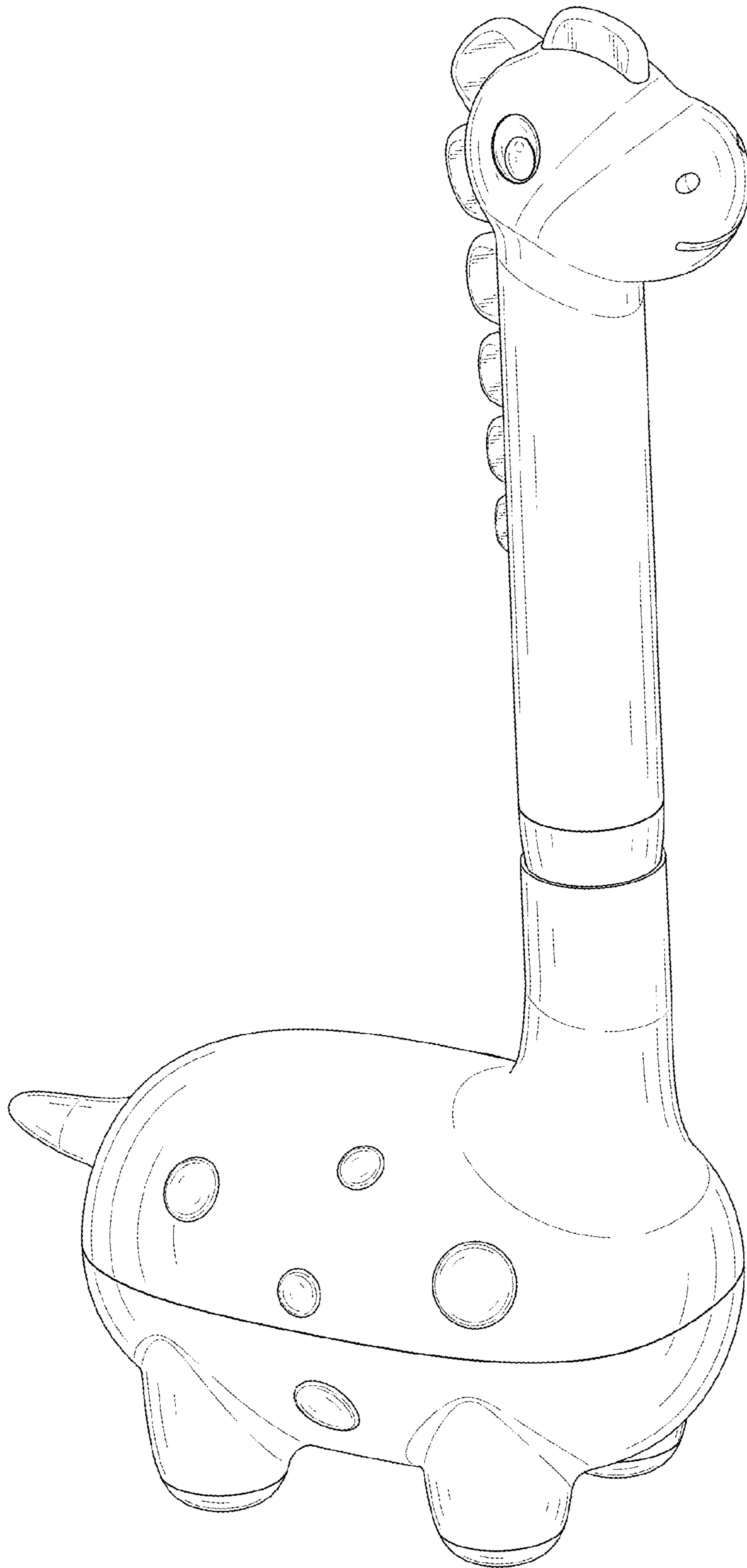


FIG. 1

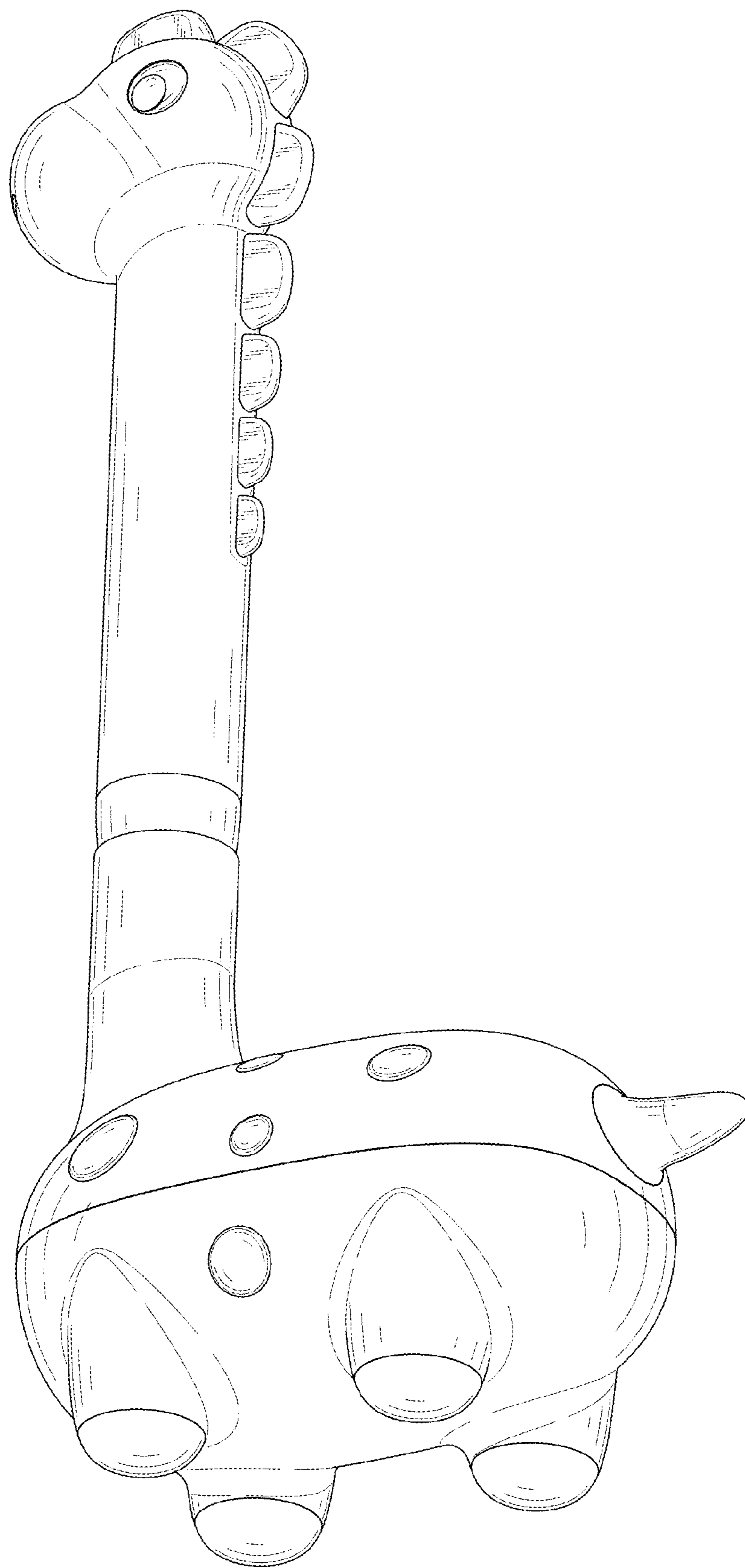


FIG. 2

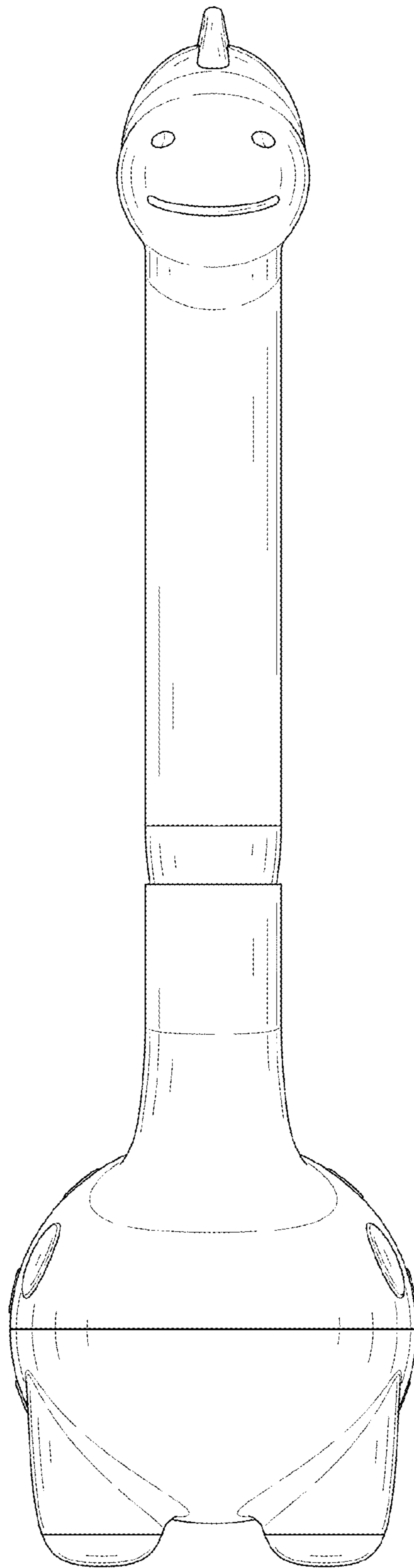


FIG. 3

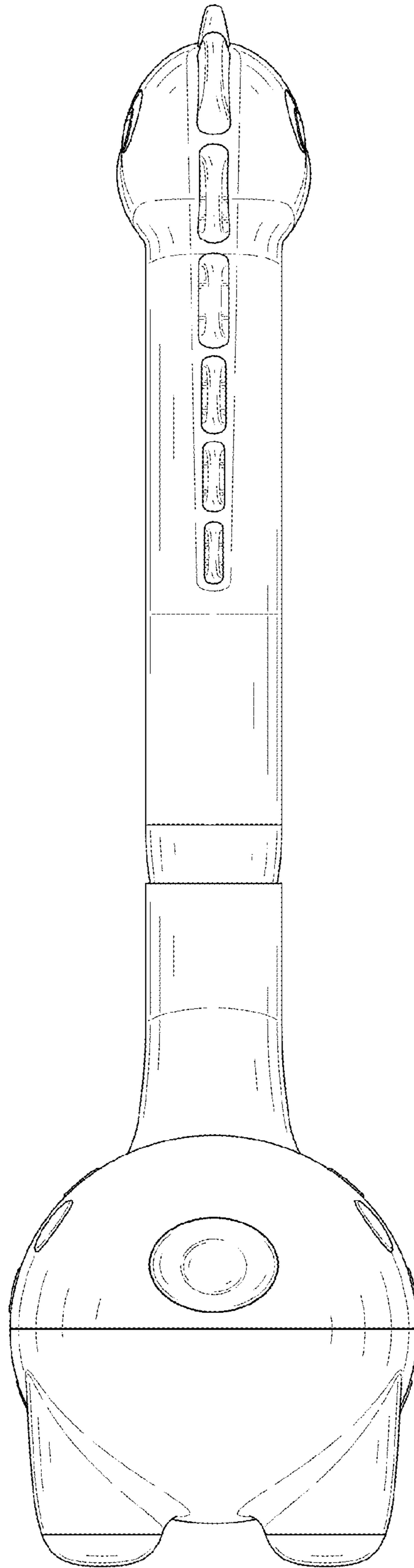


FIG. 4

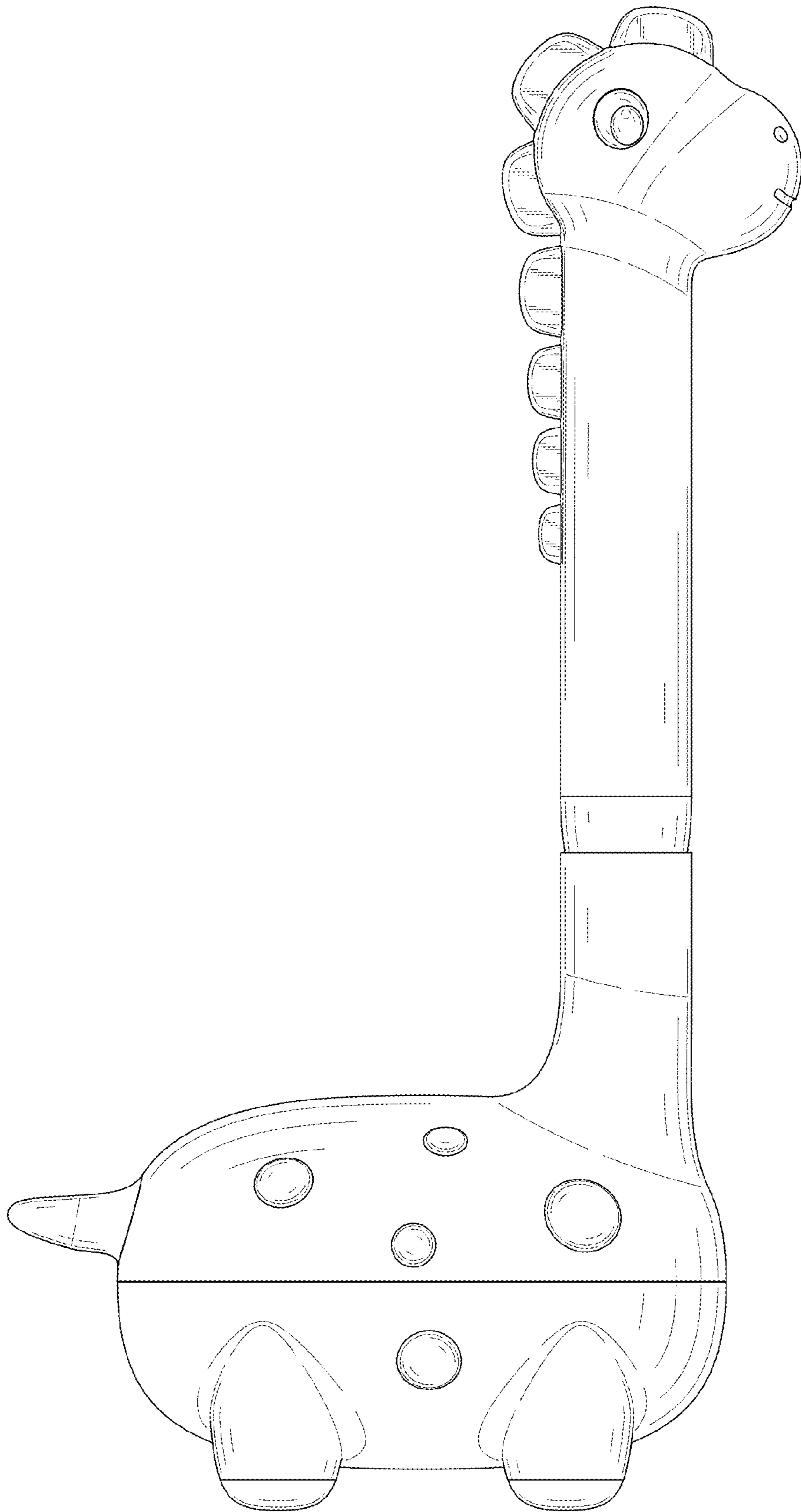


FIG. 5

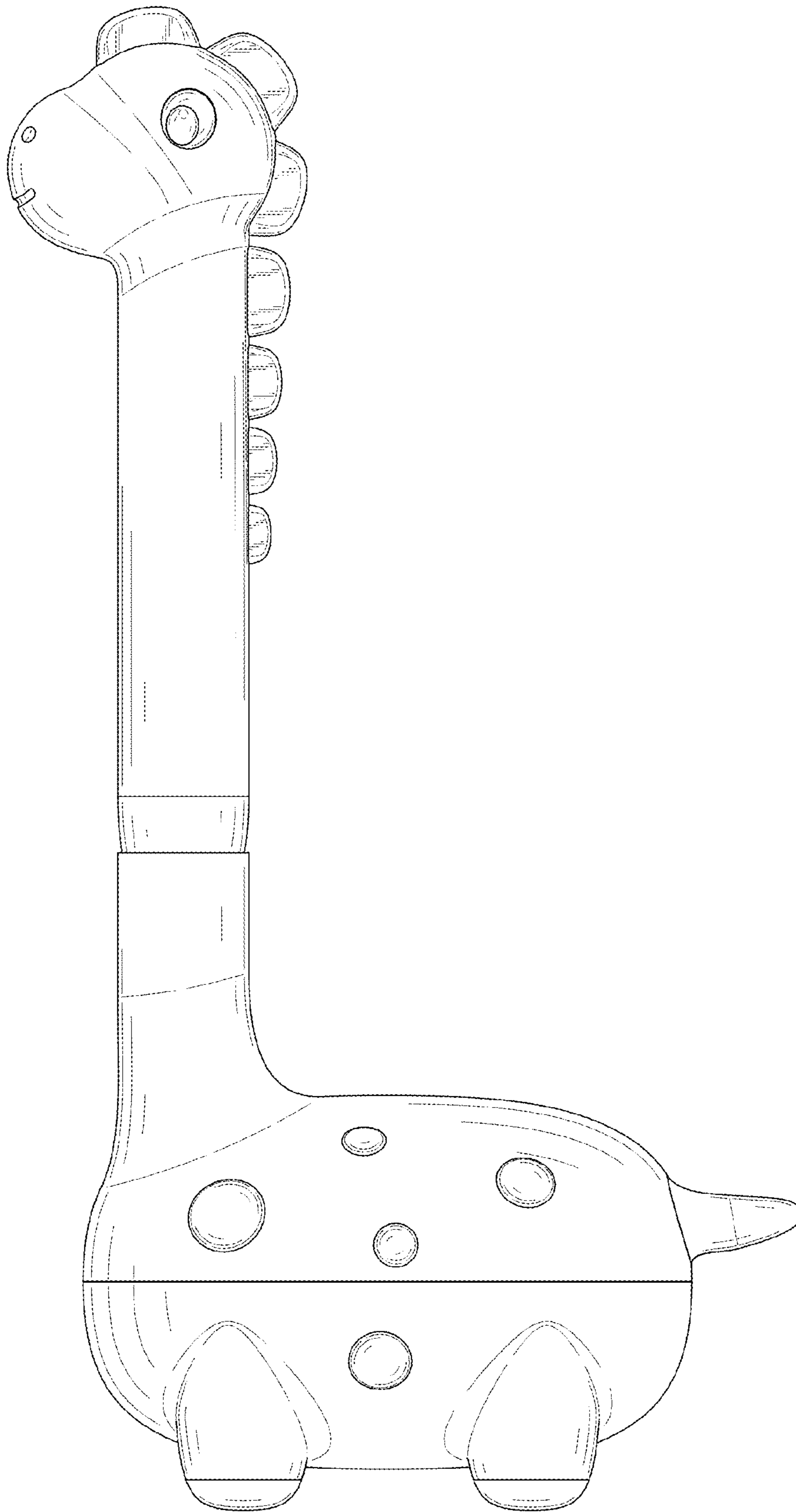


FIG. 6

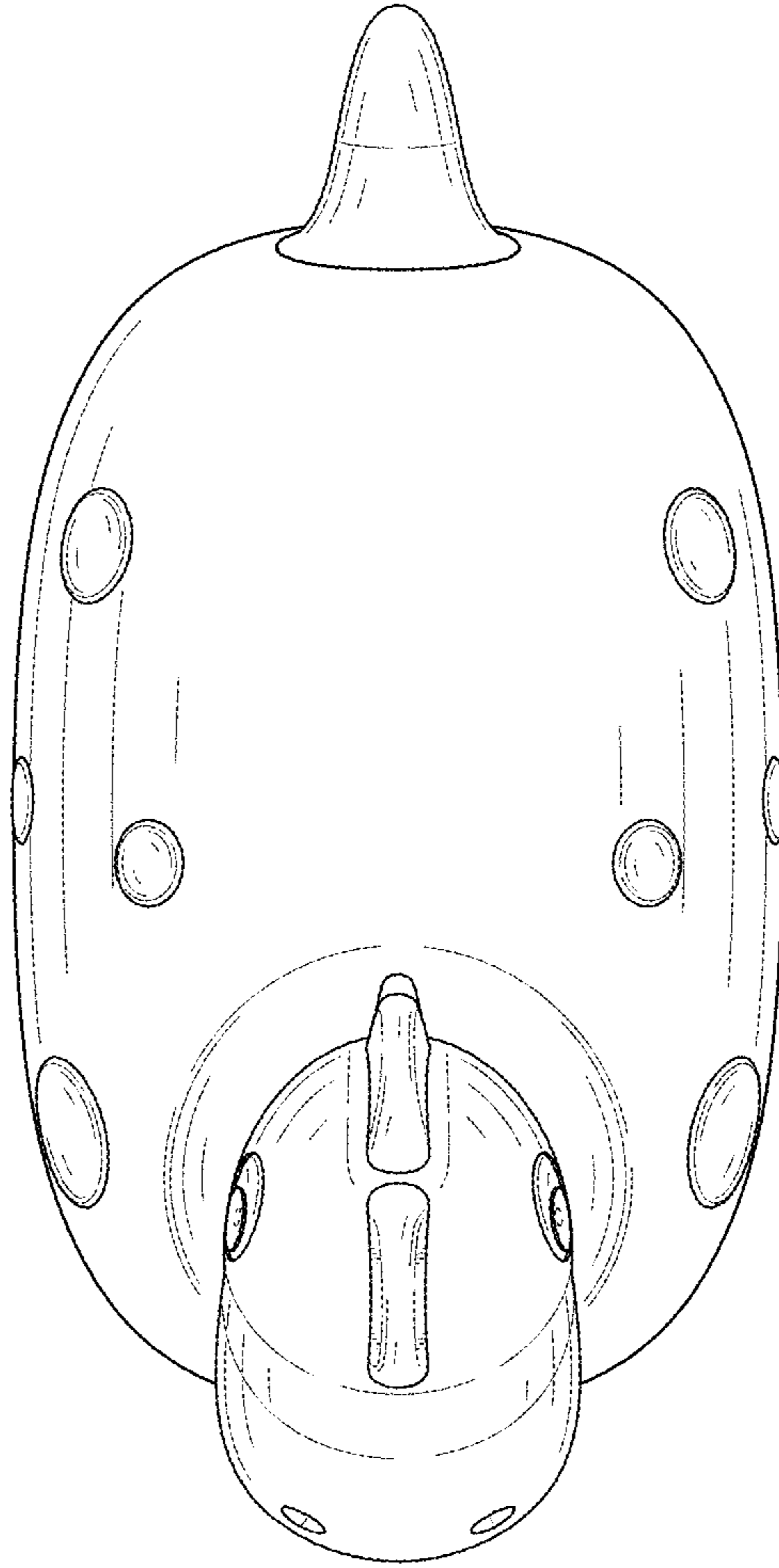


FIG. 7

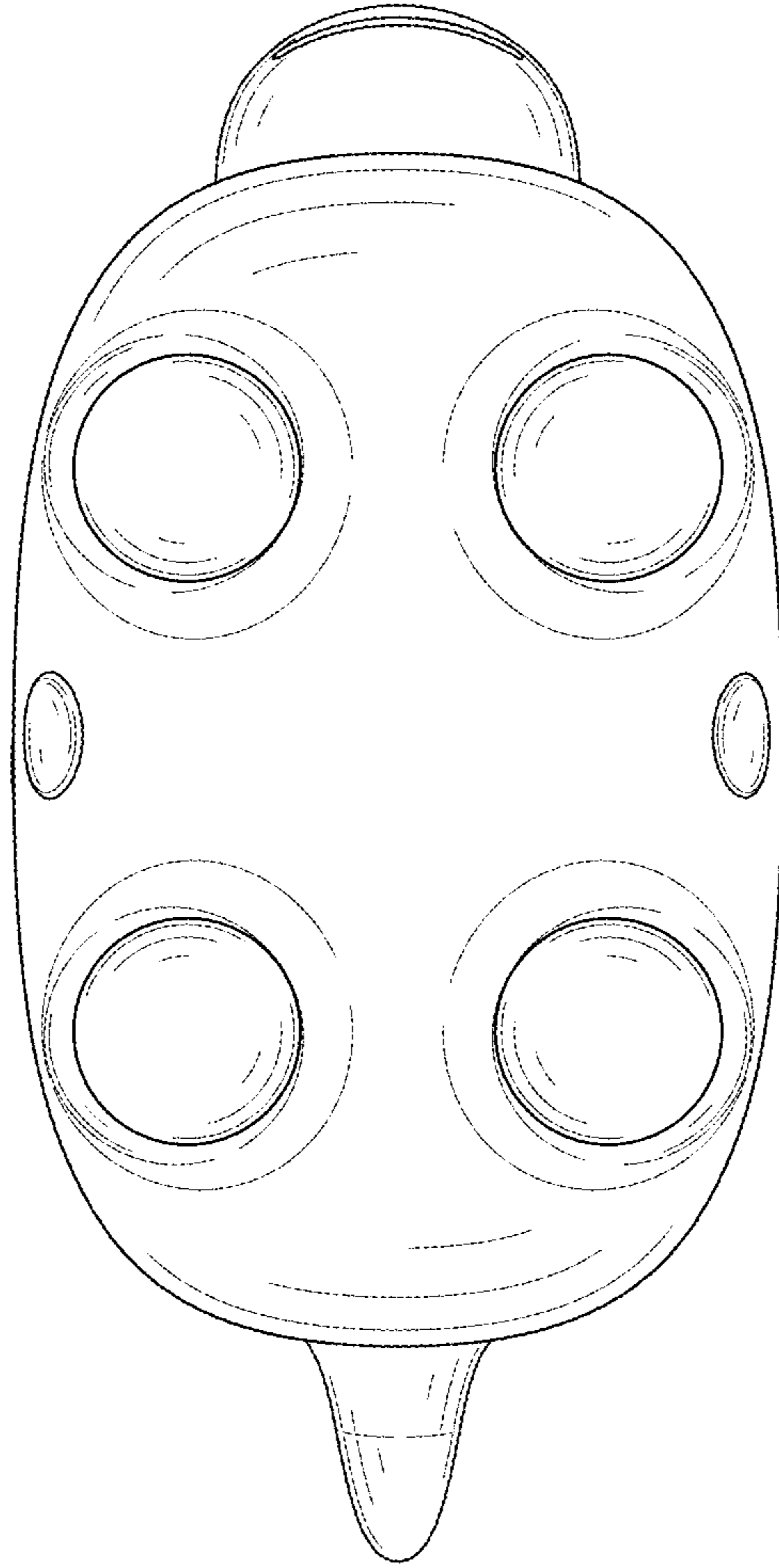


FIG. 8

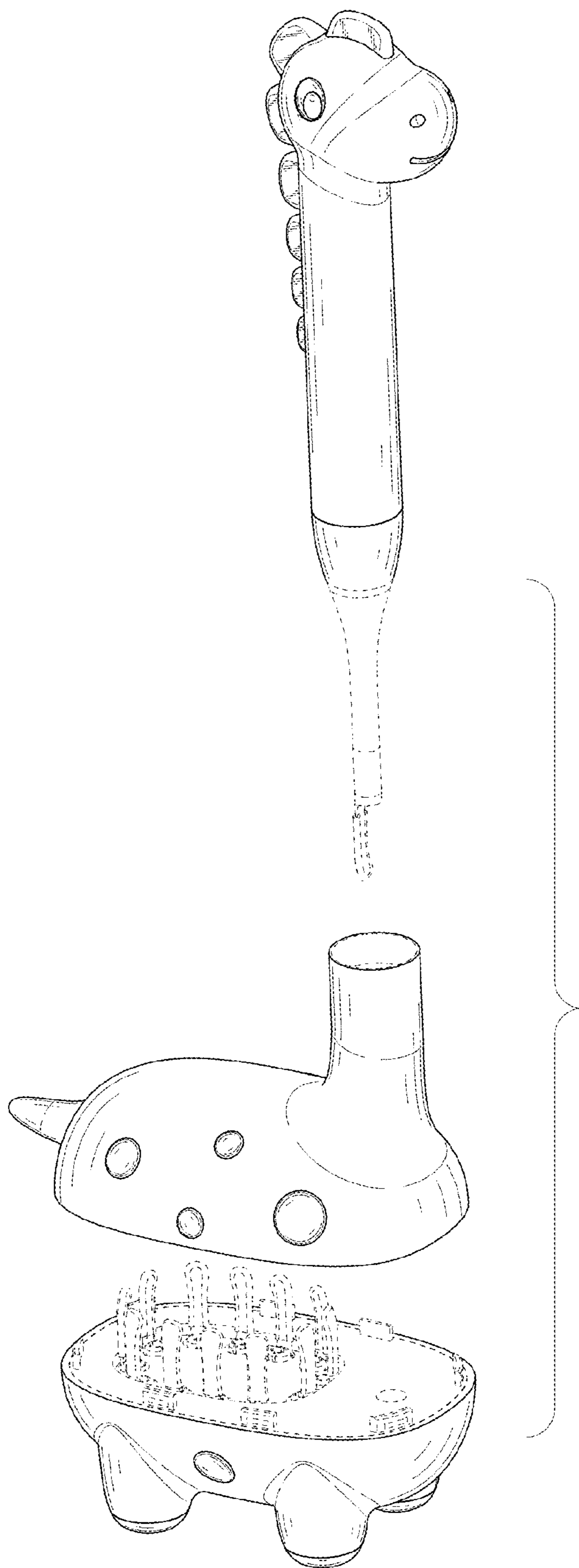


FIG. 9