



US00D961073S

(12) **United States Design Patent**  
**Jamison**

(10) **Patent No.:** **US D961,073 S**

(45) **Date of Patent:** **\*\* \*Aug. 16, 2022**

(54) **DENTAL DRILL DEPTH GAUGE**

D820,447 S *	6/2018	Brimer .....	D24/140
D847,336 S *	4/2019	Asfora .....	D24/140
D850,308 S *	6/2019	Yun .....	D10/78
D868,966 S *	12/2019	Jamison .....	D24/140

(71) Applicant: **GRS Guide System, Inc.**, Beverly Hills, CA (US)

\* cited by examiner

(72) Inventor: **Mark Bennett Jamison**, Los Angeles, CA (US)

*Primary Examiner* — Bridget L Eland

(73) Assignee: **GRS Guide System, Inc.**, Beverly Hills, CA (US)

(74) *Attorney, Agent, or Firm* — Proskauer Rose LLP

(\*) Notice: This patent is subject to a terminal disclaimer.

(57) **CLAIM**

The ornamental design for a dental drill depth gauge substantially, as shown and described.

(\*\*) Term: **15 Years**

**DESCRIPTION**

(21) Appl. No.: **29/715,449**

FIG. 1 is a perspective view of a dental drill depth gauge, showing my new design.

(22) Filed: **Dec. 2, 2019**

FIG. 2 is another perspective view of the dental drill depth gauge of FIG. 1;

**Related U.S. Application Data**

(63) Continuation of application No. 29/646,790, filed on May 7, 2018, now Pat. No. Des. 868,966.

FIG. 3 is a front view of the dental drill depth gauge of FIG. 1;

(51) **LOC (13) Cl.** ..... **24-02**

(52) **U.S. Cl.**  
USPC ..... **D24/140**

FIG. 4 is a rear view of the dental drill depth gauge of FIG. 1;

(58) **Field of Classification Search**

USPC ..... D24/140, 133, 135

CPC ..... A61C 1/082; A61C 1/084; A61C 1/085;

A61C 3/04; A61C 11/06

See application file for complete search history.

FIG. 5 is a left side view of the dental drill depth gauge of FIG. 1;

FIG. 6 is a right side view of the dental drill depth gauge of FIG. 1;

FIG. 7 is a top view of the dental drill depth gauge of FIG. 1; and,

FIG. 8 is a bottom view of the dental drill depth gauge of FIG. 1.

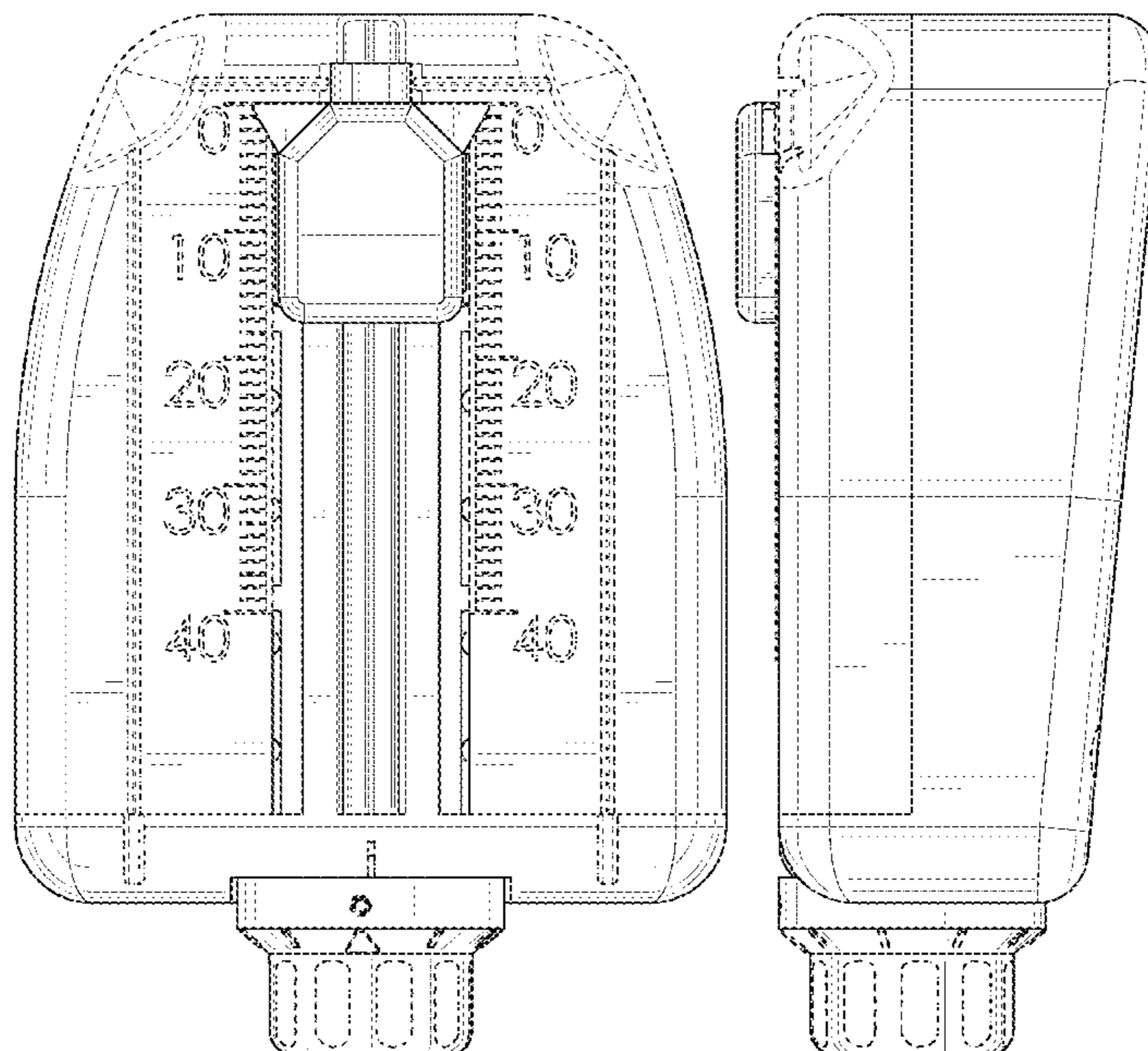
(56) **References Cited**

**U.S. PATENT DOCUMENTS**

D254,504 S *	3/1980	Myers .....	D24/133
D594,130 S *	6/2009	Scocimara .....	D24/133
D650,905 S *	12/2011	Plascott .....	D24/140
D724,730 S *	3/2015	Chaney .....	D24/140

The outermost broken lines immediately adjacent the shaded areas represent the bounds of the claimed design while all other broken lines are directed to environment and are for illustrative purposes only; the broken lines form no part of the claimed design.

**1 Claim, 6 Drawing Sheets**



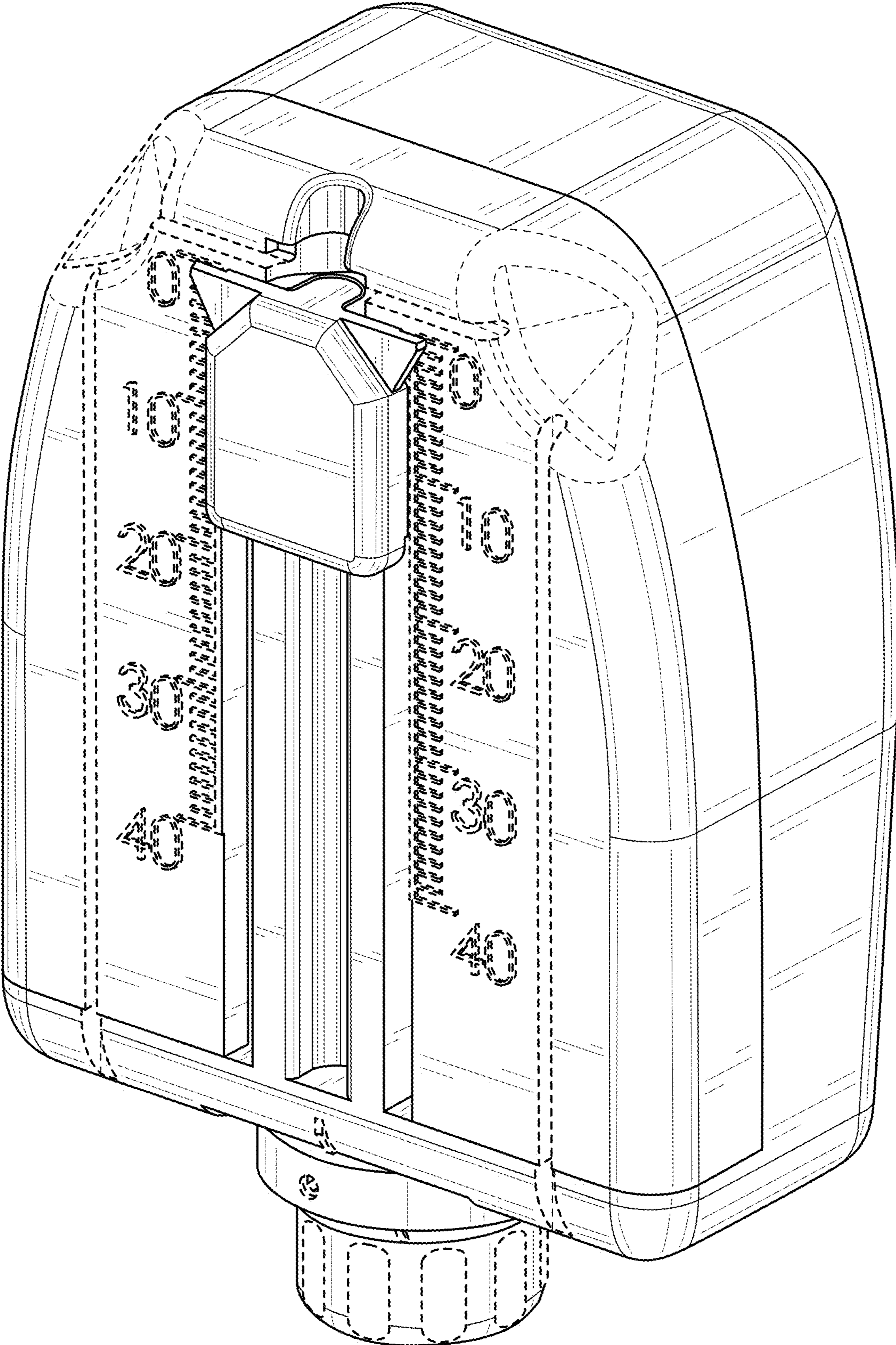


FIG. 1



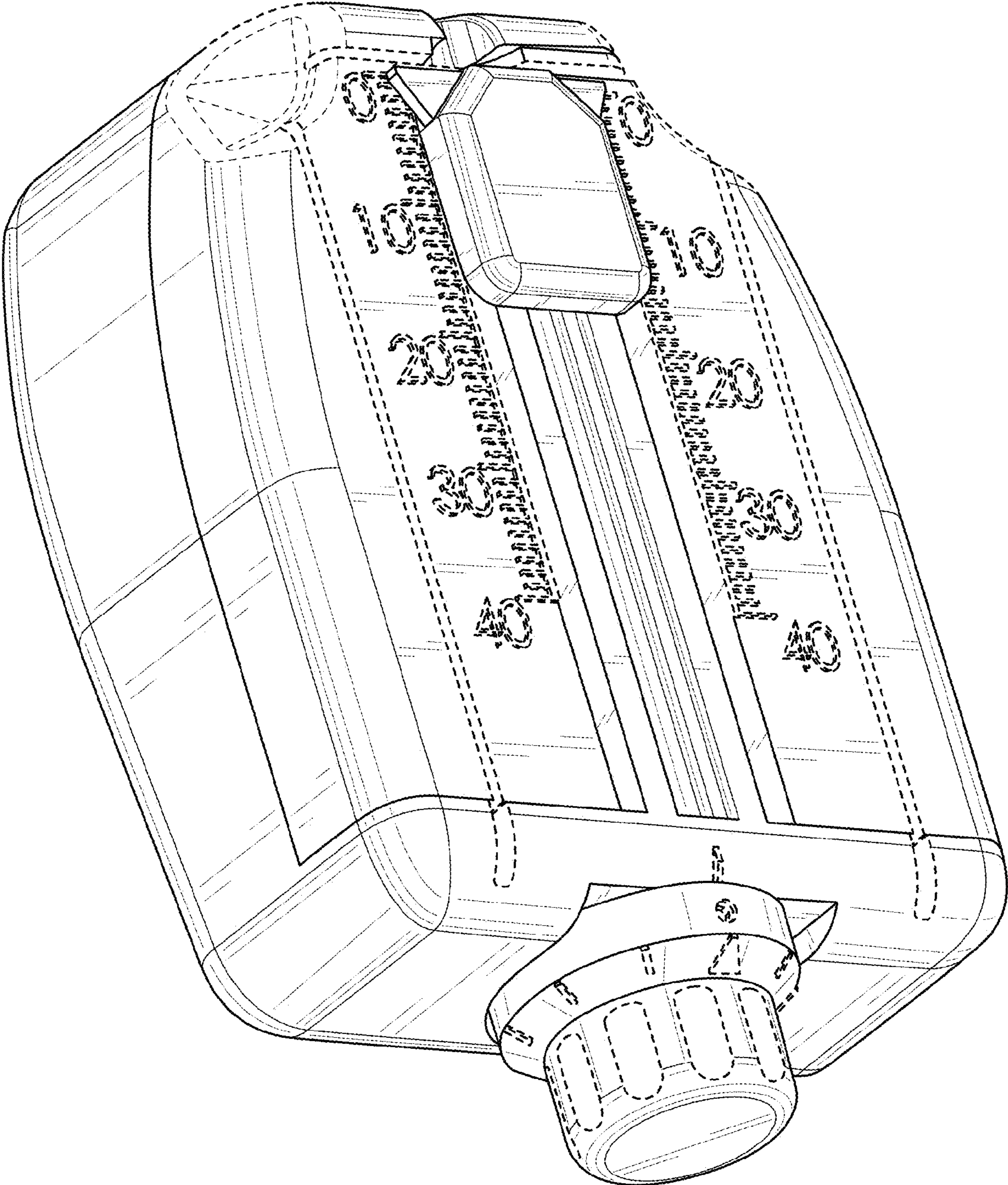


FIG. 2

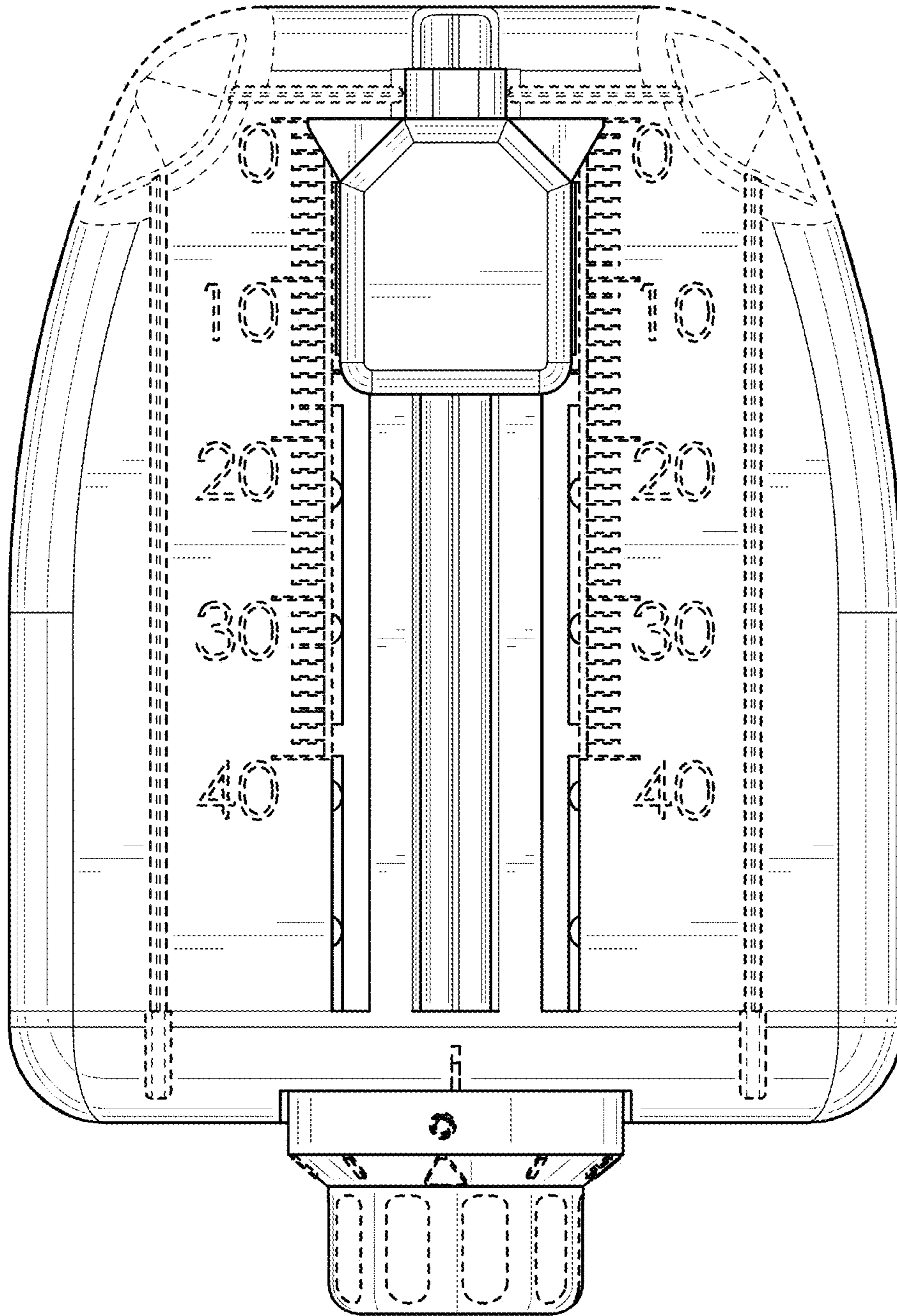


FIG. 3

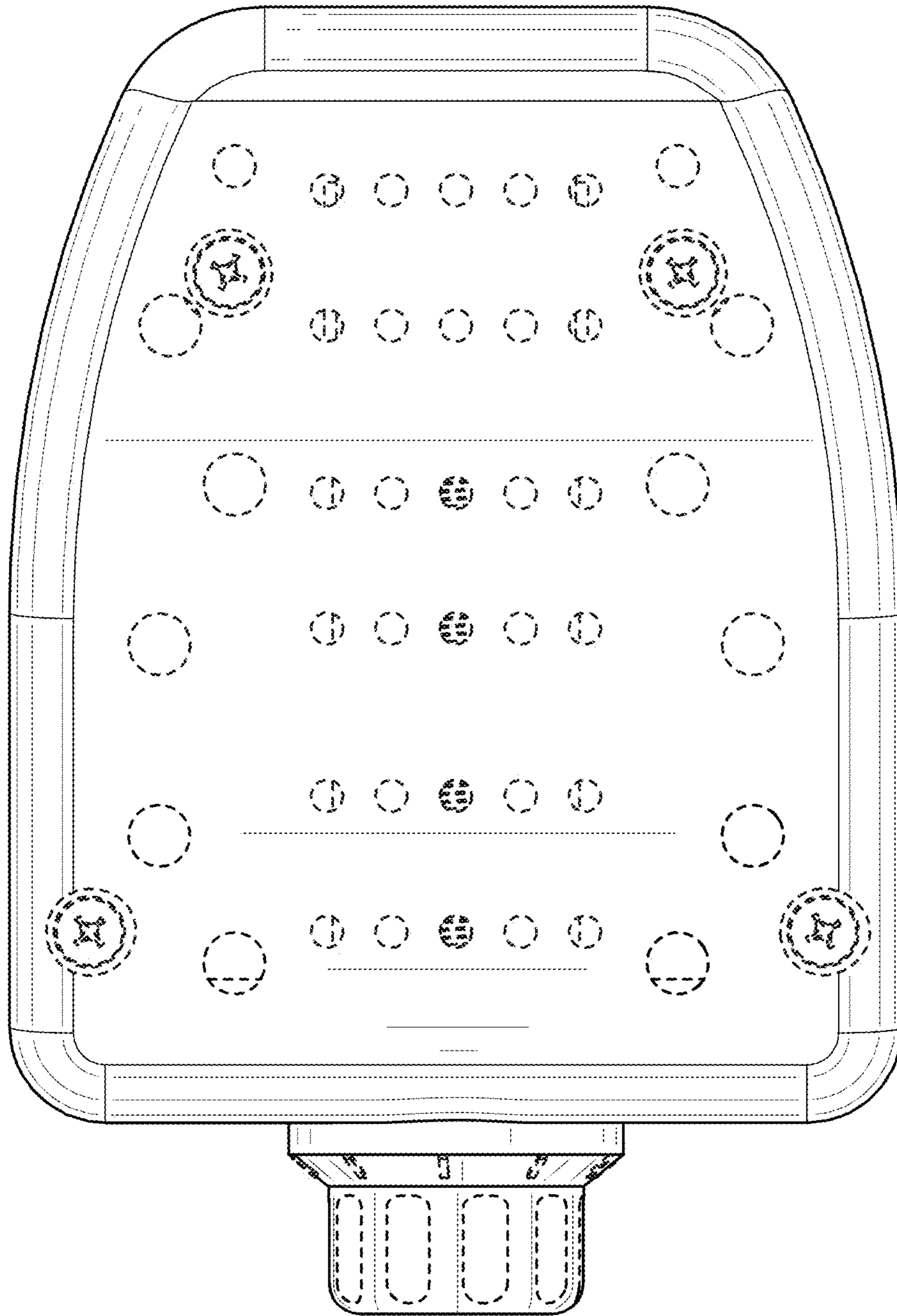


FIG. 4



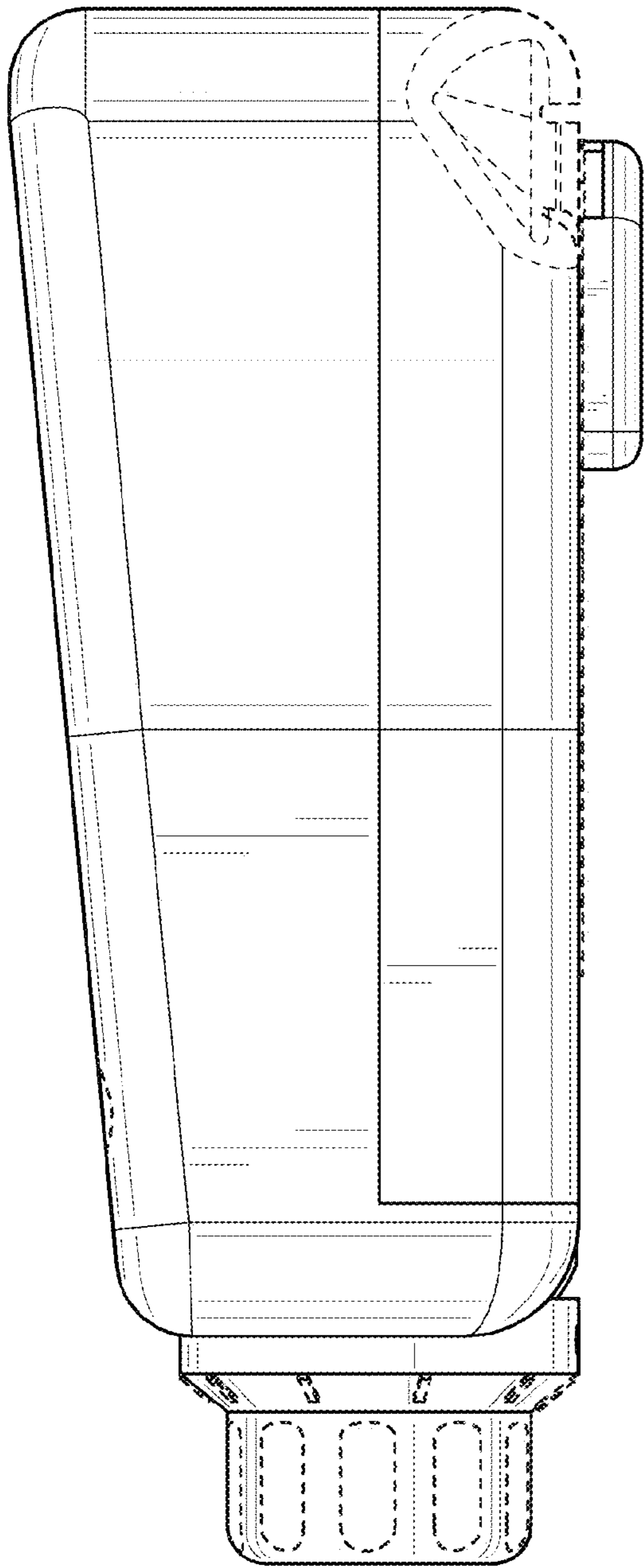


FIG. 5

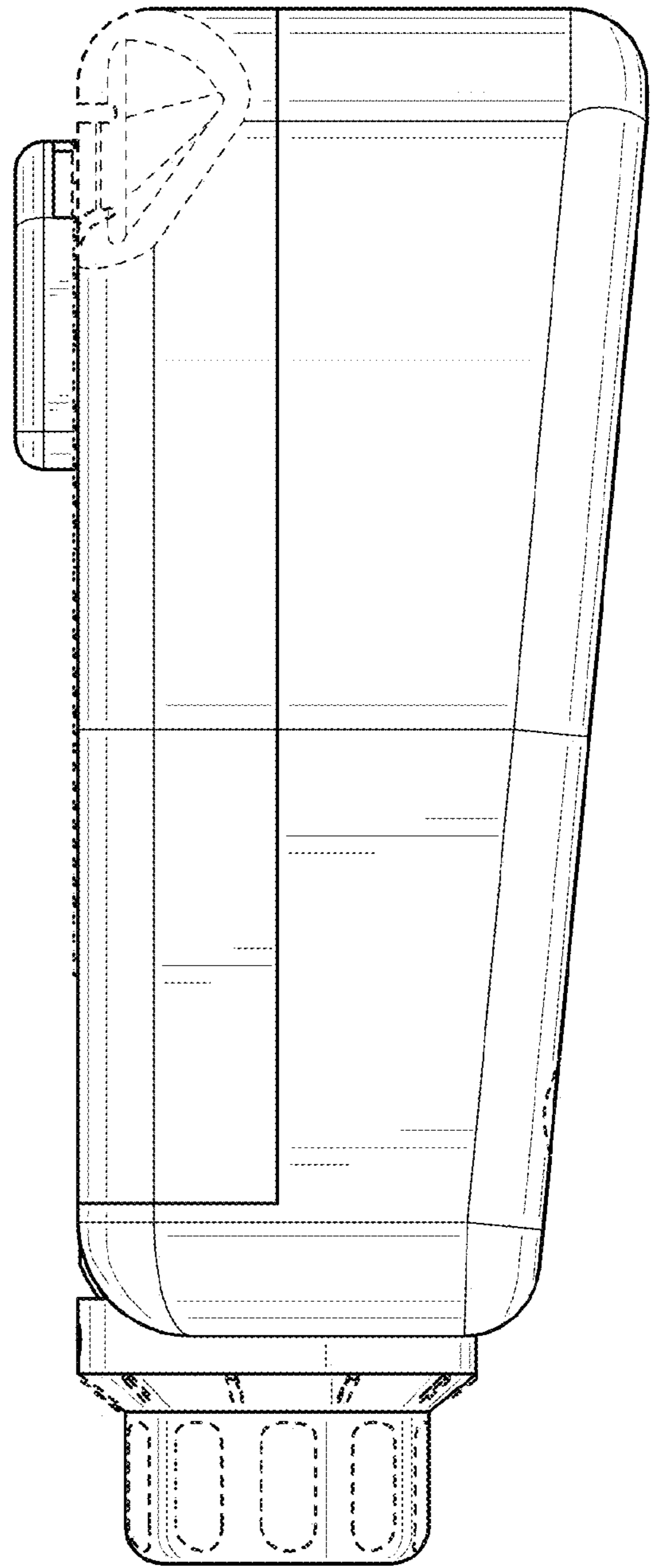


FIG. 6

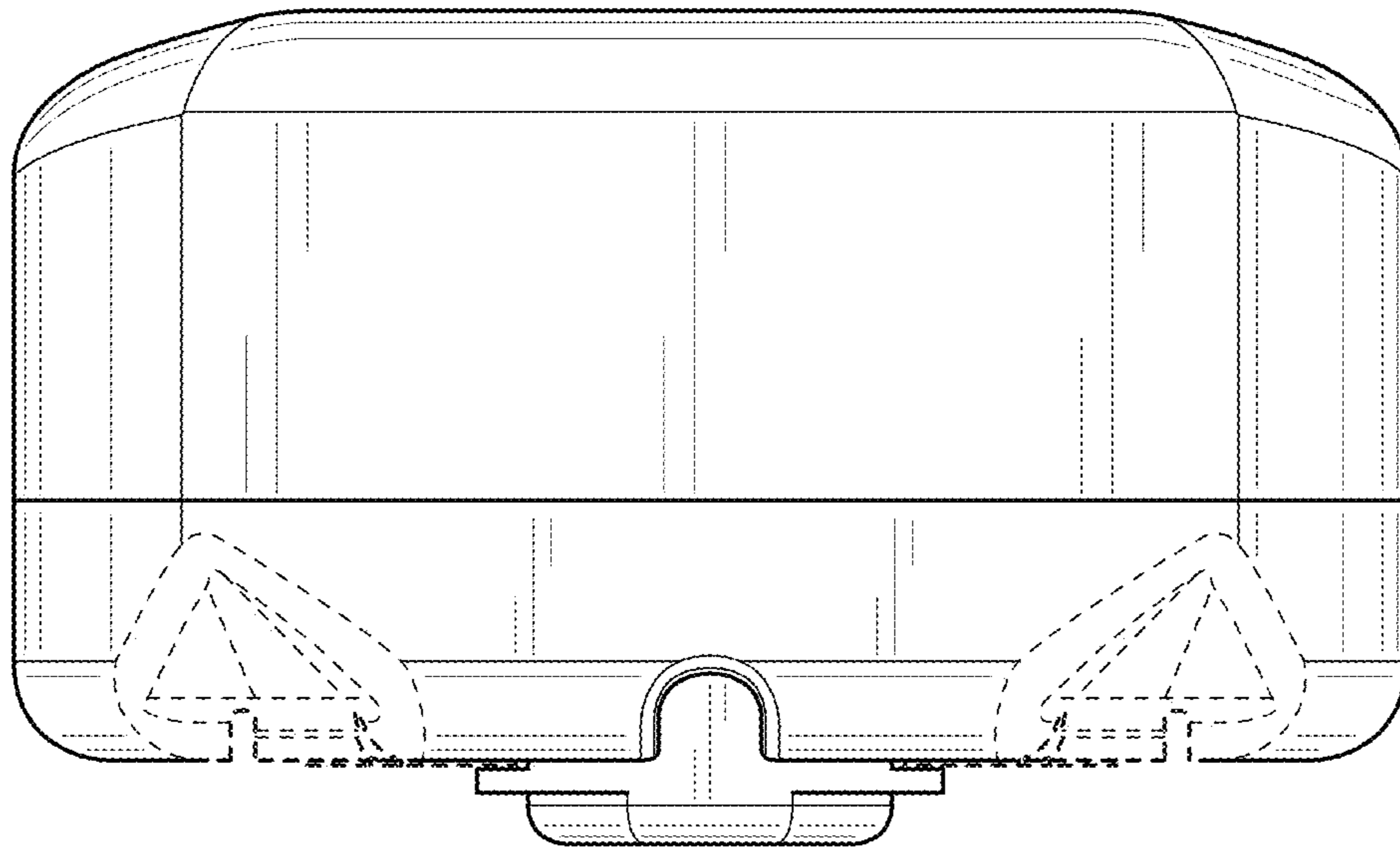


FIG. 7

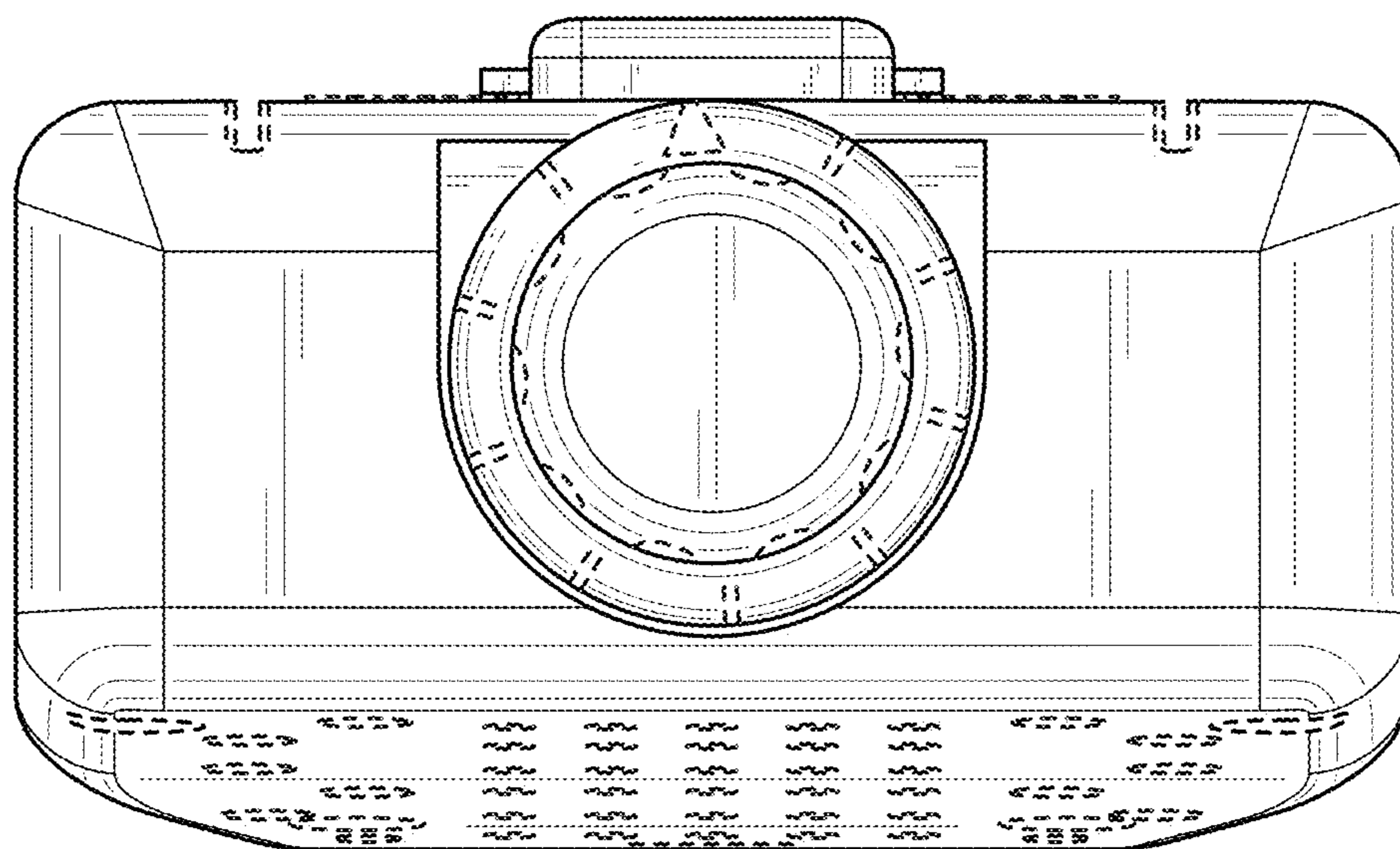


FIG. 8