



US00D961071S

(12) **United States Design Patent** (10) **Patent No.:** **US D961,071 S**  
**Bertrand et al.** (45) **Date of Patent:** **\*\* Aug. 16, 2022**

(54) **TOOL FOR ADJUSTING AN IMPLANTABLE ADJUSTABLE FLUID FLOW CONTROL VALVE**

*Primary Examiner* — David G Muller  
(74) *Attorney, Agent, or Firm* — Harness, Dickey & Pierce, P.L.C.

(71) Applicant: **Medtronic, Inc.**, Minneapolis, MN (US)

(57) **CLAIM**

The ornamental design for a tool for adjusting an implantable adjustable fluid flow control valve, as shown and described.

(72) Inventors: **William J. Bertrand**, Ventura, CA (US); **Leanne M. Lintula**, Santa Barbara, CA (US); **Leonard Porche**, Simi Valley, CA (US)

**DESCRIPTION**

(73) Assignee: **Medtronic, Inc.**, Minneapolis, MN (US)

FIG. 1 is a top front perspective view of an ornamental design for an assembly for locating, indicating, and adjusting a valve;

(\*\*) Term: **15 Years**

FIG. 2 is a top plan view of the design for of the assembly for locating, indicating, and adjusting a valve;

(21) Appl. No.: **29/827,382**

FIG. 3 is a bottom plan view of the design for the assembly for locating, indicating, and adjusting a valve;

(22) Filed: **Feb. 18, 2022**

FIG. 4 is a rear perspective view of the design for the assembly for locating, indicating, and adjusting a valve;

**Related U.S. Application Data**

FIG. 5 is a cross-sectional view of a design for an adjustment tool of an assembly for locating, indicating, and adjusting a valve taken along line 5-5 of FIG. 2;

(63) Continuation of application No. 29/794,601, filed on Jun. 14, 2021, now Pat. No. Des. 944,394, which is a (Continued)

FIG. 6 is a cross-sectional view of the design for an indicator tool at the assembly for locating, indicating, and adjusting a valve taken along line 6-6 of FIG. 2;

(51) **LOC (13) Cl.** ..... **24-02**

(52) **U.S. Cl.**  
USPC ..... **D24/129**

FIG. 7 is a cross-sectional view of the design for the locator tool of the assembly for locating, indicating, and adjusting a valve taken along line 7-7 of FIG. 2;

(58) **Field of Classification Search**  
USPC ..... D24/112–114, 108, 130, 127, 133, 186; 606/181, 185; 604/264, 523–528, 272, (Continued)

FIG. 8 is a partial assembled view of the design for the indicator tool of an assembly for locating, indicating, and adjusting a valve;

(56) **References Cited**

**U.S. PATENT DOCUMENTS**

4,156,422 A 5/1979 Hildebrandt et al.  
4,360,007 A 11/1982 Levy et al.  
(Continued)

FIG. 9 is a bottom perspective view of the design for the assembly for locating, indicating, and adjusting a valve;

**OTHER PUBLICATIONS**

U.S. Appl. No. 29/794,601, U.S. Pat. No. D. 944,394, filed Jun. 14, 2021, Bertrand et al.

FIG. 10 is a first side elevation view of the design for the assembly for locating, indicating, and adjusting a valve;

(Continued)

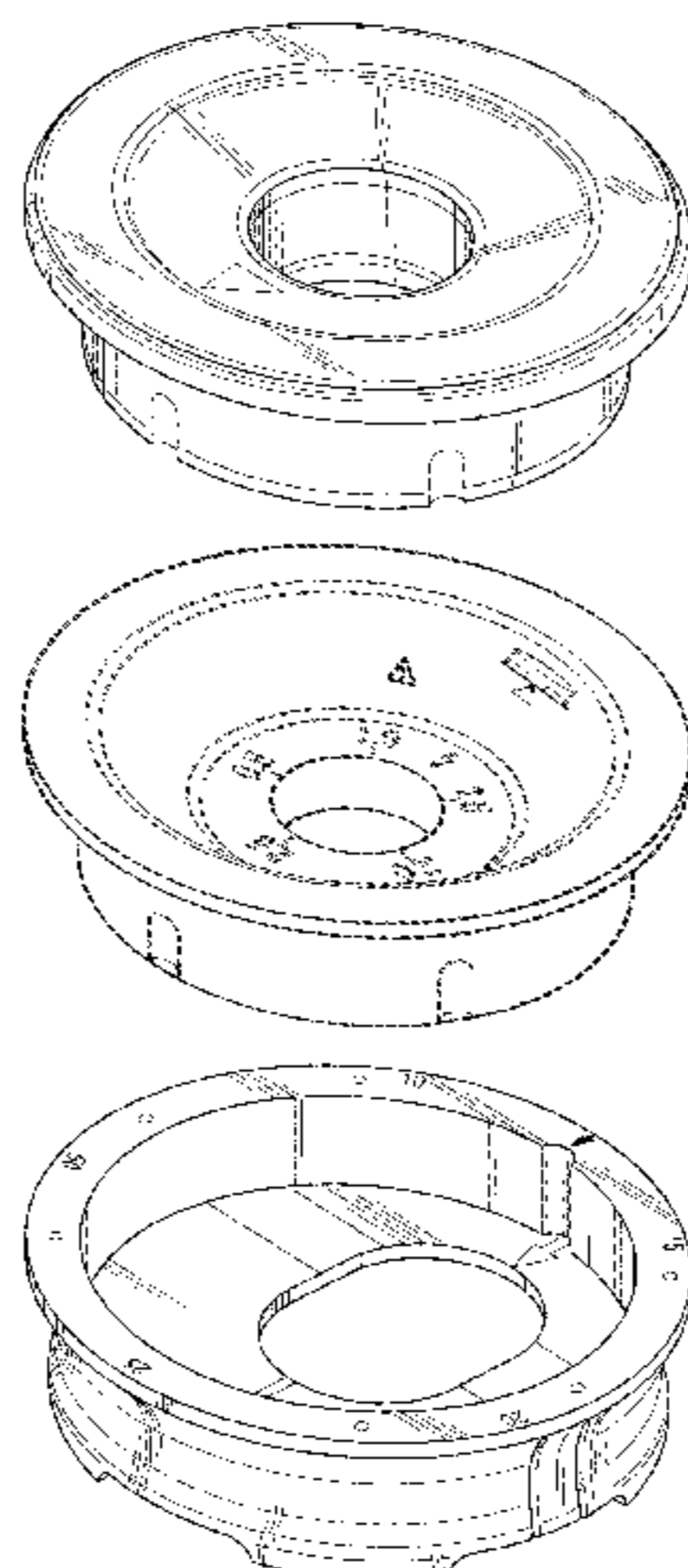
FIG. 11 is a second side elevation view of the design for the assembly for locating, indicating, and adjusting a valve;

FIG. 12 is a third side elevation view of the design for the assembly for locating, indicating, and adjusting a valve;

FIG. 13 is a fourth side elevation view of the design for the assembly for locating, indicating, and adjusting a valve; and,

FIG. 14 is a top rear perspective view of the design for the assembly for locating, indicating, and adjusting a valve.

(Continued)



The even broken lines are for the purpose of illustrating portions of the article and form no part of the claim design. The dot-dash broken lines define bounds of the claim design and form no part thereof.

**1 Claim, 9 Drawing Sheets**

**Related U.S. Application Data**

continuation of application No. 29/683,136, filed on Mar. 11, 2019, now Pat. No. Des. 922,572, which is a continuation of application No. 15/180,662, filed on Jun. 13, 2016, now abandoned, which is a continuation of application No. 14/148,151, filed on Jan. 6, 2014, now Pat. No. 9,364,646, which is a continuation of application No. 09/745,108, filed on Dec. 20, 2000, now Pat. No. 8,622,978, which is a continuation of application No. 09/270,540, filed on Mar. 17, 1999, now abandoned.

(58) **Field of Classification Search**

USPC .... 604/164.01–164.11, 187, 93.01; 600/101, 600/139, 143; 128/200.24, 207.14, 128/207.15  
 CPC .... A61M 27/006; A61M 25/065; A61M 5/42; A61M 25/0612; A61M 25/00; A61M 39/00; A61M 27/00; A61M 25/0043; A61M 25/0067; A61M 25/0097; A61M 2/958

See application file for complete search history.

(56) **References Cited**

U.S. PATENT DOCUMENTS

4,438,568	A	3/1984	Kramer et al.
4,540,400	A	9/1985	Hooven
4,595,390	A	6/1986	Hakim et al.
4,608,992	A	9/1986	Hakim et al.
4,615,691	A	10/1986	Hakim et al.
4,676,772	A	6/1987	Hooven
5,281,199	A	1/1994	Ensminger et al.
5,342,311	A	8/1994	Dirina

5,527,277	A	6/1996	Ensminger et al.	
5,620,419	A	4/1997	Lui et al.	
5,637,083	A	6/1997	Bertrand et al.	
5,643,194	A	7/1997	Negre	
5,738,666	A	4/1998	Watson et al.	
5,928,182	A	7/1999	Kraus et al.	
6,050,969	A	4/2000	Kraus	
7,044,932	B2	5/2006	Borchard et al.	
7,921,571	B2	4/2011	Moureaux et al.	
8,038,641	B2	10/2011	Soares et al.	
8,322,365	B2	12/2012	Wilson et al.	
8,622,978	B2	1/2014	Bertrand et al.	
8,630,695	B2	1/2014	Negre et al.	
8,733,394	B2	5/2014	Negre et al.	
9,126,010	B2	9/2015	Shah et al.	
9,216,275	B2	12/2015	Soares et al.	
9,364,646	B2	6/2016	Bertrand et al.	
D922,572	S *	6/2021	Bertrand	A61B 90/06 D24/129
D928,313	S	8/2021	Bertrand et al.	
2002/0022793	A1	2/2002	Bertrand et al.	
2009/0112308	A1 *	4/2009	Kassem	A61B 5/031 340/505
2010/0298645	A1 *	11/2010	Deutch	A61B 17/0218 600/201
2012/0232462	A1 *	9/2012	Miethke	A61M 5/14276 604/9
2016/0361523	A1 *	12/2016	Haughton	A61M 27/006
2017/0325685	A1 *	11/2017	Shachar	A61B 5/1459
2018/0243542	A1 *	8/2018	Pfleiderer	F16K 37/0083
2018/0311485	A1 *	11/2018	Sheehy	A61M 27/006
2019/0083763	A1 *	3/2019	Boden, Jr.	G01R 33/0076
2019/0350622	A1 *	11/2019	Abou El Kheir	A61B 18/14
2019/0388660	A1 *	12/2019	Negre	A61M 27/006
2020/0038126	A1 *	2/2020	Cau	A61B 34/37
2020/0375745	A1 *	12/2020	Sampath	A61B 8/12

OTHER PUBLICATIONS

U.S. Appl. No. 29/683,136, U.S. Pat. No. D. 922,572, filed Mar. 11, 2019, Bertrand et al.  
 U.S. Appl. No. 15/180,662, filed Jun. 13, 2016, Bertrand et al.  
 U.S. Appl. No. 14/148,646, U.S. Pat. No. 9,364,646, filed Jan. 6, 2014, Bertrand et al.  
 U.S. Appl. No. 09/745,108, U.S. Pat. No. 8,622,978, filed Dec. 20, 2000, Bertrand et al.

\* cited by examiner



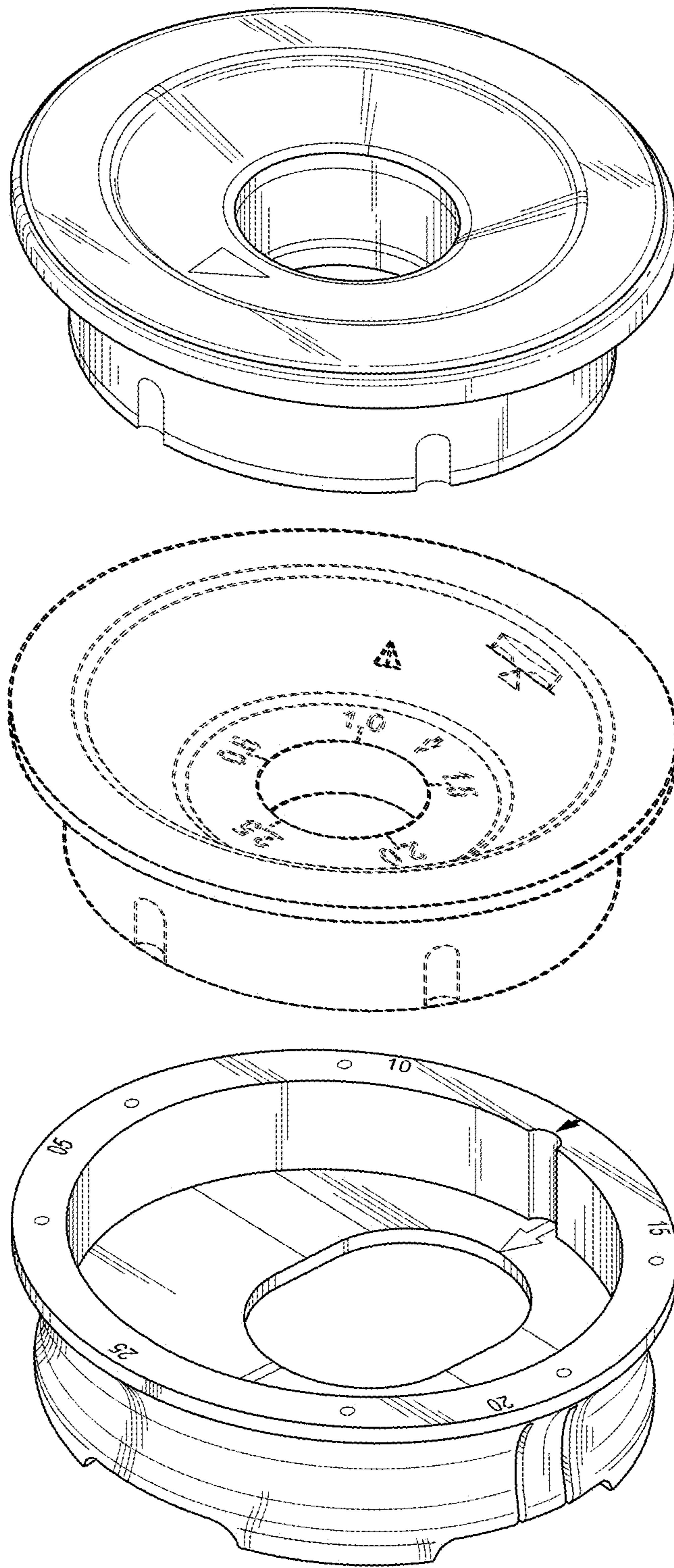


FIG. 1

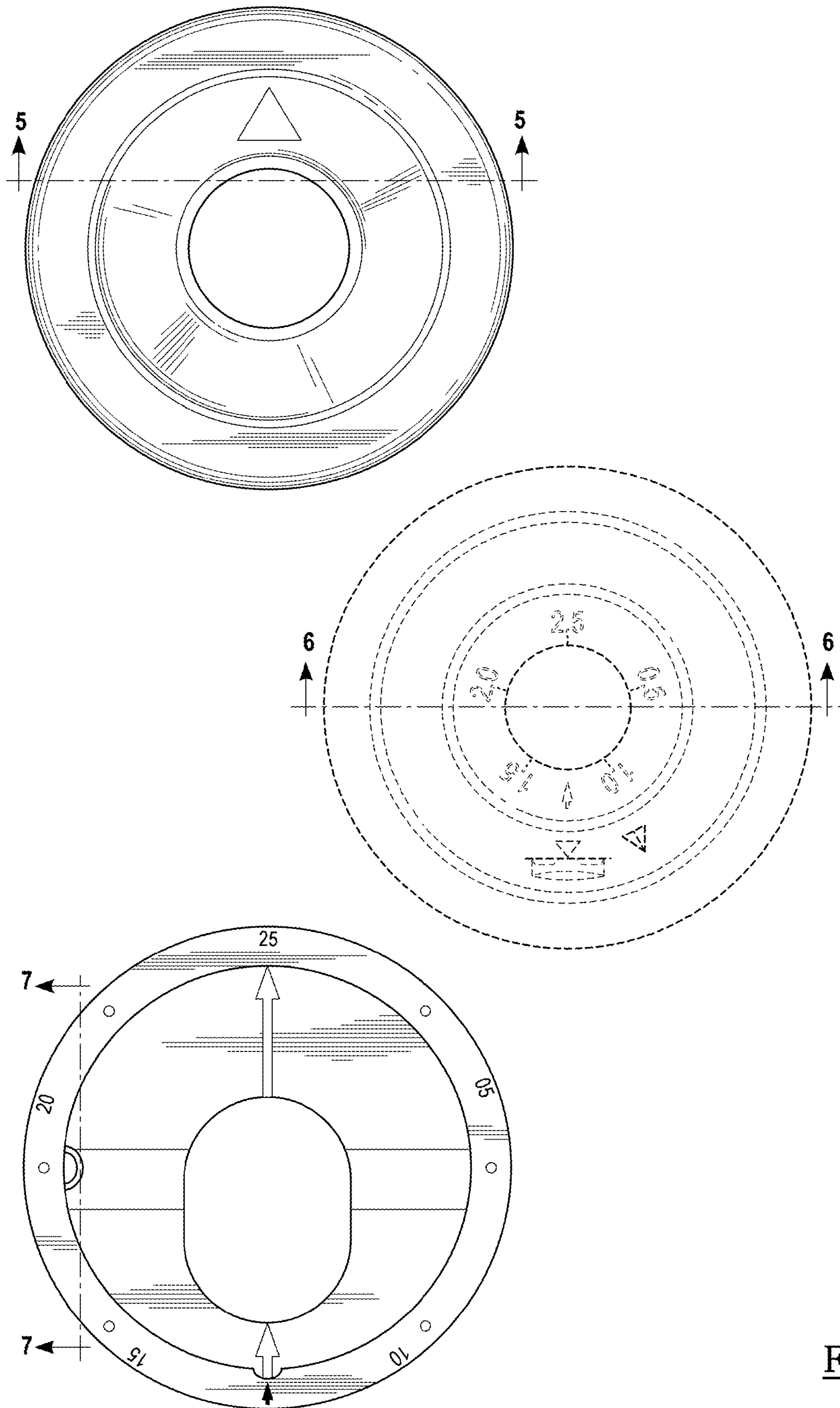


FIG. 2

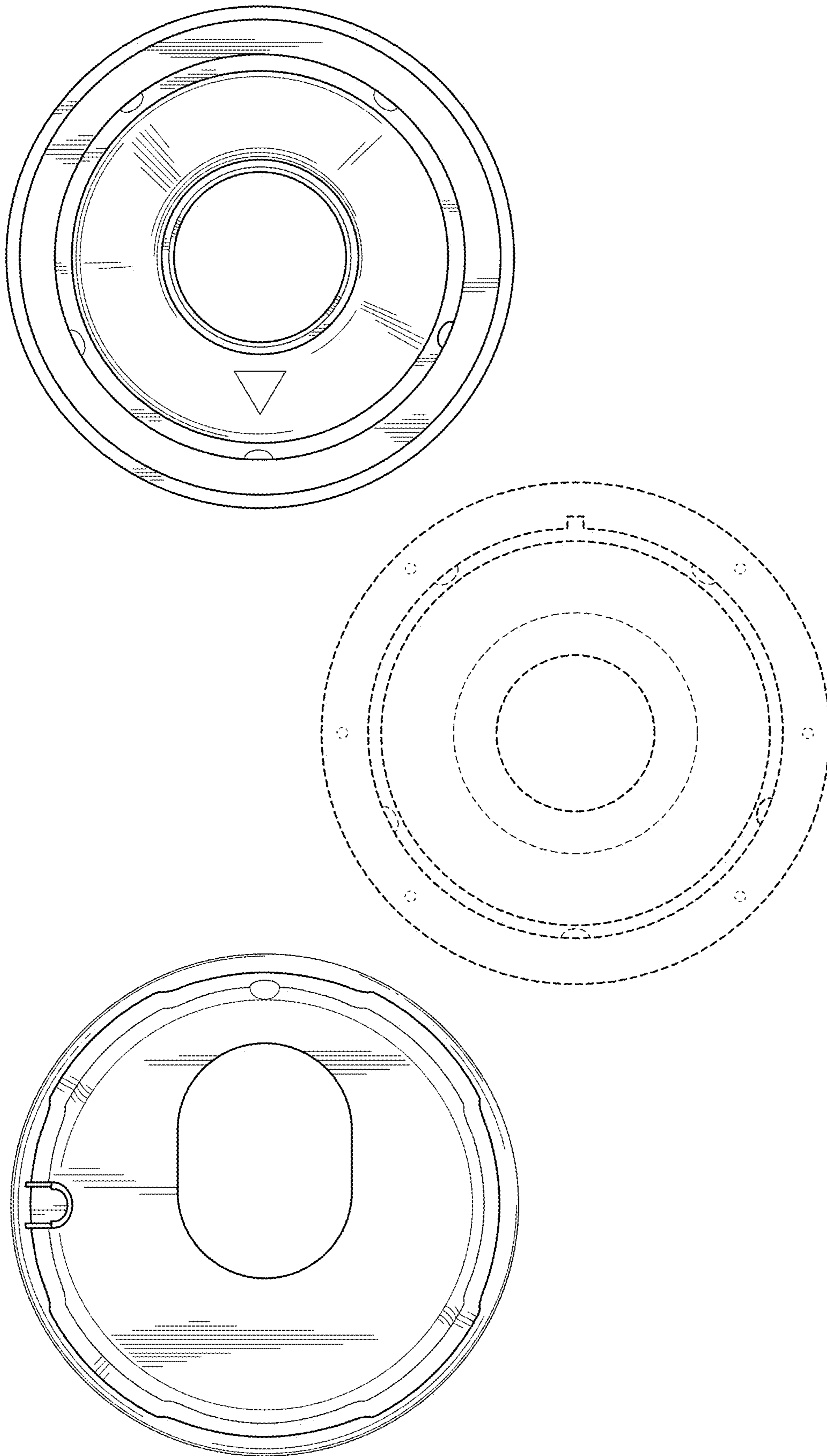


FIG. 3



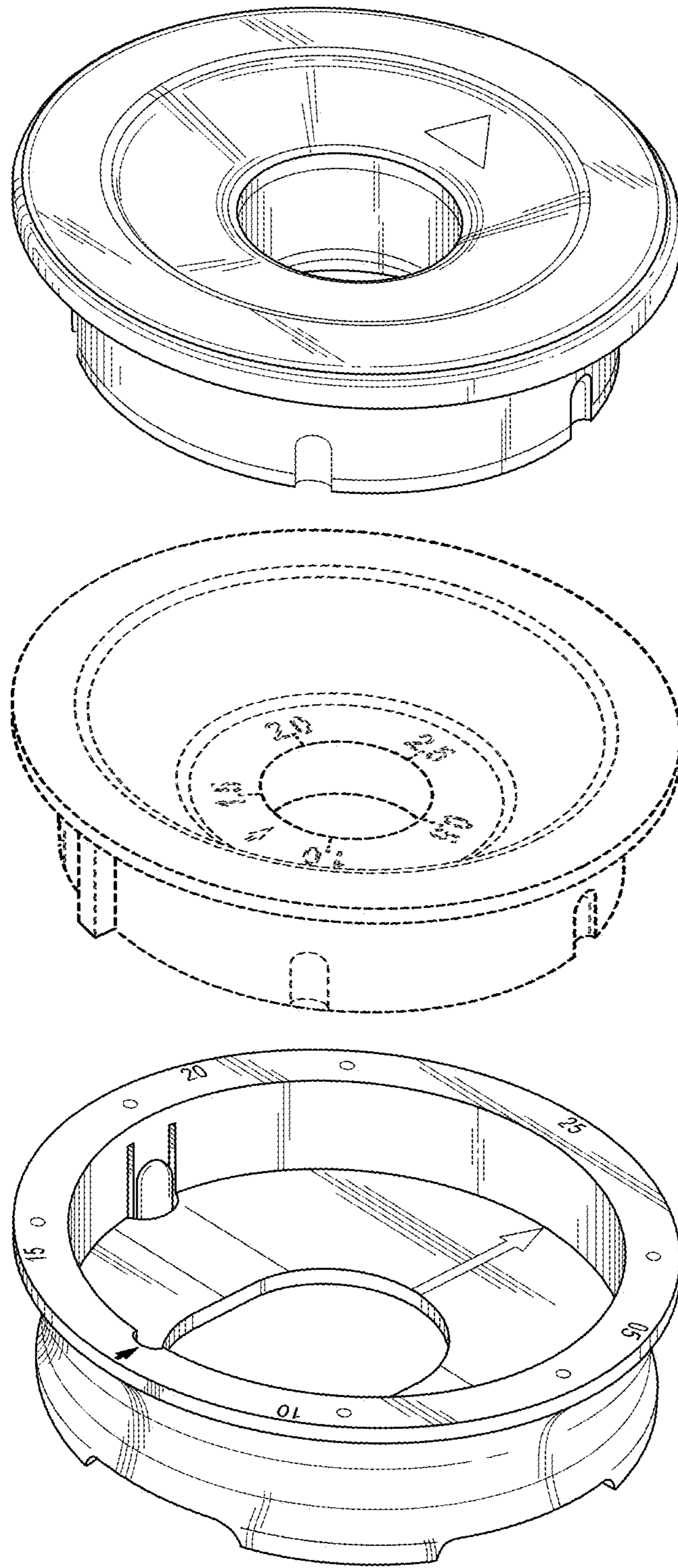


FIG. 4

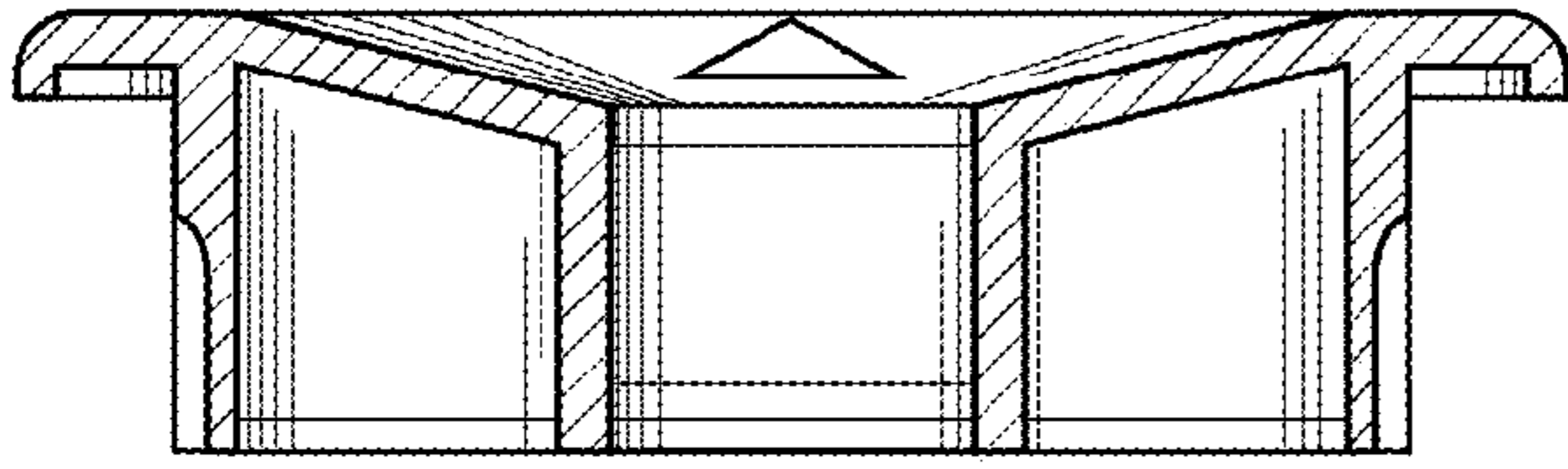


FIG. 5

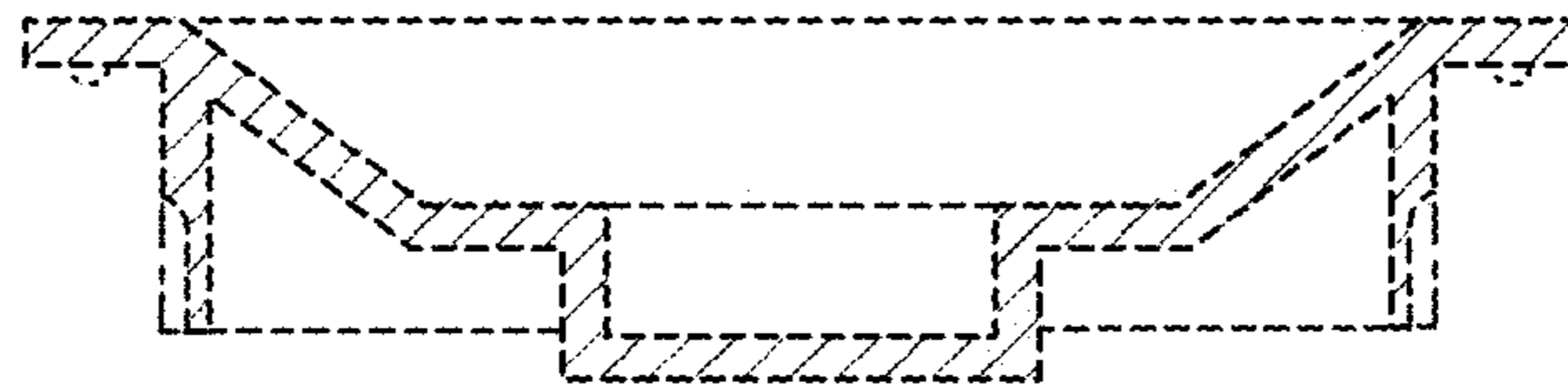


FIG. 6

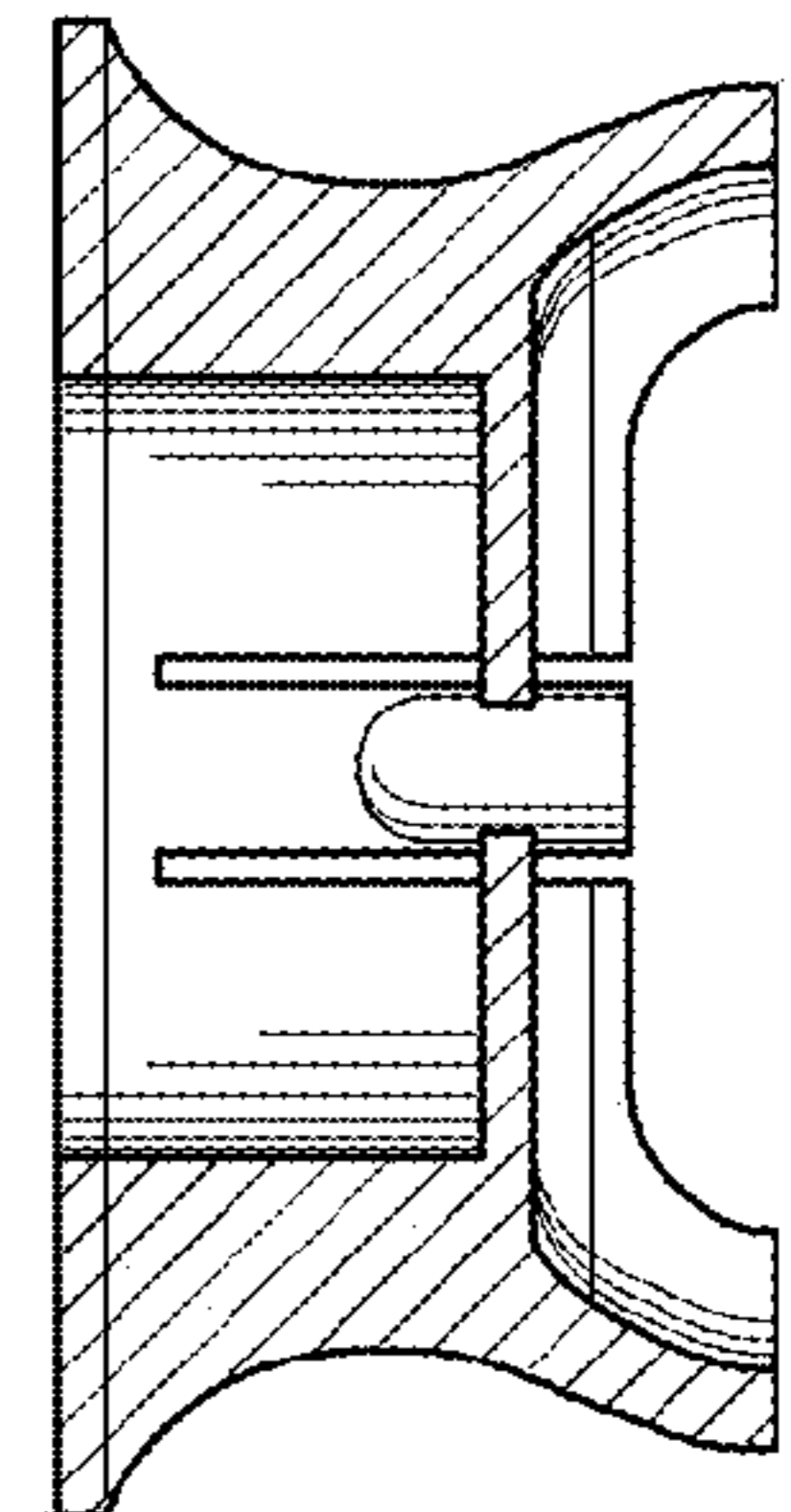


FIG. 7

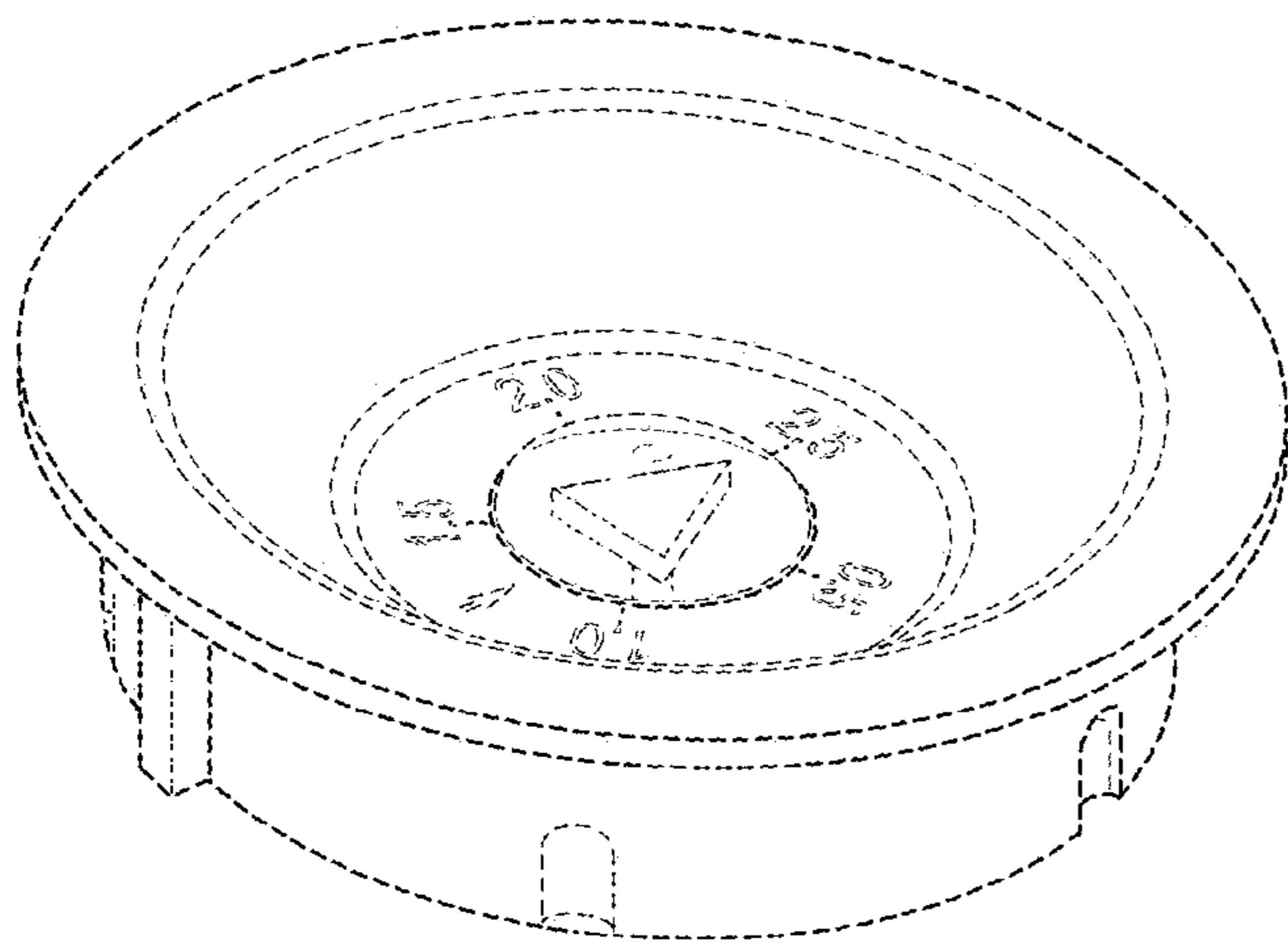


FIG. 8

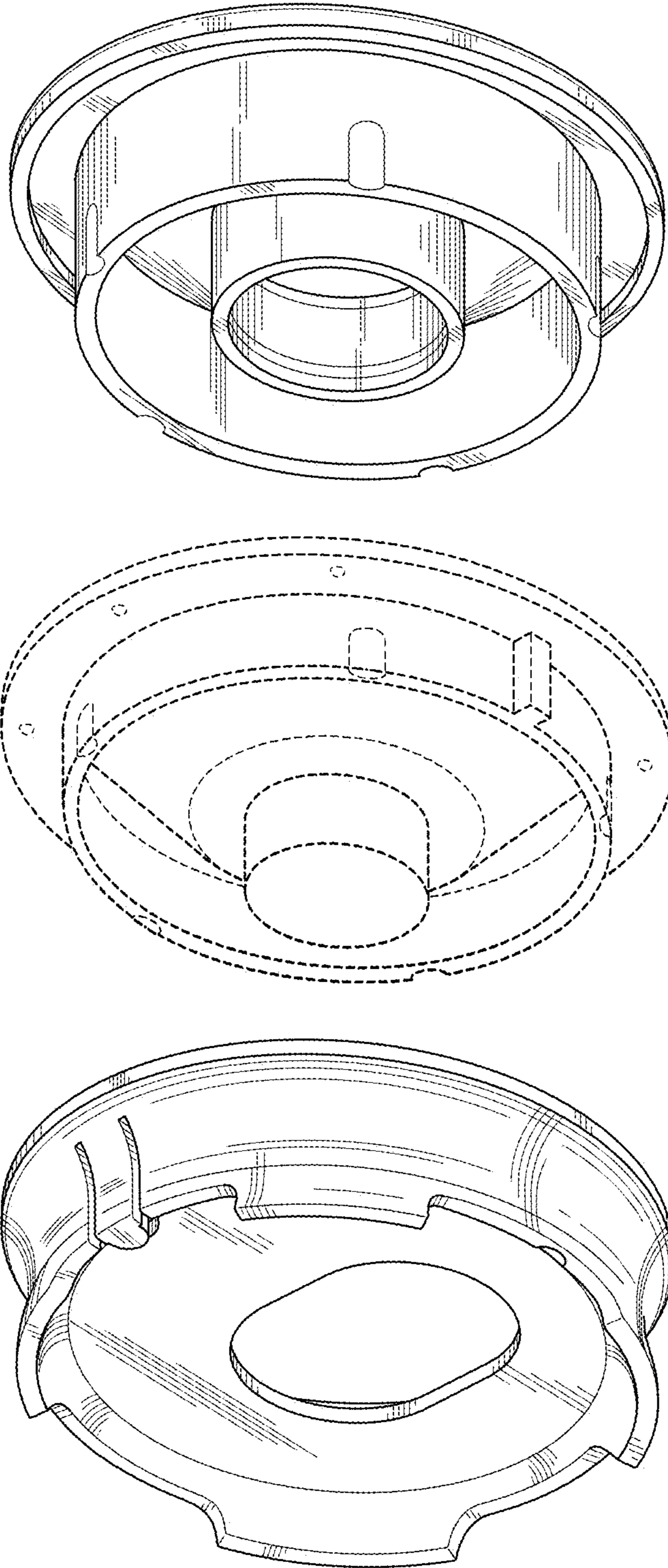


FIG. 9



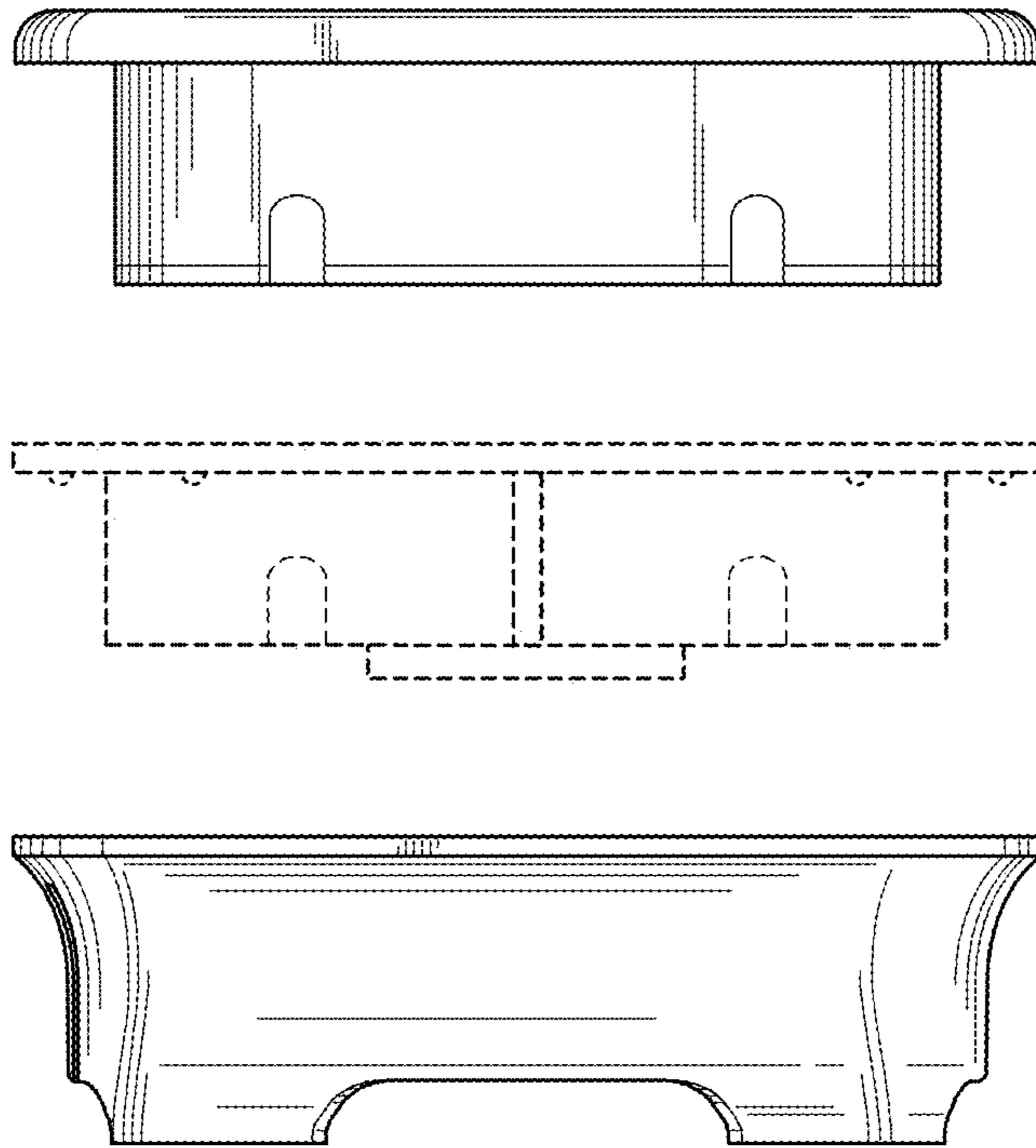


FIG. 10

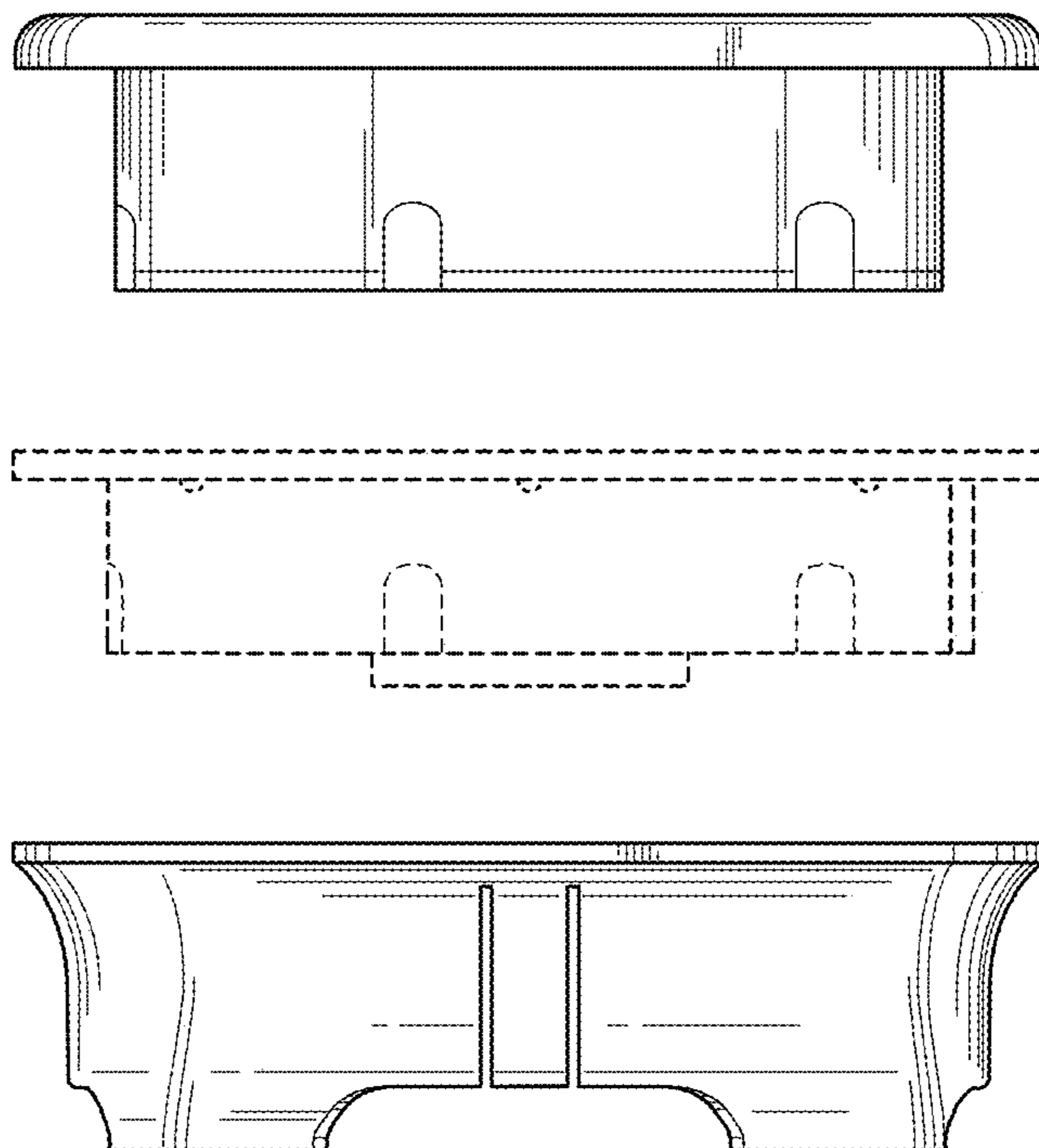


FIG. 11

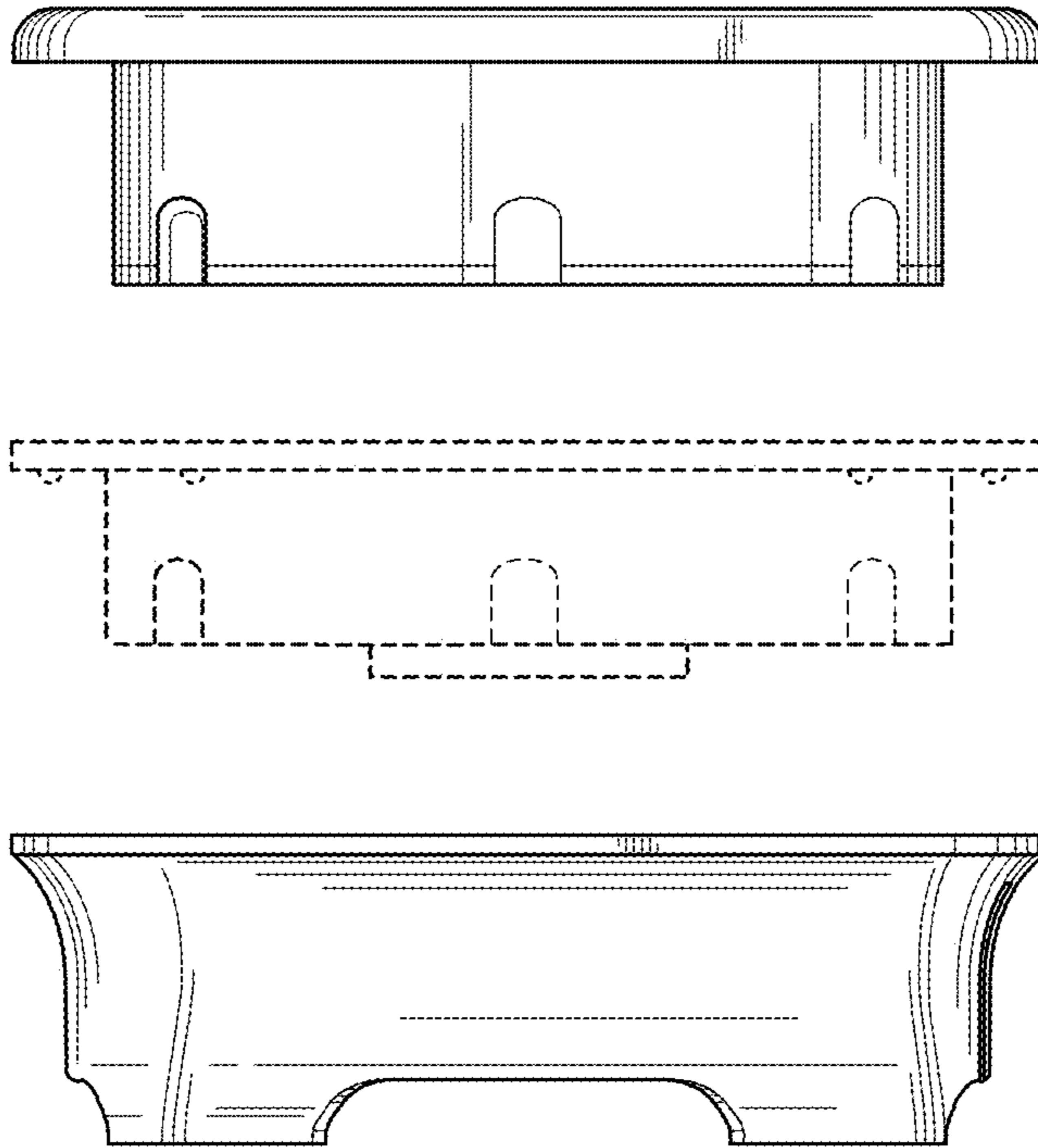


FIG. 12

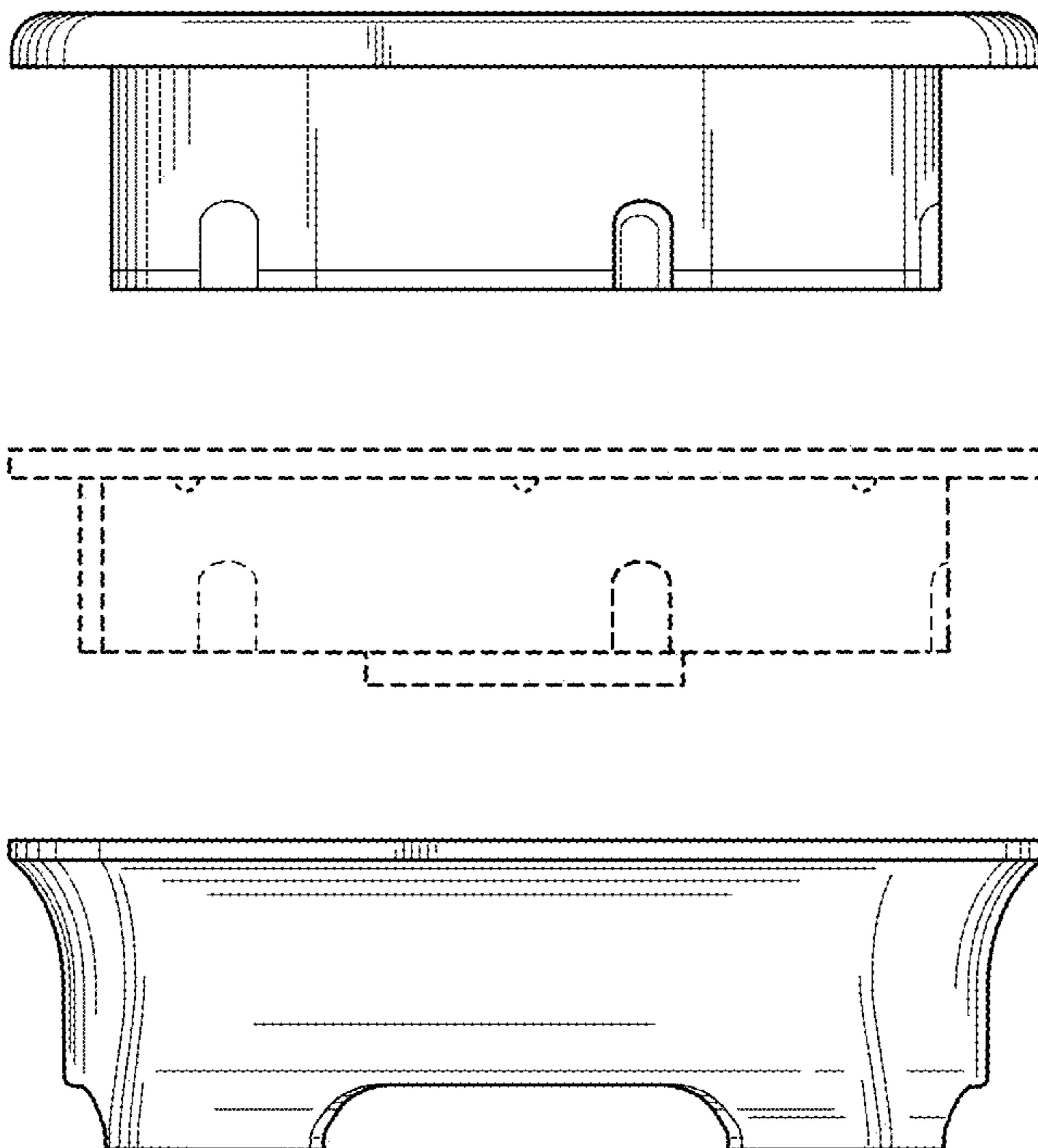


FIG. 13

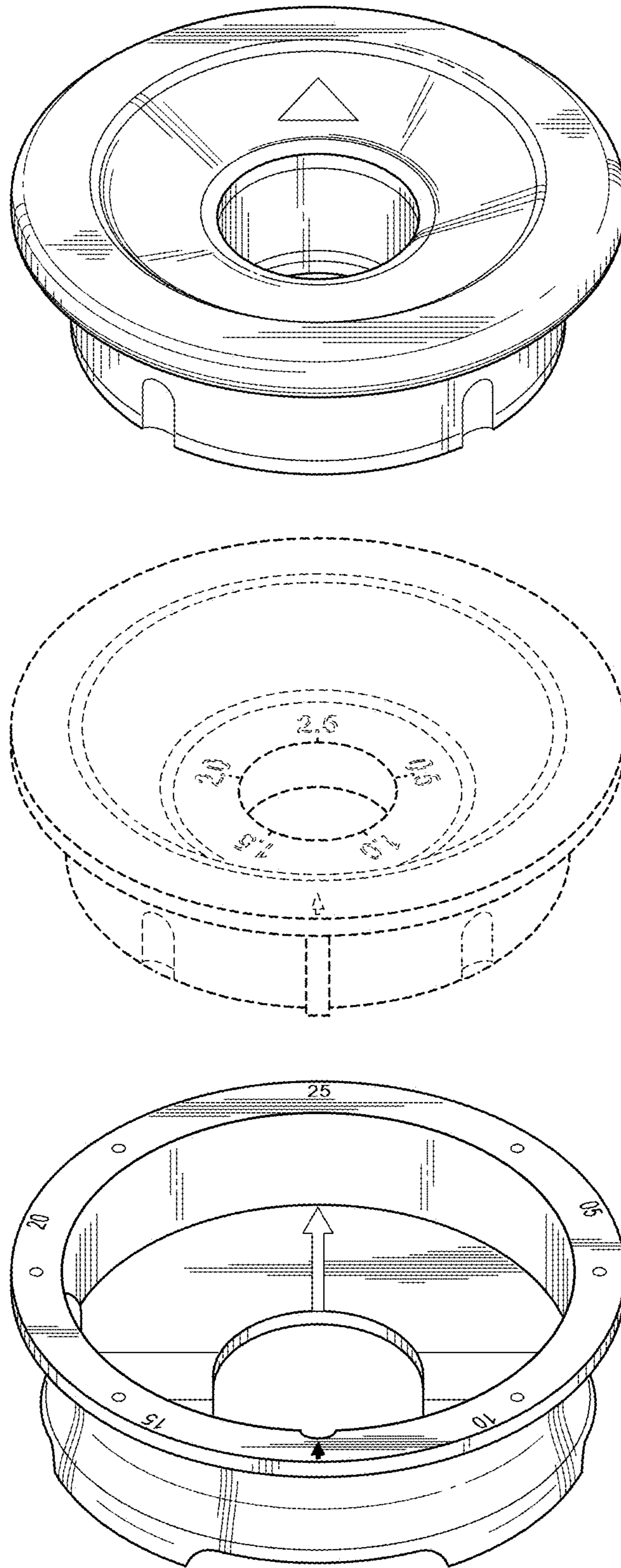


FIG. 14