



US00D961067S

(12) **United States Design Patent** (10) **Patent No.:** **US D961,067 S**
Schootstra et al. (45) **Date of Patent:** **** Aug. 16, 2022**

(54) **SYRINGE**

FOREIGN PATENT DOCUMENTS

(71) Applicant: **SJJ SOLUTIONS B.V.**, Delft (NL)

KR 300821863.0000 * 10/2015
KR 300853374.0000 * 5/2016

(72) Inventors: **Jasper Schootstra**, Delft (NL); **Sander Schootstra**, Delft (NL); **Joost Schootstra**, Delft (NL)

OTHER PUBLICATIONS

(73) Assignee: **SJJ SOLUTIONS B.V.**, Delft (NL)

Cheryl Guttman Krader, "Choosing a syringe for intravitreal injection", Modern Retina online, [Post date: Nov. 1, 2020], [Site seen Mar. 31, 2022], Seen at URL: <https://www.modernretina.com/view/choosing-a-syringe-for-intravitreal-injection> (Year: 2020).*

(**) Term: **15 Years**

(Continued)

(21) Appl. No.: **29/765,050**

(22) Filed: **Jan. 5, 2021**

Primary Examiner — Natasha Vujcic
Assistant Examiner — Gilbert B Ford

(51) **LOC (13) Cl.** **24-02**

(74) *Attorney, Agent, or Firm* — Ferguson Case Orr Paterson

(52) **U.S. Cl.**

USPC **D24/114**; D24/112

(58) **Field of Classification Search**

USPC D24/112–114, 108, 133, 127–130, 186
CPC A61M 5/178; A61M 5/20; A61M 5/31;
A61M 5/3146; A61M 5/3129; A61M
5/3148; A61M 5/315

See application file for complete search history.

(57) **CLAIM**

The ornamental design for a syringe, as shown and described herein.

DESCRIPTION

(56) **References Cited**

U.S. PATENT DOCUMENTS

D447,797	S	*	9/2001	Odell	D24/114
D480,477	S	*	10/2003	Bush	D24/130
D785,162	S	*	4/2017	Swisher	D24/114
D866,753	S	*	11/2019	Mandaroux	D24/114
D867,583	S	*	11/2019	Yang	D24/114
D870,272	S	*	12/2019	Goulinet	D24/114
10,668,215	B2	*	6/2020	Ward	A61M 5/3134
D889,639	S	*	7/2020	Johnson	D24/114
D893,019	S	*	8/2020	Ferrier	D24/112
10,772,797	B2	*	9/2020	Denenburg	A61J 1/10
10,946,143	B2	*	3/2021	Faught	A61M 5/31525
D936,218	S	*	11/2021	McLean	D24/129
2011/0264037	A1	*	10/2011	Foshee	A61M 11/00 604/82
2021/0178078	A1	*	6/2021	Schootstra	A61M 5/3293

FIG. 1 is a top, front, right side perspective view of a syringe according to the present disclosure.

FIG. 2 is a bottom, front, left side perspective view of the syringe.

FIG. 3 is a front elevation view of the syringe, the rear elevation view being a mirror image.

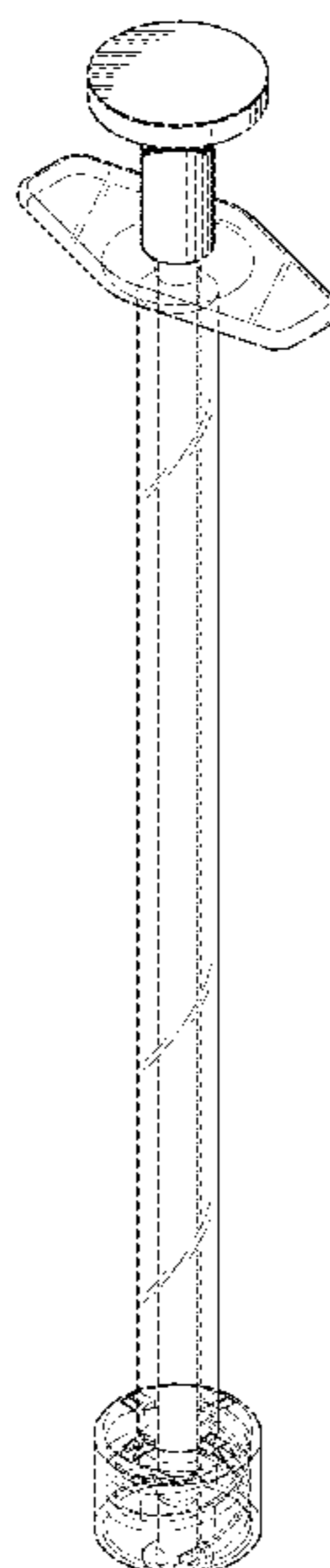
FIG. 4 is a left side elevation view of the syringe, the right side elevation view being a mirror image.

FIG. 5 is a top plan view of the syringe shown at an enlarged scale.

FIG. 6 is a bottom plan view of the syringe shown at an enlarged scale; and,

FIG. 7 is a top, front, right side exploded perspective view of the syringe.

1 Claim, 4 Drawing Sheets



(56)

References Cited

OTHER PUBLICATIONS

SOL-M™ Luer Lock Syringe without Needle (Polypropylene), Sol-Millennium, [Post date: Oct. 22, 2020], [Site seen Mar. 31, 2022], Seen at URL: <https://emea.sol-m.com/products/syringes/syringe-3-piece/sol-m-slip-tip-insulin-syringe-without-needle-polypropylene/> (Year: 2020).*

Author unknown, “FDA Approves Lucentis 0.3 mg Pre filled Syringe” American Pharmaceutical Review, [Postdate: Mar. 22, 2018], [Site seen Mar. 31, 2022], Seen at URL: <https://www.americanpharmaceuticalreview.com/1315-News/348318-FDA-Approves-Lucentis-0-3-mg-Prefilled-Syringe/> (Year: 2018).*

Zero Residual, SJJ Solutions, [Postdate: Jan. 27, 2021], [Site seen Mar. 31, 2022], Seen at URL: <https://zeroresidual.com/index.php/about/> (Year: 2021).*

* cited by examiner

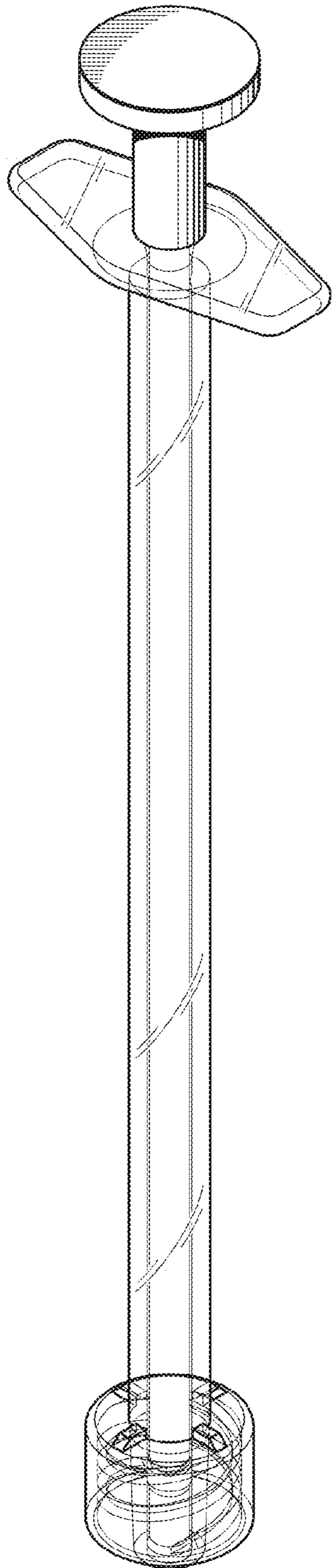


FIG. 1

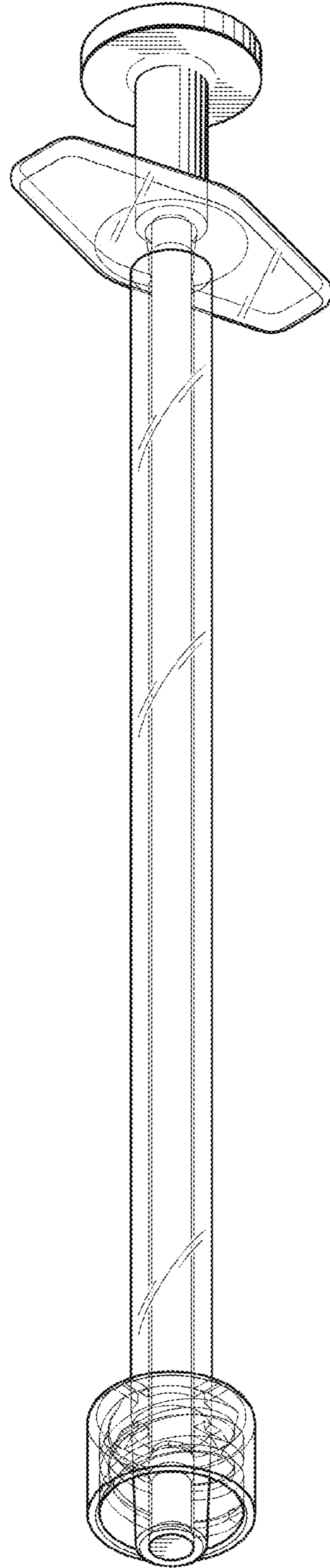


FIG. 2

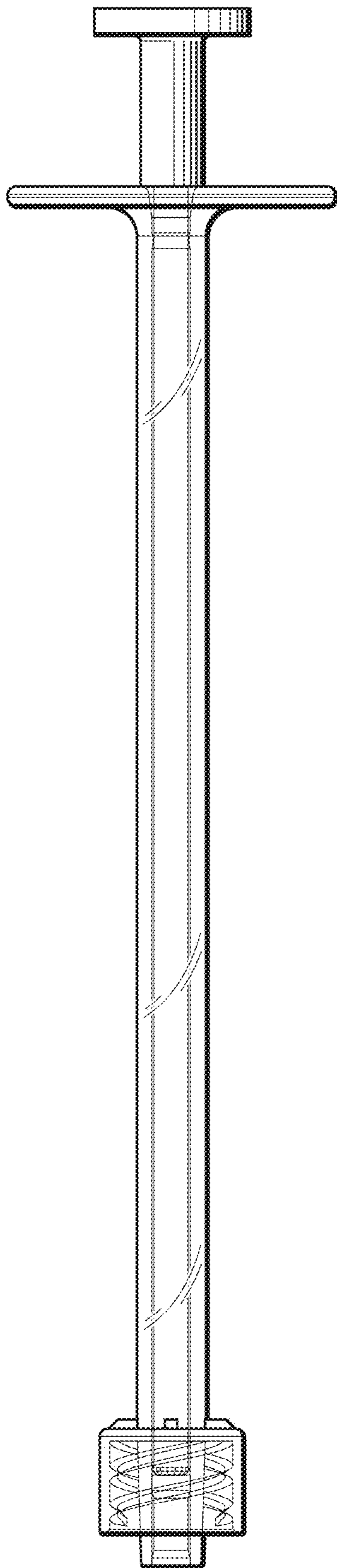


FIG. 3

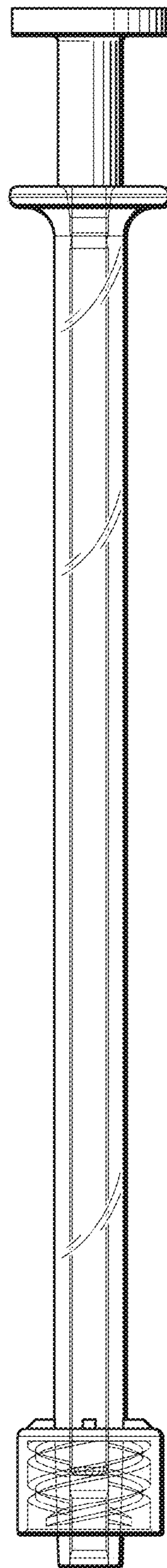


FIG. 4

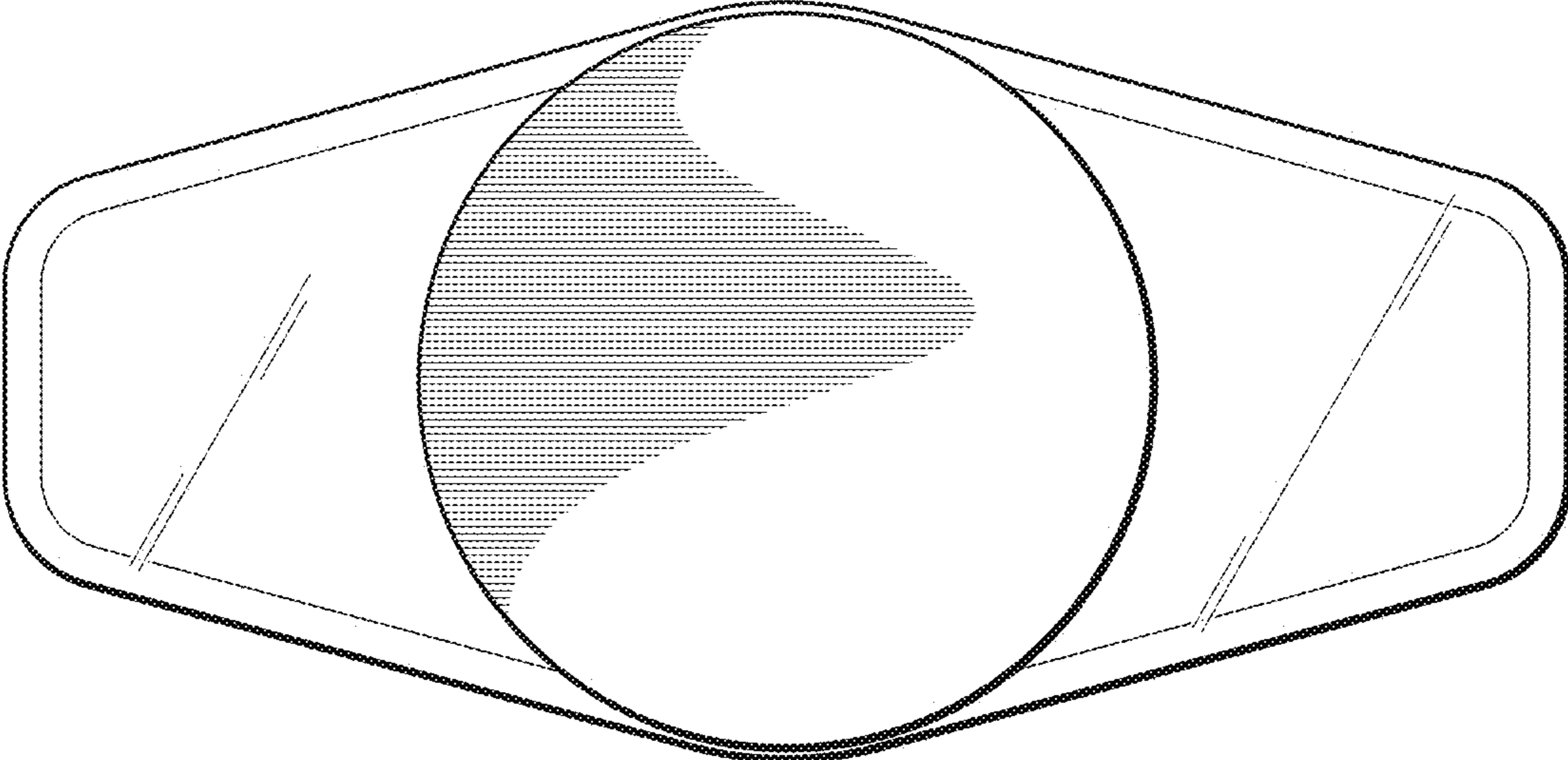


FIG. 5

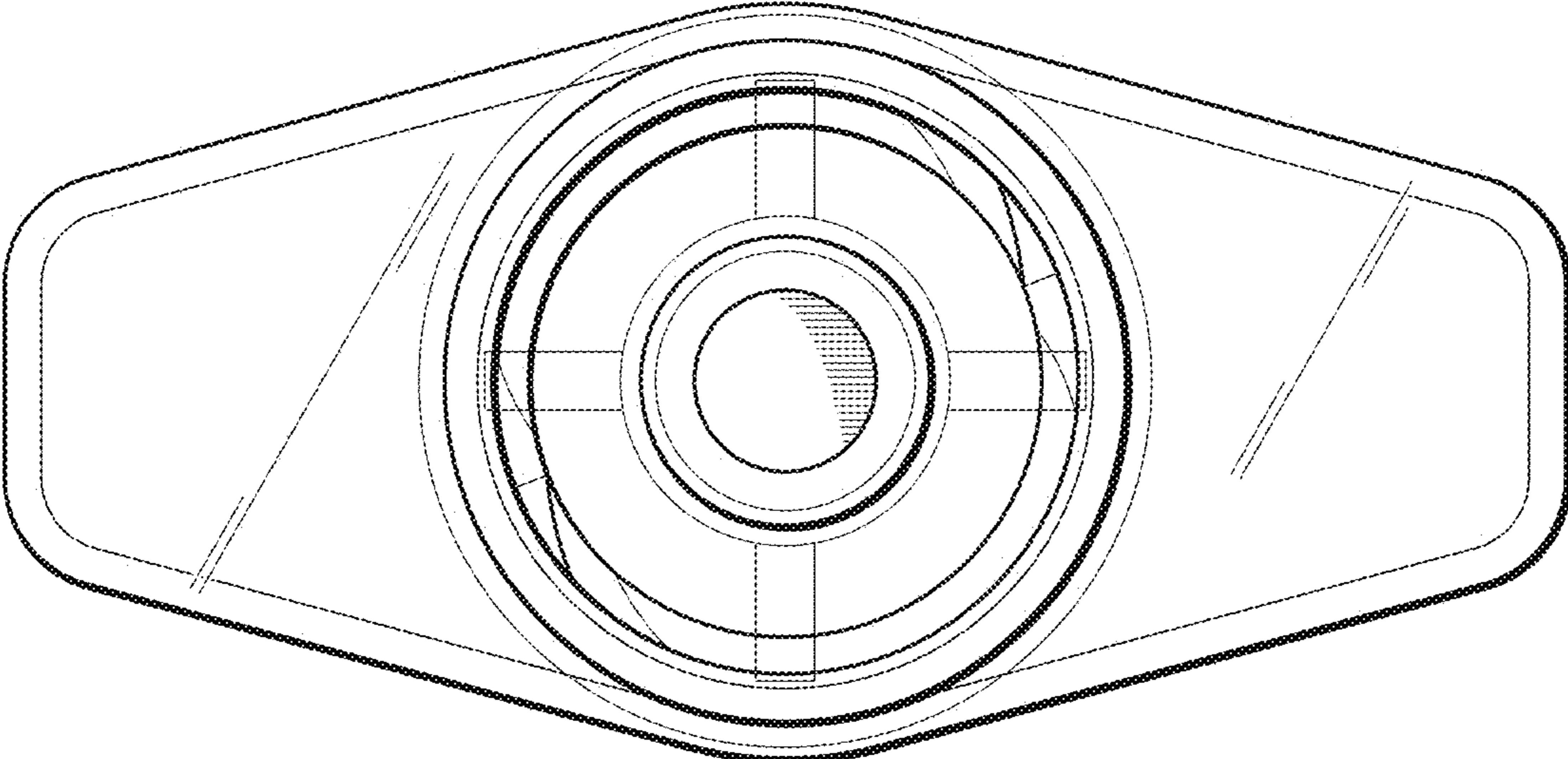


FIG. 6

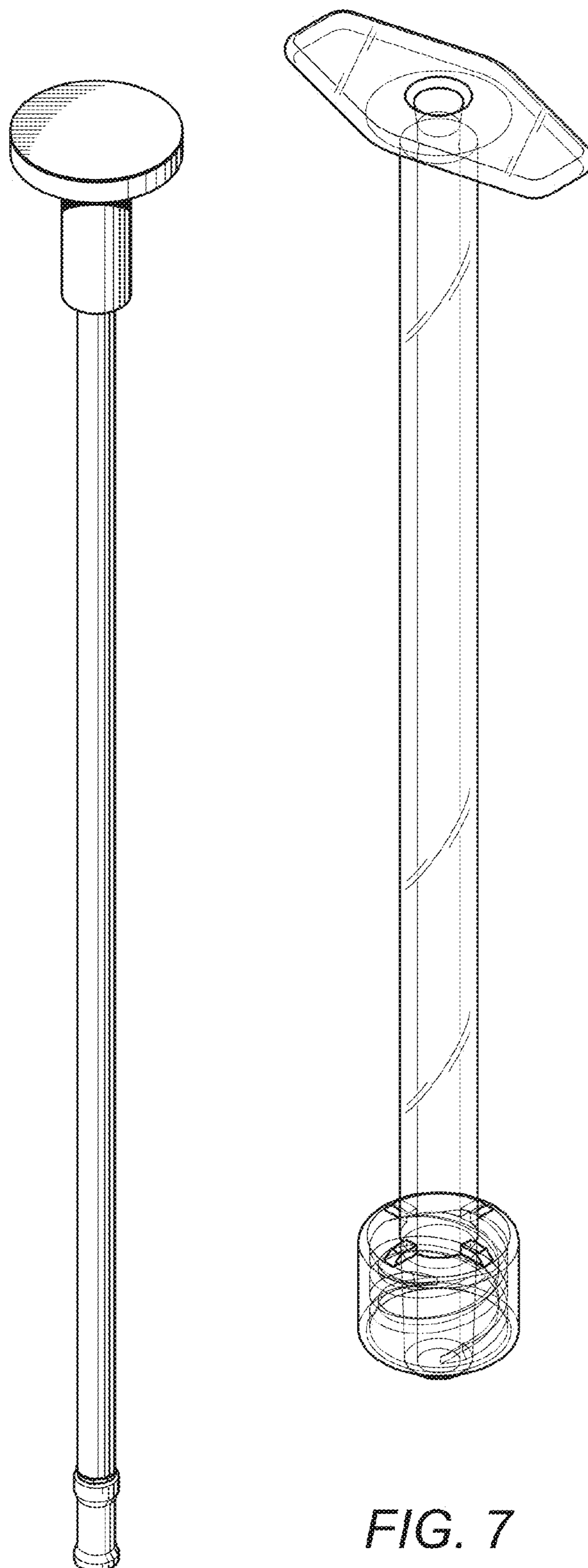


FIG. 7