



US00D961066S

(12) **United States Design Patent**
Kohlsaat et al.

(10) **Patent No.:** **US D961,066 S**
(45) **Date of Patent:** **** Aug. 16, 2022**

(54) **PART OF A MEDICAL INJECTOR**

(71) Applicant: **Carl Zeiss Meditec AG**, Jena (DE)

(72) Inventors: **Malte Kohlsaat**, Hamburg (DE); **Julian Guehrs**, Quickborn (DE)

(73) Assignee: **Carl Zeiss Meditec AG**, Jena (DE)

(**) Term: **15 Years**

(21) Appl. No.: **29/747,422**

(22) Filed: **Aug. 21, 2020**

(30) **Foreign Application Priority Data**

Feb. 24, 2020 (EM) 007711684-0001

(51) **LOC (13) Cl.** **24-02**

(52) **U.S. Cl.**

USPC **D24/113**

(58) **Field of Classification Search**

USPC D24/112-114, 133, 186, 127-131;
D19/115-123, 177, 193

CPC A61M 5/3156; A61M 5/31591; A61M
5/3155; A61M 5/3157; A61M 5/24;
A61M 5/31501; A61M 5/31551; A61M
5/31585

See application file for complete search history.

(56) **References Cited**

U.S. PATENT DOCUMENTS

D133,158 S * 7/1942 Behr, Jr. D24/133
D454,394 S * 3/2002 Jansen D24/130
D584,408 S * 1/2009 Castellani D24/130
10,213,559 B2 * 2/2019 Soerensen A61M 5/31501
D861,859 S * 10/2019 Rapp D24/113
D866,751 S * 11/2019 Rogge D24/113
D898,900 S * 10/2020 Atterbury D24/113

(Continued)

FOREIGN PATENT DOCUMENTS

EM 007711684-0001 * 3/2020
GB 6097749 * 8/2020
JP D1638400 * 8/2019

OTHER PUBLICATIONS

The BD Physioject™, BD.com, [Post date unknown], [Site seen Feb. 22, 2022], Seen at URL: <https://drugdeliverysystems.bd.com/products/self-injection-systems/physioject-disposable-autoinjector> (Year: 2022).*

Primary Examiner — Natasha Vujcic

Assistant Examiner — Gilbert B Ford

(74) *Attorney, Agent, or Firm* — Walter Ottesen, P.A.

(57) **CLAIM**

The ornamental design for a part of a medical injector, as shown and described.

DESCRIPTION

FIG. 1 is a first perspective view of a part of the medical injector of our new design;

FIG. 2 is a second perspective view of the part of the medical injector of FIG. 1;

FIG. 3 is a front elevation view of the part of the medical injector of FIG. 1;

FIG. 4 is a rear elevation view of the part of the medical injector of FIG. 1;

FIG. 5 is a top plan view of the part of the medical injector of FIG. 1;

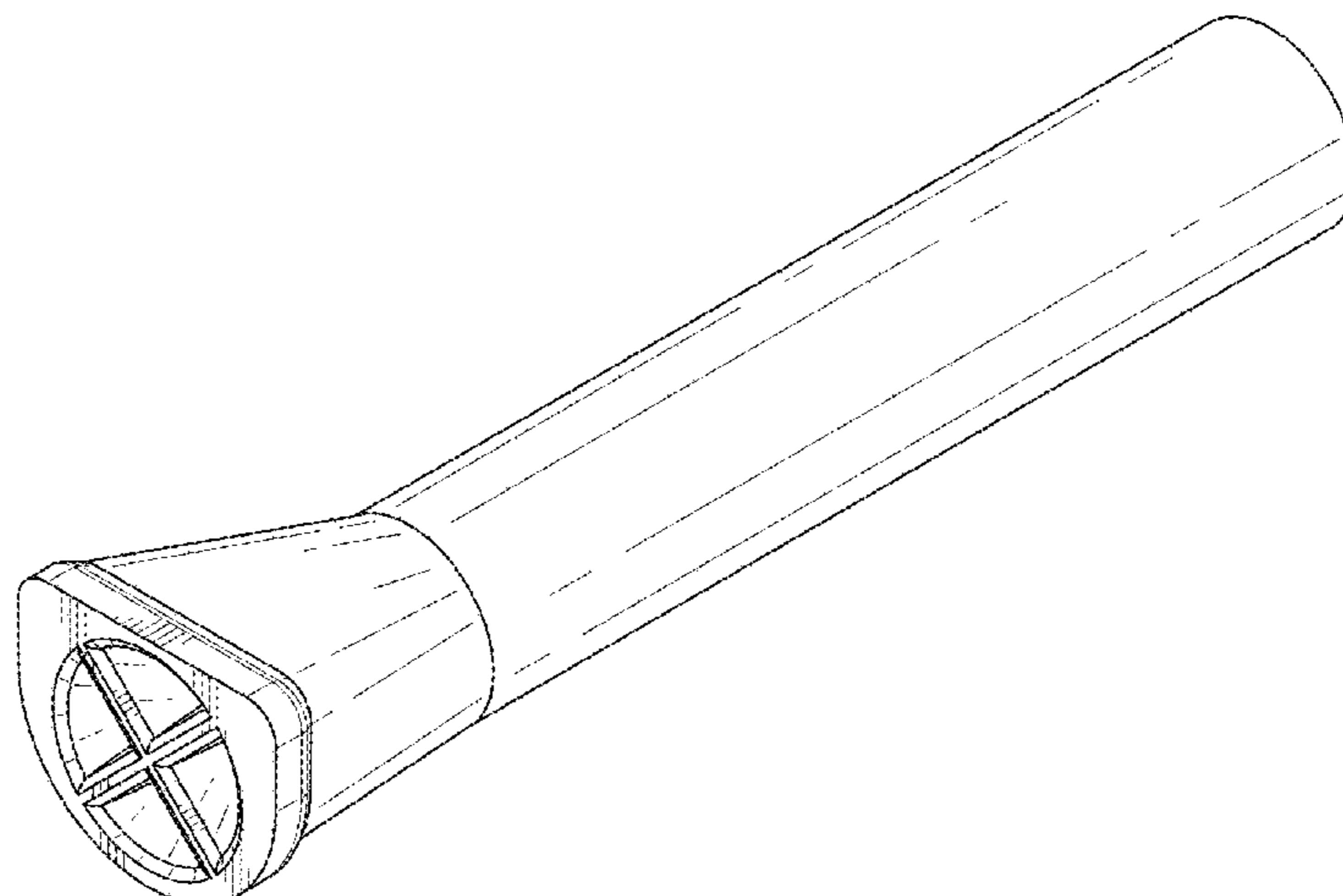
FIG. 6 is a bottom plan view of the part of the medical injector of FIG. 1;

FIG. 7 is a left side elevation view of the part of the medical injector of FIG. 1;

FIG. 8 is a right side elevation view of the part of the medical injector of FIG. 1; and,

FIG. 9 is a sectional view of the part of the medical injector of FIG. 1.

(Continued)



The broken lines in FIGS. 2, 4 and 9 illustrate portions of a part of a medical injector which form no part of the claimed design.

1 Claim, 5 Drawing Sheets

(56) **References Cited**

U.S. PATENT DOCUMENTS

D910,837 S * 2/2021 Ono D24/112
D922,566 S * 6/2021 Ono D24/112

* cited by examiner

FIG. 1

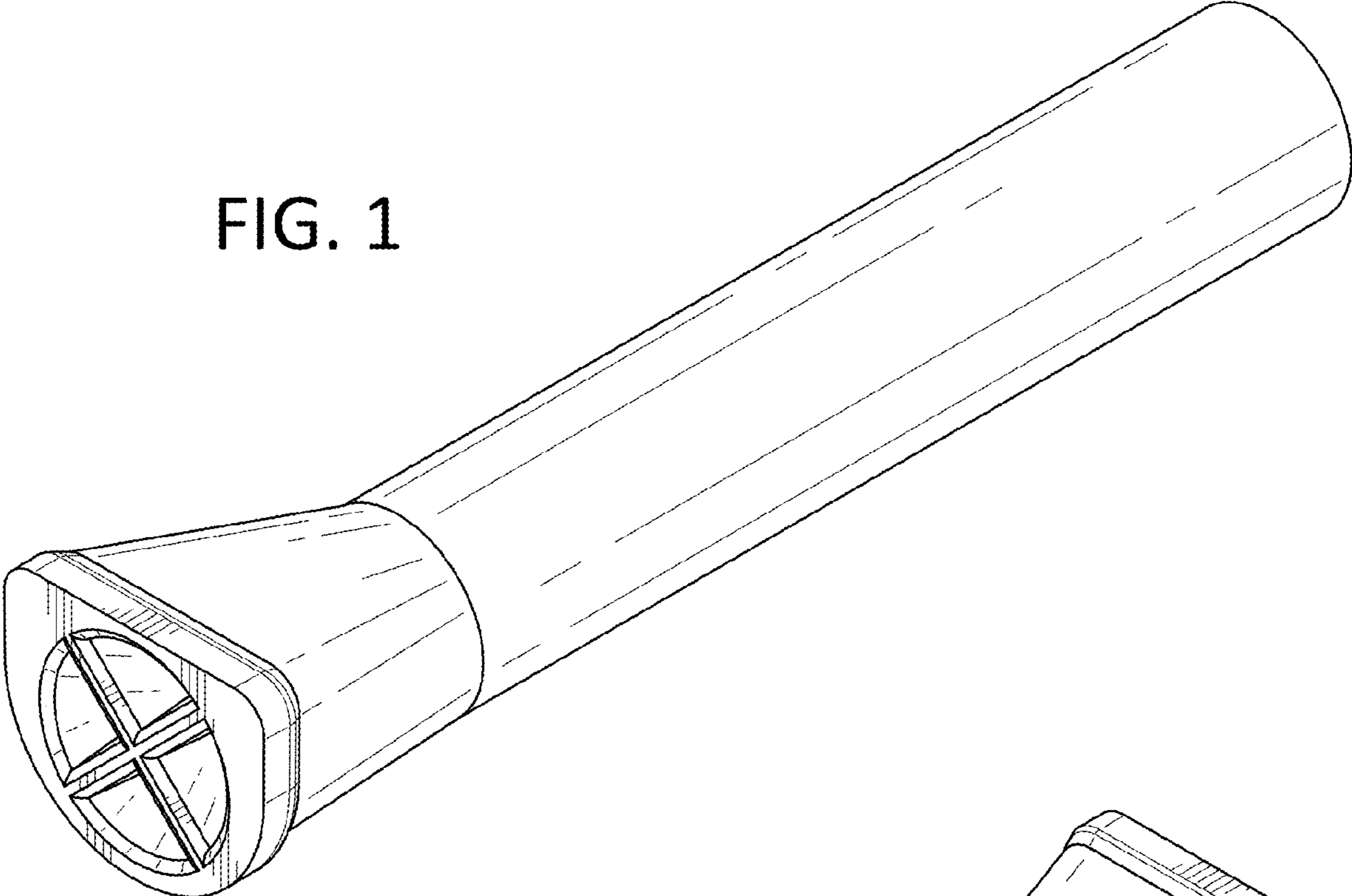
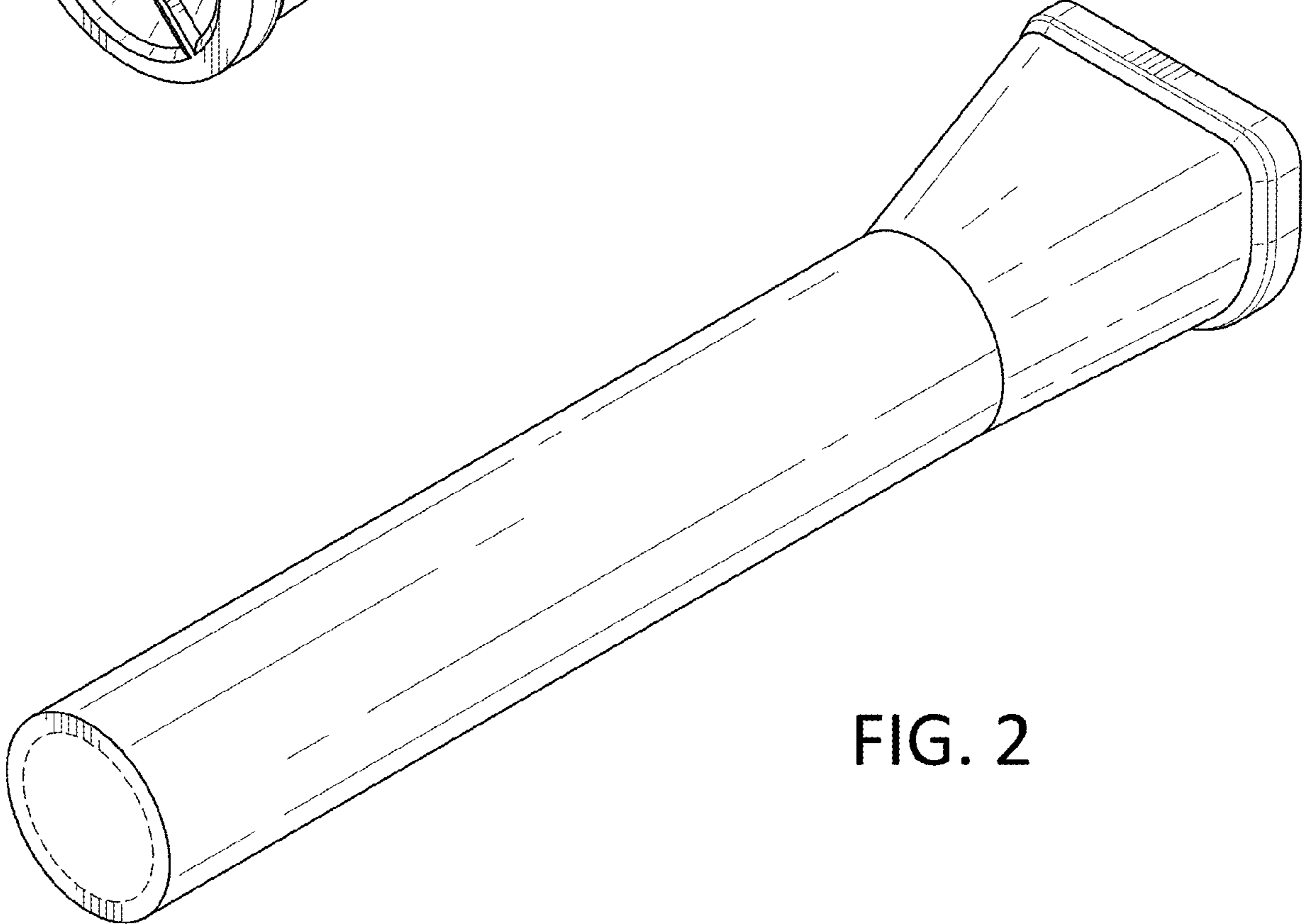


FIG. 2



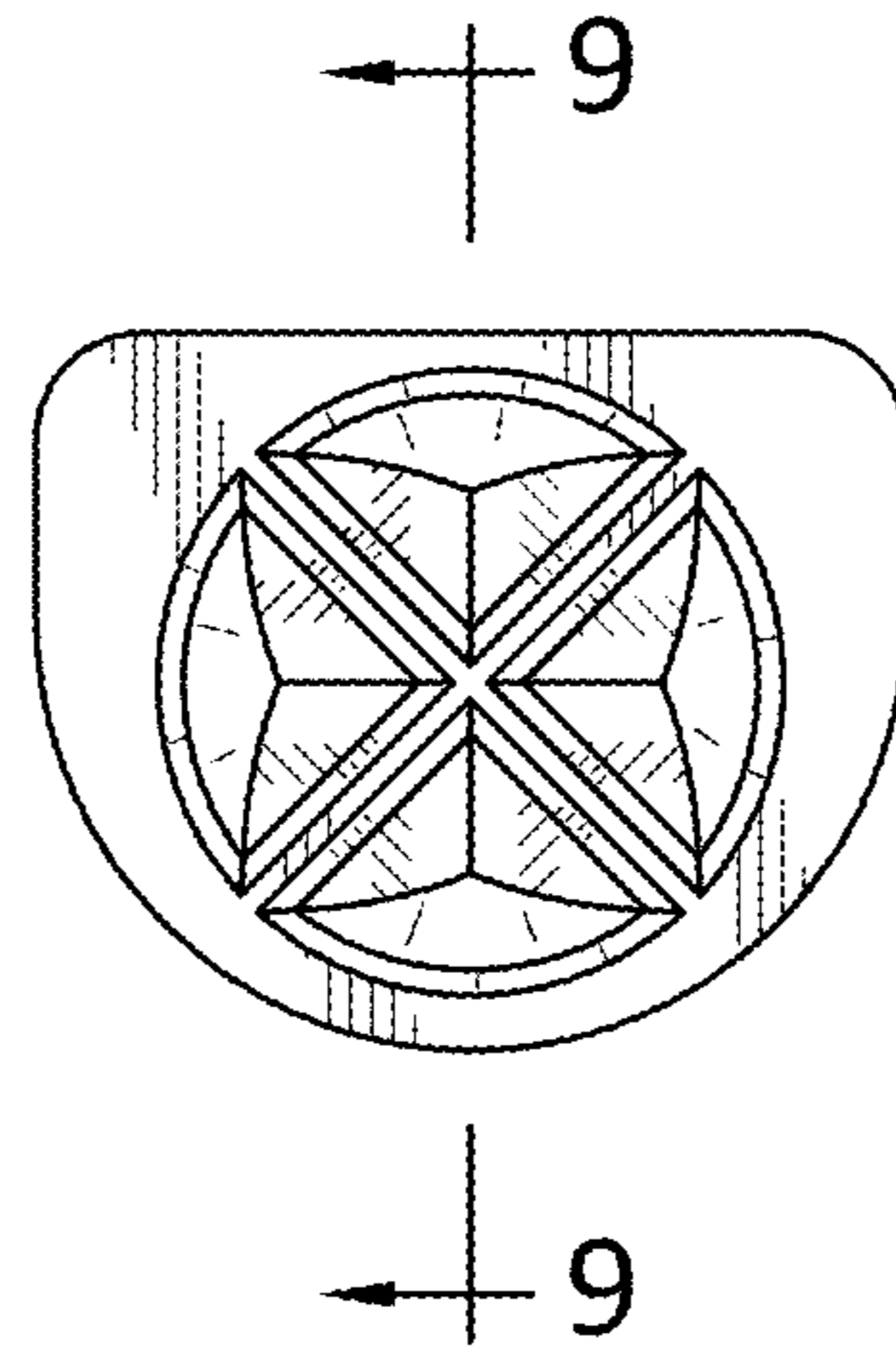


FIG. 3

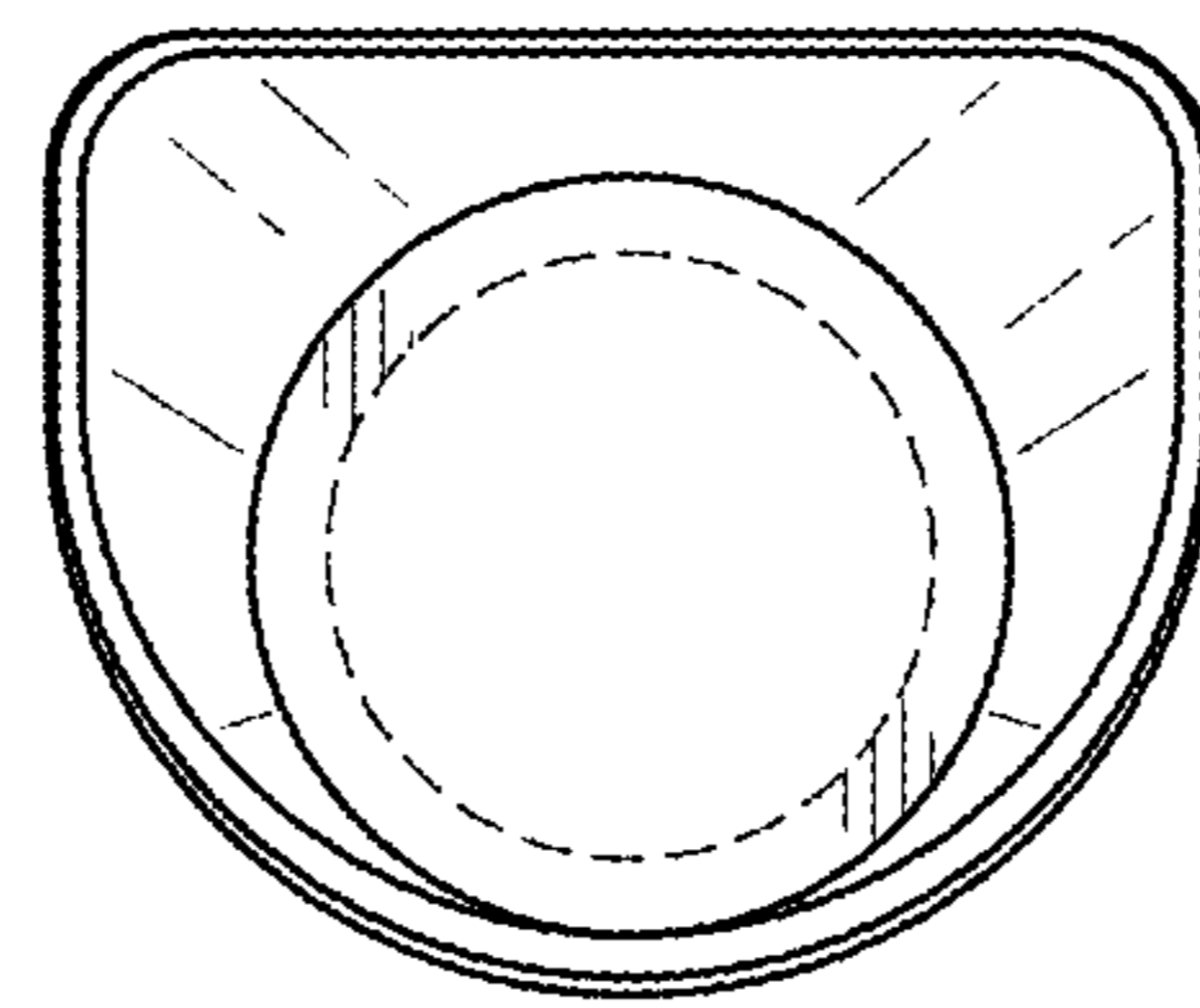


FIG. 4

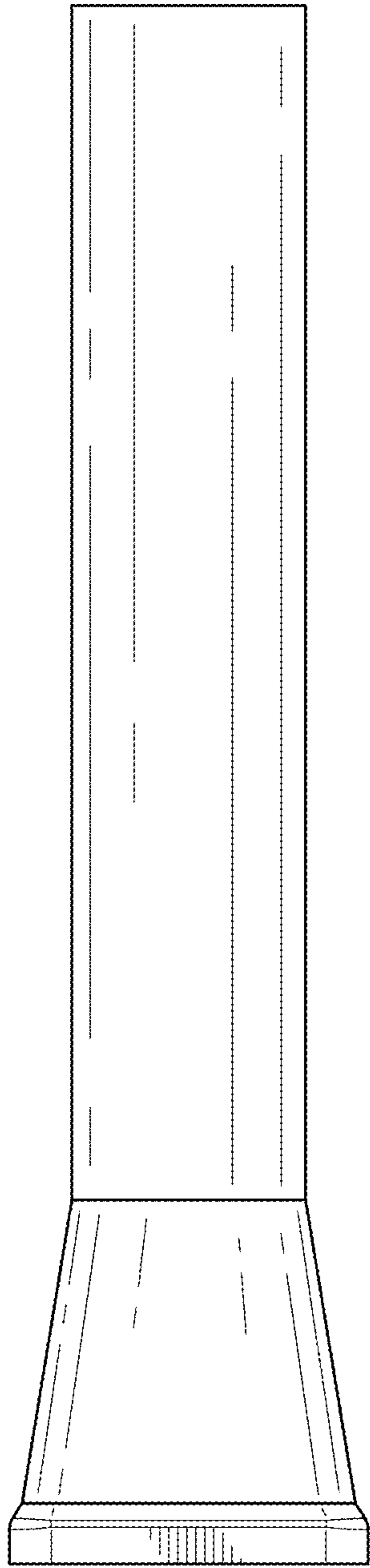


FIG. 5

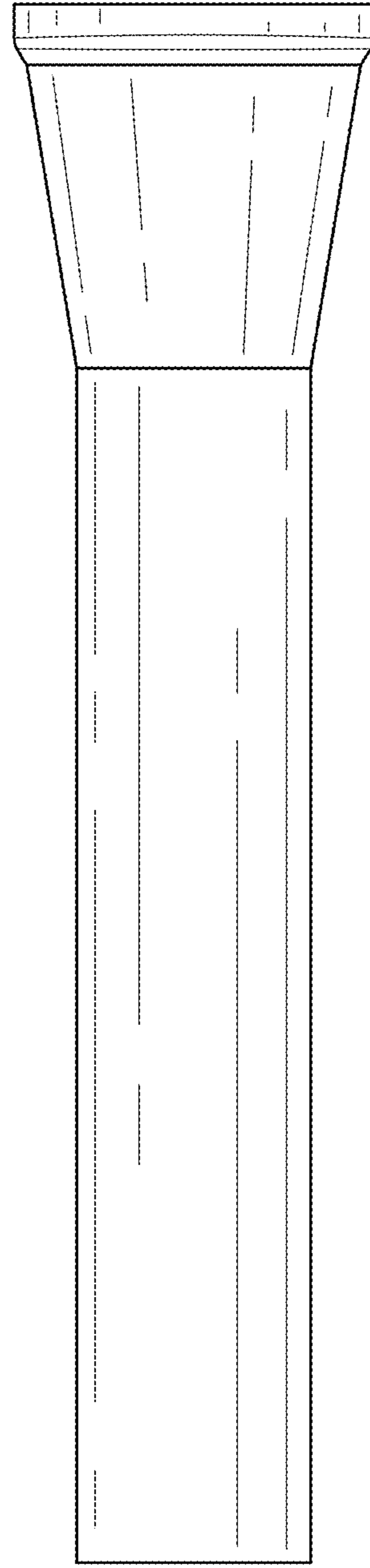


FIG. 6

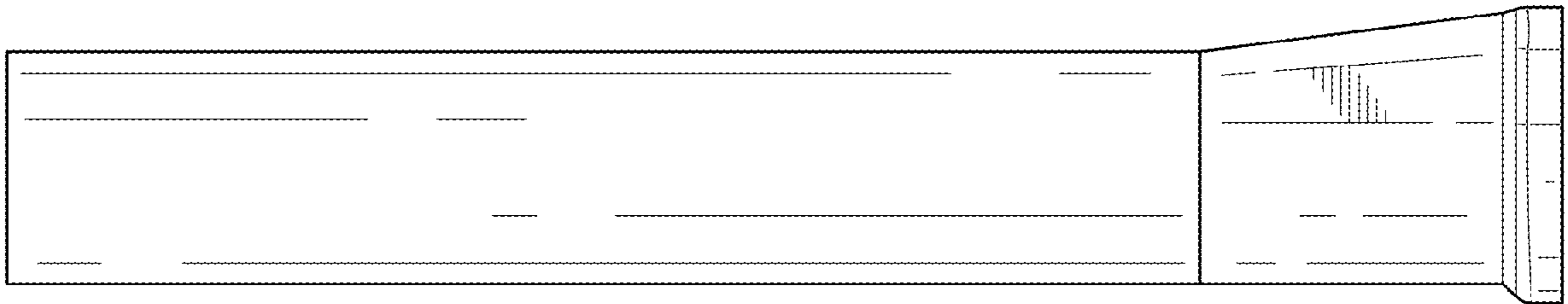


FIG. 7

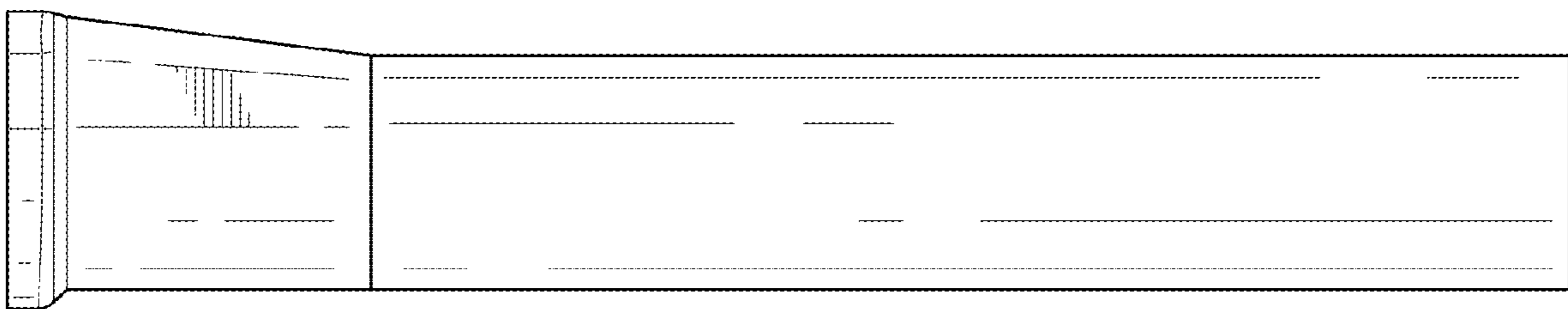


FIG. 8

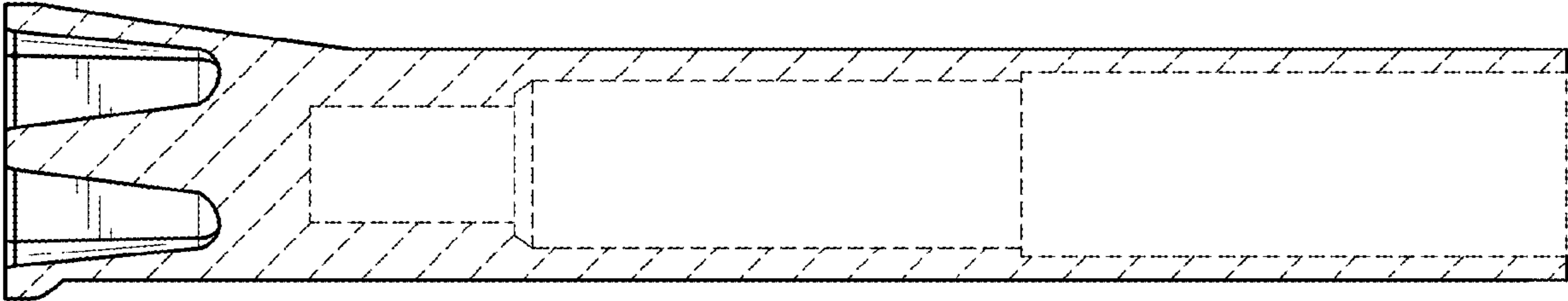


FIG. 9