



US00D961064S

(12) **United States Design Patent**  
**Li**

(10) **Patent No.:** **US D961,064 S**

(45) **Date of Patent:** **\*\* Aug. 16, 2022**

(54) **FAN**

(71) Applicant: **SHENZHEN JISU TECHNOLOGY CO., LTD**, Shenzhen (CN)

(72) Inventor: **Xiangfu Li**, Shenzhen (CN)

(73) Assignee: **SHENZHEN JISU TECHNOLOGY CO., LTD**, Shenzhen (CN)

(\*\*) Term: **15 Years**

(21) Appl. No.: **29/761,368**

(22) Filed: **Dec. 9, 2020**

(30) **Foreign Application Priority Data**

Sep. 29, 2020 (CN) ..... 202030588817.1

(51) **LOC (13) Cl.** ..... **23-04**

(52) **U.S. Cl.**  
USPC ..... **D23/382**

(58) **Field of Classification Search**  
USPC ..... D23/328, 332-337, 341, 351, 352, 355,  
D23/356, 364, 370, 378, 381-383,  
D23/386-390, 411-412  
CPC .... F04D 25/0673; F04D 25/08; F04D 25/084;  
F04D 25/086; F04D 29/4226

See application file for complete search history.

(56) **References Cited**

**U.S. PATENT DOCUMENTS**

5,547,343 A \* 8/1996 Jane ..... F04D 29/601  
416/246  
D416,321 S \* 11/1999 Jane ..... D23/382

D669,976 S \* 10/2012 Hsu ..... D23/382  
D865,937 S \* 11/2019 Lin ..... D23/382  
D890,912 S \* 7/2020 Ma ..... D23/382  
D902,374 S \* 11/2020 Li ..... D23/382  
D948,702 S \* 4/2022 Ma ..... D23/382  
D951,424 S \* 5/2022 Chen ..... D23/382  
D952,829 S \* 5/2022 Ye ..... D23/382  
2020/0011338 A1 \* 1/2020 Lin ..... F04D 25/105

\* cited by examiner

*Primary Examiner* — Sharon S Oum

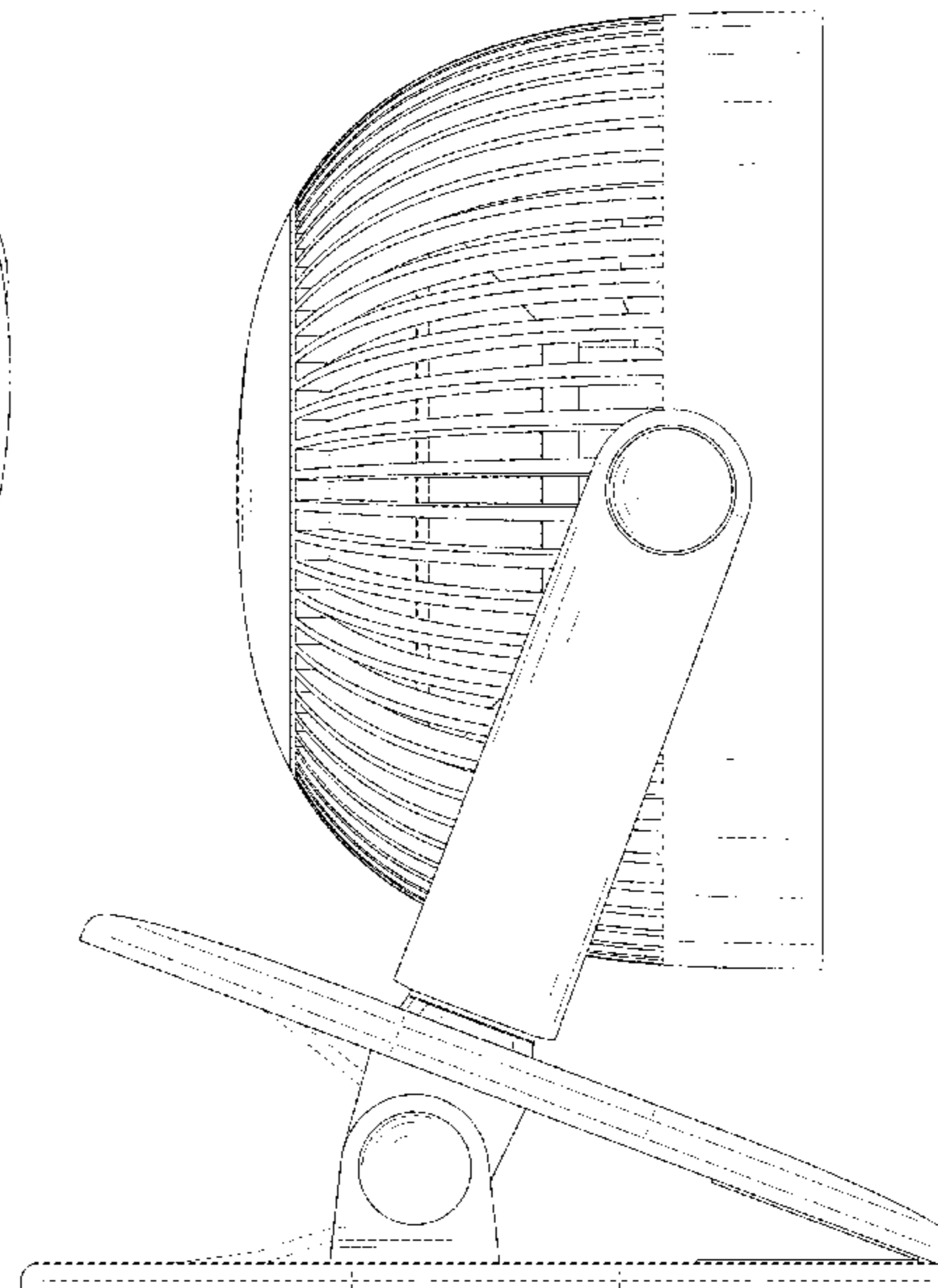
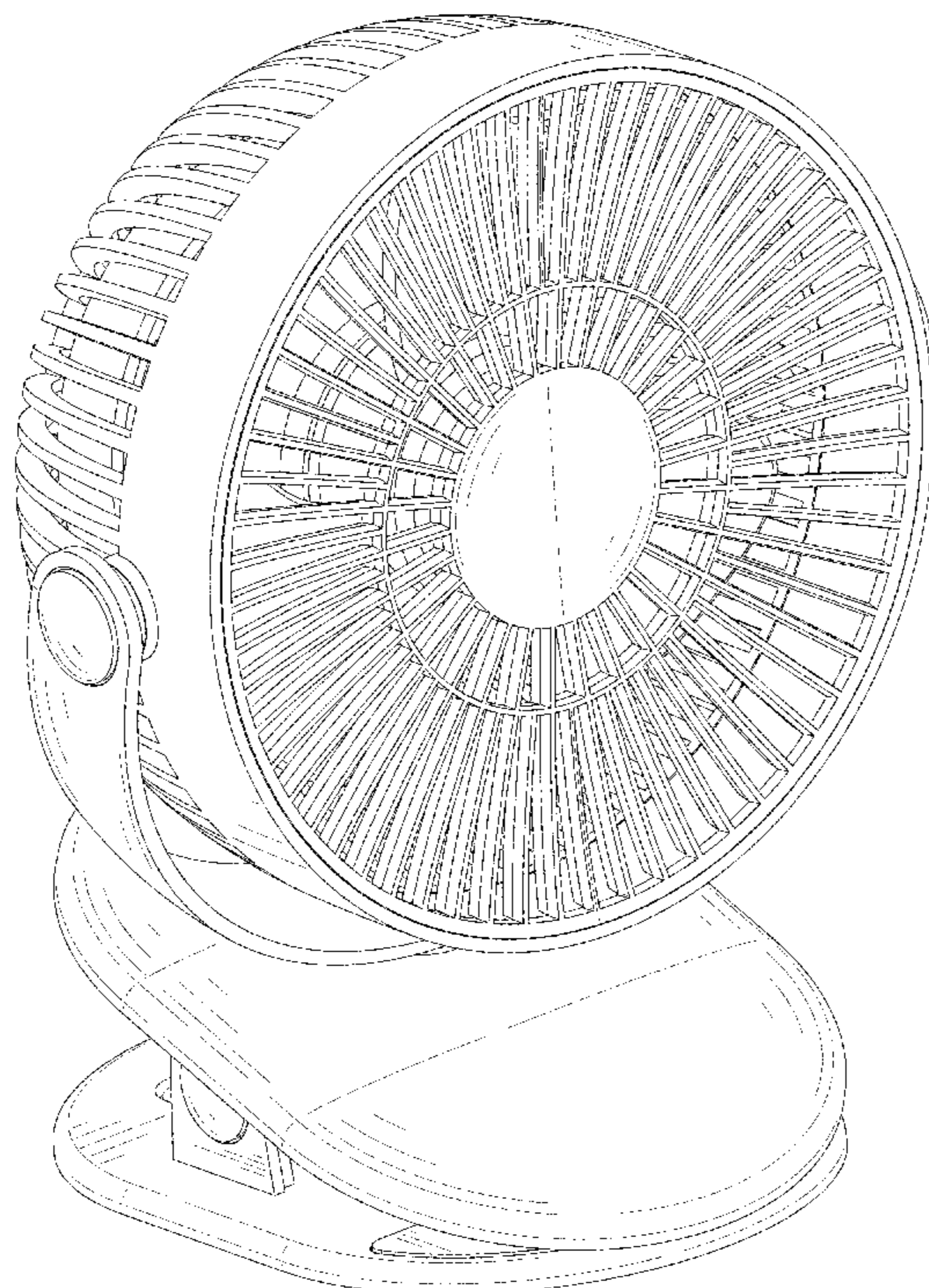
(57) **CLAIM**

The ornamental design for a fan, as shown and described.

**DESCRIPTION**

FIG. 1 is a perspective view of a fan showing my new design;  
FIG. 2 is another perspective view thereof;  
FIG. 3 is another perspective view thereof;  
FIG. 4 is a front elevational view thereof;  
FIG. 5 is a rear elevational view thereof;  
FIG. 6 is a left side elevational view thereof;  
FIG. 7 is a right side elevational view thereof;  
FIG. 8 is a top plan view thereof; and,  
FIG. 9 is a bottom plan view thereof.  
The broken lines in the drawings depict portions of the fan that form no part of the claimed design.

**1 Claim, 9 Drawing Sheets**



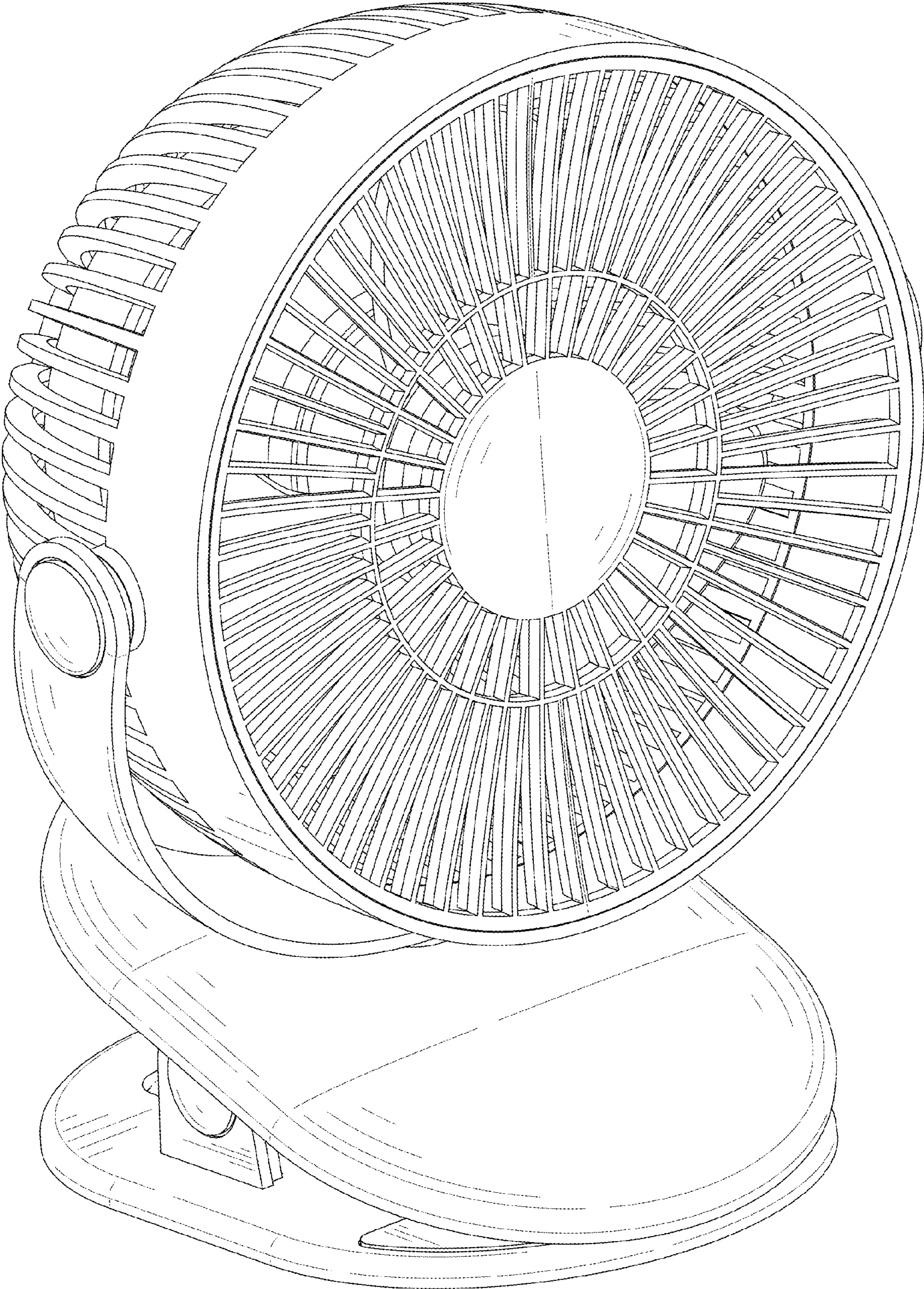


FIG. 1

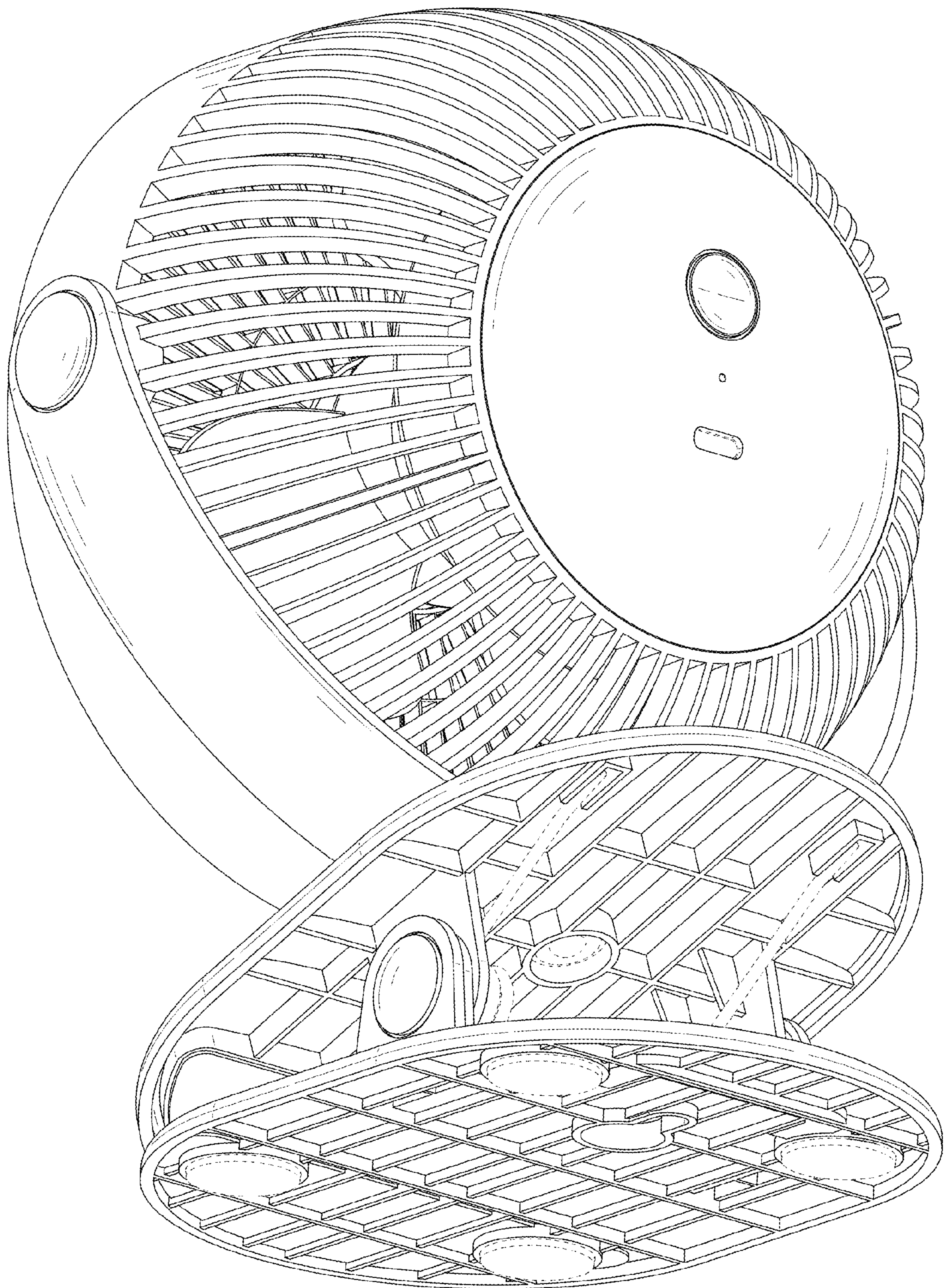


FIG. 2

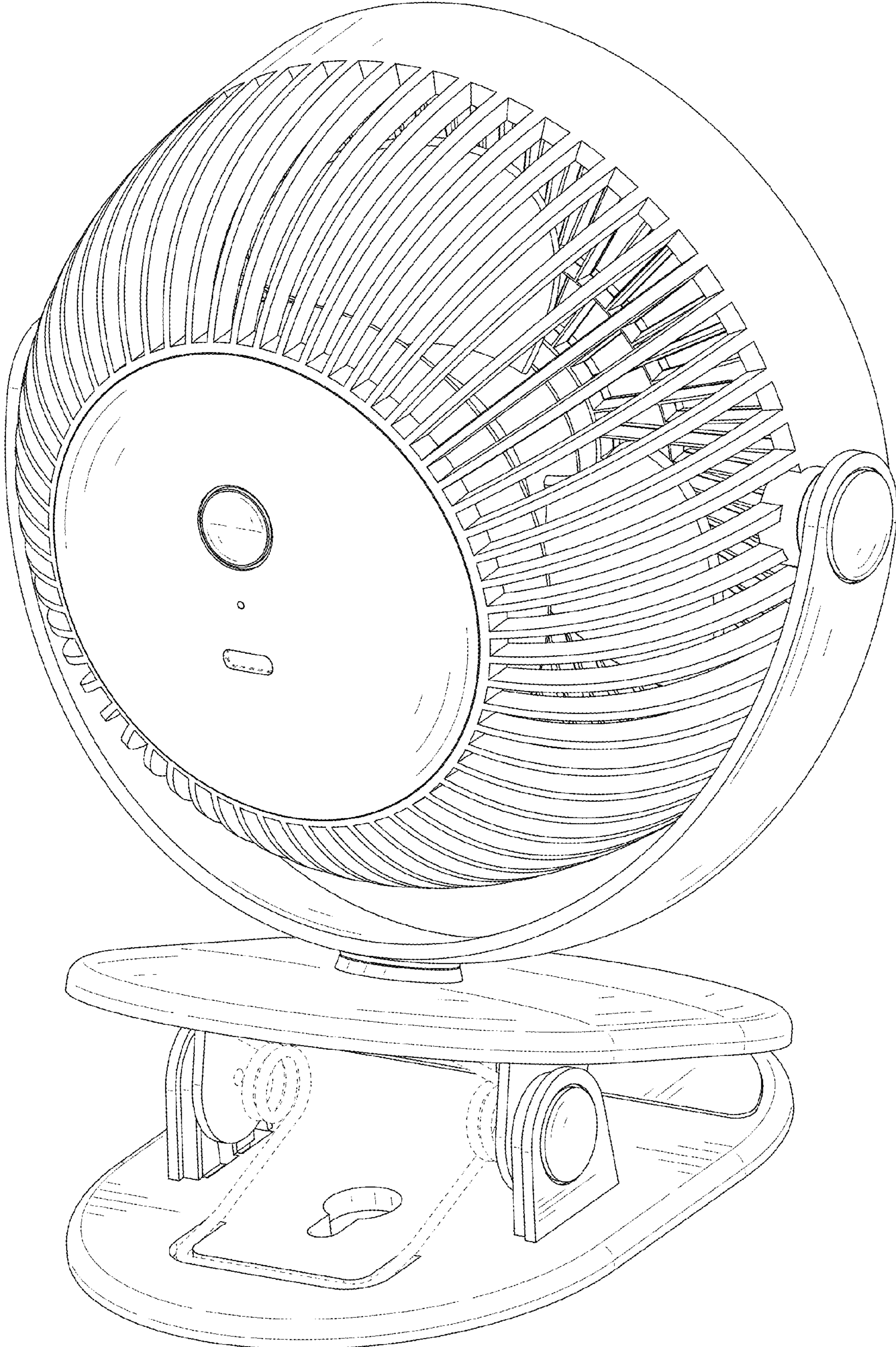


FIG. 3

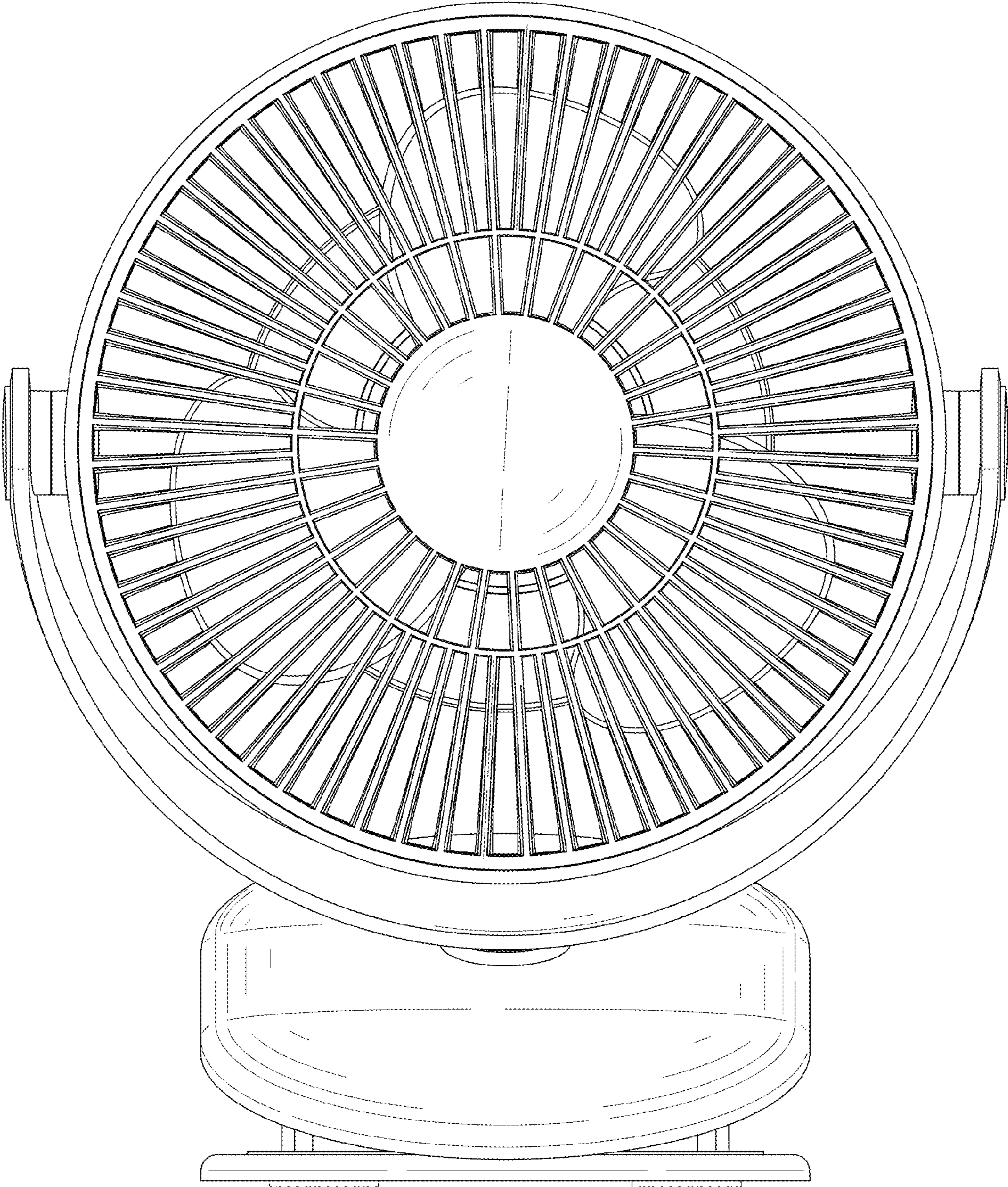


FIG. 4

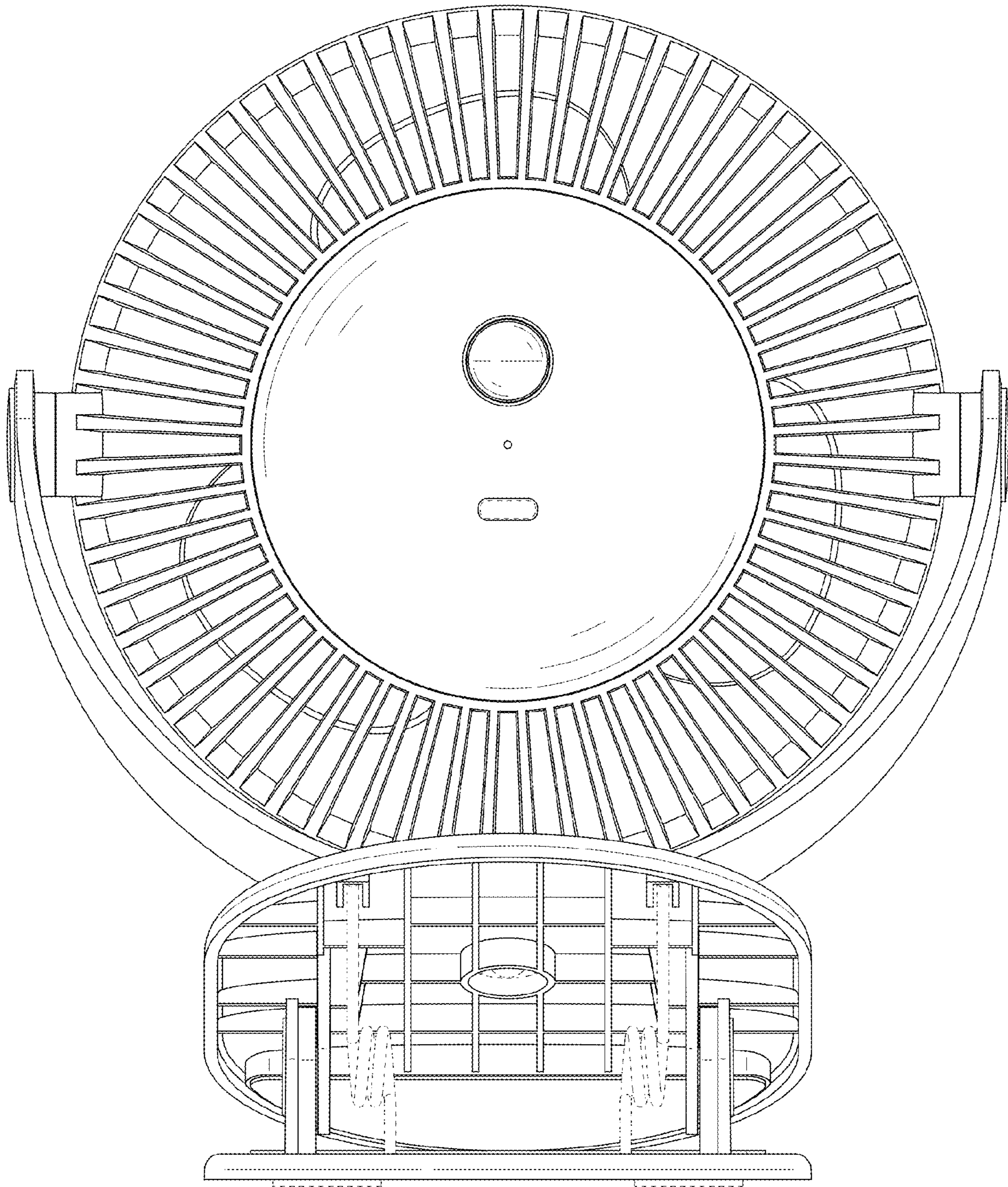


FIG. 5

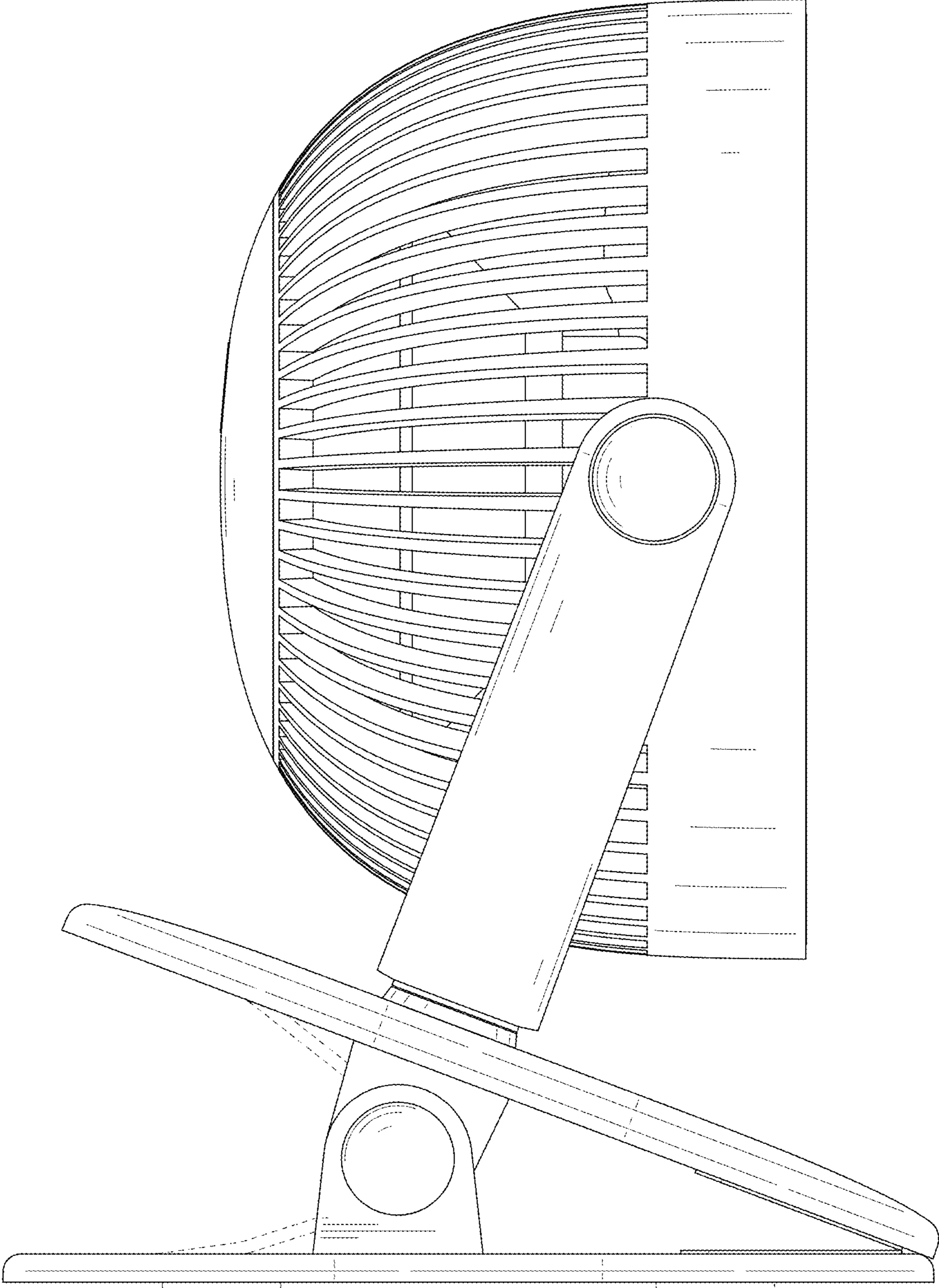


FIG. 6

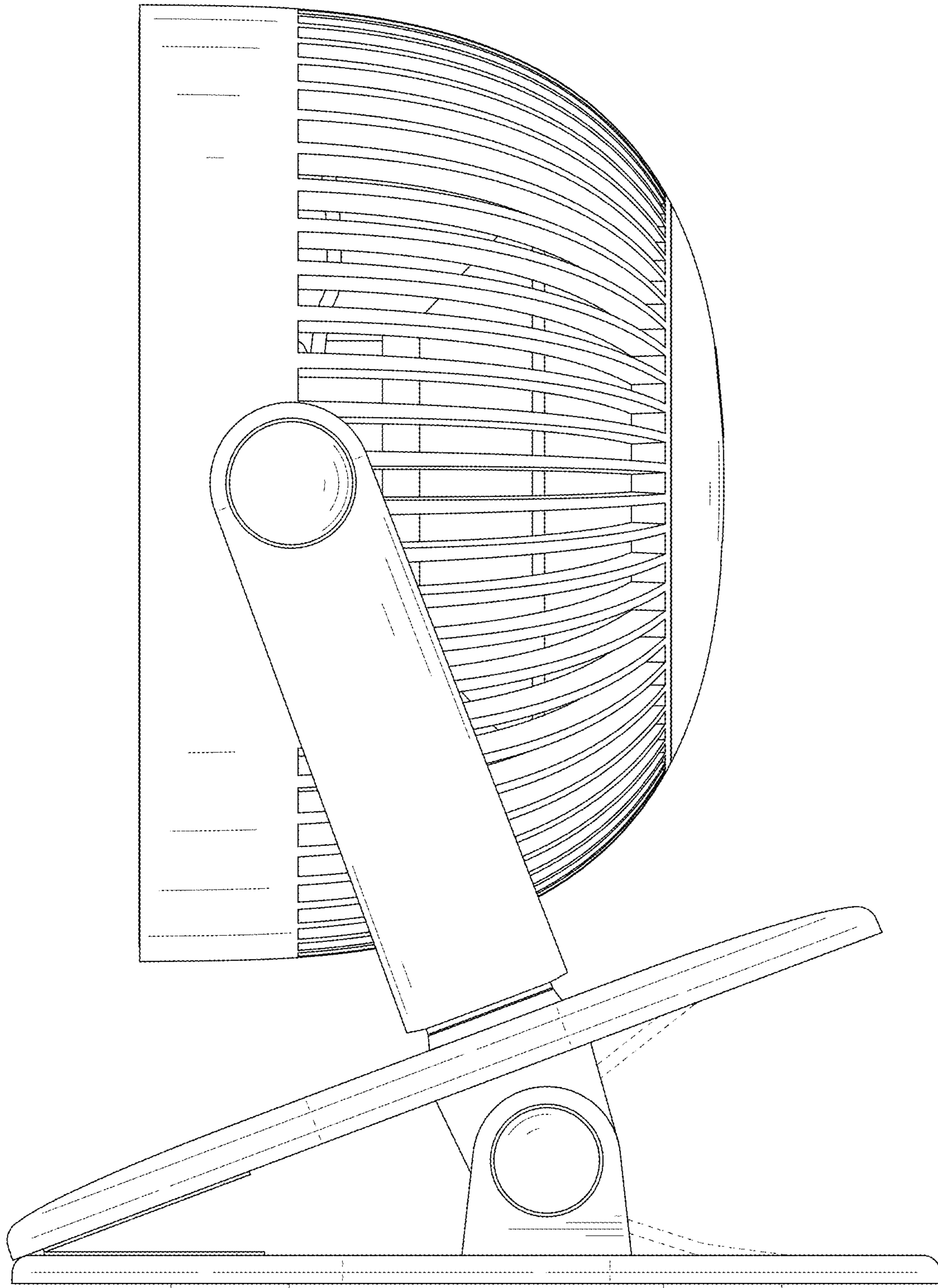


FIG. 7



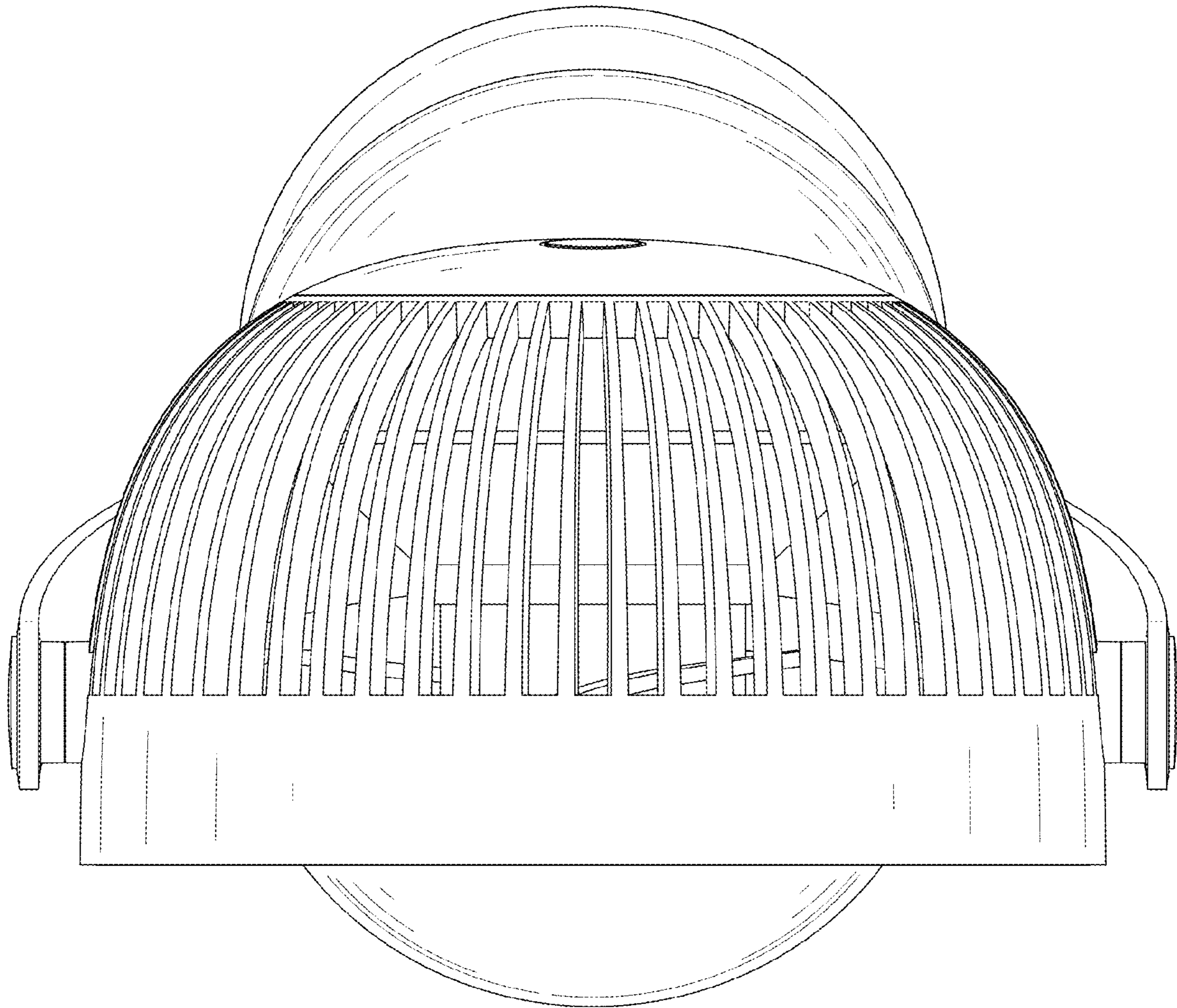


FIG. 8

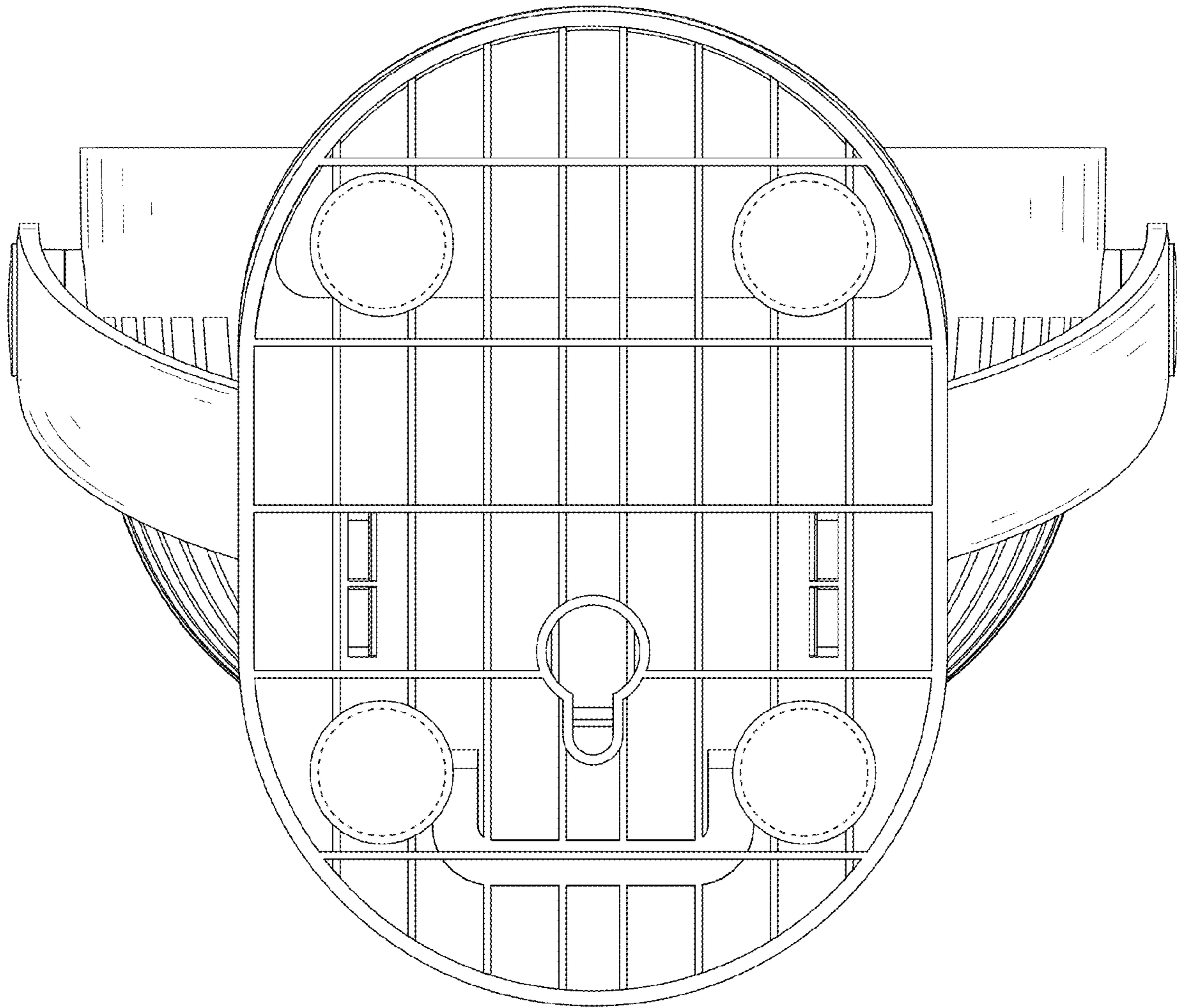


FIG. 9