



US00D961063S

(12) **United States Design Patent** (10) **Patent No.:** **US D961,063 S**  
**Li** (45) **Date of Patent:** **\*\* Aug. 16, 2022**

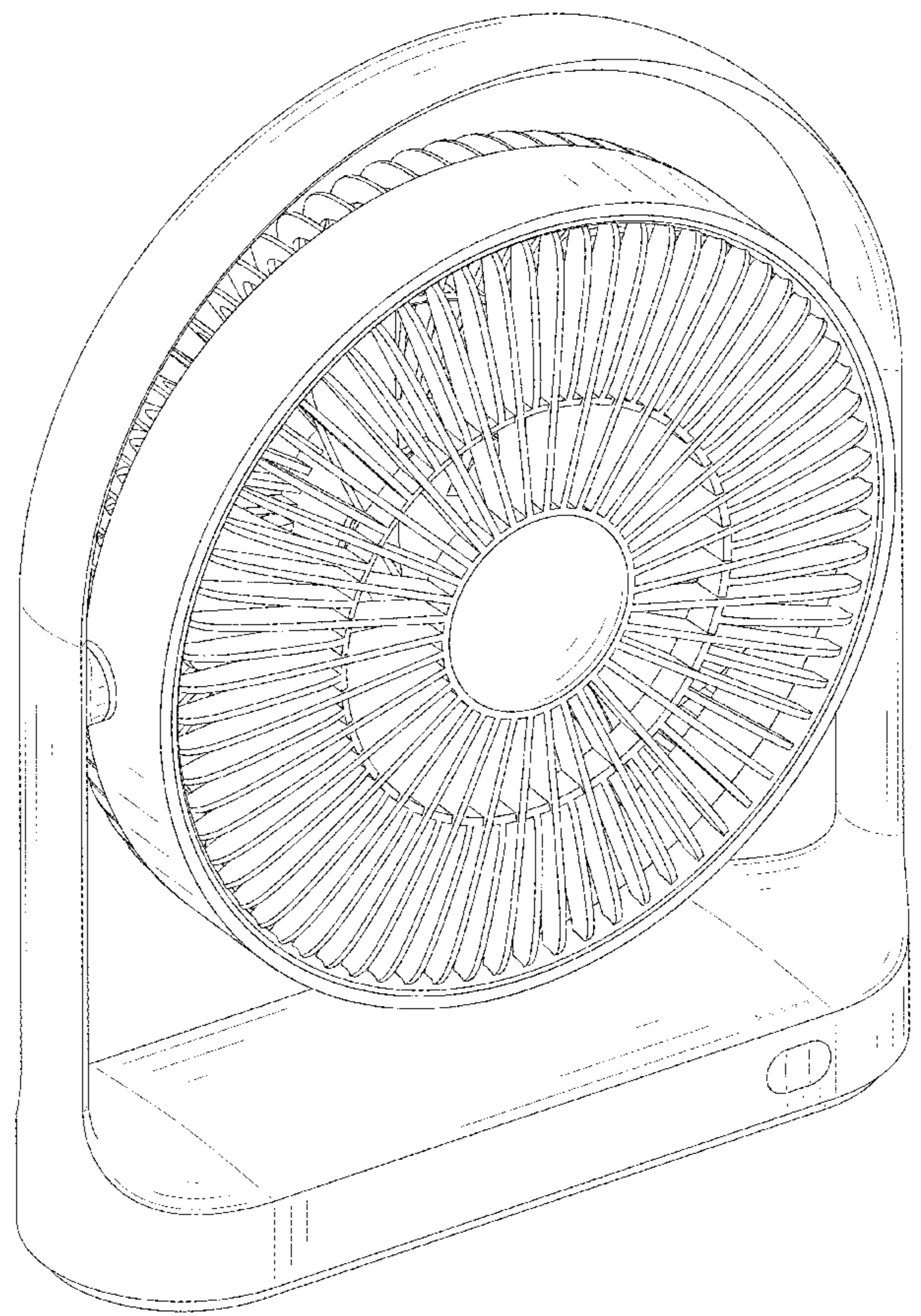
(54) **FAN**  
(71) Applicant: **SHENZHEN JISU TECHNOLOGY CO., LTD**, Shenzhen (CN)  
(72) Inventor: **Xiangfu Li**, Shenzhen (CN)  
(73) Assignee: **SHENZHEN JISU TECHNOLOGY CO., LTD**, Shenzhen (CN)  
(\*\*) Term: **15 Years**  
(21) Appl. No.: **29/761,367**  
(22) Filed: **Dec. 9, 2020**  
(30) **Foreign Application Priority Data**  
Aug. 25, 2020 (CN) ..... 202030491646.0  
(51) **LOC (13) Cl.** ..... **23-04**  
(52) **U.S. Cl.**  
USPC ..... **D23/382**  
(58) **Field of Classification Search**  
USPC ..... D23/328, 332-337, 341, 351, 352, 355,  
D23/356, 364, 370, 378, 381-383,  
D23/386-390, 411-412  
CPC .... F04D 25/0673; F04D 25/08; F04D 25/084;  
F04D 25/086; F04D 29/4226  
See application file for complete search history.

(56) **References Cited**  
U.S. PATENT DOCUMENTS  
5,829,956 A \* 11/1998 Chen ..... F01D 5/141  
416/175  
D421,114 S \* 2/2000 Lozzio ..... D23/370  
D444,871 S \* 7/2001 Wilson, Jr. .... D23/382  
D621,025 S \* 8/2010 Peterson ..... D23/382  
D940,294 S \* 1/2022 Park ..... D23/382  
D943,729 S \* 2/2022 Ma ..... D23/333  
\* cited by examiner  
*Primary Examiner* — Sharon S Oum

(57) **CLAIM**  
The ornamental design for a fan, as shown and described.

**DESCRIPTION**  
FIG. 1 is a perspective view of a fan showing my new design;  
FIG. 2 is another perspective view thereof;  
FIG. 3 is a front elevational view thereof;  
FIG. 4 is a rear elevational view thereof;  
FIG. 5 is a left side elevational view thereof;  
FIG. 6 is a right side elevational view thereof;  
FIG. 7 is a top plan view thereof; and,  
FIG. 8 is a bottom plan view thereof.  
The broken lines in the drawings depict portions of the fan that form no part of the claimed design.

**1 Claim, 8 Drawing Sheets**



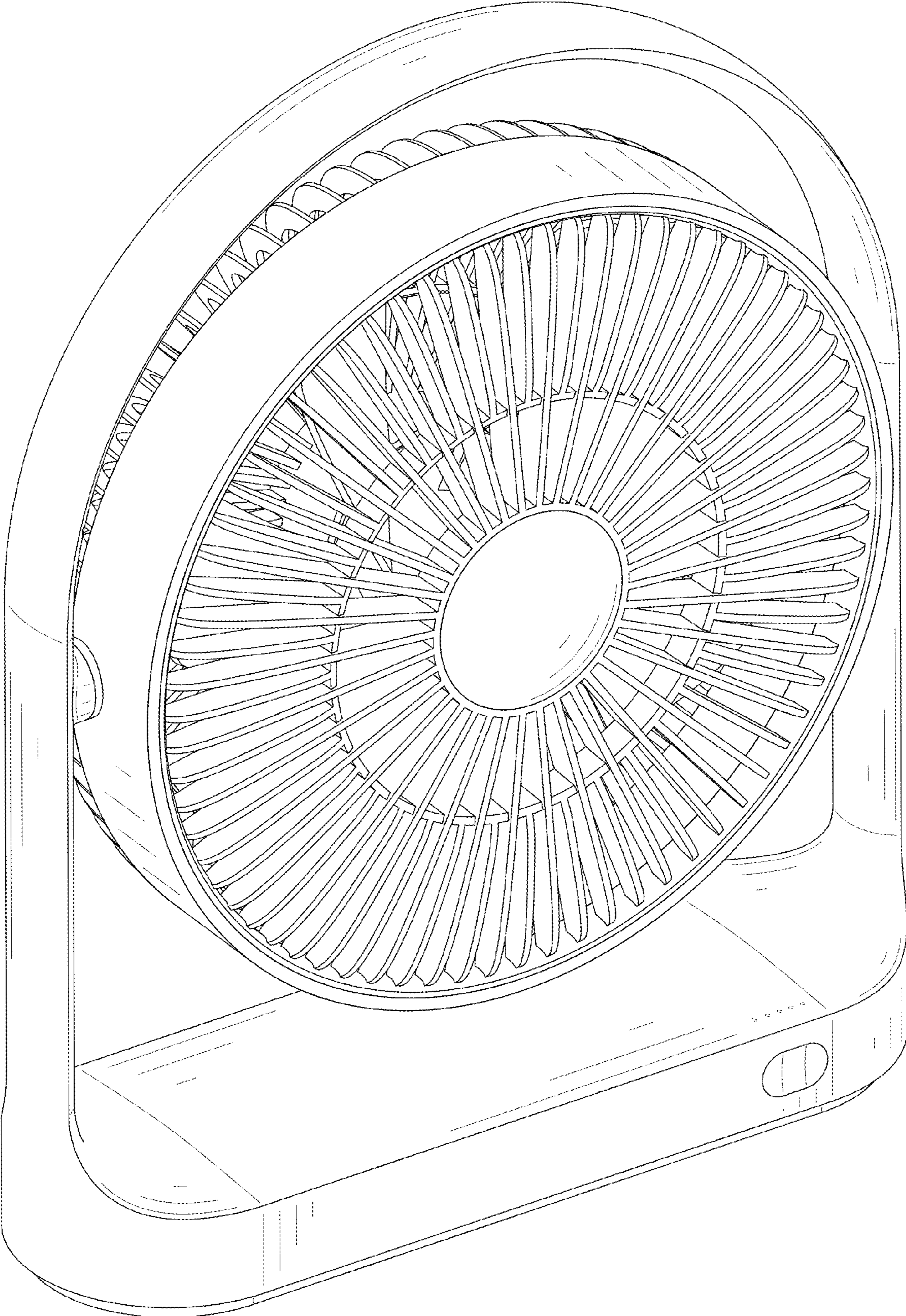


FIG. 1

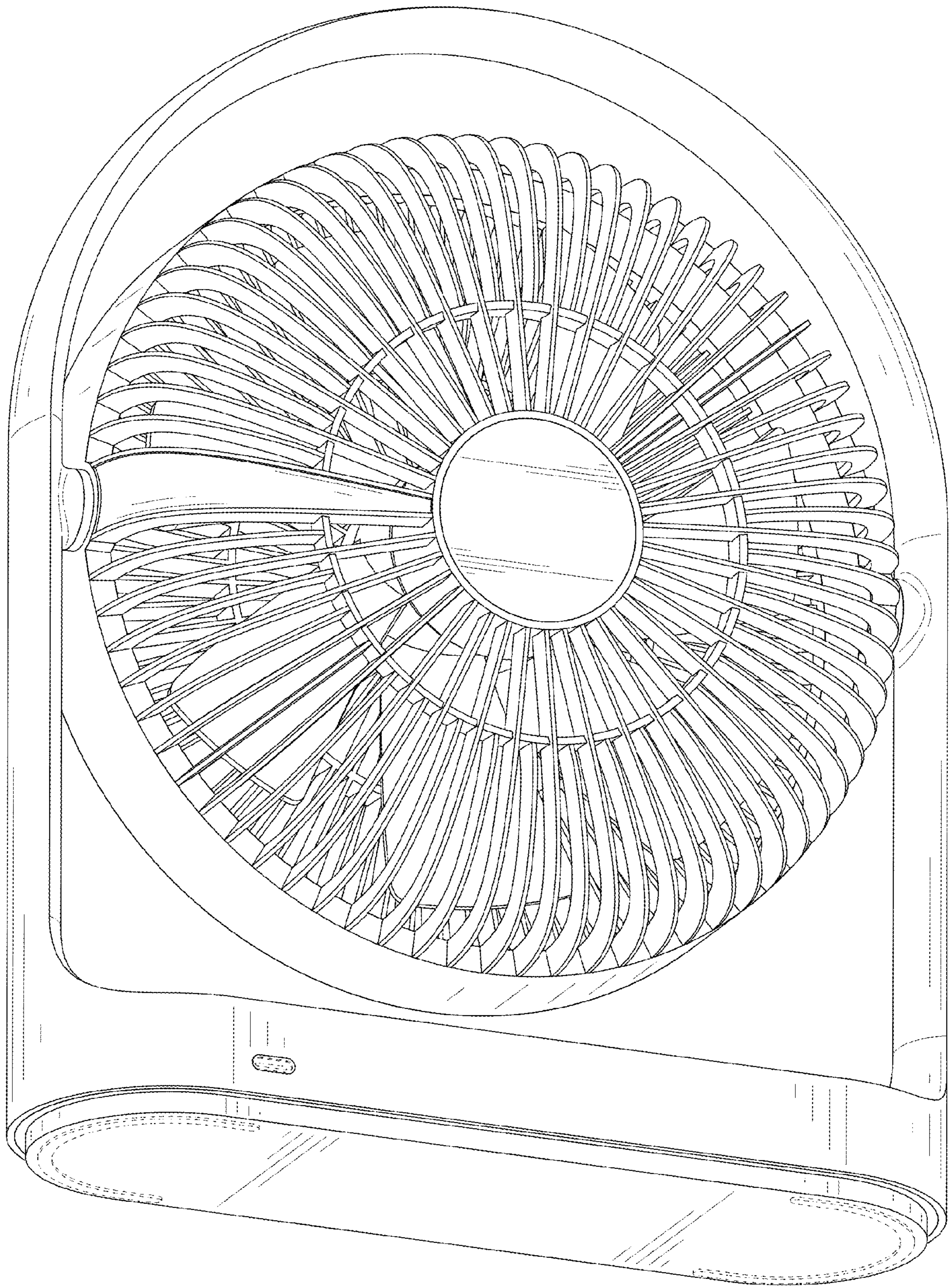


FIG. 2

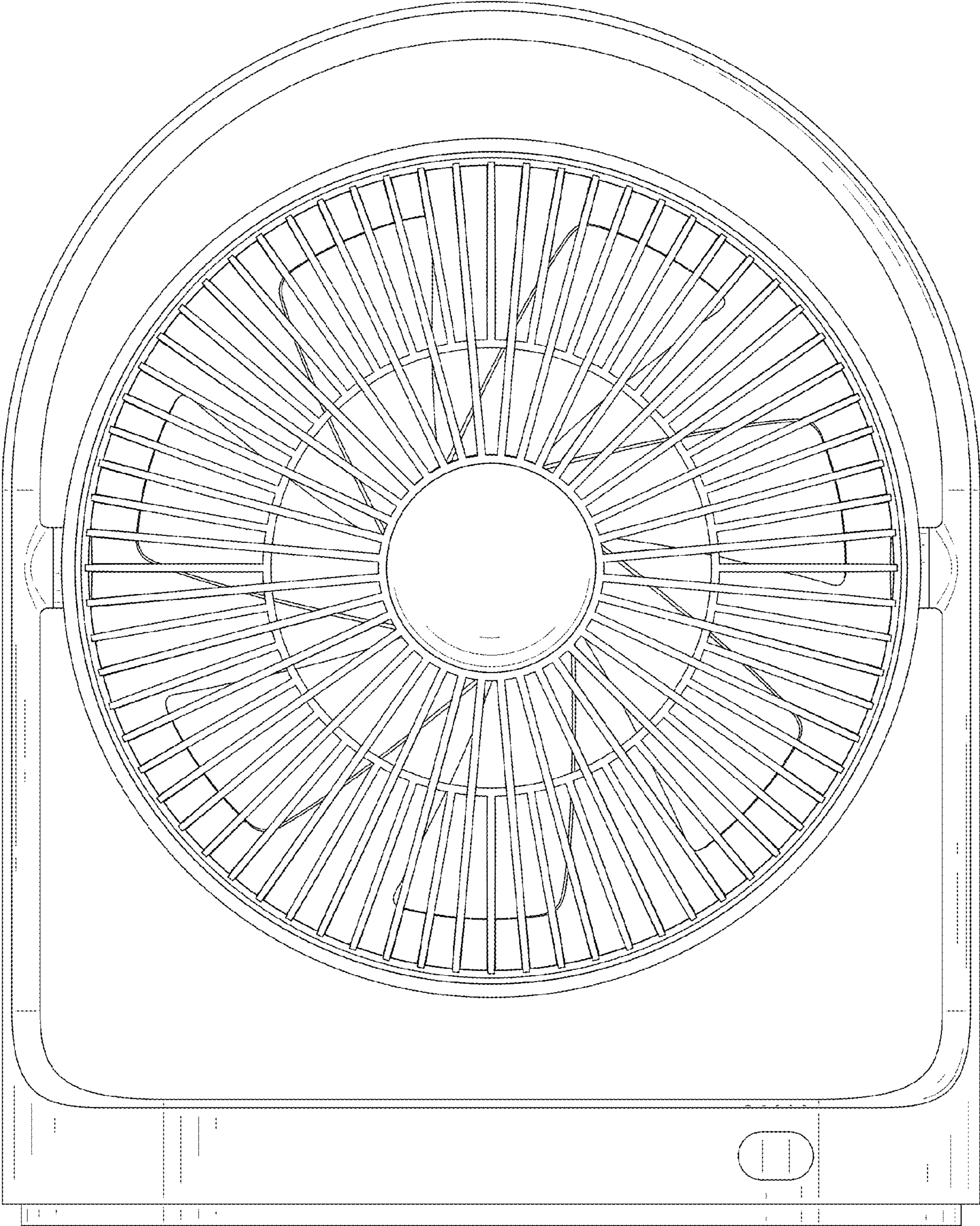


FIG. 3

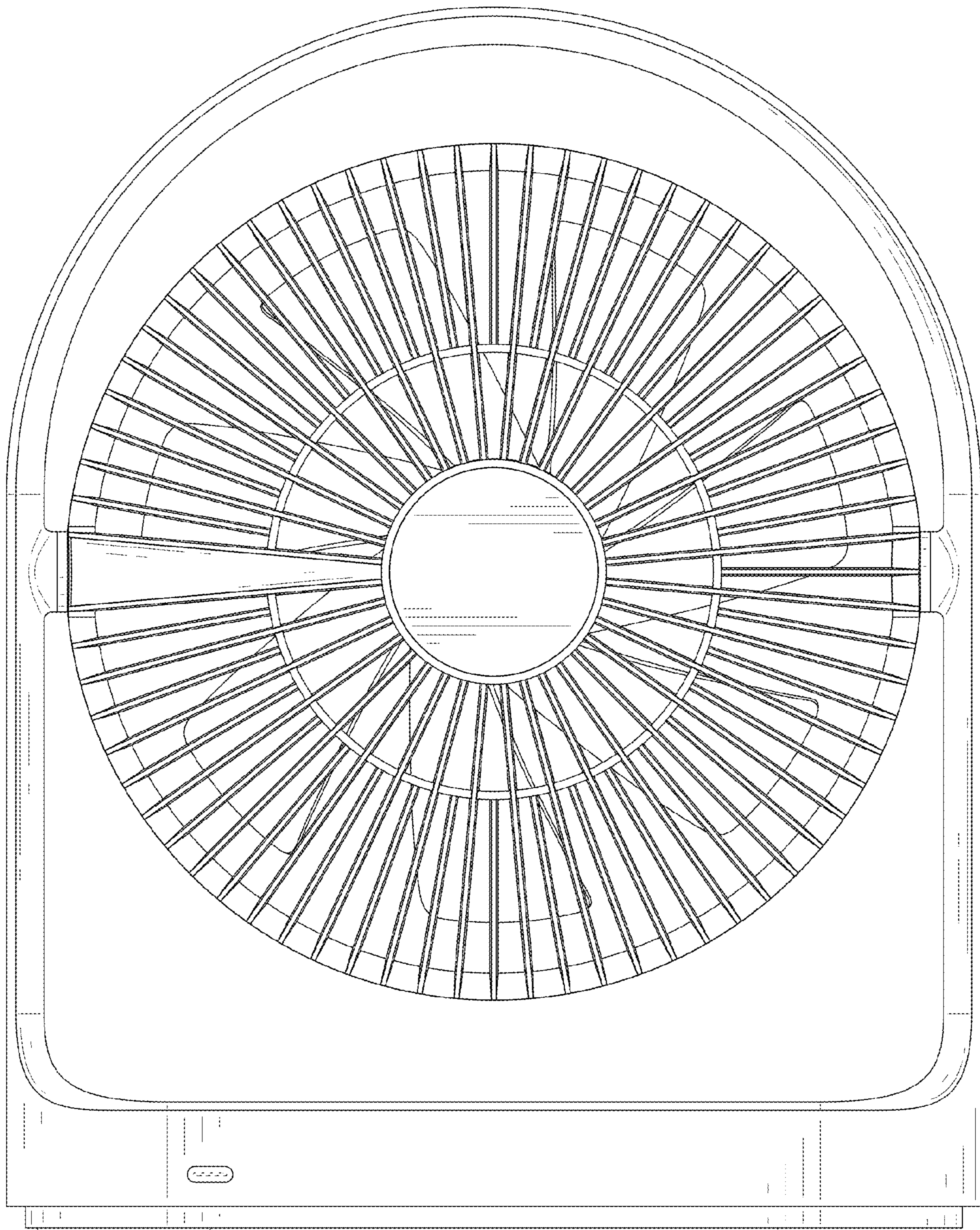


FIG. 4

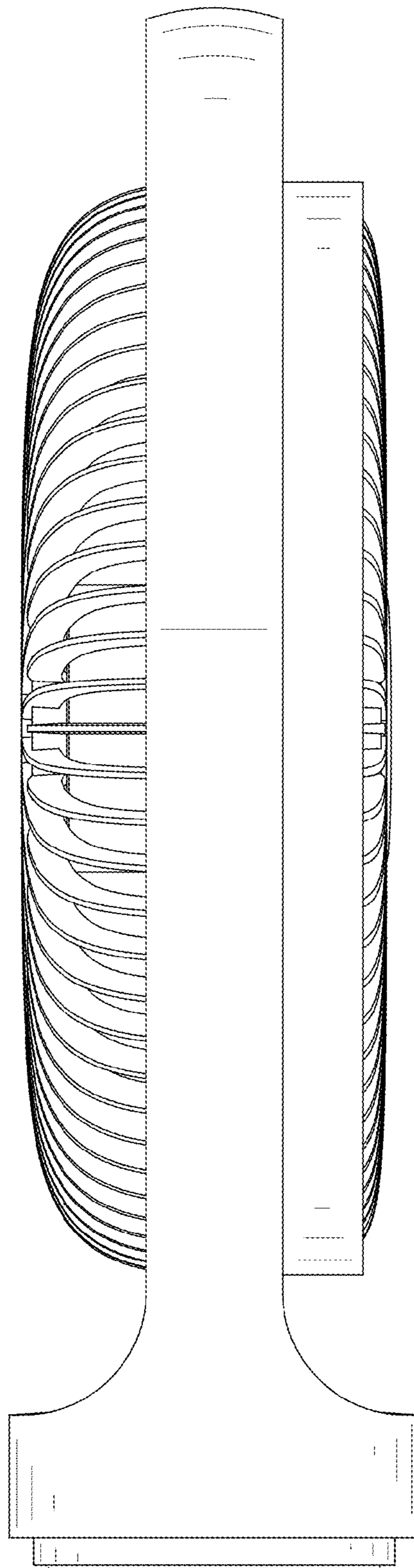


FIG. 5

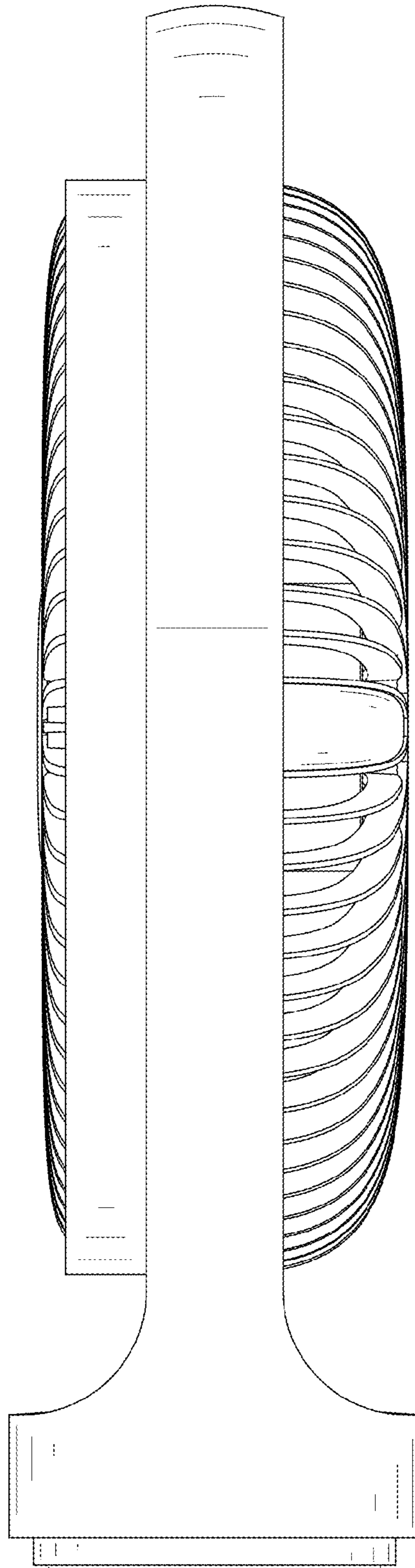


FIG. 6

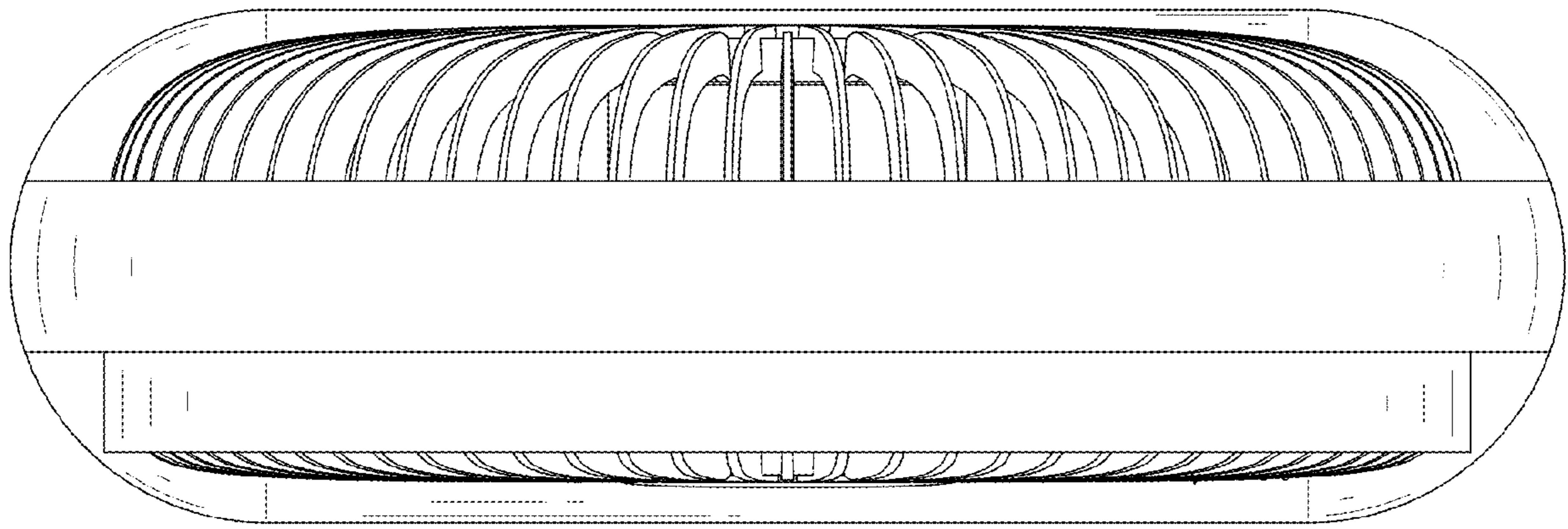


FIG. 7



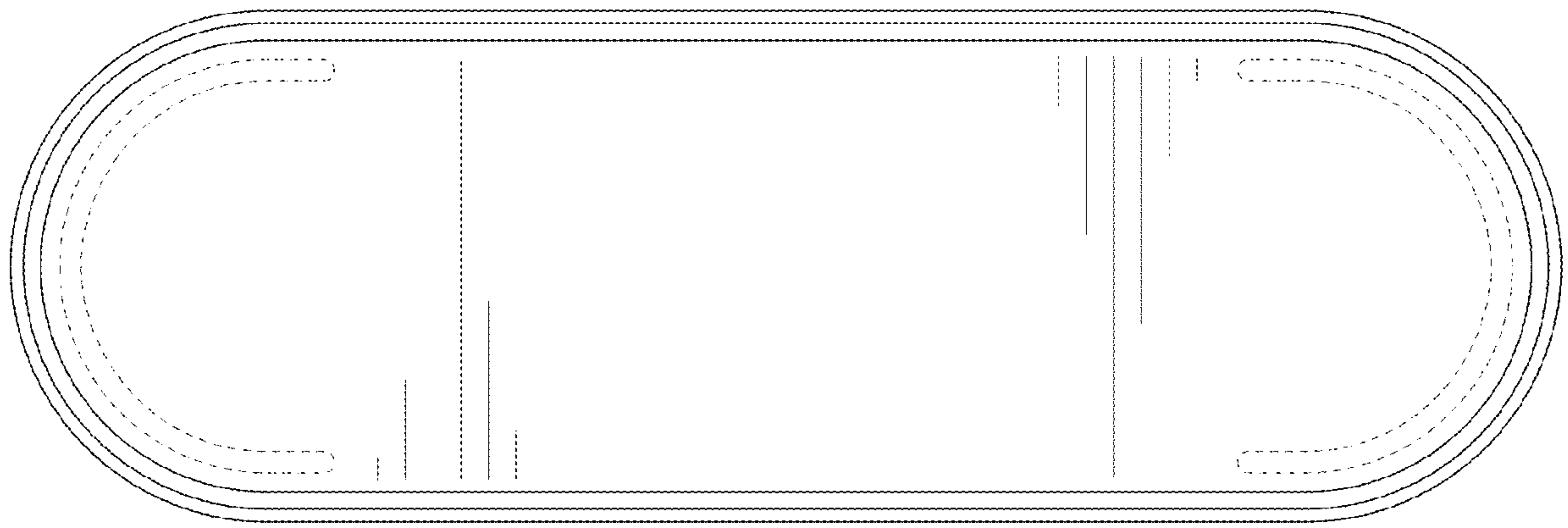


FIG. 8