



US00D961062S

(12) **United States Design Patent** (10) **Patent No.:** **US D961,062 S**  
**Ying** (45) **Date of Patent:** **\*\* Aug. 16, 2022**

(54) **BLADELESS FAN**  
(71) Applicant: **Qiaoyu Ying**, Zhejiang (CN)  
(72) Inventor: **Qiaoyu Ying**, Zhejiang (CN)  
(\*\*) Term: **15 Years**  
(21) Appl. No.: **29/732,411**  
(22) Filed: **Apr. 24, 2020**

D930,140 S \* 9/2021 Fu ..... D23/370  
D939,072 S \* 12/2021 Fu ..... D23/370  
D942,606 S \* 2/2022 Fu ..... D23/370

(30) **Foreign Application Priority Data**

Oct. 25, 2019 (CN) ..... 201930584805.9

(51) **LOC (13) Cl.** ..... **23-04**

(52) **U.S. Cl.**  
USPC ..... **D23/378**

(58) **Field of Classification Search**  
USPC ..... D23/332, 333, 335-337, 342, 351, 352,  
D23/355-362, 364-366, 370, 378, 381,  
D23/383

CPC ..... F04D 25/08; F04D 29/38; F04D 29/384;  
F04D 29/386; F04D 29/48; F04D 17/04;  
F04D 25/10; F24H 3/0417

See application file for complete search history.

(56) **References Cited**

**U.S. PATENT DOCUMENTS**

D728,769 S \* 5/2015 Dyson ..... D23/370  
D888,219 S \* 6/2020 Peet ..... D23/370  
D888,927 S \* 6/2020 Hodgson ..... D23/370  
D895,782 S \* 9/2020 Ying ..... D23/378  
D909,557 S \* 2/2021 Jeon ..... D23/364  
D923,767 S \* 6/2021 Oram ..... D23/356

**OTHER PUBLICATIONS**

ULTTY Bladeless Tower Fan and Air Purifier in one, first available Apr. 24, 2020, site visited Sep. 10, 2021, available from internet, <[https://www.amazon.com/ULTTY-Purifier-Standing-Control-Oscillating/dp/B087LTQJF8/ref=sr\\_1\\_21?dchild=1&keywords=Bladeless%2BTower%2BFan%2BAir%2BPurifier%2BWith%2BHumidifier%2BHEPA%2BFilter%2Bcrossbow&qid=1631303826&sr=8-21&th=1](https://www.amazon.com/ULTTY-Purifier-Standing-Control-Oscillating/dp/B087LTQJF8/ref=sr_1_21?dchild=1&keywords=Bladeless%2BTower%2BFan%2BAir%2BPurifier%2BWith%2BHumidifier%2BHEPA%2BFilter%2Bcrossbow&qid=1631303826&sr=8-21&th=1)>.\*

\* cited by examiner

*Primary Examiner* — Sharon S Oum

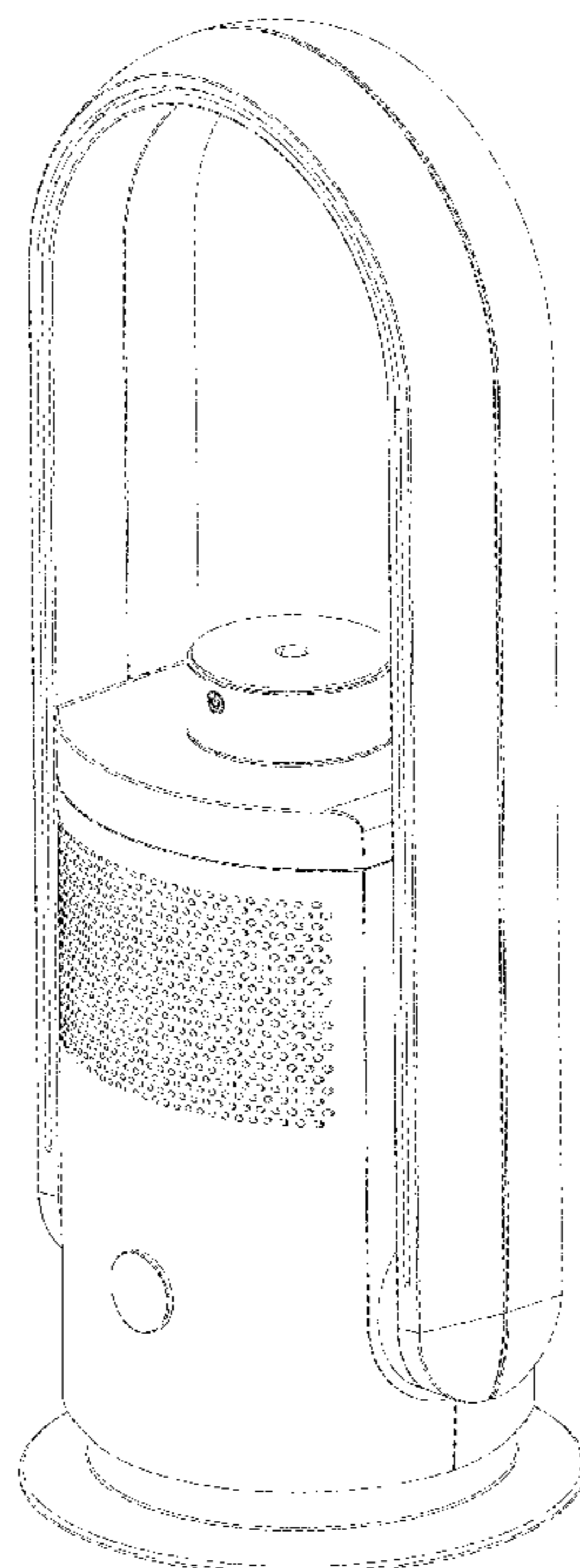
(57) **CLAIM**

The ornamental design for a bladeless fan, as shown and described.

**DESCRIPTION**

FIG. 1 is a front elevational view of a bladeless fan showing my new design;  
FIG. 2 is a rear elevational view thereof;  
FIG. 3 is a left side view thereof;  
FIG. 4 is a right side view thereof;  
FIG. 5 is a top plan view thereof;  
FIG. 6 is a bottom plan view thereof;  
FIG. 7 is a perspective view thereof;  
FIG. 8 is a second perspective view thereof; and,  
FIG. 9 is a third perspective view thereof.  
The broken lines illustrate portions of the bladeless fan that form no part of the claimed design.

**1 Claim, 8 Drawing Sheets**



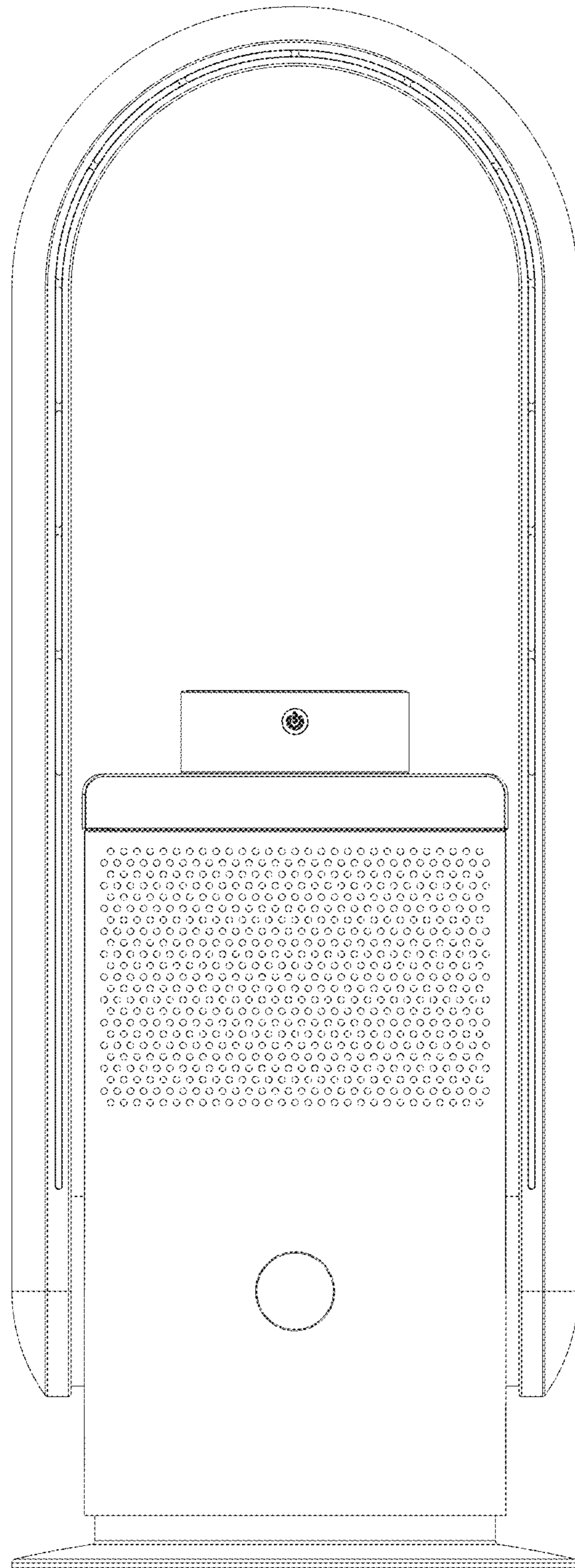


FIG. 1

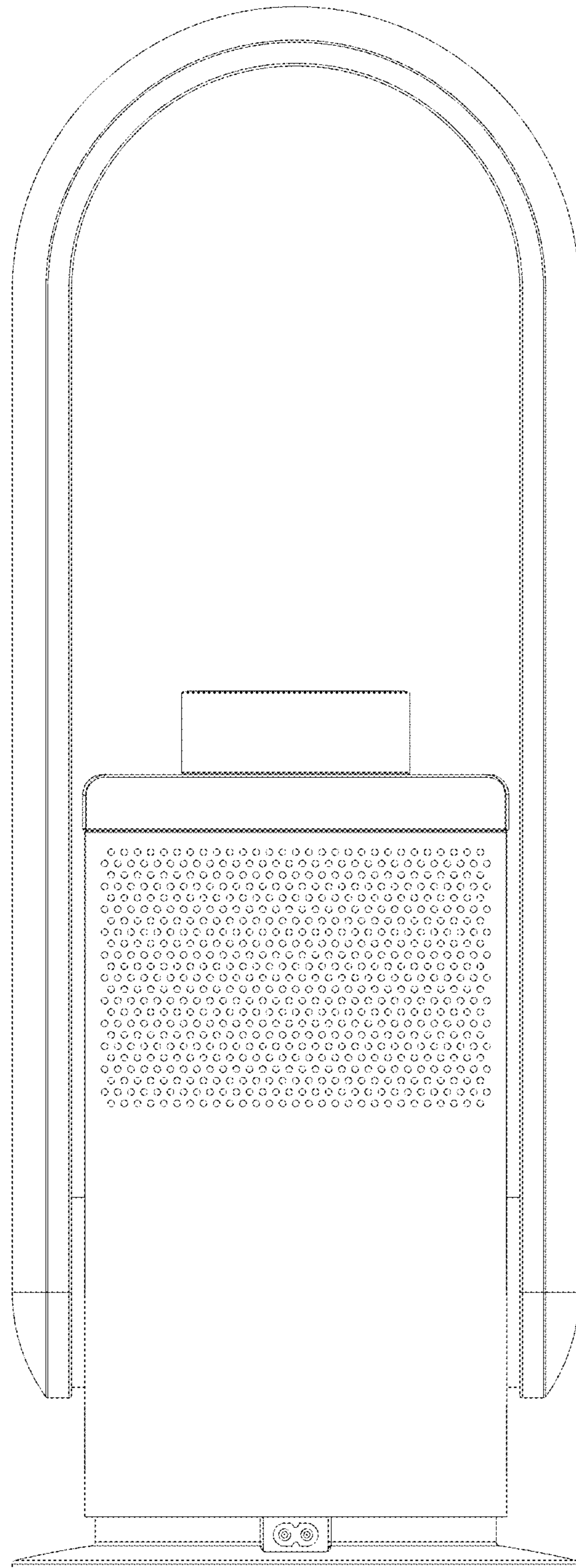


FIG. 2

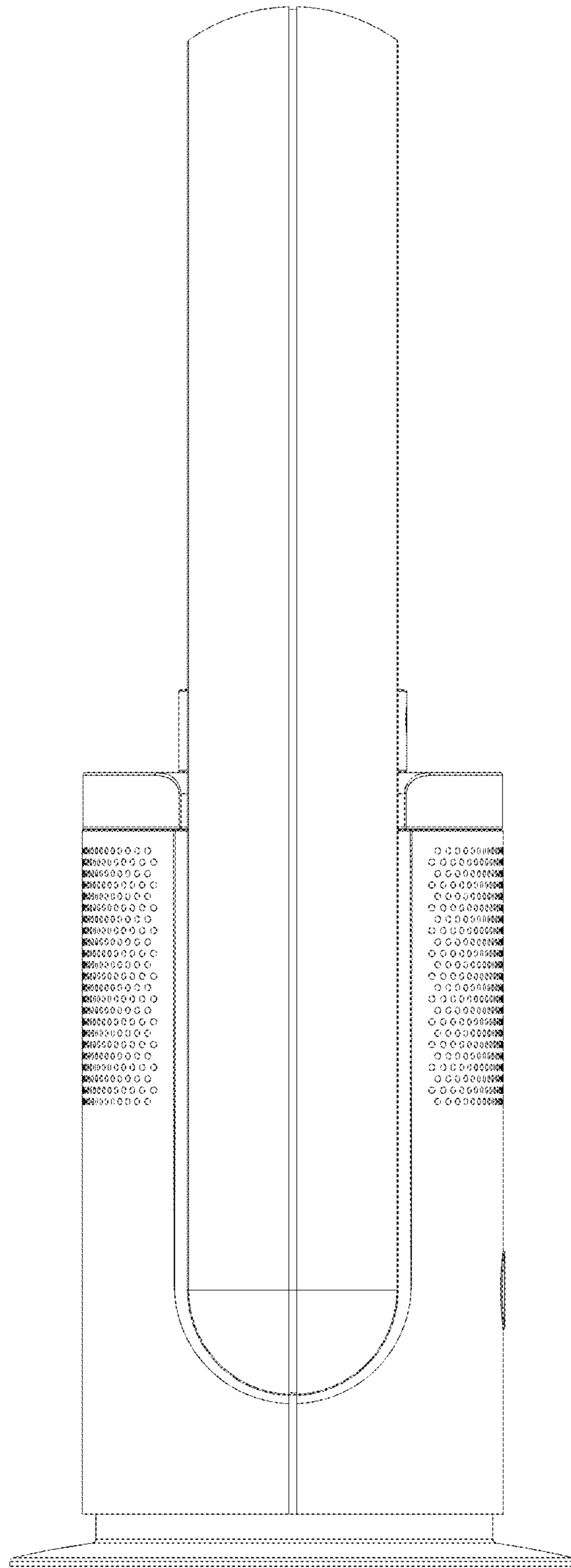


FIG. 3

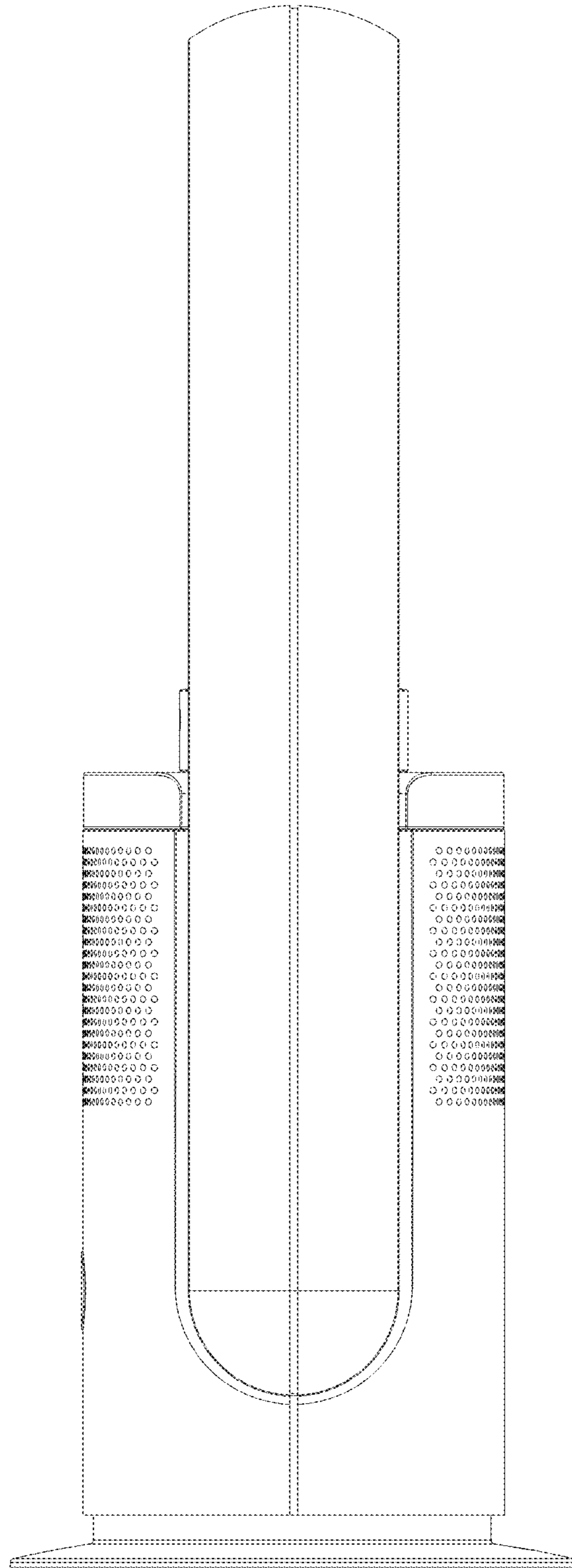


FIG. 4

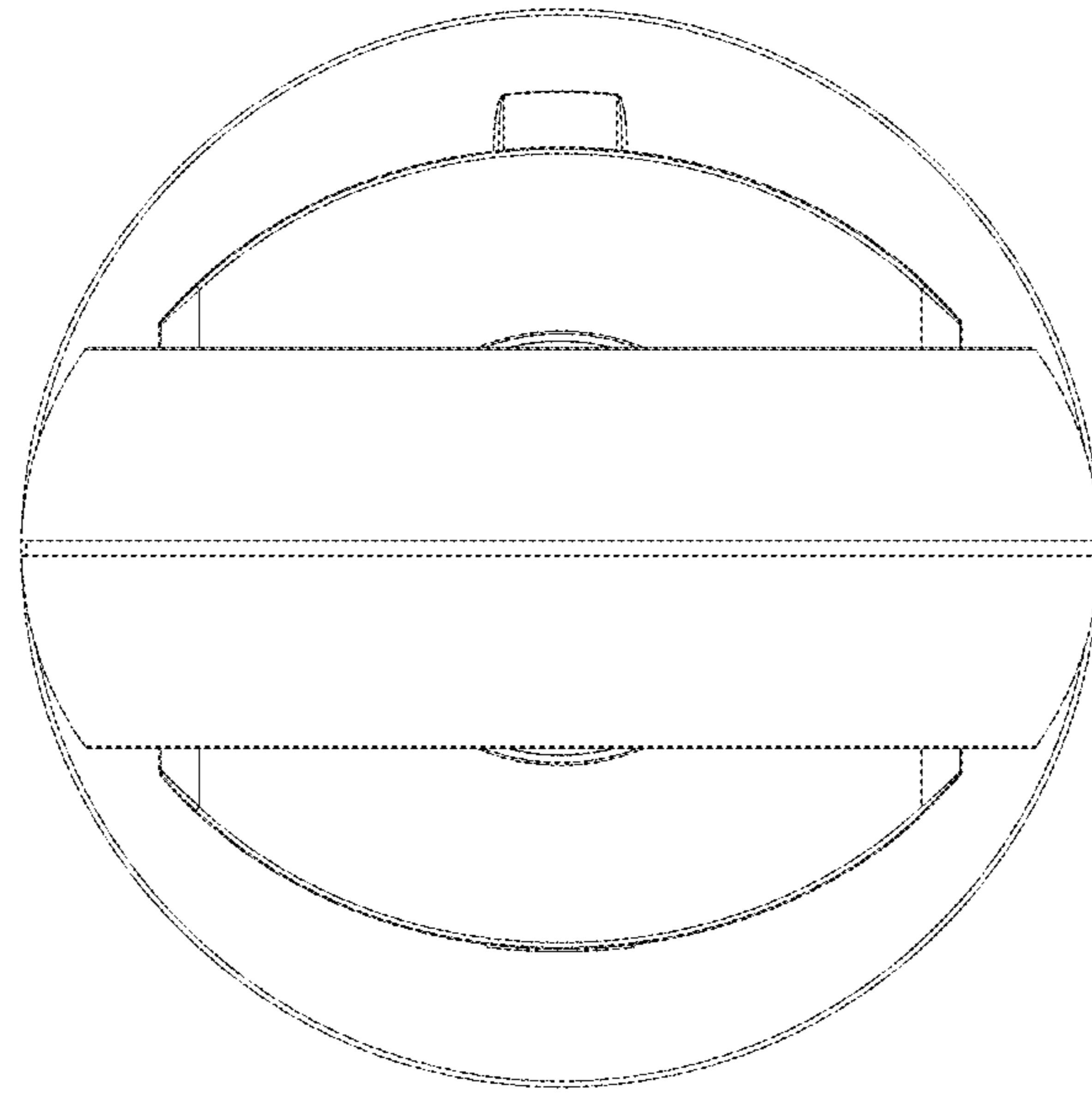


FIG. 5

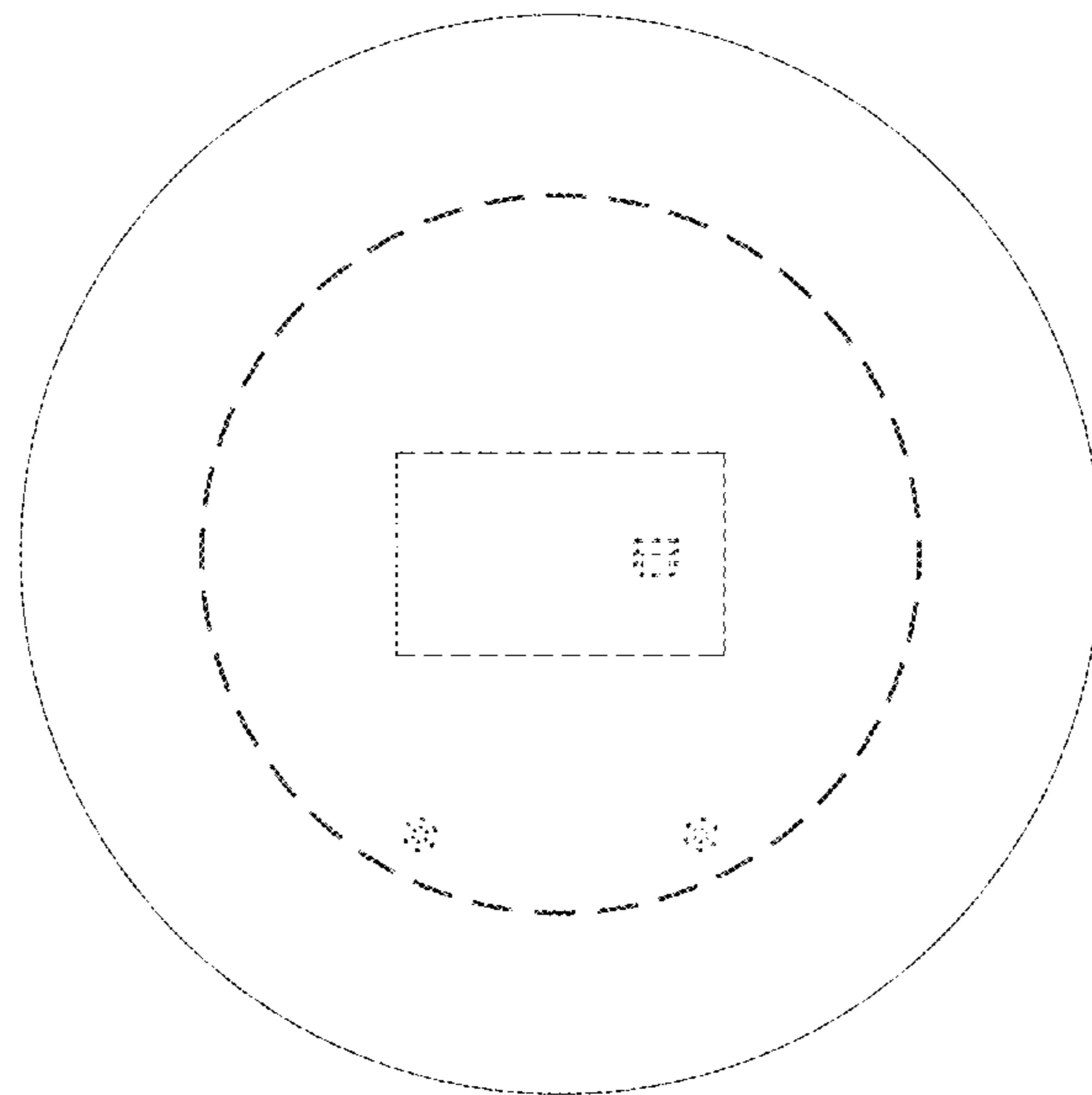


FIG. 6

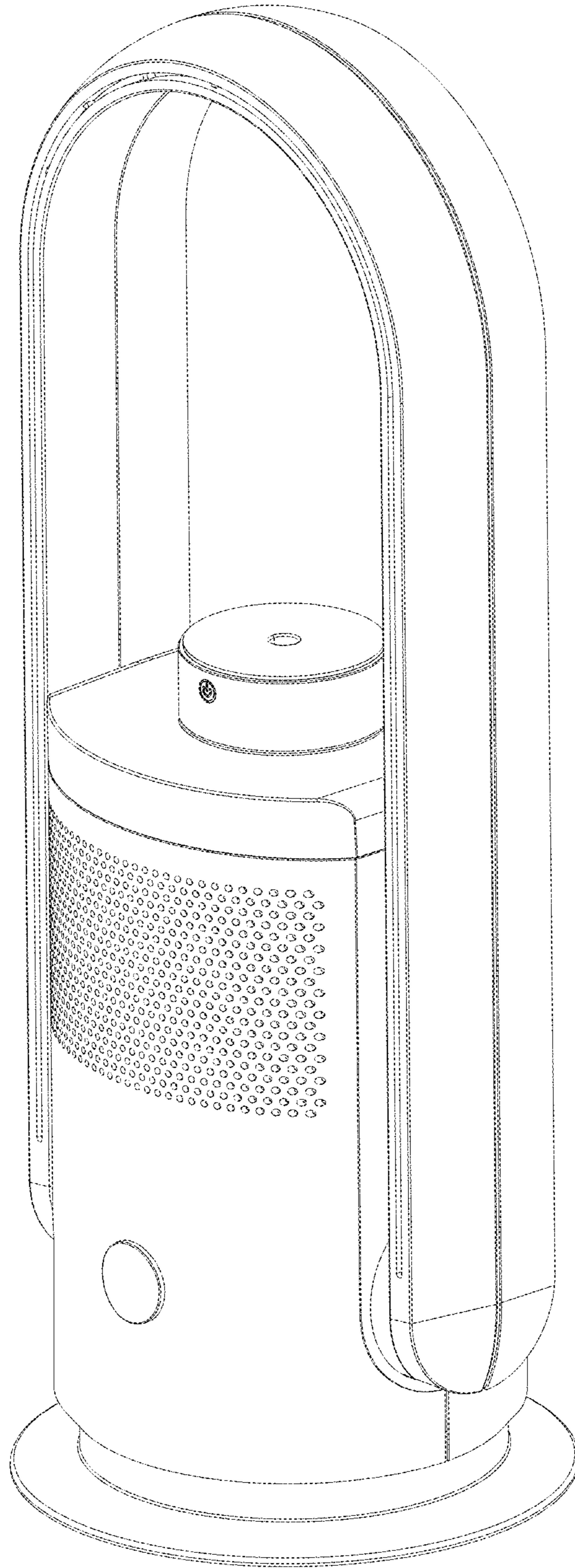


FIG. 7

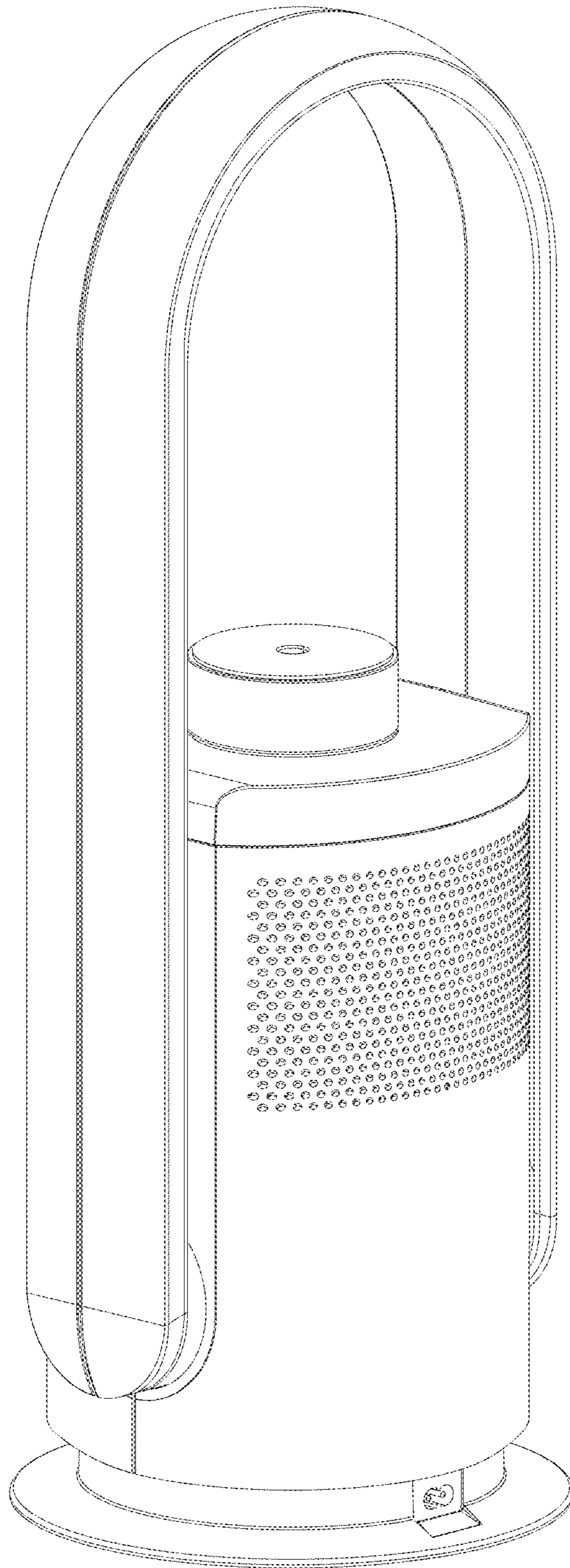


FIG. 8



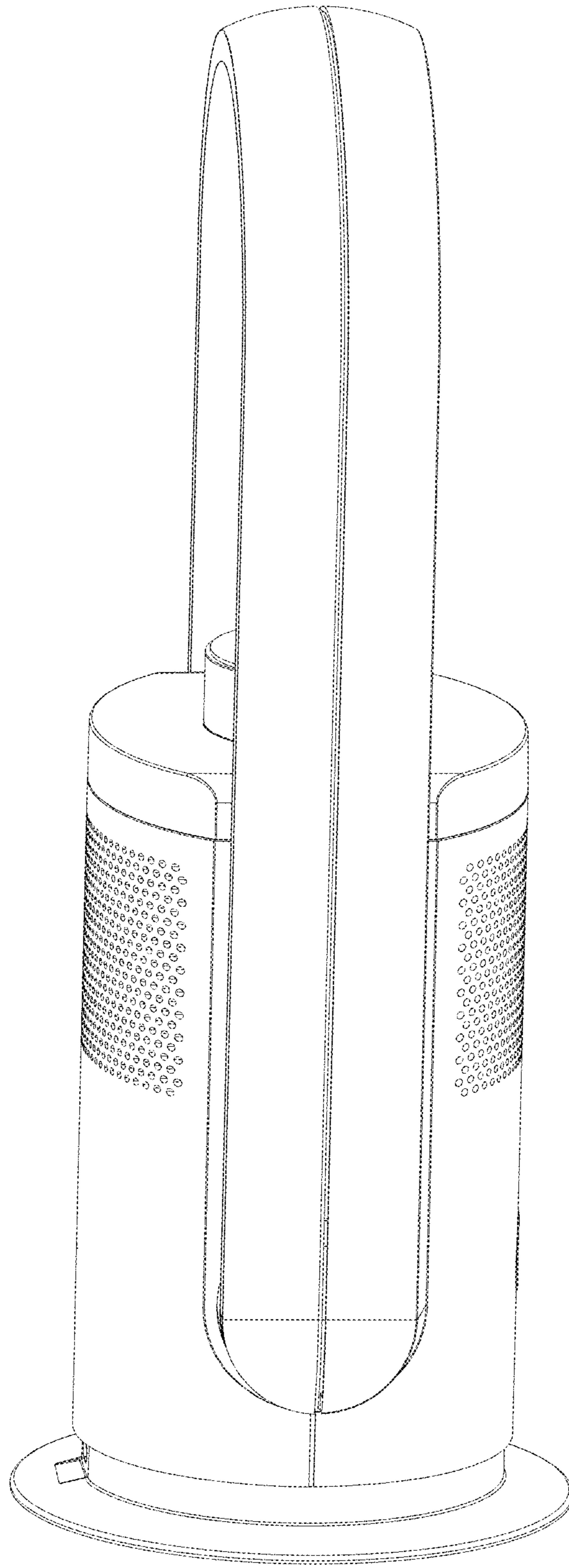


FIG. 9