



US00D961059S

(12) **United States Design Patent**  
**Lappe et al.**

(10) **Patent No.:** **US D961,059 S**

(45) **Date of Patent:** **\*\* Aug. 16, 2022**

(54) **ROOM HUMIDIFIER**

(71) Applicant: **Hyku Home Inc**, Great Neck, NY (US)

(72) Inventors: **Lucas Lappe**, New York, NY (US);  
**Justin Seidenfeld**, Great Neck, NY  
(US); **Aaron Saxton**, New York, NY  
(US)

(\*\*) Term: **15 Years**

(21) Appl. No.: **29/753,050**

(22) Filed: **Sep. 29, 2020**

(51) **LOC (13) Cl.** ..... **23-04**

(52) **U.S. Cl.**  
USPC ..... **D23/356**

(58) **Field of Classification Search**  
USPC ..... D23/355–366, 352, 369, 332, 333, 335,  
D23/336, 342, 351; 422/120, 122;  
55/356, 473, 504; 96/97; 261/DIG. 17,  
261/DIG. 65, DIG. 88, DIG. 31  
CPC .. A61L 9/16; A61L 9/22; B01D 47/00; B01D  
47/027; B01D 2221/02; B01D 2259/4508;  
B03C 3/155; B03C 3/368; F24F 3/16;  
F24F 13/20; F24F 13/28  
See application file for complete search history.

(56) **References Cited**

U.S. PATENT DOCUMENTS

6,945,519 B2 9/2005 Parker et al.  
8,940,085 B2 1/2015 Markham et al.  
9,482,440 B2 11/2016 Markham et al.  
9,732,969 B2 8/2017 Lee et al.  
D801,503 S \* 10/2017 Reed ..... D23/356

10,082,302 B2 \* 9/2018 Yoon ..... F24F 1/0358  
D898,175 S \* 10/2020 Liu ..... D23/356  
D898,886 S \* 10/2020 Israel ..... D23/356  
D899,571 S \* 10/2020 Li ..... D23/359  
10,823,434 B2 \* 11/2020 Shin ..... F24F 1/02  
D919,780 S \* 5/2021 Li ..... D23/359  
11,077,399 B2 \* 8/2021 Choi ..... B01D 53/265  
D933,183 S \* 10/2021 Leyden ..... D23/366  
D935,585 S \* 11/2021 Tokoi ..... D23/356  
D936,197 S \* 11/2021 Wang ..... D23/359  
2020/0003451 A1 \* 1/2020 Yoon ..... F24F 13/10  
2020/0061532 A1 \* 2/2020 Yoon ..... F24F 1/0083

\* cited by examiner

*Primary Examiner* — David G Muller

(74) *Attorney, Agent, or Firm* — Patent GC LLC;  
Alexander Franco

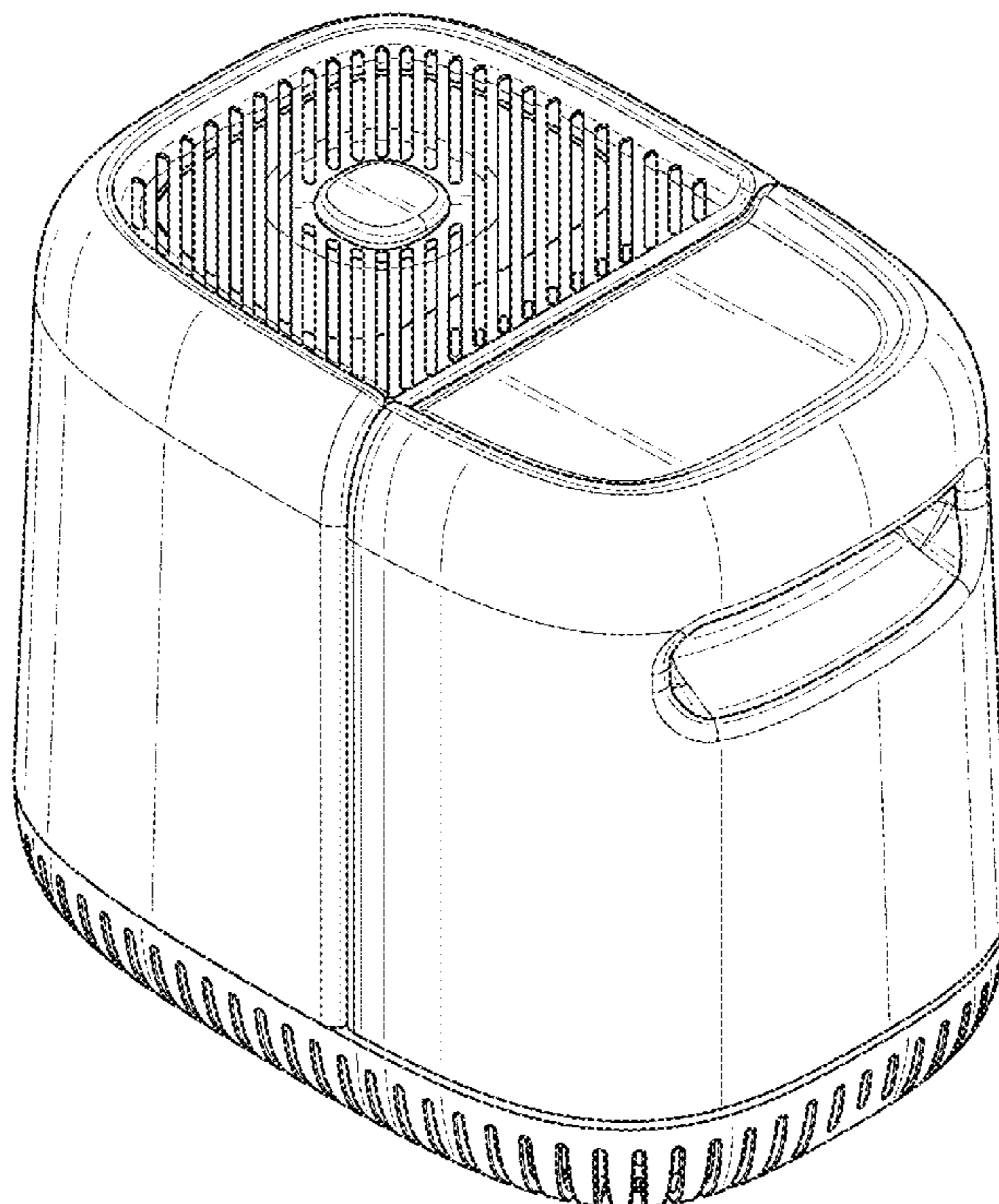
(57) **CLAIM**

The ornamental design for a room humidifier, as shown and described.

**DESCRIPTION**

FIG. 1 illustrates a perspective view of a room humidifier.  
FIG. 2 illustrates a front view of thereof.  
FIG. 3 illustrates a back view thereof.  
FIG. 4 illustrates a left side view thereof.  
FIG. 5 illustrates a right side view thereof.  
FIG. 6 illustrates a top view thereof; and,  
FIG. 7 illustrates a bottom view thereof.  
In the drawings, short-medium dashed broken lines define the bounds of the claimed design and form no part of the claimed design. Short-short dashed broken lines show disclaimed features that form no part of the claimed design.

**1 Claim, 7 Drawing Sheets**



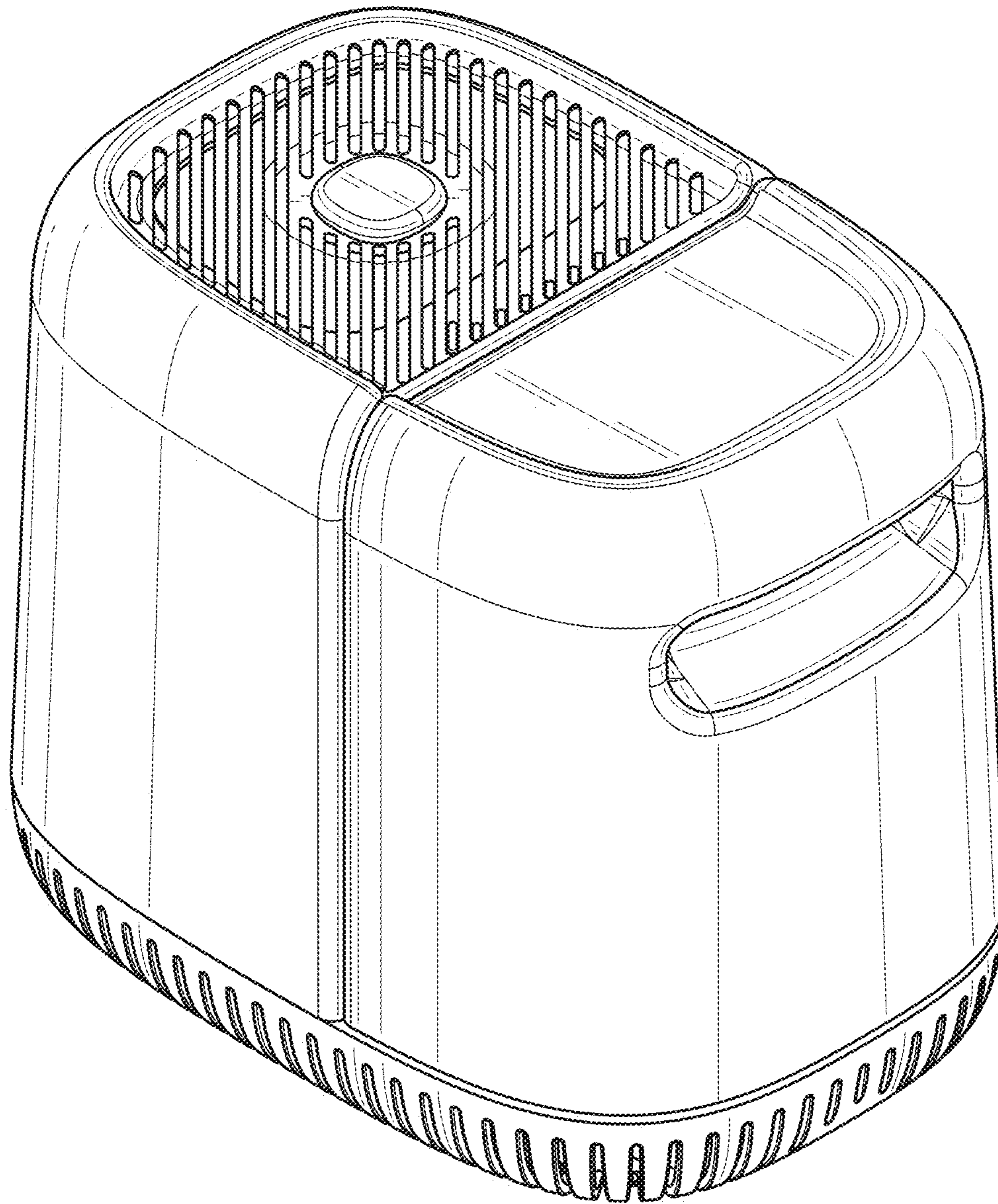


FIG. 1

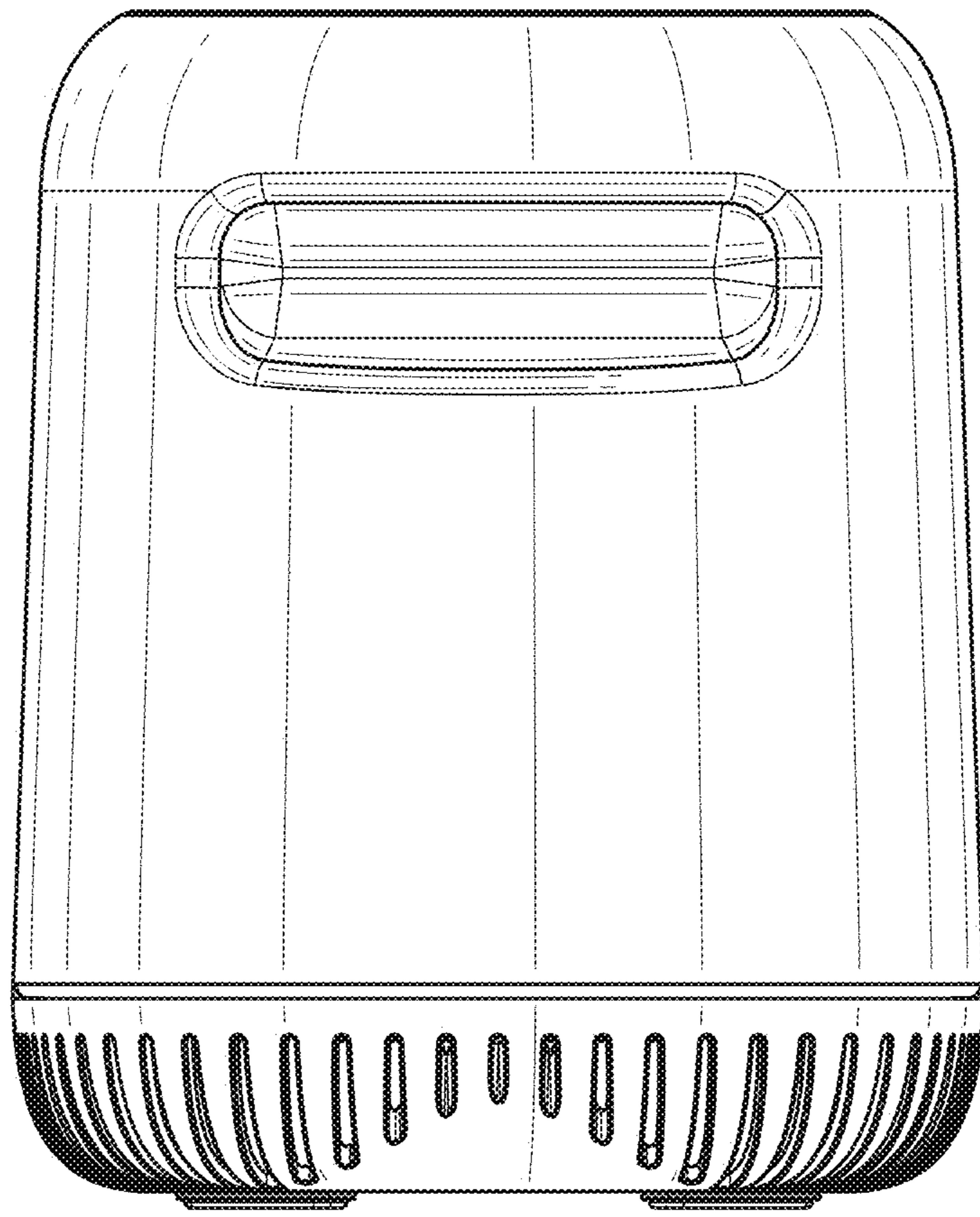


FIG. 2

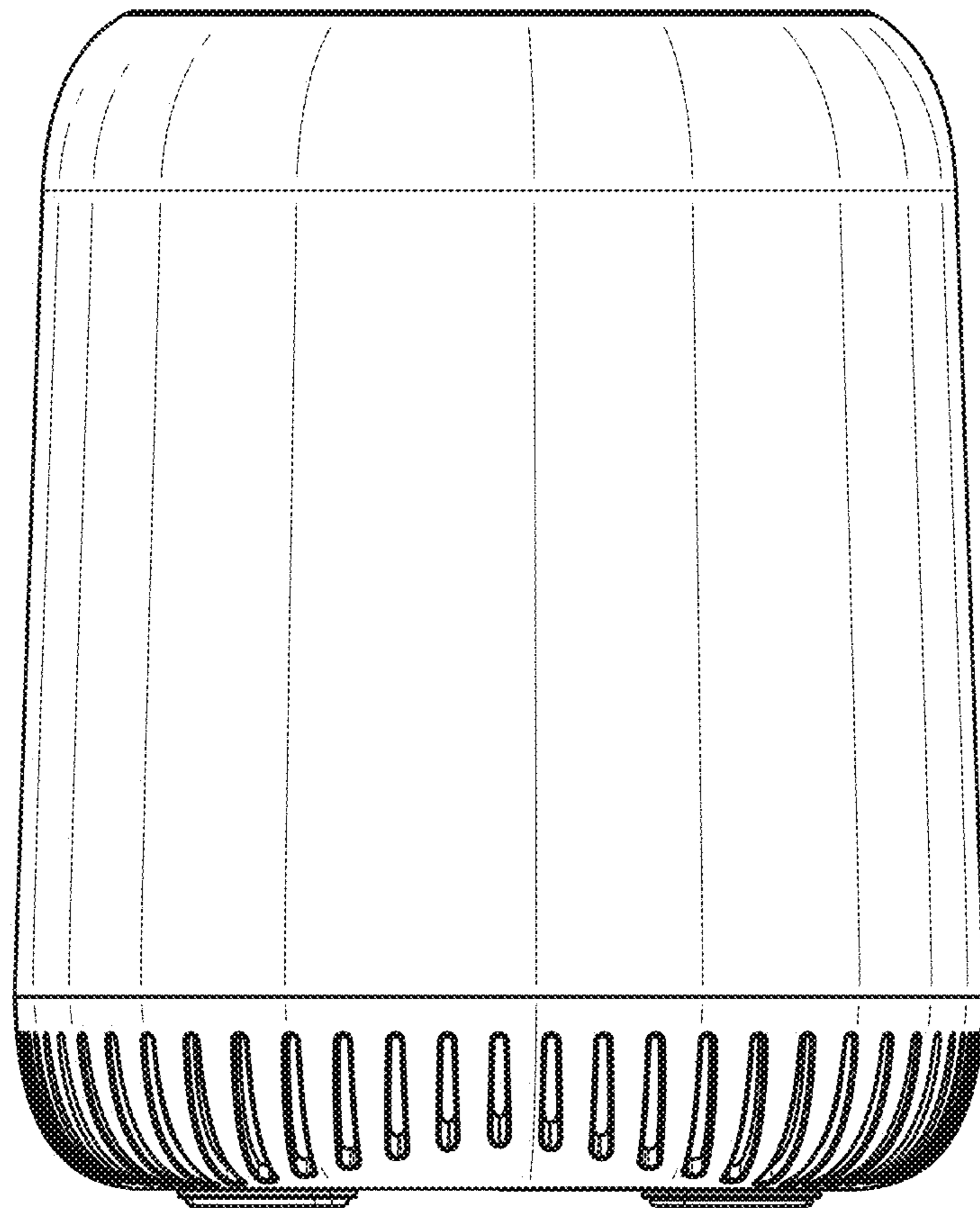


FIG. 3

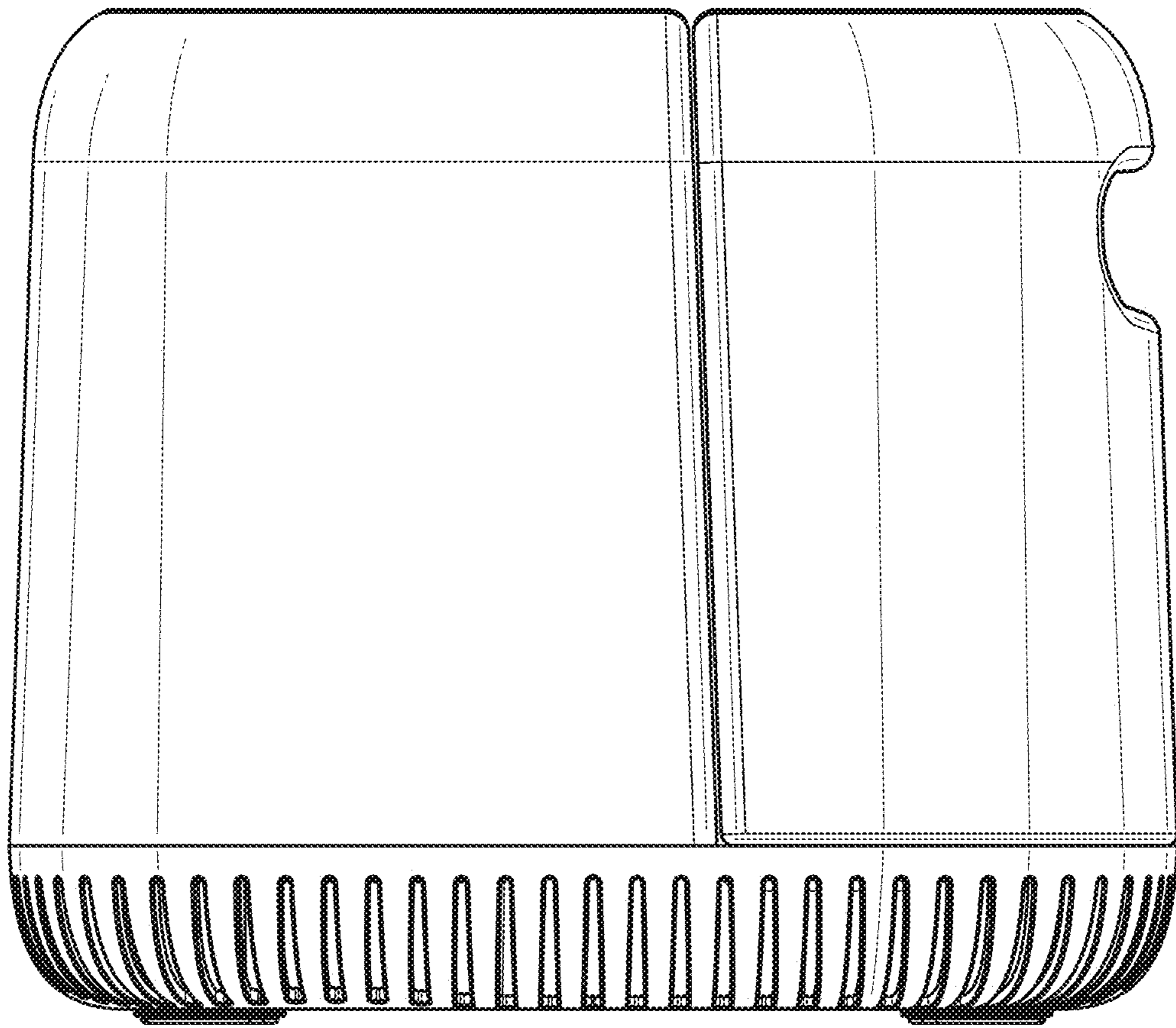


FIG. 4

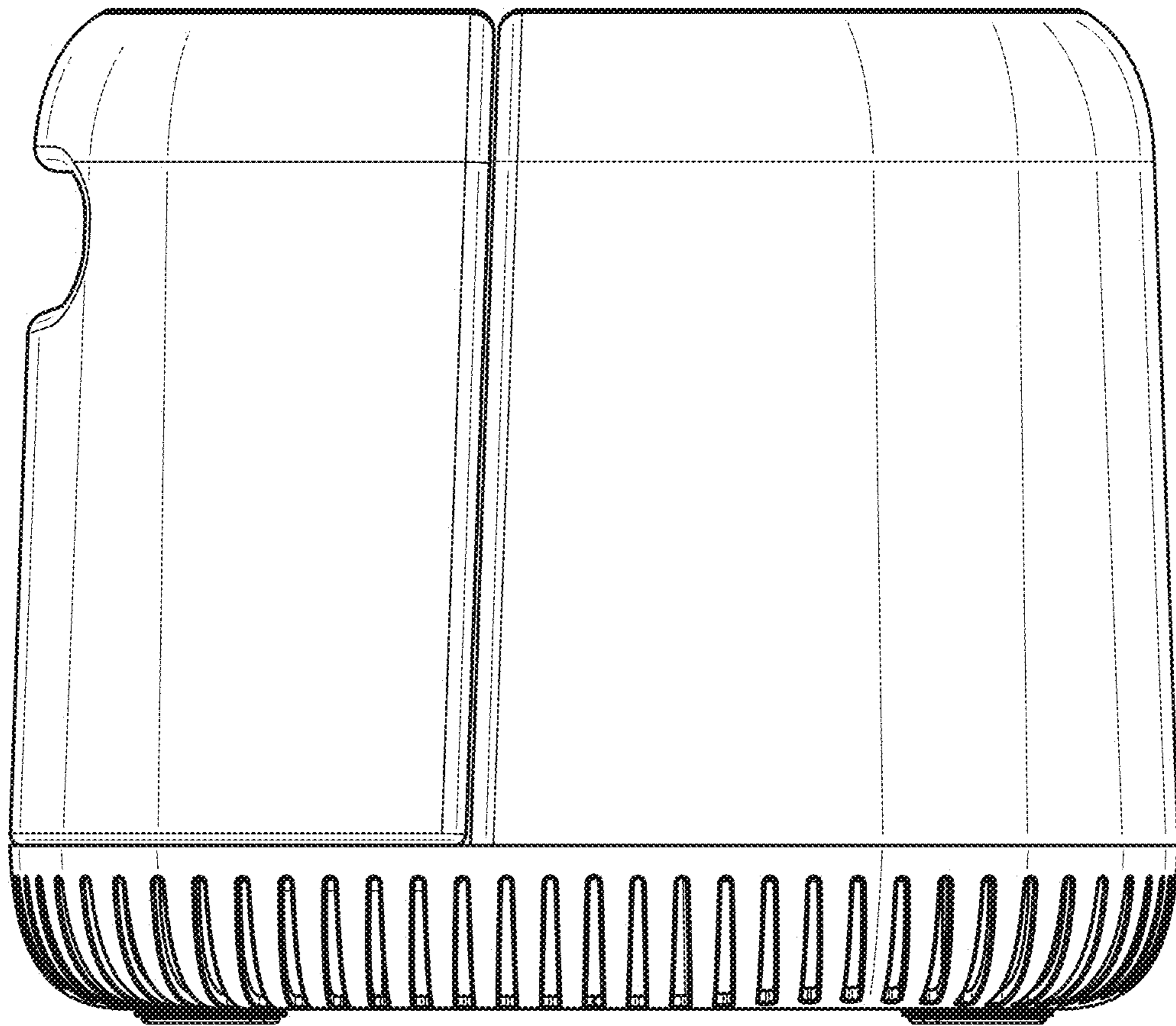


FIG. 5

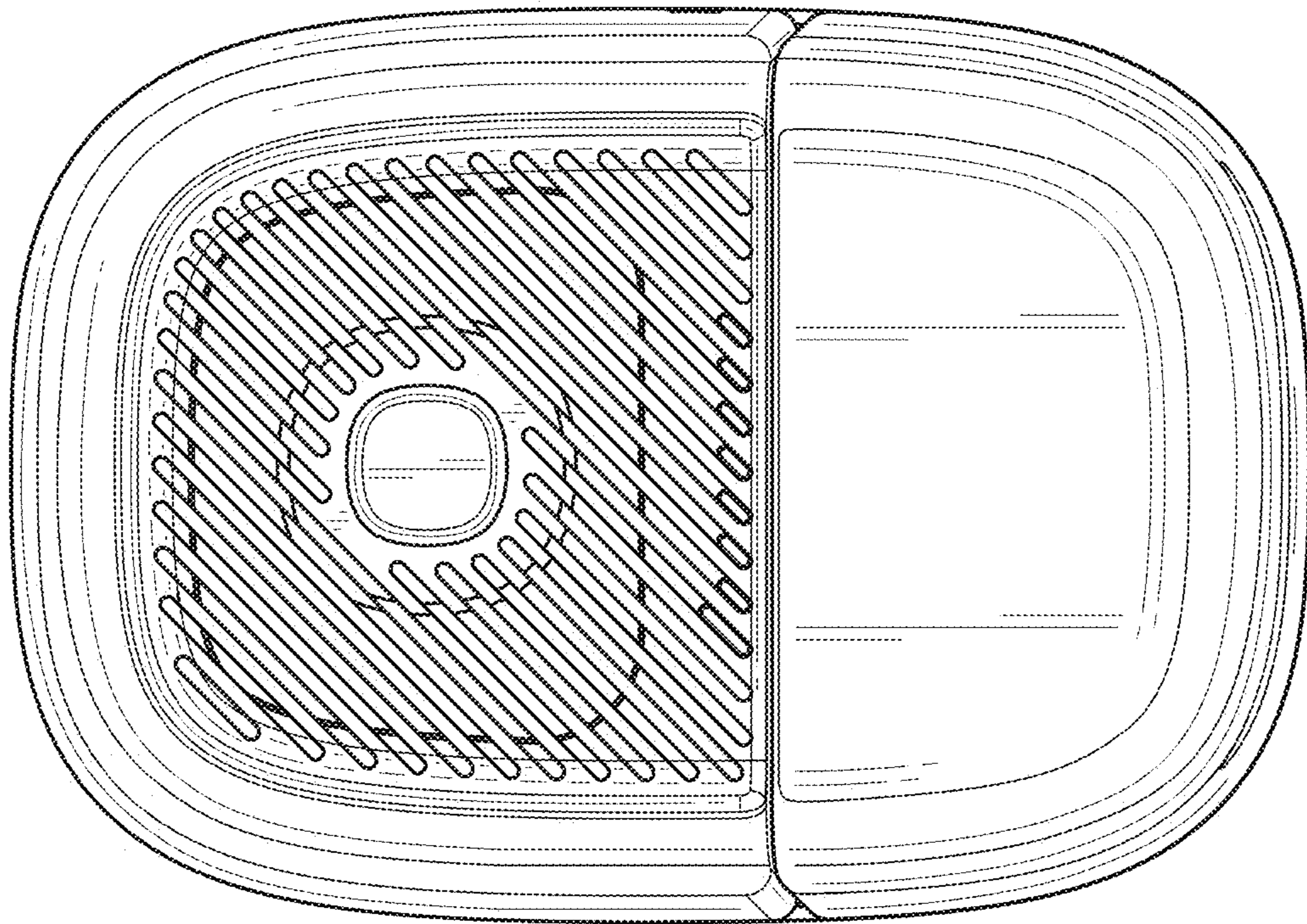


FIG. 6

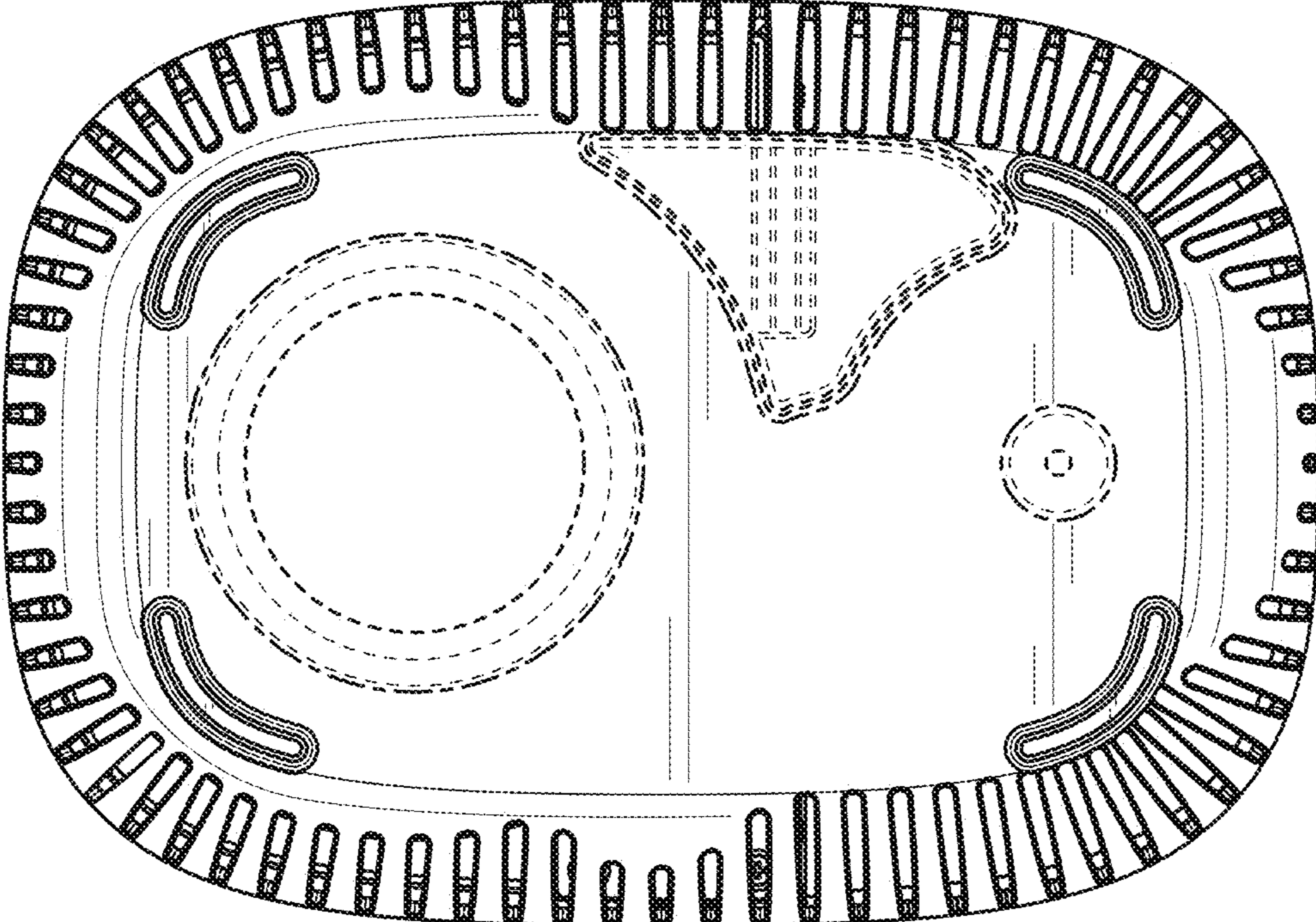


FIG. 7