



US00D961054S

(12) **United States Design Patent**  
**Burns et al.**

(10) **Patent No.:** **US D961,054 S**

(45) **Date of Patent:** **\*\* \*Aug. 16, 2022**

(54) **OIL DRAIN RECEPTACLE ATTACHMENT**

(71) Applicant: **ValvoMax, LLC**, Houston, TX (US)

(72) Inventors: **Michael R. Burns**, Katy, TX (US);  
**Jerry L. Burns**, Nashville, TN (US);  
**Wayne L. Russell**, Lansing, KS (US);  
**Nicholas K. Smock**, Katy, TX (US)

(73) Assignee: **ValvoMax, LLC**, Houston, TX (US)

(\*) Notice: This patent is subject to a terminal disclaimer.

(\*\*) Term: **15 Years**

(21) Appl. No.: **29/737,171**

(22) Filed: **Jun. 5, 2020**

(51) **LOC (13) Cl.** ..... **23-01**

(52) **U.S. Cl.**  
USPC ..... **D23/262; D15/5**

(58) **Field of Classification Search**

USPC ..... D23/235, 259-260, 262, 266; 251/149.6;  
D15/5, 150, 151-152; 137/314;  
285/321, 921

CPC ..... F16N 31/00  
See application file for complete search history.

(56) **References Cited**

**U.S. PATENT DOCUMENTS**

3,387,621	A *	6/1968	Schaff	.....	F01M 11/0408 137/322
4,819,908	A *	4/1989	Norkey	.....	F16L 37/0987 251/149.6
5,056,756	A *	10/1991	Norkey	.....	F16L 37/0982 251/149.6
5,096,158	A *	3/1992	Burdick	.....	F01M 11/0408 137/315.25
5,176,215	A *	1/1993	Ackerman	.....	F01M 11/0408 184/1.5
5,433,410	A *	7/1995	Foltz	.....	F01M 11/0408 251/100

(Continued)

**OTHER PUBLICATIONS**

ValvoMax FlowVent Oil Drain Bag Attachment; Amazon First Available Date: Nov. 26, 2020; Visited Online Dec. 16, 2020; [https://www.amazon.com/ValvoMax-FlowVent-Oil-Drain-Attachment/dp/B08P53J5LM/ref=sr\\_1\\_1?dchild=1&keywords=Valvomax+Flow+vent&qid=1608136147&sr=8-1](https://www.amazon.com/ValvoMax-FlowVent-Oil-Drain-Attachment/dp/B08P53J5LM/ref=sr_1_1?dchild=1&keywords=Valvomax+Flow+vent&qid=1608136147&sr=8-1) (Year: 2020).\*

*Primary Examiner* — Amy C Wierenga

(74) *Attorney, Agent, or Firm* — Kearney, McWilliams & Davis, PLLC; William C. Yarbrough

(57) **CLAIM**

The ornamental design for an oil drain receptacle attachment, as shown and described.

**DESCRIPTION**

FIG. 1 is an exploded view of the present invention that is an oil drain receptacle attachment.

FIG. 2 is a top perspective view of the present invention that is an oil drain receptacle attachment in an open configuration.

FIG. 3 is a front view of the present invention displaying an oil drain receptacle attachment in an open configuration, the rear view being a mirror image thereof.

FIG. 4 is a right-side view of the present invention displaying an oil drain receptacle attachment in an open configuration, the left side view being a mirror image thereof.

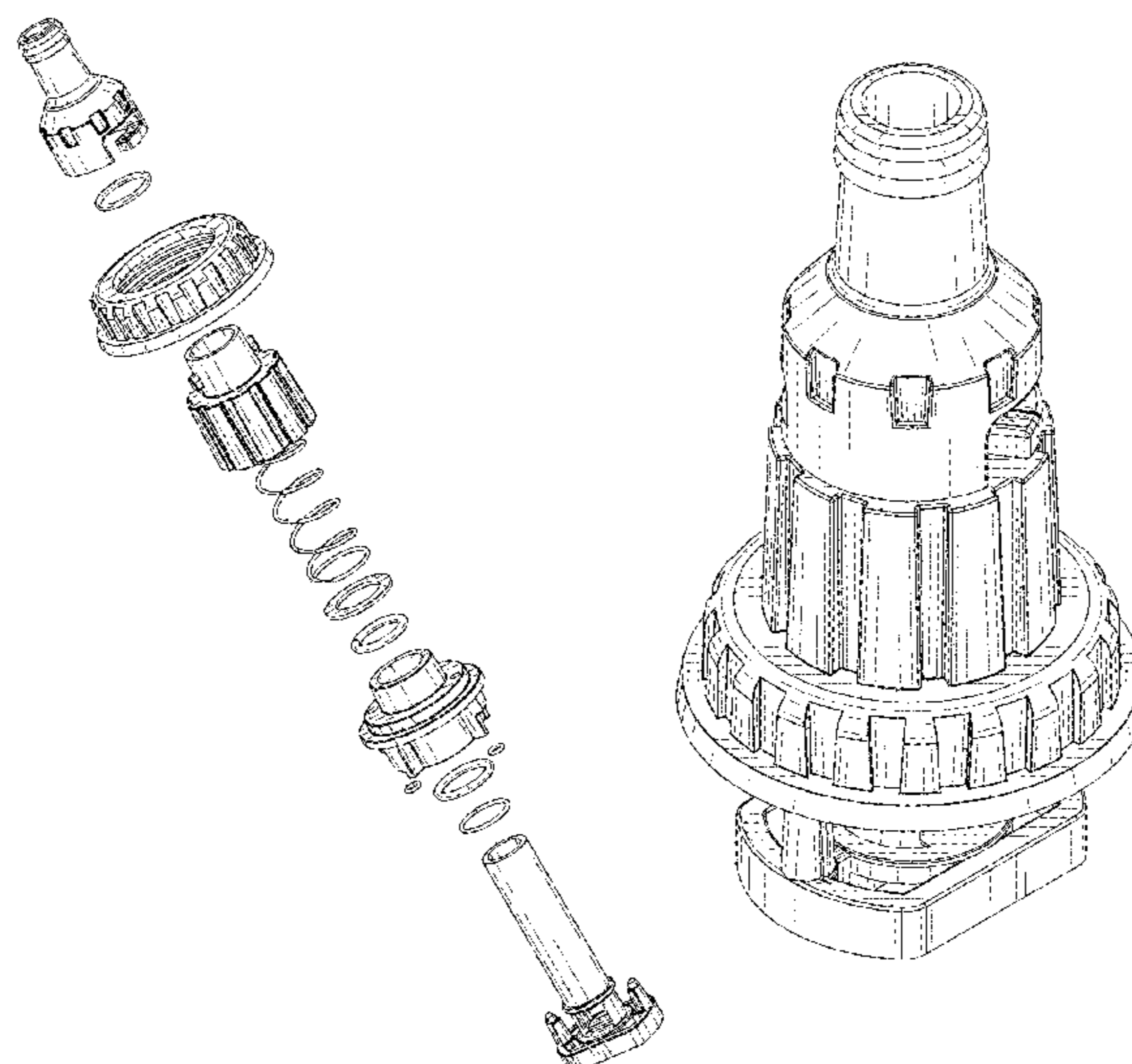
FIG. 5 is a front view of the present invention displaying an oil drain receptacle attachment in a closed configuration.

FIG. 6 is a top view of the present invention that is an oil drain receptacle attachment; and,

FIG. 7 is a bottom view of the present invention that is an oil drain receptacle attachment.

The broken lines shown in FIG. 7 illustrate portions of the oil drain receptacle attachment that form no part of the claim.

**1 Claim, 6 Drawing Sheets**



(56)

**References Cited**

U.S. PATENT DOCUMENTS

5,667,195 A \* 9/1997 McCormick ..... F01M 11/0408  
 184/1.5  
 5,727,652 A \* 3/1998 Ho ..... F01M 11/04  
 184/1.5  
 5,778,928 A \* 7/1998 Boland ..... F01P 11/0276  
 137/588  
 D396,730 S \* 8/1998 Schaupp ..... D23/259  
 5,816,298 A \* 10/1998 Stricklin ..... F16L 41/16  
 141/346  
 D412,738 S \* 8/1999 Kuwabara ..... D23/233  
 6,866,122 B2 \* 3/2005 Brozovic ..... F01M 11/0408  
 184/1.5  
 D608,424 S \* 1/2010 Katsuta ..... D23/266  
 D658,481 S \* 5/2012 Pratt ..... D8/349  
 D691,709 S \* 10/2013 Franzino ..... D23/266  
 8,800,966 B2 \* 8/2014 Cordes ..... F01M 11/04  
 251/344  
 9,700,827 B2 \* 7/2017 Magno, Jr. .... B01D 35/16  
 9,752,473 B1 \* 9/2017 Burns ..... F01M 11/0408  
 2003/0057024 A1 \* 3/2003 Braun ..... F01M 11/0408  
 184/1.5  
 2004/0065509 A1 \* 4/2004 Brozovic ..... F01M 11/0408  
 184/1.5  
 2006/0278839 A1 \* 12/2006 Krywitsky ..... F16L 37/252  
 251/149.6  
 2014/0175314 A1 \* 6/2014 Bondo ..... F16L 37/34  
 251/149.6  
 2015/0108750 A1 \* 4/2015 Peng ..... B01D 17/0214  
 285/124.5  
 2016/0003394 A1 \* 1/2016 Reasoner ..... F16L 37/0982  
 251/149.6

\* cited by examiner

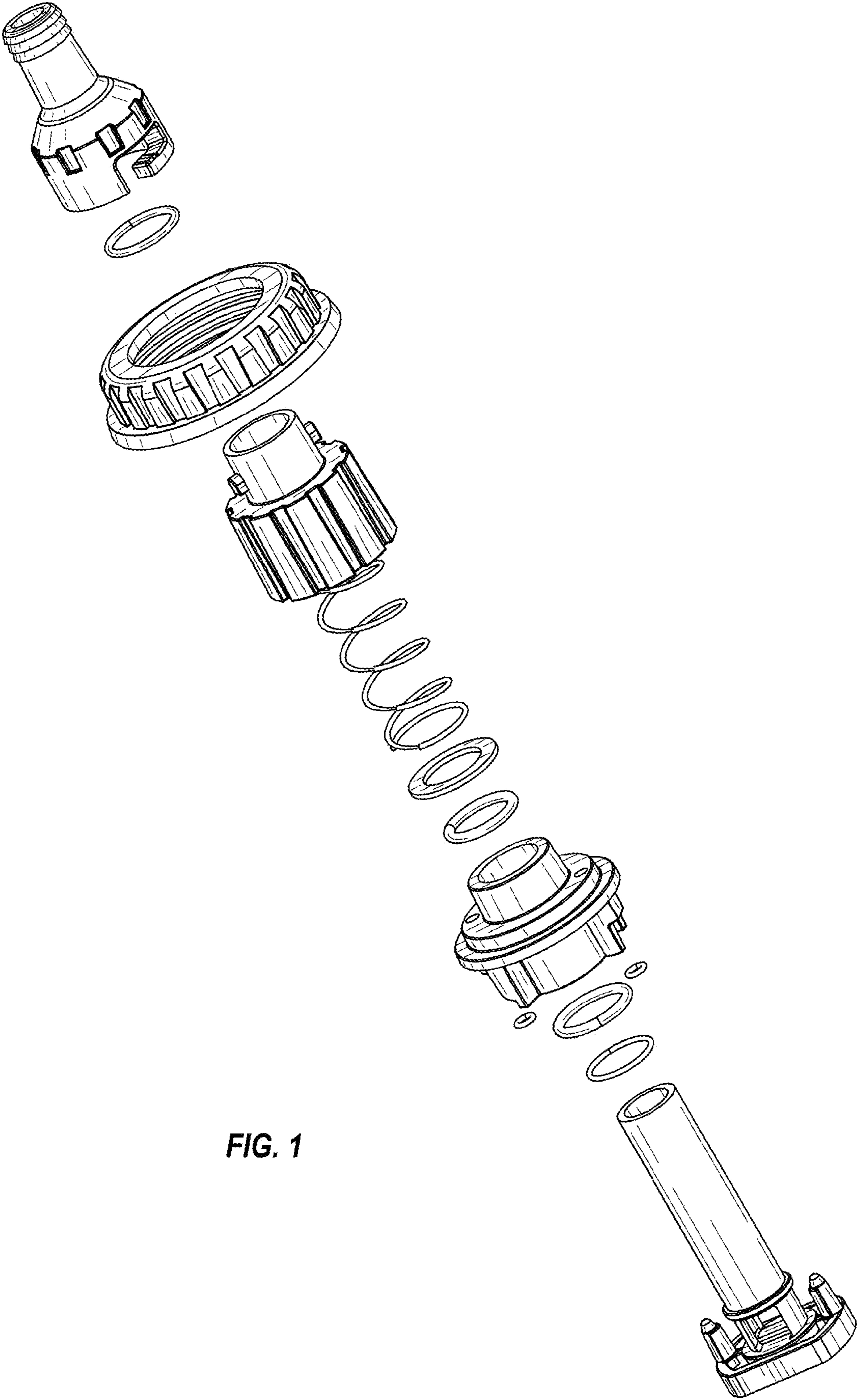
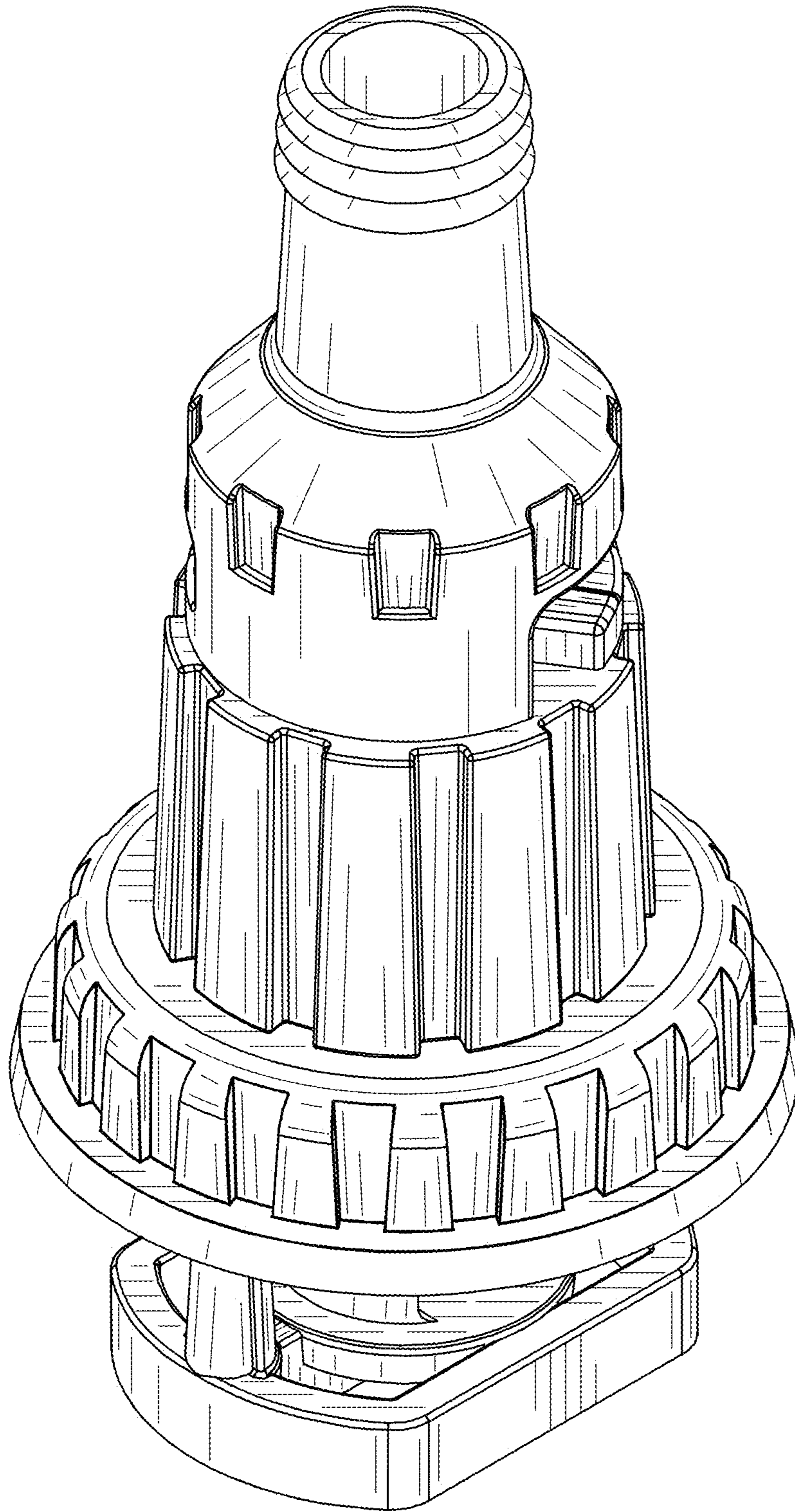


FIG. 1





**FIG. 2**

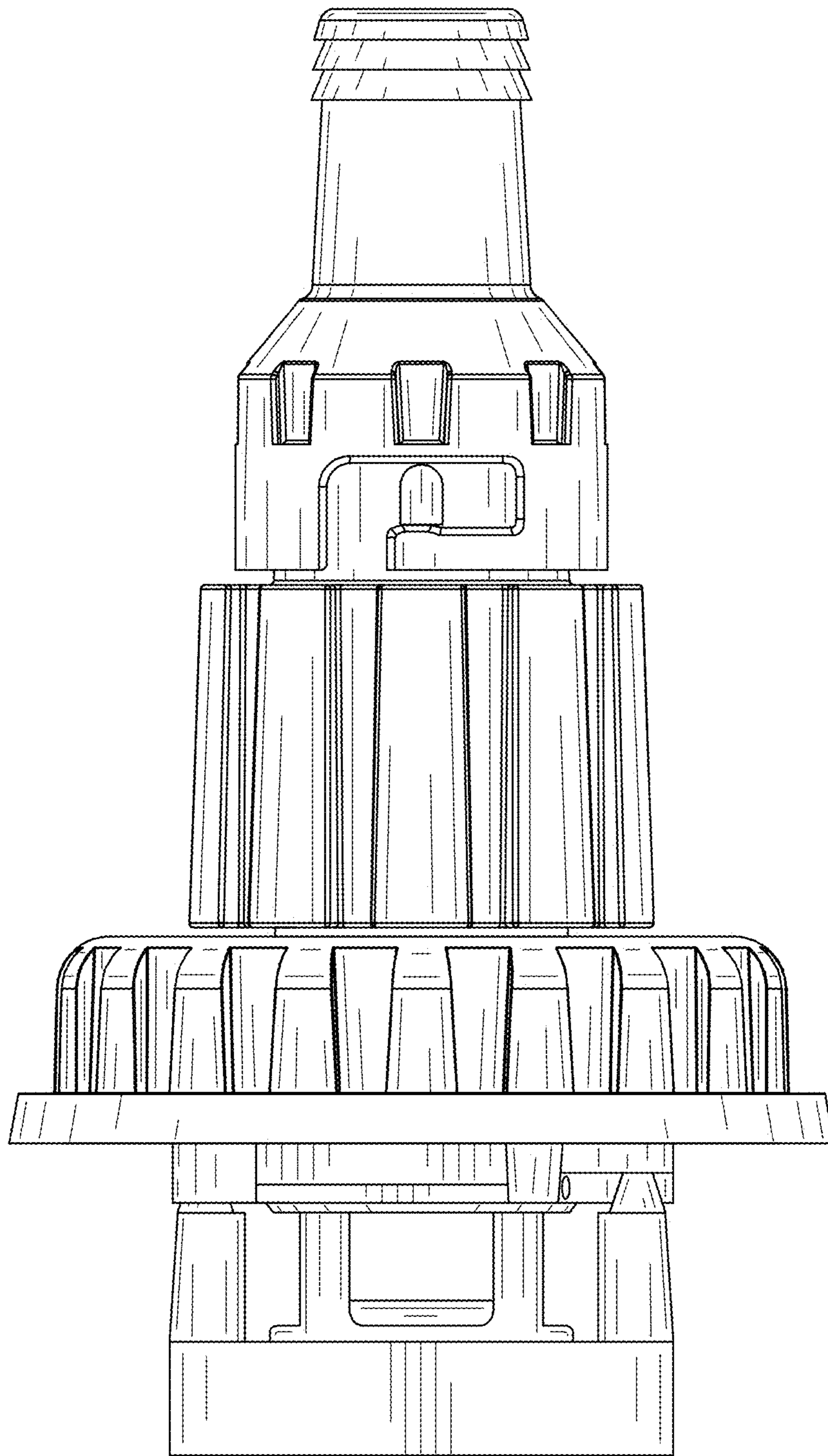
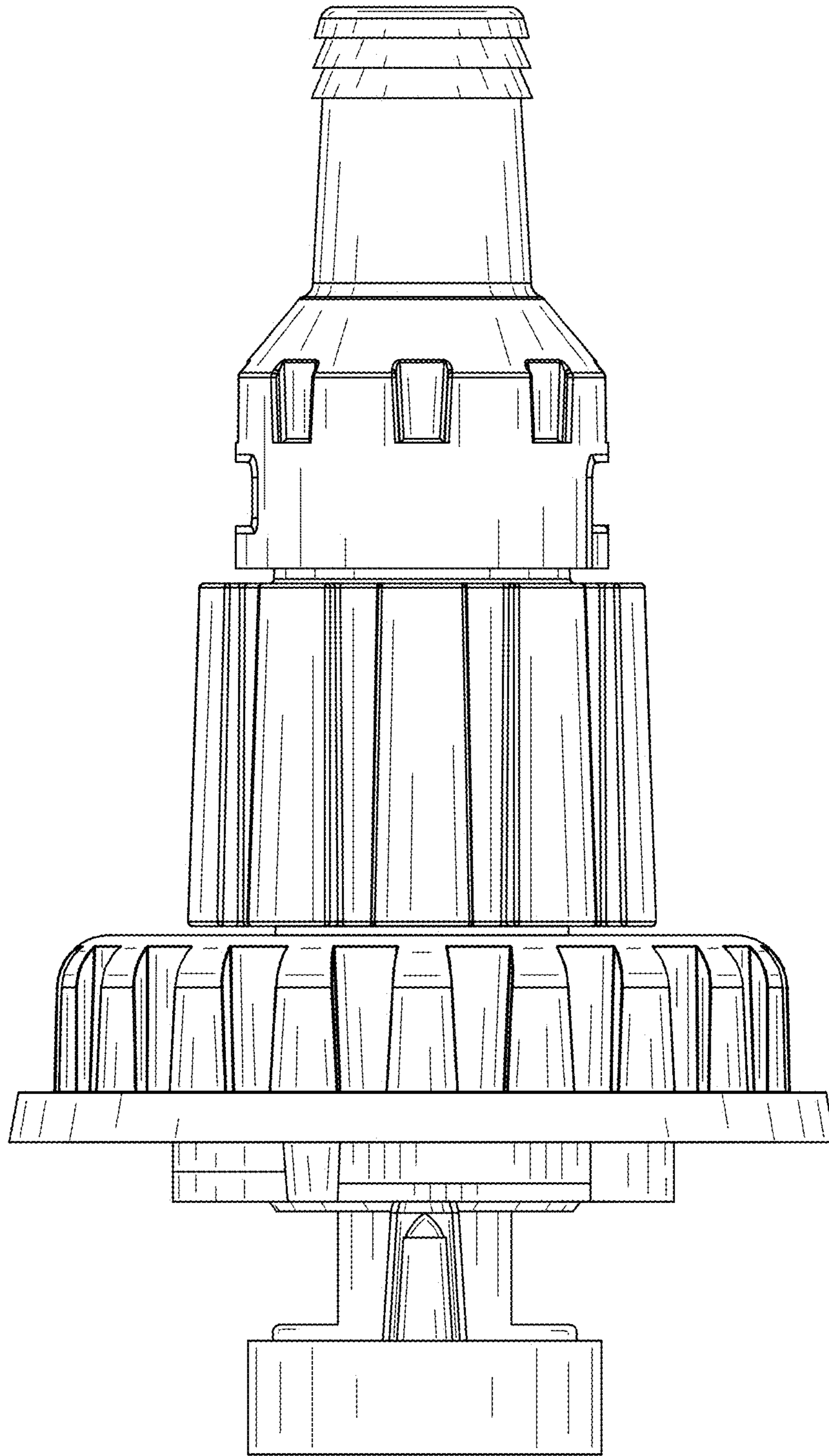


FIG. 3



**FIG. 4**

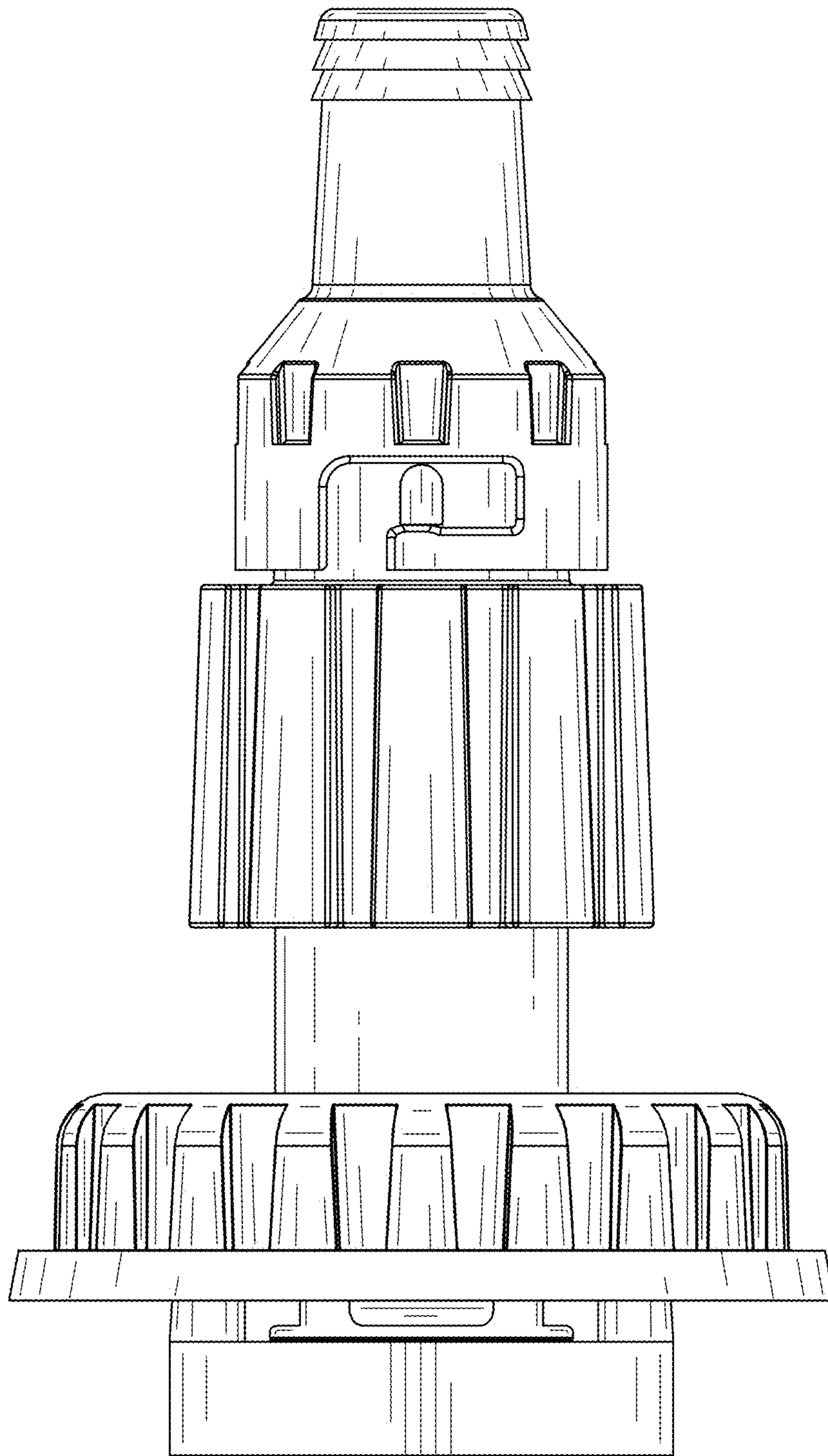


FIG. 5



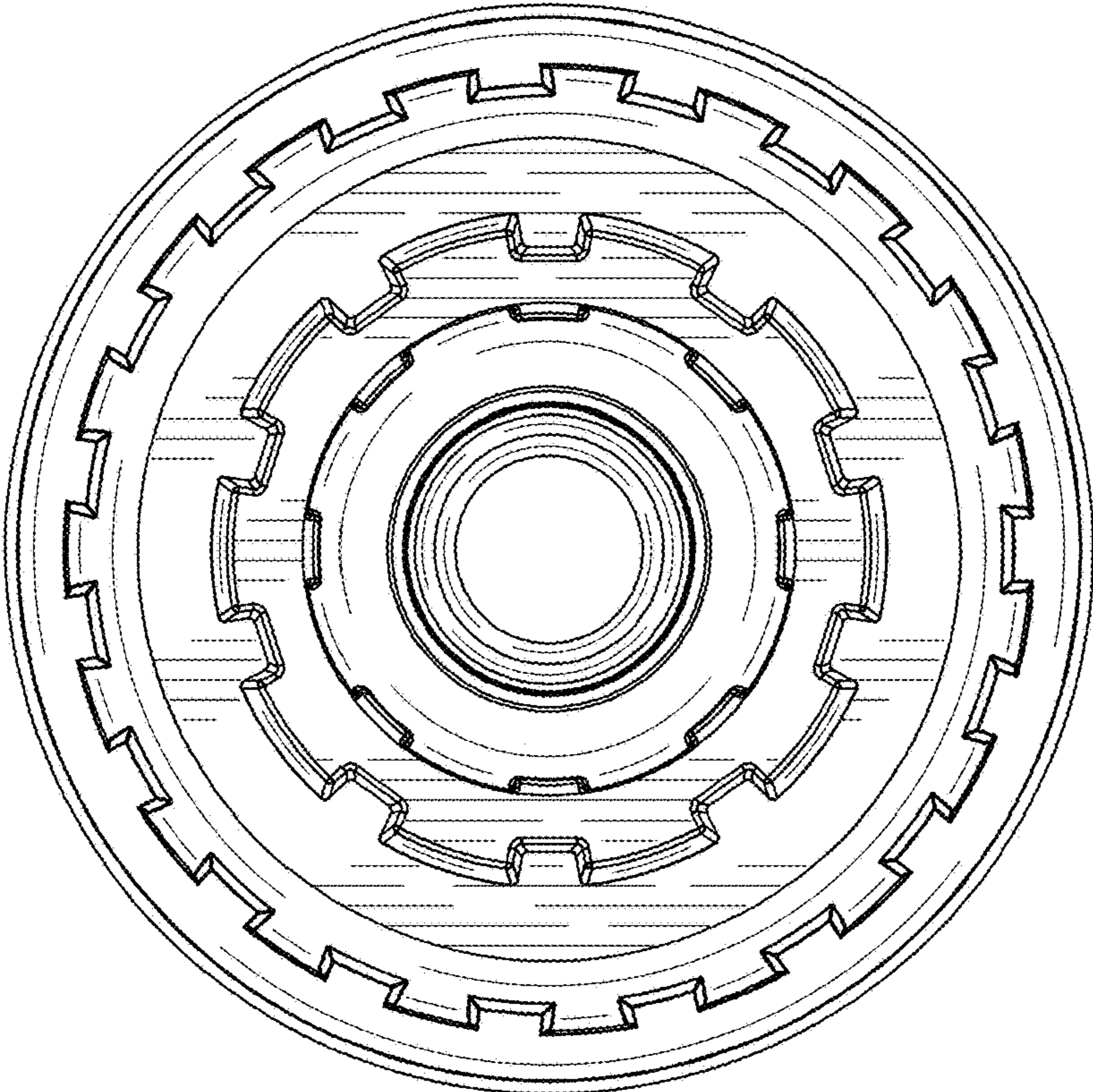


FIG. 6

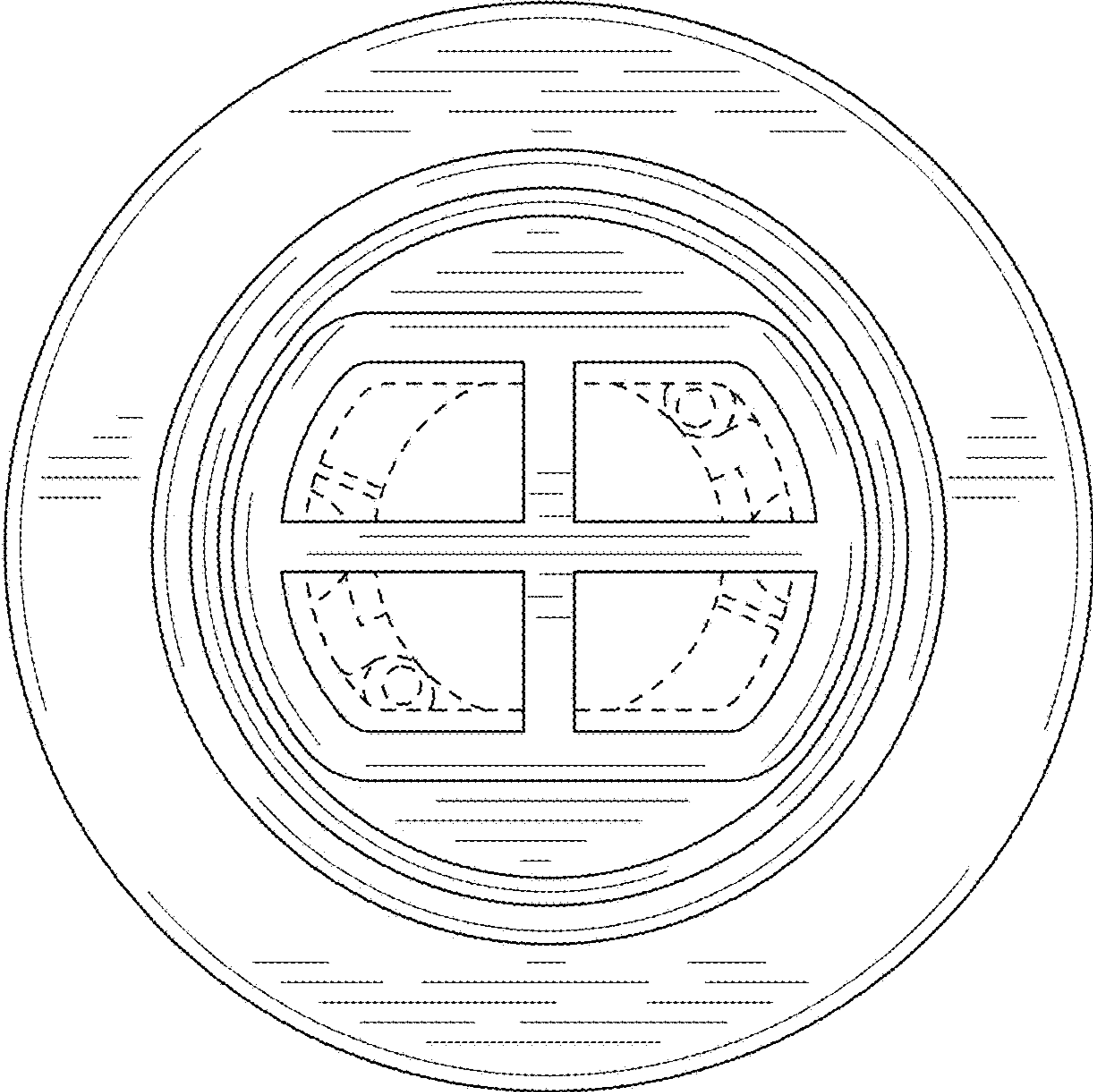


FIG. 7