



US00D961053S

(12) **United States Design Patent** (10) **Patent No.:** **US D961,053 S**  
**Zhu** (45) **Date of Patent:** **\*\* Aug. 16, 2022**

(54) **WATER TAP**

(71) Applicant: **Xiaofeng Zhu**, Ruian (CN)

(72) Inventor: **Xiaofeng Zhu**, Ruian (CN)

(\*\*) Term: **15 Years**

(21) Appl. No.: **29/771,383**

(22) Filed: **Feb. 22, 2021**

(51) **LOC (13) Cl.** ..... **23-01**

(52) **U.S. Cl.**  
USPC ..... **D23/242**

(58) **Field of Classification Search**  
USPC ..... D23/238-244, 252, 254-255, 257, 499;  
D7/398

CPC .... F16K 31/602; F16K 31/605; F16K 31/607;  
E03C 1/0412

See application file for complete search history.

(56) **References Cited**

**U.S. PATENT DOCUMENTS**

D517,655 S *	3/2006	Ogata	.....	D23/241
D645,941 S *	9/2011	Ando	.....	D23/242
D811,536 S *	2/2018	Schoenherr	.....	D23/242
D811,537 S *	2/2018	Schoenherr	.....	D23/242
D828,506 S *	9/2018	Schoenherr	.....	D23/238
D828,507 S *	9/2018	Schoenherr	.....	D23/238
D848,575 S *	5/2019	Garland	.....	D23/242
D856,490 S *	8/2019	Seum	.....	D23/242
D861,136 S *	9/2019	Diefenbach	.....	D23/242
D924,369 S *	7/2021	Zeng	.....	D23/242

**FOREIGN PATENT DOCUMENTS**

CN 304643339 \* 5/2018

**OTHER PUBLICATIONS**

Kohler K-23255-4-BN Kohler K-23255-4 Honesty 1.2 GPM Wide-spread Bathroom Faucet, first available Jan. 31, 2019[online], [site

visited Jun. 9, 2022]. Available from internet, URL:<https://www.amazon.com/dp/B07N9GG2BS> (Year: 2019).\*

Peerless Xander Widespread Bathroom Faucet, first available Feb. 13, 2018[online], [site visited Jun. 9, 2022]. Available from internet, URL:<https://www.amazon.com/Peerless-P3519LF-Xander-Widespread-Bathroom/dp/B079T75TLC?th=1> (Year: 2018).\*

BESy Matte Black Bathroom Faucet, first available Oct. 13, 2021 [online], [site visited Jun. 9, 2022]. Available from internet, URL:<https://www.amazon.com/BESy-Bathroom-Lavatory-Widespread-Waterfall/dp/B09JB9SWP1> (Year: 2021).\*

\* cited by examiner

*Primary Examiner* — David G Muller

*Assistant Examiner* — Jamaal Rasheed

(74) *Attorney, Agent, or Firm* — ScienBiziP, P.C.

(57) **CLAIM**

The ornamental design for a water tap, as shown and described.

**DESCRIPTION**

FIG. 1 is a front, right, and top perspective view of a water tap, showing my design.

FIG. 2 is a rear, left, and top perspective view thereof.

FIG. 3 is a front elevation view thereof.

FIG. 4 is a rear elevation view thereof.

FIG. 5 is a left side elevation view thereof.

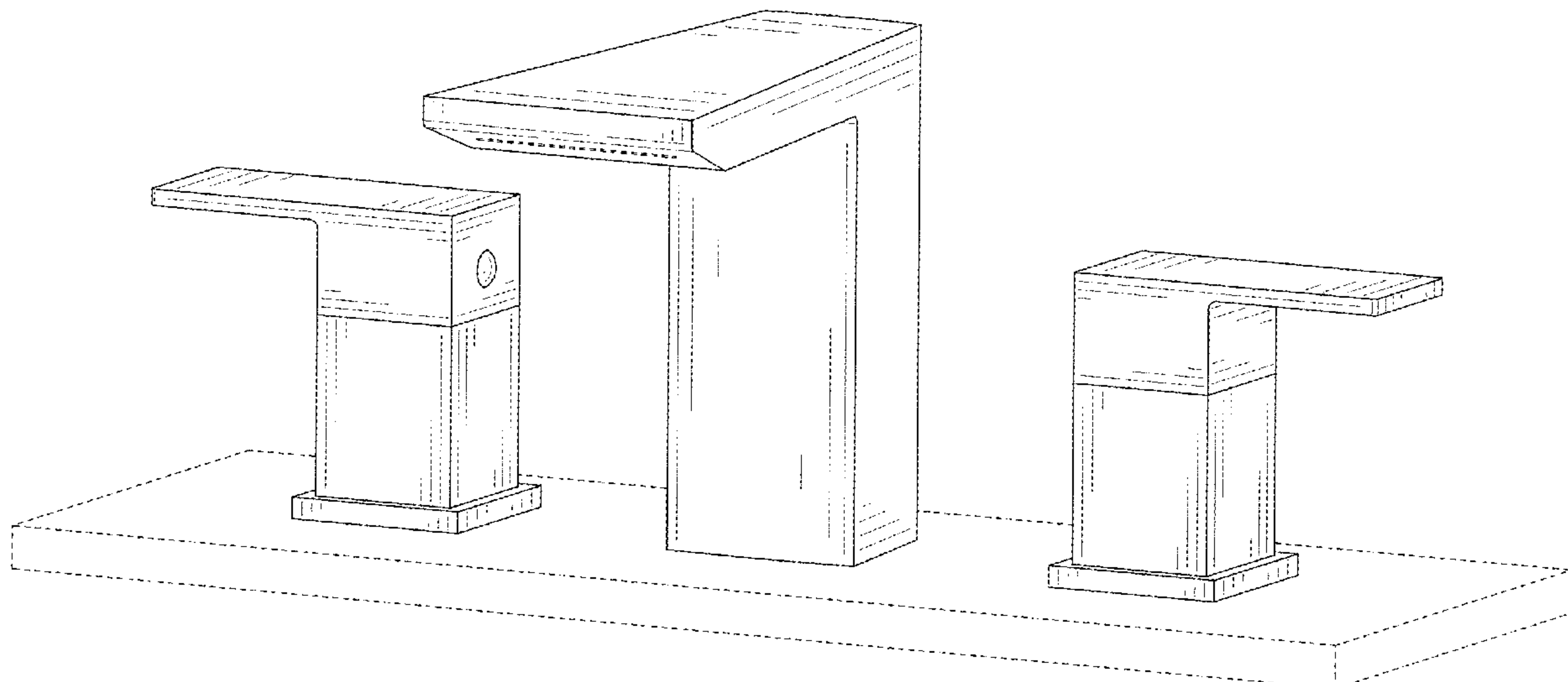
FIG. 6 is a right side elevation view thereof.

FIG. 7 is a top plan view thereof; and,

FIG. 8 is a bottom plan view thereof.

The broken lines shown in the drawings are included for the purpose of illustrating portions of the water tap that form no part of the claimed design.

**1 Claim, 8 Drawing Sheets**



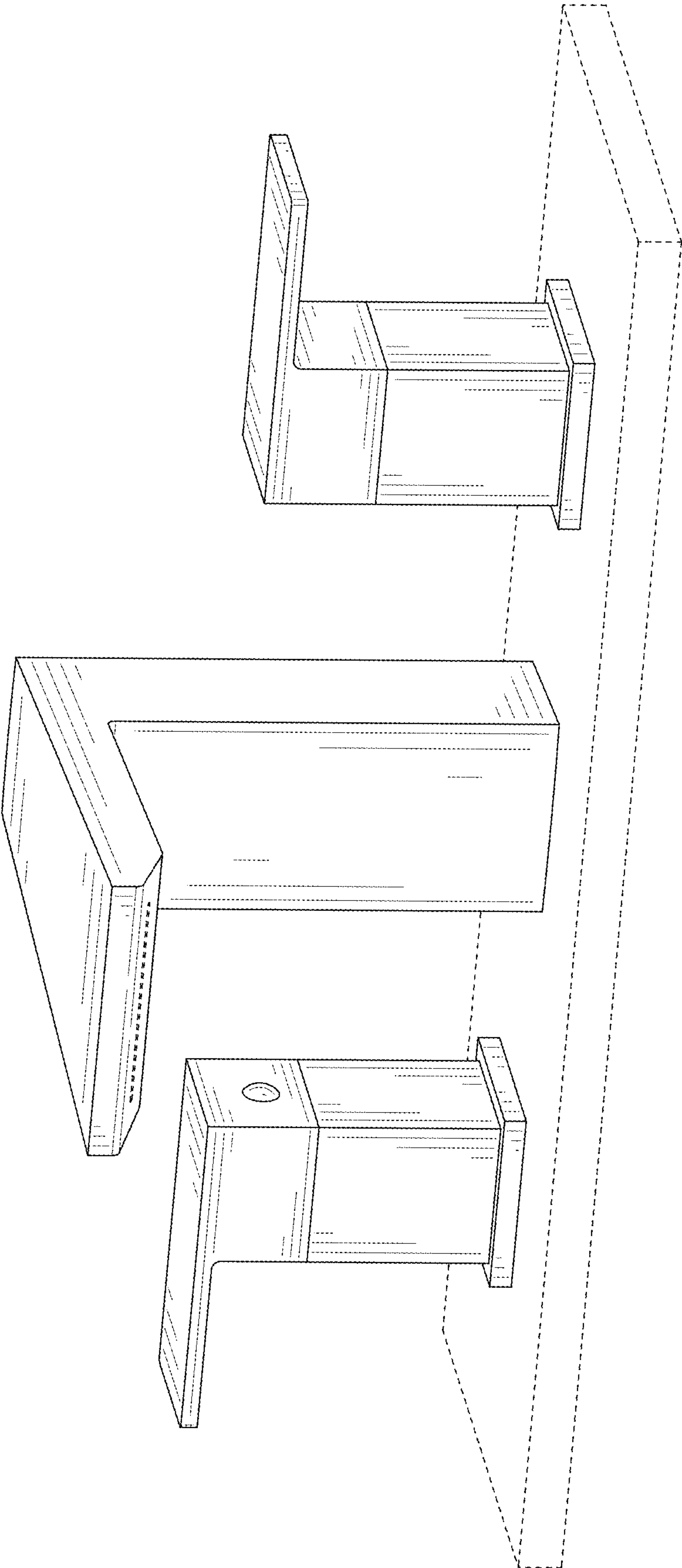


FIG. 1

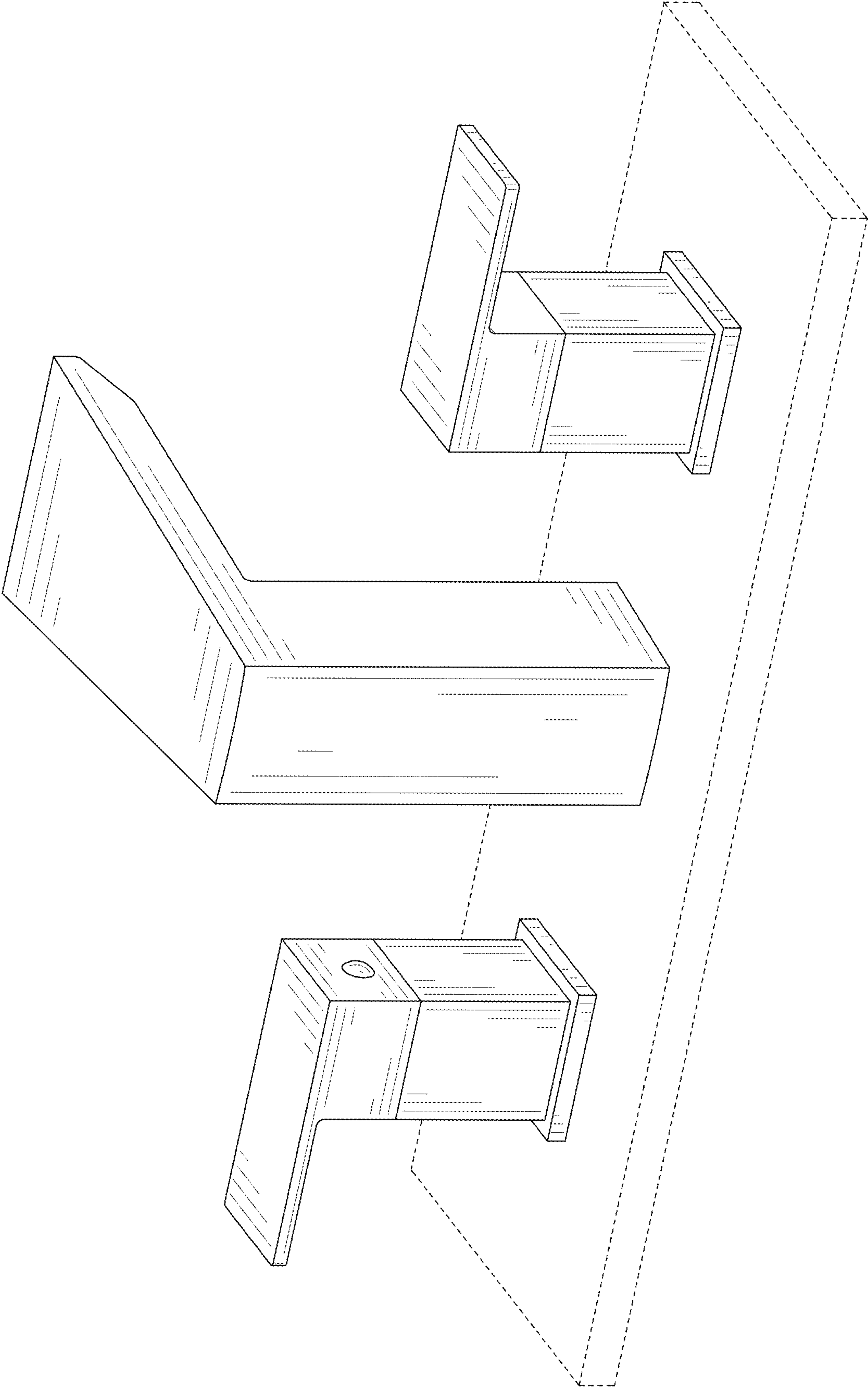


FIG. 2

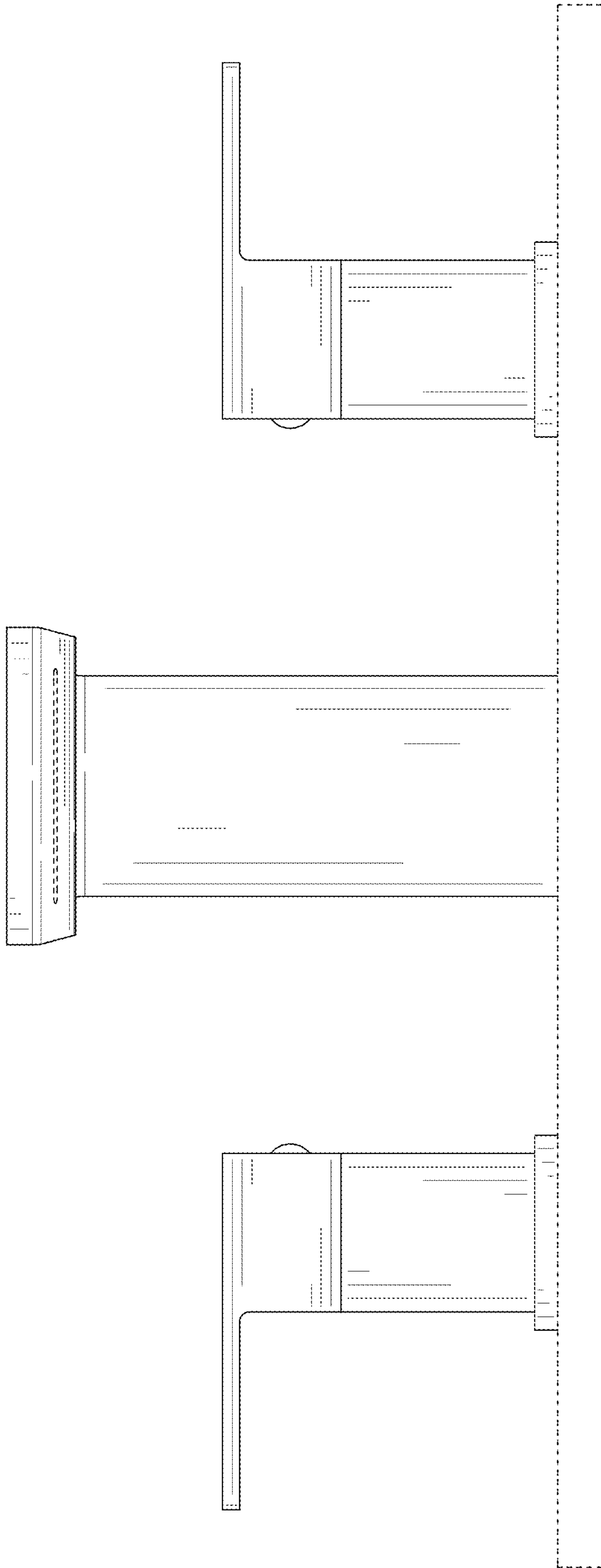


FIG. 3

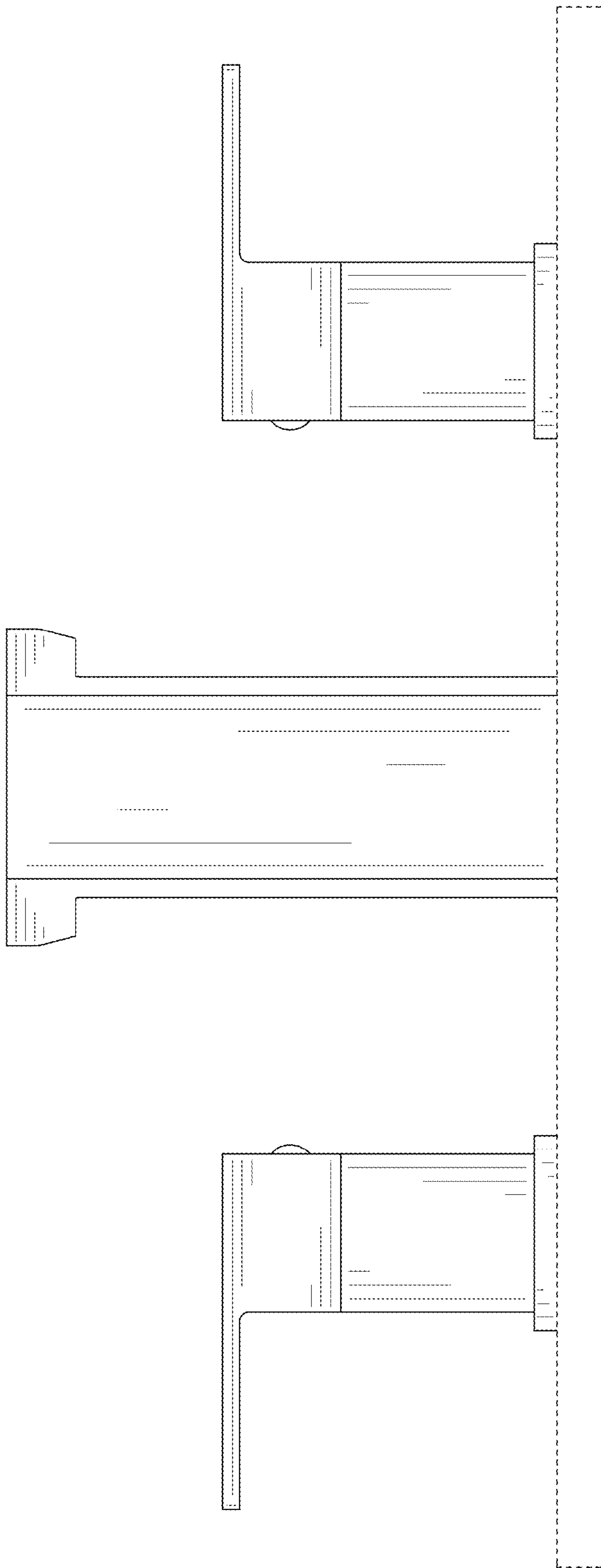


FIG. 4

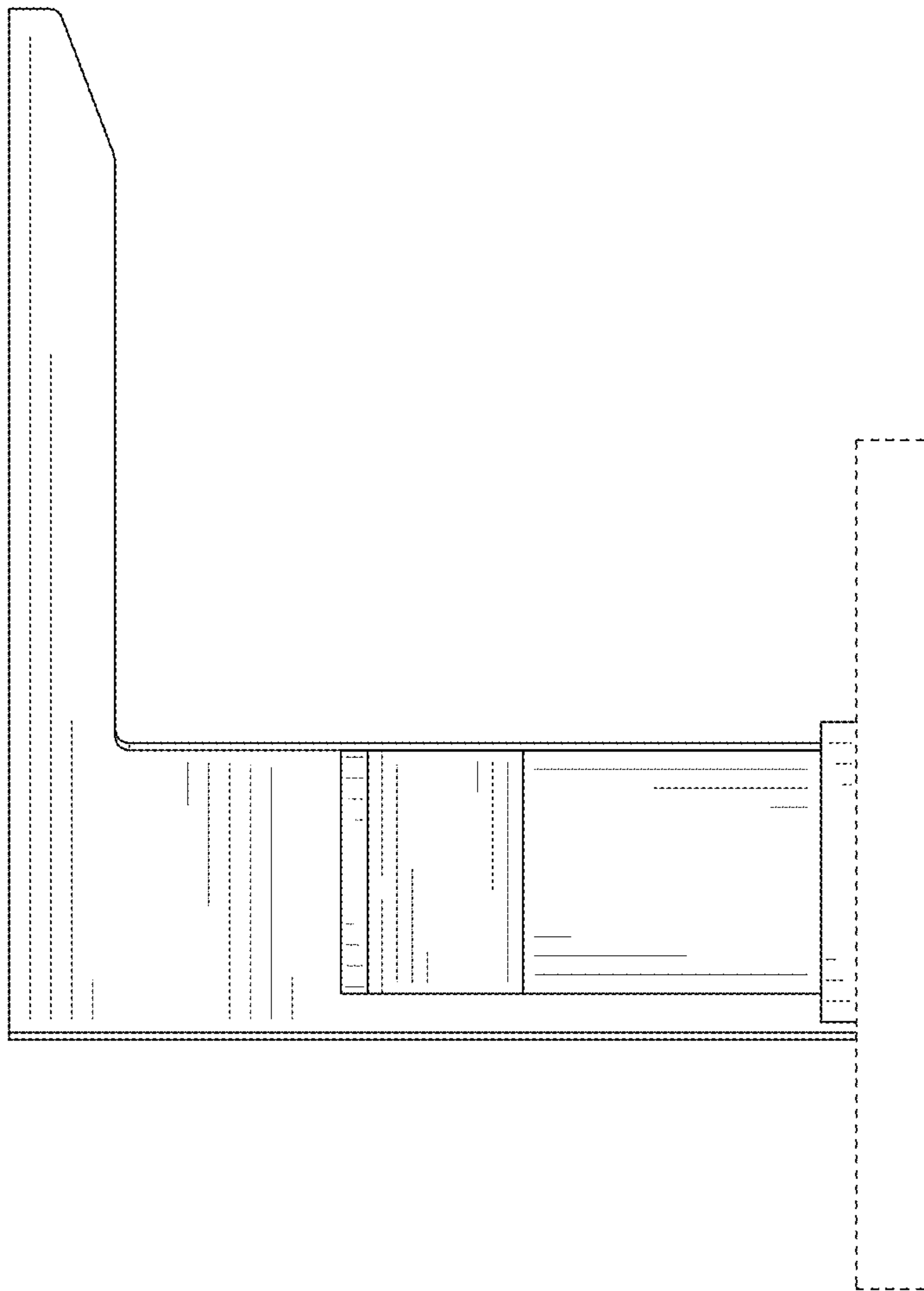


FIG. 5

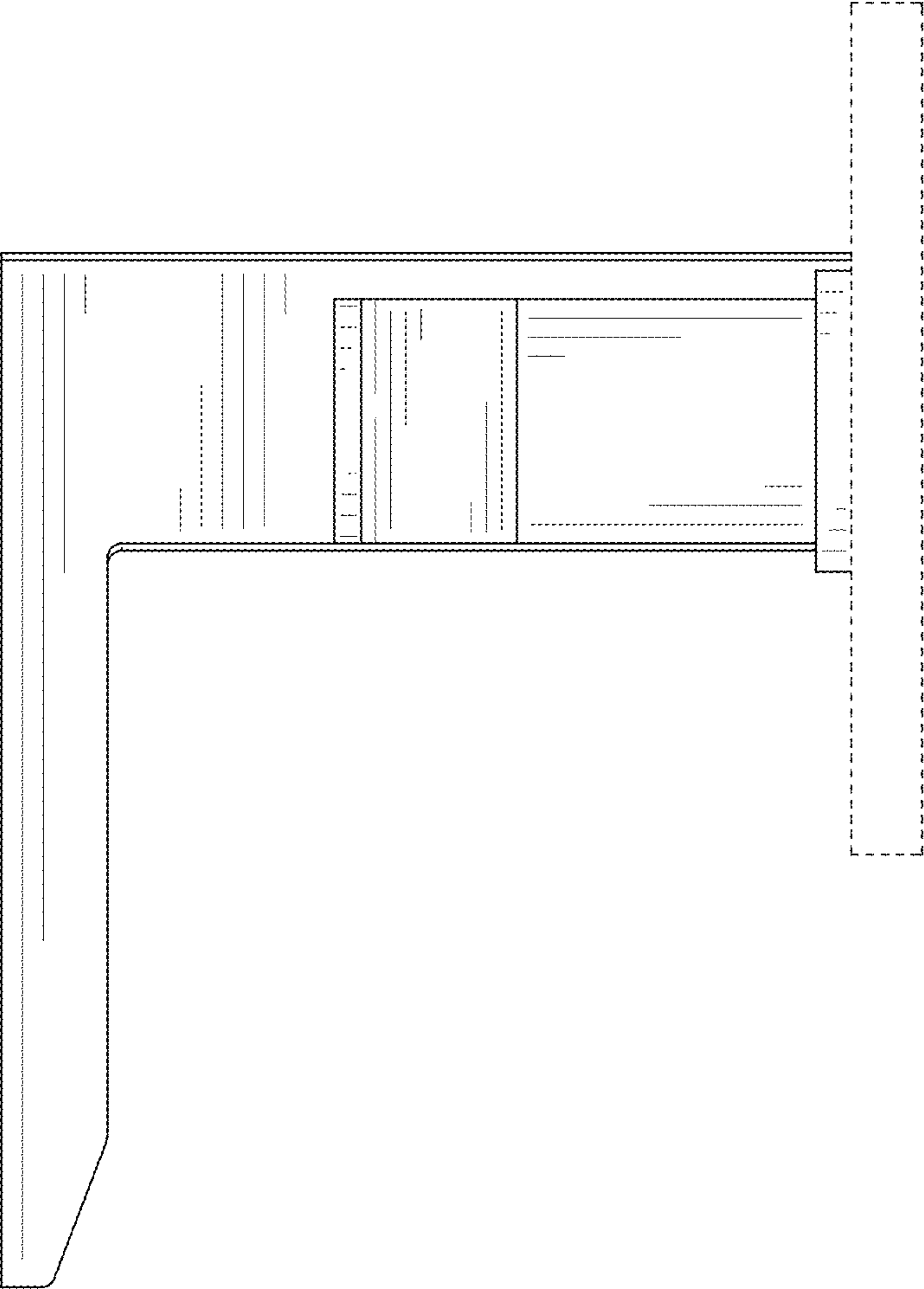


FIG. 6



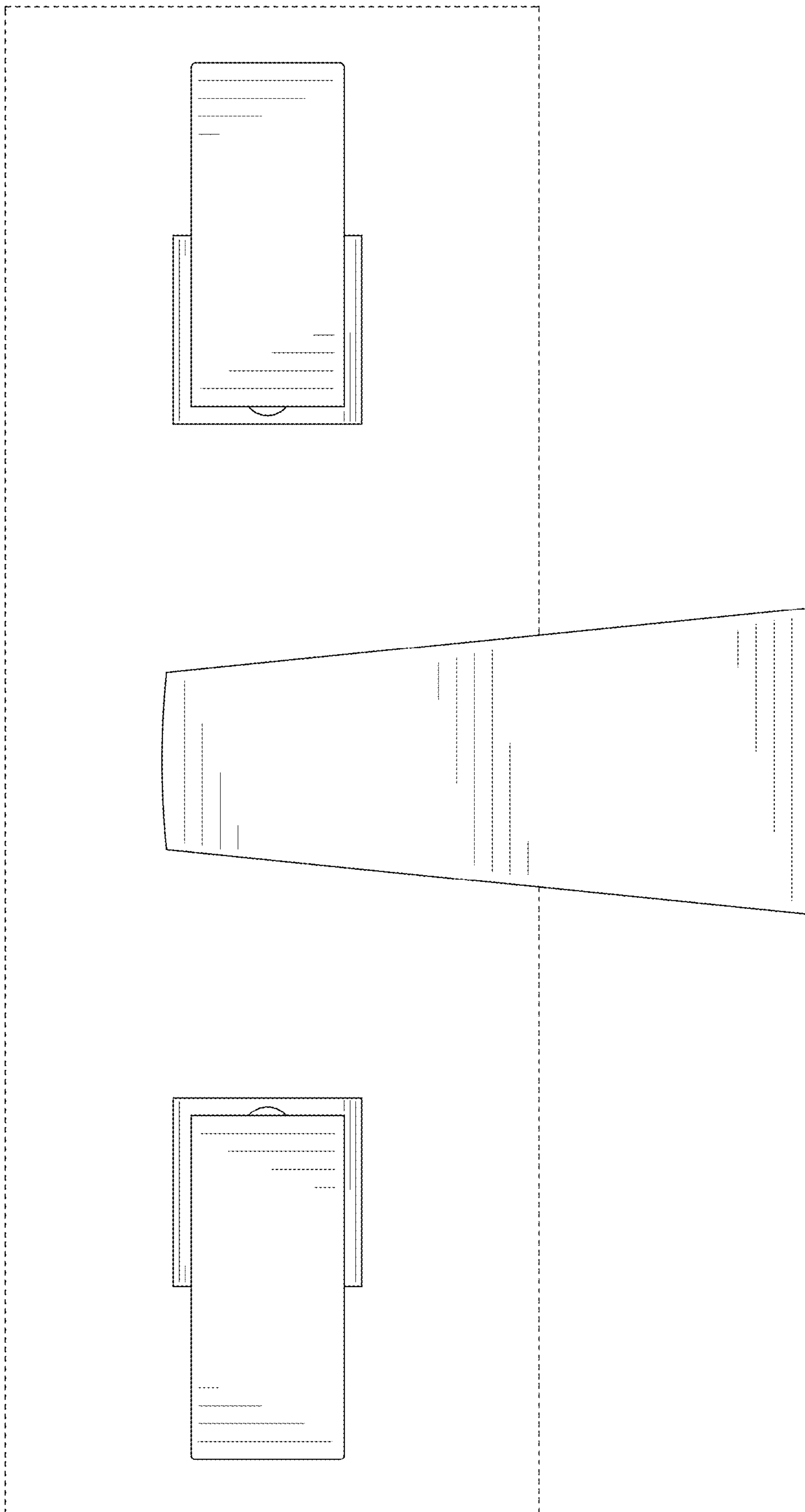


FIG. 7



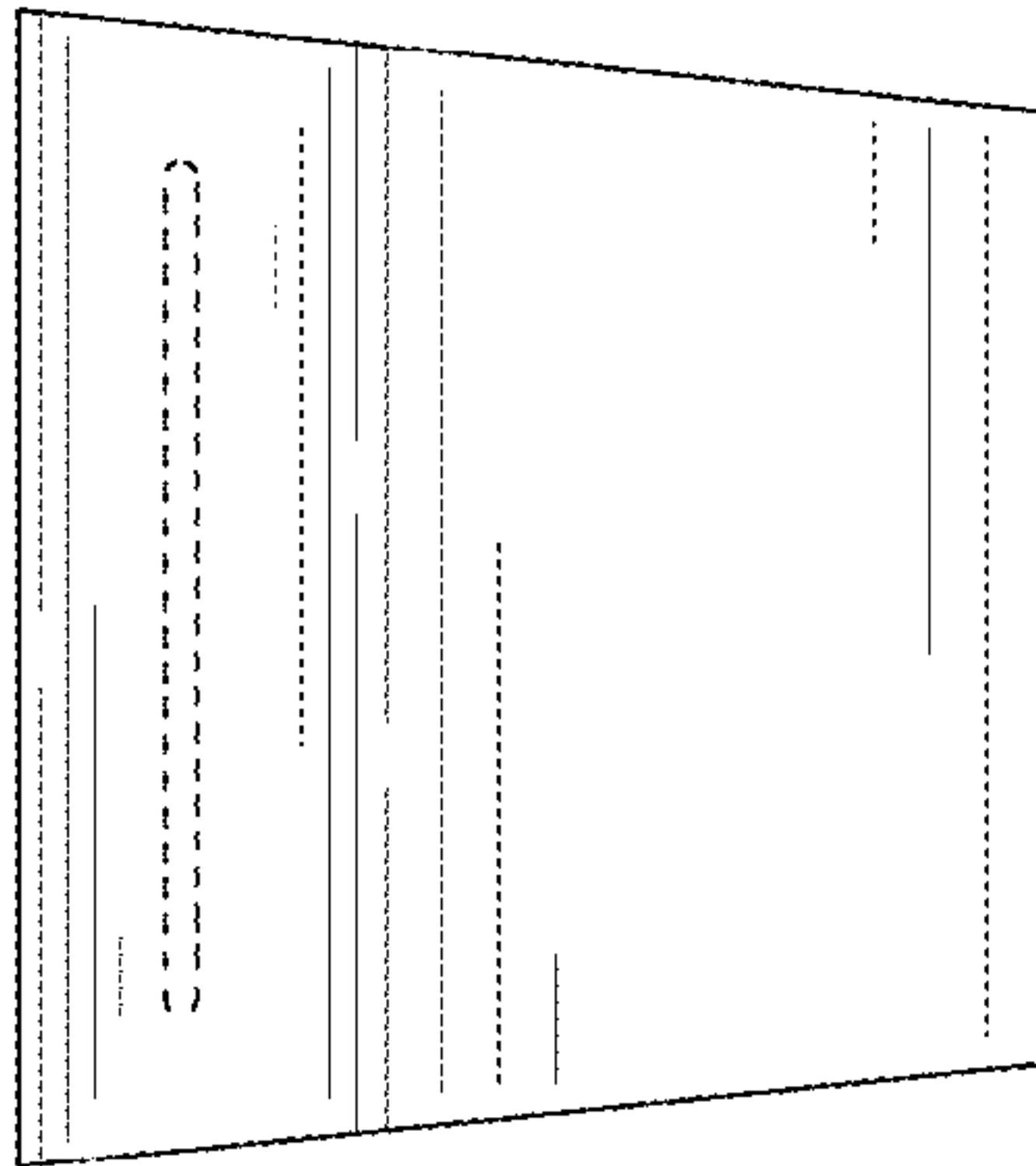


FIG. 8