

US00D961052S

(12) **United States Design Patent**
Mai

(10) **Patent No.:** **US D961,052 S**

(45) **Date of Patent:** **** Aug. 16, 2022**

(54) **FAUCET**

(71) Applicant: **Kefeng Mai**, Hong Kong (CN)

(72) Inventor: **Kefeng Mai**, Hong Kong (CN)

(**) Term: **15 Years**

(21) Appl. No.: **29/750,076**

(22) Filed: **Sep. 11, 2020**

(51) **LOC (13) Cl.** **23-01**

(52) **U.S. Cl.**
USPC **D23/241**

(58) **Field of Classification Search**
USPC D23/238–243, 249–250, 252, 254–255,
D23/257; D8/307–308, 353
See application file for complete search history.

(56) **References Cited**

U.S. PATENT DOCUMENTS

D265,229 S *	6/1982	Paul	D23/242
D570,450 S *	6/2008	Dolan	D23/241
D617,424 S *	6/2010	Hanna	D23/252
D904,569 S *	12/2020	Pan	D23/242
D924,369 S *	7/2021	Zeng	D23/242

* cited by examiner

Primary Examiner — Robert A Delehanty

(74) *Attorney, Agent, or Firm* — Bayramoglu Law Offices LLC

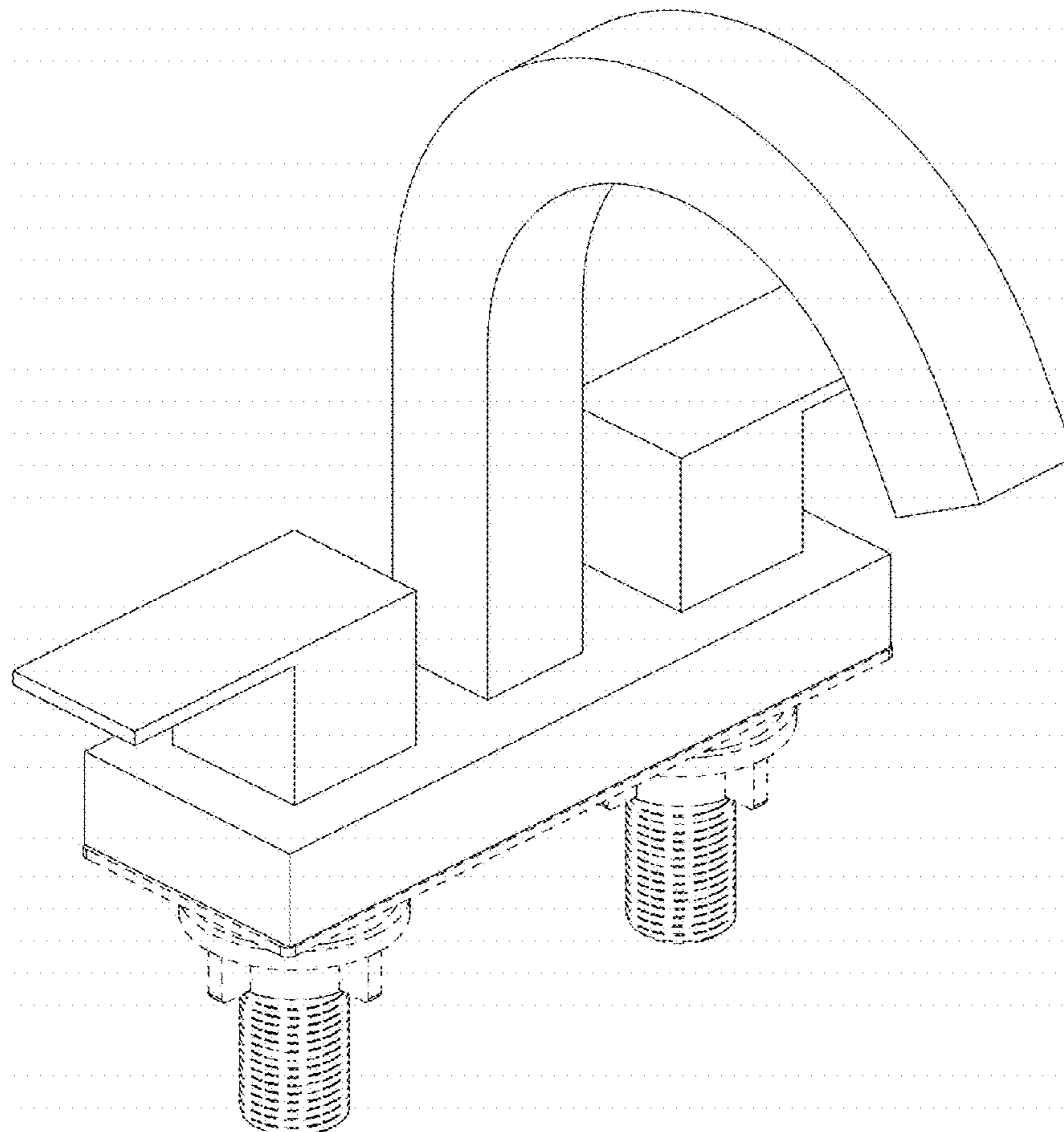
(57) **CLAIM**

The ornamental design for a faucet, as shown and described.

DESCRIPTION

FIG. 1 is a front, top and left view of a faucet showing my new design;
FIG. 2 is a front view thereof;
FIG. 3 is a rear view thereof;
FIG. 4 is a left side view thereof;
FIG. 5 is a right side view thereof;
FIG. 6 is a top view thereof;
FIG. 7 is a bottom view thereof; and,
FIG. 8 is a front, bottom and right perspective view thereof.
The broken lines depict portions of the faucet in which the design is embodied that form no part of the claimed design.

1 Claim, 8 Drawing Sheets



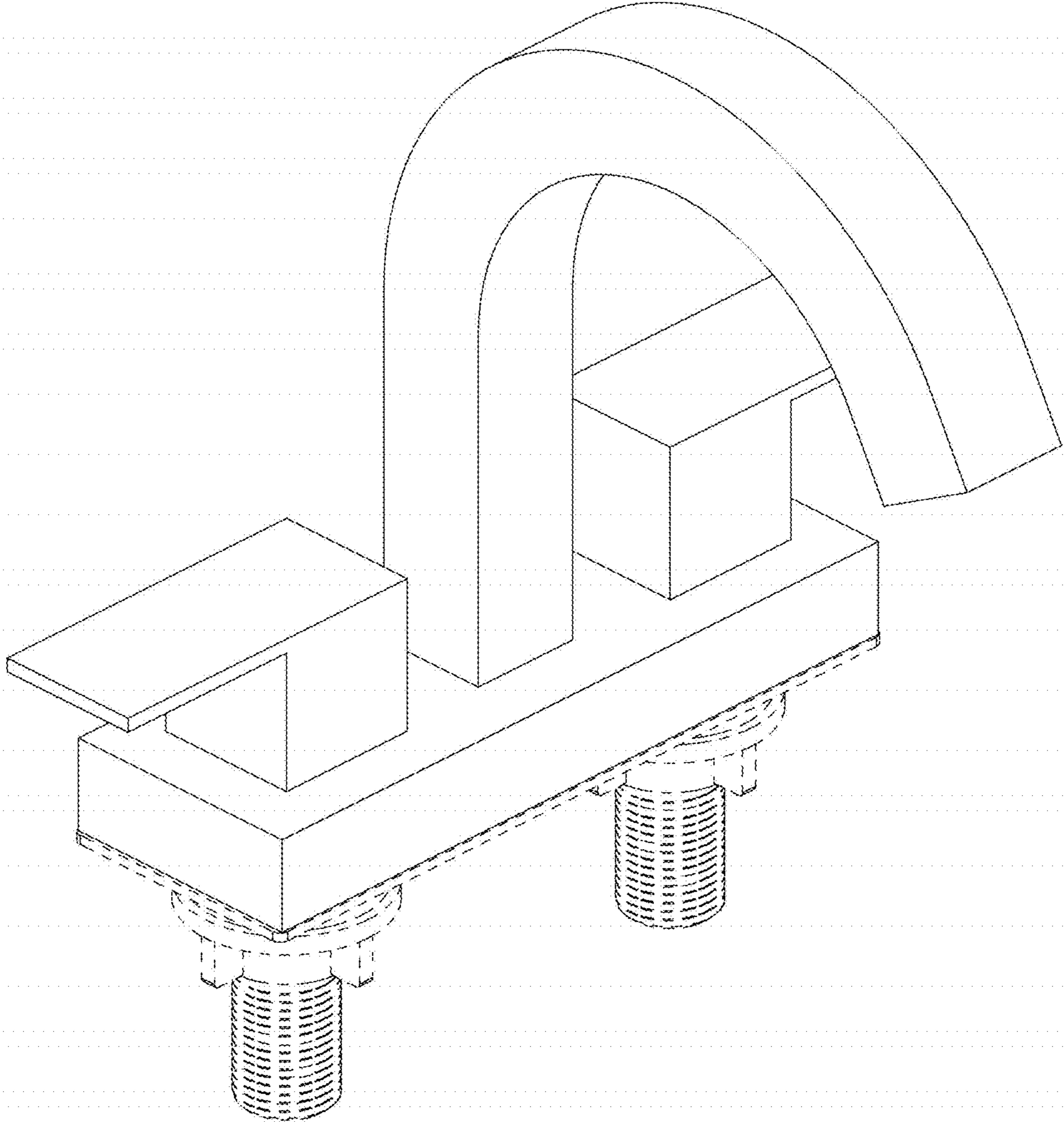


FIG. 1

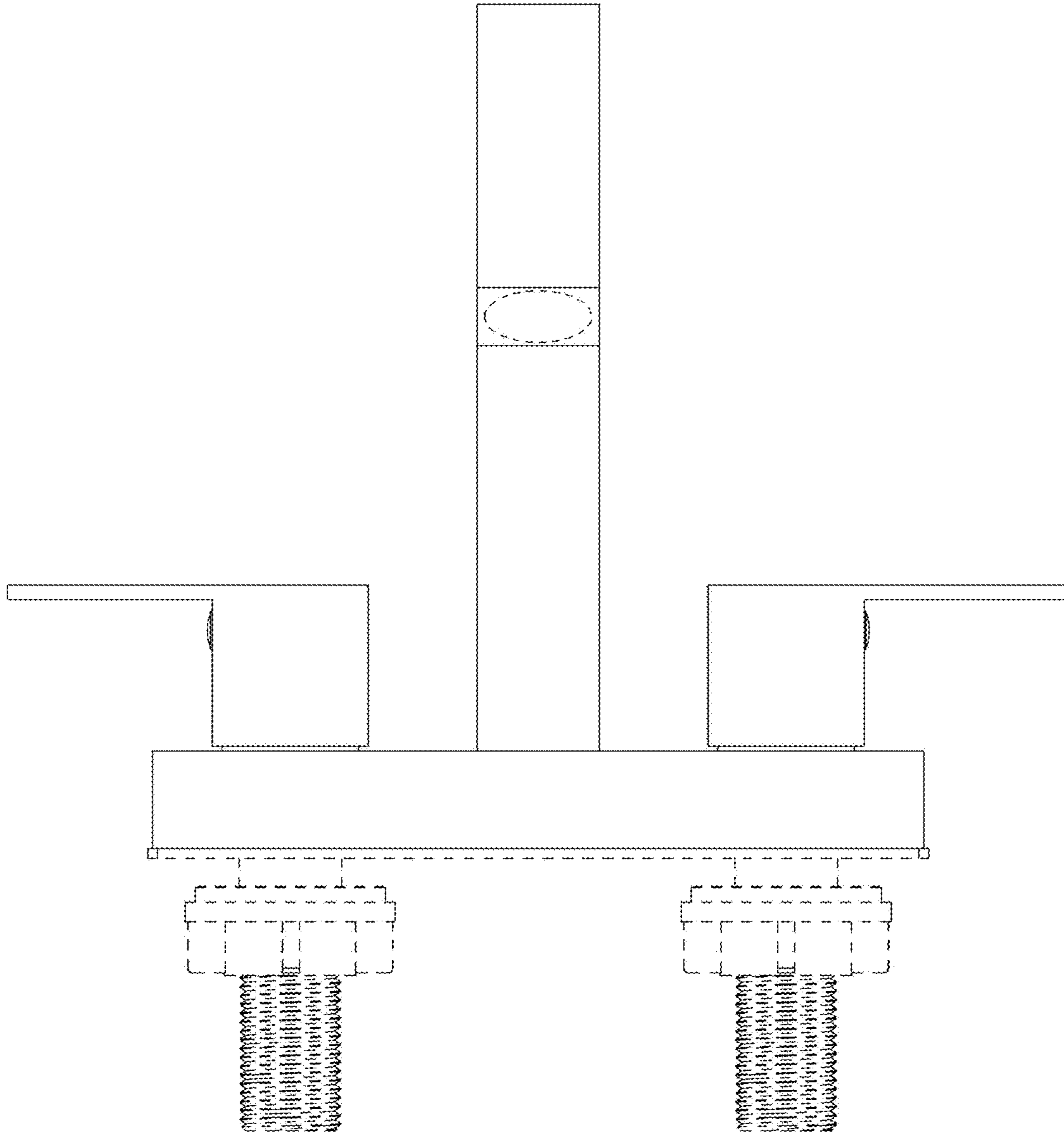


FIG. 2

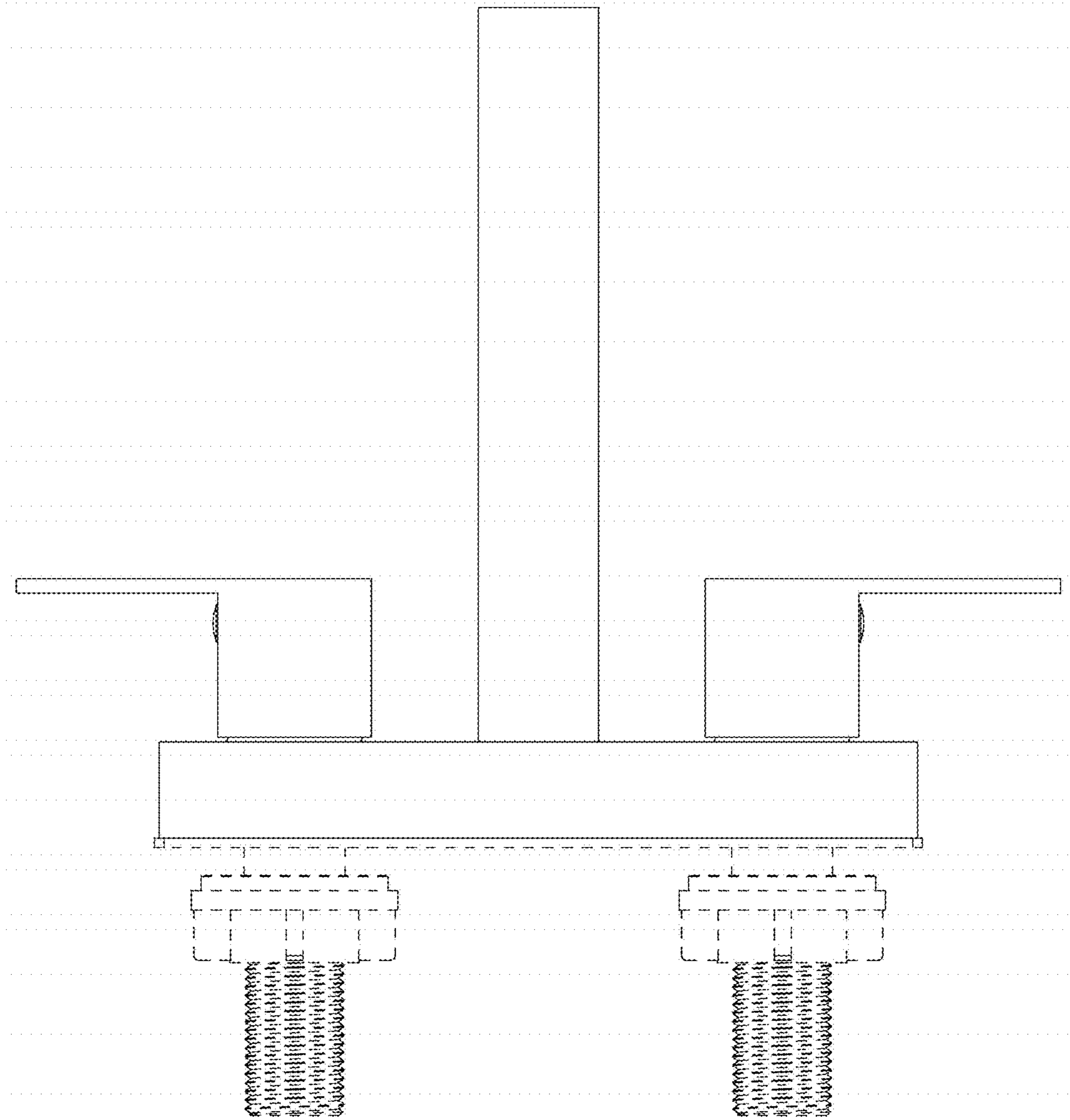


FIG. 3

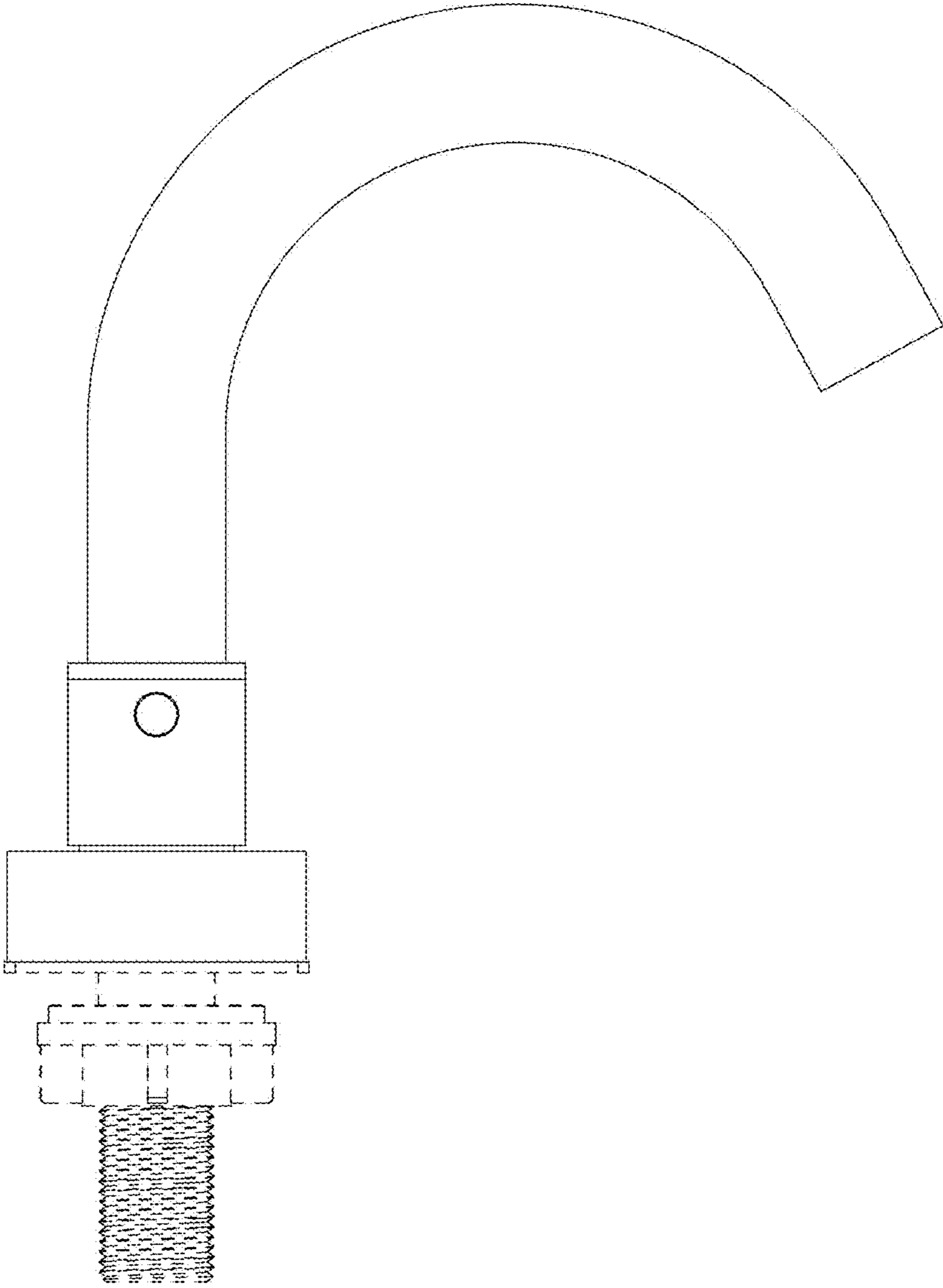


FIG. 4

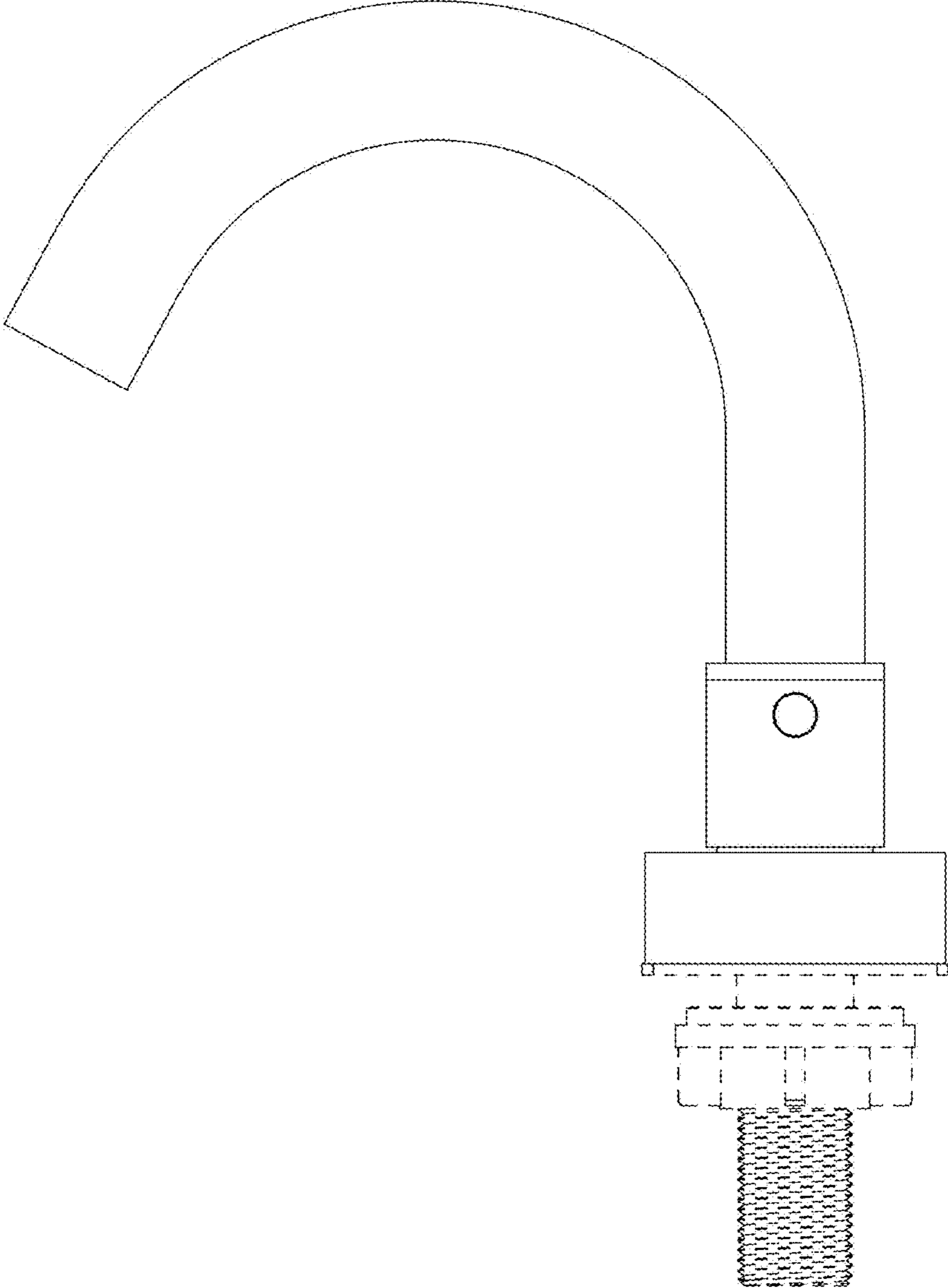


FIG. 5

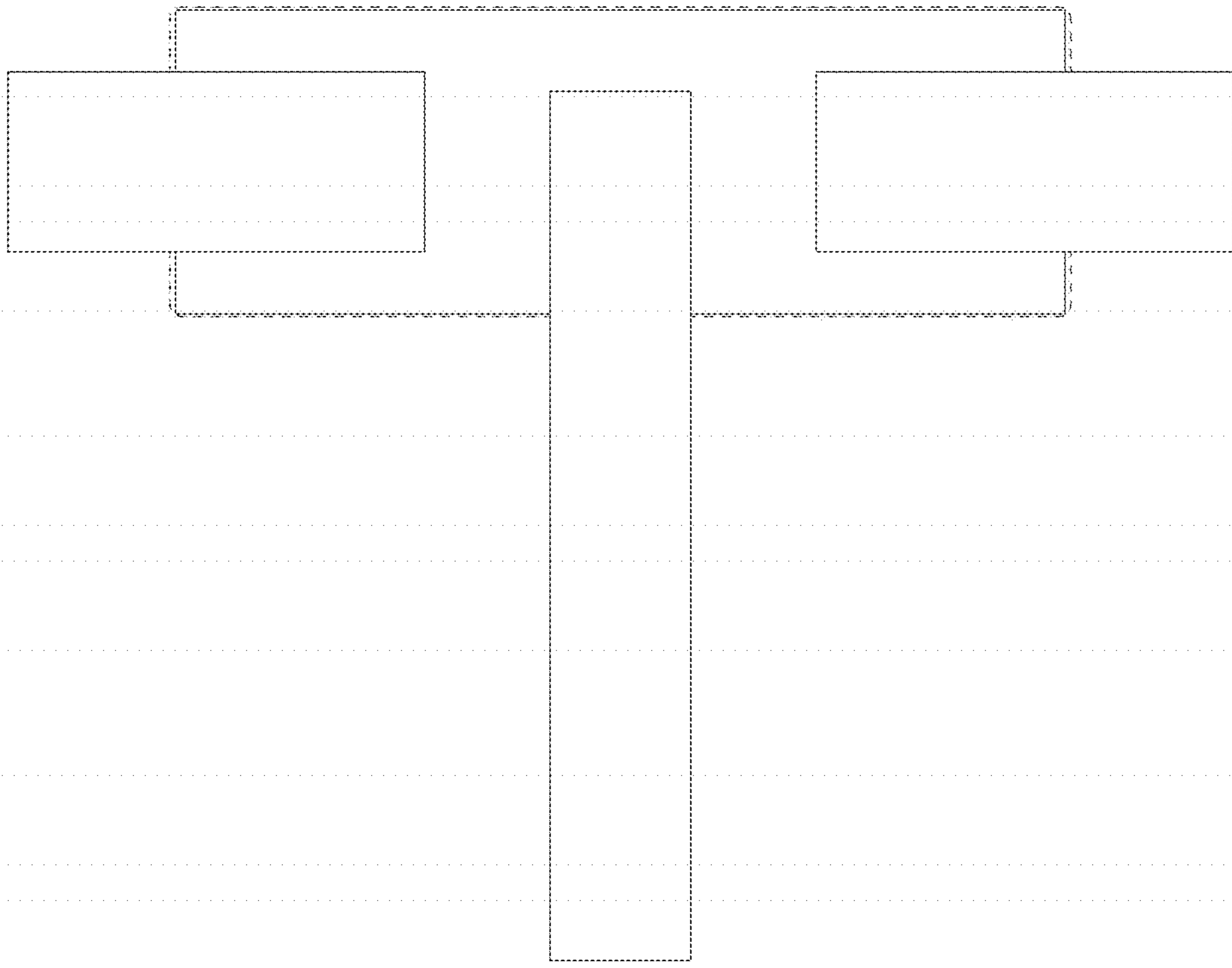


FIG. 6

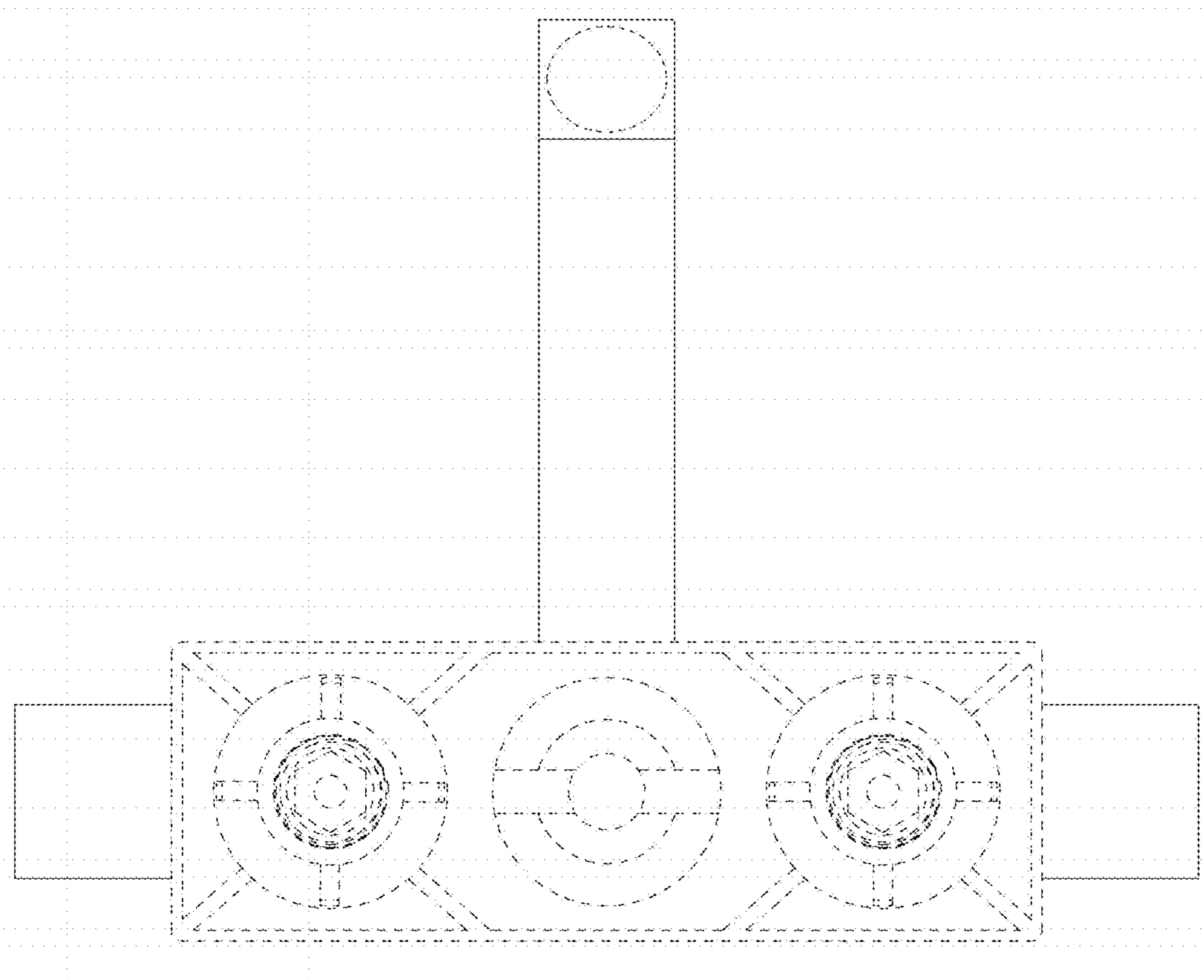


FIG. 7

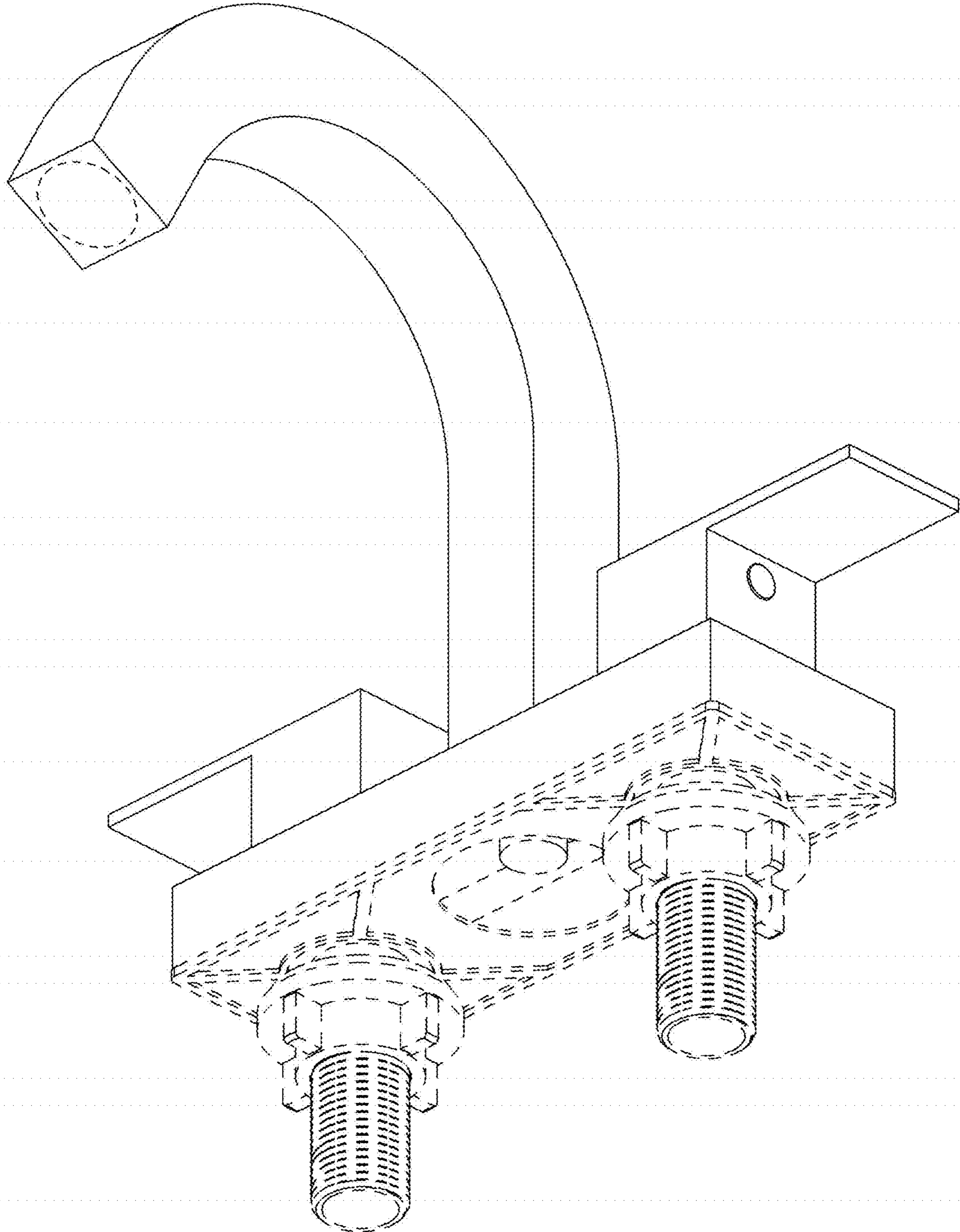


FIG. 8