



US00D961051S

(12) **United States Design Patent**
Zeng

(10) **Patent No.:** **US D961,051 S**

(45) **Date of Patent:** **** Aug. 16, 2022**

(54) **FAUCET**

(71) Applicant: **Foshan Shunde Yajiasi Kitchen Cabinet Co., Ltd.**, Foshan (CN)

(72) Inventor: **Deju Zeng**, Foshan (CN)

(**) Term: **15 Years**

(21) Appl. No.: **29/747,659**

(22) Filed: **Aug. 24, 2020**

(51) **LOC (13) Cl.** **23-01**

(52) **U.S. Cl.**
USPC **D23/241**

(58) **Field of Classification Search**
USPC D23/238–243, 249–250, 252, 254–255,
D23/257; D8/307–308
See application file for complete search history.

(56) **References Cited**

U.S. PATENT DOCUMENTS

D767,727 S *	9/2016	Eads	D23/242
D828,507 S *	9/2018	Schoenherr	D23/238
D856,490 S *	8/2019	Seum	D23/242
D893,681 S *	8/2020	McKeone	D23/257
D916,242 S *	4/2021	Xie	D23/238

* cited by examiner

Primary Examiner — Robert A Delehanty

(74) *Attorney, Agent, or Firm* — Novoclaims Patent Services LLC; Mei Lin Wong

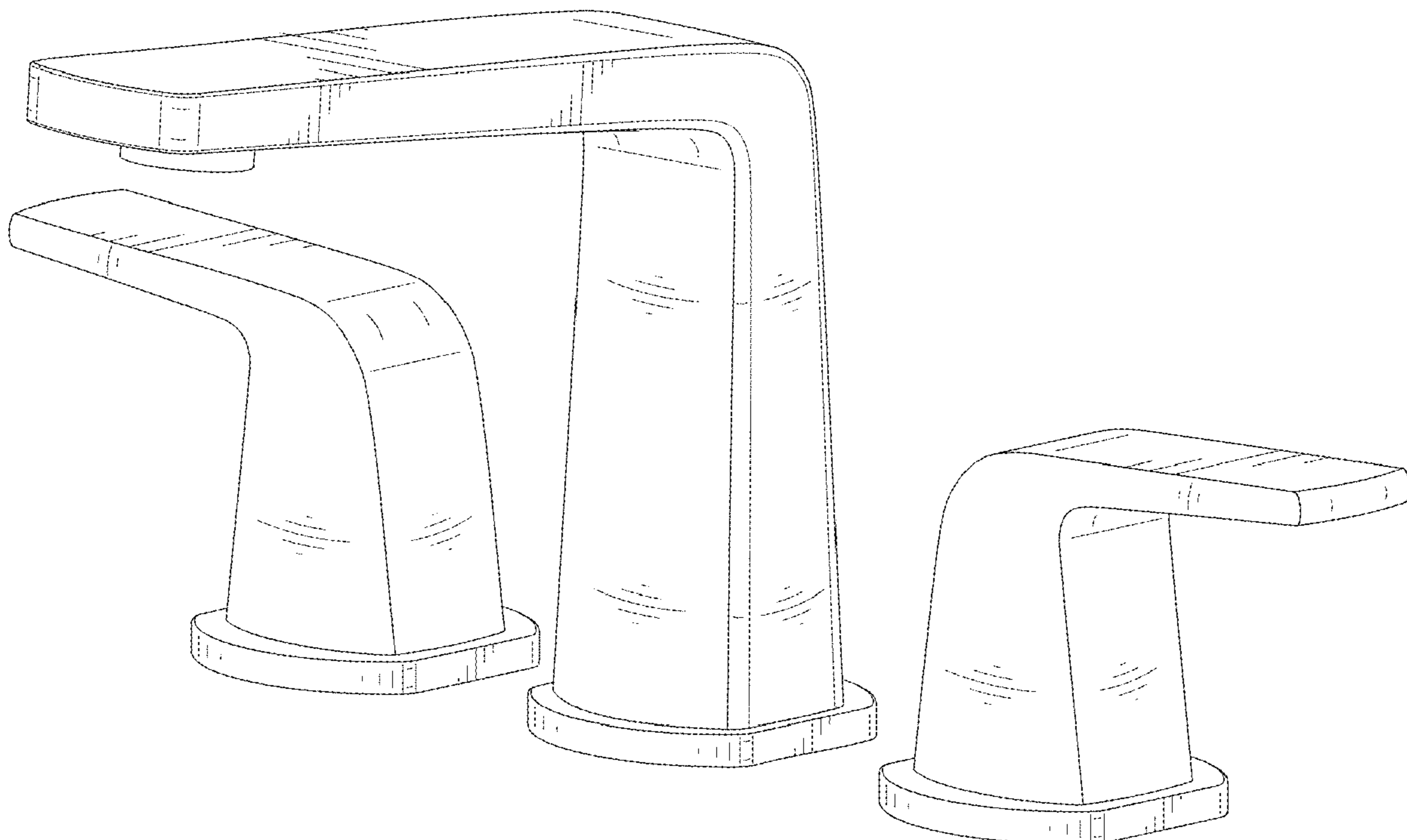
(57) **CLAIM**

The ornamental design for a faucet, as shown and described.

DESCRIPTION

FIG. 1 is a front perspective view of a faucet, showing my new design.
FIG. 2 is a bottom perspective view thereof.
FIG. 3 is a rear perspective view thereof.
FIG. 4 is a front view thereof.
FIG. 5 is a rear view thereof.
FIG. 6 is a left side view thereof.
FIG. 7 is a right side view thereof.
FIG. 8 is a top view thereof; and,
FIG. 9 is a bottom view thereof.
The broken lines in the drawings depict portions of the faucet and form no part of the claimed design.

1 Claim, 9 Drawing Sheets



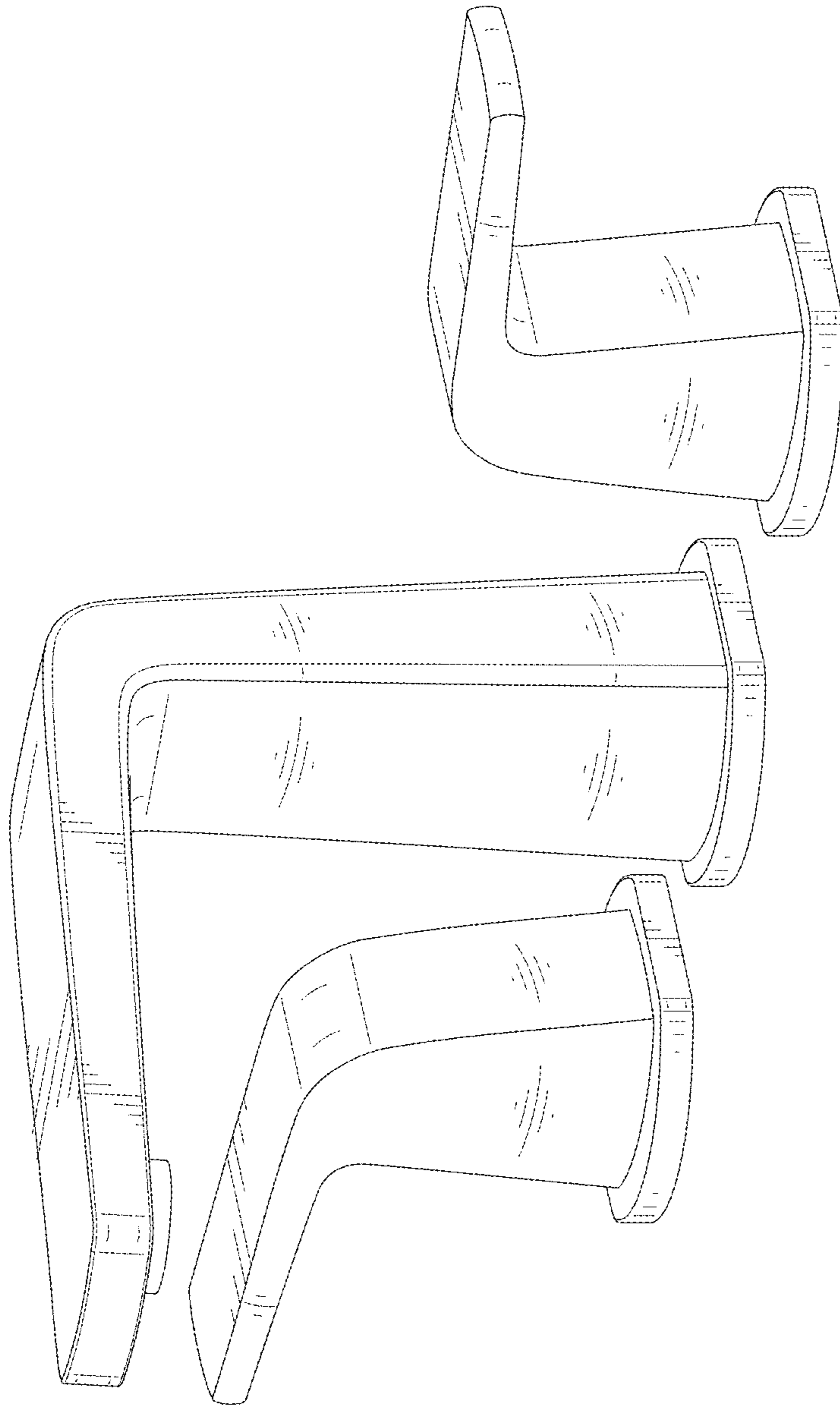


FIG.1

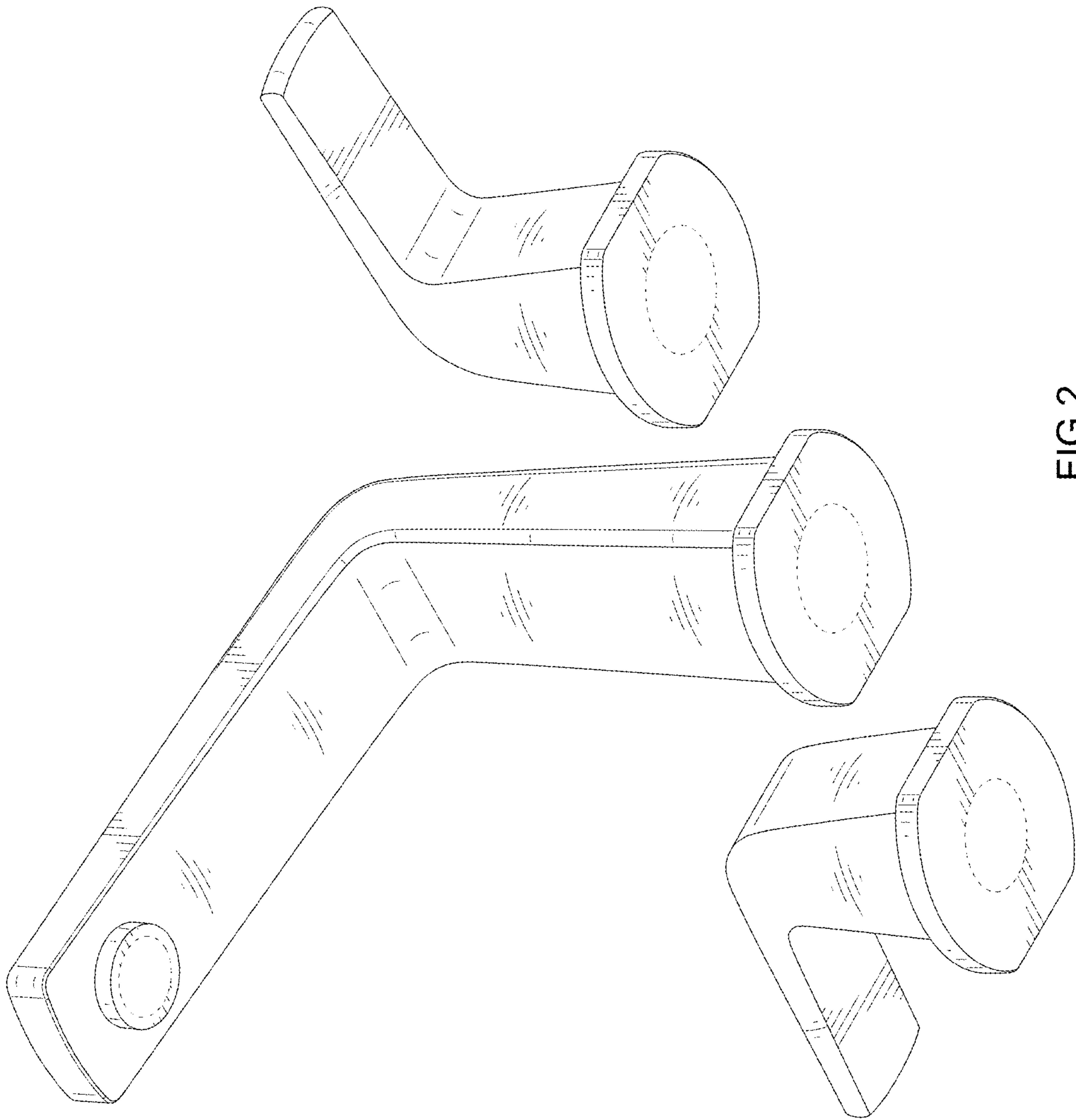


FIG.2

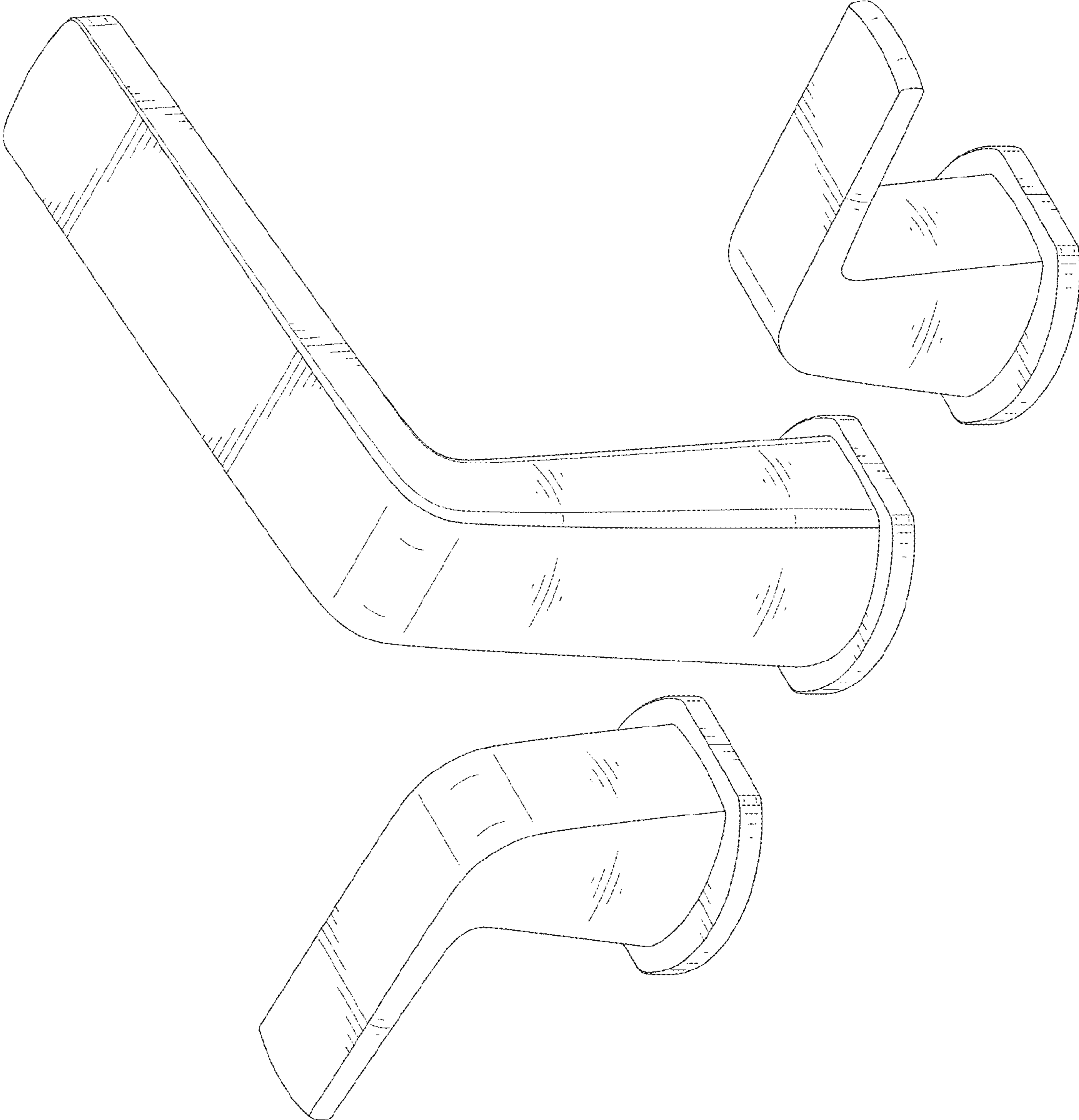


FIG.3

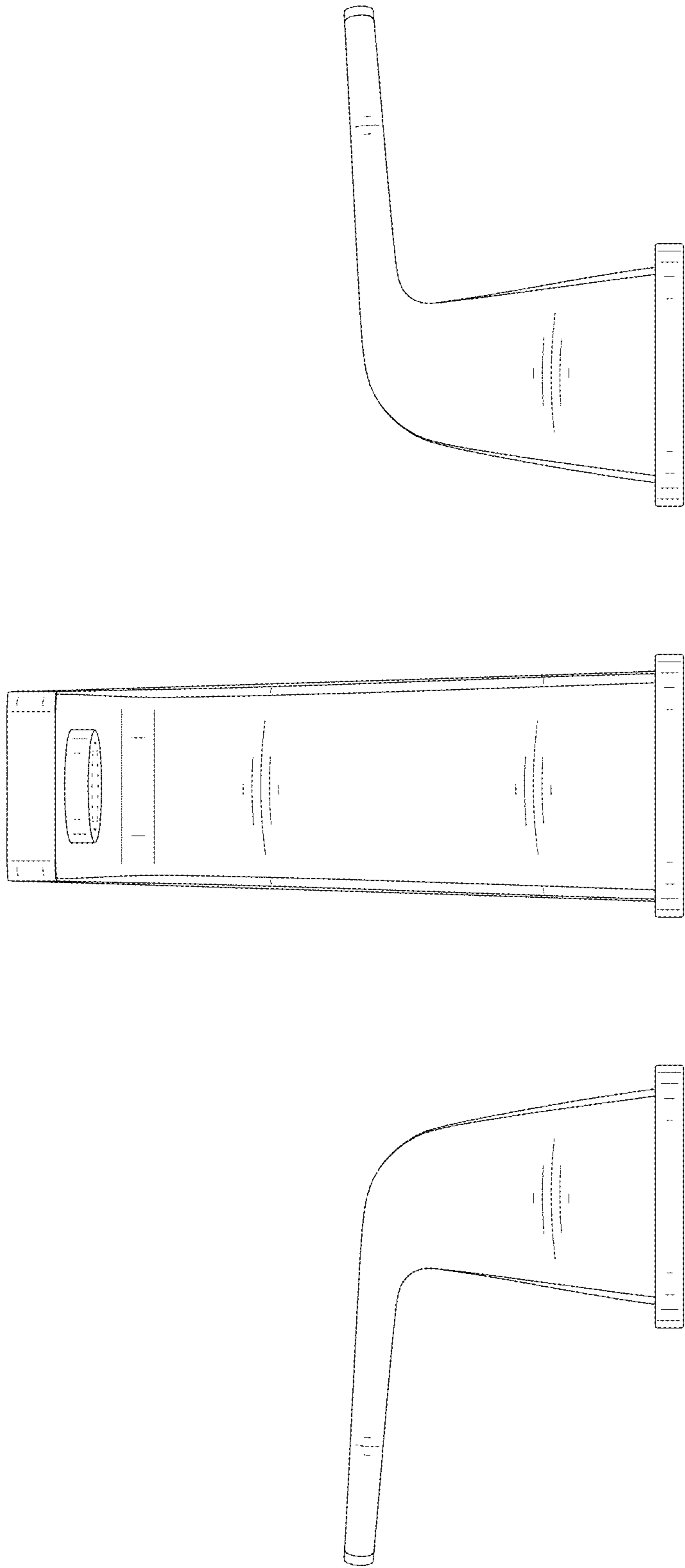


FIG.4

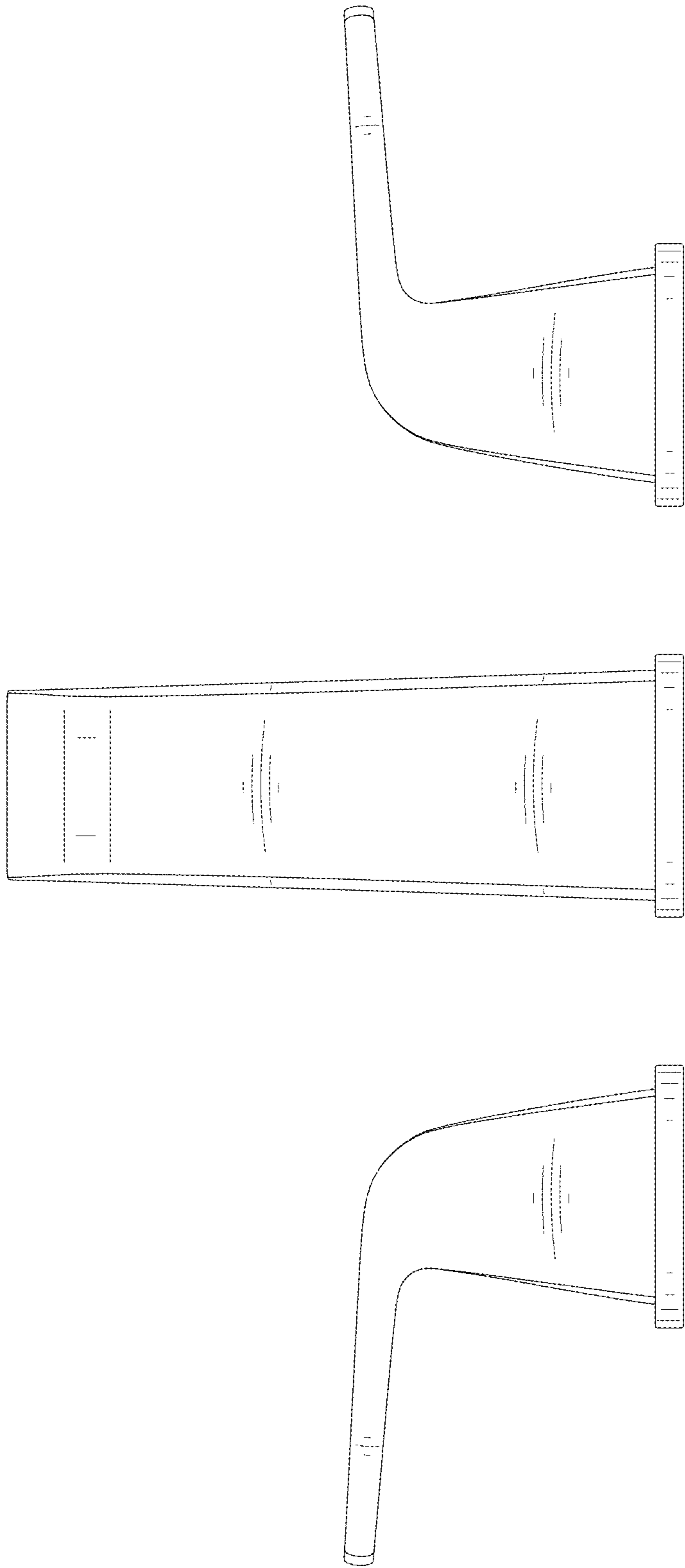


FIG.5

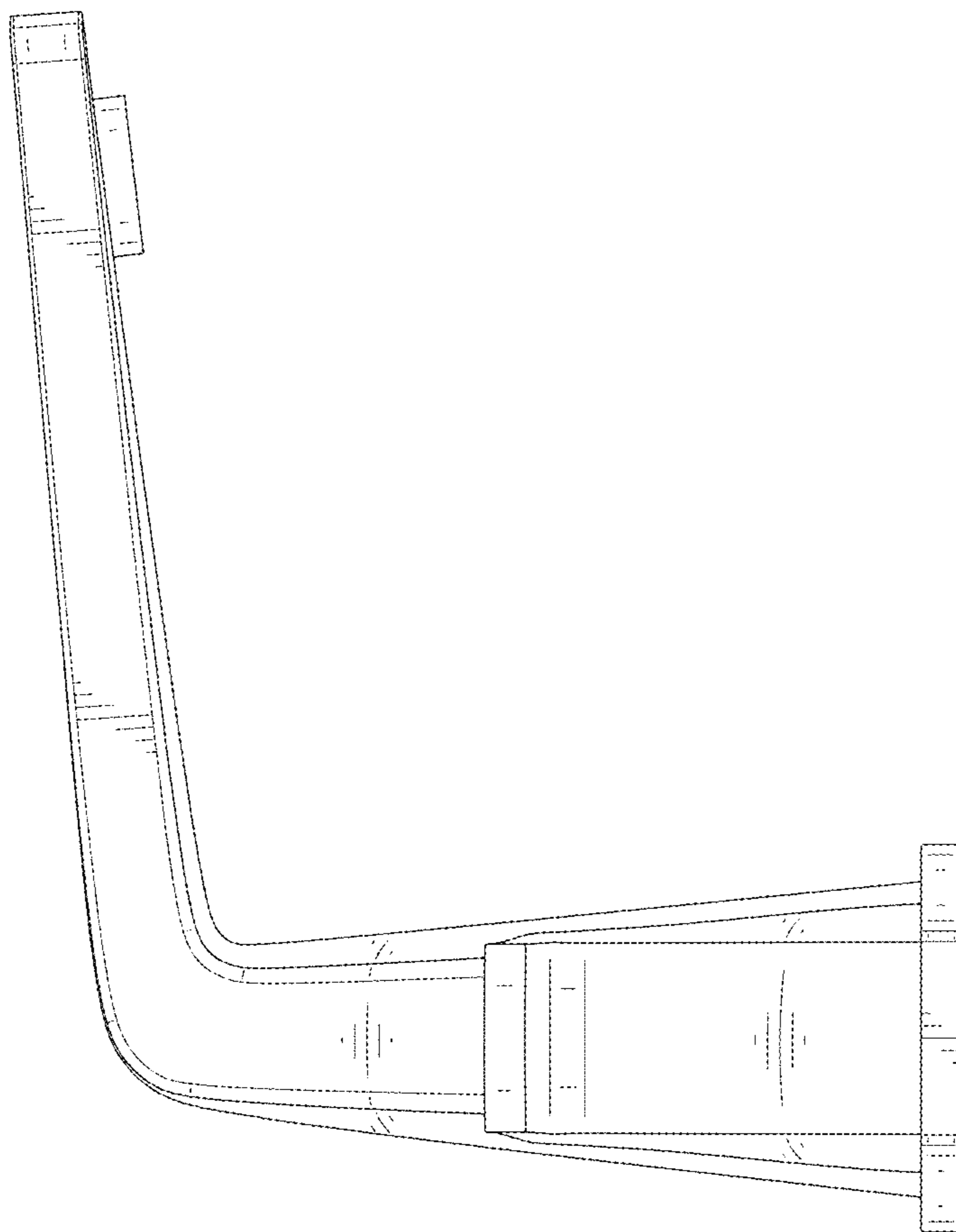


FIG.6

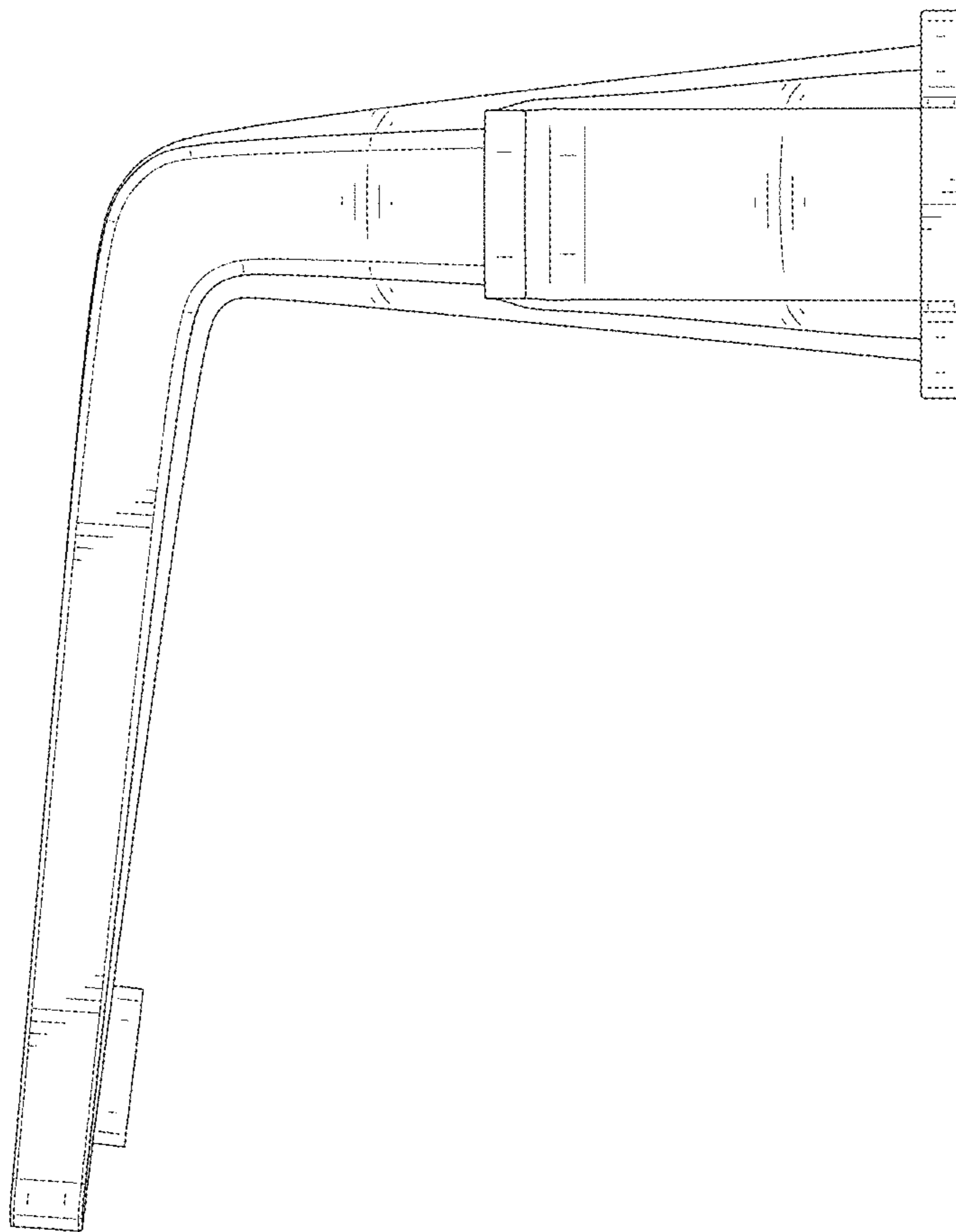


FIG.7

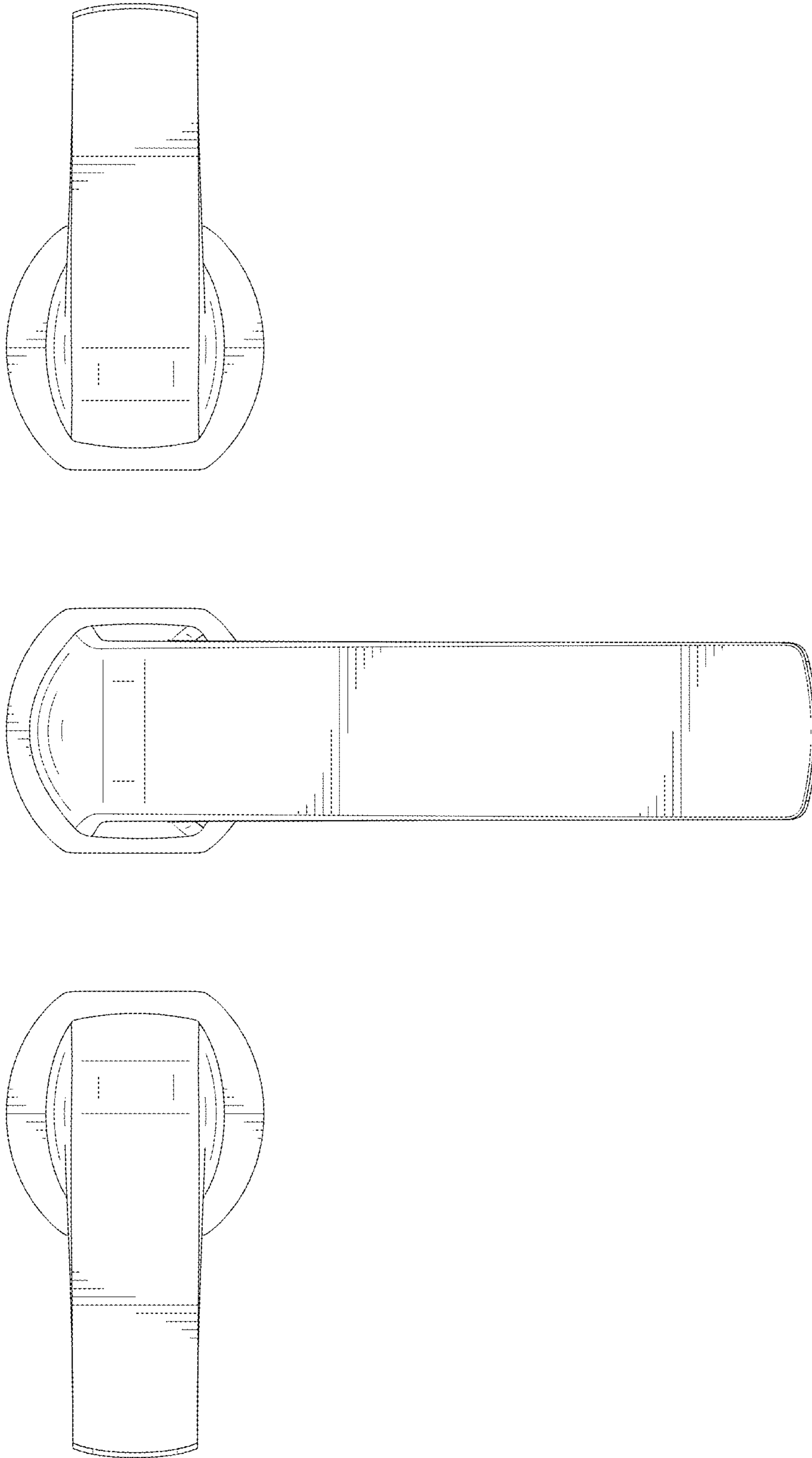


FIG.8

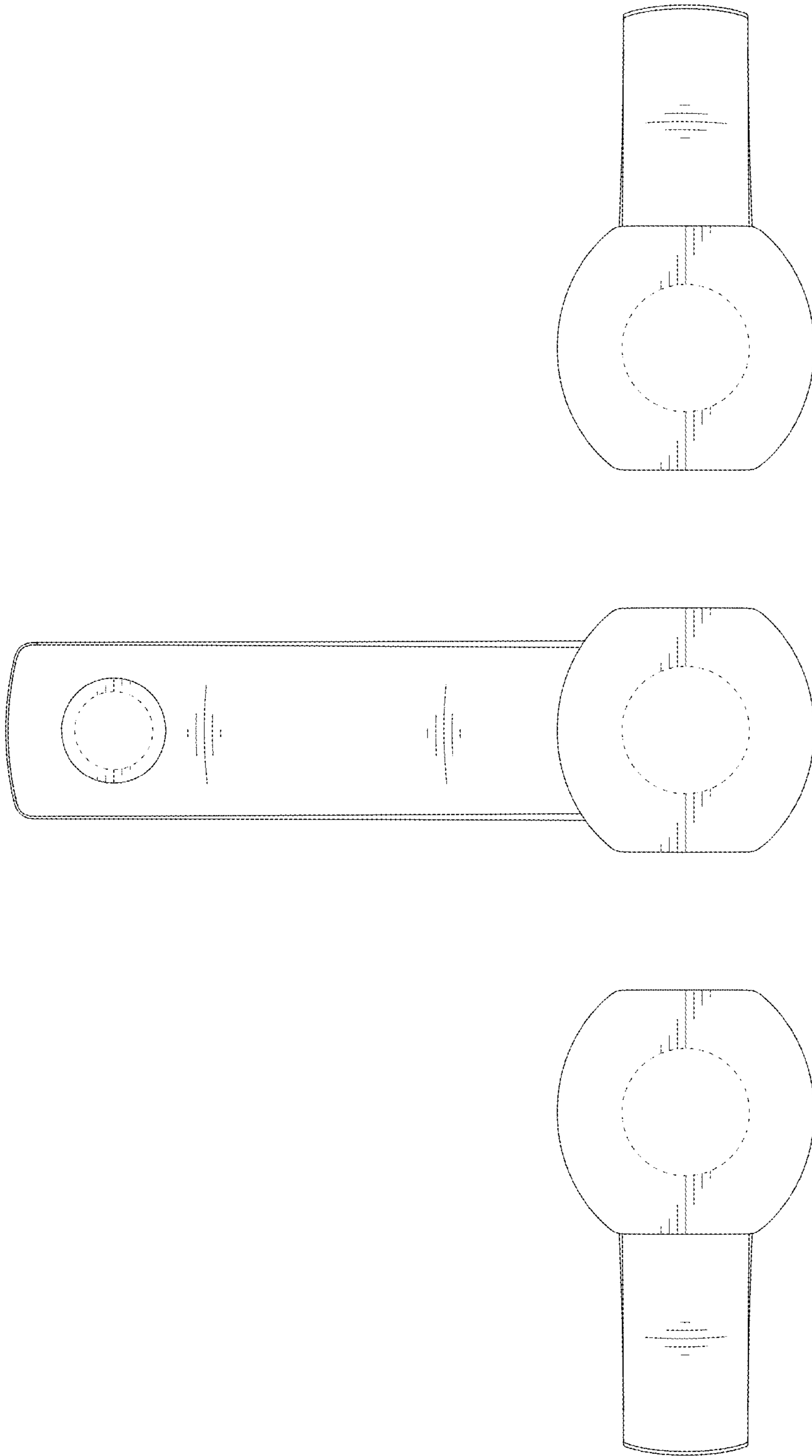


FIG. 9