



US00D961048S

(12) **United States Design Patent** (10) **Patent No.:** **US D961,048 S**
He (45) **Date of Patent:** **** Aug. 16, 2022**

(54) **HANDHELD SHOWER HEAD**
(71) Applicant: **XIAMEN DELMEI SANITARY WARE CO., LTD.**, Xiamen (CN)
(72) Inventor: **Xusheng He**, Xiamen (CN)
(73) Assignee: **XIAMEN DELMEI SANITARY WARE CO., LTD.**, Xiamen (CN)

D858,700 S * 9/2019 Stoler D23/223
D861,129 S * 9/2019 Logar D23/223
D864,350 S * 10/2019 Logar D23/223
D869,608 S * 12/2019 Seum D23/223
D879,247 S * 3/2020 Stoler D23/223
D900,963 S * 11/2020 Wu D23/223
D917,663 S * 4/2021 Yan D23/223
D919,747 S * 5/2021 Lin D23/223

(**) Term: **15 Years**
(21) Appl. No.: **29/771,741**
(22) Filed: **Feb. 25, 2021**

(30) **Foreign Application Priority Data**

Sep. 9, 2020 (CN) 202030532704.X

(51) **LOC (13) Cl.** **23-01**

(52) **U.S. Cl.**
USPC **D23/223**

(58) **Field of Classification Search**
USPC D23/213, 214, 215, 221-222, 223, 224,
D23/226, 229, 230

CPC A61H 9/0021; A61H 33/00; B05B 1/00;
B05B 1/14; B05B 1/185; B05B 1/08;
B05B 1/02; B05B 1/26; B05B 12/002;
B05B 1/18; B05B 9/01

See application file for complete search history.

(56) **References Cited**

U.S. PATENT DOCUMENTS

D590,916 S * 4/2009 Schoenherr D23/223
D590,917 S * 4/2009 Schoenherr D23/223
D655,387 S * 3/2012 Schoenherr D23/223
D655,783 S * 3/2012 Schoenherr D23/223
D669,156 S * 10/2012 Schoenherr D23/223
D713,004 S * 9/2014 Schoenherr D23/223
D713,498 S * 9/2014 Schoenherr D23/223
D724,180 S * 3/2015 Lin D23/213

OTHER PUBLICATIONS

GROHE 26552000 Rainshower SmartActive Hand Shower, Oct. 17, 2020, amazon.ca, Apr. 12, 2022, URL: https://www.amazon.ca/dp/B081K9LZXQ/ref=sbl_dpx_ca-home-improvement-bathroom-handheld-showerheads_B09JSRSPLX_0? (Year: 2020).*
Hansgrohe 4528000 Raindance Select E120 Low Flow 2.0 GPM Hand Shower, Dec. 9, 2014, amazon.ca, Apr. 12, 2022, URL: https://www.amazon.ca/dp/B00HMHU5RM/ref=sbl_dpx_ca-home-improvement-bathroom-handheld-showerheads_B09FX4G7MQ_0 (Year: 2014).*

(Continued)

Primary Examiner — Jack Reickel
Assistant Examiner — Keith J Wilson
(74) *Attorney, Agent, or Firm* — Bayramoglu Law Offices LLC

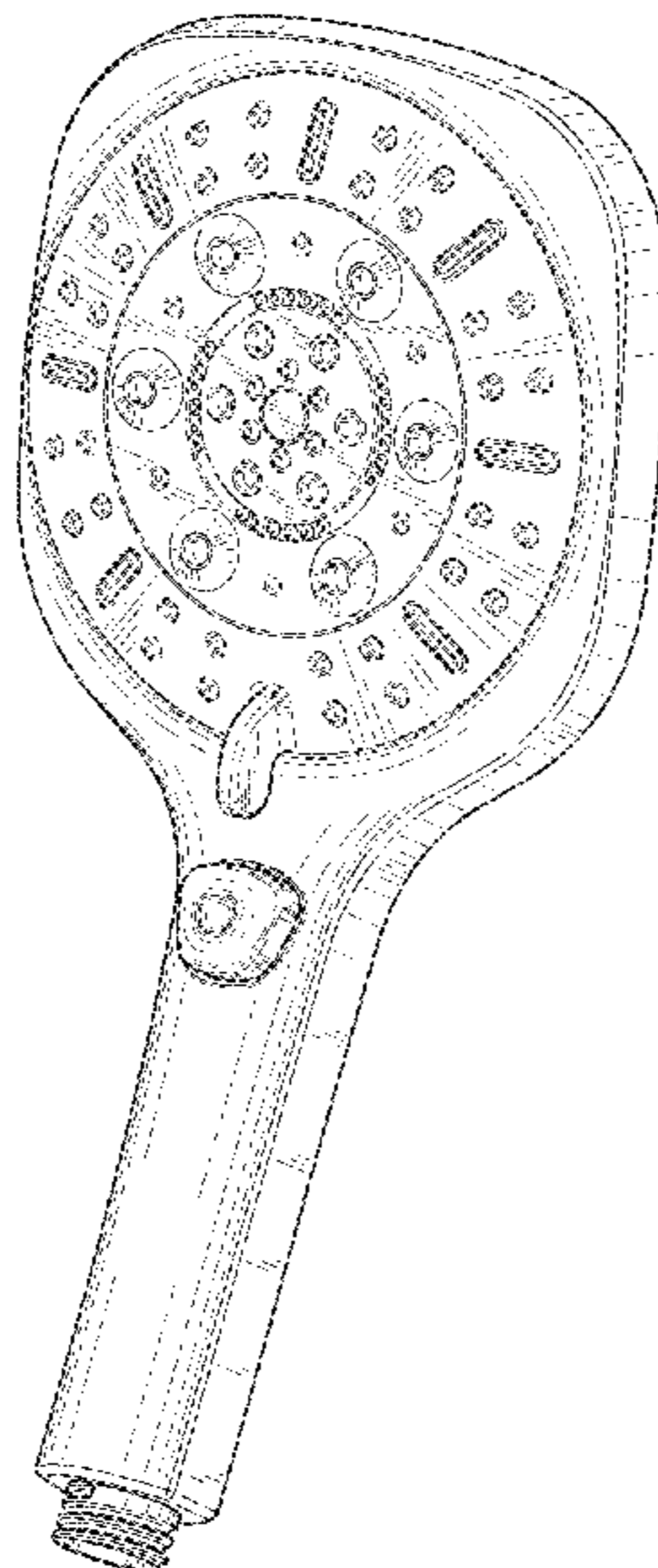
(57) **CLAIM**

The ornamental design for a handheld shower head, as shown and described.

DESCRIPTION

FIG. 1 is a perspective view of a handheld shower head showing my new design;
FIG. 2 is a front view thereof;
FIG. 3 is a rear view thereof;
FIG. 4 is a left side view thereof;
FIG. 5 is a right side view thereof;
FIG. 6 is a top view thereof; and,
FIG. 7 is a bottom view thereof.

1 Claim, 7 Drawing Sheets



(56)

References Cited

OTHER PUBLICATIONS

Pfister Hand Held Shower with 60" Hose, Polished Chrome, May 10, 2020, amazon.ca, Apr. 12, 2022, URL: https://www.amazon.ca/dp/B07Q4JRWZS/ref=sbl_dpx_ca-home-improvement-bathroom-handheld-showerheads_B018J1APT2_0 (Year: 2020).*

Hand-held Shower Sprinkler Without Hose and Wall Base, May 25, 2019, amazon.ca, Apr. 12, 2022, URL: https://www.amazon.ca/dp/B07SBN2HK3/ref=sbl_dpx_ca-home-improvement-bathroom-handheld-showerheads_B09L85LYF5_0 (Year: 2019).*

* cited by examiner

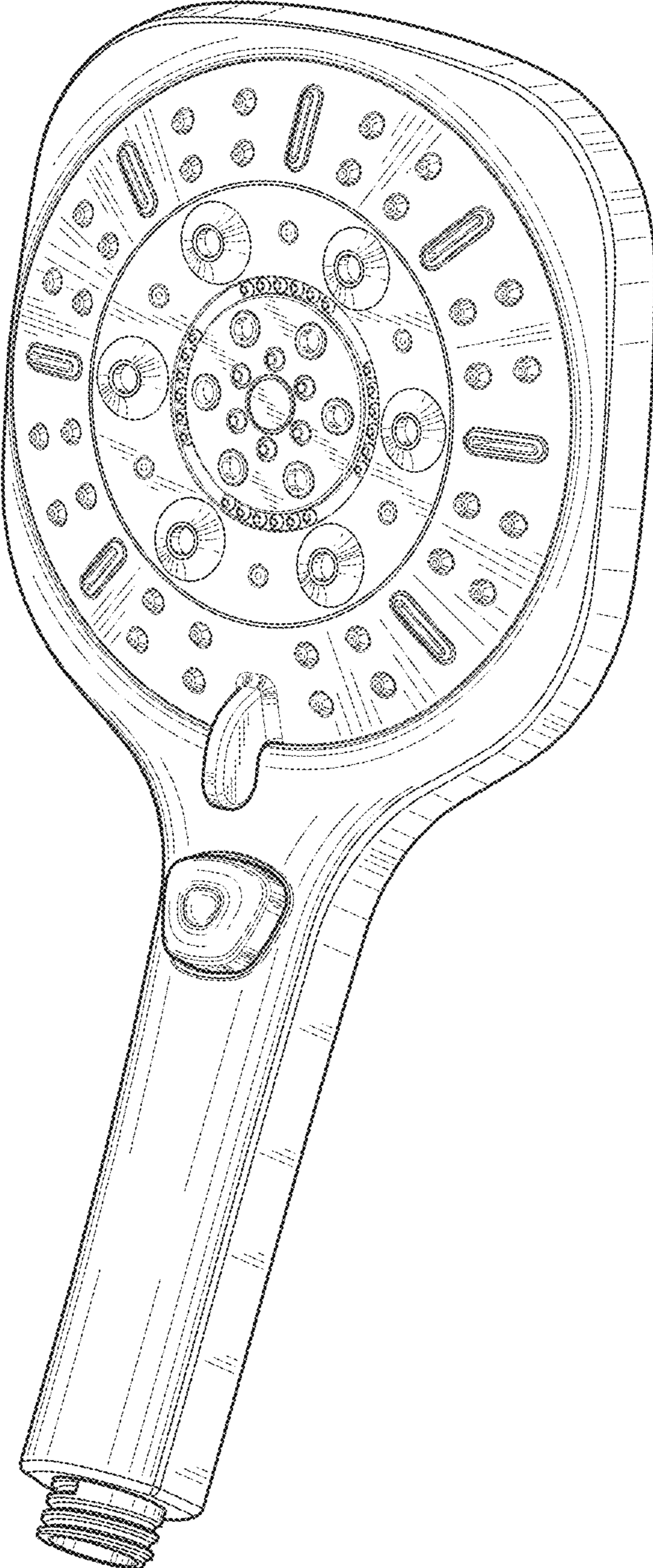


Fig. 1

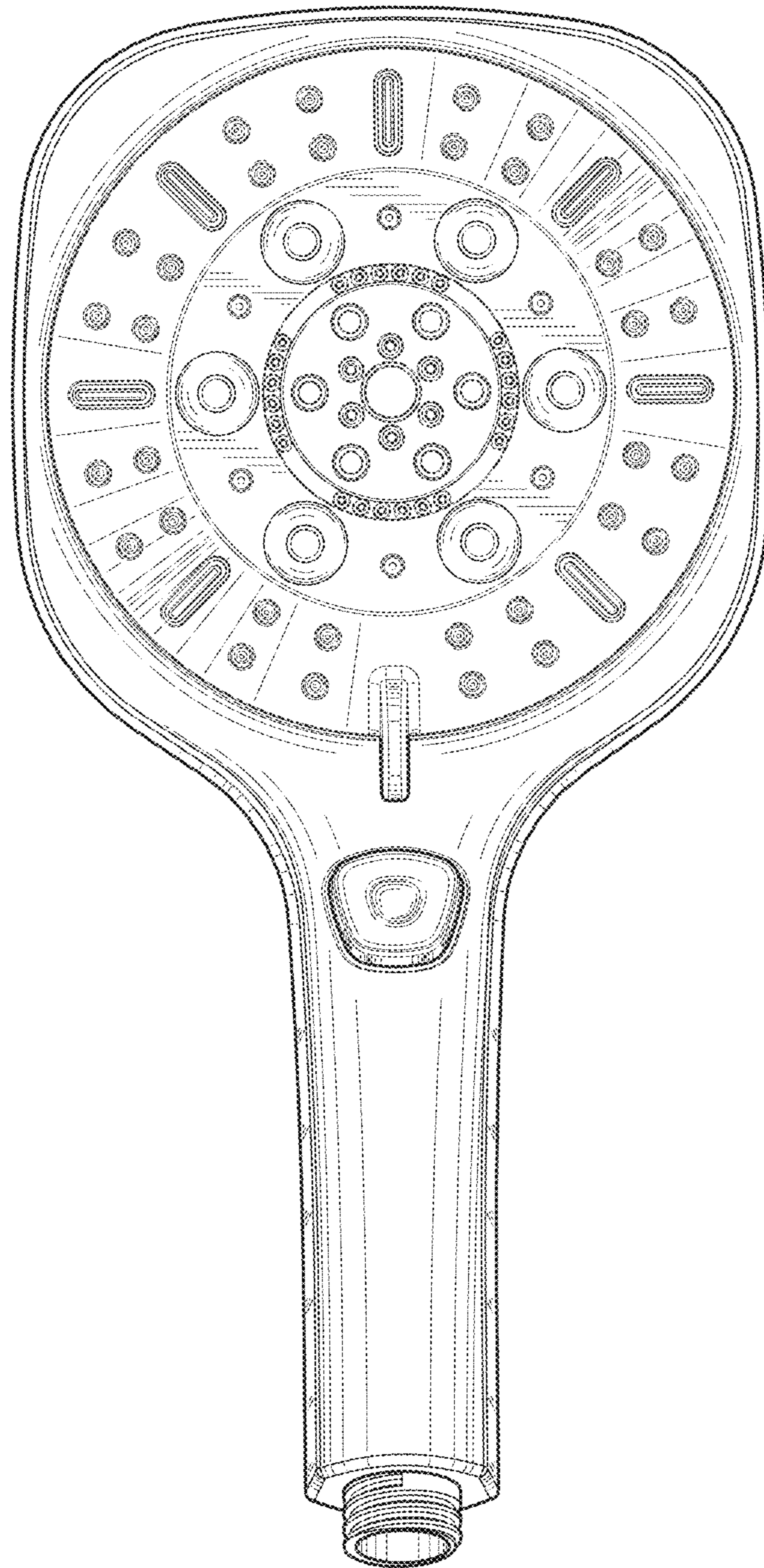


Fig. 2

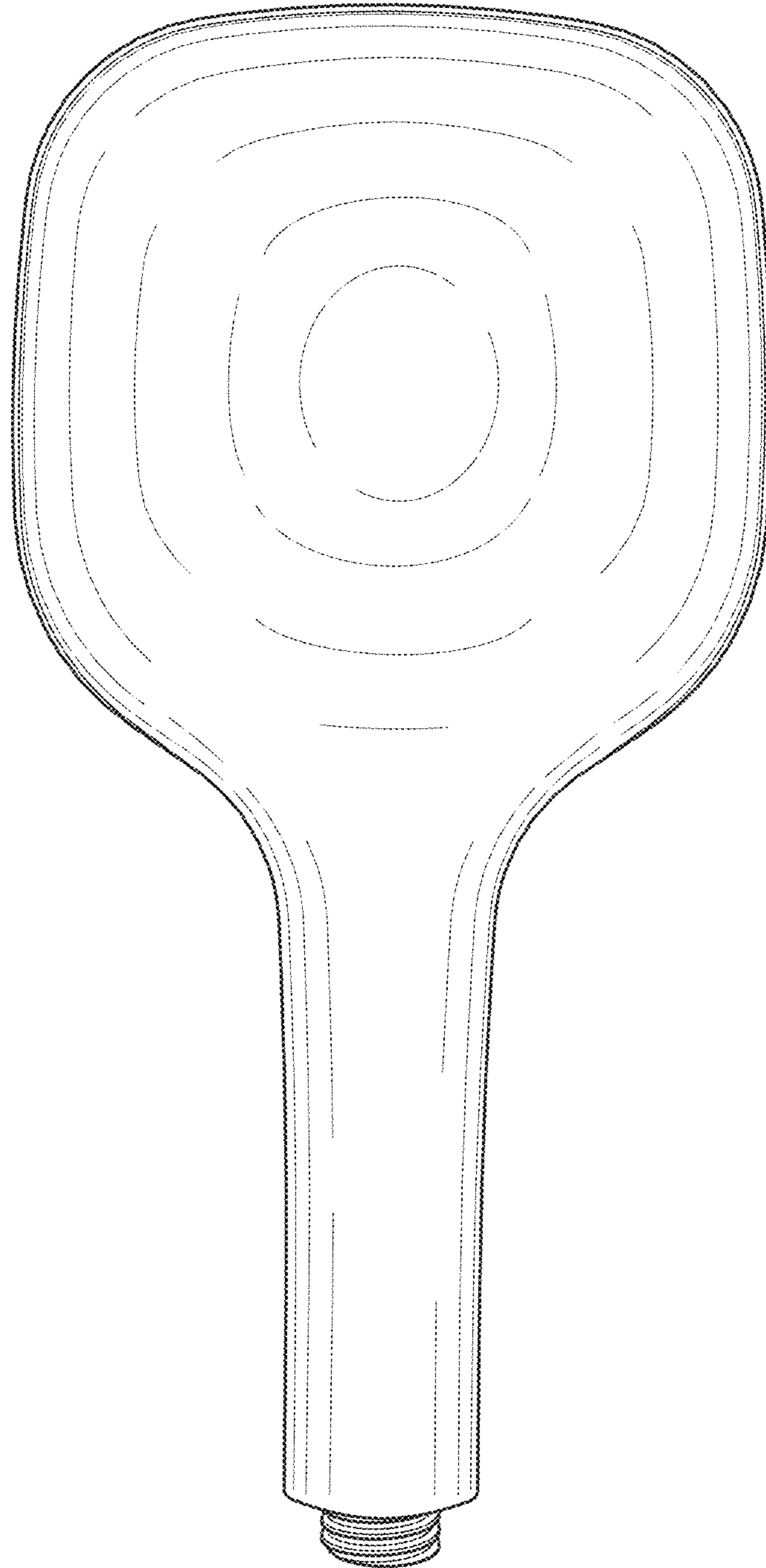


Fig. 3

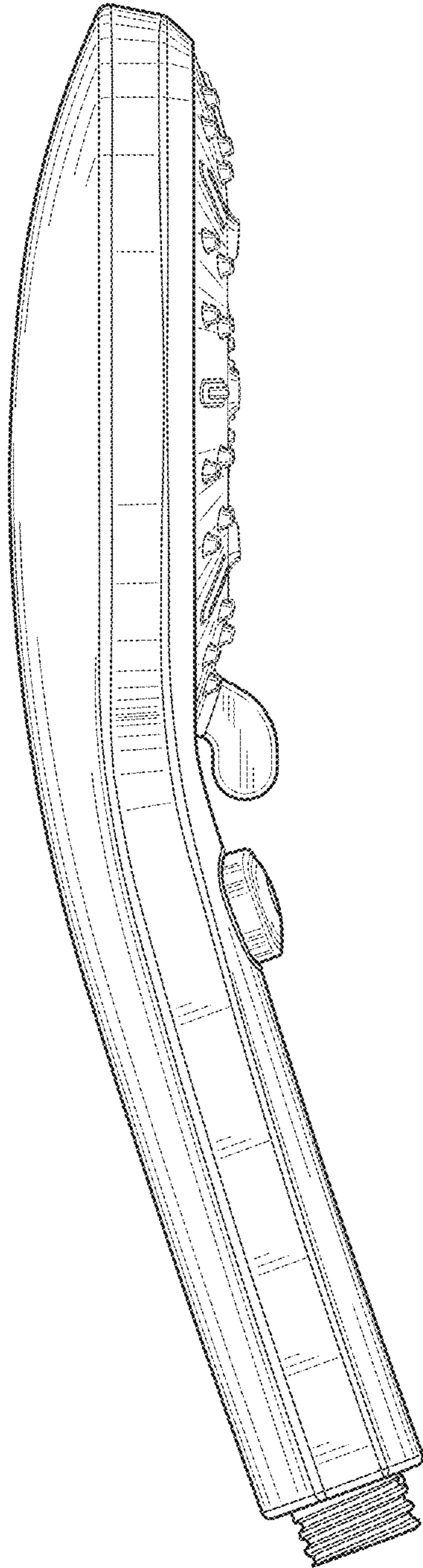


Fig. 4

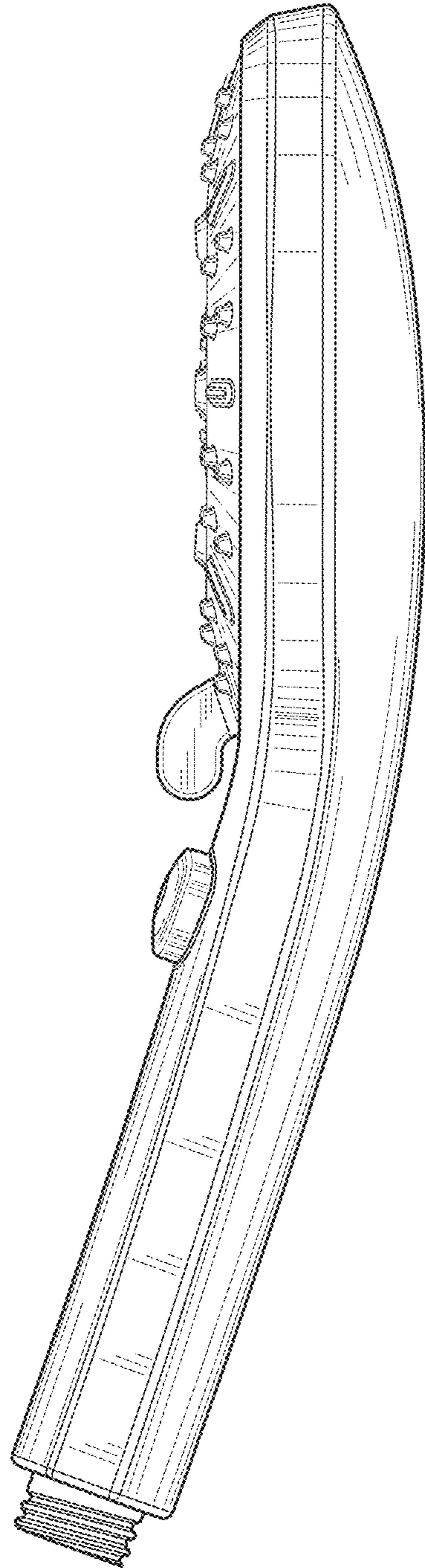


Fig. 5

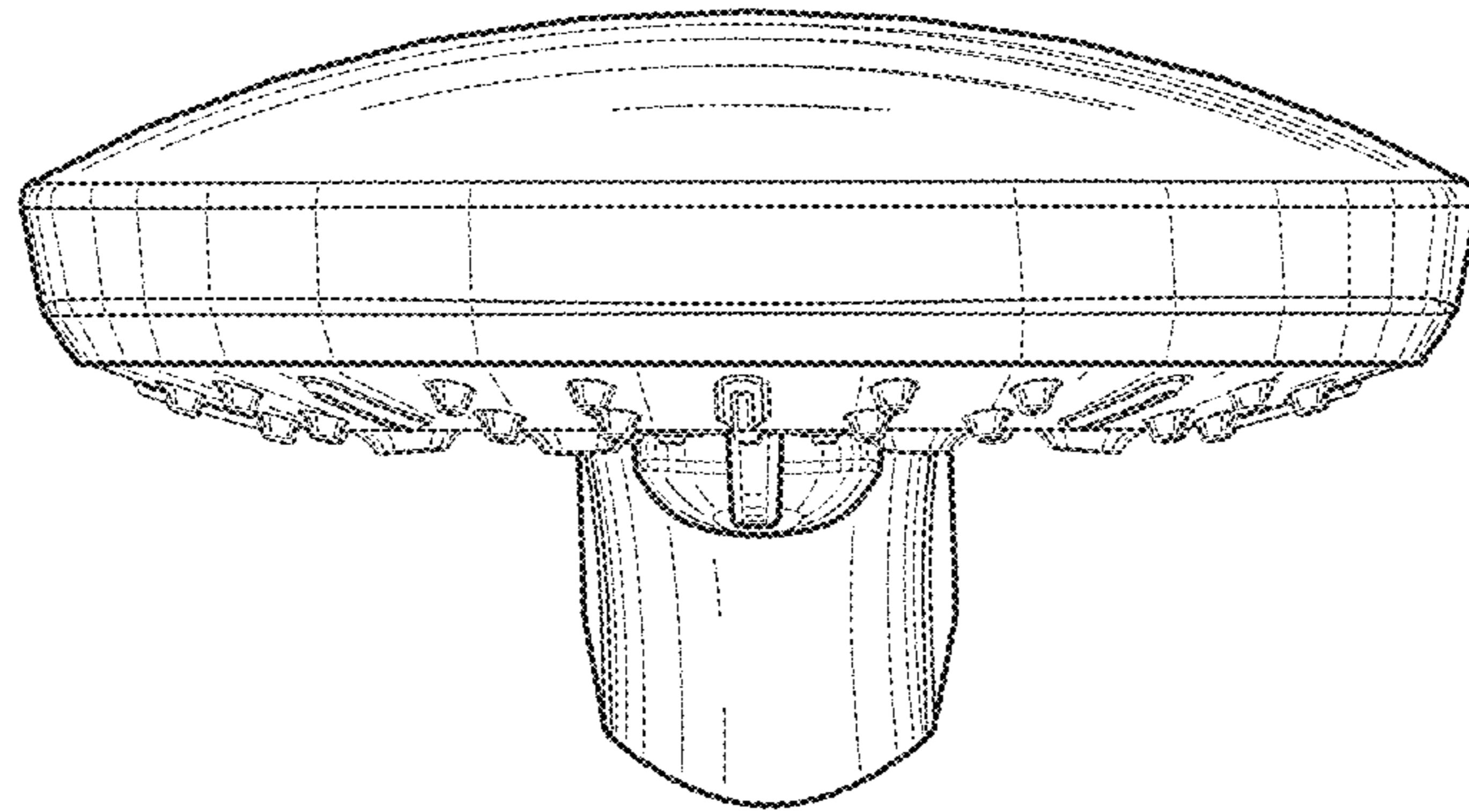


Fig. 6

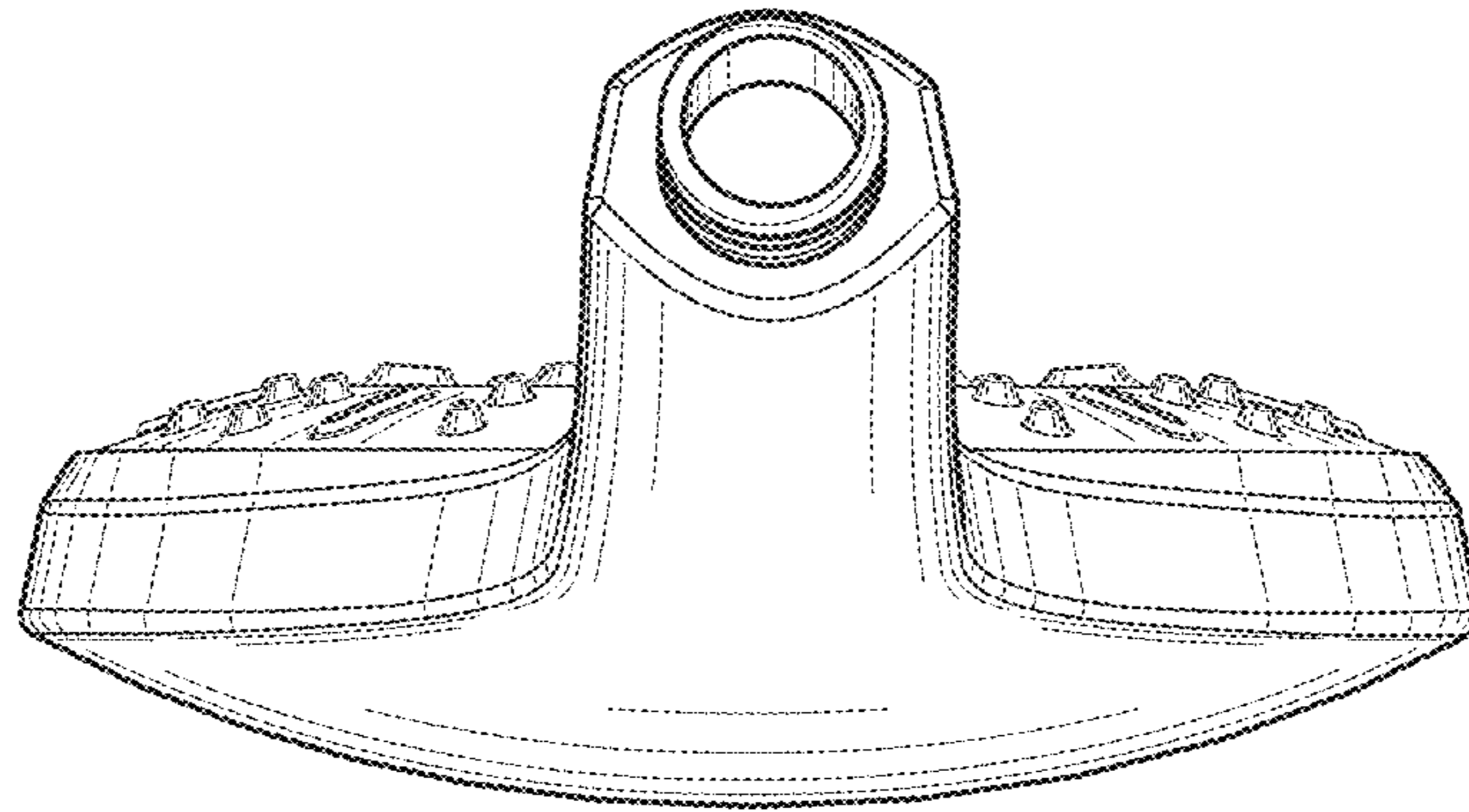


Fig. 7