

US00D961044S

(12) **United States Design Patent** (10) **Patent No.:** **US D961,044 S**  
**Baeten et al.** (45) **Date of Patent:** **\*\* Aug. 16, 2022**

- (54) **MINIMAL WASTE DISPENSING TIP**
- (71) Applicant: **Inter-Med, Inc.**, Racine, WI (US)
- (72) Inventors: **John Baeten**, Muskego, WI (US);  
**Alexander D. Johnson**, Mount Pleasant, WI (US)
- (73) Assignee: **Inter-Med, Inc.**, Racine, WI (US)
- (\*\*) Term: **15 Years**
- (21) Appl. No.: **29/792,885**
- (22) Filed: **Apr. 28, 2022**

11,313,501 B2 \* 4/2022 Chen ..... B05B 15/65  
 2012/0255890 A1 \* 10/2012 Cumberland ..... C02F 1/003  
 210/232  
 2022/0065374 A1 \* 3/2022 Xie ..... F16L 37/123  
 2022/0072567 A1 \* 3/2022 Kuo ..... B05B 1/14

**OTHER PUBLICATIONS**

Litorange 2 PCS Lead-Free Brass Winterize Sprinkler Systems: Air Compressor 1/4" Quick Connect Plug, Jan. 30, 2019, amazon.ca, May 20, 2022, URL: <https://www.amazon.ca/dp/B07KWZHM8B/> (Year: 2019).\*

Iwata-Medea—Kustom Fluid Nozzle 0.5Mm, May 18, 2016, amazon.ca, May 20, 2022, URL: <https://www.amazon.ca/Iwata-Medea-Iwata-Nozzle-Hp-Th/dp/B00A6WFIUY/> (Year: 2016).\*

\* cited by examiner

*Primary Examiner* — Keith J Wilson

(74) *Attorney, Agent, or Firm* — Barnes & Thornburg LLP; Ryan L. Marshall

- Related U.S. Application Data**
- (62) Division of application No. 29/692,825, filed on May 29, 2019.
  - (51) **LOC (13) Cl.** ..... **23-01**
  - (52) **U.S. Cl.**  
USPC ..... **D23/209**
  - (58) **Field of Classification Search**  
USPC ..... D23/213, 214, 215, 222, 223, 224, 226,  
D23/229, 230  
CPC ..... A61H 9/0021; A61H 33/00; B05B 1/00;  
B05B 1/14; B05B 1/185; B05B 1/08;  
B05B 1/02; B05B 1/26; B05B 12/002;  
B05B 1/18; B05B 9/01  
See application file for complete search history.

(57) **CLAIM**

We claim the ornamental design for a minimal waste dispensing tip, as shown and described.

**DESCRIPTION**

FIG. 1 is a top perspective view of a minimal waste dispensing tip;  
 FIG. 2 is a front elevation view thereof, where a rear elevation view is identical to the front elevation view;  
 FIG. 3 is a left side elevation view thereof, where a right side elevation view is identical to the left side elevation view;  
 FIG. 4 is top-to-bottom section view thereof, taken along line 4-4 of FIG. 3;  
 FIG. 5 is a top plan view thereof;  
 FIG. 6 is a bottom plan view thereof; and,  
 FIG. 7 is a bottom perspective view thereof.  
 The broken lines illustrate boundaries that form no part of the claimed design.

- (56) **References Cited**  
U.S. PATENT DOCUMENTS  
D717,396 S \* 11/2014 Hammarback ..... D23/209  
D752,177 S \* 3/2016 Enomoto ..... D23/207  
D806,831 S \* 1/2018 Zou ..... D23/209  
D846,070 S \* 4/2019 Zou ..... D23/209  
D900,277 S \* 10/2020 Albino ..... D23/207  
D946,696 S \* 3/2022 Swiatek ..... D23/207

**1 Claim, 5 Drawing Sheets**

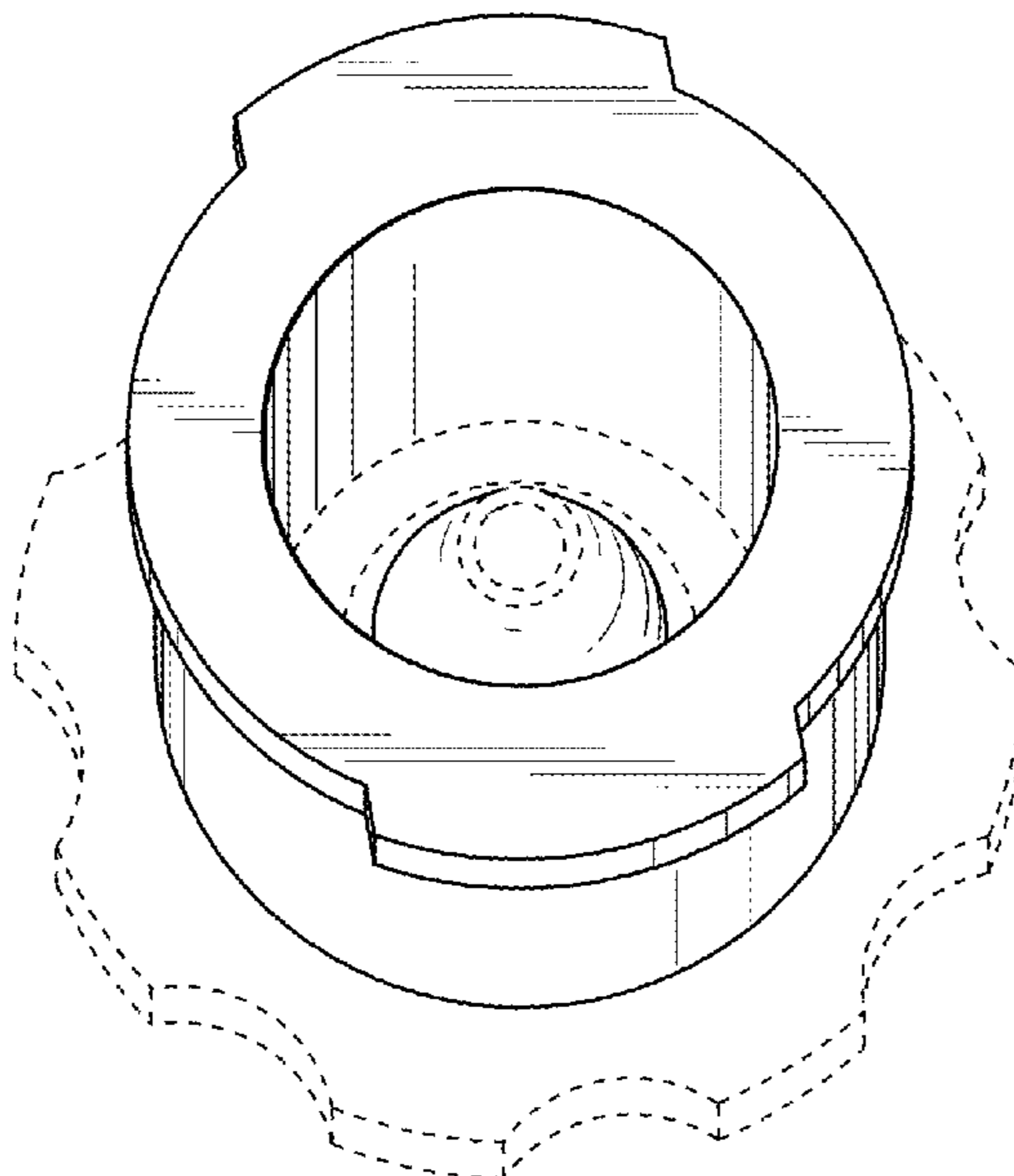


FIG. 1

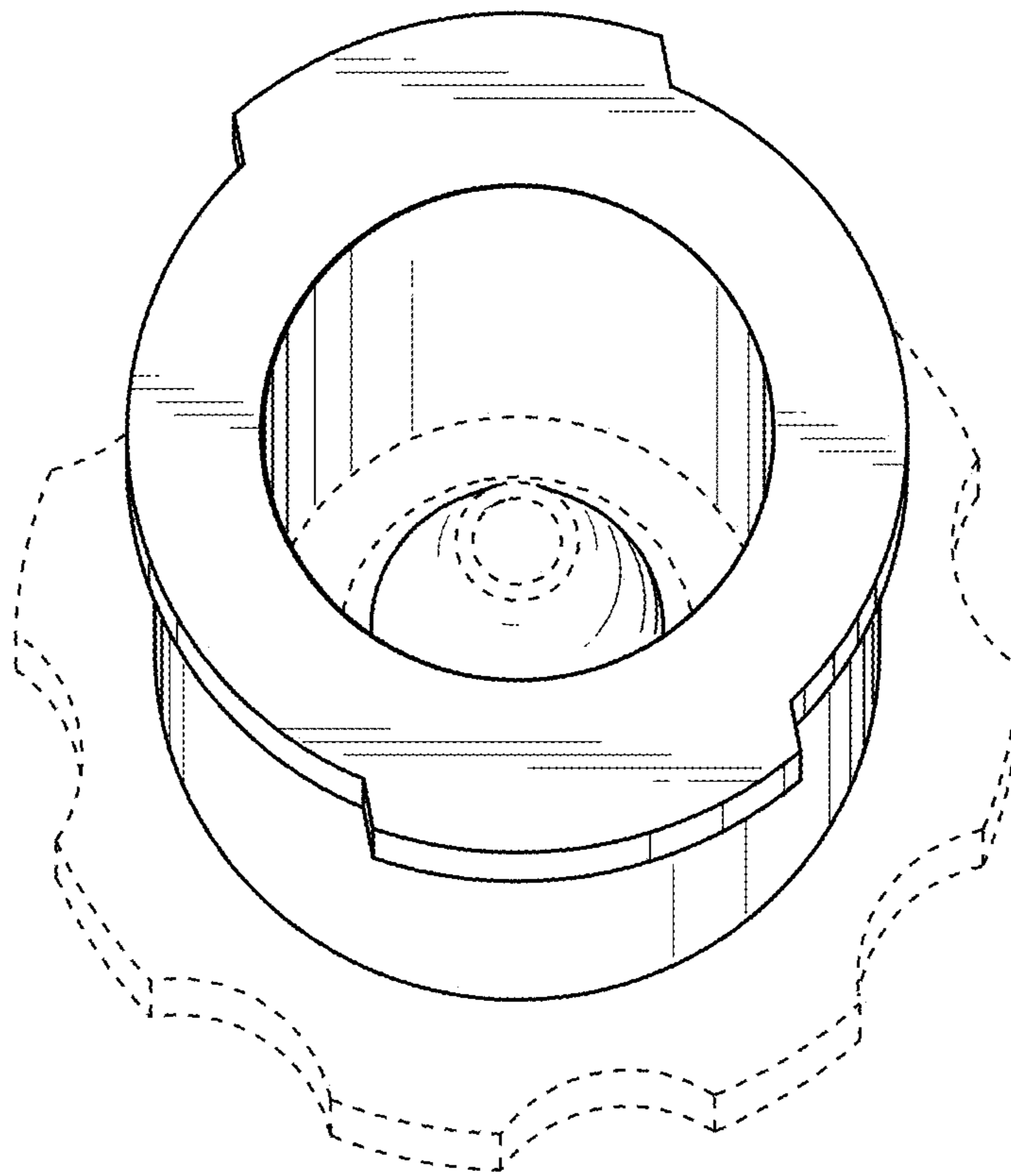


FIG. 2

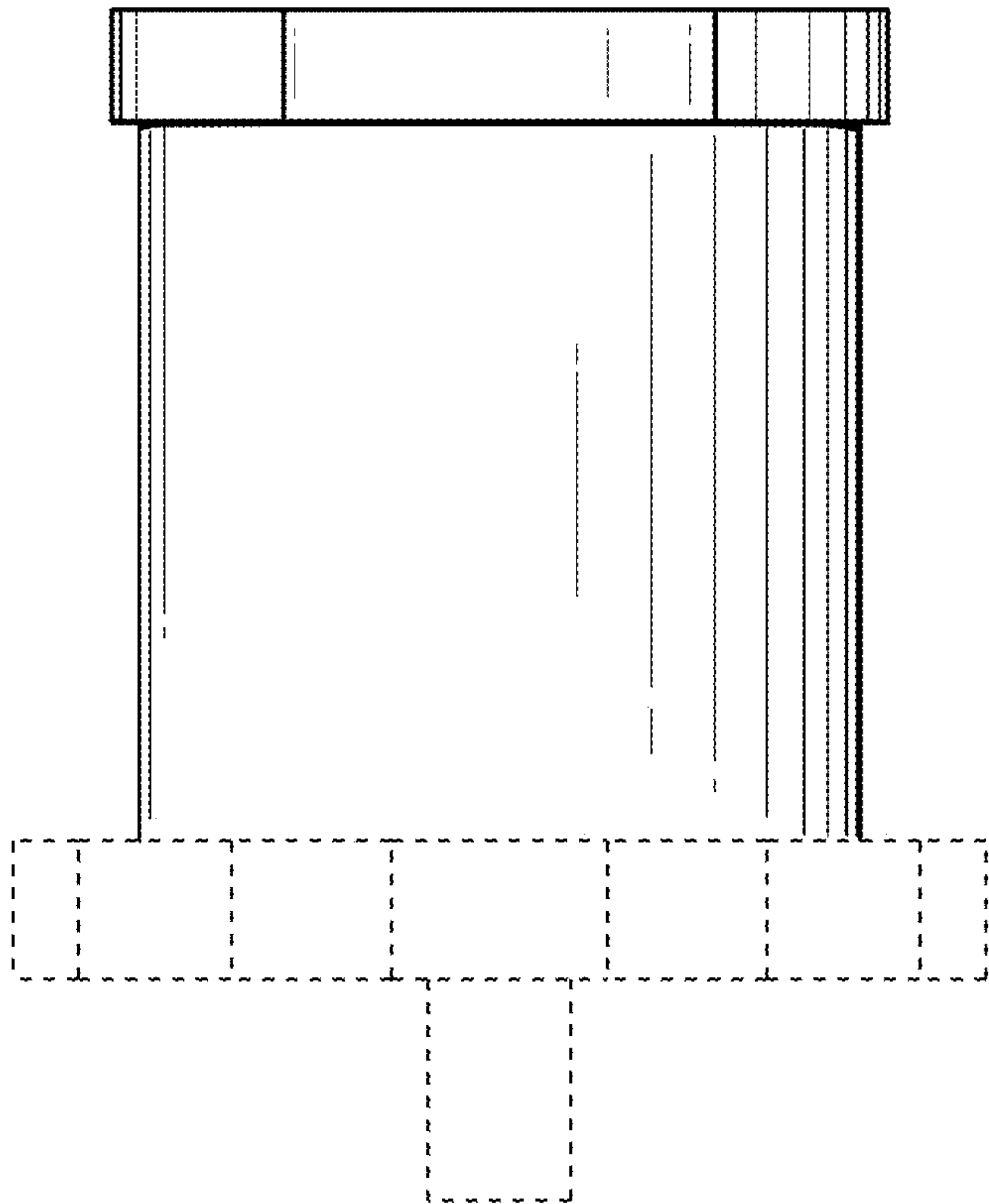


FIG. 3

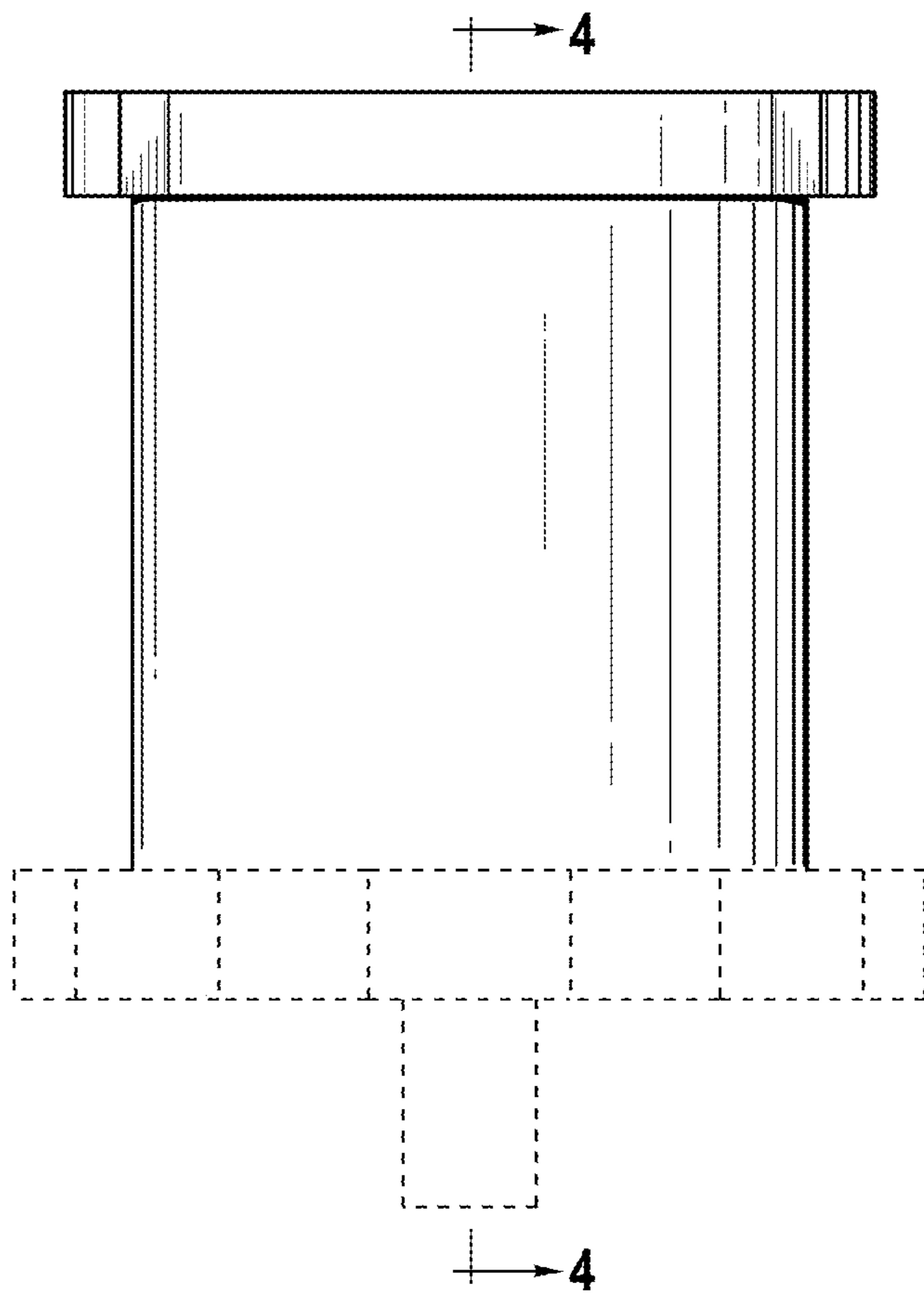
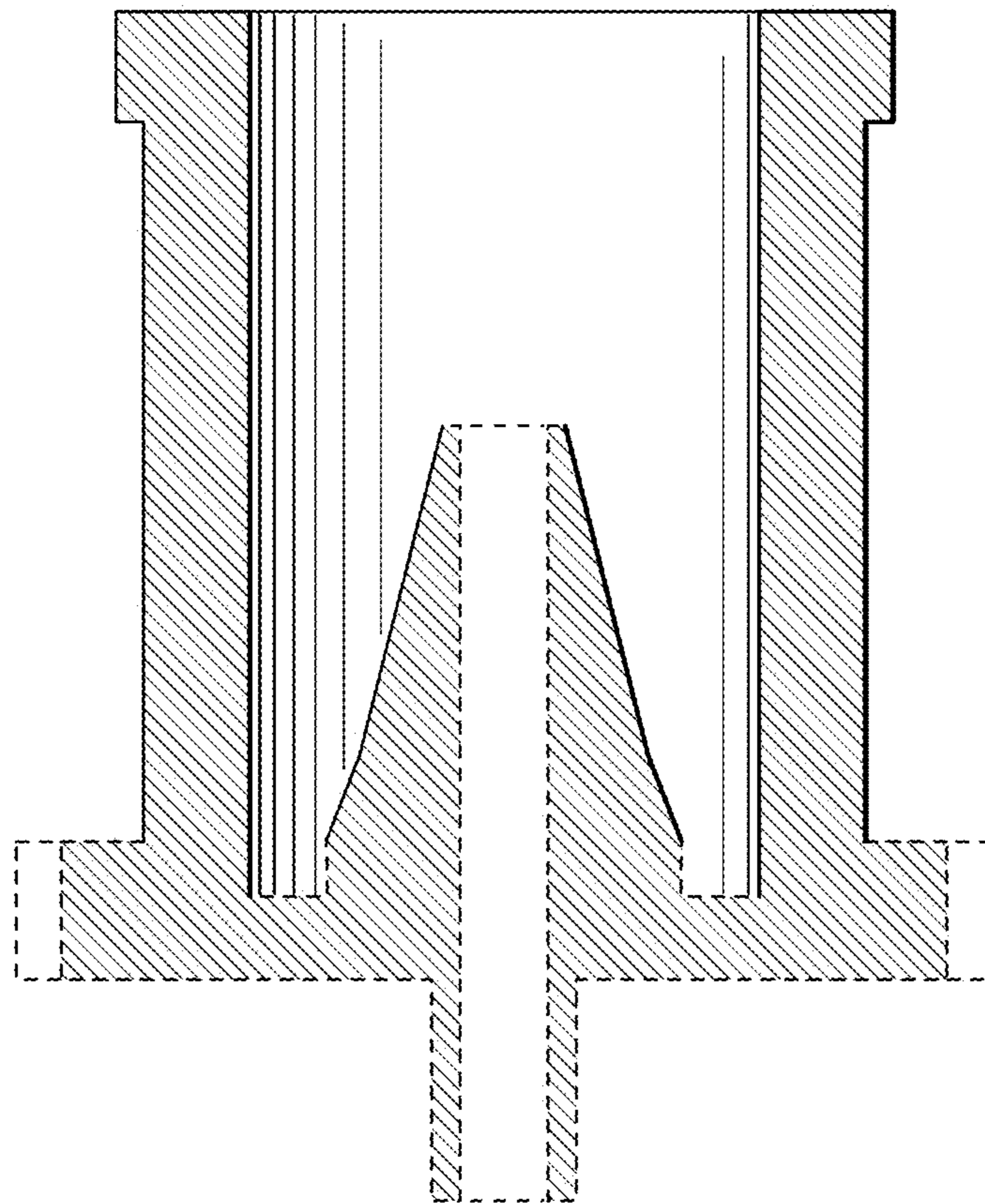
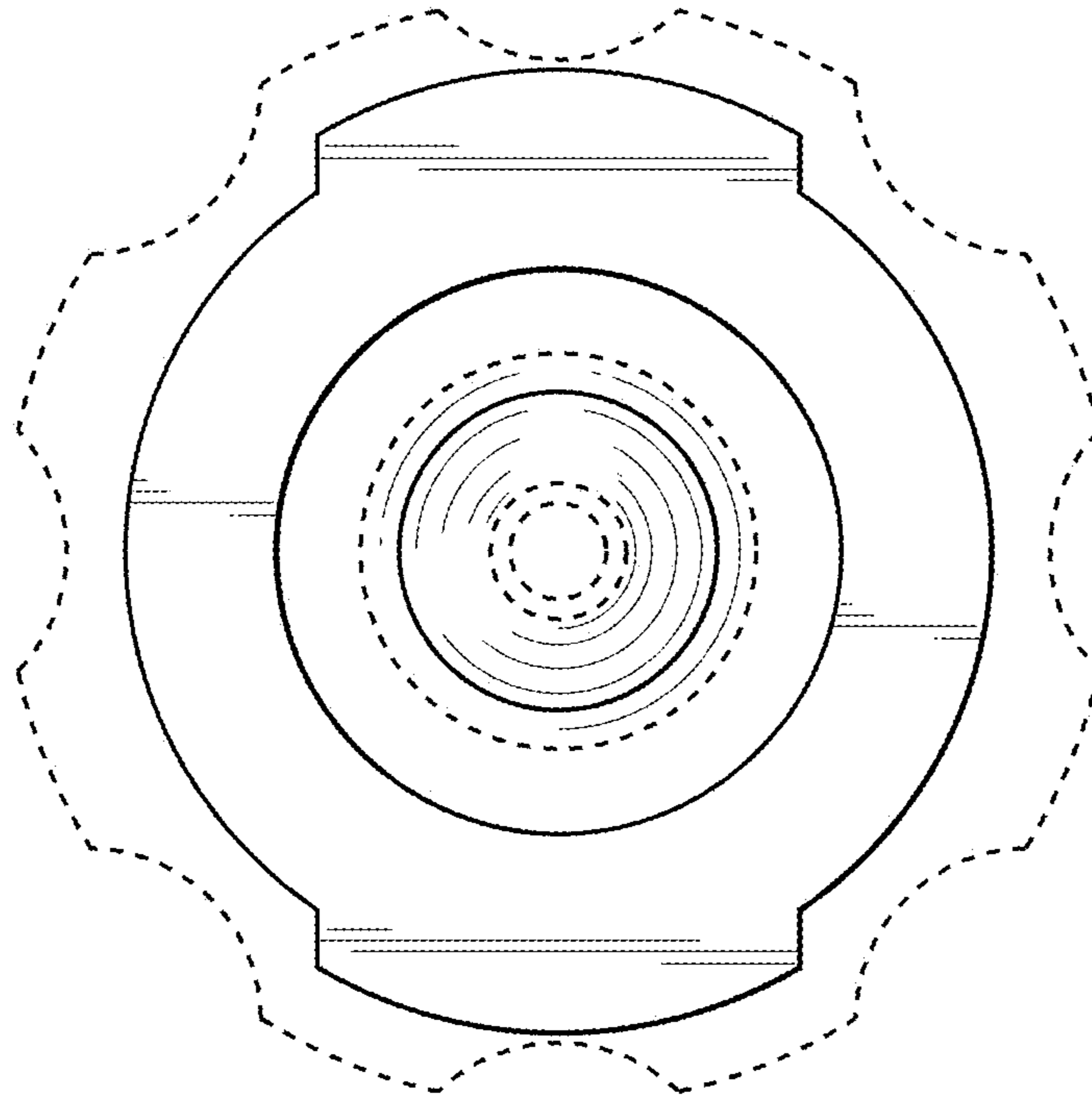


FIG. 4



**FIG. 5**



**FIG. 6**

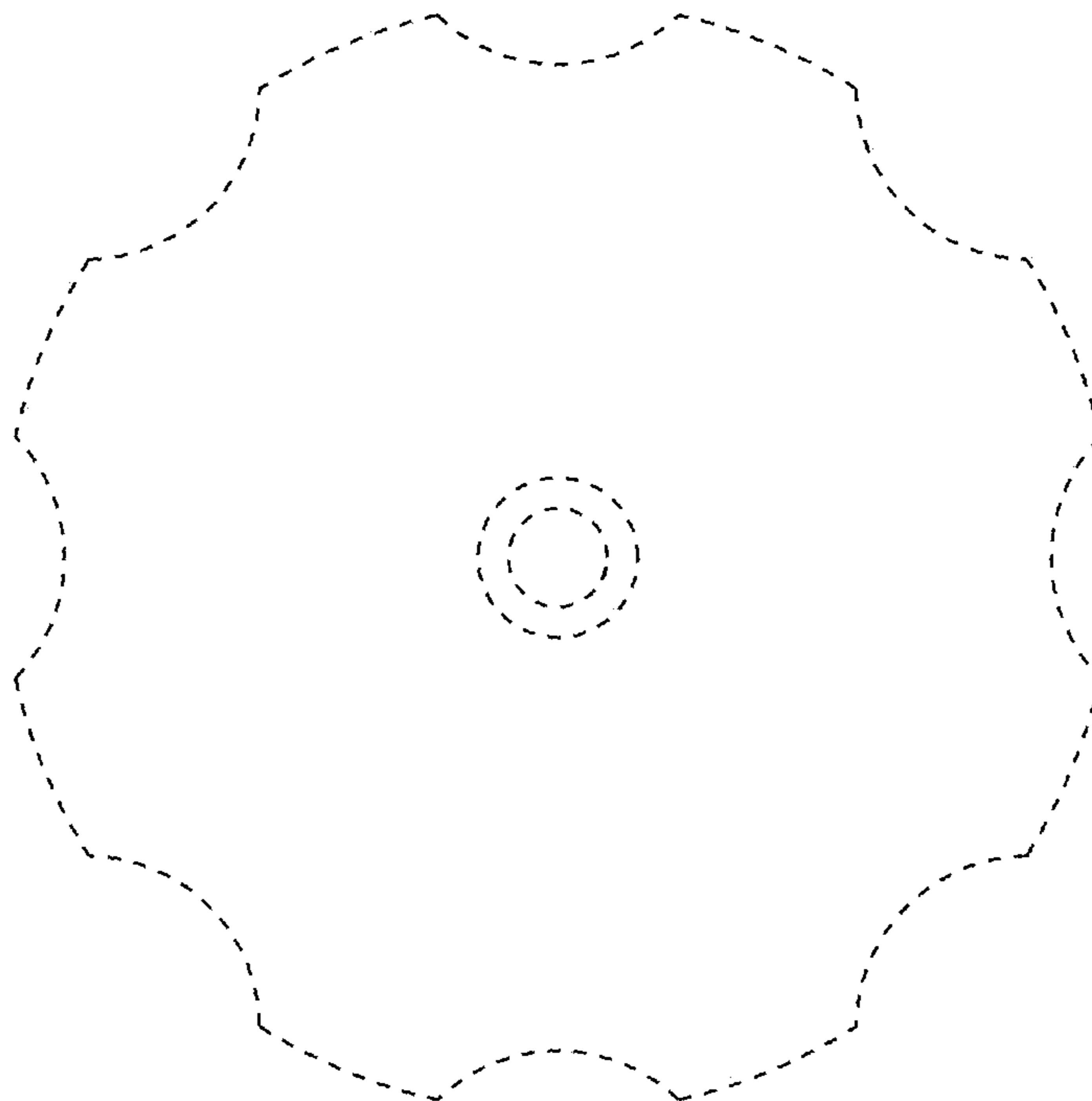


FIG. 7

