



US00D961037S

(12) **United States Design Patent** (10) **Patent No.:** **US D961,037 S**
Pobutkiewicz (45) **Date of Patent:** **** Aug. 16, 2022**

(54) **ADJUSTABLE BAG RIDER**
(71) Applicant: **David Pobutkiewicz**, Warwick, NY (US)
(72) Inventor: **David Pobutkiewicz**, Warwick, NY (US)
(**) Term: **15 Years**
(21) Appl. No.: **29/762,213**
(22) Filed: **Dec. 15, 2020**
(51) **LOC (13) Cl.** **22-01**
(52) **U.S. Cl.**
USPC **D22/108**
(58) **Field of Classification Search**
USPC D22/100, 107, 108, 109, 110, 113, 114, D22/199, 103; D21/567, 570, 571; D12/223
CPC . F41G 11/003; F41G 1/14; F41G 1/38; F41G 1/16; F41G 1/02; F41G 1/06; F41A 23/005; F41C 23/16
See application file for complete search history.

D944,714 S * 3/2022 Ring D12/223
D944,715 S * 3/2022 Ring D12/223
D954,891 S * 6/2022 Pobutkiewicz D22/108
2016/0202016 A1* 7/2016 Mather F41C 23/14 42/73
2019/0145731 A1* 5/2019 Stewart F41C 27/00 42/90
2020/0056410 A1* 2/2020 French E05D 7/04

OTHER PUBLICATIONS

“Angle Mounted ABR” [online]. adjustablebagrider.com. [Retrieved on Jun. 17, 2022]. Retrieved from the Internet: <https://www.adjustablebagrider.com/shop-all/mdt-abr>.*
“Adjustable Bag Rider Review” [online]. John B. Snow. [Published on Jan. 27, 2022]. Retrieved from the Internet: <https://www.outdoorlife.com/gear/adjustable-bag-rider-review/>.*

* cited by examiner

Primary Examiner — Mojtaba Tehrani
(74) *Attorney, Agent, or Firm* — Scott H. Kaliko, Esq.; Kaliko & Associates, LLC

(57) **CLAIM**

The ornamental design for an adjustable bag rider, as shown and described.

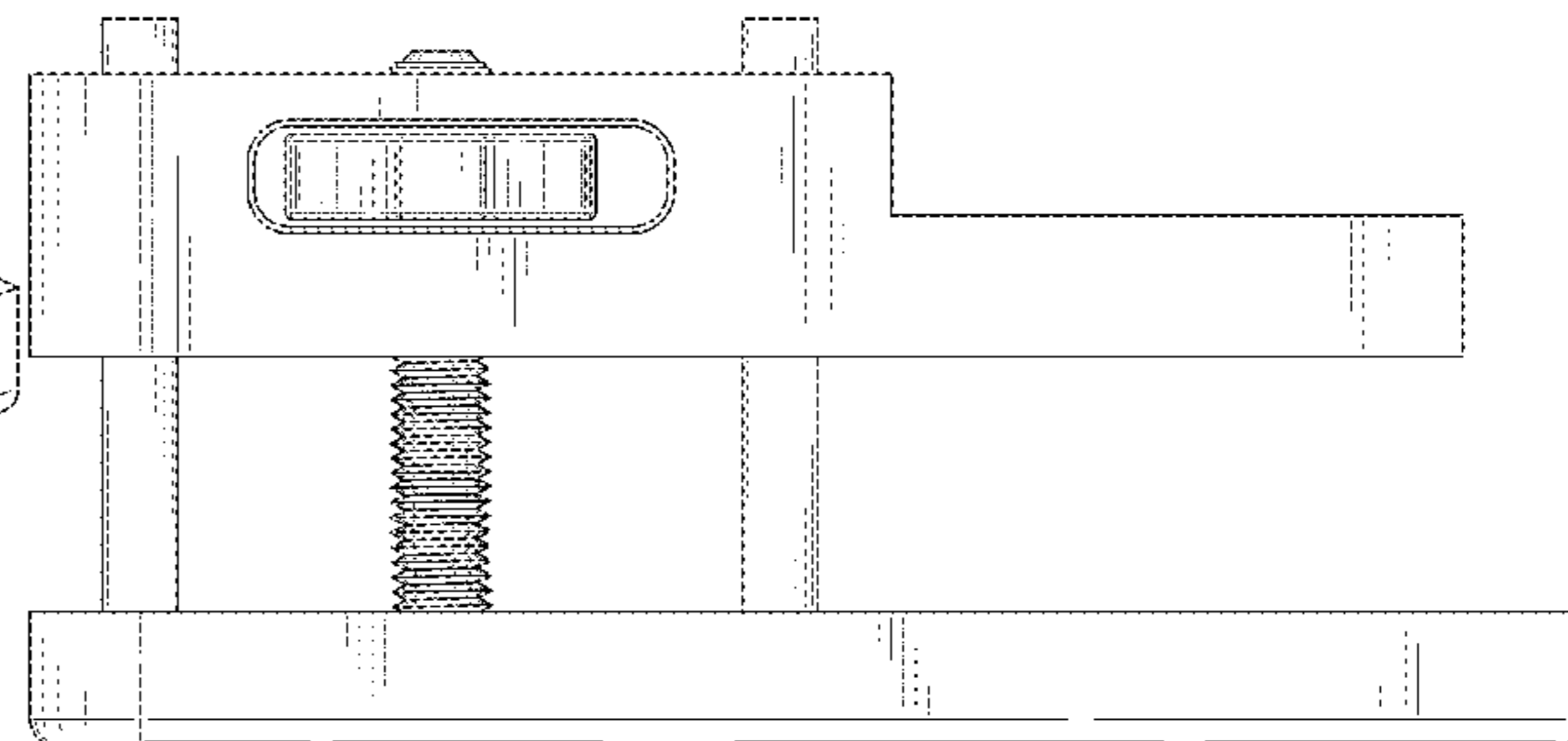
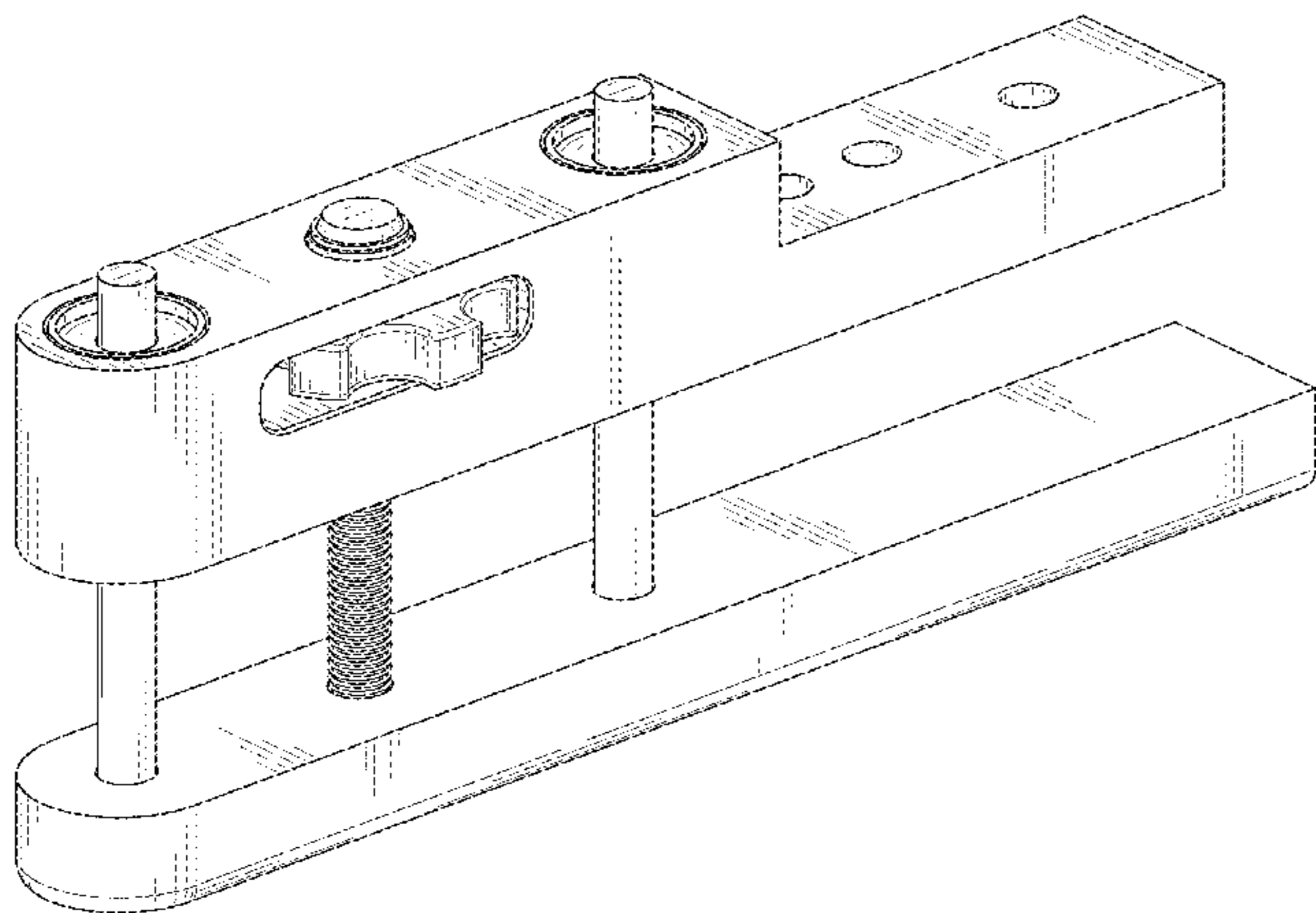
DESCRIPTION

FIG. 1 is a PERSPECTIVE view of a design for the adjustable bag rider;
FIG. 2 is a SIDE view thereof;
FIG. 3 is a SIDE view thereof;
FIG. 4 is a FRONT view of thereof;
FIG. 5 is a BACK view thereof;
FIG. 6 is a TOP view thereof; and,
FIG. 7 is a BOTTOM view thereof.

1 Claim, 5 Drawing Sheets

(56) **References Cited**
U.S. PATENT DOCUMENTS

D296,545 S * 7/1988 Sachs D8/394
D454,479 S * 3/2002 Kolpin D8/355
D460,400 S * 7/2002 Manthei D8/349
D460,734 S * 7/2002 Carlson D15/5
D774,619 S * 12/2016 Mather D22/108
D894,318 S * 8/2020 Pobutkiewicz D22/108
D894,319 S * 8/2020 Pobutkiewicz D22/108
D907,159 S * 1/2021 Pobutkiewicz D22/108
D921,558 S * 6/2021 Ring D12/223
D921,559 S * 6/2021 Ring D12/223



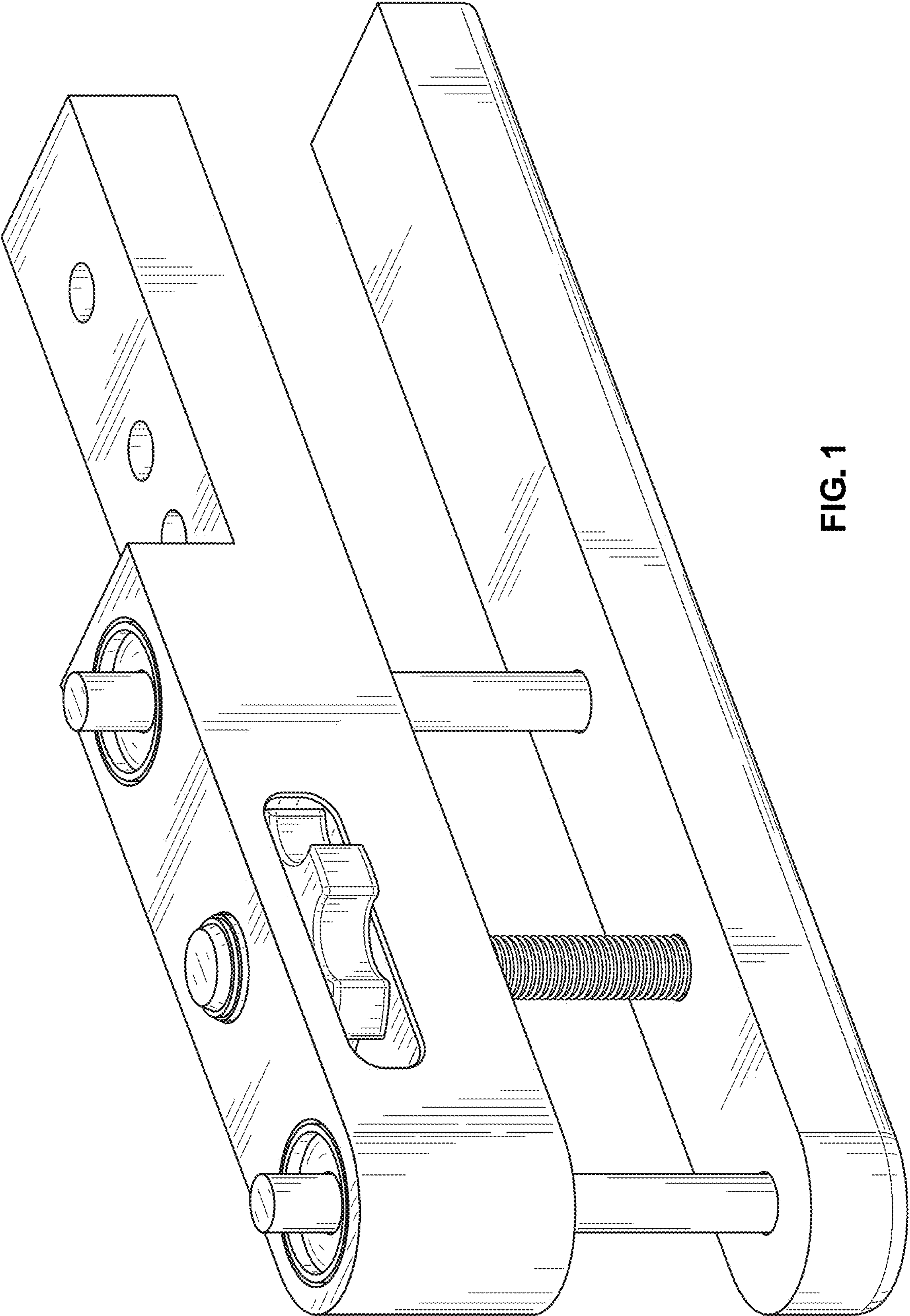


FIG. 1

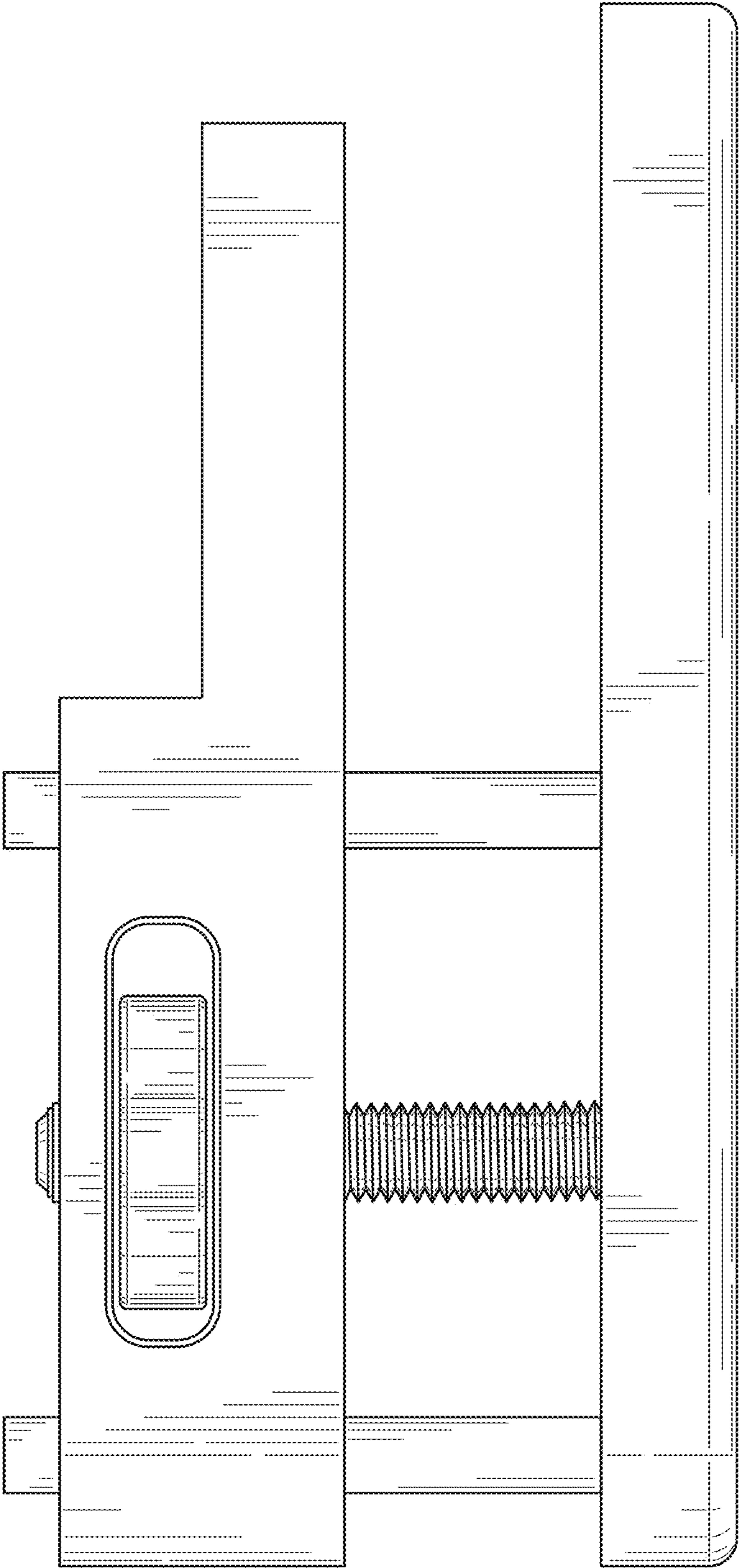


FIG. 2

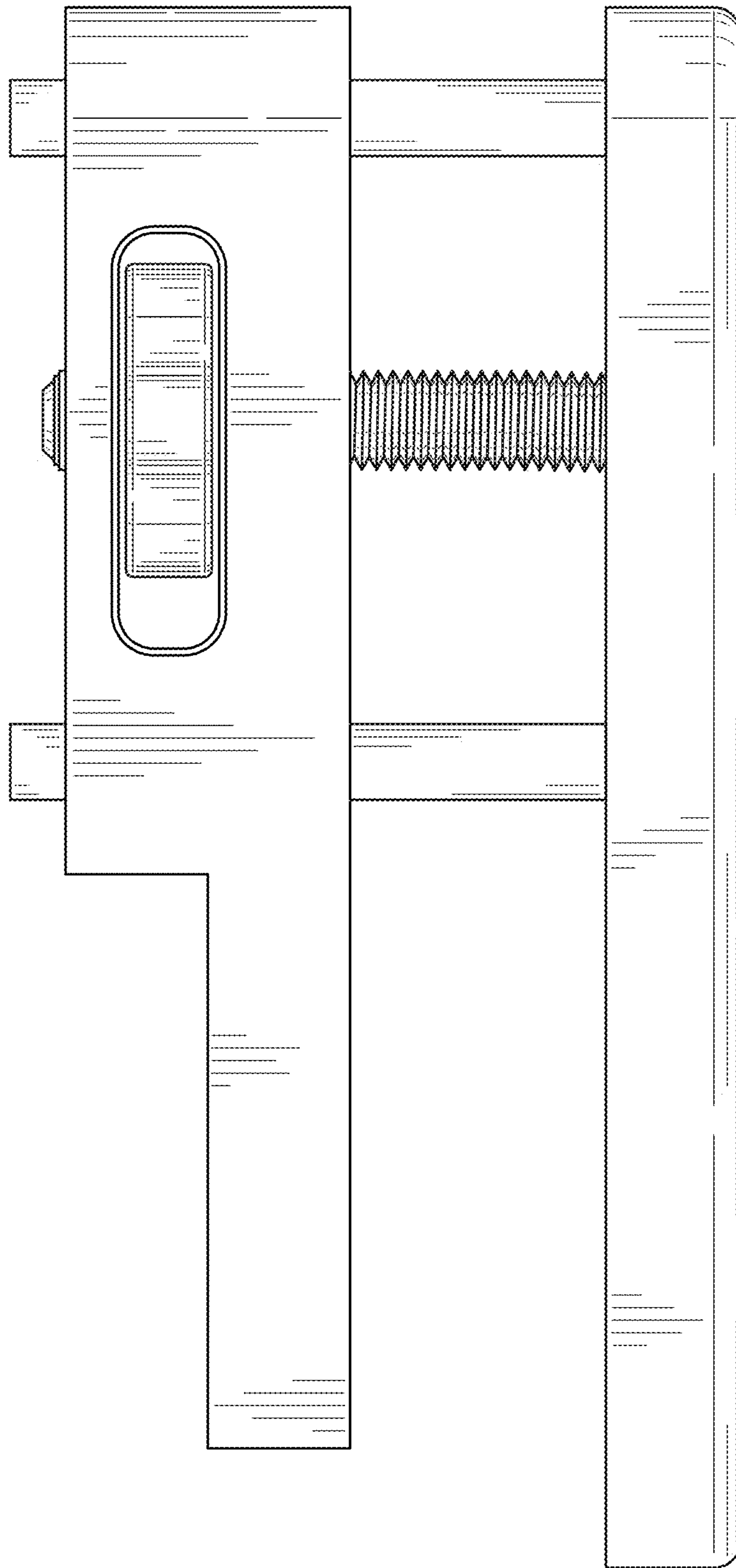


FIG. 3

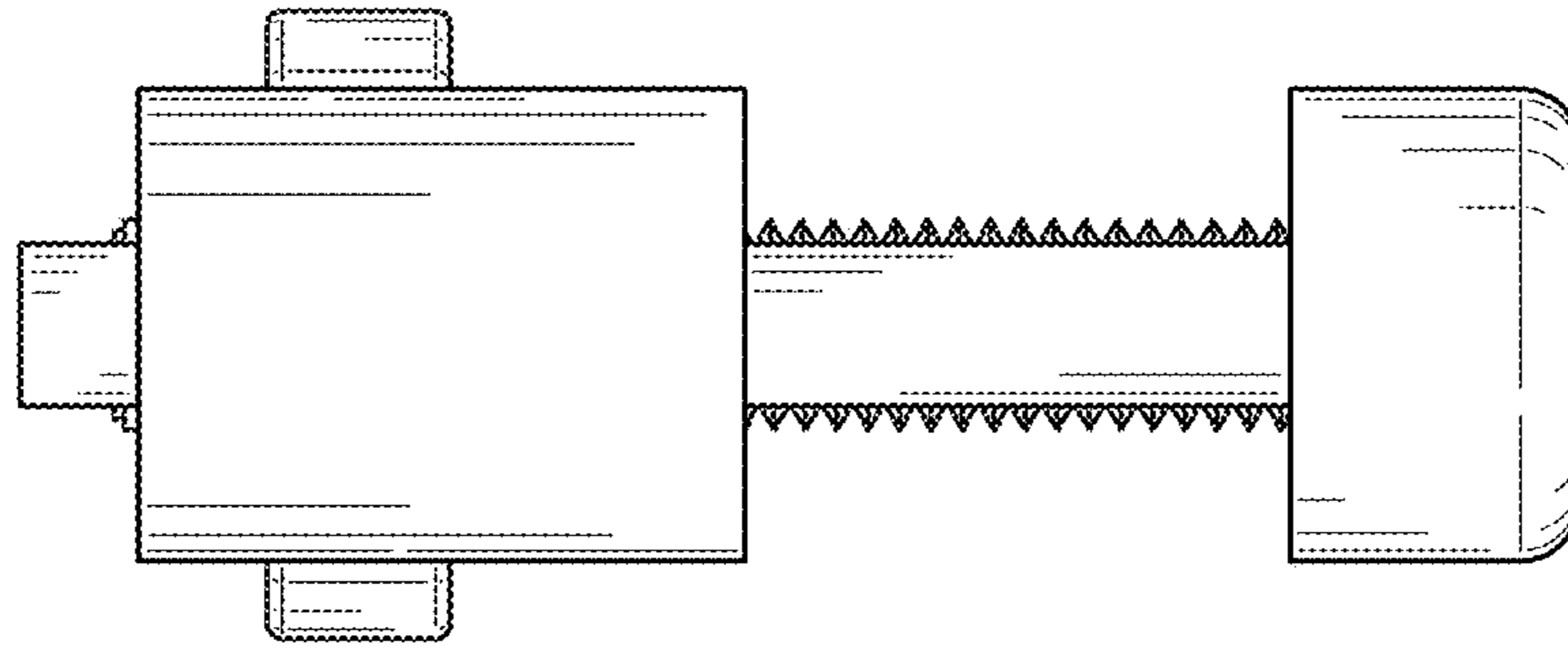


FIG. 5

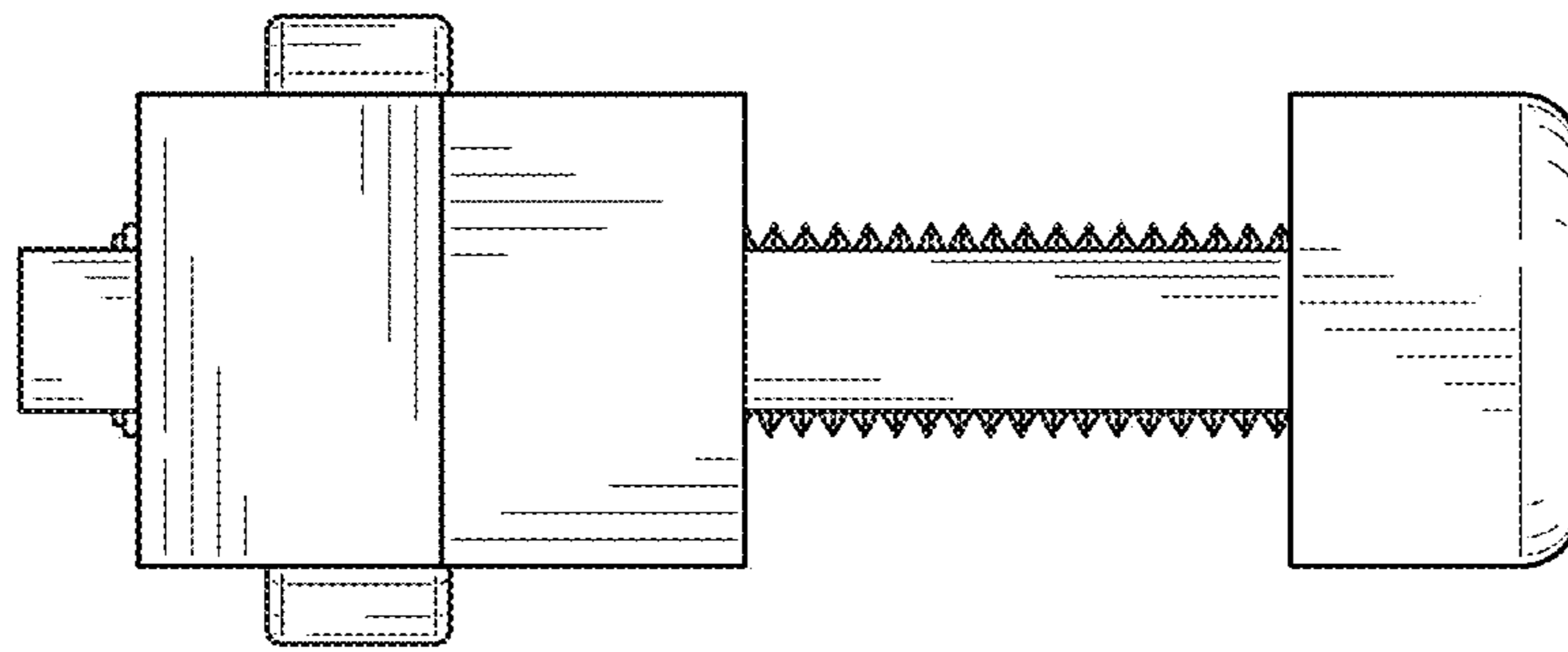


FIG. 4

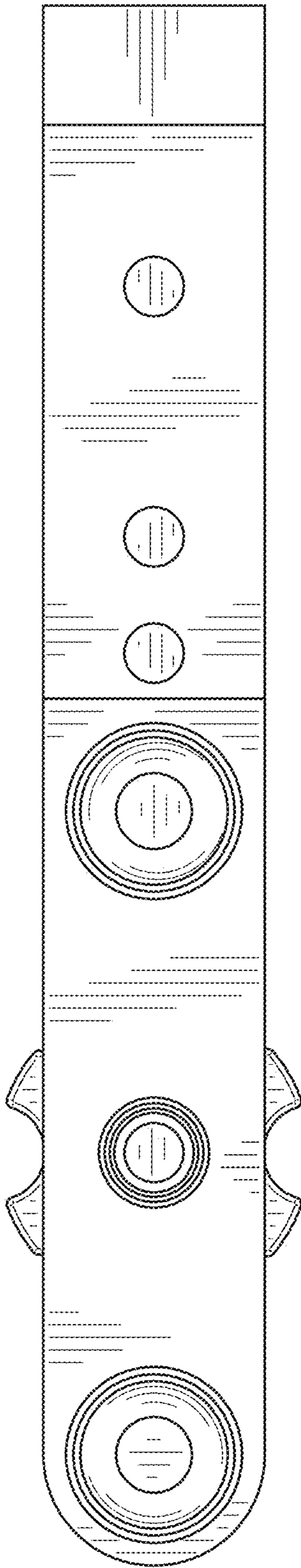


FIG. 6

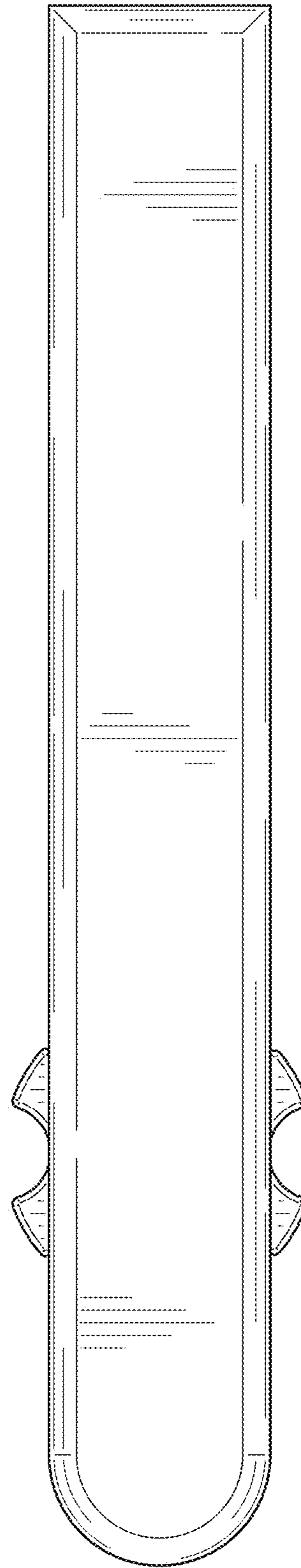


FIG. 7