



US00D961036S

(12) **United States Design Patent** (10) **Patent No.:** **US D961,036 S**
Pobutkiewicz (45) **Date of Patent:** **** Aug. 16, 2022**

(54) **BOLT IN ADJUSTABLE BAG RIDER**
(71) Applicant: **David Pobutkiewicz**, Warwick, NY (US)
(72) Inventor: **David Pobutkiewicz**, Warwick, NY (US)
(**) Term: **15 Years**
(21) Appl. No.: **29/730,647**
(22) Filed: **Apr. 7, 2020**
(51) **LOC (13) Cl.** **22-01**
(52) **U.S. Cl.**
USPC **D22/108**
(58) **Field of Classification Search**
USPC D22/100, 107, 108, 109, 110, 113, 114, D22/199, 103; D21/567, 570, 571; D12/223
CPC . F41G 11/003; F41G 1/14; F41G 1/38; F41G 1/16; F41G 1/02; F41G 1/06; F41A 23/005; F41C 23/16
See application file for complete search history.

2016/0202016 A1* 7/2016 Mather F41C 23/14 42/73
2019/0145731 A1* 5/2019 Stewart F41C 27/00 42/90
2020/0056410 A1* 2/2020 French E05D 7/04

OTHER PUBLICATIONS

“Angle Mounted ABR” [online]. adjustablebagrider.com. [Retrieved on Jun. 17, 2022]. Retrieved from the Internet: <<https://www.adjustablebagrider.com/shop-all/mdt-abr>>.*
“Adjustable Bag Rider Review” [online]. John B. Snow. [Published on Jan. 27, 2022]. Retrieved from the Internet: <<https://www.outdoorlife.com/gear/adjustable-bag-rider-review/>>.*

* cited by examiner

Primary Examiner — Mojtaba Tehrani
(74) *Attorney, Agent, or Firm* — Scott H. Kaliko, Esq.; Kaliko & Associates LLC

(57) **CLAIM**

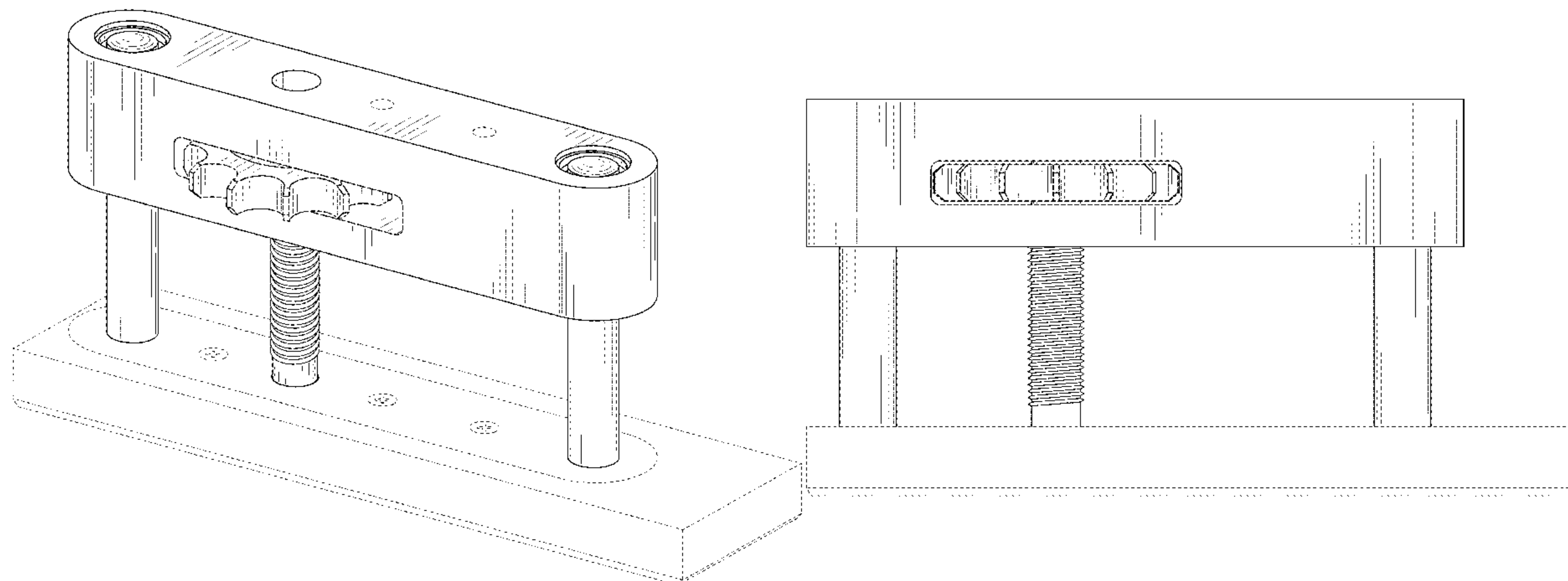
The ornamental design for a bolt in adjustable bag rider, as shown and described.

DESCRIPTION

FIG. 1 is a perspective view of a design for the bolt in adjustable bag rider;
FIG. 2 is a side view thereof;
FIG. 3 is a side view thereof;
FIG. 4 is a front view of thereof;
FIG. 5 is a back view thereof;
FIG. 6 is a top view thereof; and,
FIG. 7 is a bottom view thereof.
The broken lines shown in the drawings depict portions of the bolt in adjustable bag rider that forms no part of the claimed design. The broken lines showing environment forms not part of the claimed design.

1 Claim, 5 Drawing Sheets

- (56) **References Cited**
U.S. PATENT DOCUMENTS
D296,545 S * 7/1988 Sachs D8/394
D454,479 S * 3/2002 Kolpin D8/355
D460,400 S * 7/2002 Manthei D8/349
D460,734 S * 7/2002 Carlson D15/5
D774,619 S * 12/2016 Mather D22/108
D894,318 S * 8/2020 Pobutkiewicz D22/108
D894,319 S * 8/2020 Pobutkiewicz D22/108
D907,159 S * 1/2021 Pobutkiewicz D22/108
D921,558 S * 6/2021 Ring D12/223
D921,559 S * 6/2021 Ring D12/223
D944,714 S * 3/2022 Ring D12/223
D944,715 S * 3/2022 Ring D12/223
D954,891 S * 6/2022 Pobutkiewicz D22/108



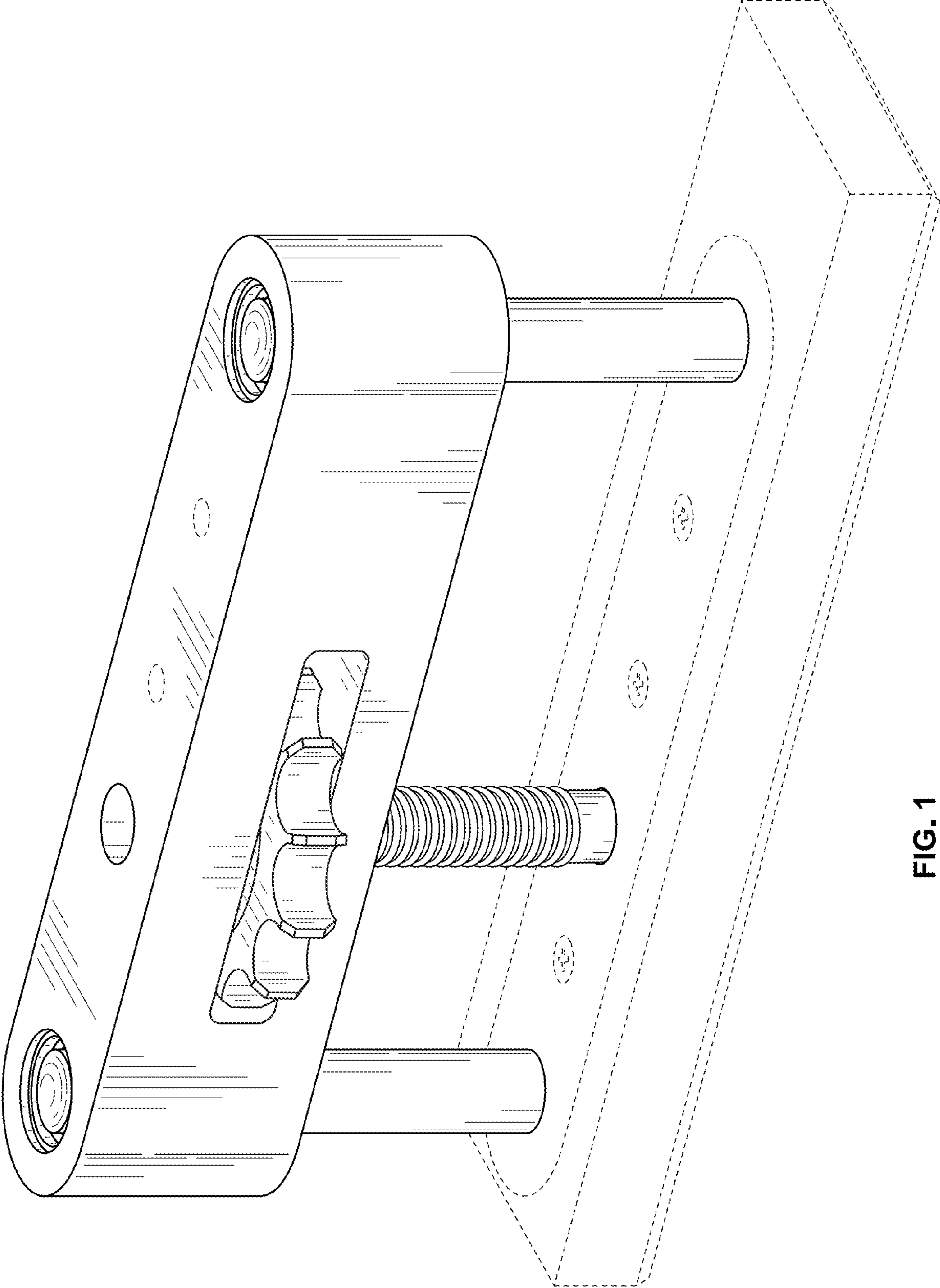


FIG. 1

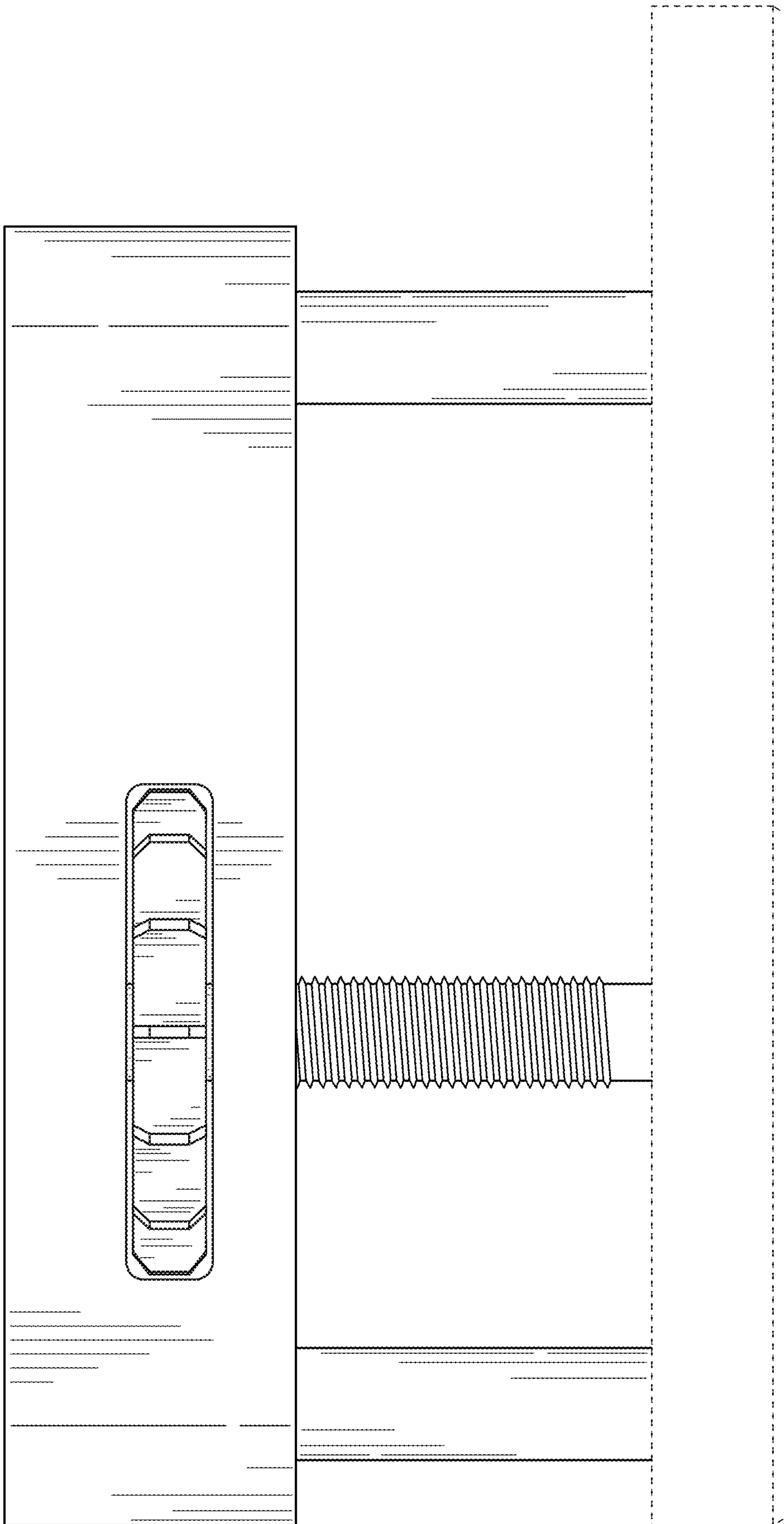


FIG. 2

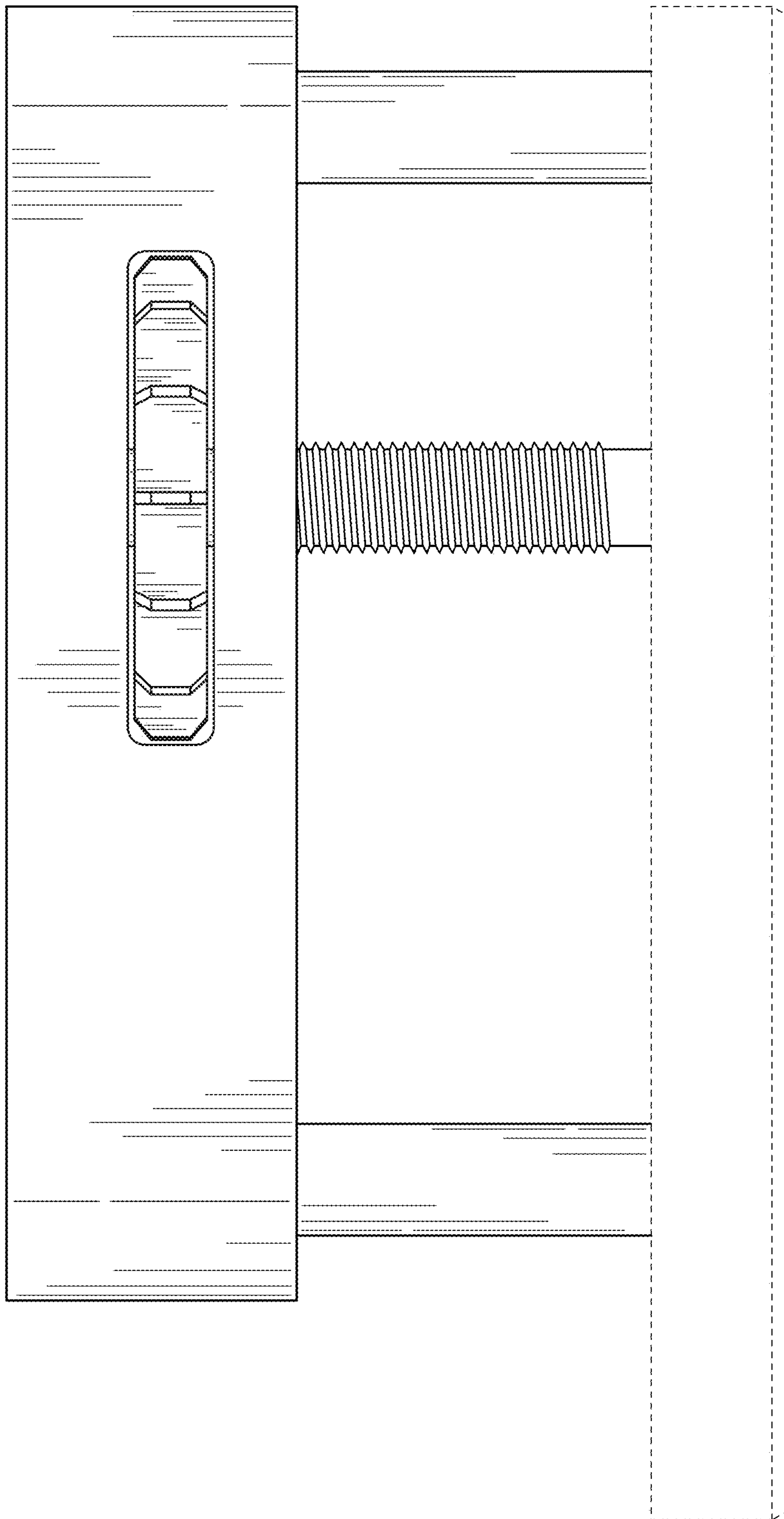


FIG. 3

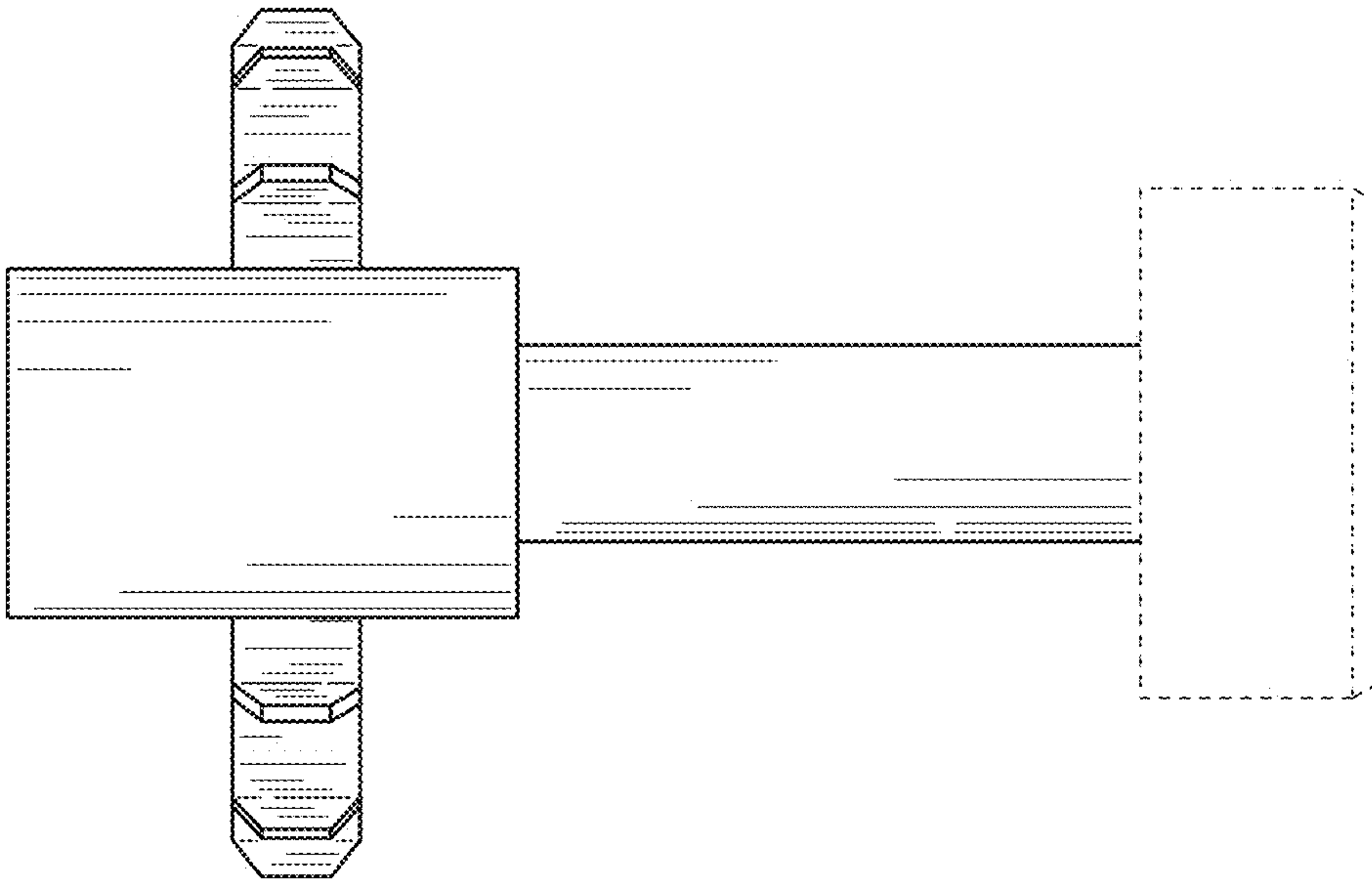


FIG. 5

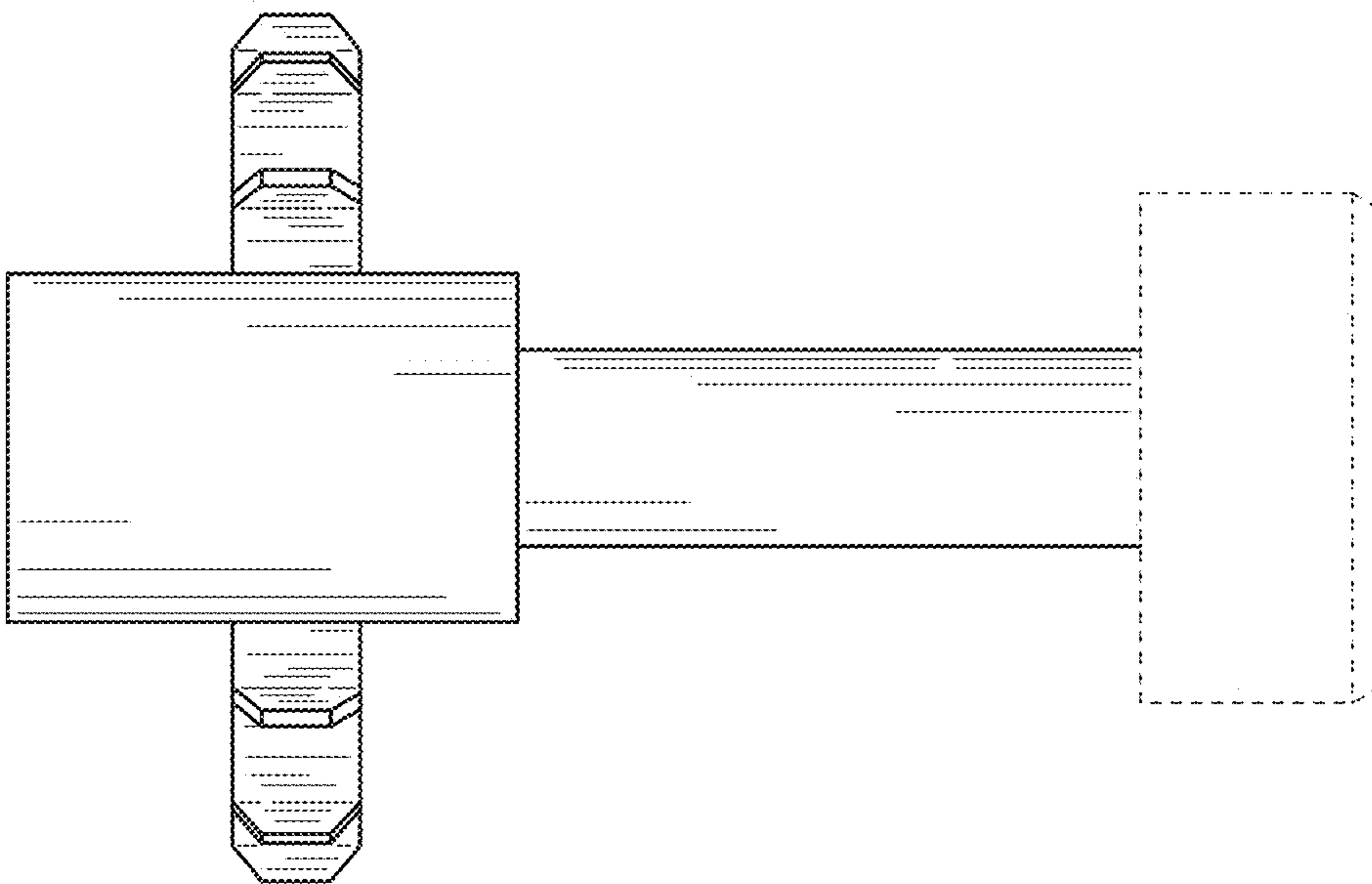


FIG. 4

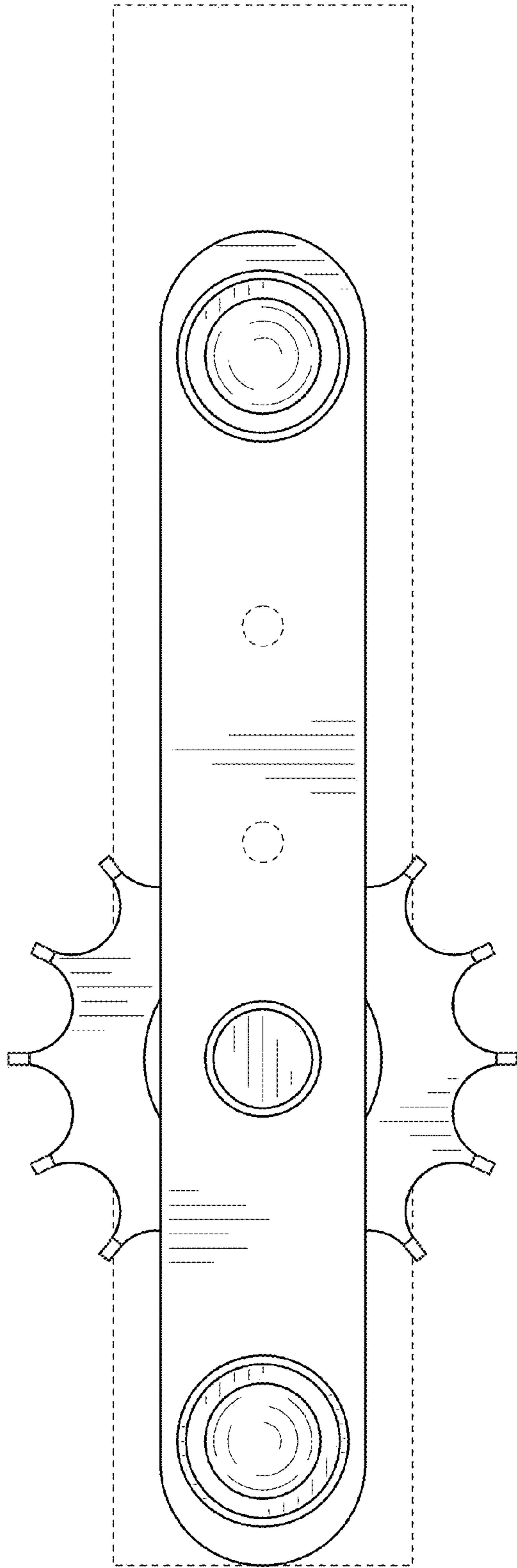


FIG. 6

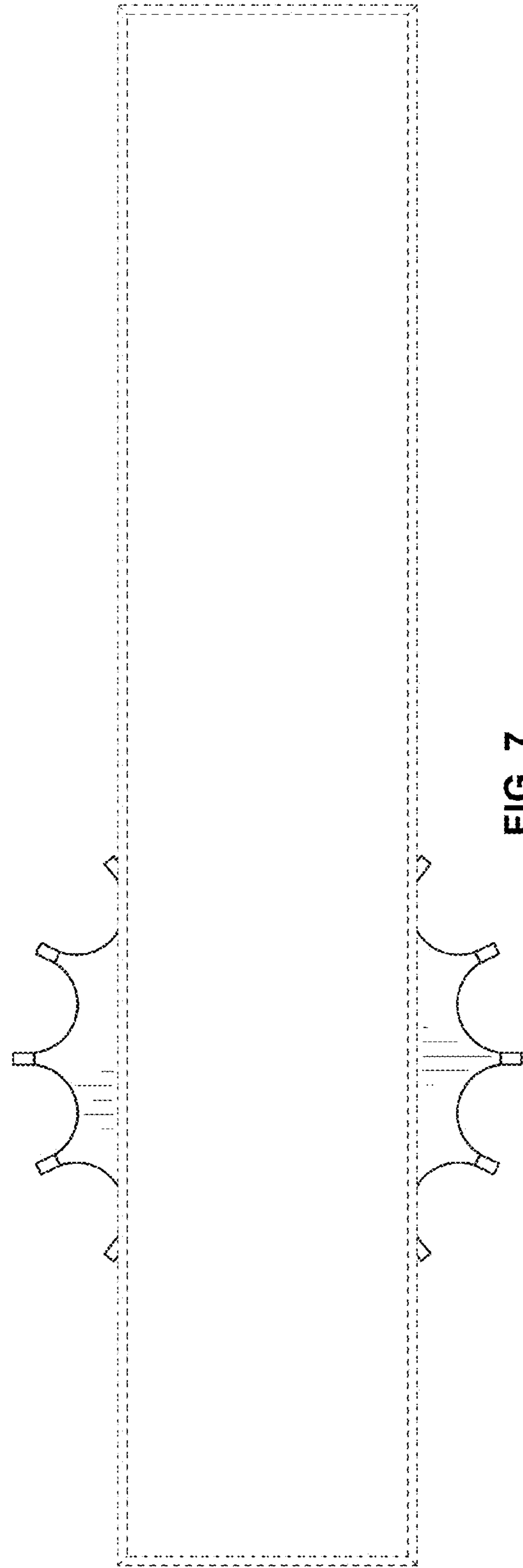


FIG. 7