



US00D961029S

(12) **United States Design Patent**
Serrano

(10) **Patent No.:** **US D961,029 S**

(45) **Date of Patent:** **** Aug. 16, 2022**

(54) **GOLF CLUB HEAD**

(71) Applicant: **KARSTEN MANUFACTURING CORPORATION**, Phoenix, AZ (US)

(72) Inventor: **Anthony D. Serrano**, Phoenix, AZ (US)

(73) Assignee: **Karsten Manufacturing Corporation**, Phoenix, AZ (US)

(**) Term: **15 Years**

(21) Appl. No.: **29/765,724**

(22) Filed: **Jan. 11, 2021**

(51) **LOC (13) Cl.** **21-02**

(52) **U.S. Cl.**
USPC **D21/742**

(58) **Field of Classification Search**
USPC D21/736-746, 759
CPC A63B 53/00; A63B 53/04; A63B 53/007;
A63B 53/065; A63B 53/0487; A63B
60/00; A63B 60/46
See application file for complete search history.

(56) **References Cited**

U.S. PATENT DOCUMENTS

3,884,477	A	5/1975	Bianco	
4,030,766	A	6/1977	Derr	
D316,129	S	4/1991	Bryson	
5,275,412	A	1/1994	Innes	
5,685,784	A	11/1997	Butler	
D400,942	S	* 11/1998	Billings D21/742
D402,343	S	12/1998	Helmstetter	
D429,297	S	8/2000	Hettinger	
6,159,108	A	12/2000	De La Pena	
D447,782	S	9/2001	Hettinger	
6,379,259	B1	4/2002	Opie	
6,478,690	B2	11/2002	Helmstetter	
D488,526	S	4/2004	Souza	
D500,109	S	12/2004	Solheim	

D500,110	S	12/2004	Solheim
6,837,801	B1	1/2005	Souza
6,878,071	B1	4/2005	Schwieger
6,893,355	B2	5/2005	Souza
6,902,496	B2	6/2005	Solheim
D507,612	S	7/2005	Souza
6,926,615	B1	8/2005	Souza
D511,802	S	11/2005	Cameron
6,960,140	B2	11/2005	Solheim
6,966,845	B2	11/2005	Solheim
D514,181	S	1/2006	Cameron
D520,584	S	5/2006	Karlsen
D521,582	S	5/2006	Souza
7,052,411	B2	5/2006	Solheim

(Continued)

OTHER PUBLICATIONS

Ping.com; <https://ping.com/en-us/clubs/putters/g-le2-putters> ; Jun. 1, 2022.*
Ping putters goggle search; [goggle.com](https://www.google.com/search?q=ping+putters); Jun. 1, 2022.*

Primary Examiner — Mitchell I. Siegel

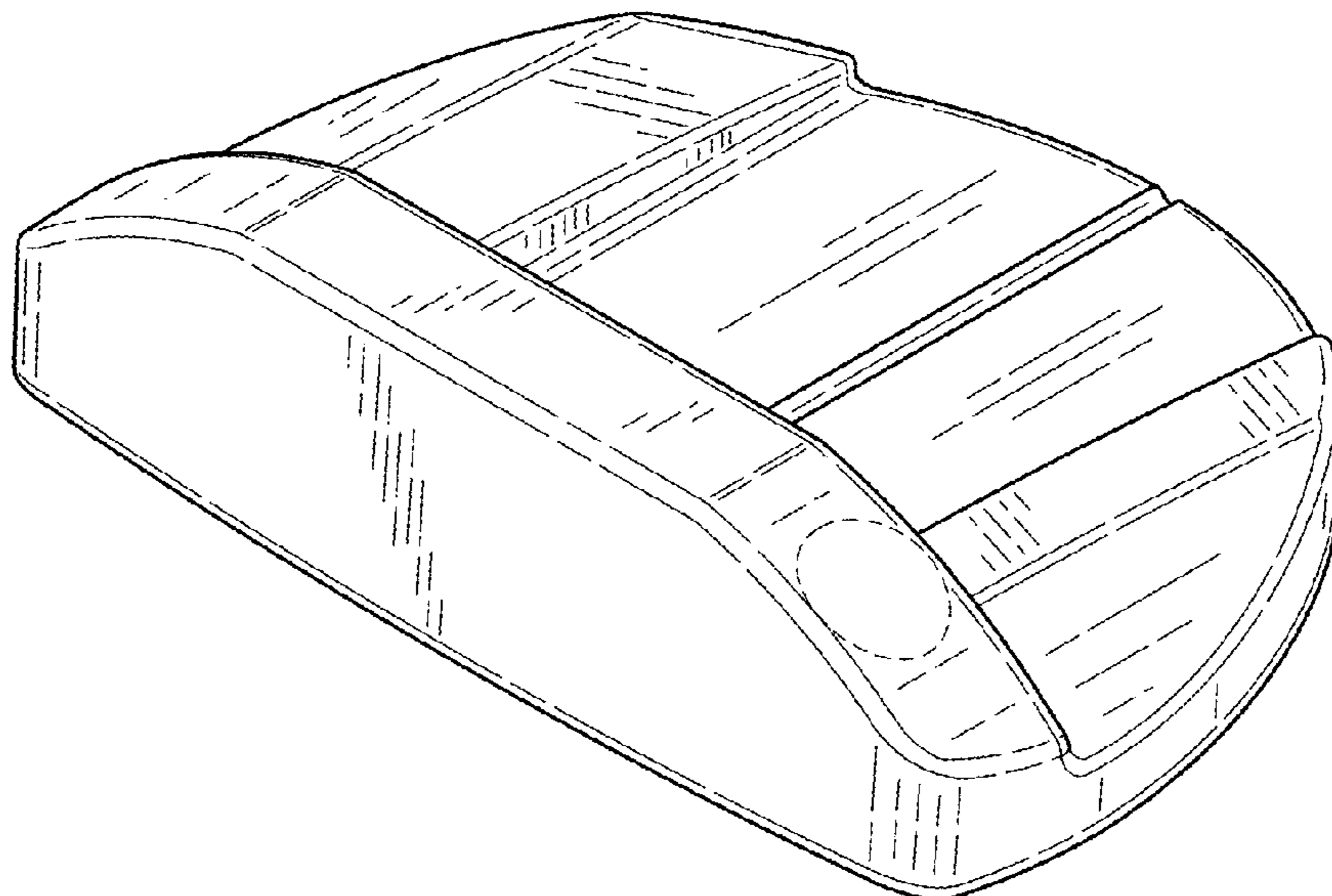
(57) **CLAIM**

The ornamental design for a golf club head, as shown and described.

DESCRIPTION

FIG. 1 is a top perspective view of a golf club head;
FIG. 2 is a bottom perspective view of the golf club head of FIG. 1;
FIG. 3 is a top view of the golf club head of FIG. 1;
FIG. 4 is a bottom view of the golf club head of FIG. 1;
FIG. 5 is a front view of the golf club head of FIG. 1;
FIG. 6 is a rear view of the golf club head of FIG. 1;
FIG. 7 is a heel side view of the golf club head of FIG. 1;
and,
FIG. 8 is a toe side view of the golf club head of FIG. 1.
The broken lines shown form no part of the claimed design.

1 Claim, 5 Drawing Sheets



(56)

References Cited

U.S. PATENT DOCUMENTS

D522,598 S 6/2006 Solheim
 7,077,758 B2 7/2006 Rohrer
 7,086,957 B2 8/2006 Solheim
 D527,777 S 9/2006 Solheim
 D529,108 S 9/2006 Stites
 D532,847 S 11/2006 Rollinson
 D533,243 S 12/2006 Fife
 D543,598 S 5/2007 Kuan
 7,235,021 B2 6/2007 Solheim
 D548,295 S 8/2007 Jertson
 7,255,650 B2 8/2007 Bryant
 D552,197 S 10/2007 Wells
 D564,606 S 3/2008 Oldknow
 D565,137 S 3/2008 Oldknow
 D569,462 S 5/2008 Rollinson
 7,371,185 B1 5/2008 Rohrer
 7,374,497 B2 5/2008 Brown
 D581,473 S 11/2008 Thomas
 D583,003 S 12/2008 Solheim
 D587,325 S 2/2009 Solheim
 D595,372 S 6/2009 Rollinson
 D600,760 S 9/2009 Serrano
 D600,761 S 9/2009 Solheim
 D600,762 S 9/2009 Serrano
 7,601,076 B2 10/2009 Rollinson
 D607,950 S 1/2010 Souza
 D621,458 S 8/2010 Serrano
 D621,460 S 8/2010 Serrano
 D621,461 S 8/2010 Serrano
 D621,462 S 8/2010 Serrano
 D621,891 S 8/2010 Serrano
 7,803,066 B2 9/2010 Solheim
 7,815,515 B1 10/2010 Hunt
 D638,891 S 5/2011 Nicolette

D640,341 S 6/2011 Foster et al.
 D643,080 S 8/2011 Serrano
 D643,485 S 8/2011 Nicolette
 D643,486 S 8/2011 Serrano
 D643,487 S 8/2011 Serrano
 8,100,779 B2 1/2012 Solheim
 D653,718 S 2/2012 Stokke
 8,109,838 B2 2/2012 Solheim
 8,128,505 B2 3/2012 Tryner et al.
 D664,617 S 7/2012 Serrano
 D691,681 S 10/2013 Hilton
 D720,022 S 12/2014 Rollinson
 D720,023 S 12/2014 Rollinson
 D722,351 S 2/2015 Parsons
 D748,213 S 1/2016 Parsons
 D769,996 S 10/2016 Abbott
 D774,609 S * 12/2016 Serrano D21/744
 D794,732 S * 8/2017 Jertson D21/744
 D797,872 S * 9/2017 Jertson D21/743
 D807,454 S * 1/2018 Serrano D21/744
 D874,591 S * 2/2020 Lee D21/743
 D879,223 S * 3/2020 Serrano D21/742
 D892,955 S * 8/2020 Clarke D21/744
 D898,846 S * 10/2020 Clarke D21/743
 D898,847 S * 10/2020 Clarke D21/743
 D904,538 S * 12/2020 Greer D21/744
 D905,183 S * 12/2020 Greer D21/744
 D933,147 S * 10/2021 Wang D21/744
 D946,677 S * 3/2022 Serrano D21/743
 2005/0170904 A1 8/2005 Smeeth
 2005/0233829 A1 10/2005 Cameron
 2006/0094533 A1 5/2006 Warren
 2007/0191135 A1 8/2007 Nilsson
 2008/0096686 A1 4/2008 Bilkhu
 2010/0227704 A1 9/2010 Souza
 2012/0115628 A1 5/2012 Woods

* cited by examiner

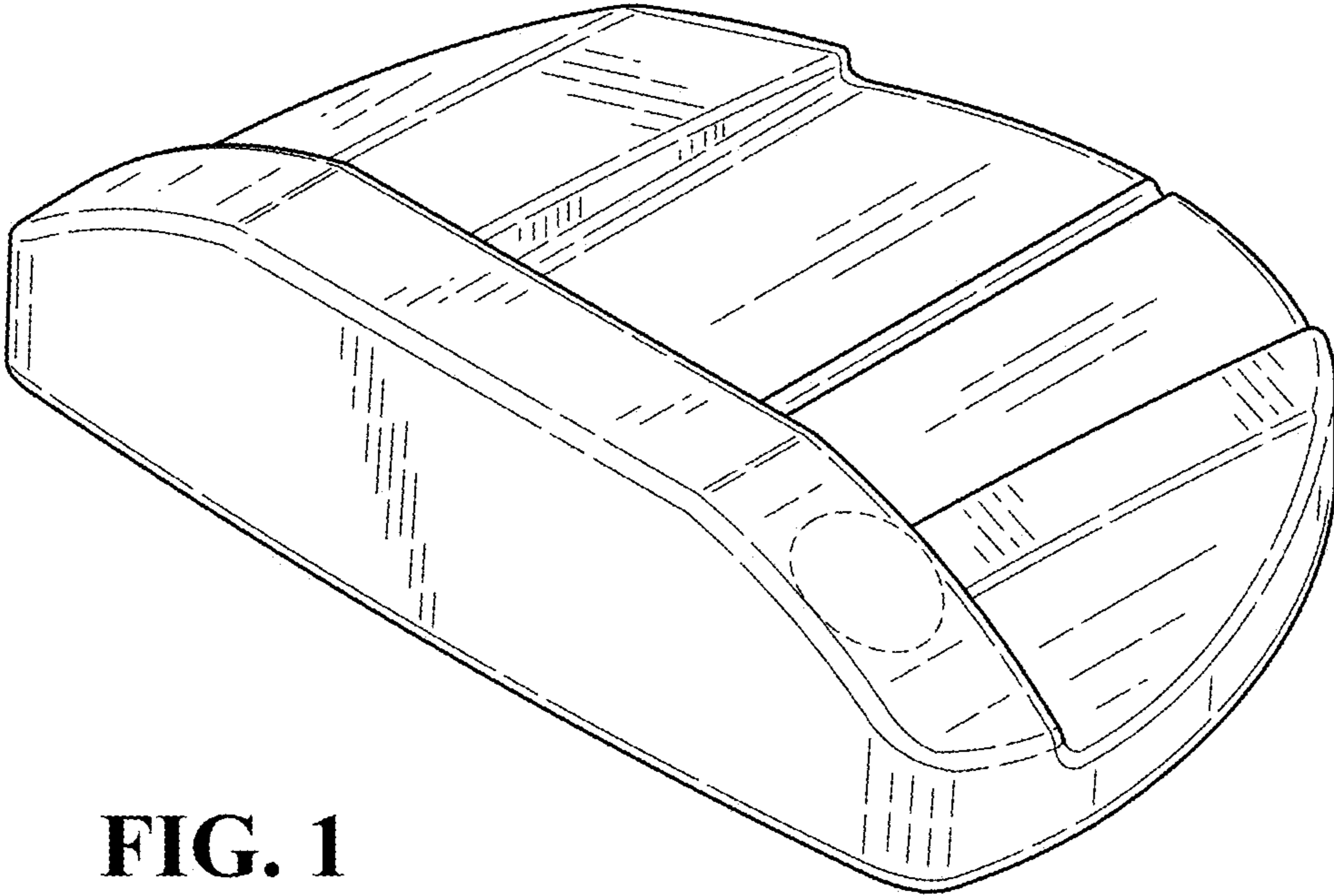


FIG. 1

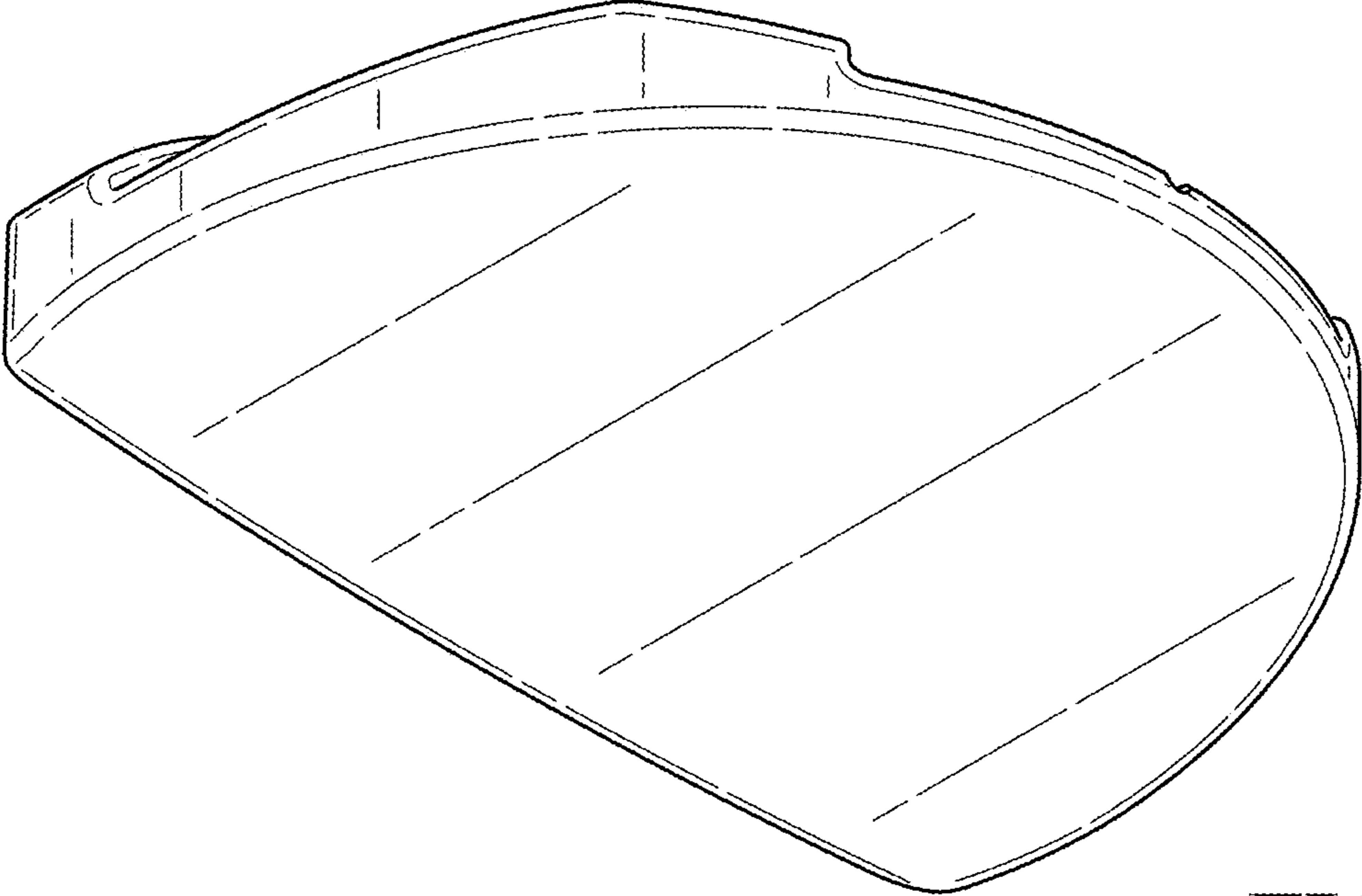


FIG. 2

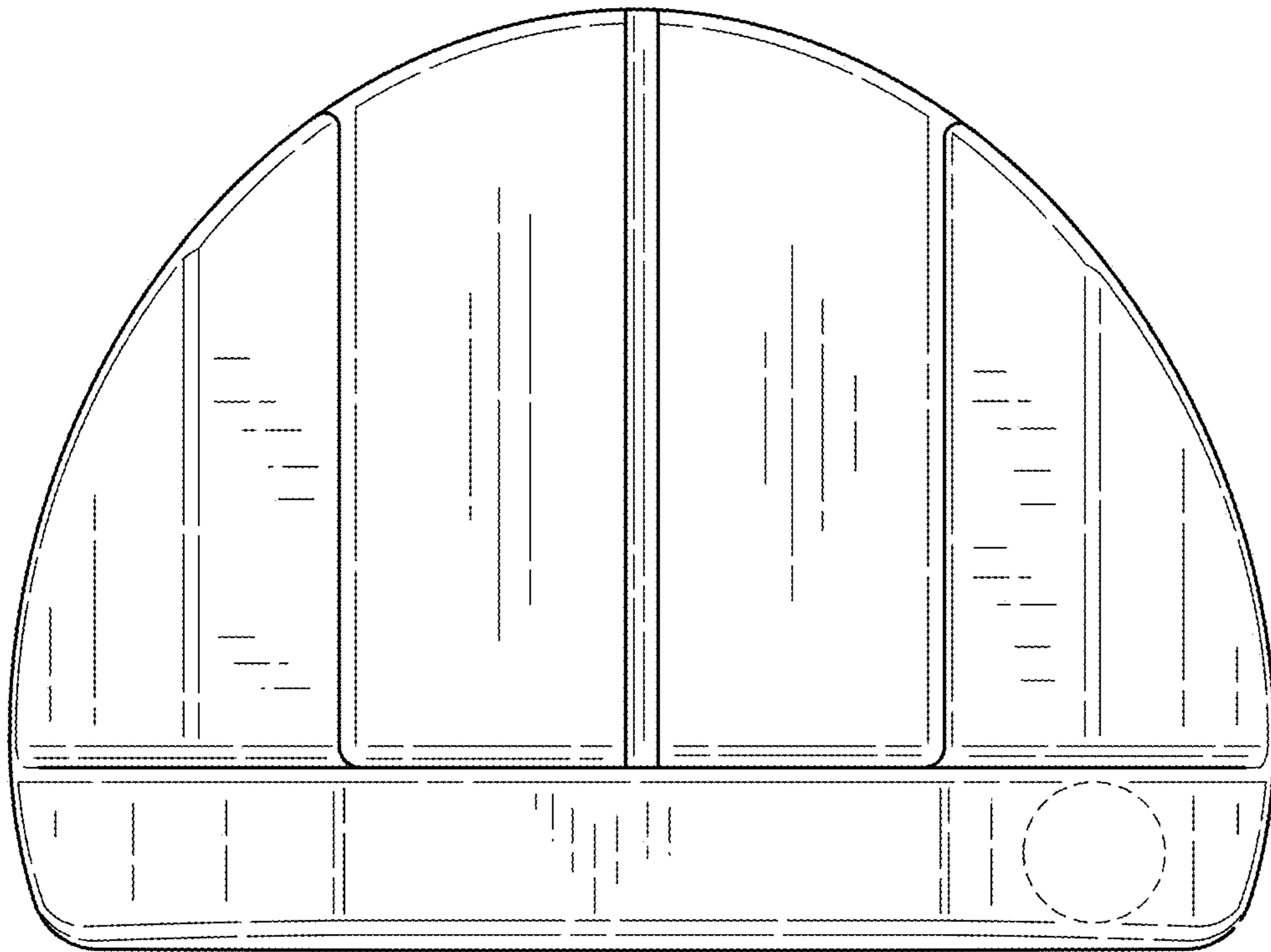


FIG. 3

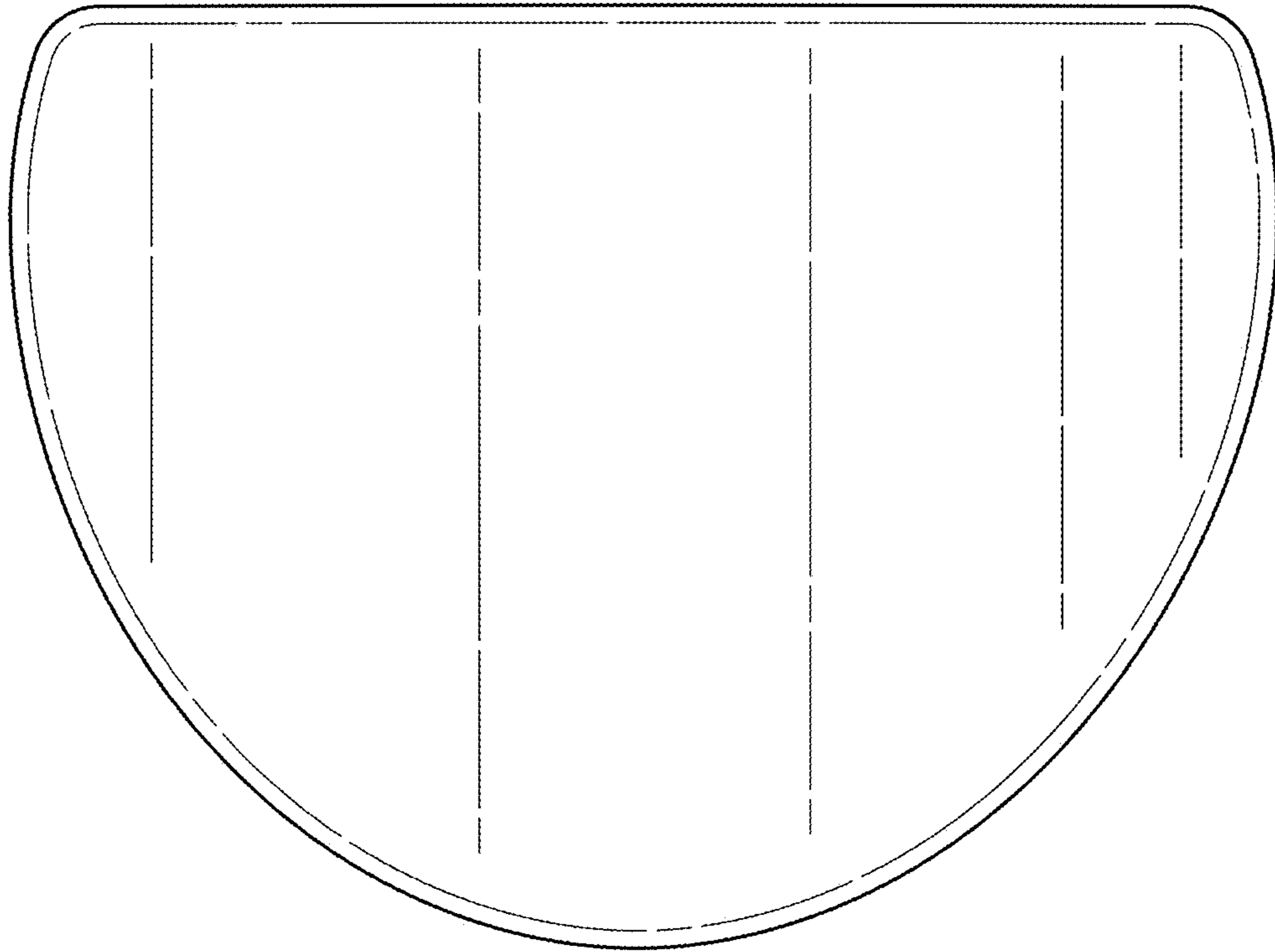


FIG. 4

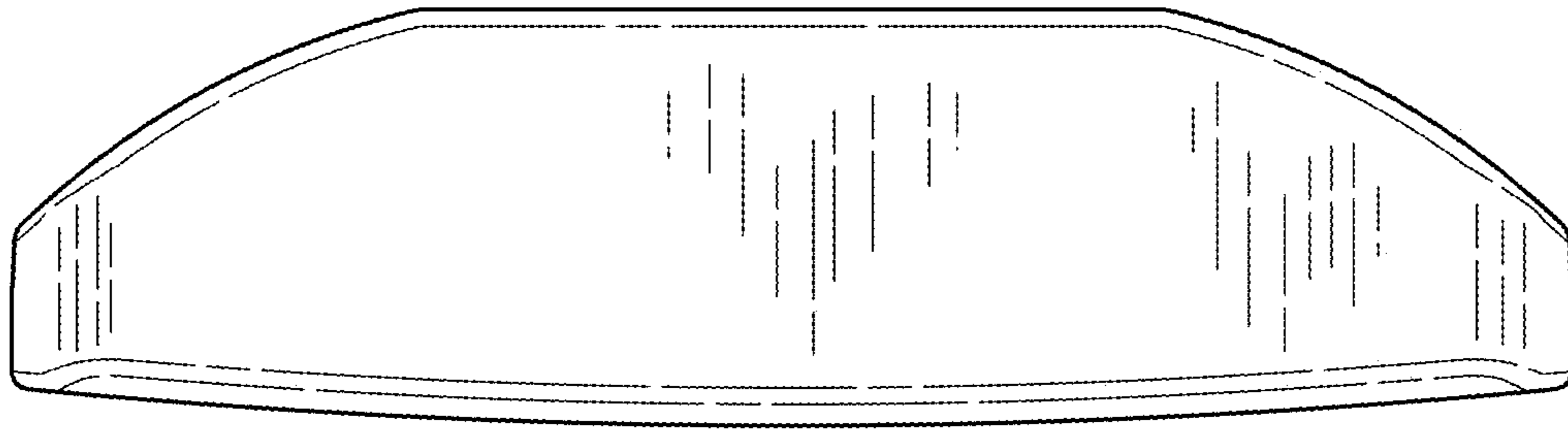


FIG. 5

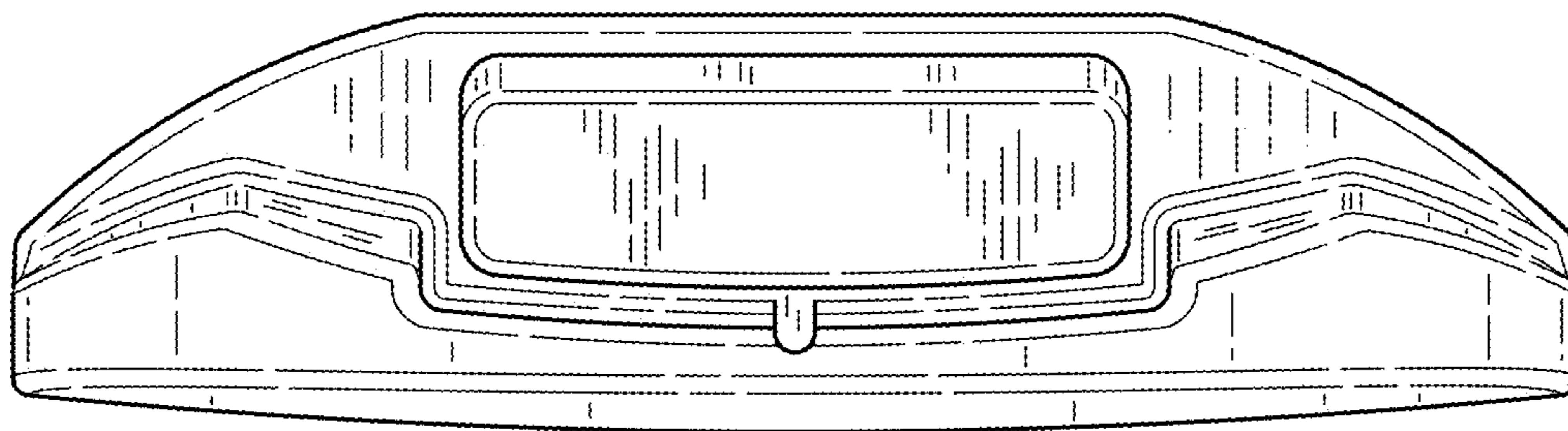


FIG. 6

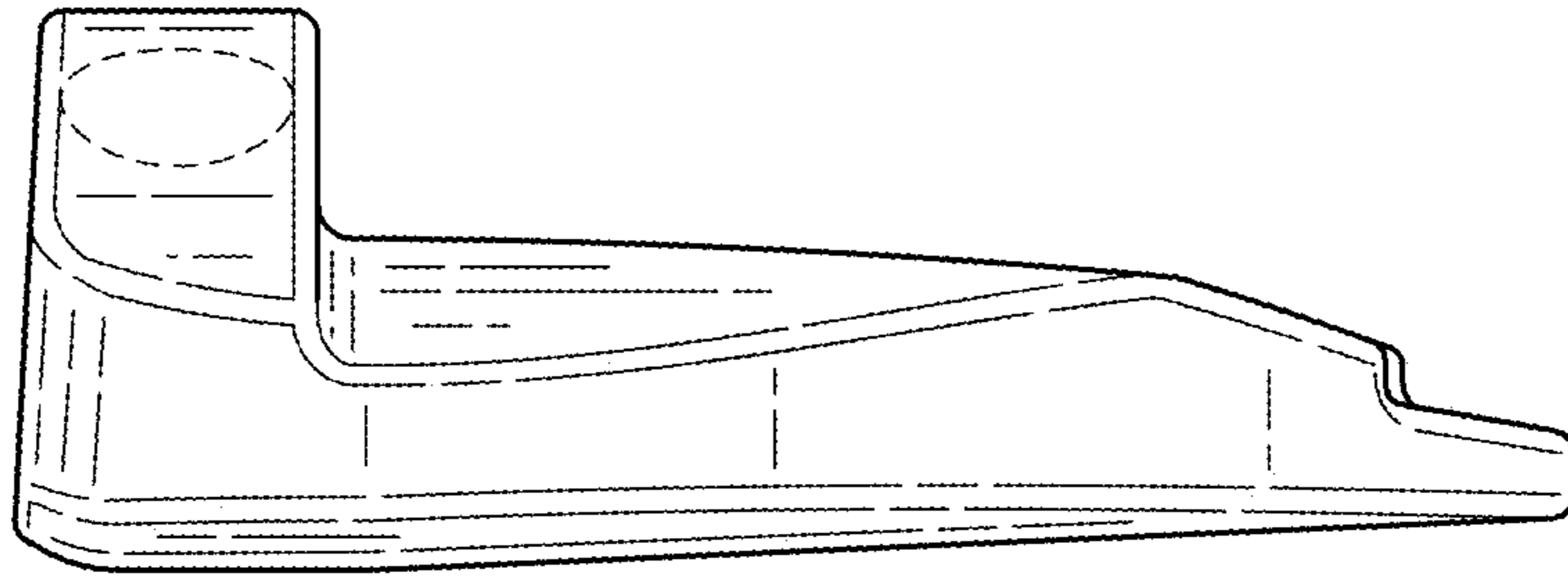


FIG. 7

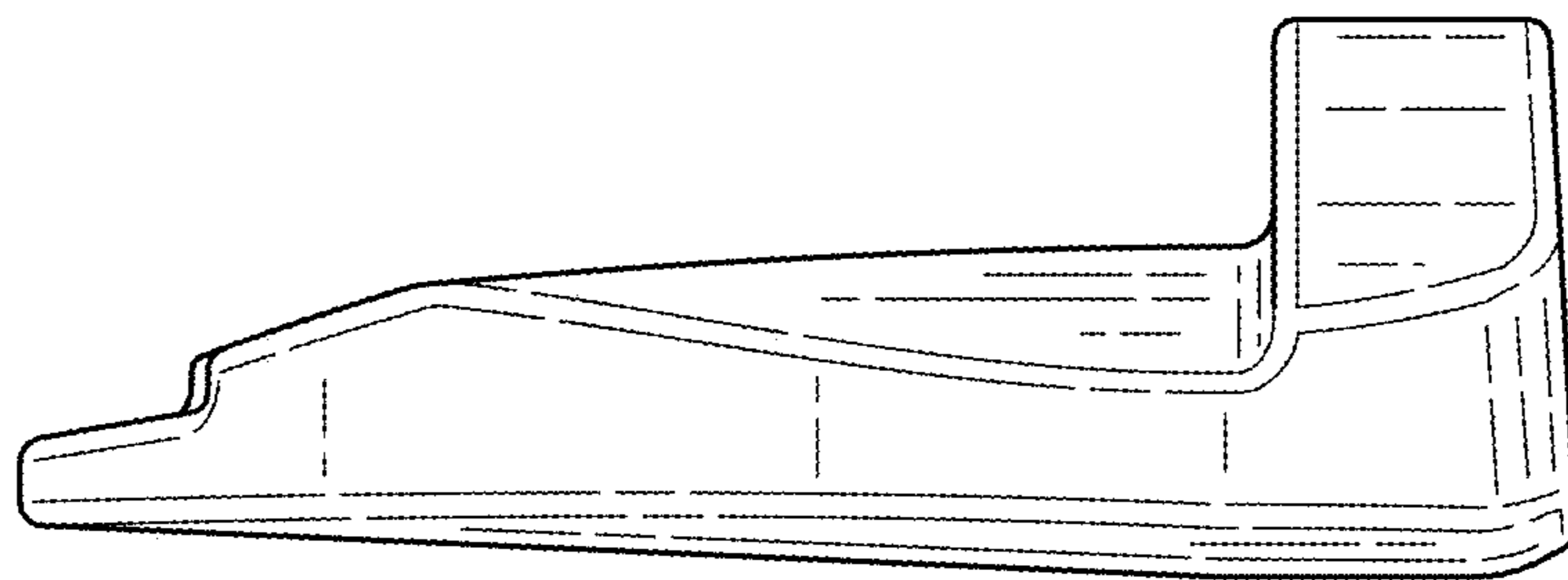


FIG. 8