



US00D961028S

(12) **United States Design Patent**  
**Toulon et al.**

(10) **Patent No.:** **US D961,028 S**  
(45) **Date of Patent:** **\*\* Aug. 16, 2022**

- (54) **PUTTER HEAD**
- (71) Applicant: **Callaway Golf Company**, Carlsbad, CA (US)
- (72) Inventors: **Sean Toulon**, Vista, CA (US); **Luke Williams**, Carlsbad, CA (US); **Patrick Dawson**, San Diego, CA (US); **Gioacchino Glorioso**, Oceanside, CA (US)
- (73) Assignee: **Callaway Golf Company**, Carlsbad, CA (US)

6,905,420 B2 *	6/2005	Tang	.....	A63B 53/0487	473/340
D572,780 S *	7/2008	Rollinson	.....	D21/744	
D592,717 S *	5/2009	Rollinson	.....	D21/742	
D619,665 S *	7/2010	Rollinson	.....	D21/742	
D641,816 S *	7/2011	Rollinson	.....	D21/744	
D650,459 S *	12/2011	Rollinson	.....	D21/746	
D688,340 S *	8/2013	Tang	.....	D21/742	
D704,287 S *	5/2014	Tang	.....	D21/742	
D846,672 S *	4/2019	Rollinson	.....	D21/744	
D888,174 S *	6/2020	Rollinson	.....	D21/744	
D890,277 S *	7/2020	Rollinson	.....	D21/744	
D946,680 S *	3/2022	Rollinson	.....	D21/744	

- (\*\*) Term: **15 Years**
- (21) Appl. No.: **29/761,268**
- (22) Filed: **Dec. 8, 2020**

- (51) **LOC (13) Cl.** ..... **21-02**
- (52) **U.S. Cl.**  
USPC ..... **D21/742**
- (58) **Field of Classification Search**  
USPC ..... D21/736-746, 759  
CPC ..... A63B 53/00; A63B 53/04; A63B 53/007;  
A63B 53/065; A63B 53/0487; A63B  
60/00; A63B 60/46  
See application file for complete search history.

(56) **References Cited**  
U.S. PATENT DOCUMENTS

D457,586 S *	5/2002	Tang	.....	D21/759
D458,656 S *	6/2002	Tang	.....	D21/738
6,506,125 B2 *	1/2003	Helmstetter	.....	A63B 53/0487
				473/340
D470,904 S *	2/2003	Tang	.....	D21/742
D471,940 S *	3/2003	Tang	.....	D21/759
D475,106 S *	5/2003	Tang	.....	D21/759
D485,323 S *	1/2004	Wagner	.....	D21/744

OTHER PUBLICATIONS

Callaway putters goggle search; goggle search; Jun. 1, 2022.\*  
Callaway golf; <https://www.callawaygolf.com/clubs/odyssey-putters/womens-white-hot-og/>; Jun. 1, 2022.\*

\* cited by examiner

*Primary Examiner* — Mitchell I. Siegel  
(74) *Attorney, Agent, or Firm* — Rebecca Hanovice;  
Michael Catania; Sonia Lari

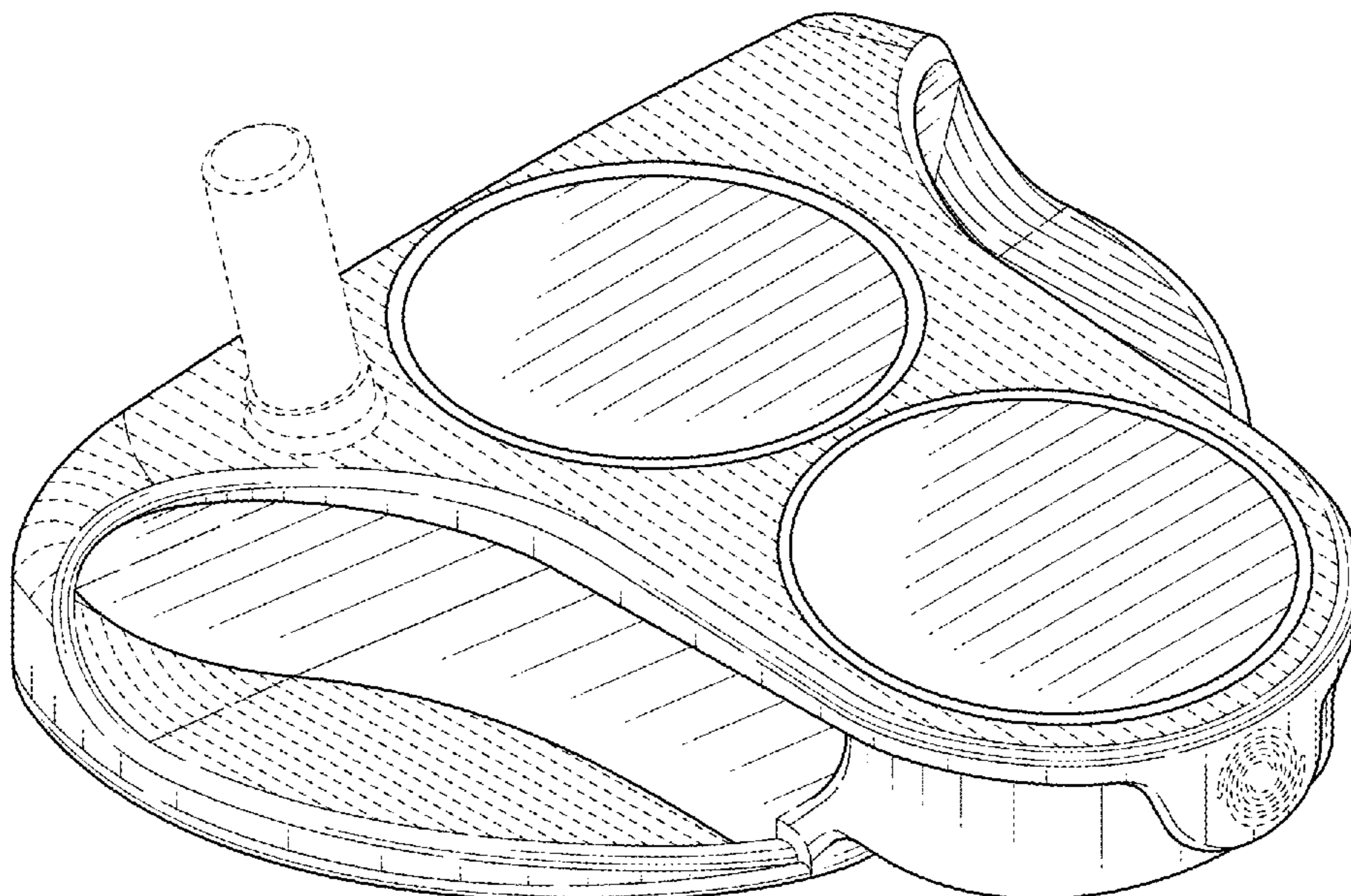
(57) **CLAIM**

The ornamental design for a putter head, as shown and described.

**DESCRIPTION**

FIG. 1 is a top perspective view of the putter head claimed herein;  
FIG. 2 is a front elevational view thereof;  
FIG. 3 is a rear elevational view thereof;  
FIG. 4 is a left side elevational view thereof;  
FIG. 5 is a right side elevational view thereof;  
FIG. 6 is a top plan view thereof; and,  
FIG. 7 is a bottom plan view thereof.  
The broken lines shown form no part of the claimed design.

**1 Claim, 5 Drawing Sheets**



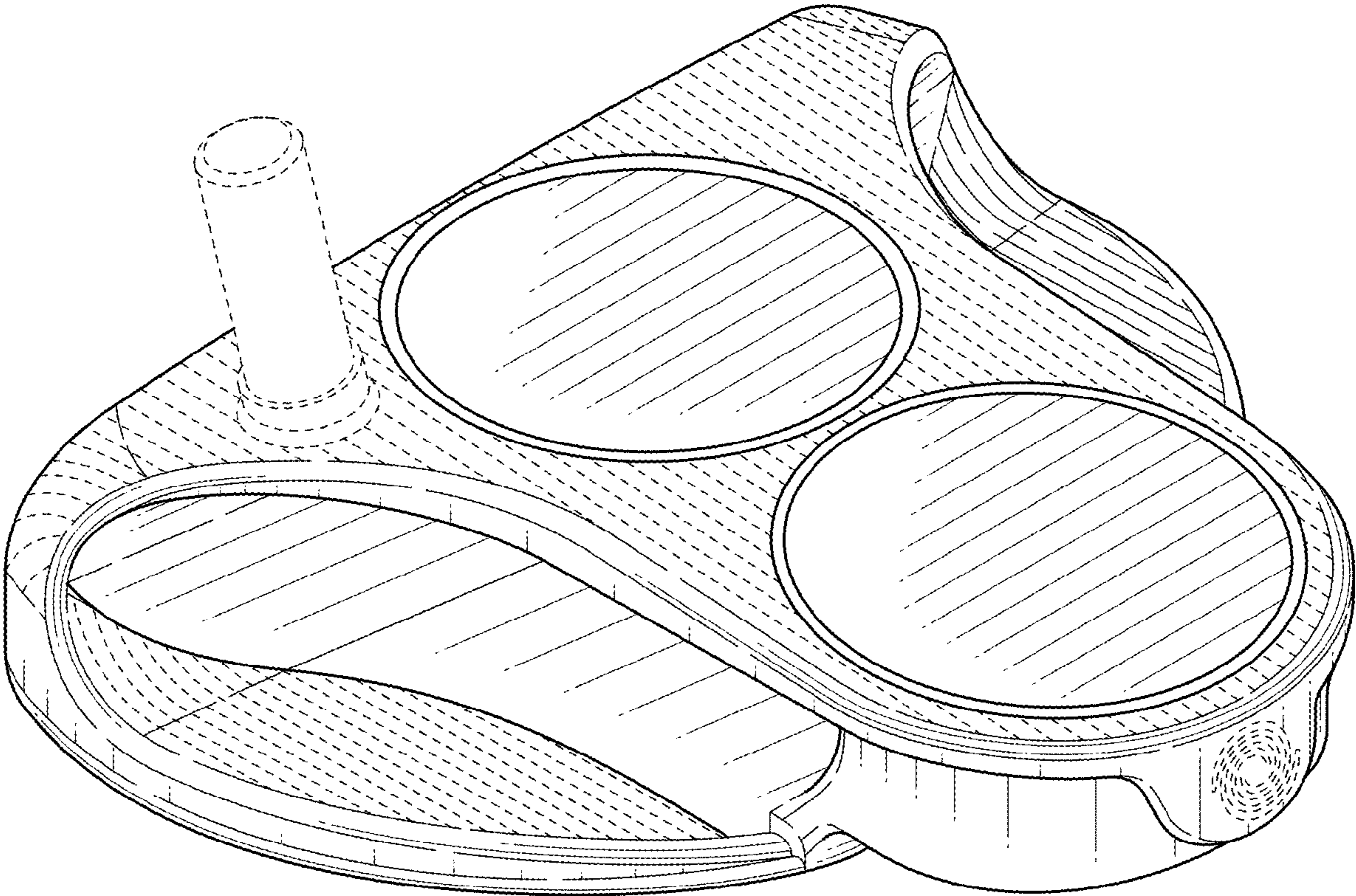


FIG. 1



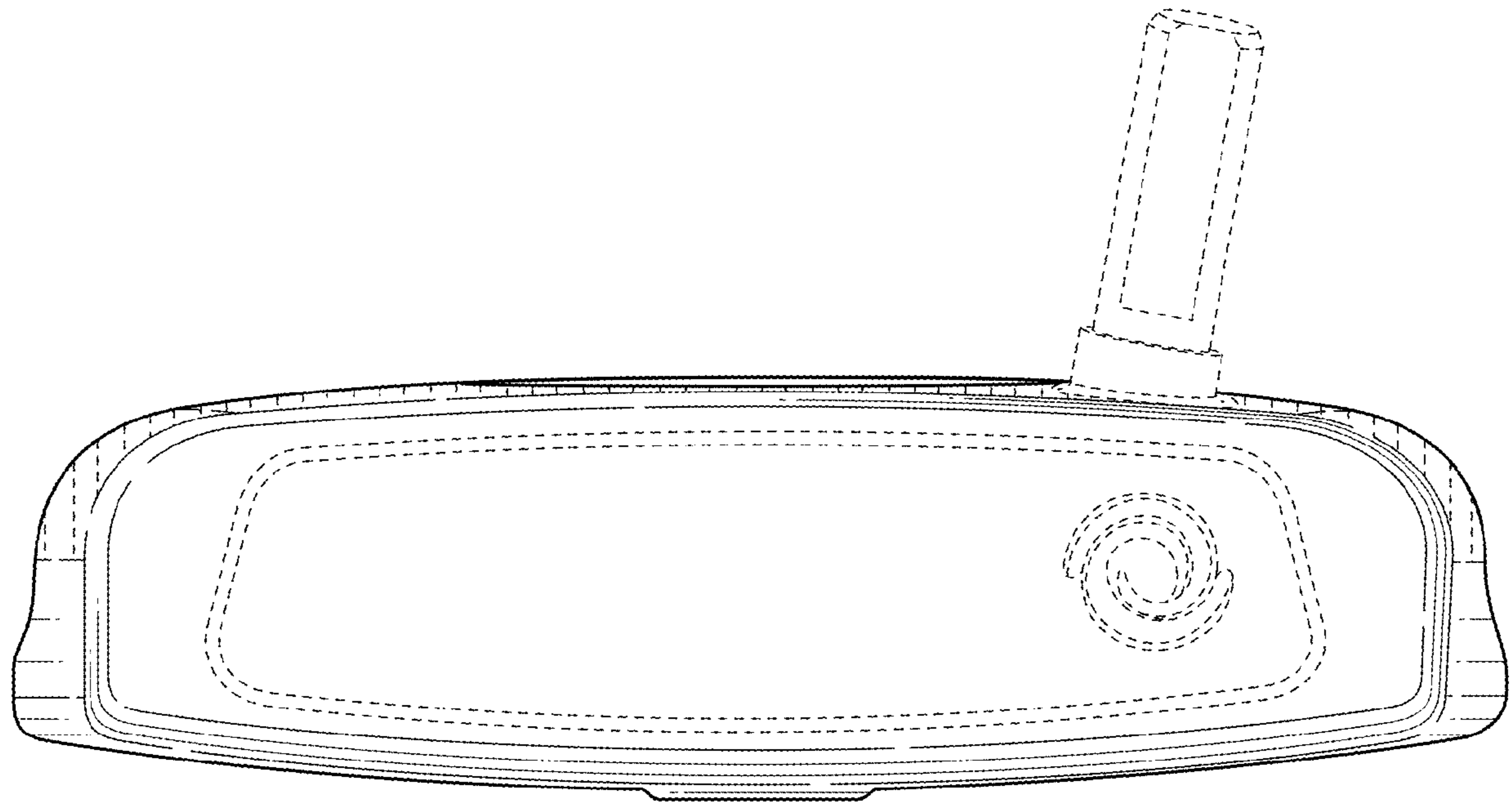


FIG. 2

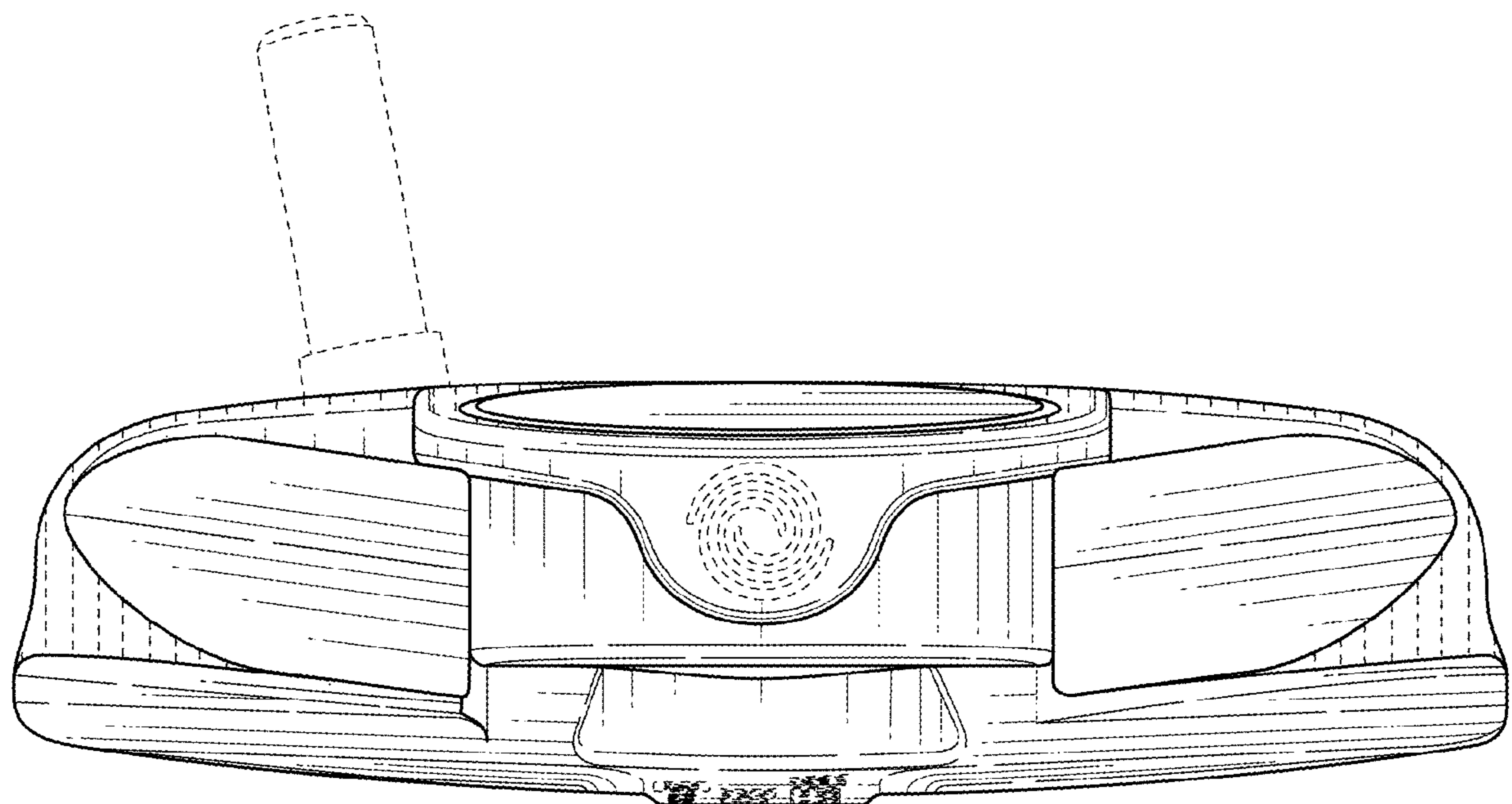


FIG. 3

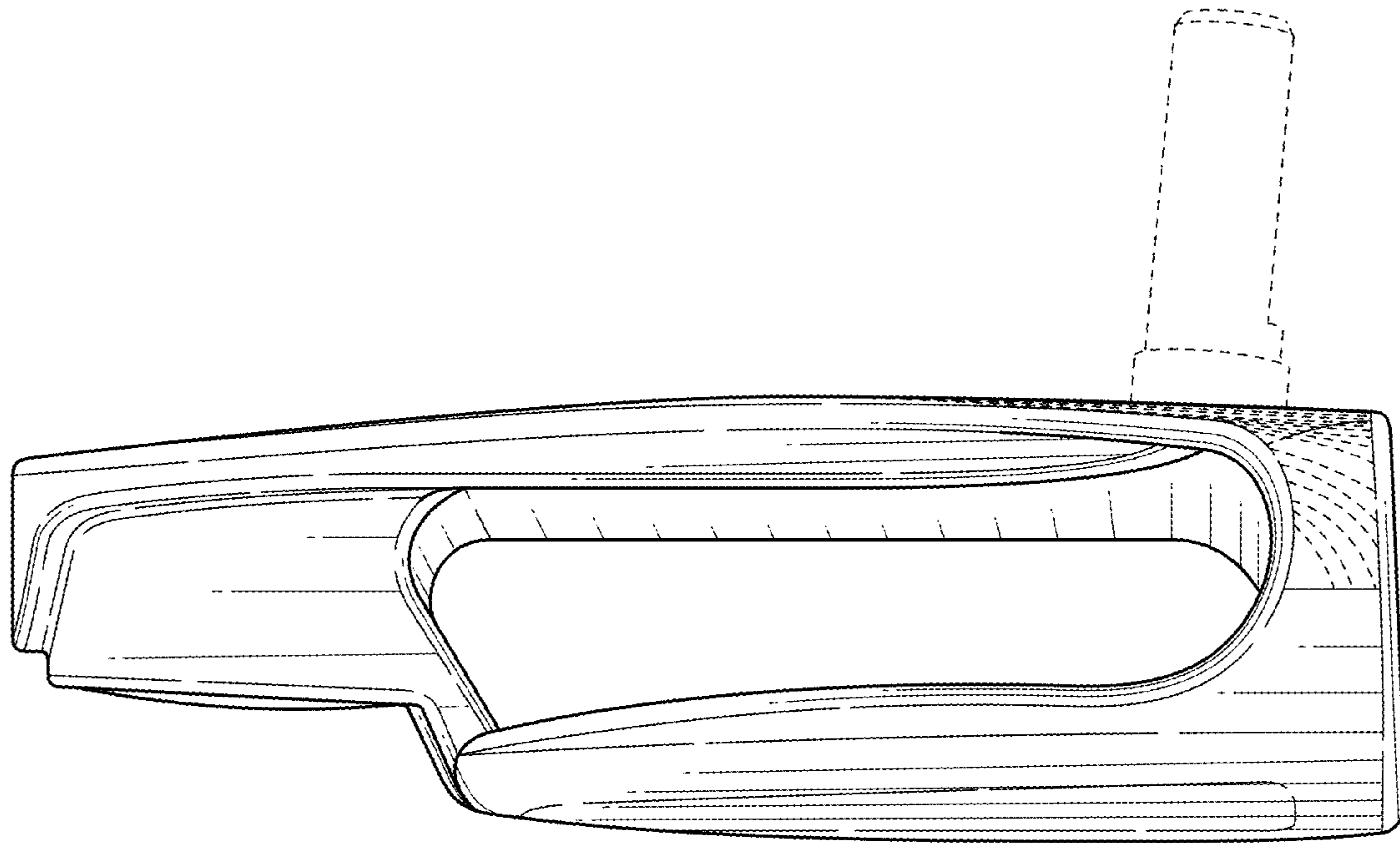


FIG. 4

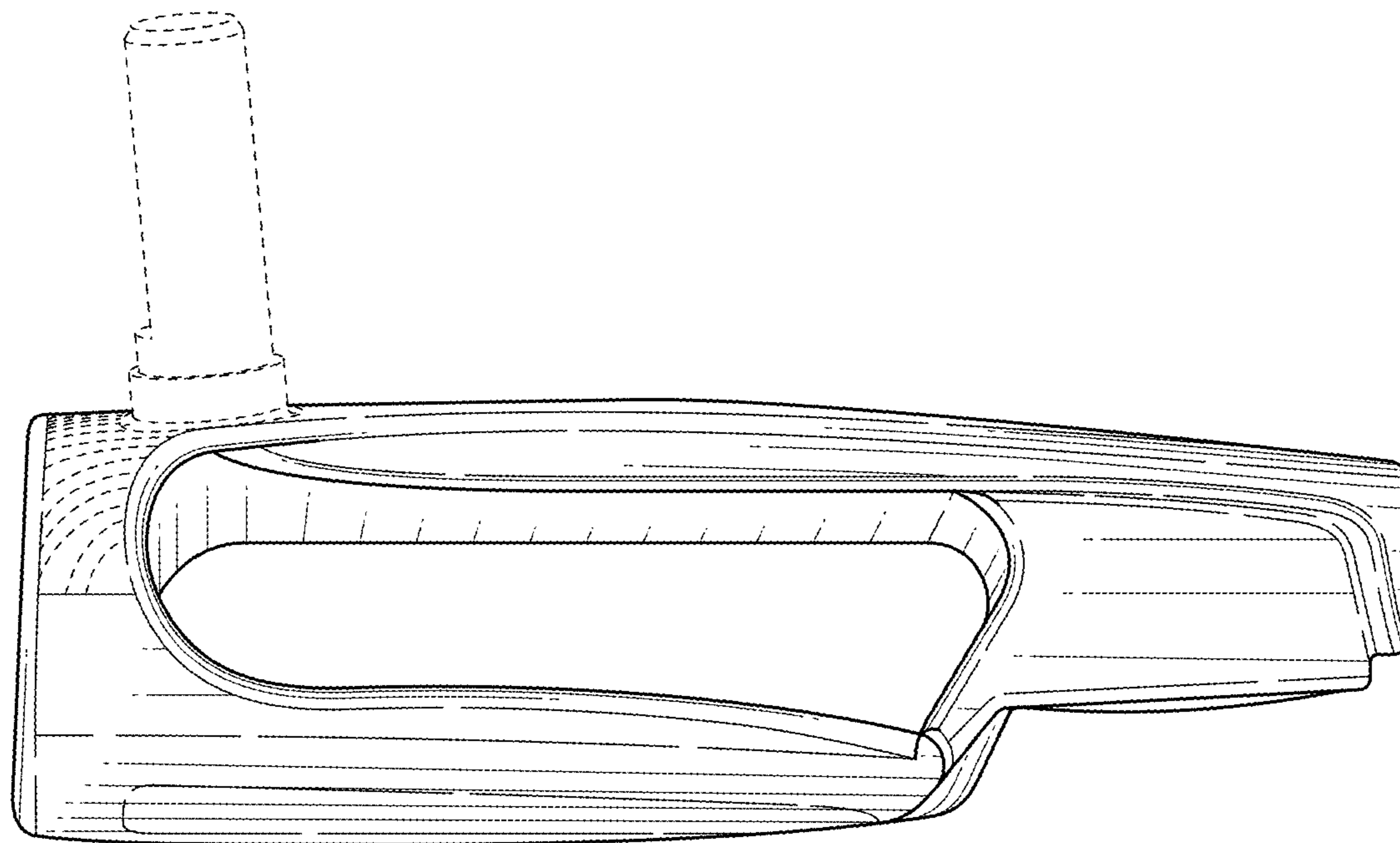


FIG. 5

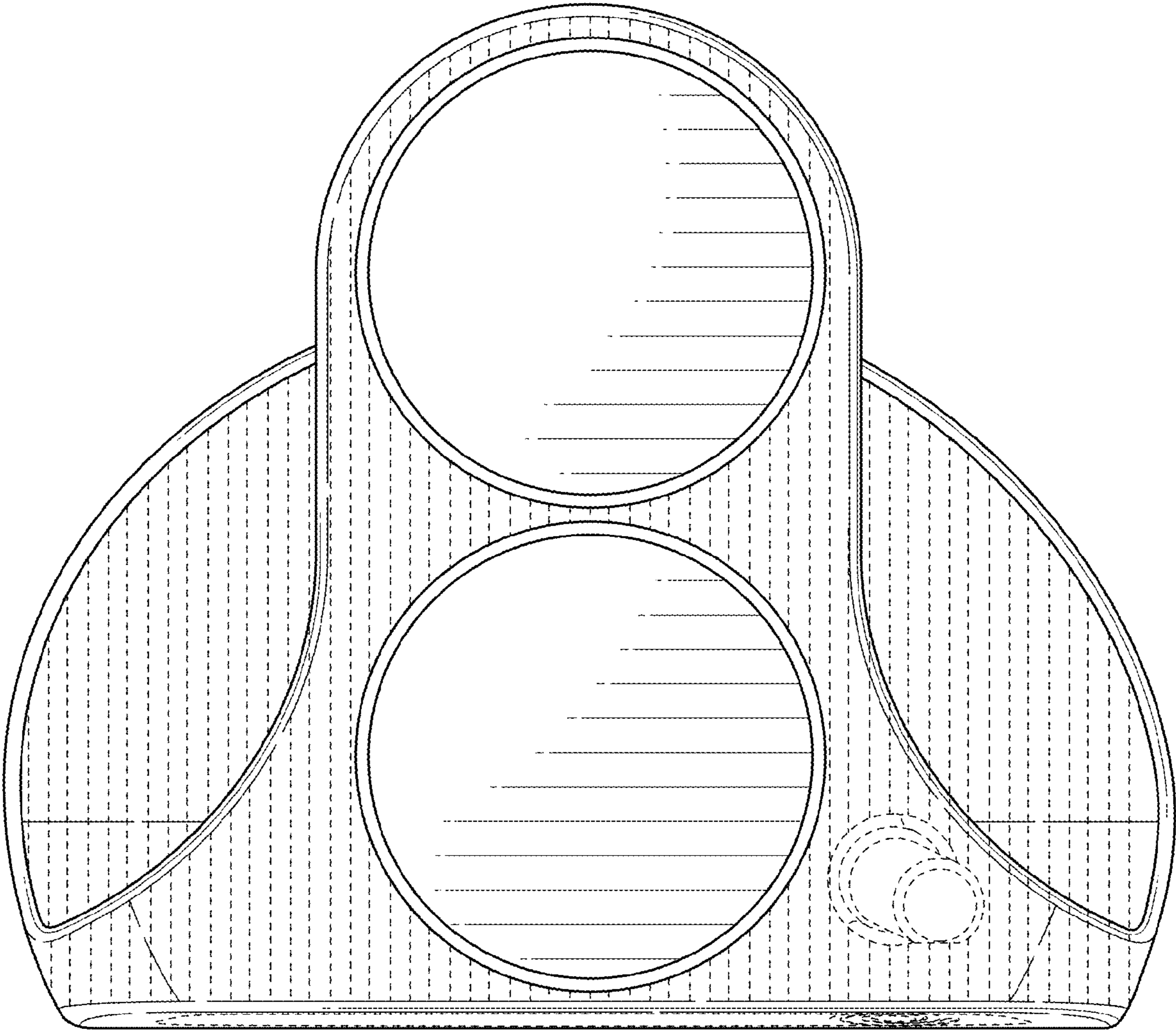


FIG. 6

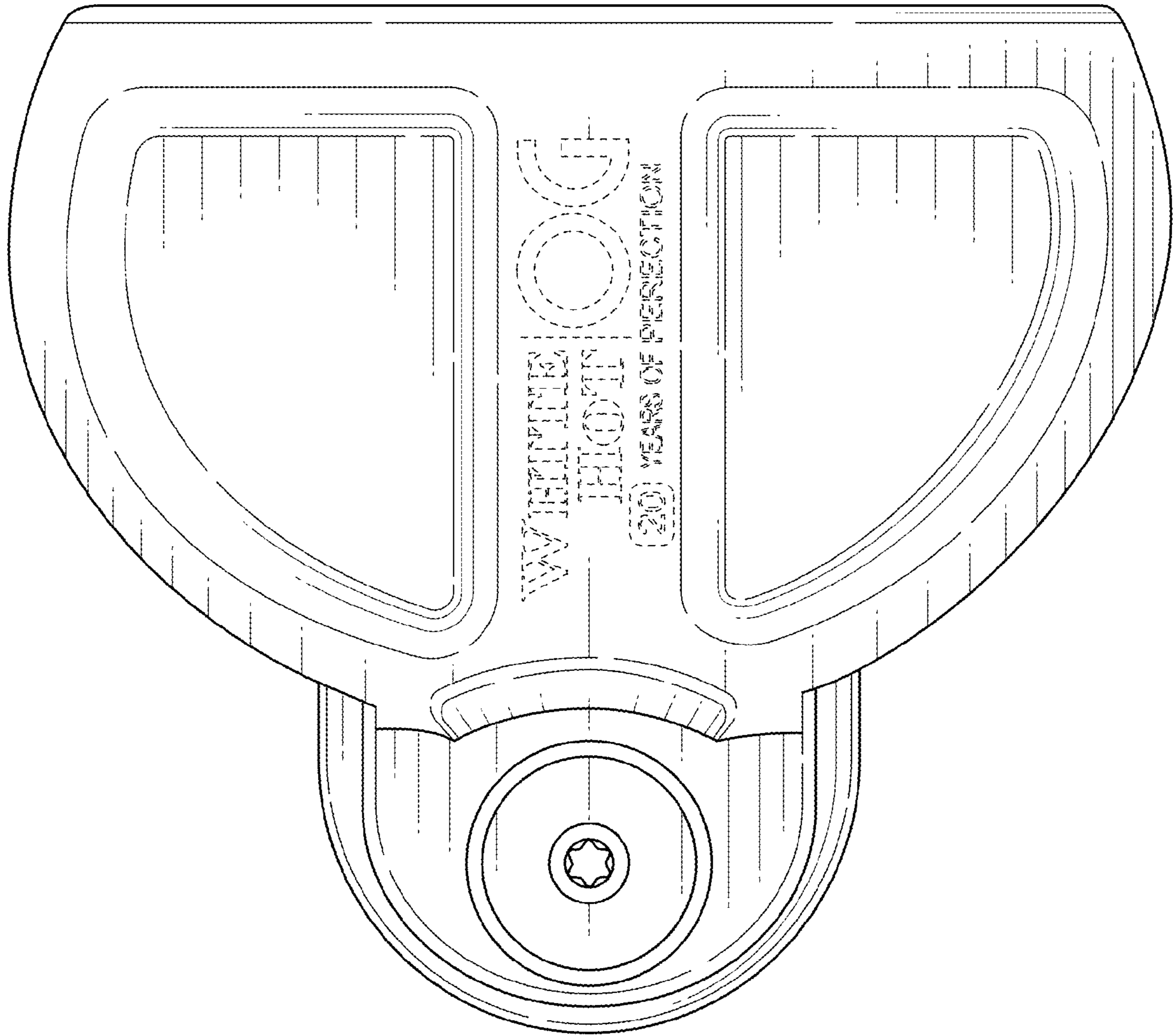


FIG. 7