



US00D961025S

(12) **United States Design Patent** (10) **Patent No.:** **US D961,025 S**  
**Chen** (45) **Date of Patent:** **\*\* Aug. 16, 2022**

(54) **FOLDABLE HORIZONTAL BAR**  
(71) Applicant: **Gerry Chen**, Queens, NY (US)  
(72) Inventor: **Gerry Chen**, Queens, NY (US)  
(\*\*) Term: **15 Years**  
(21) Appl. No.: **29/771,686**  
(22) Filed: **Feb. 24, 2021**  
(51) **LOC (13) Cl.** ..... **21-02**  
(52) **U.S. Cl.**  
USPC ..... **D21/691**  
(58) **Field of Classification Search**  
USPC ..... D21/662, 679, 686, 691, 694, 690;  
482/25, 38, 39, 41, 104, 130, 131, 141,  
482/142  
CPC . A63B 1/00; A63B 21/068; A63B 2208/0204;  
A63B 23/1209; A63B 23/1218; A63B  
23/1236; A63B 2210/50; A63B 23/12;  
A63B 21/00047  
See application file for complete search history.

(56) **References Cited**  
U.S. PATENT DOCUMENTS  
1,111,268 A 9/1914 Medart  
2,533,324 A \* 12/1950 Mendle ..... A47G 25/0664  
211/206  
2,793,764 A \* 5/1957 Stork ..... A47F 7/24  
403/230  
2,932,510 A \* 4/1960 Kravitz ..... A63B 3/00  
482/17  
3,118,668 A \* 1/1964 Callahan ..... A63B 21/078  
211/44  
4,241,914 A \* 12/1980 Bushnell ..... A63B 21/00181  
482/130  
D280,841 S \* 10/1985 Dzitser ..... D21/690  
4,696,470 A \* 9/1987 Fenner ..... A63B 1/00  
482/17  
5,156,580 A 10/1992 Holland  
5,277,676 A \* 1/1994 Holland ..... A63B 1/00  
606/241  
5,290,209 A \* 3/1994 Wilkinson ..... A63B 21/00047  
482/141

5,389,055 A \* 2/1995 Gangloff ..... A63B 21/4045  
482/142  
5,501,647 A \* 3/1996 Snyder ..... A63B 1/00  
482/52  
D371,586 S \* 7/1996 Snyder ..... D21/691  
5,617,962 A 4/1997 Robertson  
D381,715 S \* 7/1997 Reeder ..... D21/691  
(Continued)

**OTHER PUBLICATIONS**

Zenova Foldable Gymnastics Training Horizontal Bar Overstock.  
com [https://www.overstock.com/Sports-Toys/Home-Gyms/27948/subcat.html?featuredproduct=32586881&featuredoption=60441026&kid=9553000357392&ci\\_src=17588969&ci\\_sku=37144966-000-000&cnc=US&guid=3c9a9357-47d7-485d-9f38-995144f6092c&sponsoredproductid=23225589&cid=248973&type=.](https://www.overstock.com/Sports-Toys/Home-Gyms/27948/subcat.html?featuredproduct=32586881&featuredoption=60441026&kid=9553000357392&ci_src=17588969&ci_sku=37144966-000-000&cnc=US&guid=3c9a9357-47d7-485d-9f38-995144f6092c&sponsoredproductid=23225589&cid=248973&type=)  
(Continued)

*Primary Examiner* — Ryan Harvey

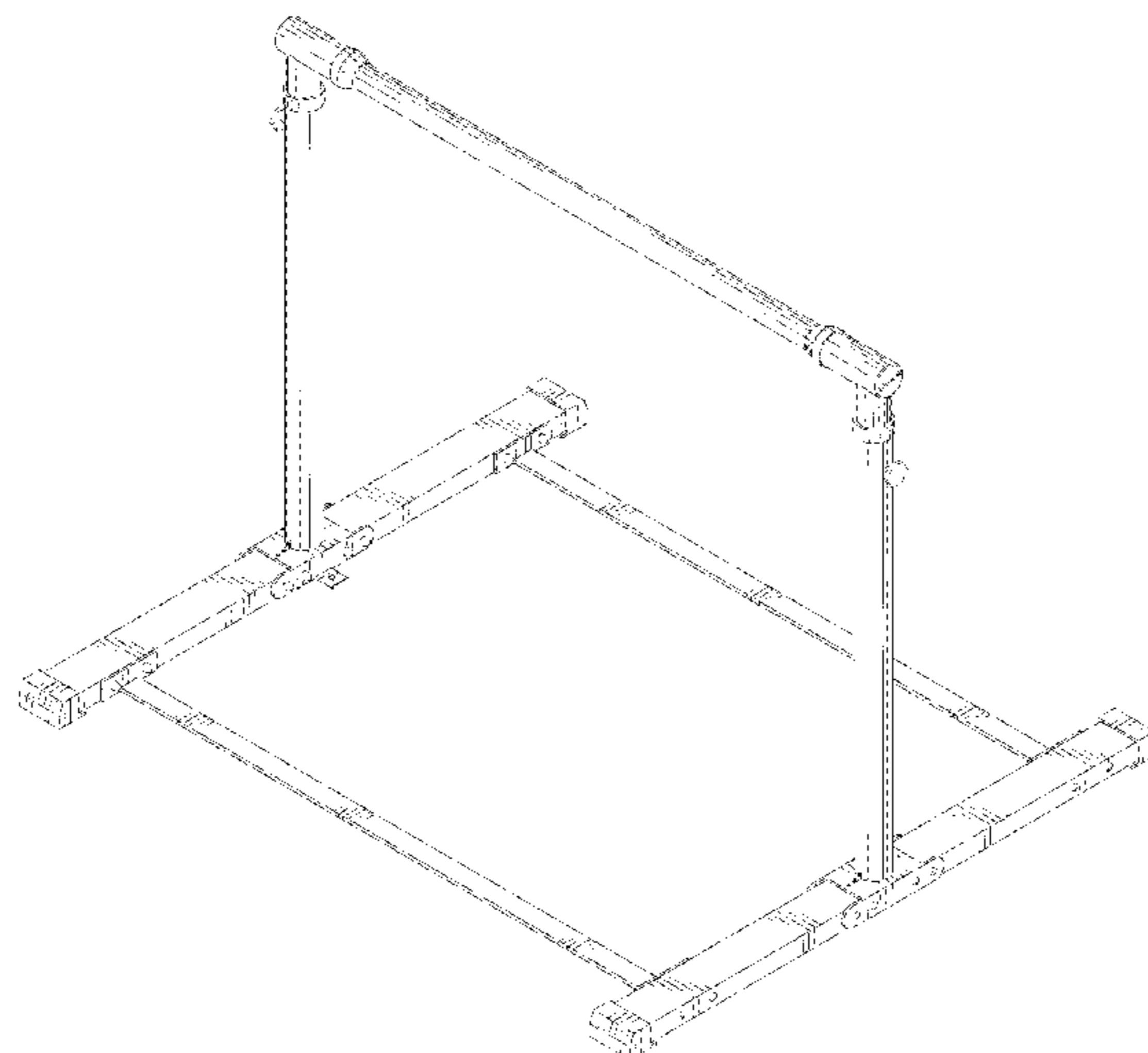
(57) **CLAIM**

The ornamental design for a foldable horizontal bar, as shown and described.

**DESCRIPTION**

FIG. 1 is a top front perspective view of a foldable horizontal bar showing my new design;  
FIG. 2 is a bottom rear perspective view thereof;  
FIG. 3 is a front elevational view thereof;  
FIG. 4 is a rear elevational view thereof;  
FIG. 5 is a top plan view thereof;  
FIG. 6 is a bottom plan view thereof;  
FIG. 7 is a right elevational view thereof;  
FIG. 8 is a left elevational view thereof;  
FIG. 9 is a top front perspective view of the foldable horizontal bar in a first folded configuration; and,  
FIG. 10 is a bottom rear perspective view thereof.  
The broken line showing of portions of the foldable horizontal bar forms no part of the claim.

**1 Claim, 10 Drawing Sheets**



(56)

References Cited

U.S. PATENT DOCUMENTS

5,662,556 A \* 9/1997 Gangloff ..... A63B 1/005  
482/17  
D387,180 S \* 12/1997 Meadows ..... D25/66  
D487,124 S \* 2/2004 Toniolo ..... D21/691  
7,476,187 B2 \* 1/2009 Corte ..... A63B 1/00  
482/141  
7,608,029 B2 \* 10/2009 Weiss ..... A63B 1/00  
482/130  
D617,400 S \* 6/2010 Hetzel ..... D21/691  
8,079,915 B2 \* 12/2011 Spencer ..... A63G 9/00  
472/118  
D667,904 S \* 9/2012 DeFrancisci ..... D21/691  
8,376,291 B1 \* 2/2013 Groves ..... B25H 1/04  
182/180.1  
9,895,564 B1 \* 2/2018 Katz ..... A63B 23/0211  
10,071,275 B2 9/2018 Beaver et al.  
D844,078 S \* 3/2019 Salomone ..... D21/691  
10,357,675 B1 \* 7/2019 Katz ..... A63B 21/00047  
10,441,841 B2 \* 10/2019 Biddix, Jr. .... A63B 21/4035  
D875,266 S \* 2/2020 Qiu ..... D24/213  
10,821,313 B2 \* 11/2020 Tuller ..... A63B 21/0722  
D927,610 S \* 8/2021 Song ..... D21/679  
2002/0121493 A1 9/2002 Wang  
2004/0129661 A1 \* 7/2004 Segall ..... F16M 11/42  
211/206  
2005/0209054 A1 \* 9/2005 Thomas Lebert . A63B 21/4035  
482/41  
2007/0010375 A1 1/2007 Corte

2007/0163974 A1 \* 7/2007 Lai ..... A47G 25/0664  
211/85.3  
2009/0023566 A1 \* 1/2009 Florczak ..... A63B 21/4035  
482/142  
2009/0176621 A1 \* 7/2009 Kopp ..... A63B 1/00  
482/25  
2010/0190612 A1 \* 7/2010 Cook ..... A63B 71/023  
482/148  
2011/0183823 A1 \* 7/2011 Priday ..... A63B 21/0783  
482/131  
2013/0345026 A1 \* 12/2013 Eberflus ..... A63B 1/00  
482/38  
2016/0136472 A1 \* 5/2016 Kwo ..... A63B 1/00  
482/38  
2017/0095402 A1 \* 4/2017 Qiu ..... A61H 39/04  
2017/0120099 A1 5/2017 Biddix, Jr.  
2020/0009436 A1 \* 1/2020 Hoffmann ..... A63B 1/00  
2020/0078627 A1 3/2020 Landsman  
2020/0114190 A1 \* 4/2020 Tuller ..... A63B 21/0724  
2020/0121555 A1 \* 4/2020 Qiu ..... A61H 37/00  
2020/0147434 A1 \* 5/2020 Garcia, Jr. .... A63B 21/0004

OTHER PUBLICATIONS

Gymnastic bar for kids Adjustable Horizontal Junior training Kip bars with Mat Optional Ideal for Gymnasts 1-4 levels for home, <https://www.amazon.com/dp/B07XQ1WQWD>.  
Whitmor Foldable Collapsible Garment Rack Silver Metal, <https://www.target.com/p/whitmor-foldable-collapsible-garment-rack-silver-metal/-/A-52281506>.

\* cited by examiner

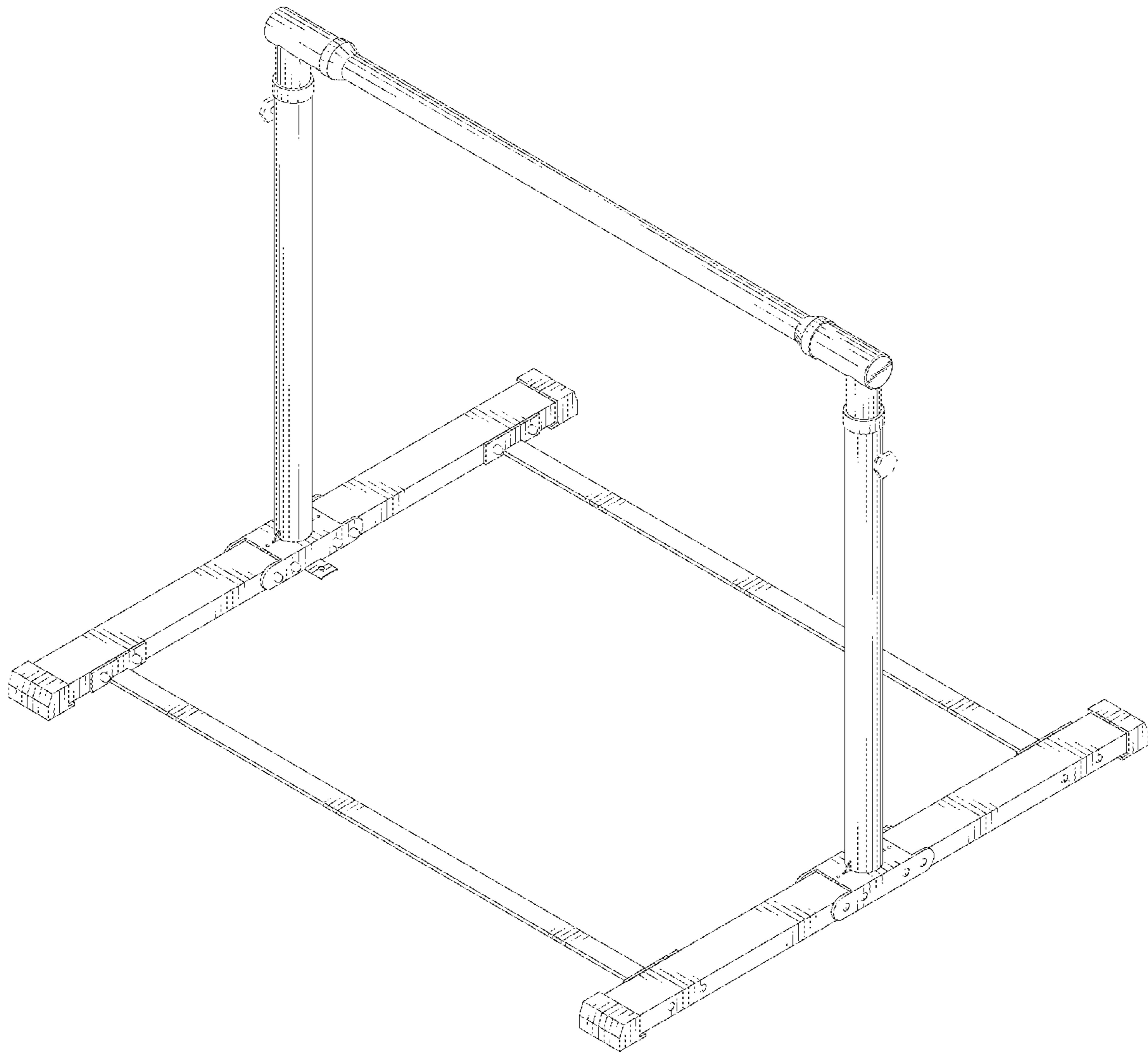


FIG. 1

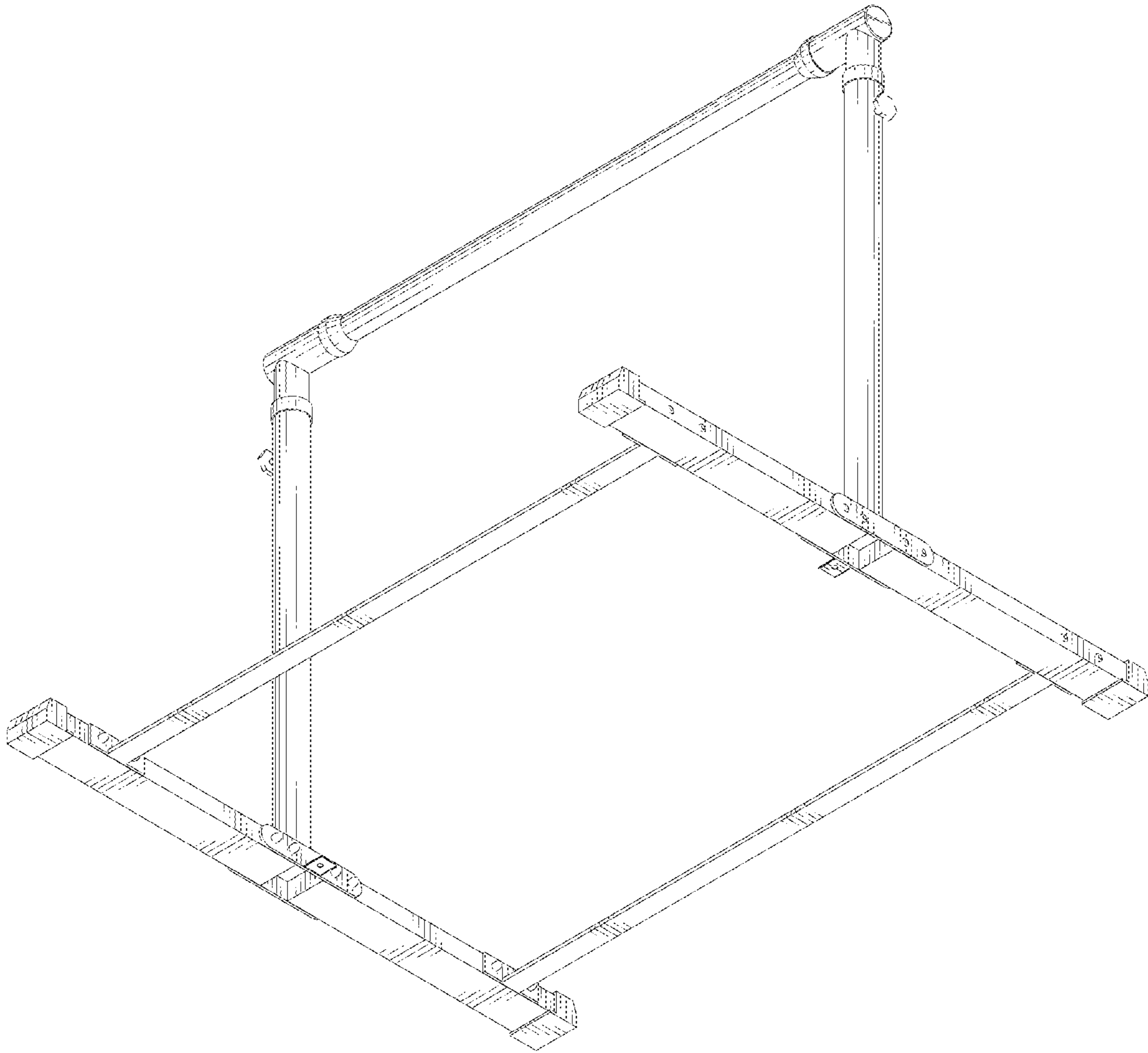


FIG. 2

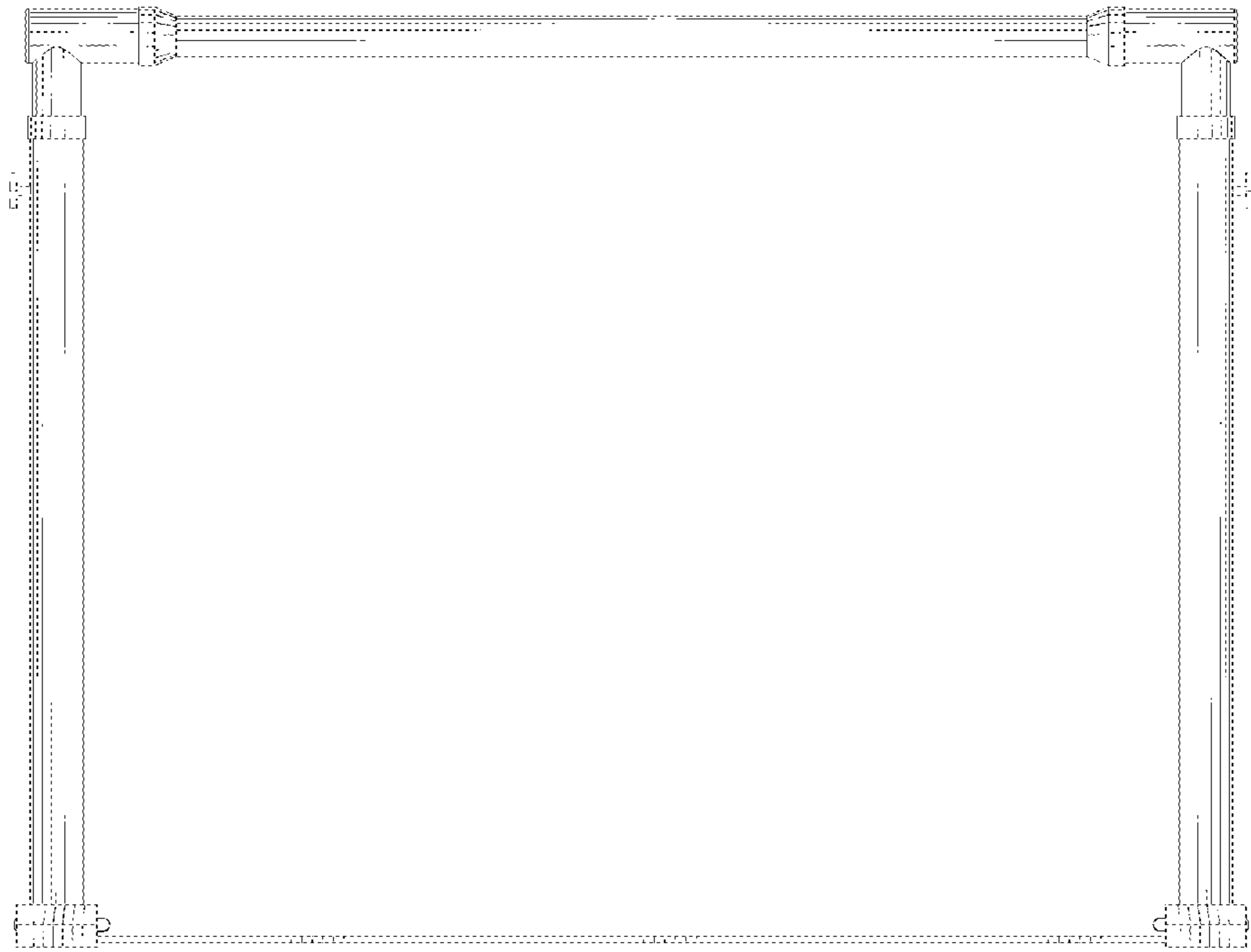


FIG. 3

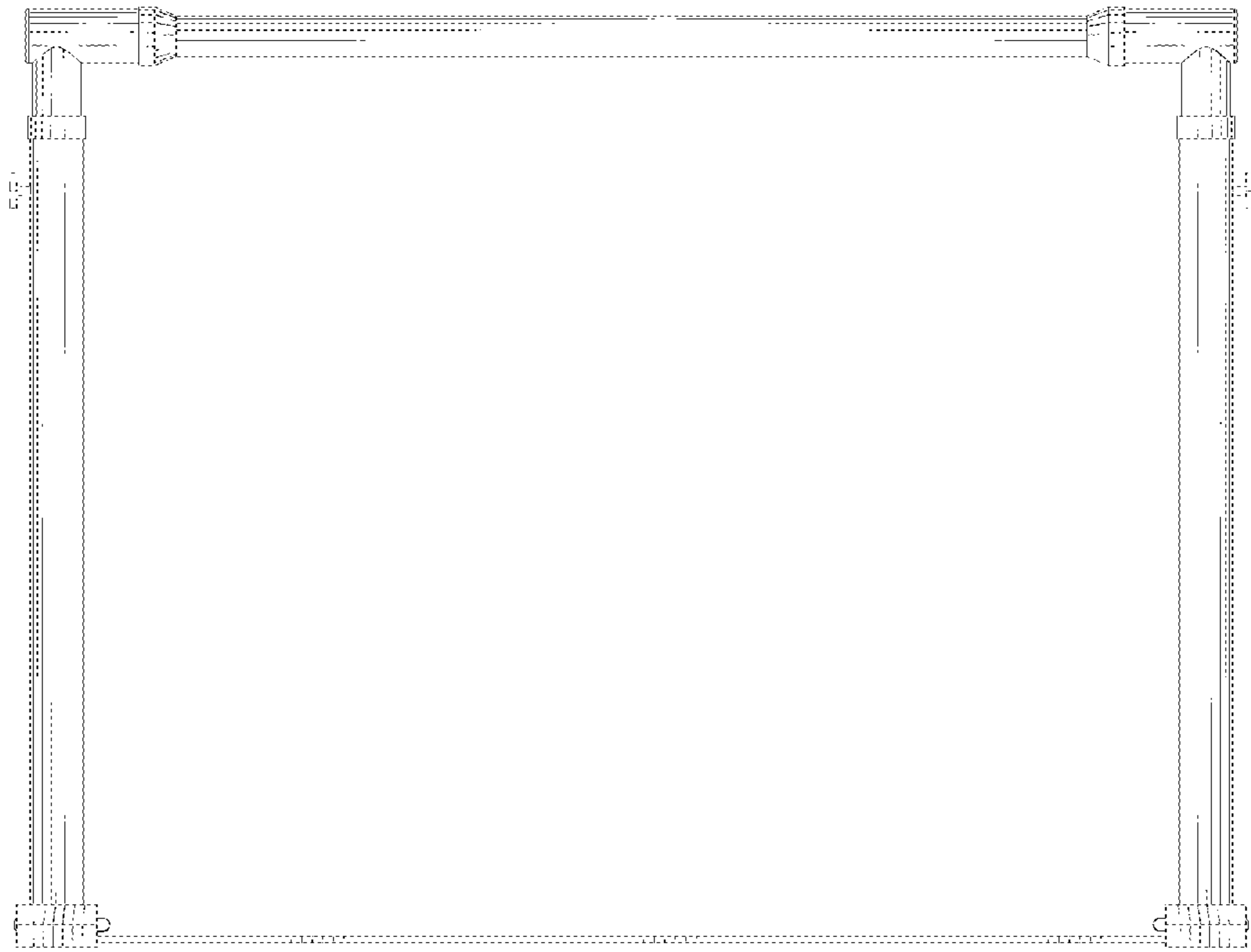


FIG. 4

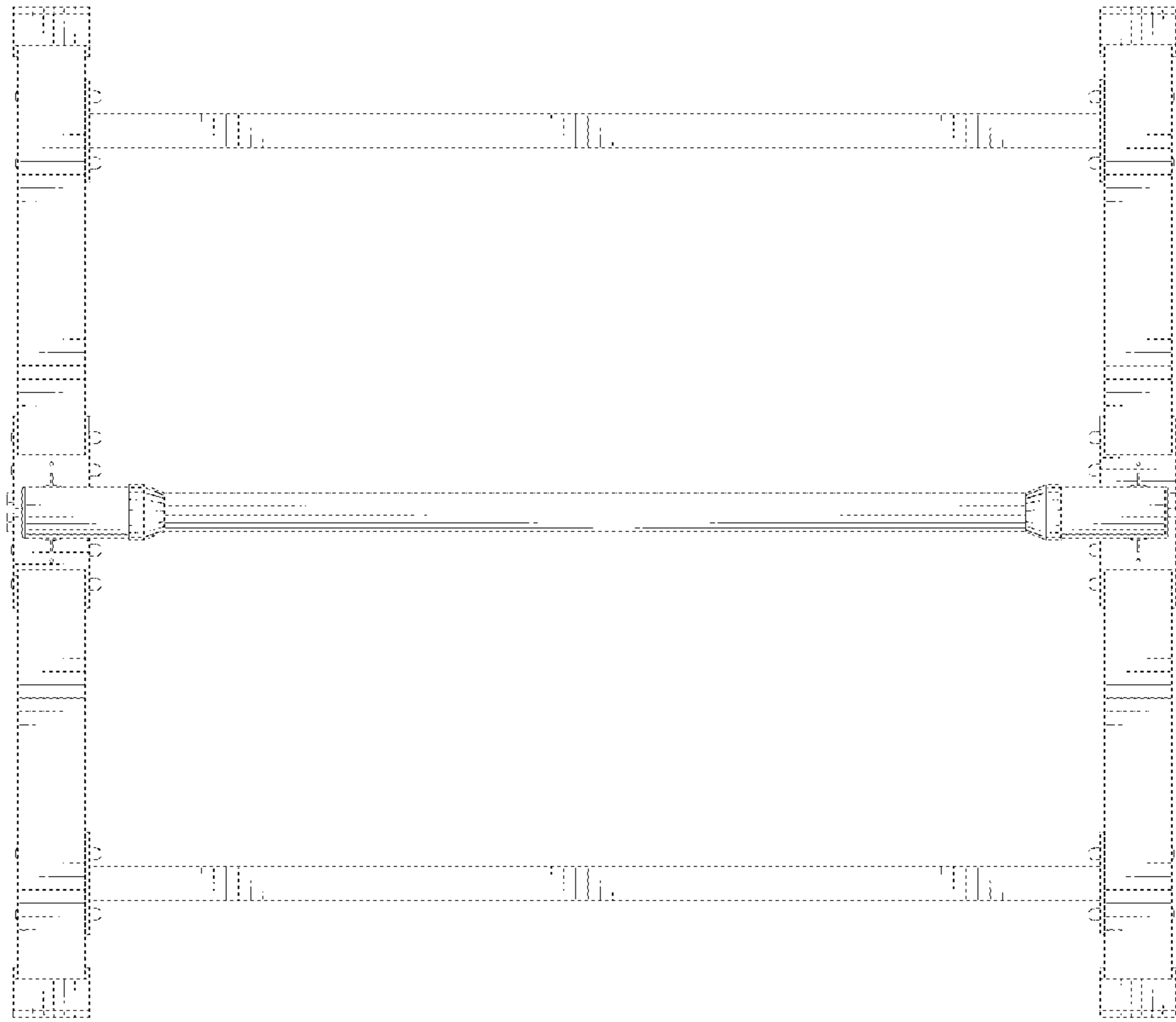


FIG. 5

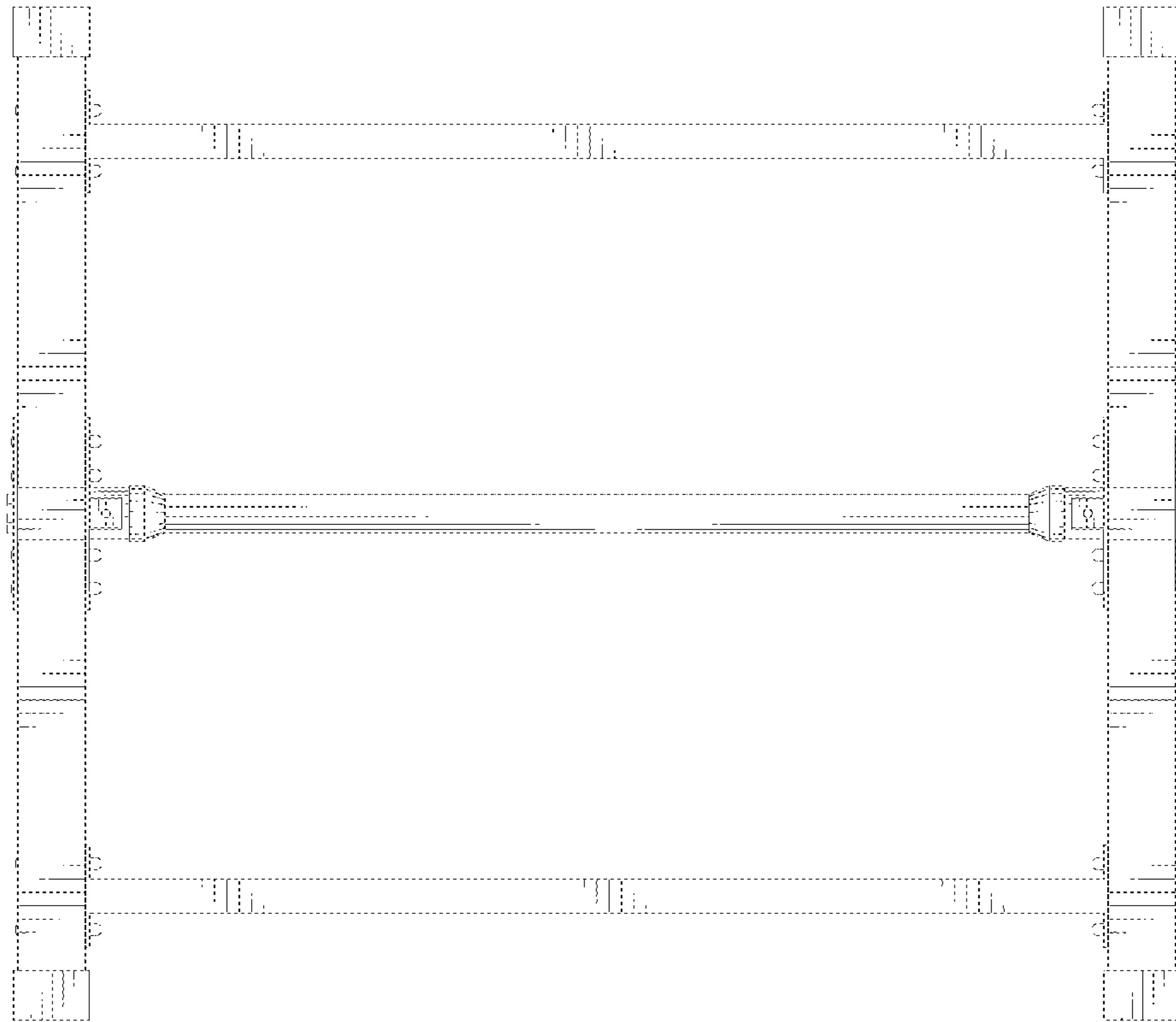


FIG. 6



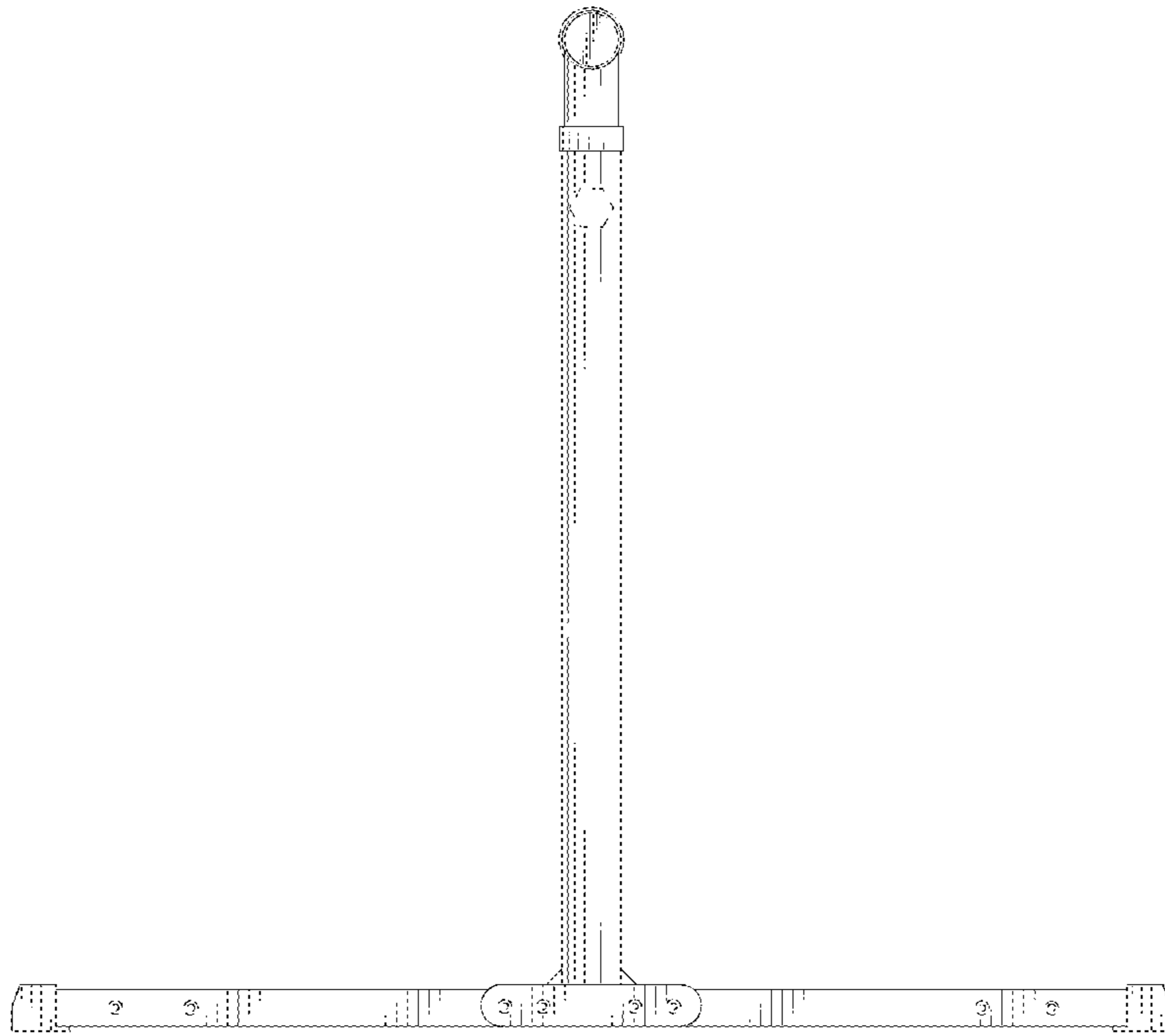


FIG. 7

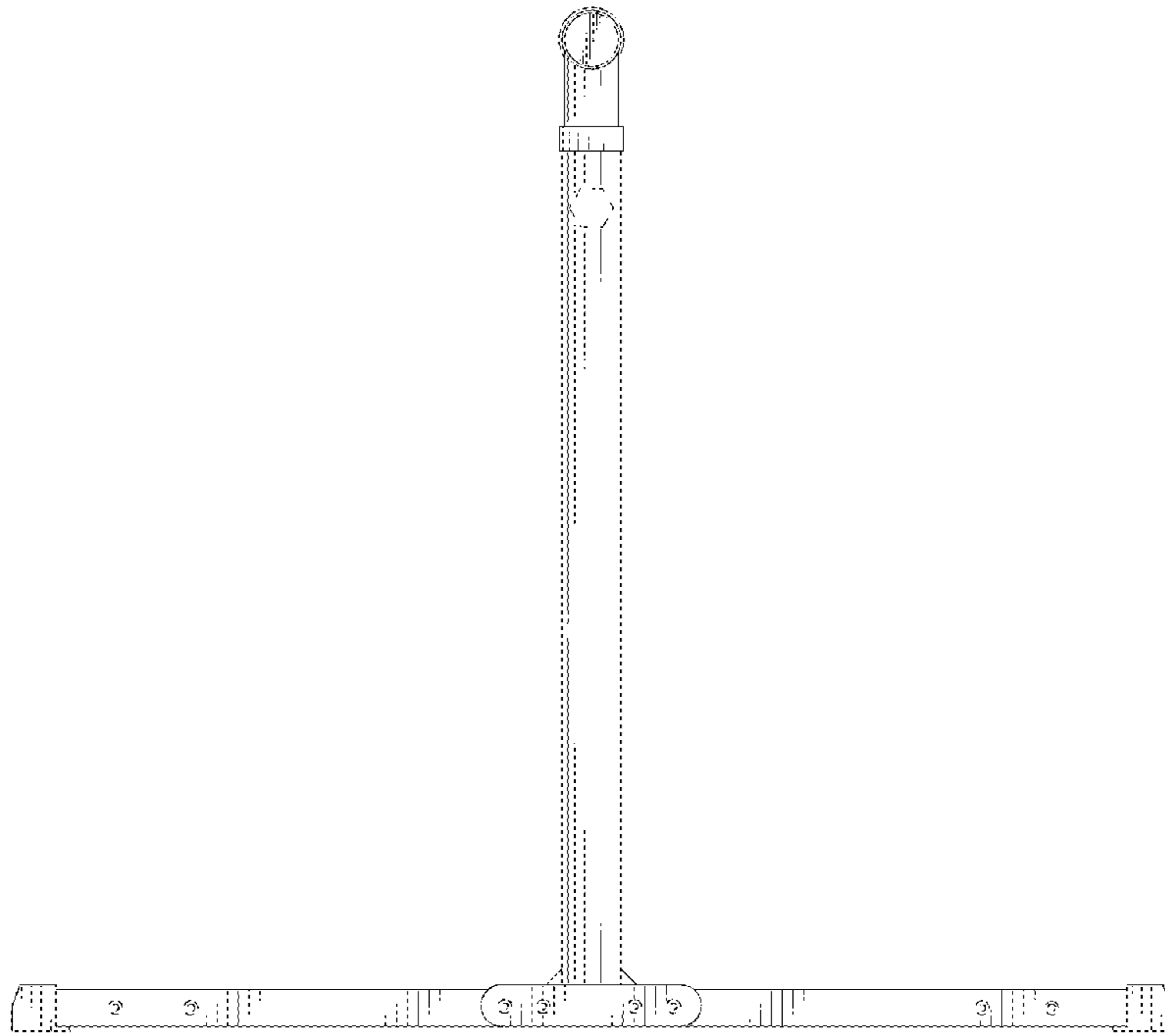


FIG. 8

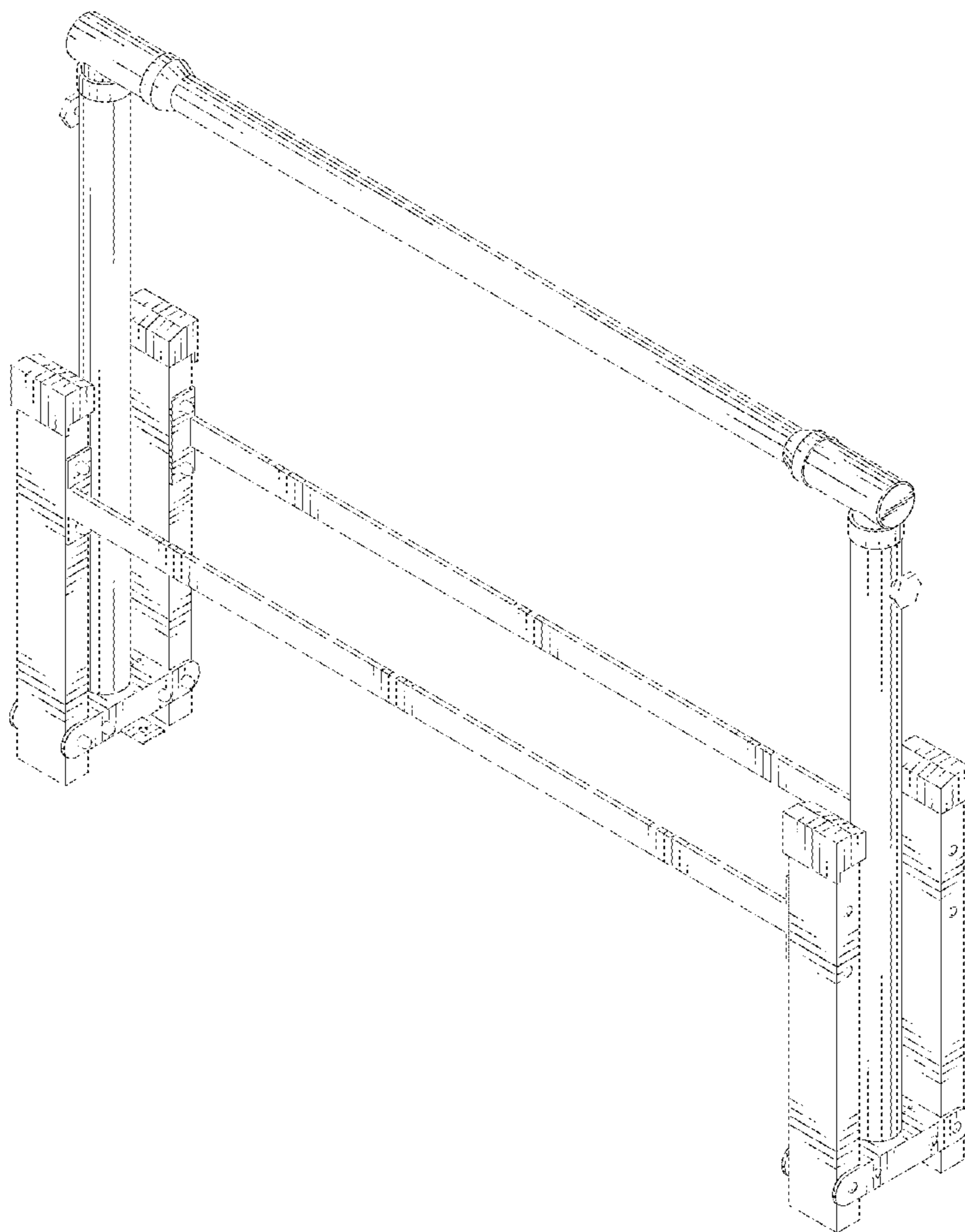


FIG. 9

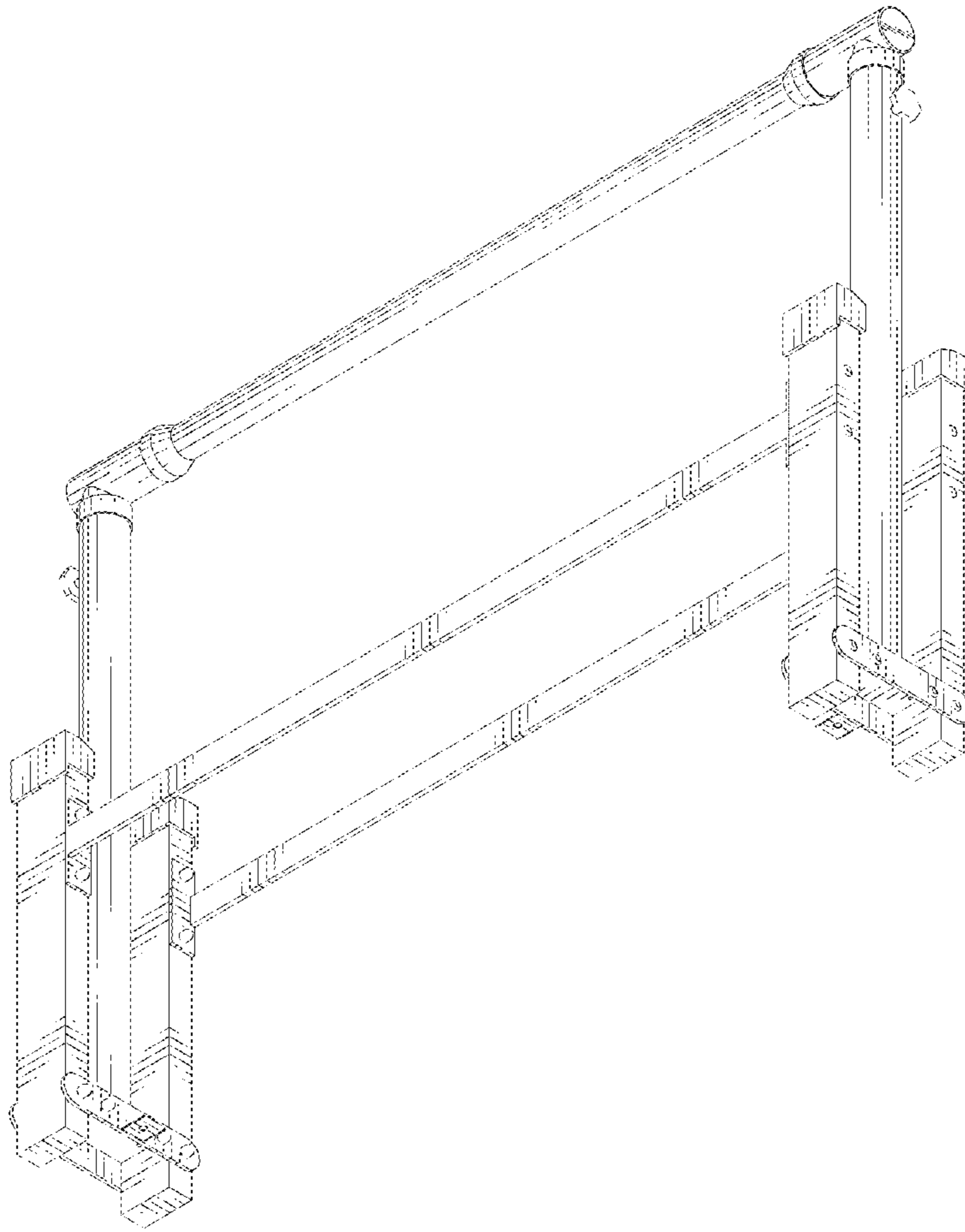


FIG. 10