



US00D961024S

(12) **United States Design Patent**  
**Sneathen**

(10) **Patent No.:** **US D961,024 S**

(45) **Date of Patent:** **\*\* Aug. 16, 2022**

(54) **PUSH UP EXERCISE DEVICE**

(71) Applicant: **Robert Wayne Sneathen**, Mullica Hill, NJ (US)

(72) Inventor: **Robert Wayne Sneathen**, Mullica Hill, NJ (US)

(\*\*) Term: **15 Years**

(21) Appl. No.: **29/728,789**

(22) Filed: **Mar. 20, 2020**

(51) **LOC (13) Cl.** ..... **21-02**

(52) **U.S. Cl.**  
USPC ..... **D21/686**

(58) **Field of Classification Search**

USPC ..... D21/690, 691, 694, 686, 662, 665, 676,  
D21/679, 687, 692, 682, 673, 798, 826,  
D21/681, 680, 688, 663, 674; D25/62,  
D25/66, 68, 119, 126, 136, 134, 133, 144,  
D25/156, 159, 148, 109

See application file for complete search history.

(56) **References Cited**

**U.S. PATENT DOCUMENTS**

911,925	A *	2/1909	Del Valle Y Zeno	.....	A63B 21/4047
					73/379.08
3,465,750	A *	9/1969	Schawalder	.....	A63B 21/04
					601/122
4,684,125	A *	8/1987	Lantz	.....	A63B 21/0083
					482/112
5,425,690	A *	6/1995	Chang	.....	A63B 23/14
					482/121
5,466,206	A *	11/1995	Fleming	.....	A63B 23/12
					482/141
6,471,623	B1 *	10/2002	Lin	.....	A63B 23/12
					482/141
7,377,888	B2	5/2008	Godbold		
8,343,021	B1	1/2013	Seraydarian et al.		
9,517,382	B2	12/2016	Payne		
9,526,942	B2	12/2016	Mills et al.		

10,967,217	B2 *	4/2021	Arroyo	.....	A63B 21/0626
2015/0321044	A1 *	11/2015	English	.....	A63B 21/072
					248/415
2018/0142832	A1 *	5/2018	Inouye	.....	A61H 15/00

(Continued)

**OTHER PUBLICATIONS**

Body power store, announced 2020[online], [site visited Sep. 16, 2021]. Available on internet, URL:https://www.amazon.com/Body-Power-Portable-Equipment-Parallel/dp/B08637VDWB/ref=asc\_df\_B08637VDWB/?tag=hyprod-20&linkCode=df0&hvadid=416953518611&hvpos=&hvnetw=g&hvrnd=16130370690412517937&hvpone=&hvptwo=&hvqmt=&hvdev=c&hvdvcmld=&hvlocint=&hvlocphy=9008150&hvtargid=pla-903071824003&psc=1&tag=&ref=&adgrpid=95577036842&hvpone=&hvptwo=&hvadid=416953518611&hvpos=&hvnetw=g&hvrnd=16130370690412517937&hvqmt=&hvdev=c&hvdvcmld=&hvlocint=&hvlocphy=9008150&hvtargid=pla-903071824003 (Year: 2020).\*

(Continued)

*Primary Examiner* — Khawaja Anwar  
*Assistant Examiner* — Julice Seung Eun Oum  
(74) *Attorney, Agent, or Firm* — Condo Roccia Koptiw LLP

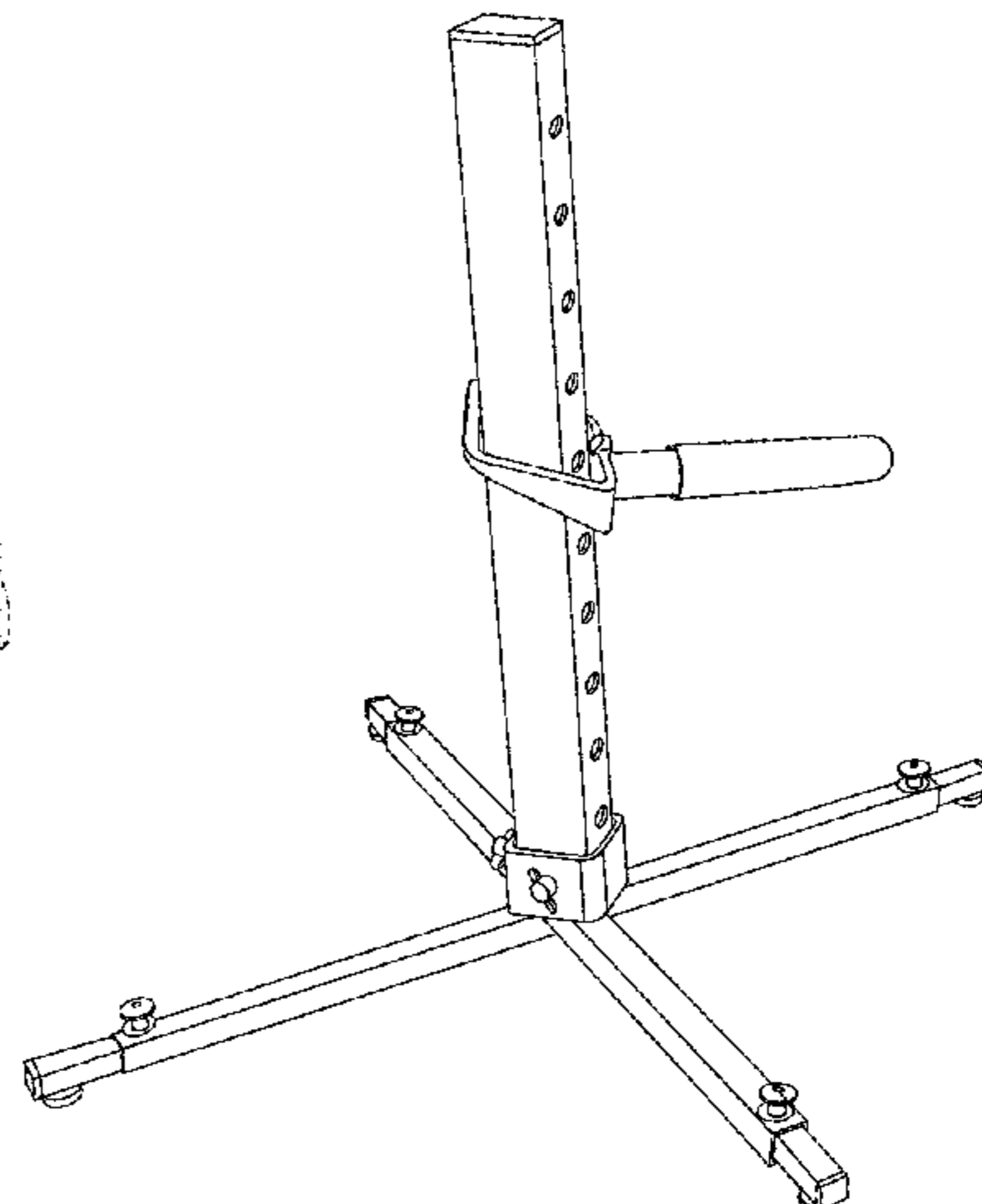
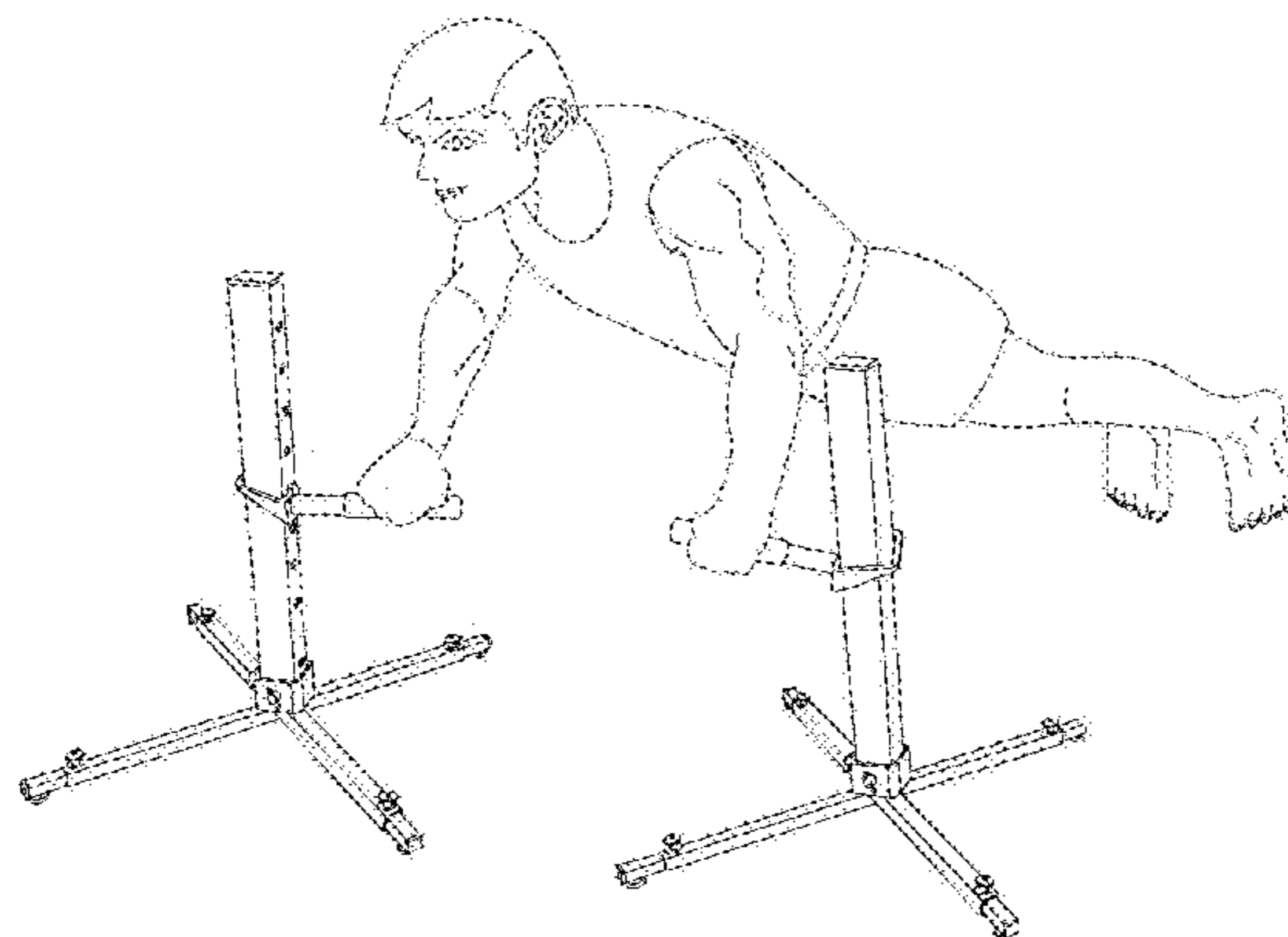
(57) **CLAIM**

The ornamental design for a push up exercise device, as shown and described.

**DESCRIPTION**

FIG. 1 depicts a pair of said push up exercise devices, shown in the environment of use by an athlete, in perspective view; FIG. 2 is a left side view of a push up exercise device; FIG. 3 is a bottom view thereof; FIG. 4 is a right side view thereof; FIG. 5 is a perspective view thereof; FIG. 6 is a rear front view thereof; FIG. 7 is a front view thereof; and, FIG. 8 is a top view thereof. The broken lines shown throughout the figure views form no part of the claimed design.

(Continued)



The athlete in FIG. 1 of the drawings is for illustrative purposes only and forms no part of the claimed design.

**1 Claim, 8 Drawing Sheets**

(56)

**References Cited**

U.S. PATENT DOCUMENTS

2019/0099636 A1\* 4/2019 Schmidt ..... A63B 21/0783  
2019/0201734 A1\* 7/2019 Sorin ..... A63B 21/159

OTHER PUBLICATIONS

Sunny Health & Fitness, Sunny Heath & Fitness Adjustable Push  
Up Bar, Amazon.com, Dec. 20, 2018, 5 pages.

\* cited by examiner

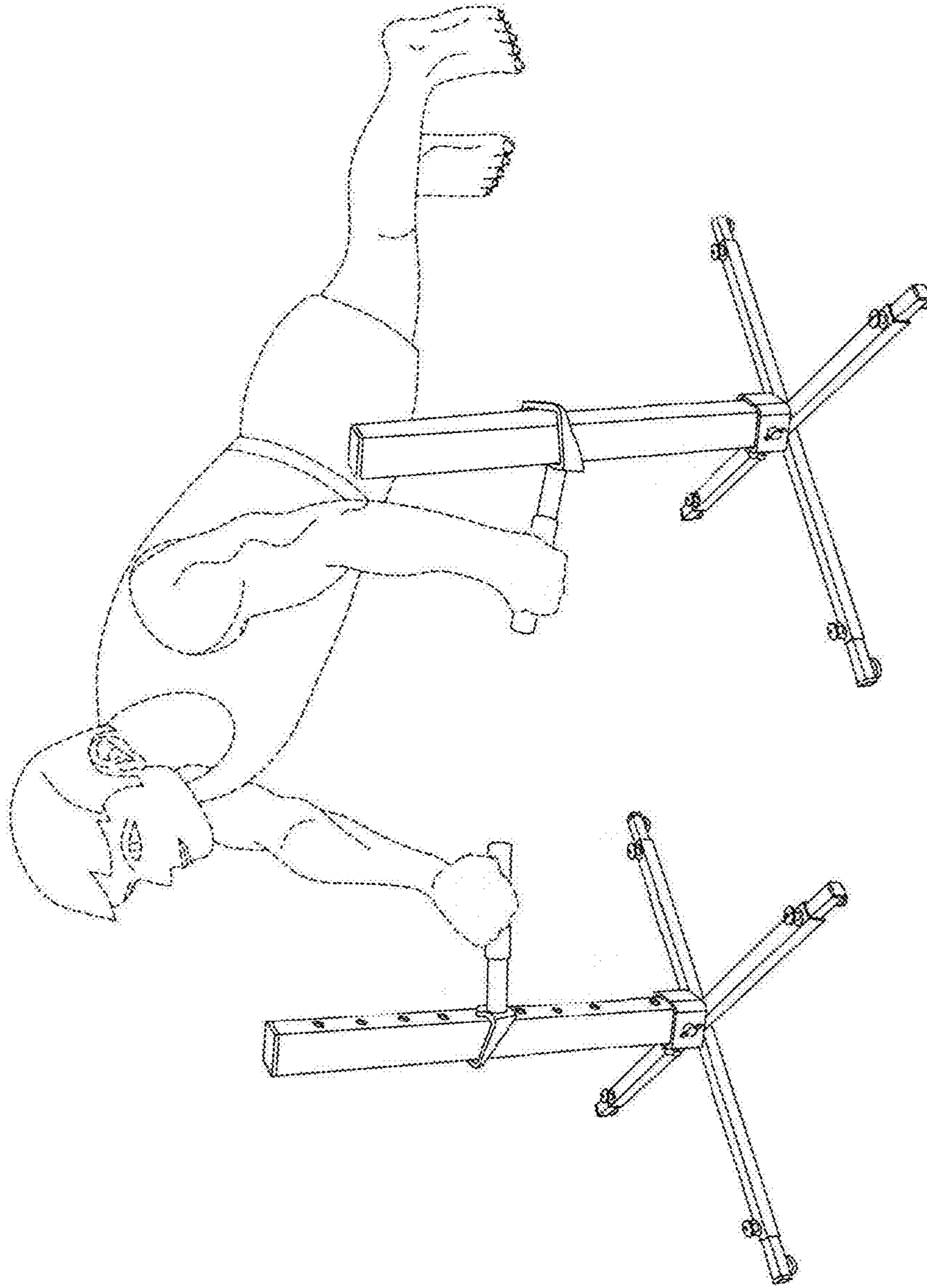


FIG. 1

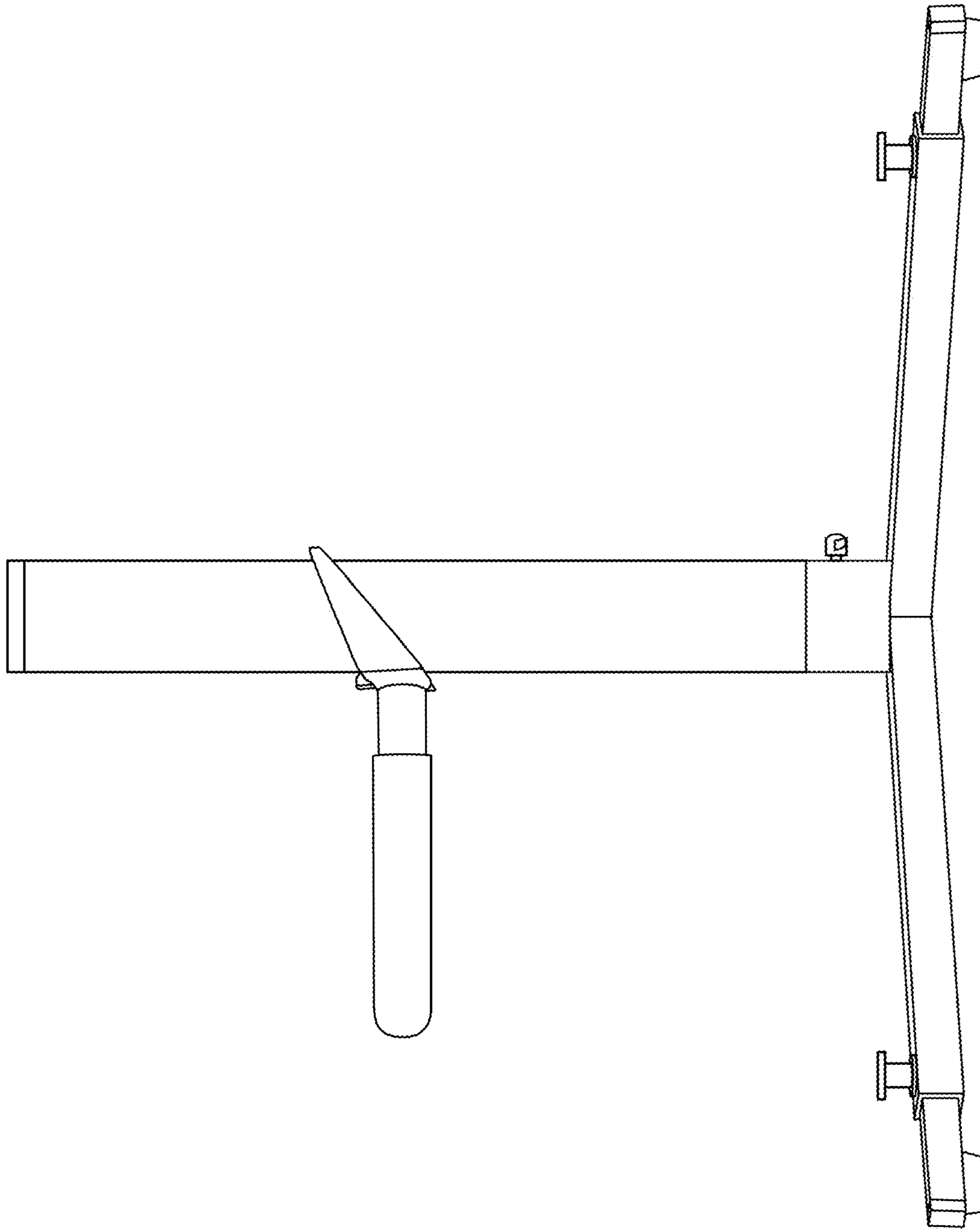


FIG. 2

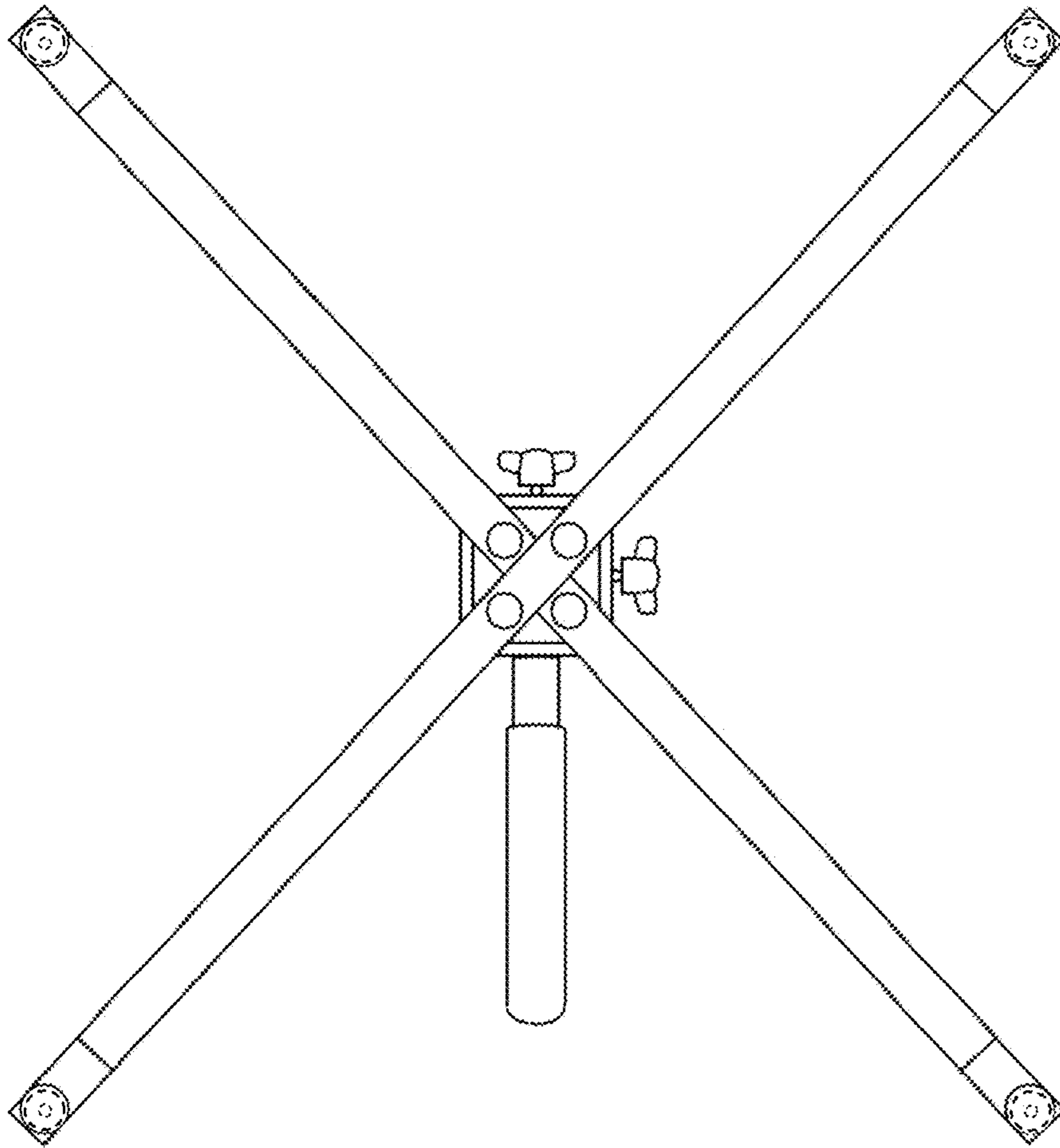


FIG. 3

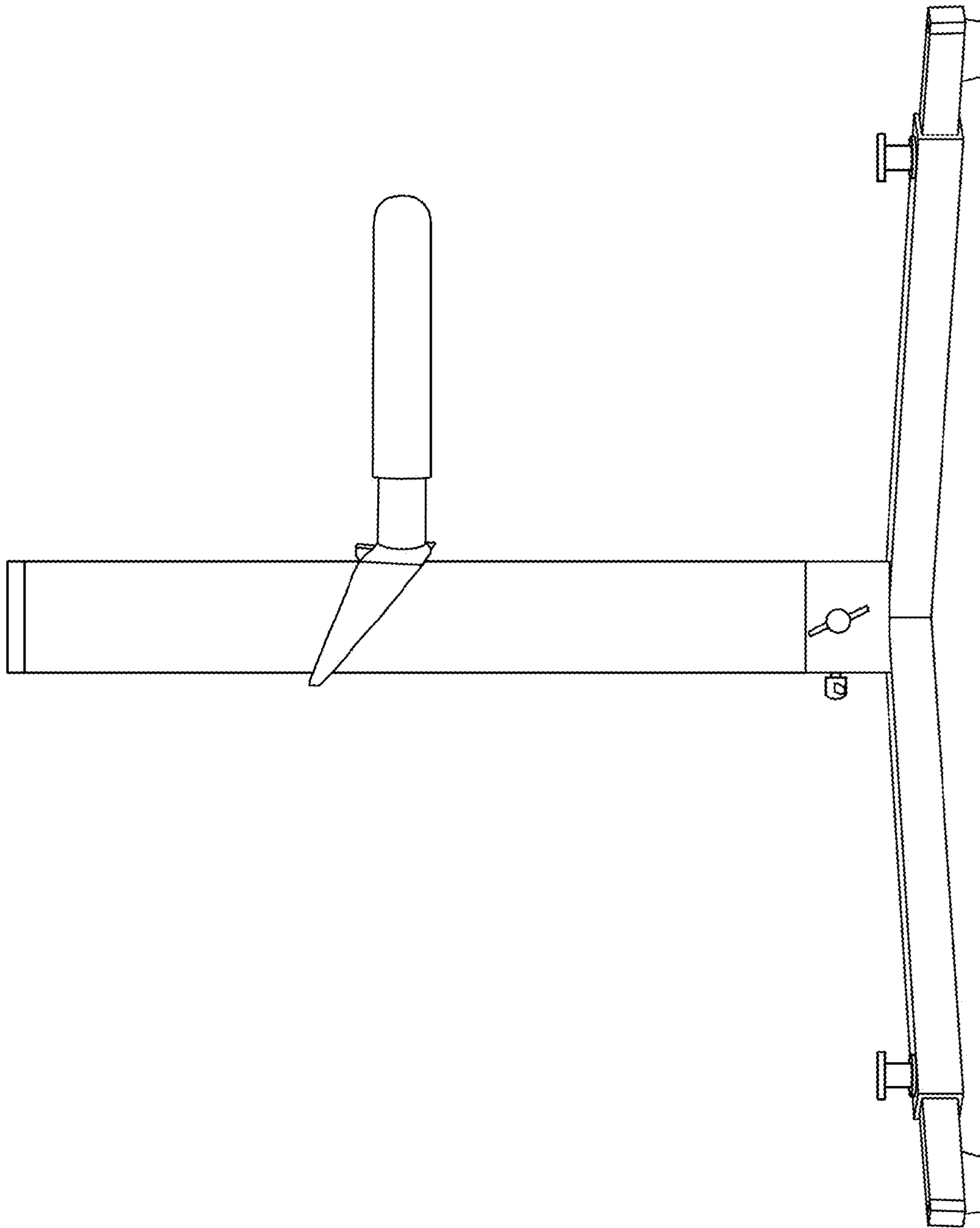


FIG. 4

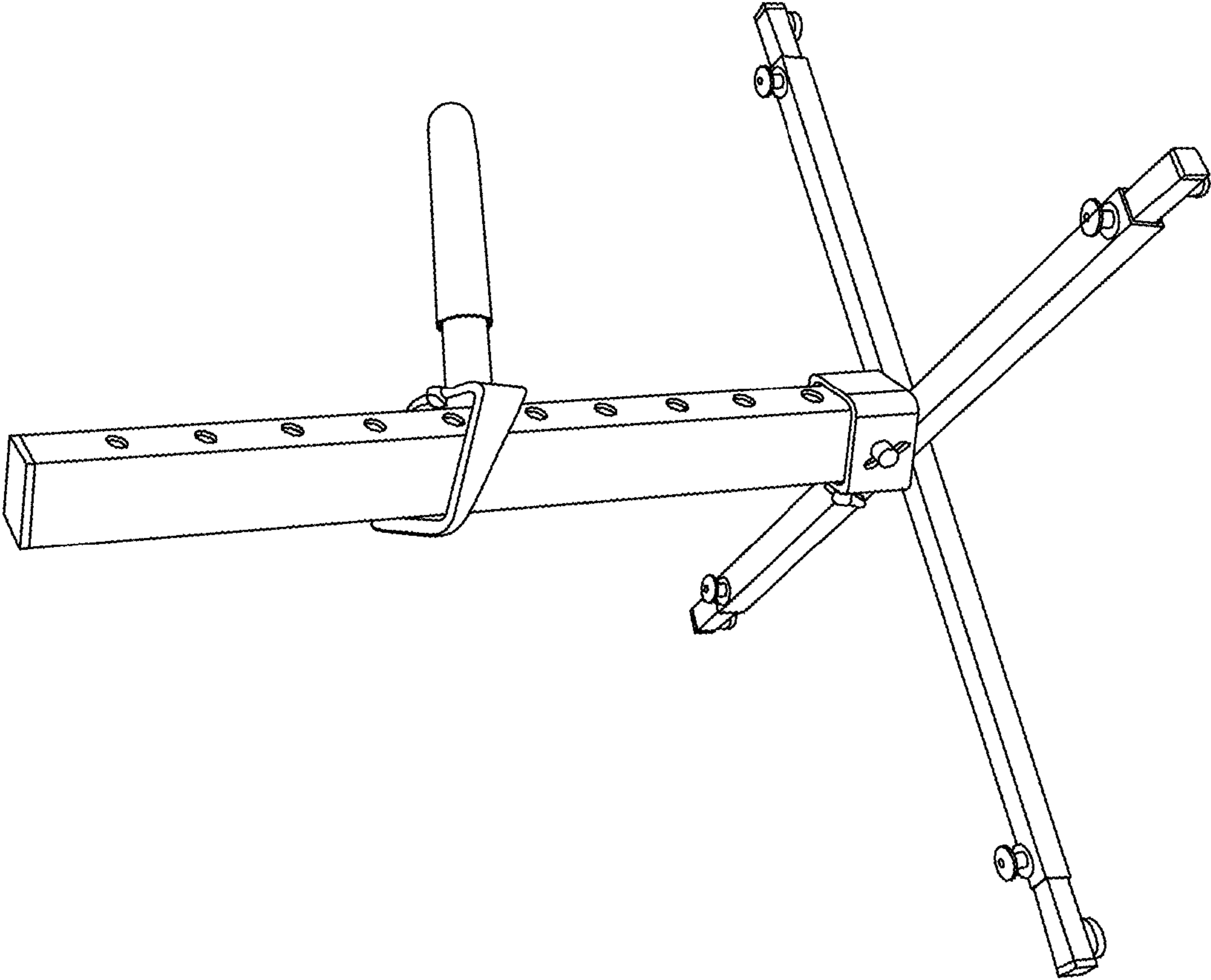


FIG. 5

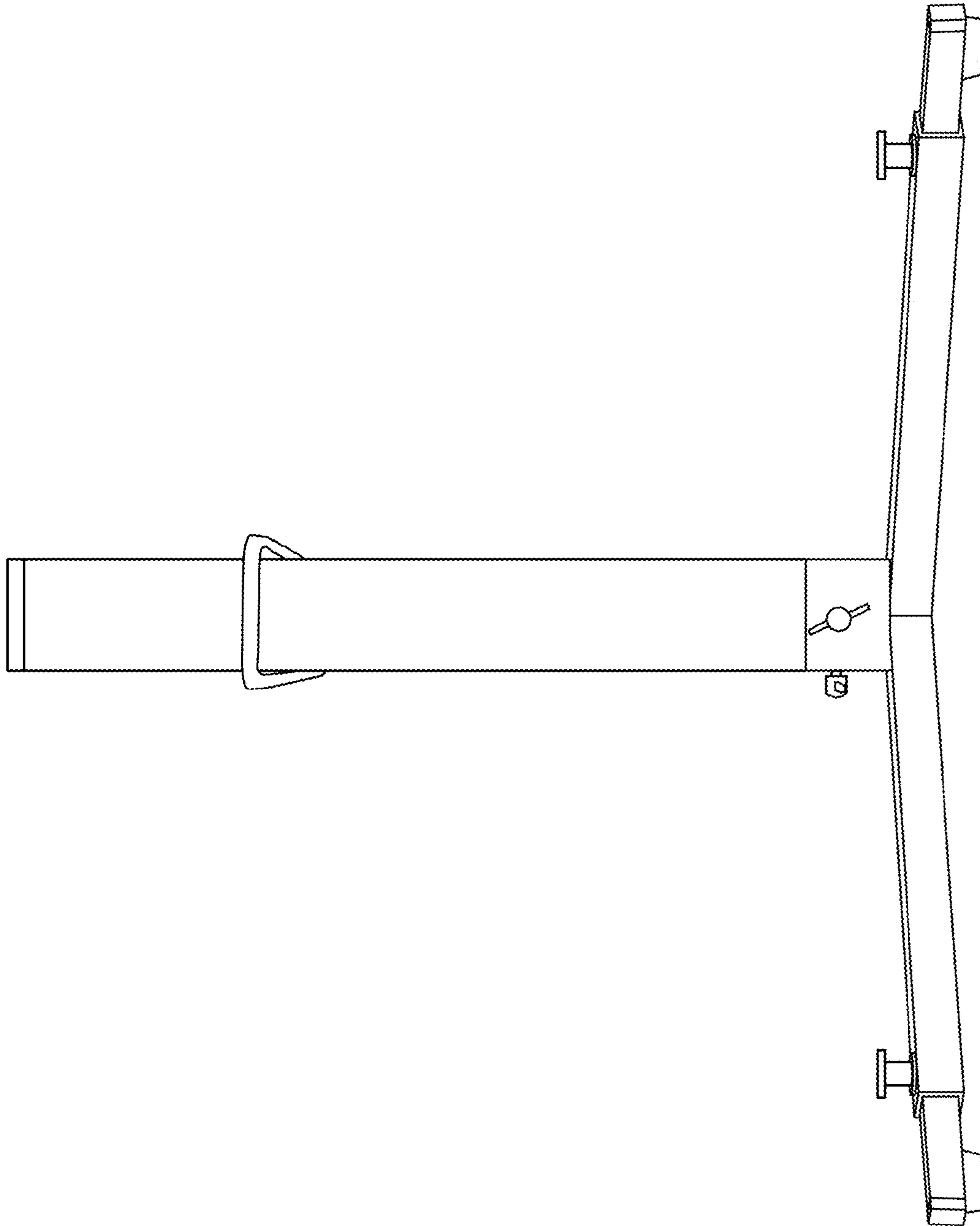


FIG. 6



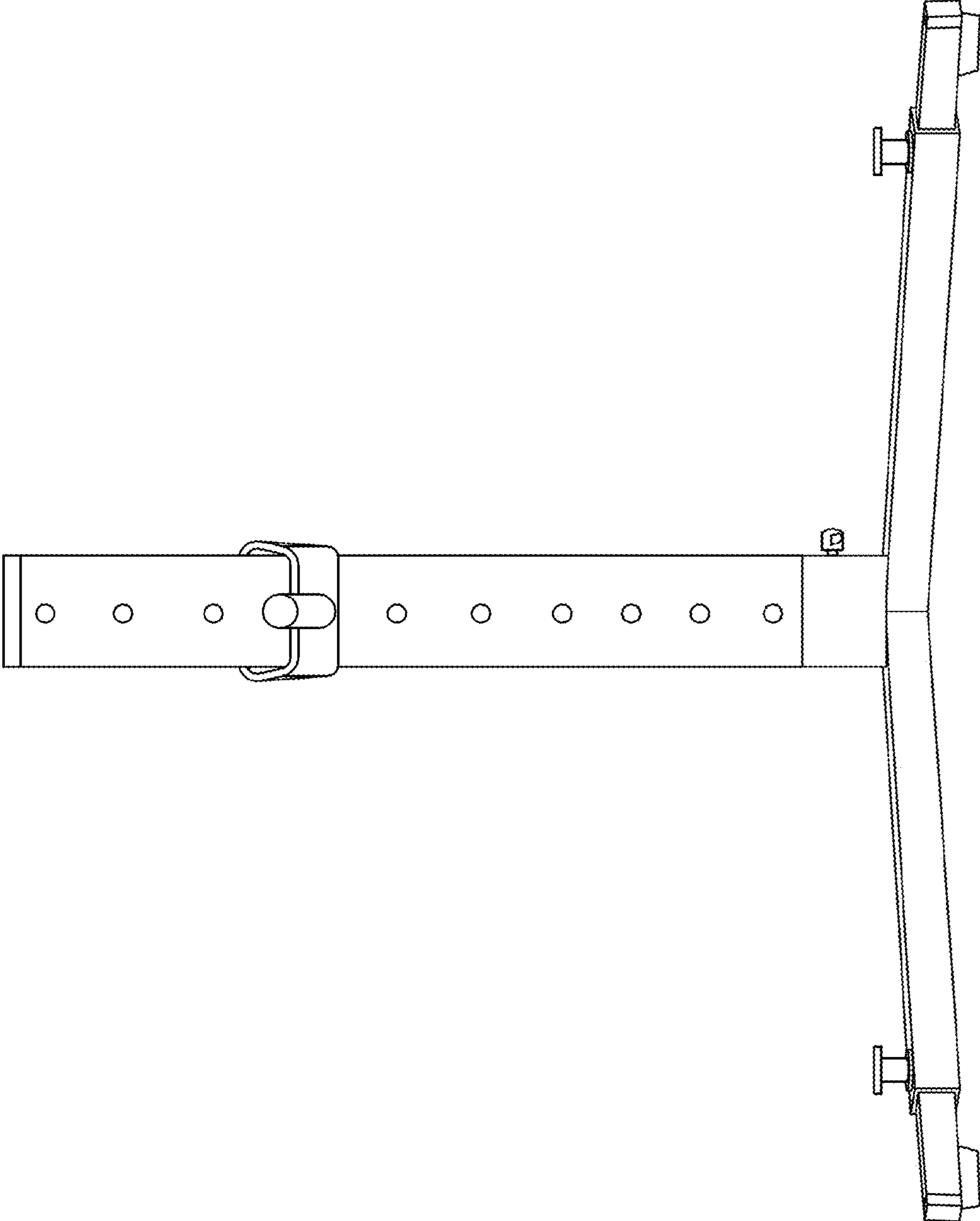


FIG. 7

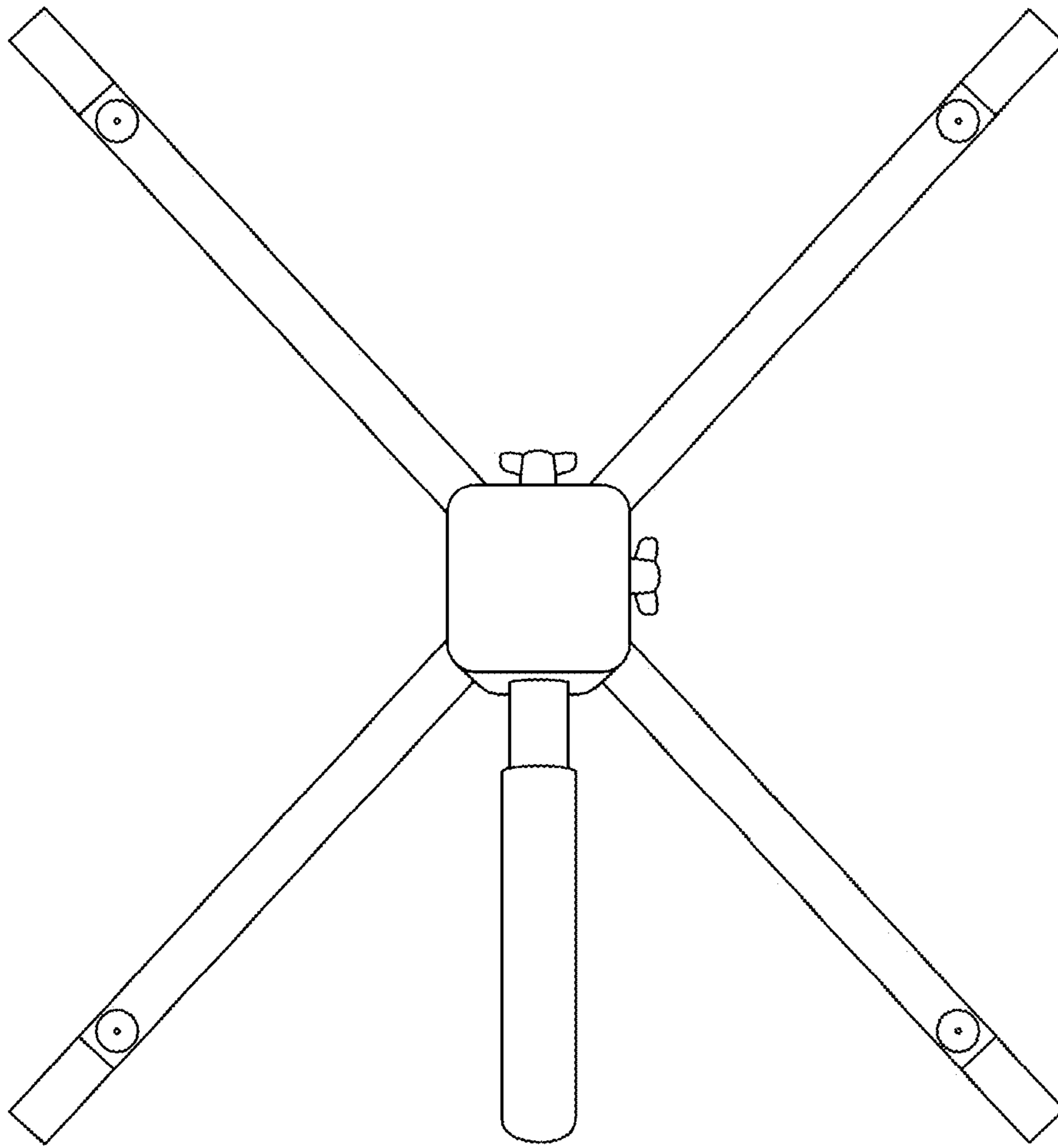


FIG. 8