

US00D961023S

(12) **United States Design Patent**  
**Tarkington et al.**

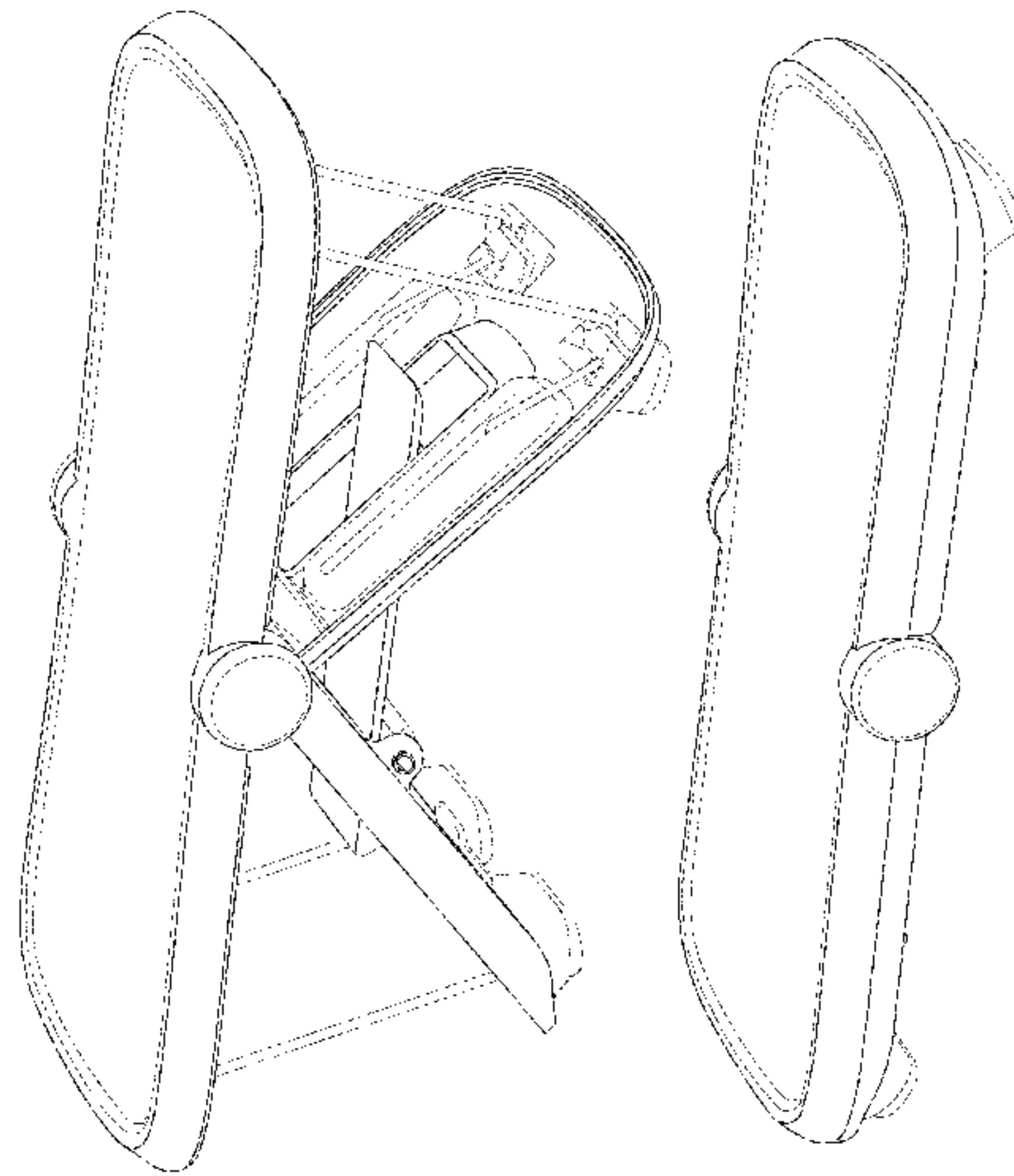
(10) **Patent No.:** **US D961,023 S**  
(45) **Date of Patent:** **\*\* Aug. 16, 2022**

- (54) **EXCERCISE DEVICE**
- (71) Applicant: **TS MEDICAL LLC**, McLean, VA (US)
- (72) Inventors: **Mary Anne Tarkington**, McLean, VA (US); **Scott Michael Cline**, New Albany, OH (US); **Donald C. Meves**, Columbus, OH (US); **Emily Kathryn Stokes**, Columbus, OH (US)
- (73) Assignee: **TS MEDICAL, LLC**, McLean, VA (US)
- (\*\*) Term: **15 Years**
- (21) Appl. No.: **29/724,141**
- (22) Filed: **Feb. 12, 2020**
- (51) **LOC (13) Cl.** ..... **21-02**
- (52) **U.S. Cl.**  
USPC ..... **D21/685**
- (58) **Field of Classification Search**  
USPC ..... D21/687, 690, 662, 665, 676, 695;  
D6/334, 342, 349, 352, 353, 354, 373,  
D6/377, 652.2, 653, 653.1, 657, 659, 668,  
D6/668.2, 671.1, 675, 684, 705.1, 368,  
D6/338  
See application file for complete search history.

4,337,939 A	7/1982	Hoyle et al.	
4,370,977 A	2/1983	Mauldin et al.	
4,422,635 A	12/1983	Herod et al.	
4,429,868 A	2/1984	LeBlanc et al.	
4,501,421 A	2/1985	Kane et al.	
4,574,785 A *	3/1986	Yamamoto .....	A61G 7/05746 137/624.11
4,605,220 A	8/1986	Troxel	
4,637,379 A	1/1987	Saringer	
4,669,722 A	6/1987	Rangaswamy	
4,694,684 A	9/1987	Campbell, III	
4,718,665 A	1/1988	Airy et al.	
4,733,859 A	3/1988	Kock et al.	
4,739,986 A	4/1988	Kucharik et al.	
D299,063 S *	12/1988	Young .....	D24/201
4,795,148 A	1/1989	Rangaswamy	
4,801,138 A	1/1989	Airy et al.	
4,816,920 A	3/1989	Paulsen	
4,822,039 A	4/1989	Gonzales et al.	
4,836,531 A	6/1989	Niks	
4,979,737 A	12/1990	Kock	
5,014,690 A	5/1991	Hepburn et al.	
5,038,758 A	8/1991	Iams et al.	
5,041,717 A	8/1991	Shay, III et al.	
5,048,783 A *	9/1991	Grimes .....	D06F 81/003 248/231.21
5,052,379 A	10/1991	Airy et al.	
5,074,000 A *	12/1991	Soltani .....	A61G 7/05746 5/611
5,108,092 A	4/1992	Hurst	
5,129,872 A	7/1992	Dalton et al.	
5,209,716 A	5/1993	Frydman et al.	
5,215,508 A	6/1993	Bastow	
5,230,681 A	7/1993	Hannum et al.	
5,263,911 A	11/1993	Frydman et al.	
5,306,222 A	4/1994	Wilkinson	
5,337,737 A	8/1994	Rubin et al.	
5,352,185 A	10/1994	Blauth et al.	
5,368,536 A	11/1994	Stodgell	
5,454,769 A	10/1995	Chen	
5,465,428 A	11/1995	Earl	
5,489,251 A	2/1996	Robles, Jr.	
5,520,627 A	5/1996	Malewicz	
5,570,472 A	11/1996	Dicker	
5,582,567 A	12/1996	Chang	
5,606,745 A	3/1997	Gray	
5,611,770 A	3/1997	Tesch	
5,645,516 A	7/1997	Foster	
5,722,919 A	3/1998	Timmer	
5,727,254 A	3/1998	Dicker	
5,733,249 A	3/1998	Katzin et al.	
5,743,837 A	4/1998	Dias et al.	

(56) **References Cited**  
U.S. PATENT DOCUMENTS

1,509,793 A	9/1924	Thompson et al.	
2,021,801 A	11/1935	Meyer	
2,268,747 A *	1/1942	Gaugler .....	A47K 3/002 4/581
3,259,385 A	7/1966	Boren	
3,286,709 A	11/1966	Hoyer et al.	
3,318,304 A	5/1967	Vladimir et al.	
3,421,760 A	1/1969	Freeman et al.	
3,525,522 A	8/1970	Piller	
3,741,540 A	6/1973	Shimizu	
4,111,416 A	9/1978	Jinotti	
4,199,137 A	4/1980	Giguere	
4,306,714 A	12/1981	Loomis et al.	





# US D961,023 S

5,755,651	A *	5/1998	Homyonfer .....	A63B 22/16 482/123	8,840,530	B2	9/2014	Baker et al.
5,788,618	A	8/1998	Joutras		8,986,177	B2	3/2015	von Hoffmann et al.
5,839,122	A	11/1998	Dicker et al.		D726,844	S *	4/2015	Mathew ..... D21/685
5,842,959	A	12/1998	Wilkinson		D734,411	S *	7/2015	Powers ..... D21/688
5,851,166	A *	12/1998	Bernardson .....	A63B 23/03533 482/79	9,072,645	B2 *	7/2015	Gamman ..... A61G 7/012
5,857,947	A	1/1999	Dicker et al.		9,095,177	B2	8/2015	Ota et al.
5,867,826	A	2/1999	Wilkinson		9,114,277	B2	8/2015	Goeckel
5,873,847	A	2/1999	Bennett et al.		9,192,806	B2	11/2015	Mial
5,879,276	A	3/1999	Miller		9,230,057	B2	1/2016	Stark et al.
5,897,464	A *	4/1999	McLeod .....	A63B 23/08 482/79	9,247,784	B2	2/2016	Stewart
6,010,468	A	1/2000	Grove et al.		9,295,303	B2	3/2016	Baker et al.
6,024,714	A	2/2000	Katzin		9,302,137	B1	4/2016	Yelvington
6,047,406	A	4/2000	Dicker et al.		9,327,156	B2	5/2016	von Hoffmann et al.
6,063,013	A	5/2000	Vathappallil		9,377,079	B2	6/2016	DeHarde
6,206,807	B1	3/2001	Cowans et al.		9,433,814	B2	9/2016	von Hoffmann et al.
6,217,488	B1	4/2001	Bernardson		9,474,673	B2	10/2016	Horst et al.
6,244,992	B1	6/2001	James		D776,211	S	1/2017	Gebhard et al.
6,254,034	B1	7/2001	Carpenter		9,539,135	B2	1/2017	Romo et al.
6,261,253	B1	7/2001	Katzin		9,566,469	B1	2/2017	Rector
6,277,057	B1	8/2001	Hayden		9,592,416	B2	3/2017	Thorpe
6,283,897	B1	9/2001	Patton		9,603,768	B1	3/2017	Widmer et al.
6,390,957	B1	5/2002	Knight		9,656,117	B2	5/2017	von Hoffmann et al.
6,436,058	B1	8/2002	Krahner et al.		9,737,753	B2	8/2017	Chuang
6,569,213	B1	5/2003	Busch		9,770,617	B2	9/2017	von Hoffmann et al.
6,572,514	B1	6/2003	Calafato		9,814,273	B2	11/2017	Nordstrom et al.
6,589,141	B1	7/2003	Flaggs		9,849,328	B1	12/2017	Fulks
6,656,097	B2	12/2003	Karecki		9,872,789	B2	1/2018	Sorrenti et al.
6,705,975	B2	3/2004	Kuo		9,873,017	B2	1/2018	Barel
6,780,142	B1	8/2004	Takizawa et al.		9,895,569	B2	2/2018	Yao
6,796,928	B1	9/2004	Christopher et al.		9,914,009	B2	3/2018	Tarkington et al.
6,808,476	B2	10/2004	Zagone		9,930,928	B2	4/2018	Whiteman et al.
6,821,235	B1	11/2004	Johnson et al.		9,931,540	B1	4/2018	Lazar et al.
6,837,831	B2	1/2005	Lee		10,004,937	B2	6/2018	Matsuura et al.
7,008,357	B2	3/2006	Winkler		10,076,460	B2	9/2018	Harry et al.
7,074,204	B2	7/2006	Fujii et al.		10,118,063	B2	11/2018	DeYoung
7,160,231	B2	1/2007	Kazemi		10,124,205	B2	11/2018	Matsuura et al.
D538,814	S *	3/2007	Cranford .....	D14/459	D836,206	S *	12/2018	Pettinato ..... D24/185
D553,379	S *	10/2007	Genelli .....	D6/367	10,143,878	B2	12/2018	Gottfried
7,294,114	B1	11/2007	Clement et al.		10,179,078	B2	1/2019	Bhugra et al.
7,316,637	B2	1/2008	German et al.		10,434,357	B2	10/2019	McCarthy
7,322,904	B2	1/2008	Takizawa et al.		10,653,913	B2	5/2020	Yao et al.
7,364,534	B2	4/2008	Zoller et al.		10,702,740	B2	7/2020	Tarkington et al.
7,398,571	B2 *	7/2008	Souke .....	A61G 1/0212 296/20	10,946,247	B1	3/2021	Burton
7,452,340	B2	11/2008	Cook et al.		2002/0165069	A1	11/2002	Ravikumar et al.
7,481,739	B2	1/2009	Takizawa et al.		2002/0193210	A1	12/2002	Turner
7,481,751	B1	1/2009	Arnold		2003/0060339	A1	3/2003	Ravikumar et al.
7,485,074	B2	2/2009	Chen		2004/0087419	A1	5/2004	Ware et al.
7,500,324	B1	3/2009	Power et al.		2005/0251067	A1	11/2005	Terry
7,537,555	B2	5/2009	Soletski		2005/0261113	A1	11/2005	Wilkinson
7,641,591	B2	1/2010	Takizawa et al.		2006/0103219	A1	5/2006	Sardana
D613,409	S *	4/2010	Genelli .....	D24/183	2006/0122040	A1	6/2006	Nguyen et al.
7,771,327	B1	8/2010	Reams		2006/0276736	A1	12/2006	Devreese
7,775,941	B2	8/2010	Nguyen et al.		2007/0135279	A1	6/2007	Purdy et al.
7,883,451	B2	2/2011	Hand		2008/0083055	A1	4/2008	Onda
7,892,154	B1	2/2011	Alexa		2009/0192024	A1	7/2009	Wu
7,918,813	B2	4/2011	Drake et al.		2010/0145233	A1	6/2010	Zhang et al.
8,015,638	B2 *	9/2011	Shimada .....	A47C 19/045 5/611	2010/0222180	A1	9/2010	Takizawa
8,029,420	B1	10/2011	Thati		2010/0323859	A1	12/2010	von Hoffmann et al.
8,092,350	B2	1/2012	Chinag		2011/0046524	A1	2/2011	Mihara et al.
8,123,663	B2	2/2012	Fey et al.		2011/0077560	A1	3/2011	Jacofsky et al.
8,231,508	B1	7/2012	Rousseau		2011/0111927	A1	5/2011	Kim
8,246,522	B2	8/2012	Piaget et al.		2011/0112447	A1	5/2011	Hsiao-Wecksler et al.
8,267,839	B1	9/2012	Bartolotta		2011/0172578	A1	7/2011	Chiu et al.
8,312,566	B2	11/2012	Weir et al.		2011/0314590	A1	12/2011	Perron et al.
8,353,854	B2	1/2013	Horst et al.		2013/0041302	A1	2/2013	Williams
8,360,940	B2	1/2013	Kole et al.		2013/0079686	A1	3/2013	Sessions
8,366,591	B2	2/2013	Patoglu		2013/0184617	A1	7/2013	Inaba
8,403,817	B2	3/2013	Ferguson et al.		2013/0237386	A1	9/2013	Tsai
8,430,796	B1	4/2013	Tarkington et al.		2014/0179497	A1	6/2014	von Hoffmann et al.
8,460,163	B2	6/2013	Gibbons		2014/0196190	A1	7/2014	Brown
8,480,546	B2	7/2013	Spencer		2014/0302971	A1	10/2014	Gray
8,678,979	B2	3/2014	Stark et al.		2014/0325732	A1	11/2014	Anderson
D712,044	S	8/2014	Mathew et al.		2014/0336009	A1	11/2014	Piaget et al.
8,827,873	B2	9/2014	Arnstein		2015/0165260	A1	6/2015	Tarkington et al.
					2015/0223526	A1	8/2015	Nolan
					2015/0314157	A1	11/2015	Lampert et al.
					2016/0095367	A1	4/2016	Curran
					2016/0183606	A1	6/2016	Shriver
					2016/0279012	A1	9/2016	Hurtado



2016/0361222	A1	12/2016	Publicover et al.
2017/0072250	A1	3/2017	Heiskanen
2017/0246501	A1	8/2017	Palmer
2017/0246502	A1	8/2017	Palmer
2017/0246503	A1	8/2017	Palmer
2017/0252601	A1	9/2017	McKenzie
2017/0274249	A1	9/2017	Moebius et al.
2017/0361151	A1	12/2017	Mottern
2018/0093121	A1	4/2018	Matsuura et al.
2018/0093122	A1	4/2018	Stevenson et al.
2018/0098707	A1	4/2018	Salamon et al.
2018/0104536	A1	4/2018	Stewart
2018/0111016	A1	4/2018	Brockway, Jr. et al.
2018/0207477	A1	7/2018	Barel
2019/0001176	A1	1/2019	Gustafson
2019/0029336	A1	1/2019	Collins et al.
2019/0160322	A1	5/2019	McCarthy
2020/0086170	A1*	3/2020	Tarkington ..... A63B 21/0557
2020/0086172	A1	3/2020	Tarkington et al.
2020/0406093	A1	12/2020	Tarkington et al.
2021/0038943	A1	2/2021	Tarkington et al.

International Search Report in PCT Appln No. PCT/US2019/015031, dated Aug. 30, 2019.  
 International Search Report in PCT Appln No. PCT/US2019/015030, dated Jul. 1, 2019.  
 Notice of Allowance in U.S. Appl. No. 16/570,742, dated Mar. 3, 2020.  
 Office Action for U.S. Appl. No. 16/570,817, dated May 13, 2021.  
 Design U.S. Appl. No. 29/746,283, filed Aug. 22, 2020, 62 Pages.  
 U.S. Appl. No. 16/975,577, filed Aug. 25, 2020, 83 Pages.  
 U.S. Appl. No. 16/918,671, filed Jul. 1, 2020, 111 Pages.  
 U.S. Appl. No. 17/045,257, filed Oct. 5, 2020, 93 pages.  
 Notice of Allowance dated Aug. 19, 2021 in connection with U.S. Appl. No. 16/570,817, 12 pp.  
 Office Action dated Oct. 13, 2021 in related U.S. Appl. No. 16/918,671, 11 pages.  
 U.S. Pat. No. 735,319 to A.W. Urwick, dated Aug. 4, 1903.  
 Office Action dated Dec. 21, 2021 in related U.S. Appl. No. 17/045,257, 16 pages.  
 U.S. Appl. No. 17/562,682, filed Dec. 27, 2021.  
 Examination report dated Dec. 7, 2021 for CA app No. 197544.

FOREIGN PATENT DOCUMENTS

DE	548527	C	10/1932
DE	20221403	U1	11/2005
EP	2854958		4/2015
EP	2854958	A1	4/2015
FR	3024838	A3	2/2016
GB	2372458	A	8/2002
GB	2404877		2/2005
GB	2404877	A	2/2005
GB	2460039	A	11/2009
JP	2009254700		11/2009
JP	2009254700	A	11/2009
WO	2009128565		10/2009
WO	2009128565	A1	10/2009
WO	2013035905	A1	3/2013
WO	2013101920		7/2013
WO	2013181063		12/2013
WO	2013181063	A1	12/2013
WO	2015196190		12/2015
WO	2019164633	A2	8/2019
WO	2019194885	A1	10/2019

OTHER PUBLICATIONS

FF Finer form store, announced 2018 [online], [site visited Oct. 4, 2021]. Available on internet, URL:[https://www.amazon.com/Finer-Form-Multi-Functional-Bench-Workout/dp/B07GYXF65S/ref=sr\\_1\\_196\\_sspa?dchild=1&keywords=adjustable+ankle+and+foot+board&qid=1633368733&sr=8-196-spons&psc=1&spLa=ZW5jcnlwdGVkUXVhbGlmaWVyPUEwSUFFQkdOTTRPTUNDJmVuY3J5cHRlZElkPUEwMzQ3MjMzN0hITzdYNIewSjlUJmVuY3J5cHRlZEFkSWQ9QTA0NTQzNzczSUUpNNEtGN1Y5M1BVJndpZGdldE5hbWU9c3BfYXRmX25leHQmYWN0aW9uPWNsaWNrUmVkaXJlY3QmZG9Ob3Rmb2dDbGljaz10cnVI](https://www.amazon.com/Finer-Form-Multi-Functional-Bench-Workout/dp/B07GYXF65S/ref=sr_1_196_sspa?dchild=1&keywords=adjustable+ankle+and+foot+board&qid=1633368733&sr=8-196-spons&psc=1&spLa=ZW5jcnlwdGVkUXVhbGlmaWVyPUEwSUFFQkdOTTRPTUNDJmVuY3J5cHRlZElkPUEwMzQ3MjMzN0hITzdYNIewSjlUJmVuY3J5cHRlZEFkSWQ9QTA0NTQzNzczSUUpNNEtGN1Y5M1BVJndpZGdldE5hbWU9c3BfYXRmX25leHQmYWN0aW9uPWNsaWNrUmVkaXJlY3QmZG9Ob3Rmb2dDbGljaz10cnVI) (Year: 2018).\*

Barwing, announced 2020[online], [site visited Oct. 4, 2021]. Available on internet, URL:[https://www.amazon.com/dp/B07WDHNKKB/ref=sspa\\_dk\\_detail\\_1?psc=1&pd\\_rd\\_i=B07WDHNKKB&pd\\_rd\\_w=ovaff&pf\\_rd\\_p=9fd3ea7c-b77c-42ac-b43b-c872d3f37c38&pd\\_rd\\_wg=K4R8E&pf\\_rd\\_r=QGNJ4V8P6PRKQYFAPHRE&pd\\_rd\\_r=c9b8a389-782a-4971-b2cd-3cf17722f1e5&spLa=ZW5jcnlwdGVkUXVhbGlmaWVyPUEwSUFFQkdOTTRPTUNDJmVuY3J5cHRlZElkPUEwNTU0NTk2Mzc0M1BYODVZUIIVTyZlbnNyeXB0ZWRBZEIkPUEwMzE4MDAzUkYUkJOThRWf01JndpZGdldE5hbWU9c3BfZGV0YWIsJmFjdGlvbj1jbGlja1JlZGlyZWNoJmRvTm90TG9nQ2xpY2s9dHJlZQ==](https://www.amazon.com/dp/B07WDHNKKB/ref=sspa_dk_detail_1?psc=1&pd_rd_i=B07WDHNKKB&pd_rd_w=ovaff&pf_rd_p=9fd3ea7c-b77c-42ac-b43b-c872d3f37c38&pd_rd_wg=K4R8E&pf_rd_r=QGNJ4V8P6PRKQYFAPHRE&pd_rd_r=c9b8a389-782a-4971-b2cd-3cf17722f1e5&spLa=ZW5jcnlwdGVkUXVhbGlmaWVyPUEwSUFFQkdOTTRPTUNDJmVuY3J5cHRlZElkPUEwNTU0NTk2Mzc0M1BYODVZUIIVTyZlbnNyeXB0ZWRBZEIkPUEwMzE4MDAzUkYUkJOThRWf01JndpZGdldE5hbWU9c3BfZGV0YWIsJmFjdGlvbj1jbGlja1JlZGlyZWNoJmRvTm90TG9nQ2xpY2s9dHJlZQ==) (Year: 2020).\*

Office Action in U.S. Appl. No. 13/482,844, dated Aug. 31, 2012.  
 International Search Report and Written Opinion in PCT Appln No. PCT/US2013/042441, dated Sep. 6, 2013.  
 Office Action in CA Appln No. 2,874,237, dated Dec. 10, 2015.  
 Communication in EP Appln No. 13727007.0, dated Mar. 20, 2017.

\* cited by examiner

*Primary Examiner* — Khawaja Anwar  
*Assistant Examiner* — Julice Seung Eun Oum  
 (74) *Attorney, Agent, or Firm* — Jones Robb, PLLC

(57) CLAIM

The ornamental design for an exercise device, as shown and described.

DESCRIPTION

FIG. 1 is a perspective right side, top view of a first embodiment of an exercise device in an open configuration showing our new design.  
 FIG. 2 is perspective left side, bottom view thereof.  
 FIG. 3 is a top view thereof.  
 FIG. 4 is a front view thereof.  
 FIG. 5 is a back view thereof.  
 FIG. 6 is a right side view thereof.  
 FIG. 7 is a left side view thereof.  
 FIG. 8 is a bottom view thereof.  
 FIG. 9 is a perspective right side, top view of the embodiment of FIGS. 1-8 in a closed configuration.  
 FIG. 10 is a perspective left side, bottom view thereof.  
 FIG. 11 is a top view thereof.  
 FIG. 12 is a front view thereof.  
 FIG. 13 is a back view thereof.  
 FIG. 14 is a right side view thereof.  
 FIG. 15 is a left side view thereof.  
 FIG. 16 is a bottom view thereof.  
 FIG. 17 is a perspective right side, top view of a second embodiment of an exercise device in an open configuration showing our new design.  
 FIG. 18 is perspective left side, bottom view thereof.  
 FIG. 19 is a top view thereof.  
 FIG. 20 is a front view thereof.  
 FIG. 21 is a back view thereof.  
 FIG. 22 is a right side view thereof.  
 FIG. 23 is a left side view thereof.  
 FIG. 24 is a bottom view thereof.  
 FIG. 25 is a perspective right side, top view of a third embodiment of an exercise device in an open configuration showing our new design.  
 FIG. 26 is perspective left side, bottom view thereof.  
 FIG. 27 is a top view thereof.

FIG. **28** is a front view thereof.

FIG. **29** is a back view thereof.

FIG. **30** is a right side view thereof.

FIG. **31** is a left side view thereof; and,

FIG. **32** is a bottom view thereof.

The broken lines in the figures are provided for the purposes of illustrating environmental structure and form no part of the claimed design.

**1 Claim, 32 Drawing Sheets**

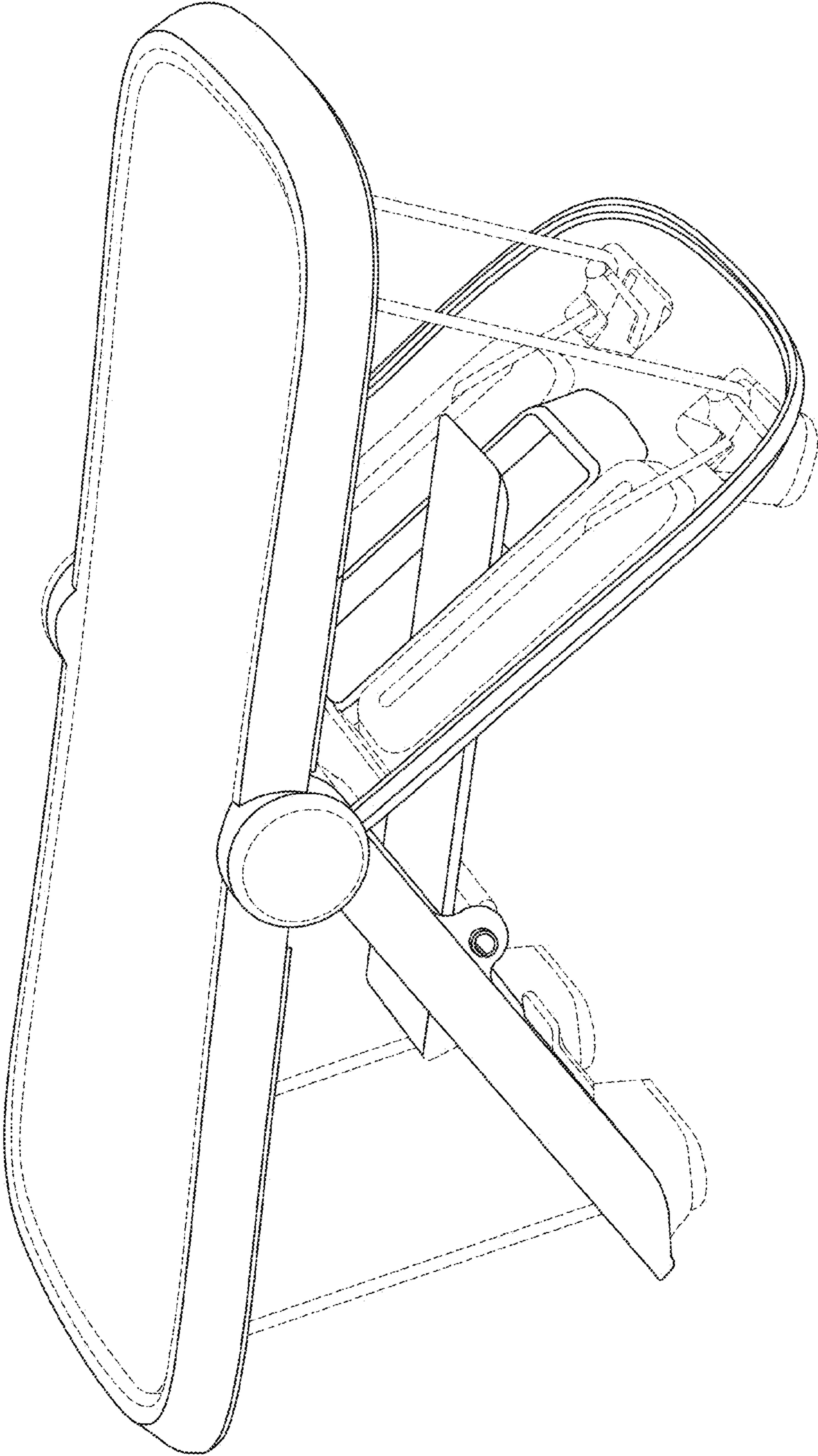


FIG. 1



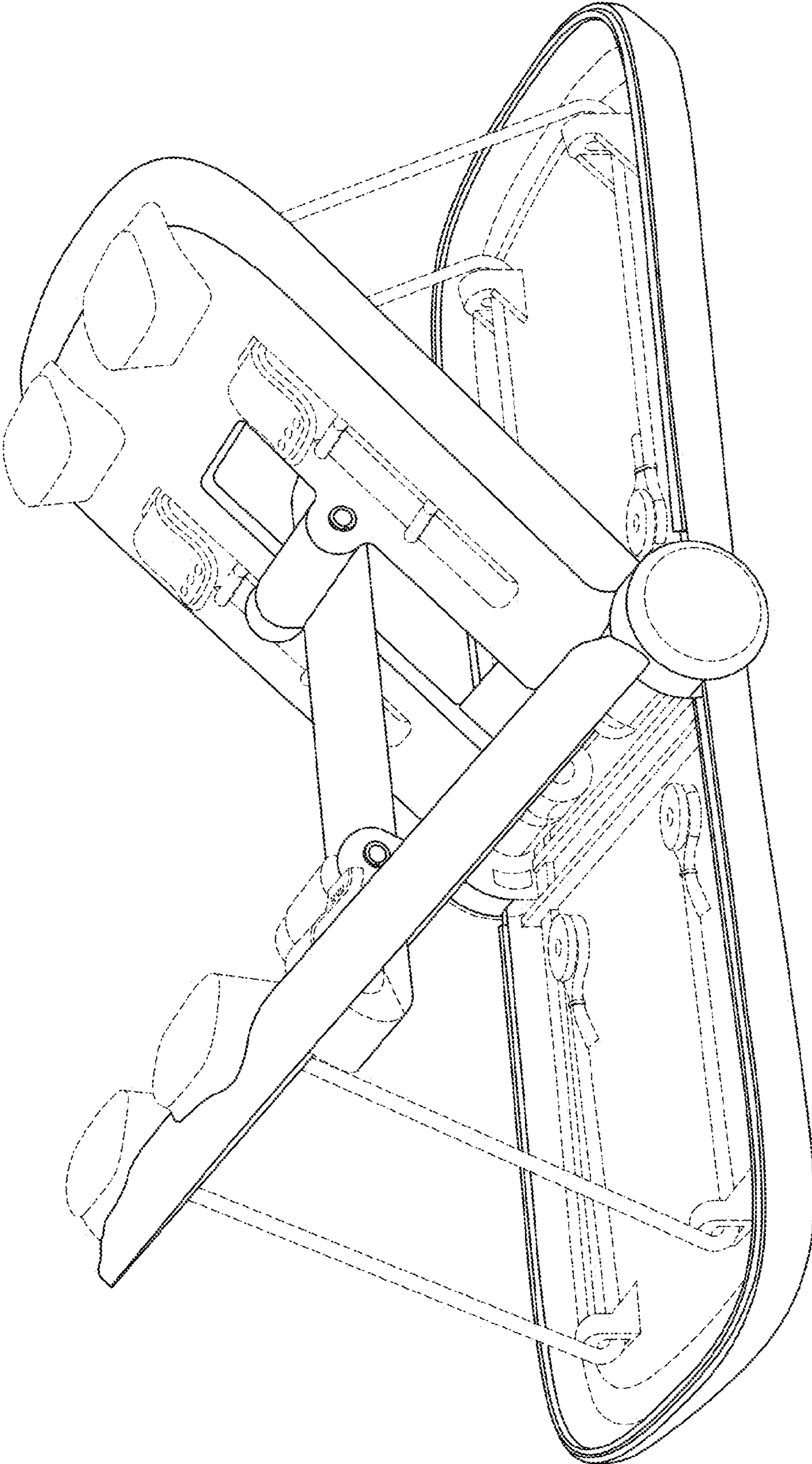


FIG. 2

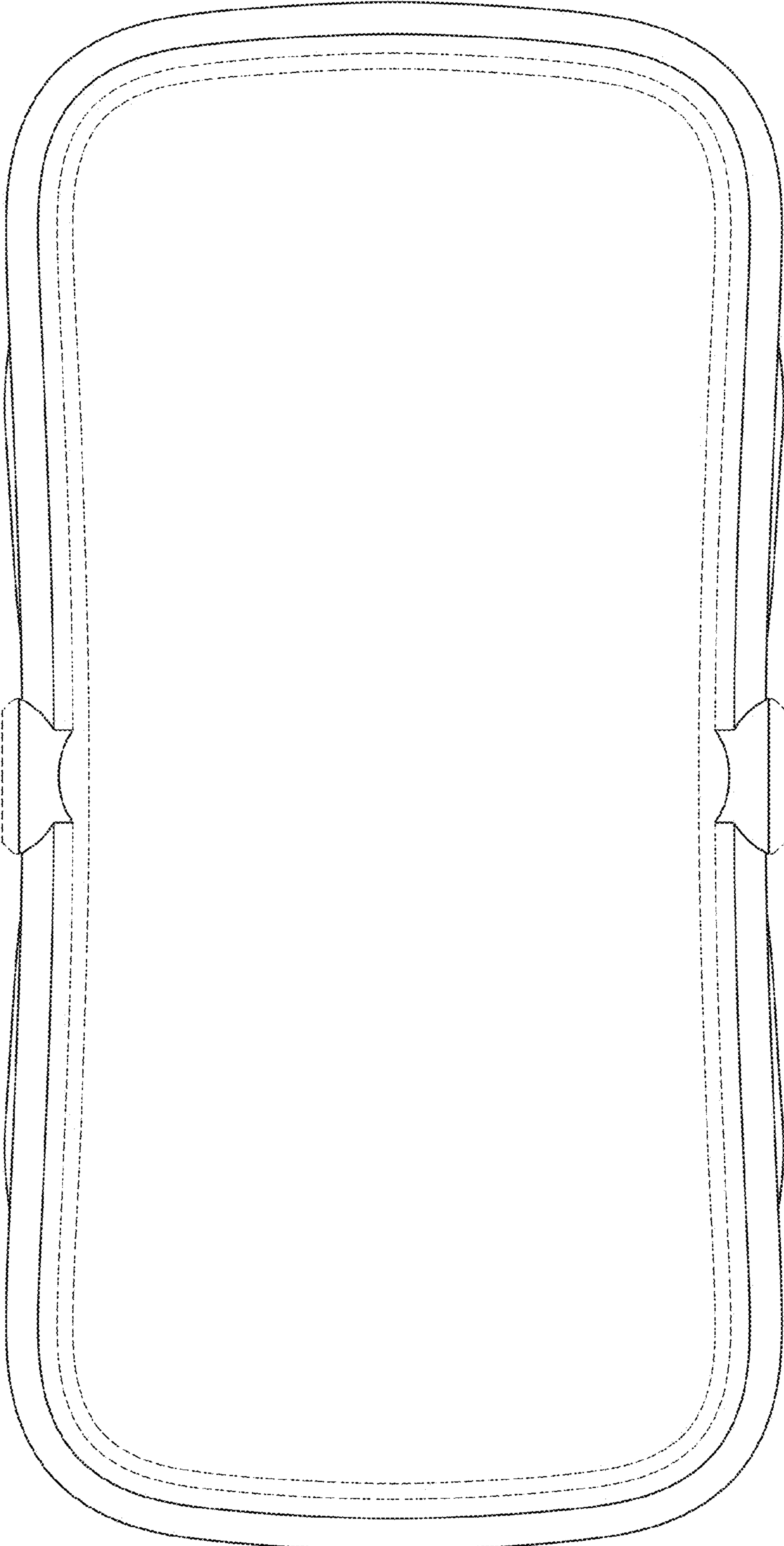


FIG. 3

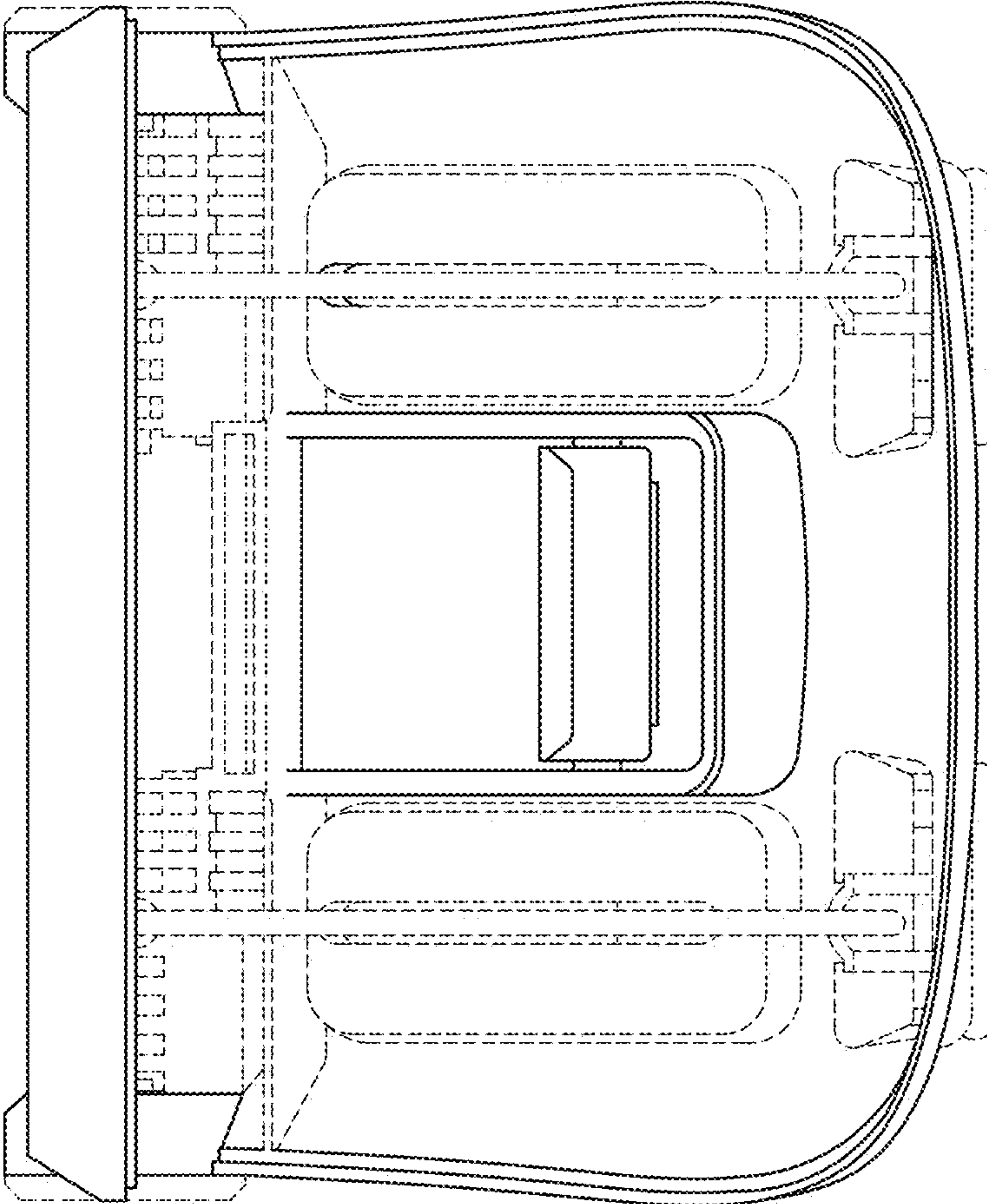


FIG. 4



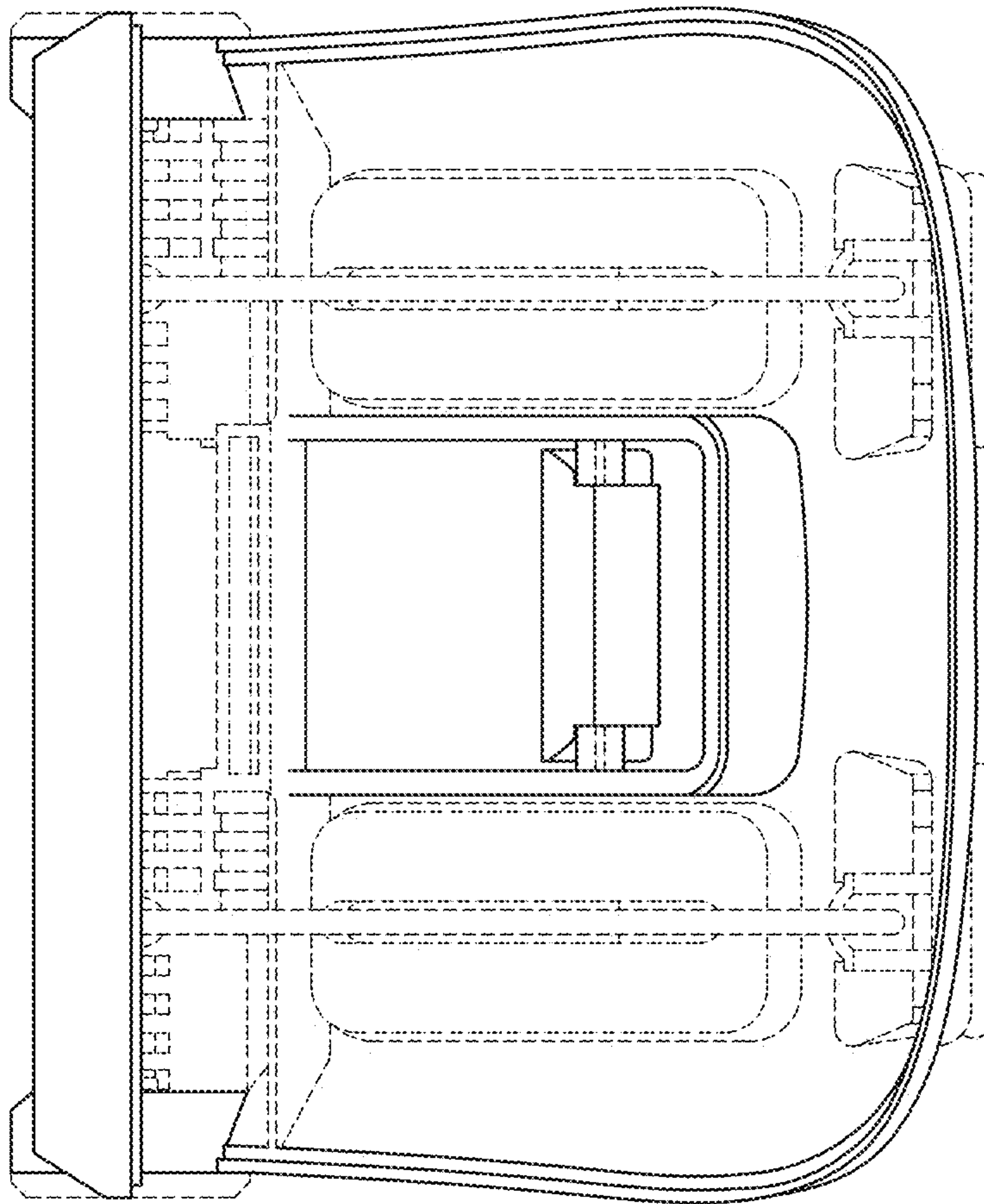


FIG. 5

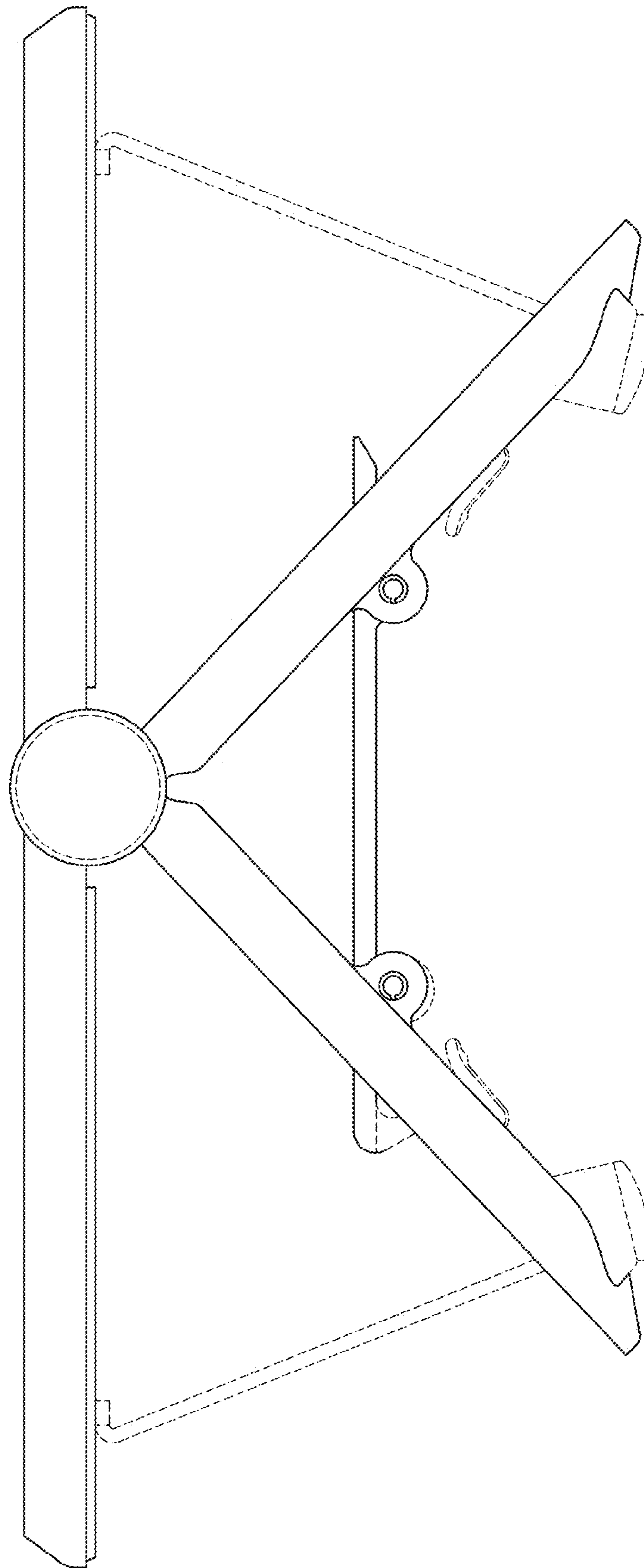


FIG. 6

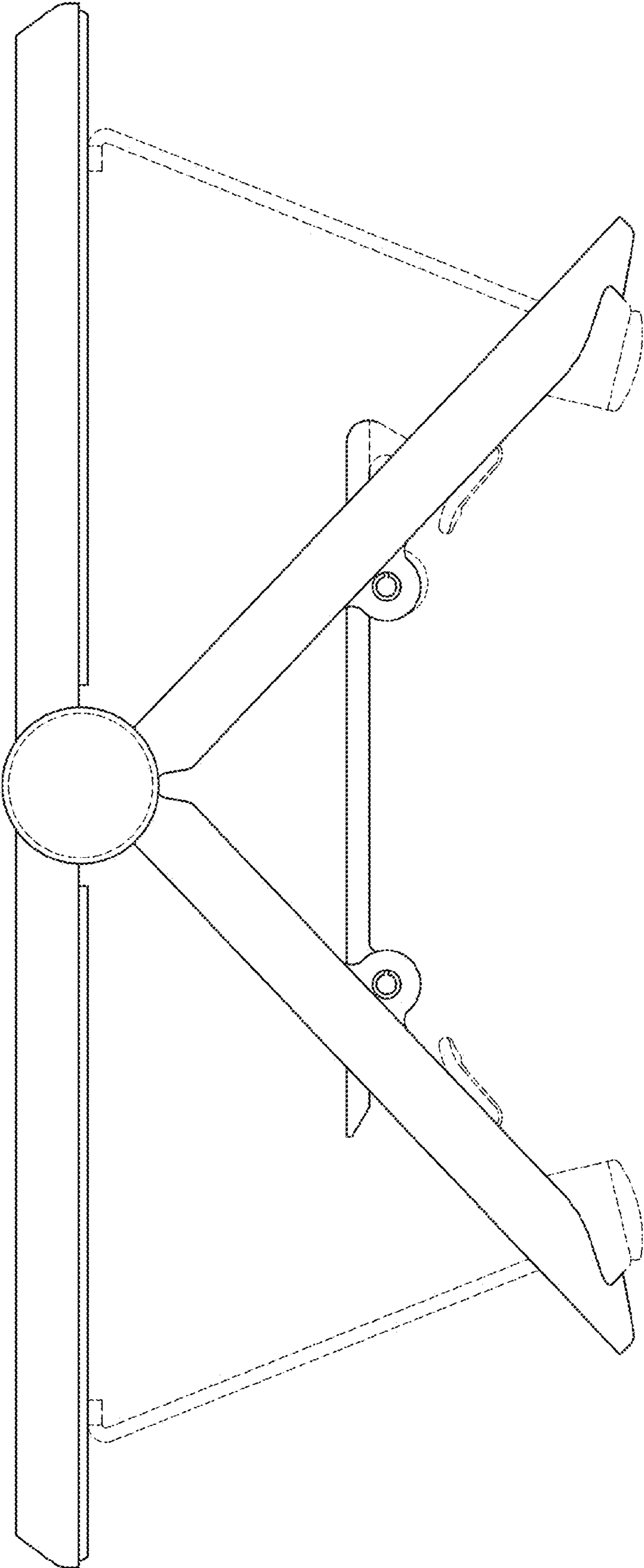


FIG. 7



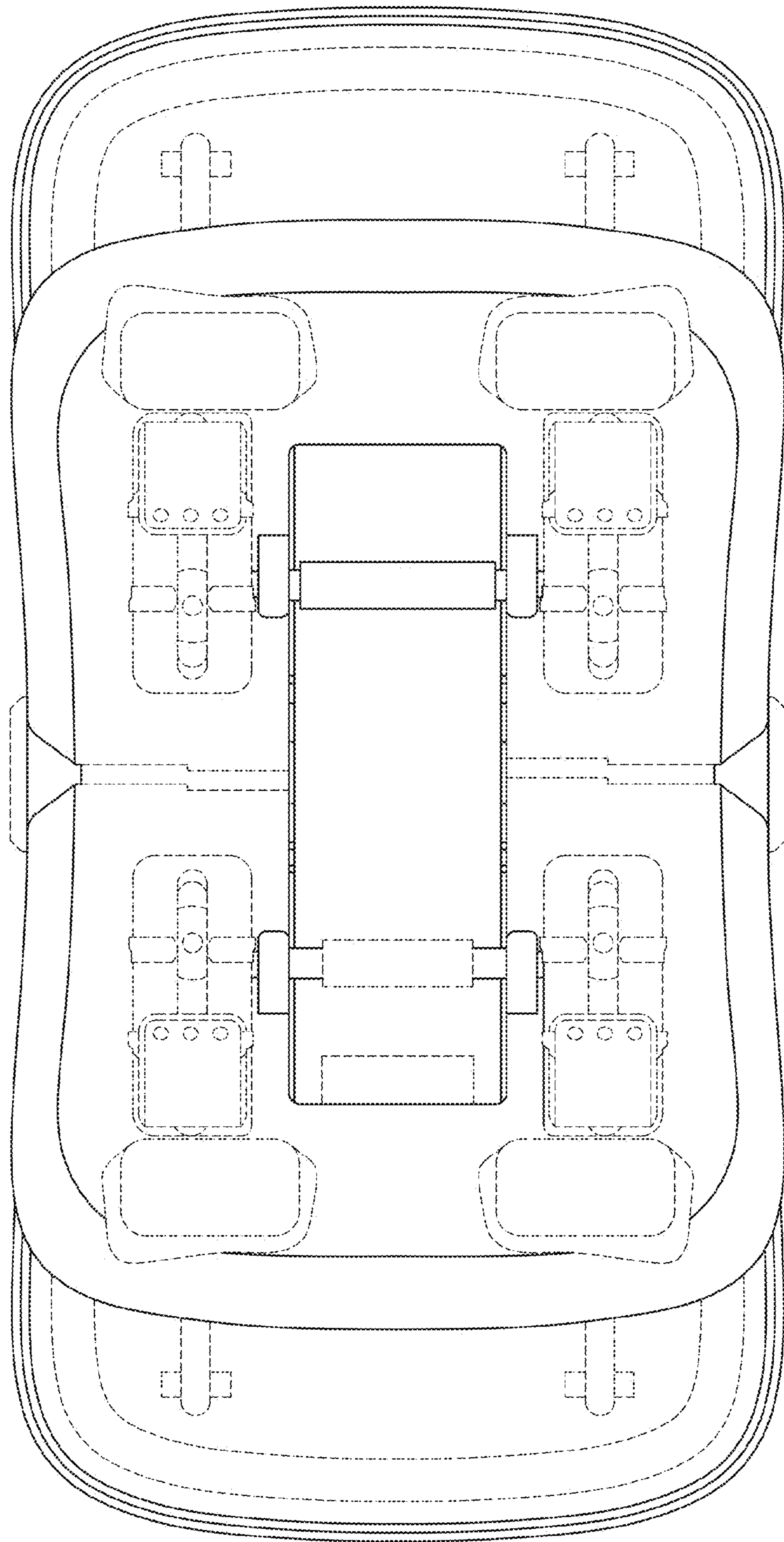


FIG. 8

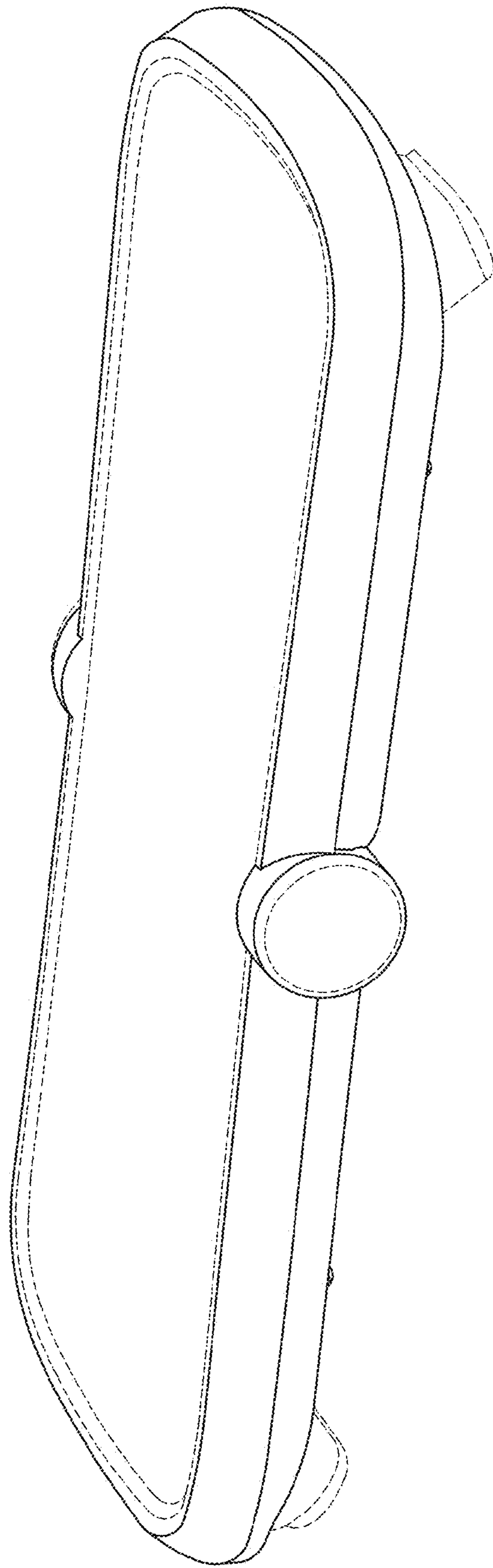


FIG. 9

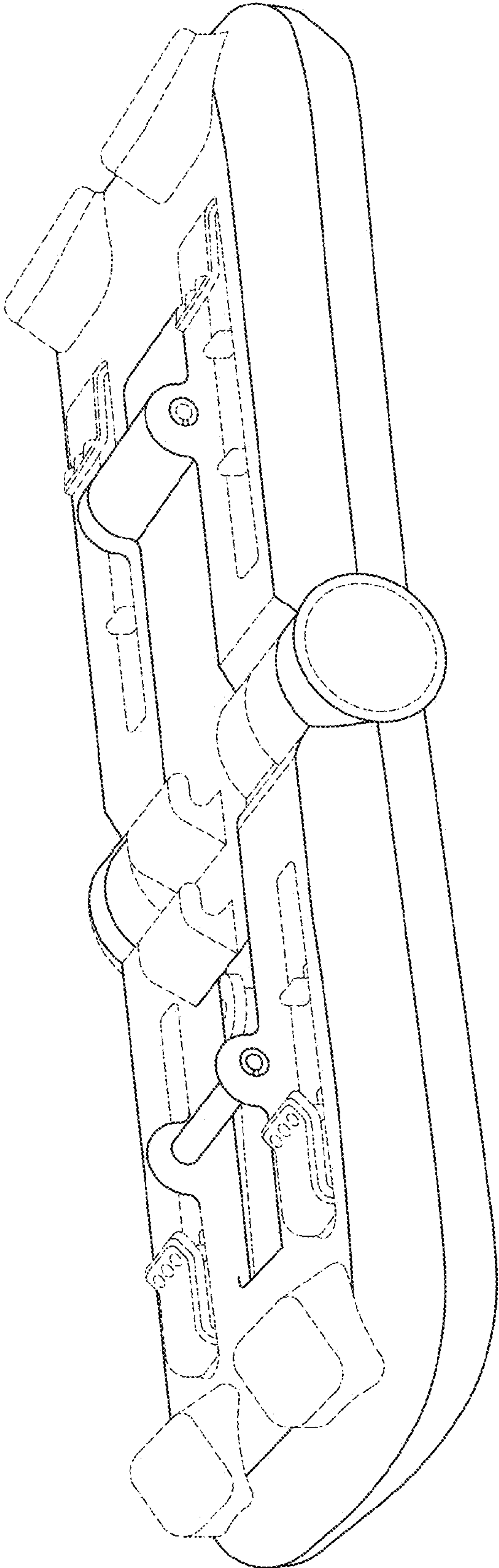


FIG. 10



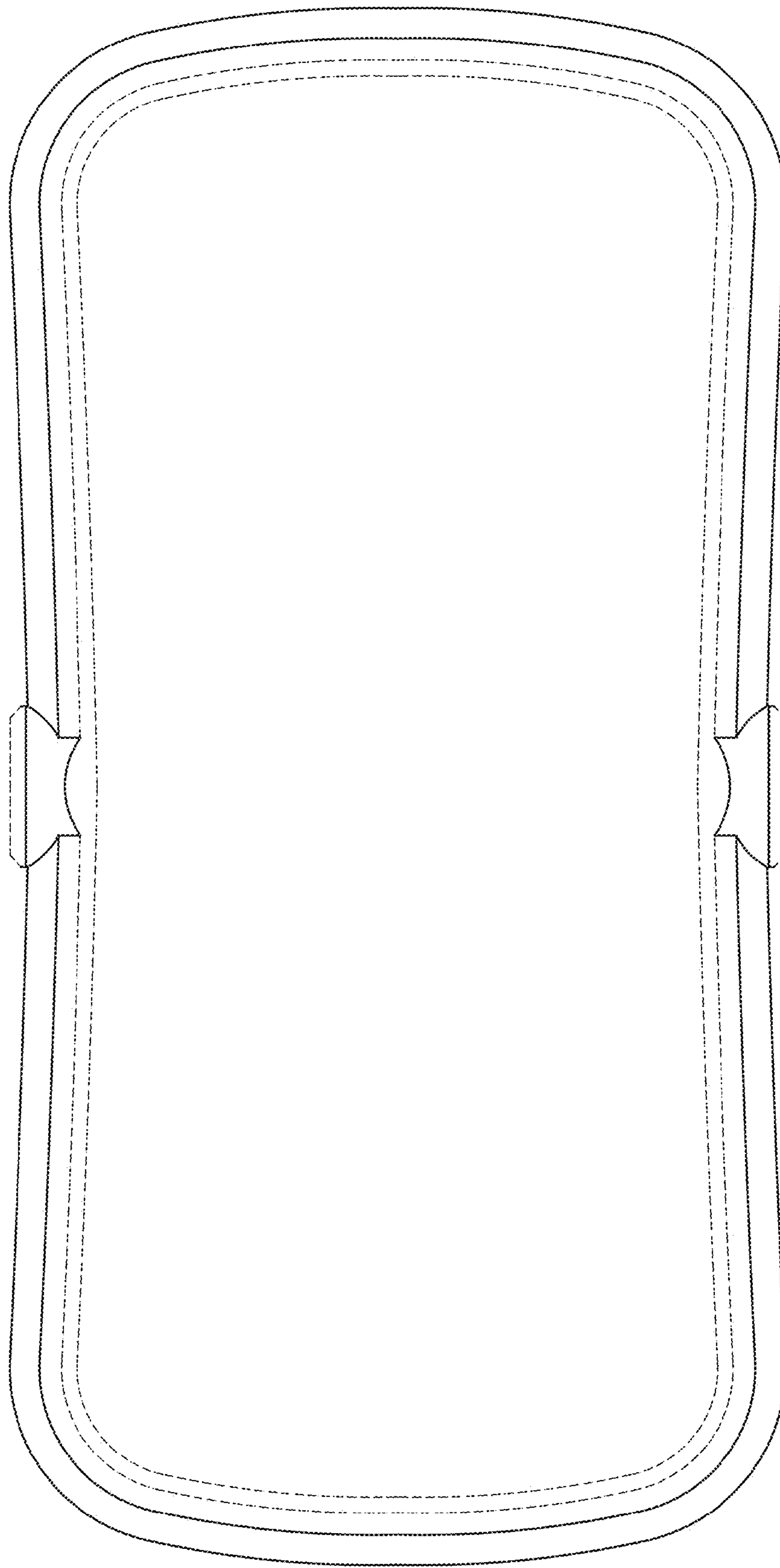


FIG. 11

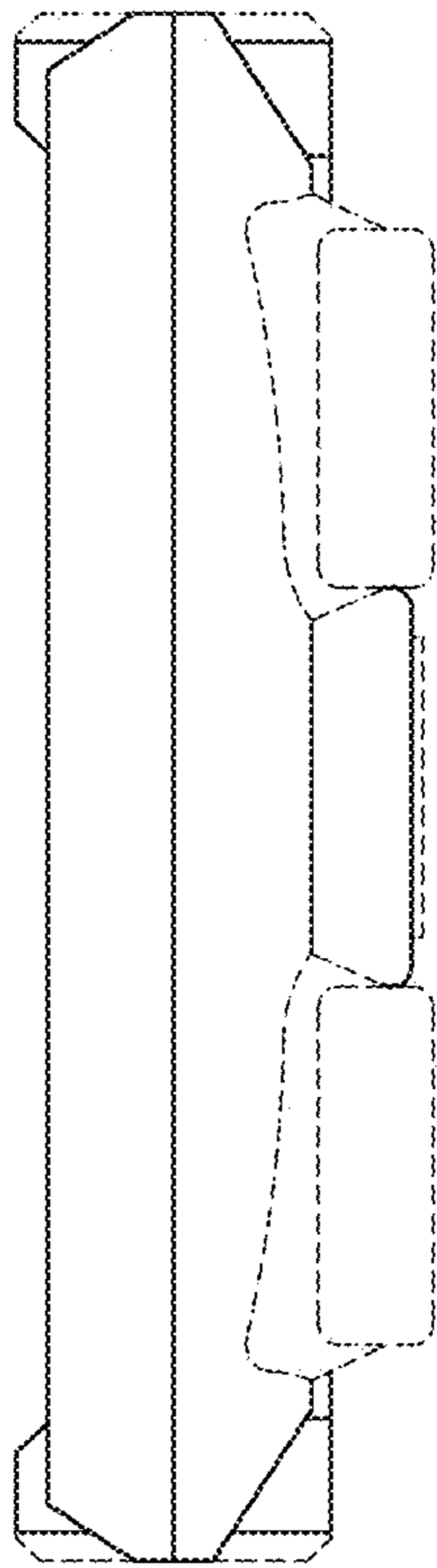


FIG. 12

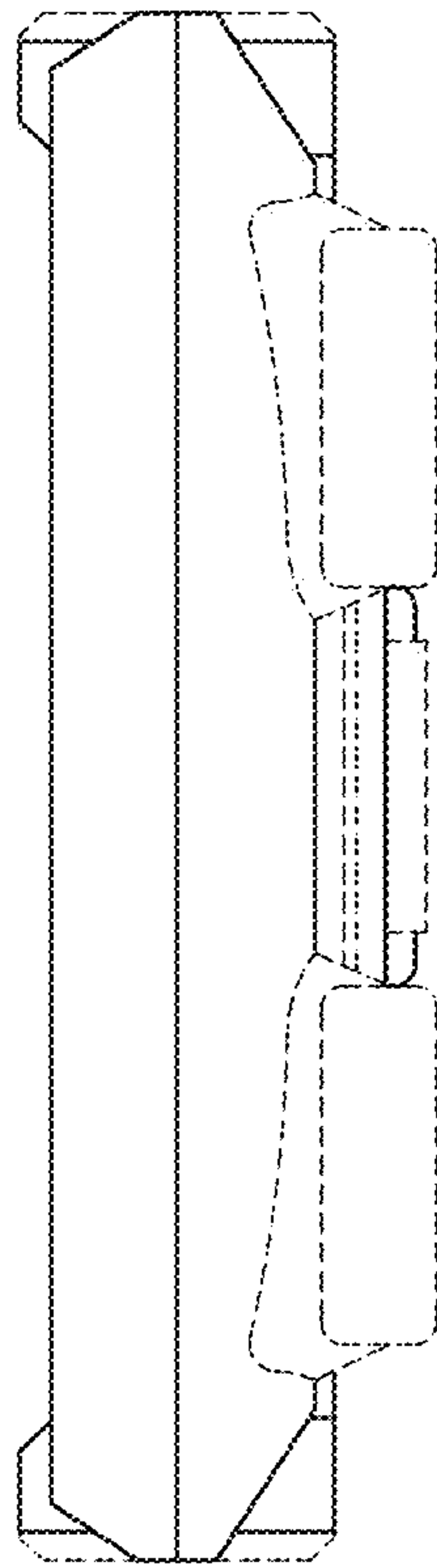


FIG. 13



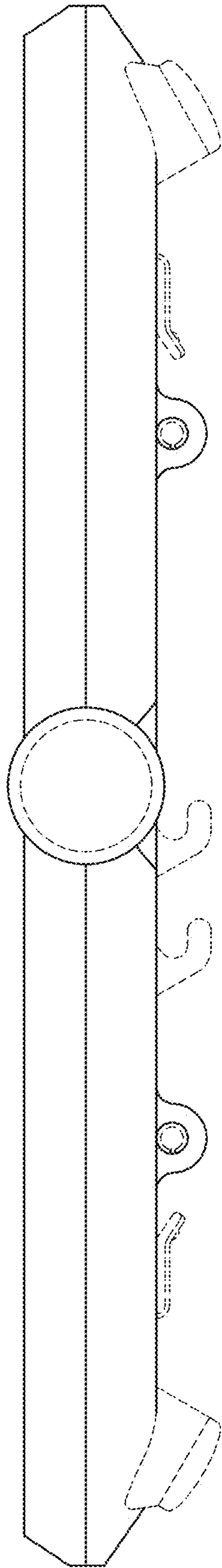


FIG. 14

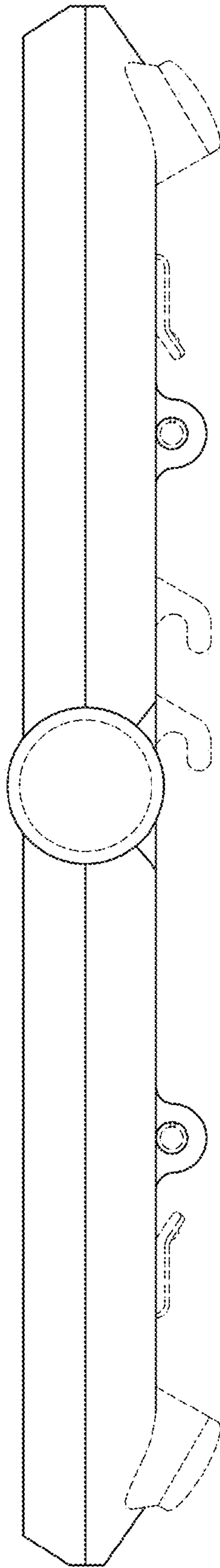


FIG. 15

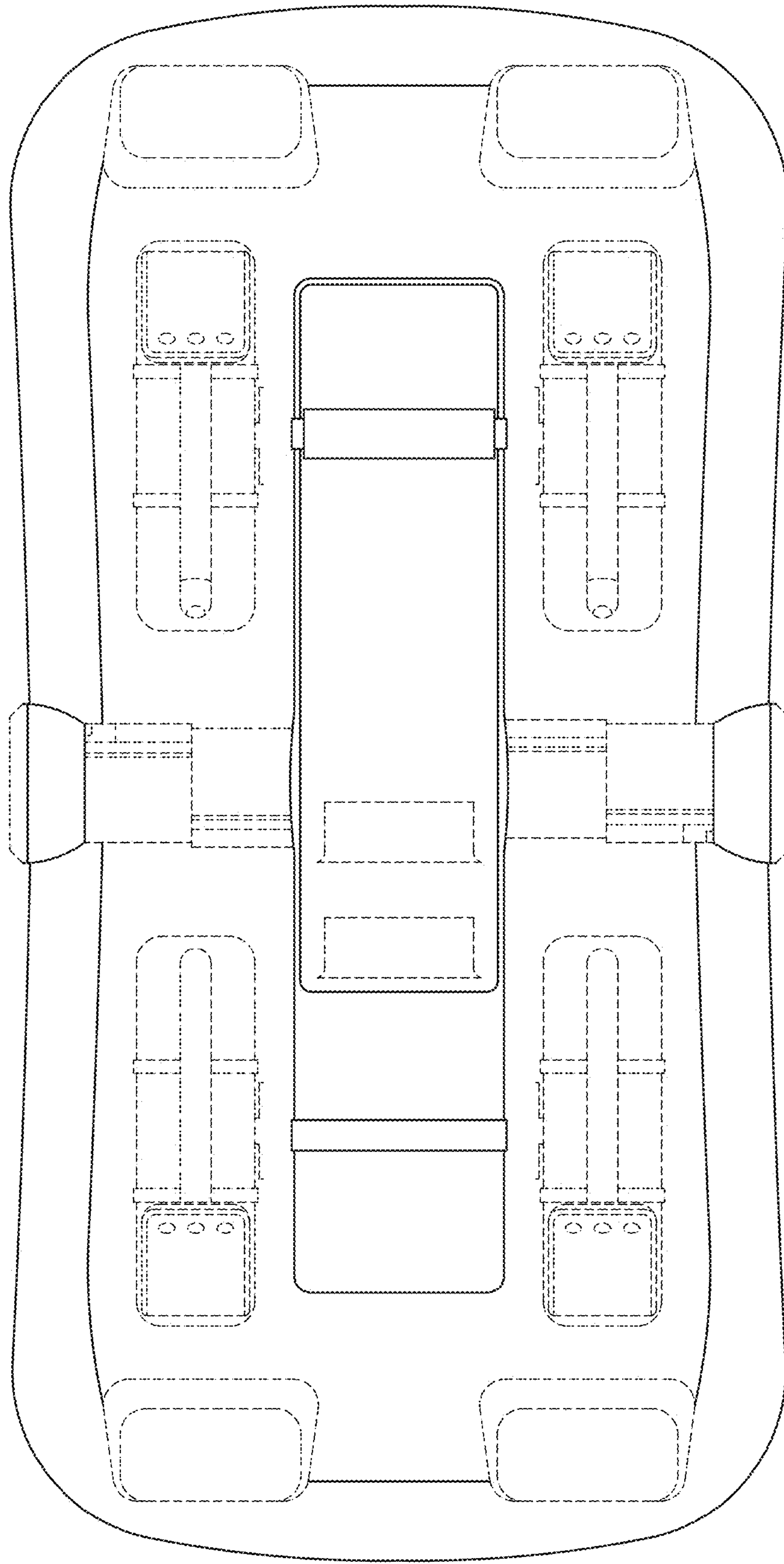


FIG. 16



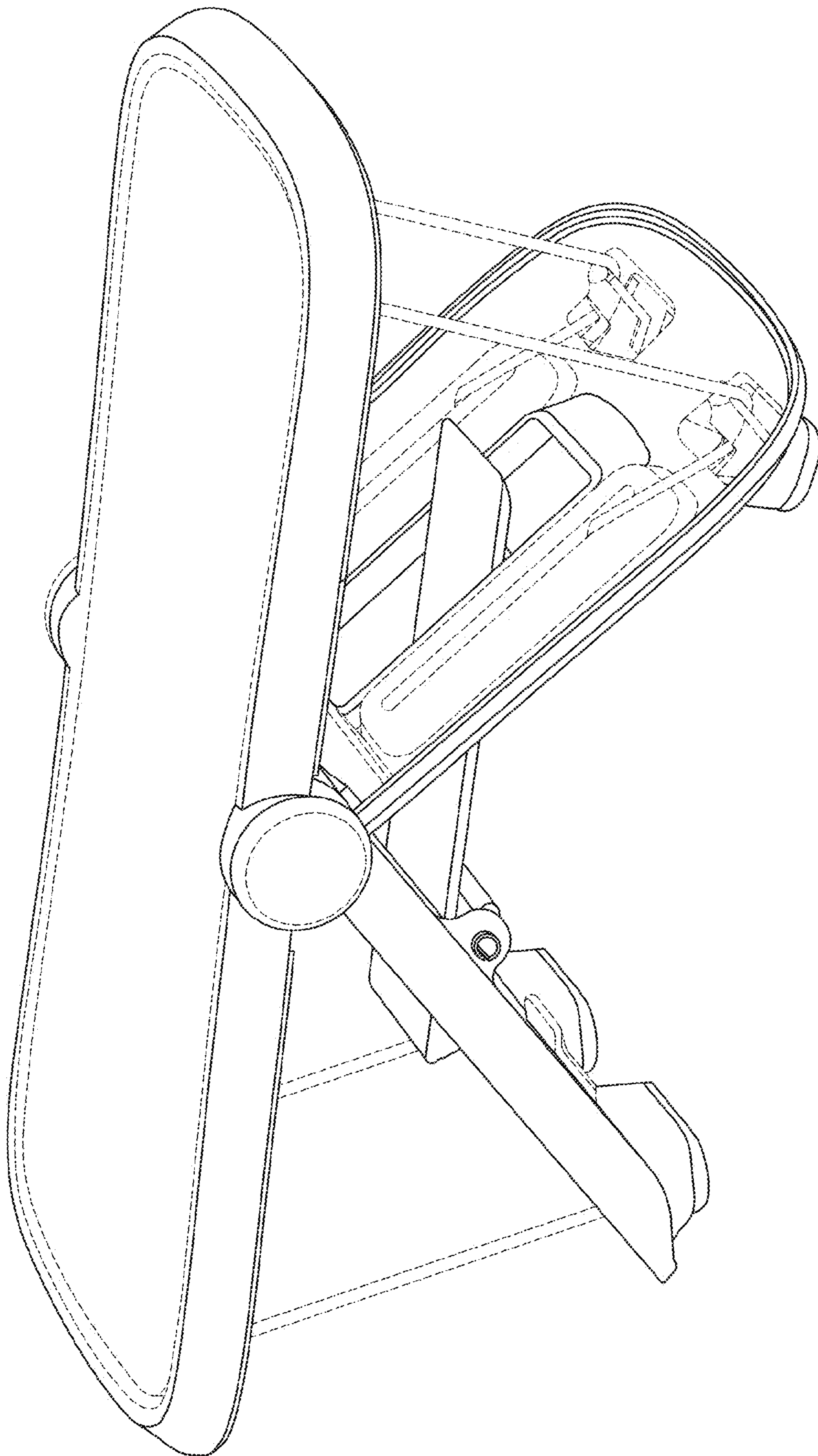


FIG. 17

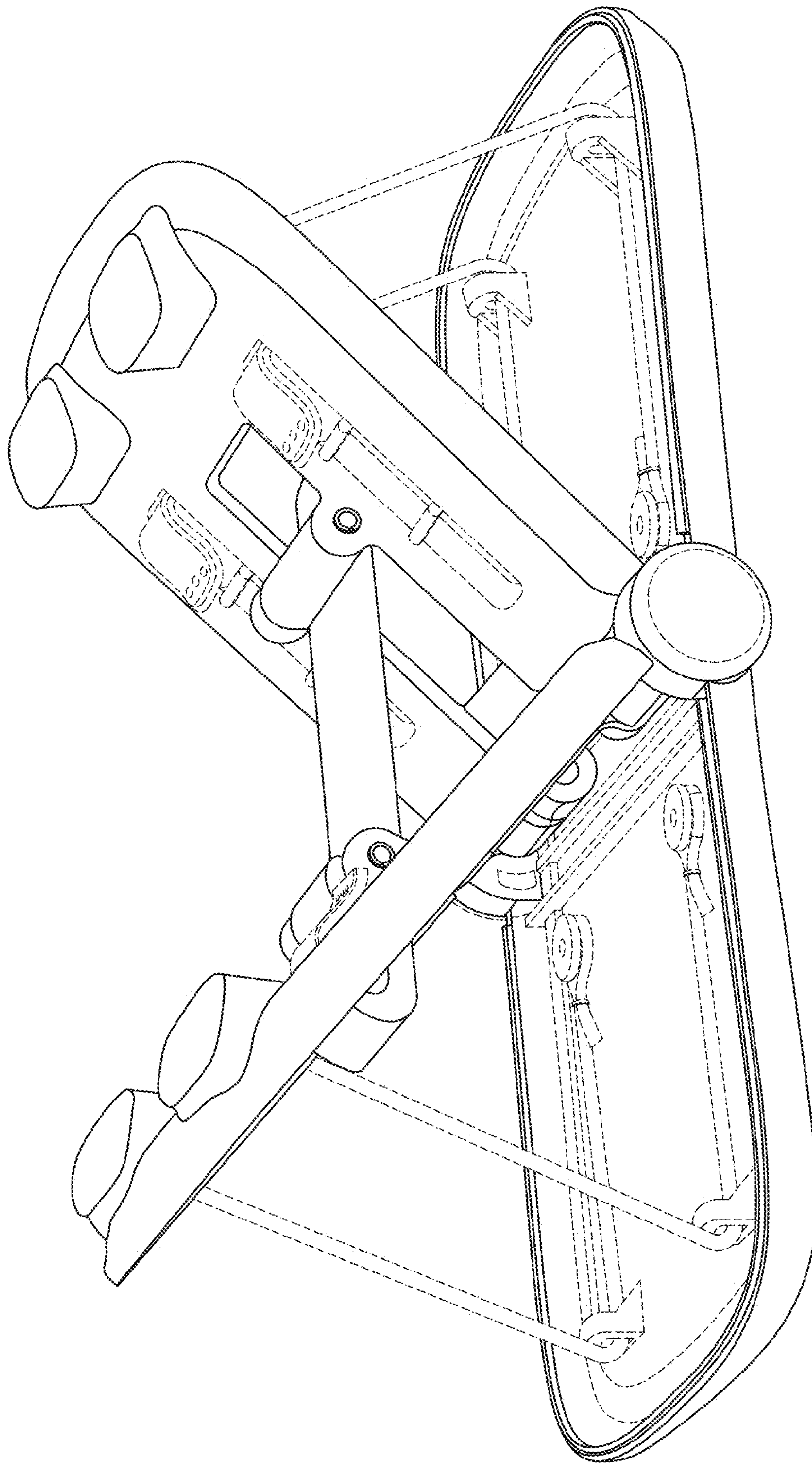


FIG. 18

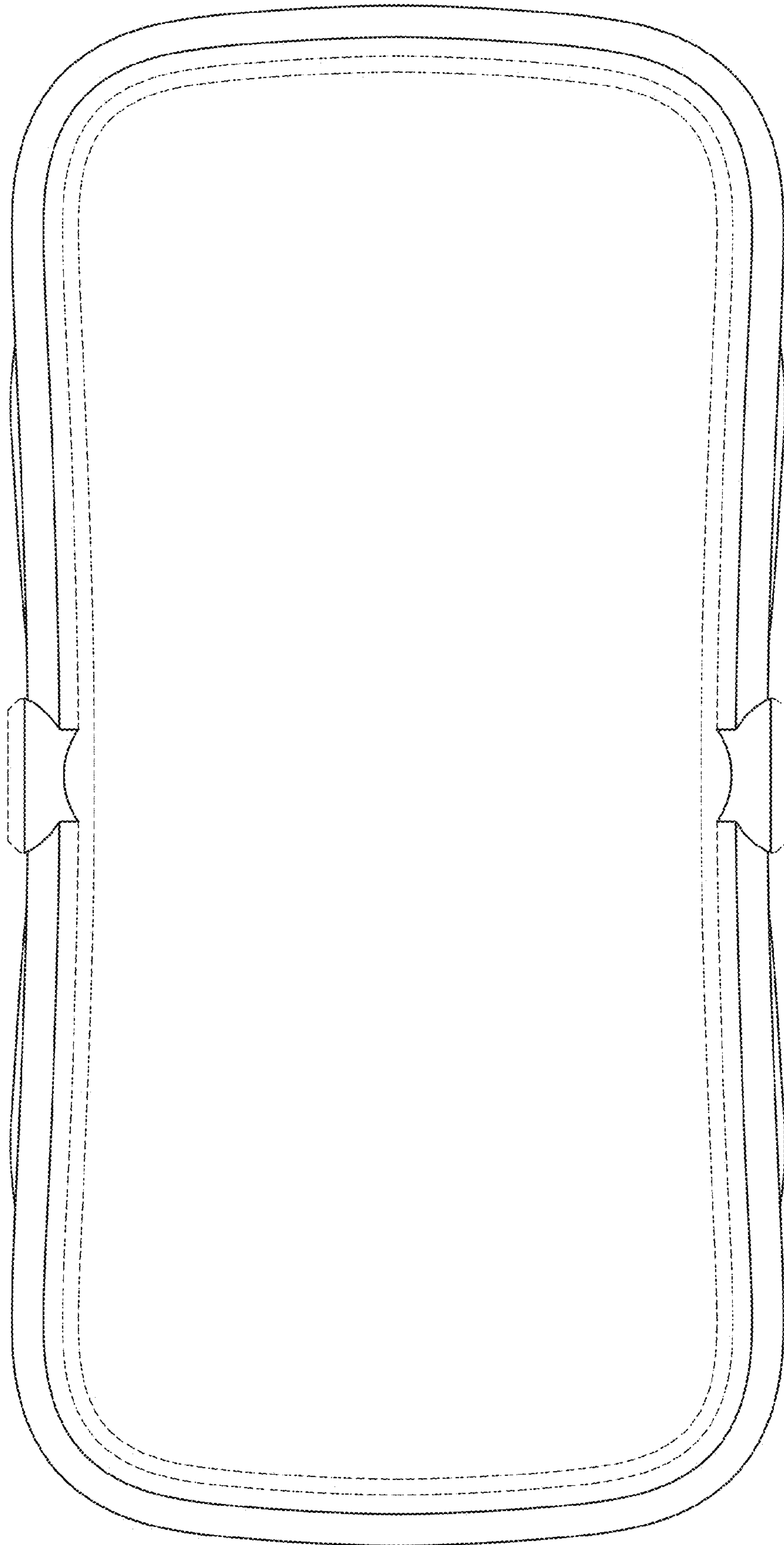


FIG. 19



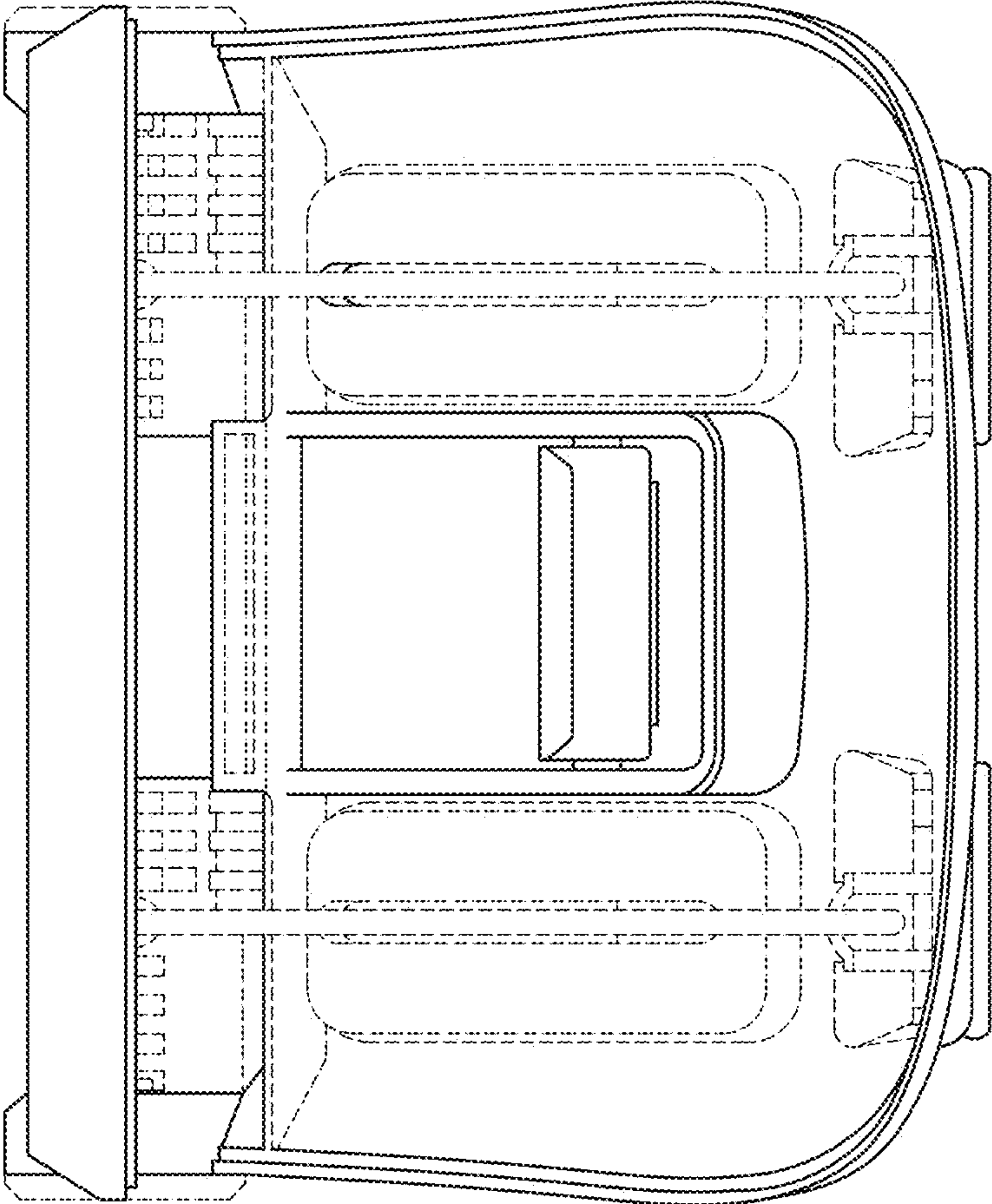


FIG. 20

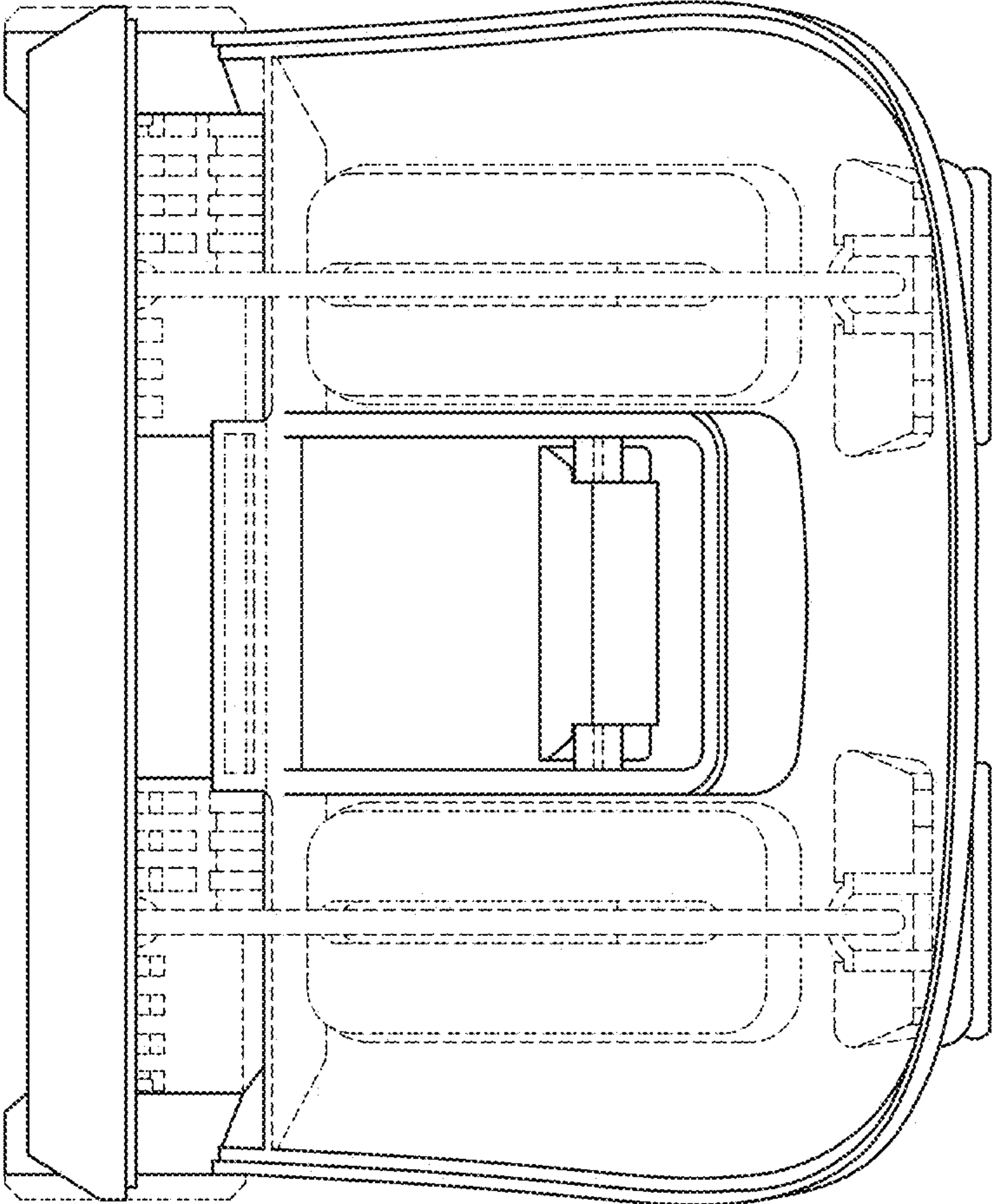


FIG. 21

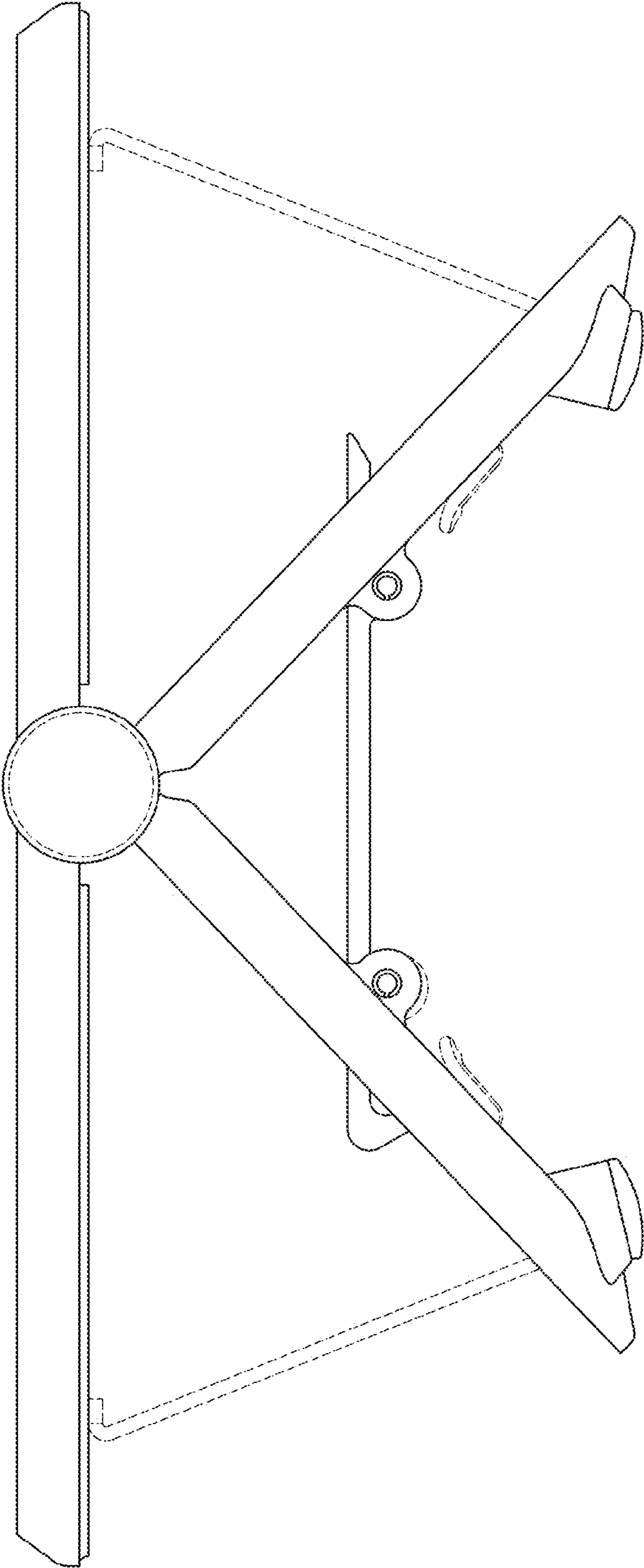


FIG. 22

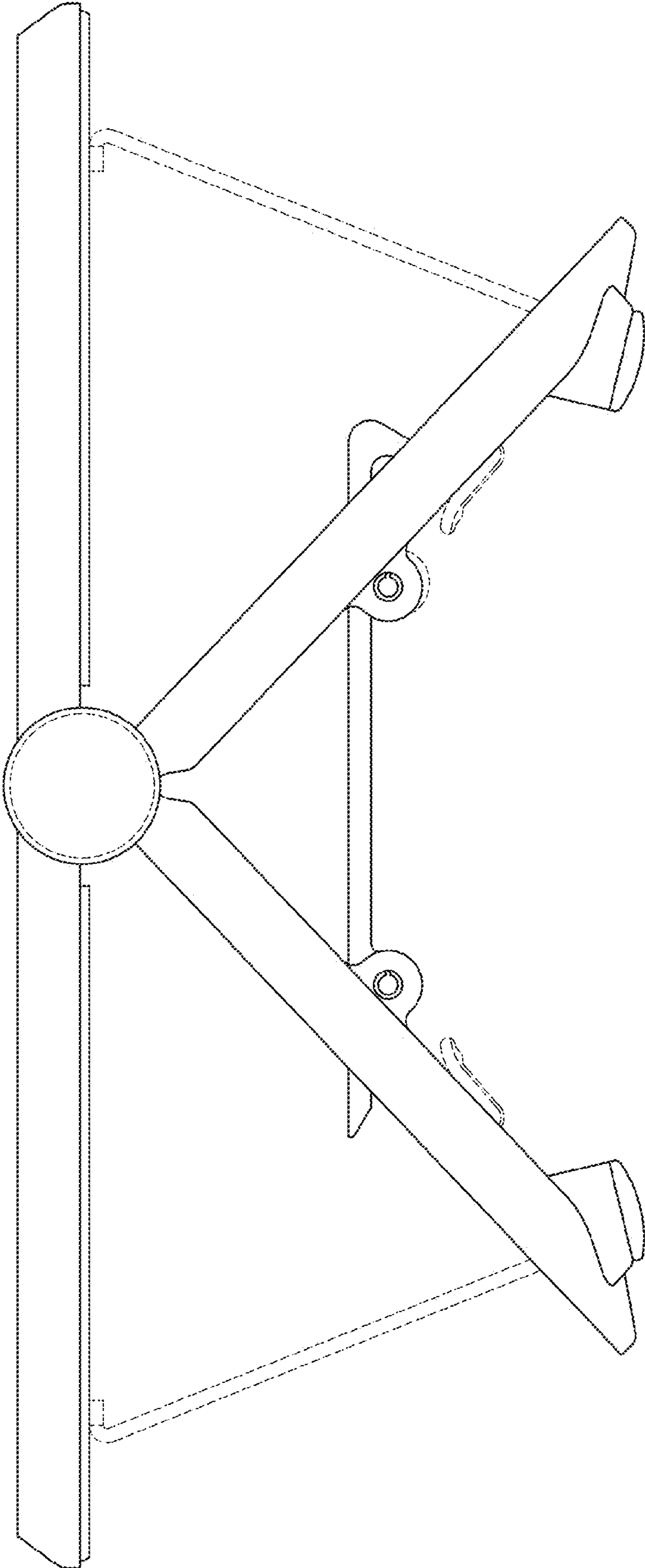


FIG. 23



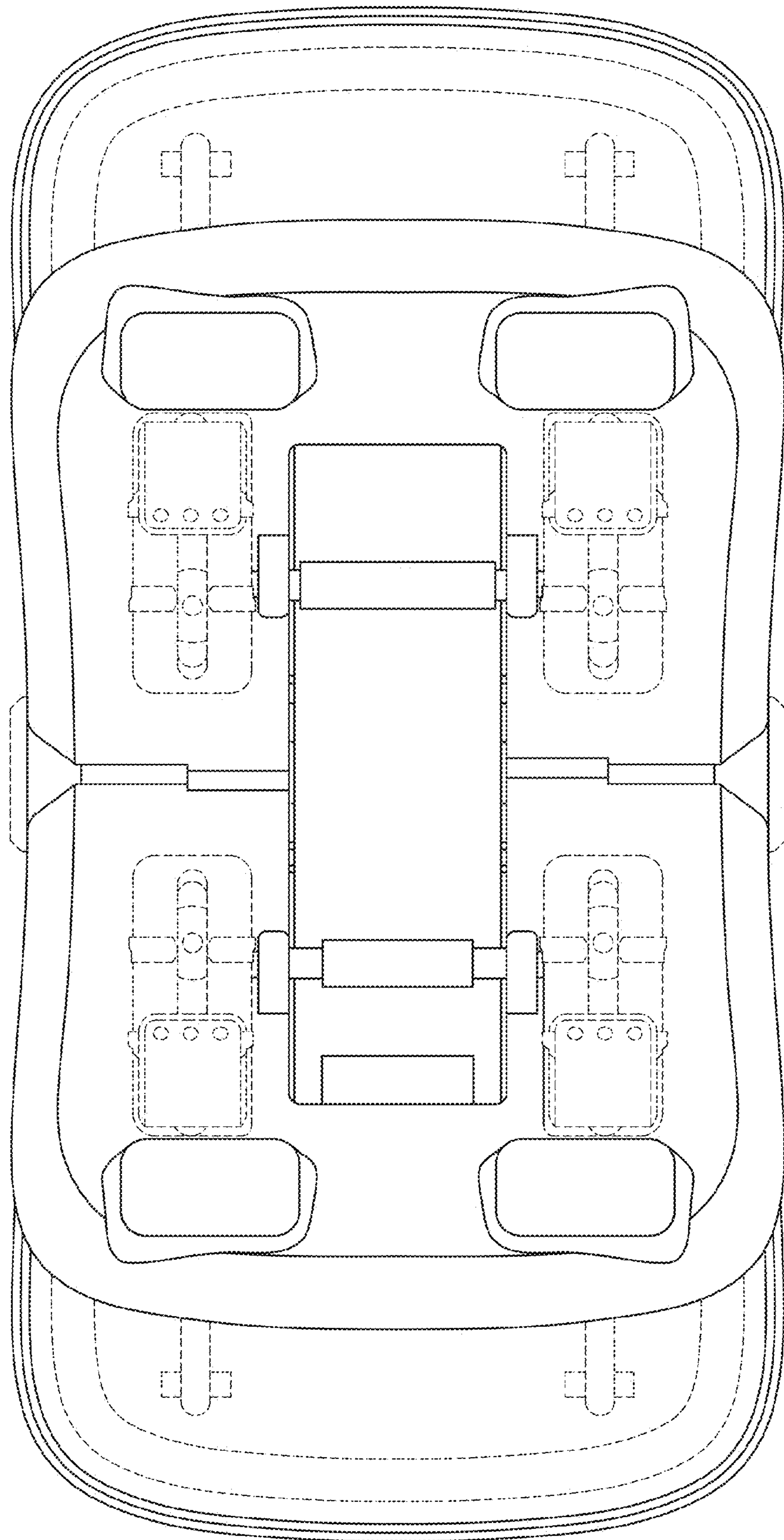


FIG. 24

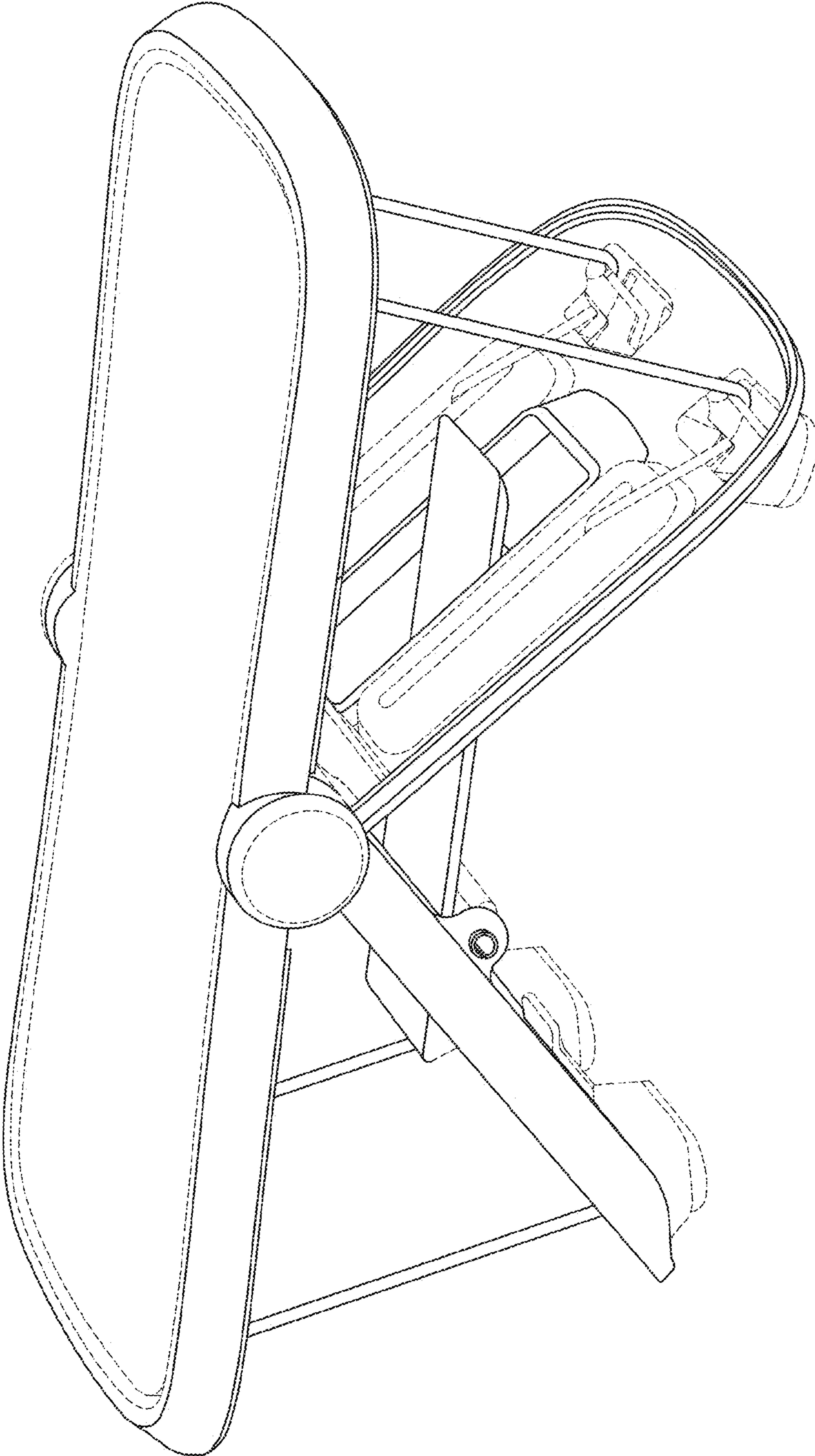


FIG. 25

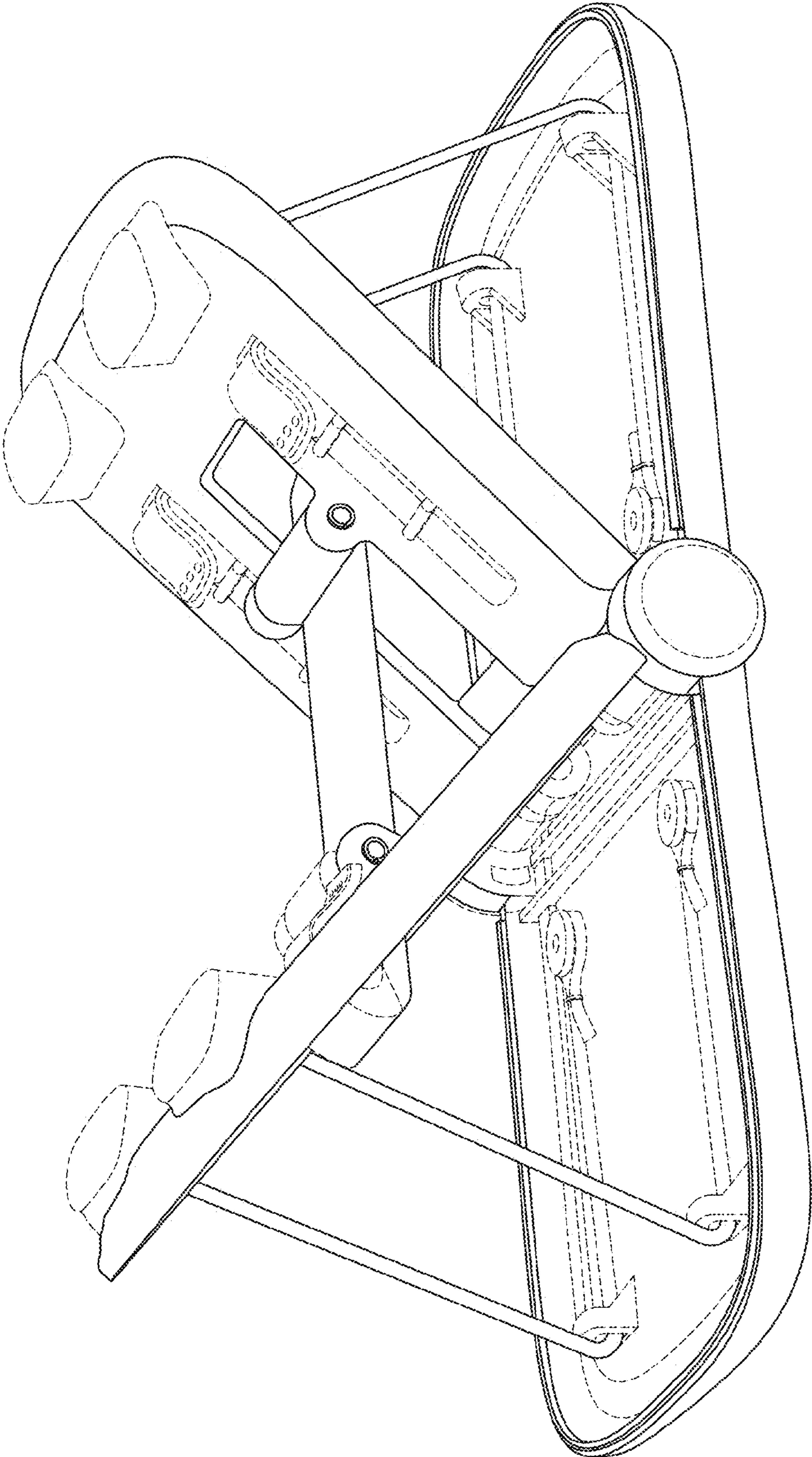


FIG. 26



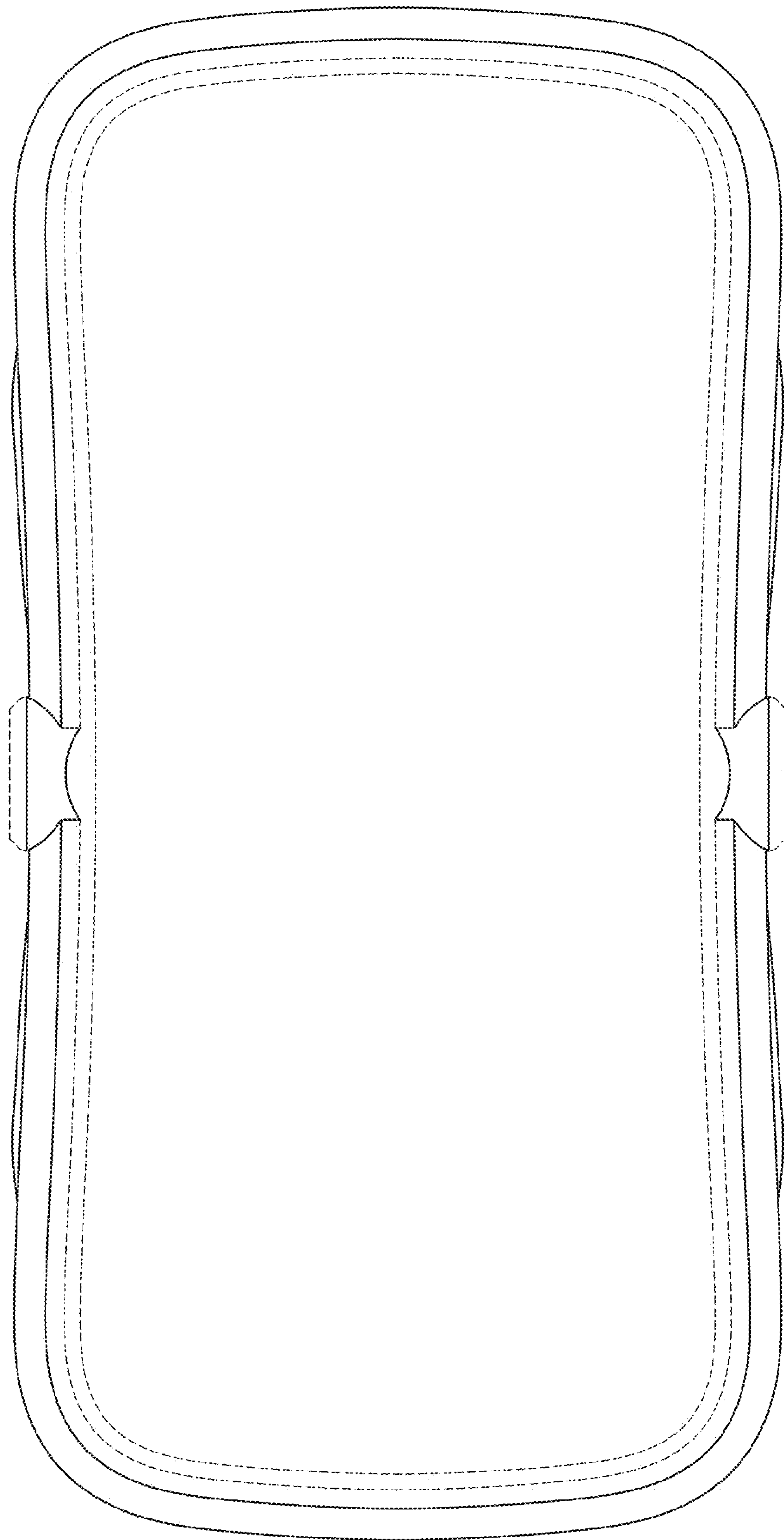


FIG. 27



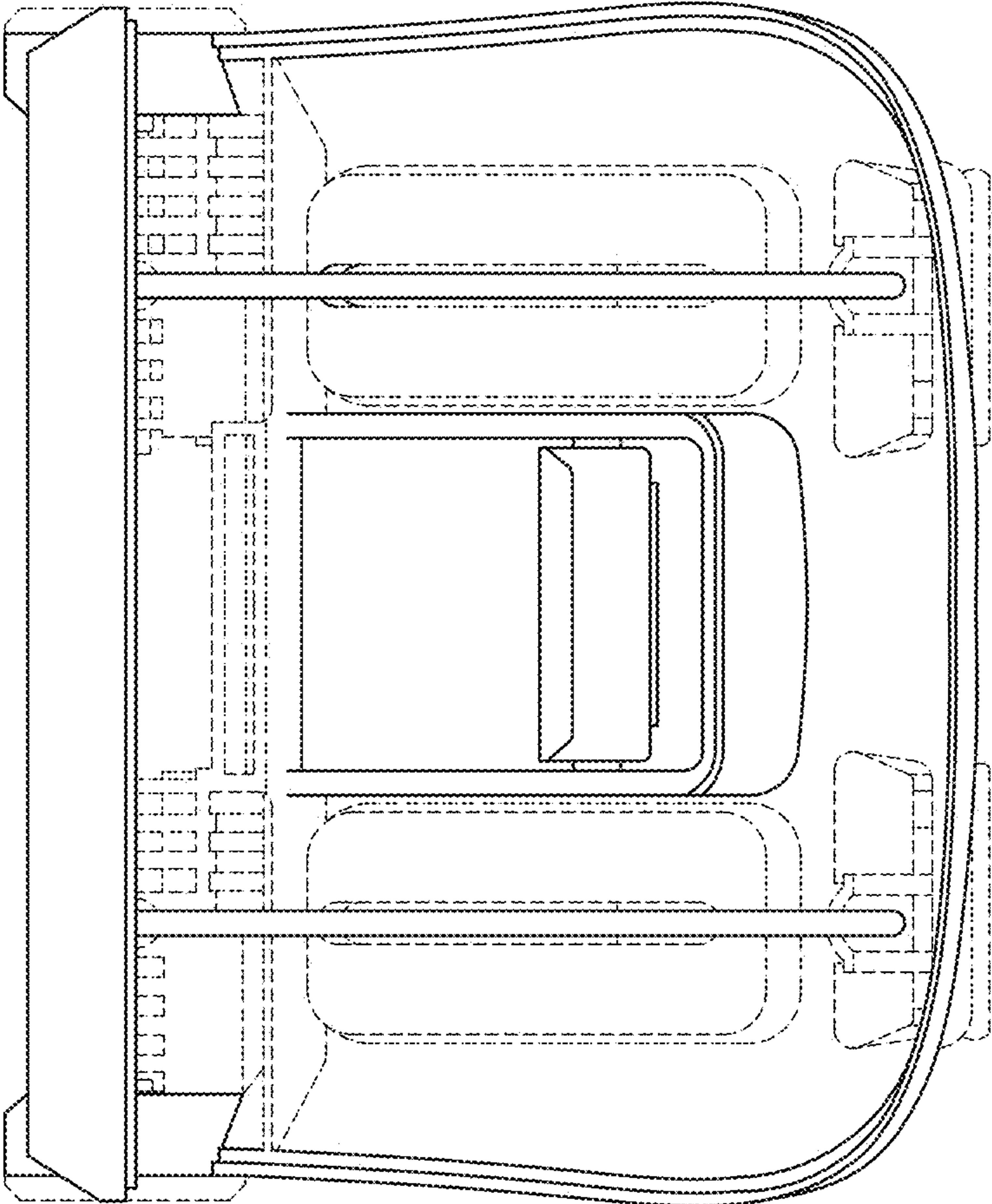


FIG. 28

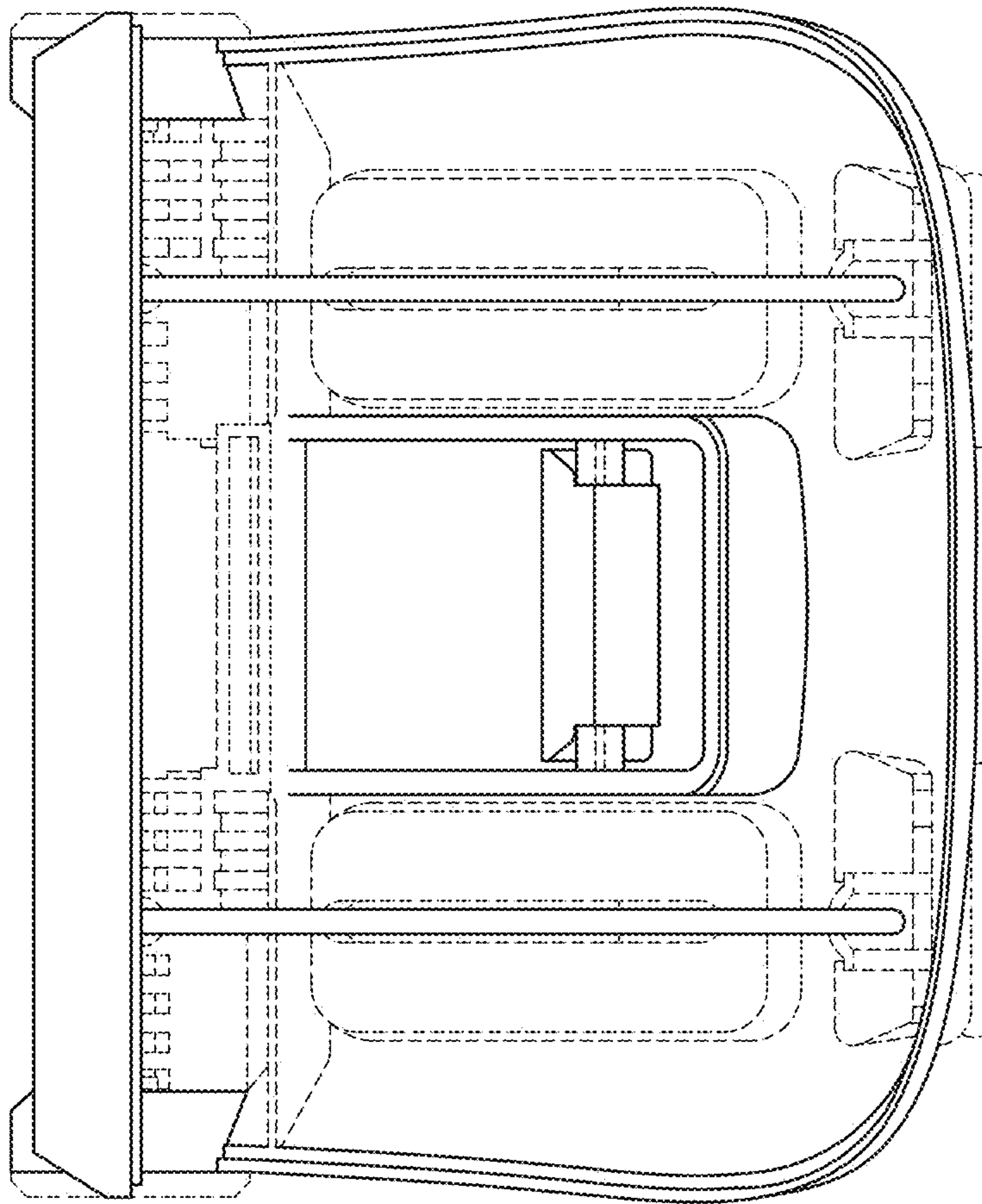


FIG. 29

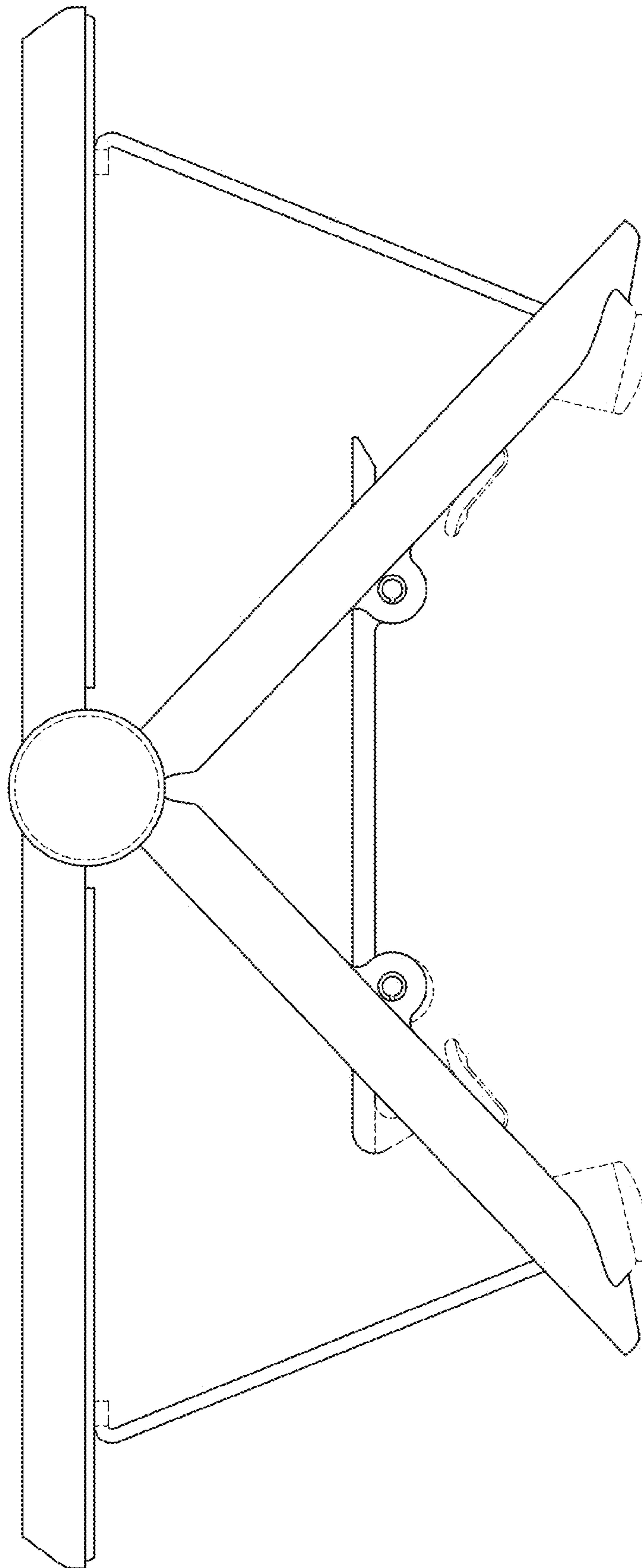


FIG. 30

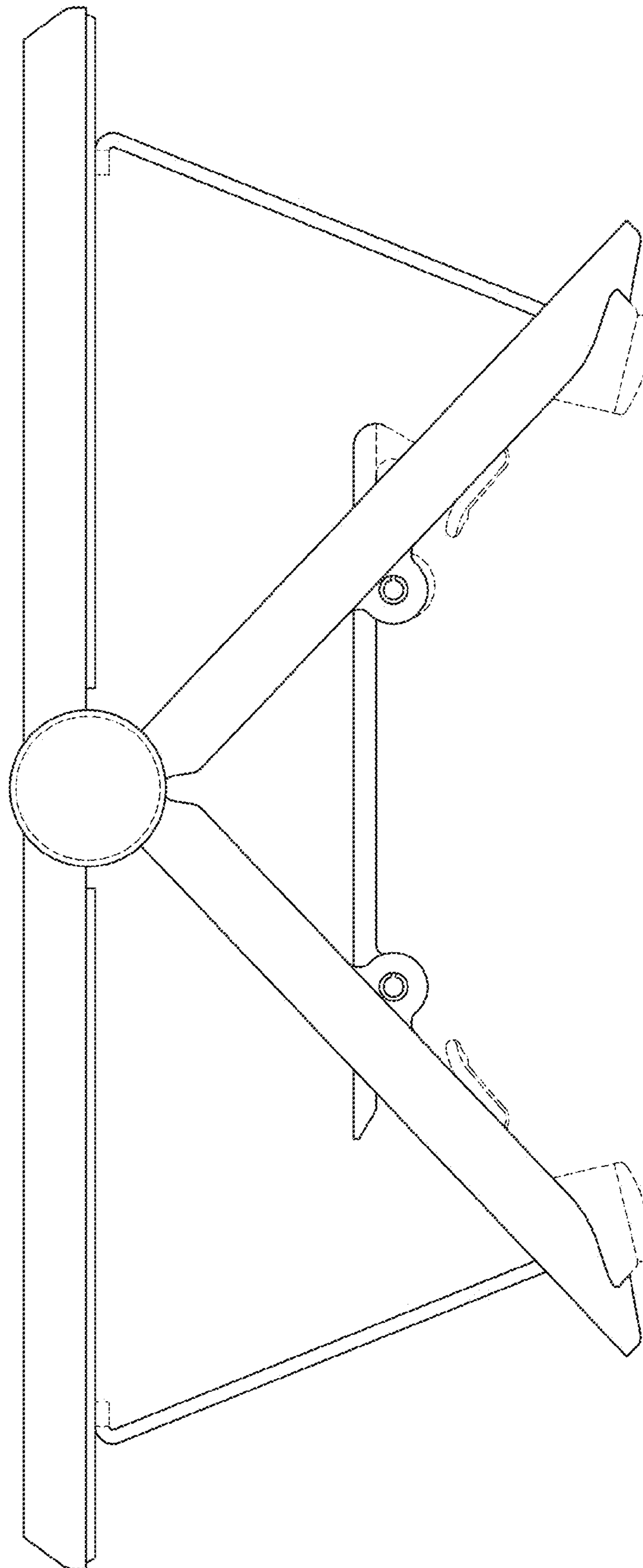


FIG. 31



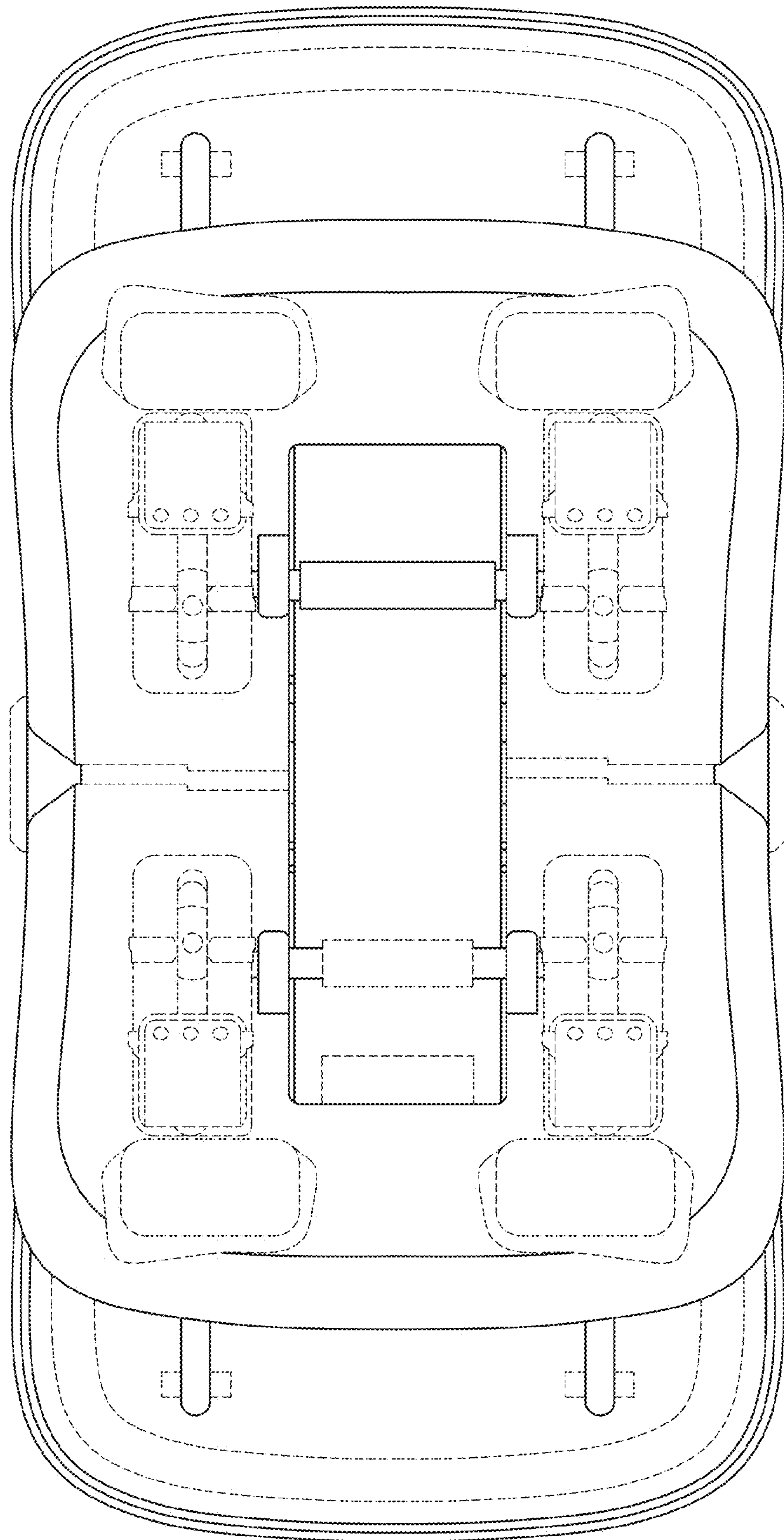


FIG. 32