

US00D961021S

(12) **United States Design Patent** (10) **Patent No.:** **US D961,021 S**  
**Jones** (45) **Date of Patent:** **\*\* Aug. 16, 2022**

(54) **WEIGHT VEST PLATE**  
(71) Applicant: **Coulter Ventures, LLC.**, Columbus, OH (US)  
(72) Inventor: **Dylan Jones**, Santa Barbara, CA (US)  
(73) Assignee: **Coulter Ventures, LLC.**, Columbus, OH (US)  
(\*\*) Term: **15 Years**  
(21) Appl. No.: **29/826,572**  
(22) Filed: **Feb. 14, 2022**

7,300,392 B1 11/2007 Curran  
D564,604 S 3/2008 Mikail  
D604,423 S 11/2009 Dunshee  
D609,357 S 2/2010 Yim  
D627,015 S 11/2010 Senegal  
(Continued)

**OTHER PUBLICATIONS**

Product listing for Rogue Weight Vest Plates from <<https://web.archive.org/web/20170719053833/https://www.roguefitness.com/rogue-weight-vest-plates>>, dated Jul. 19, 2017.

(Continued)

*Primary Examiner* — Khawaja Anwar  
*Assistant Examiner* — Julice Seung Eun Oum  
(74) *Attorney, Agent, or Firm* — Banner & Witcoff, Ltd.

**Related U.S. Application Data**

(63) Continuation of application No. 29/800,028, filed on Jul. 19, 2021, now Pat. No. Des. 944,343, which is a continuation of application No. 29/657,364, filed on Jul. 20, 2018, now Pat. No. Des. 925,667.

(51) **LOC (13) Cl.** ..... **21-02**  
(52) **U.S. Cl.**  
USPC ..... **D21/680**

(58) **Field of Classification Search**  
USPC ..... D21/662, 681, 682, 686, 694, 680, 684, D21/679, 457, 488, 419, 421, 423, 426, D21/760, 765, 766, 769, 771, 776, 803, D21/687, 688, 689, 690, 707, 797, 802, D21/811, 814, 818

See application file for complete search history.

(56) **References Cited**

**U.S. PATENT DOCUMENTS**

D219,827 S 2/1971 Mihalcheon  
D353,640 S 12/1994 Huang  
D394,481 S 5/1998 DeLisse  
5,833,588 A 11/1998 Connelly, III et al.  
D471,605 S 3/2003 Teff  
D534,231 S 12/2006 Dosta Vidal et al.

(57) **CLAIM**

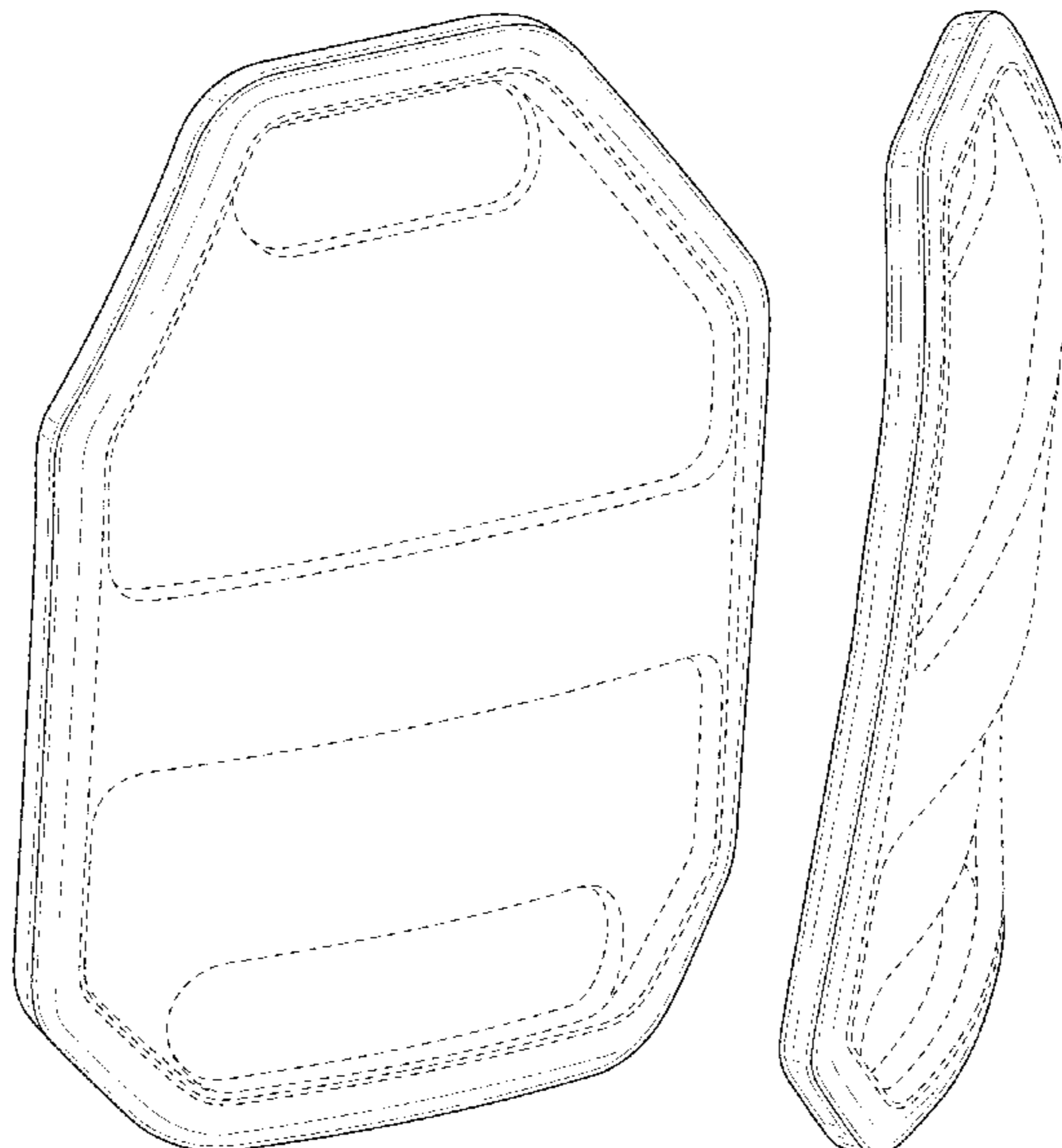
The ornamental design for a weight vest plate, as shown and described.

**DESCRIPTION**

FIG. 1 is a top, front, right perspective view of a weight vest plate showing my new design;  
FIG. 2 is an alternate top, front, right perspective view thereof;  
FIG. 3 is a rear, bottom, left perspective view thereof;  
FIG. 4 is a front view thereof;  
FIG. 5 is a rear view thereof;  
FIG. 6 is a left side view thereof;  
FIG. 7 is a right side view thereof;  
FIG. 8 is a top view thereof;  
FIG. 9 is a bottom view thereof; and,  
FIG. 10 is an alternate rear, bottom, left perspective view thereof.

The broken lines depicting the remainder of the weight vest plate show features that form no part of the claimed design.

**1 Claim, 8 Drawing Sheets**



(56)

References Cited

U.S. PATENT DOCUMENTS

D685,440 S 7/2013 Tuttle  
 9,095,738 B2 8/2015 Senegal  
 D738,444 S 9/2015 Hilson  
 D741,963 S 10/2015 Baumann et al.  
 9,327,155 B2 5/2016 Doyle  
 D799,706 S 10/2017 Scheuermann  
 D804,677 S 12/2017 Ramires et al.  
 D808,024 S 1/2018 Moore  
 D857,436 S 8/2019 Feiner et al.  
 D875,194 S 2/2020 Zhou et al.  
 D890,868 S 7/2020 Zhao  
 D895,744 S \* 9/2020 Leier ..... D21/694  
 D898,841 S \* 10/2020 Chiu ..... D21/662  
 D908,825 S 1/2021 Beach  
 10,881,898 B2 1/2021 Petersen  
 D923,182 S 6/2021 Borisov  
 D946,095 S \* 3/2022 Hunt ..... D21/686  
 2005/0017463 A1 1/2005 Kane  
 2012/0252645 A1 10/2012 Agostini  
 2018/0133553 A1 5/2018 Kramer et al.

2019/0262207 A1 8/2019 Lee et al.  
 2019/0329088 A1 10/2019 Daly  
 2020/0406085 A1 12/2020 Reinstein et al.

OTHER PUBLICATIONS

Solofit fitness balance, announced 2017 [online], [site visited Mar. 11, 2021]. Available from internet URL: [https://www.amazon.com/<http://www.amazon.com/>Solofit-Fitness-Balance-Resistance-Purple/dp/B0743DTY3M/ref=sr\\_1\\_53?dchild=1&keywords=balance+board&qid=1615433111&sr=8-53](https://www.amazon.com/<http://www.amazon.com/>Solofit-Fitness-Balance-Resistance-Purple/dp/B0743DTY3M/ref=sr_1_53?dchild=1&keywords=balance+board&qid=1615433111&sr=8-53) (Year: 2017).  
 Ruck weights, announced 2015 [online], [site visited Mar. 11, 2021]. Available from internet, URL: <https://www.youtube.com/watch?v=<http://www.youtube.com/watch?v>qY5uxH6rRBc> (Year: 2015).  
 Arm chair tray, announced 1952 [online], [site visited Mar. 11, 2021]. Available from the internet URL: <https://www.modip.ac.uk/artefact<http://www.modip.ac.uk/artefact>/aibdc-006333sa> (Year: Arm ).

\* cited by examiner

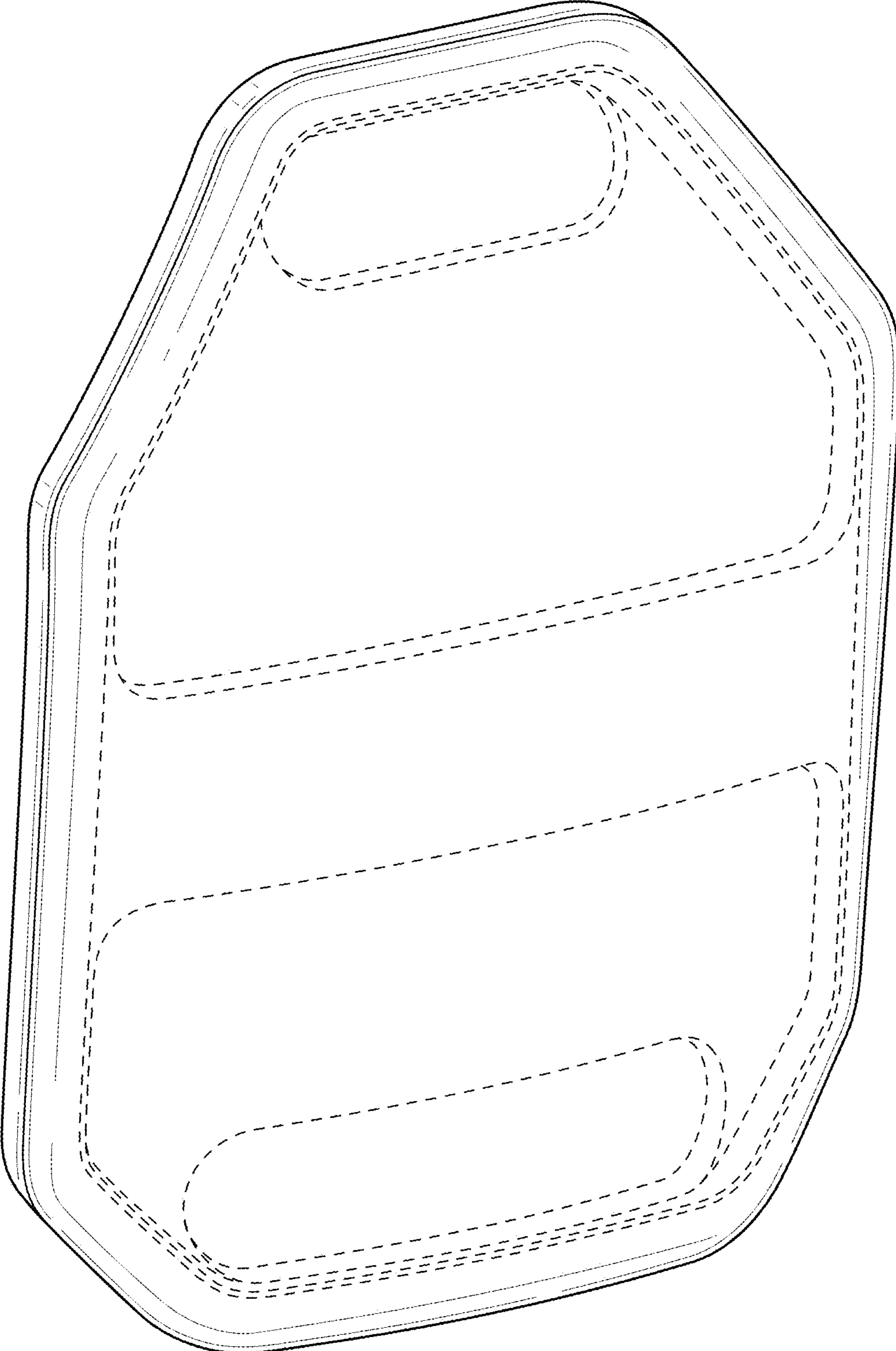
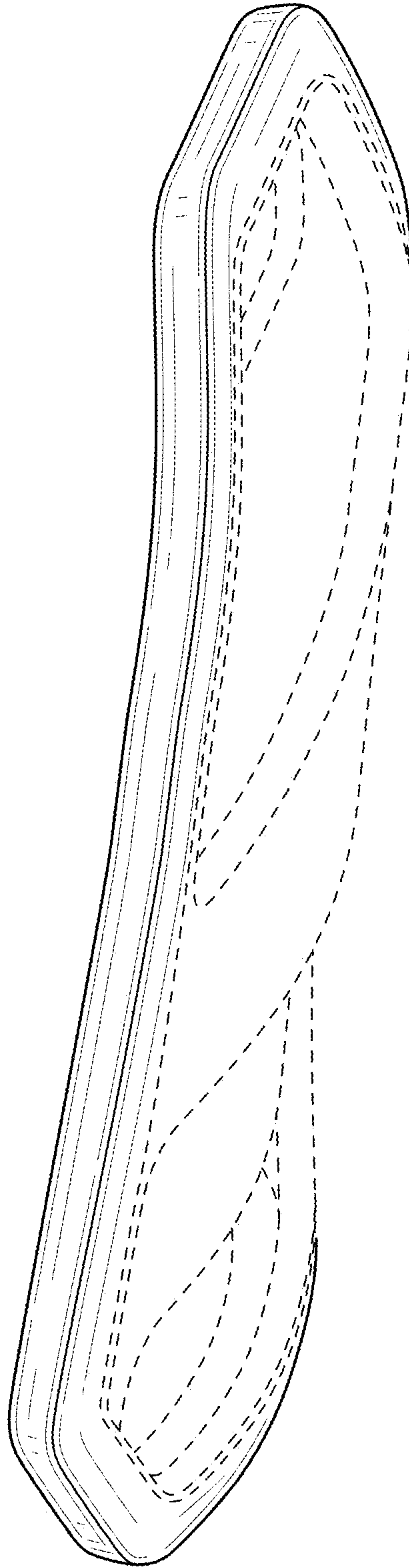
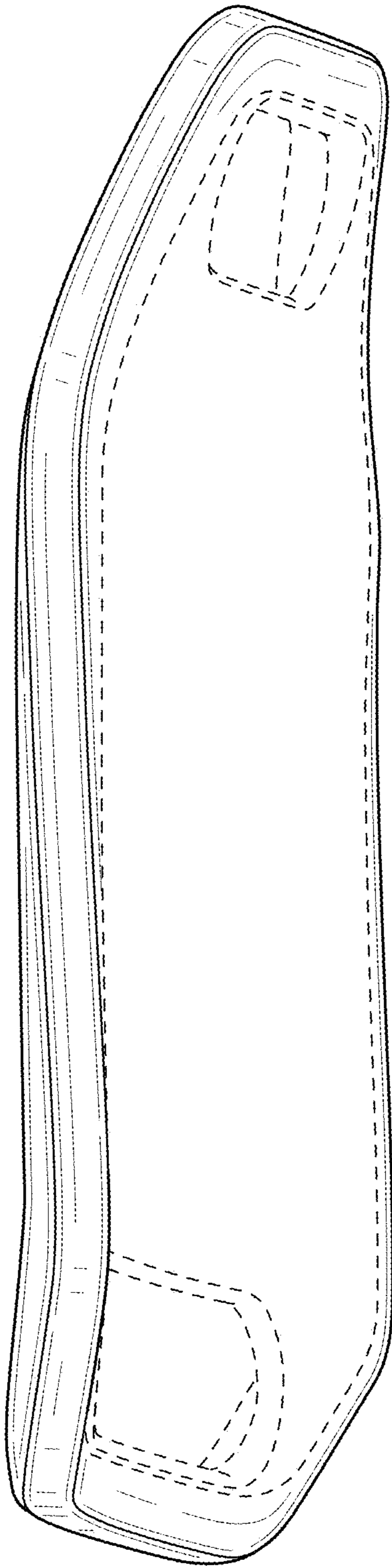


FIG. 1



**FIG. 2**



**FIG. 3**

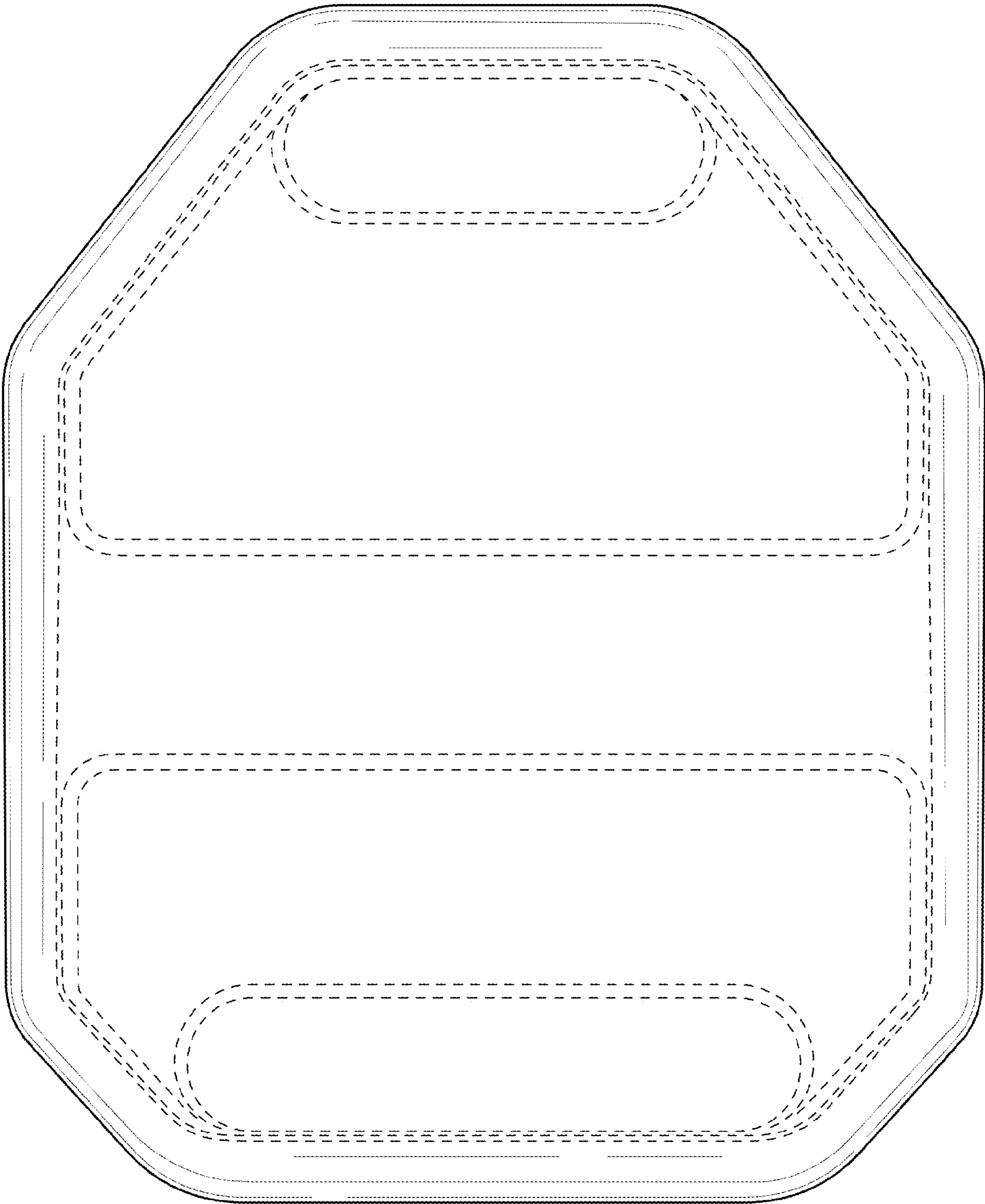


FIG. 4

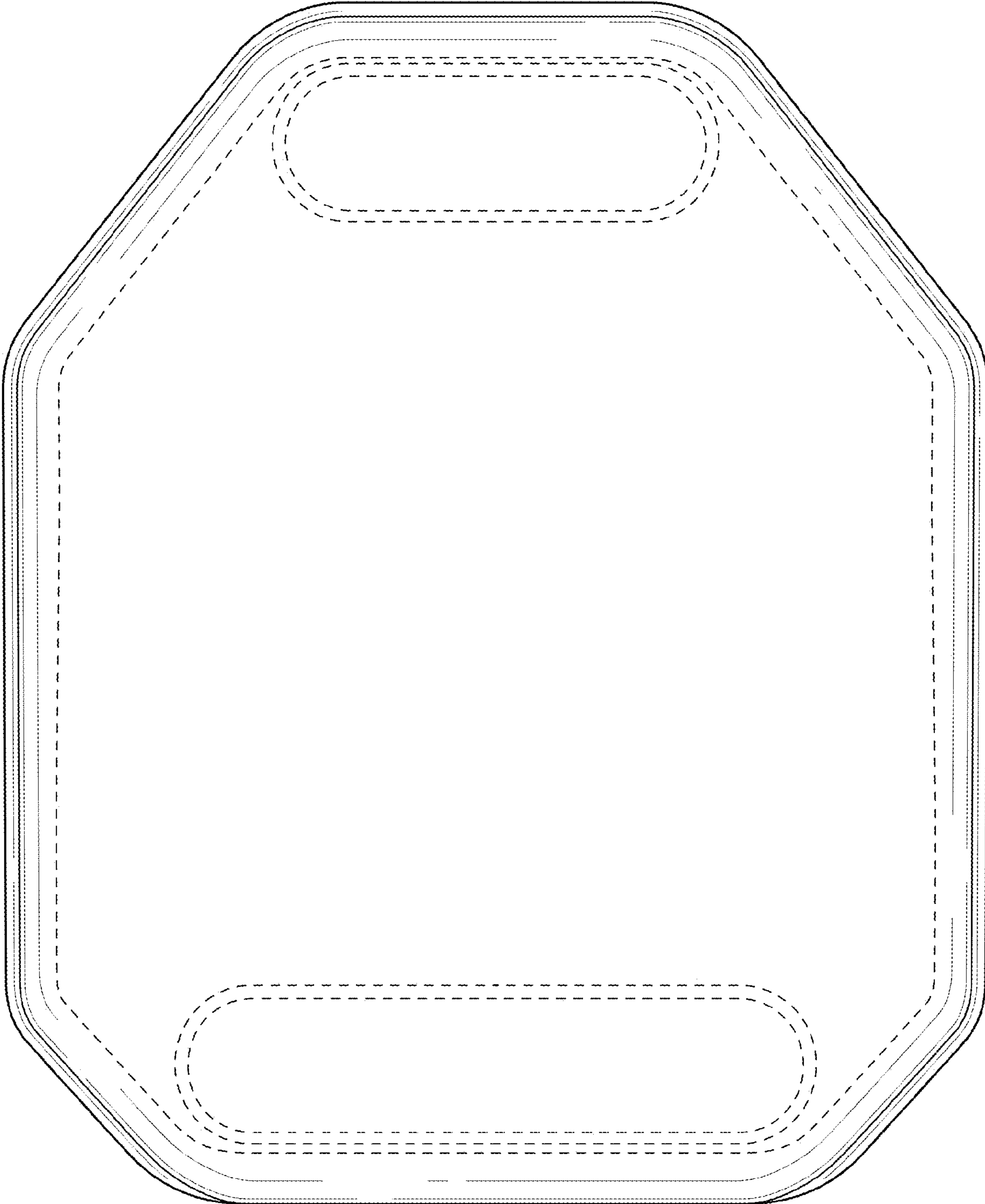


FIG. 5

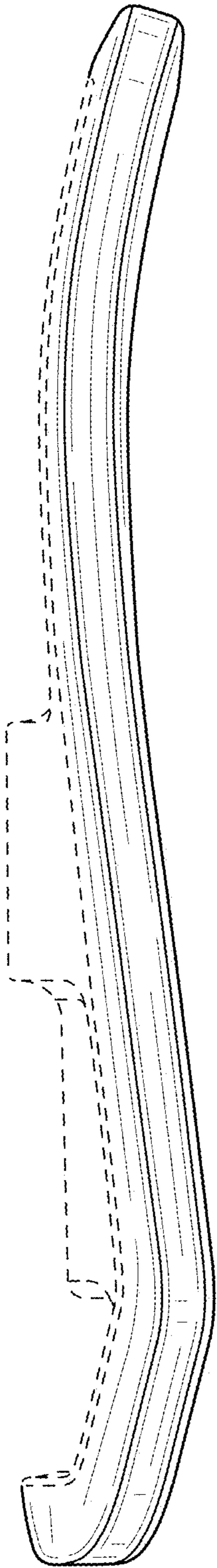


FIG. 6

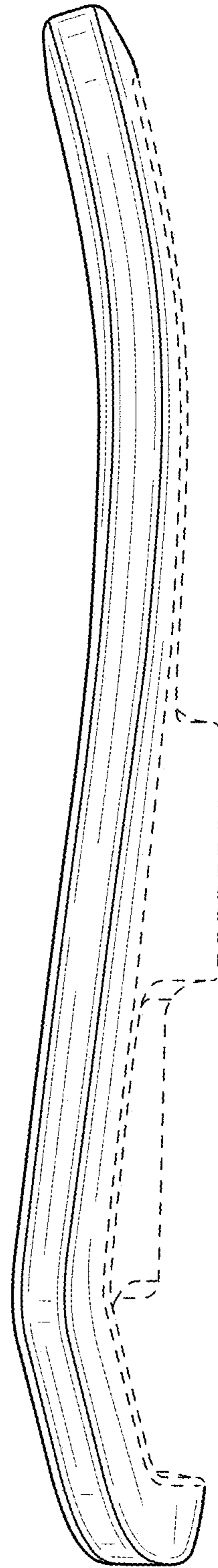


FIG. 7



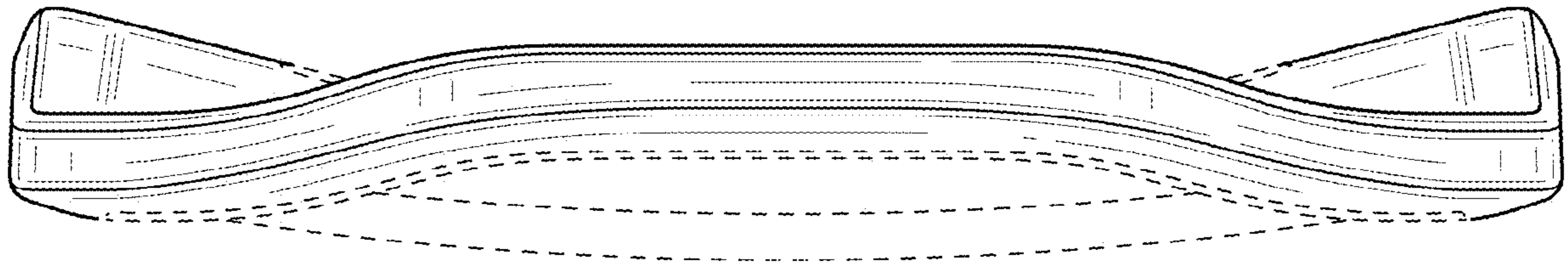


FIG. 8

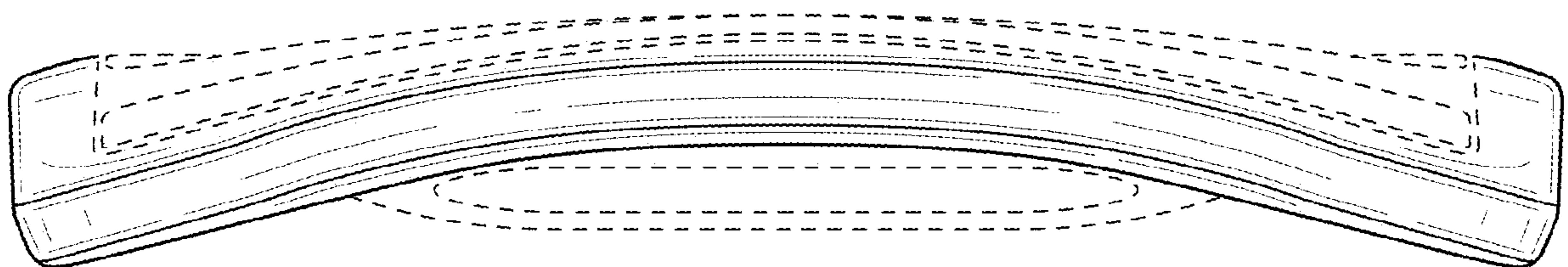


FIG. 9

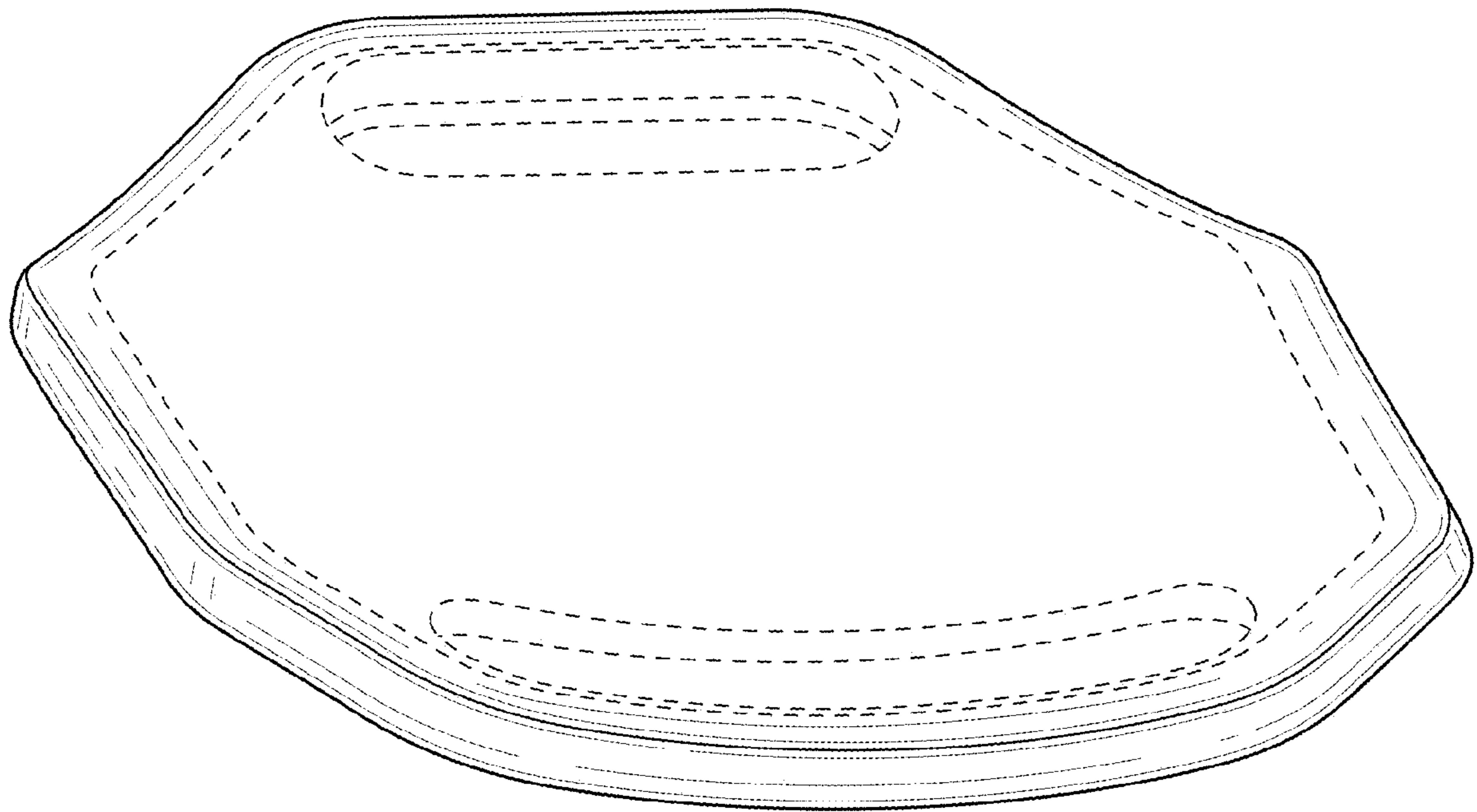


FIG. 10