



US00D961020S

(12) **United States Design Patent**  
**Henniger et al.**

(10) **Patent No.: US D961,020 S**

(45) **Date of Patent: \*\* Aug. 16, 2022**

(54) **WEIGHT PLATE**

(71) Applicant: **Coulter Ventures, LLC.**, Columbus, OH (US)

(72) Inventors: **William Henniger**, Columbus, OH (US); **Ahmik Jones**, Upper Arlington, OH (US); **Nicolas Garcia**, Centerburg, OH (US); **Anahita Ameri**, Columbus, OH (US)

(73) Assignee: **Coulter Ventures, LLC.**, Columbus, OH (US)

(\*\*) Term: **15 Years**

(21) Appl. No.: **29/818,029**

(22) Filed: **Dec. 6, 2021**

**Related U.S. Application Data**

(63) Continuation of application No. 29/744,226, filed on Jul. 28, 2020, now Pat. No. Des. 937,944.

(51) **LOC (13) Cl.** ..... **21-02**

(52) **U.S. Cl.**  
USPC ..... **D21/680**

(58) **Field of Classification Search**  
USPC ..... D21/662, 681, 682, 686, 694, 680, 684, D21/679, 457, 488, 419, 421, 423, 426, D21/760, 765, 766, 769, 771, 776, 803, D21/687, 688, 689, 690, 707, 797, 802, D21/811, 814, 818

See application file for complete search history.

(56) **References Cited**

**U.S. PATENT DOCUMENTS**

D439,290 S \* 3/2001 Rojas ..... D21/680  
D442,654 S \* 5/2001 Buchanan ..... D21/680  
D606,133 S \* 12/2009 Lien ..... D21/681  
D609,526 S \* 2/2010 Tuttle ..... D9/668  
7,828,702 B2 \* 11/2010 Lien ..... A63B 21/0724  
482/106  
D695,128 S \* 12/2013 Ozsinmaz ..... D9/668

D852,637 S \* 7/2019 Becerra ..... D9/504  
2006/0211547 A1 \* 9/2006 Lien ..... A63B 21/0728  
482/93  
2008/0153678 A1 \* 6/2008 McClusky ..... A63B 21/0728  
482/106

**OTHER PUBLICATIONS**

Screen capture of Rogue Elephant Bar Deadlift—Full Live Stream | Arnold Strongman Classic 2020, from <[https://www.youtube.com/watch?v=CuYsT9GeUmc&feature=emb\\_rel\\_pause](https://www.youtube.com/watch?v=CuYsT9GeUmc&feature=emb_rel_pause)>, dated Mar. 7, 2020.

\* cited by examiner

*Primary Examiner* — Khawaja Anwar

*Assistant Examiner* — Julice Seung Eun Oum

(74) *Attorney, Agent, or Firm* — Banner & Witcoff, Ltd.

(57) **CLAIM**

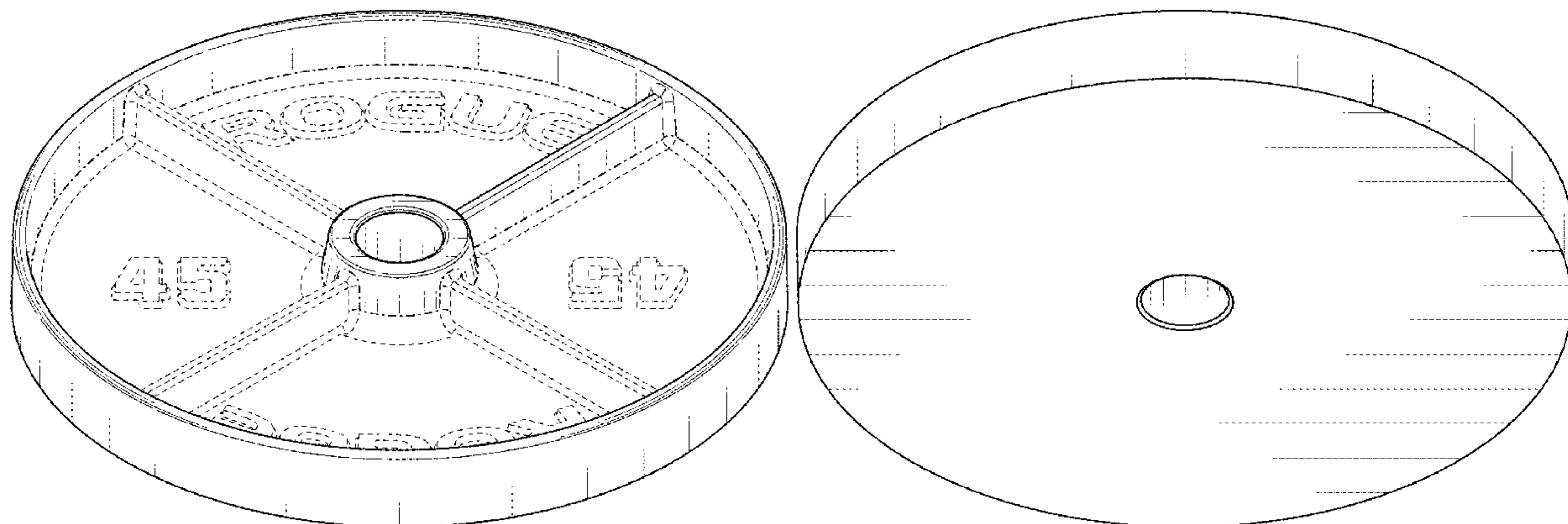
The ornamental design for a weight plate, as shown and described.

**DESCRIPTION**

FIG. 1 is a top, front, perspective view of a weight plate showing our new design;  
FIG. 2 is a bottom, front, perspective view thereof;  
FIG. 3 is a front view thereof;  
FIG. 4 is a rear view thereof;  
FIG. 5 is a right side view thereof;  
FIG. 6 is a left side view thereof;  
FIG. 7 is a top view thereof; and,  
FIG. 8 is a bottom view thereof.

The uneven-length broken lines represent boundaries of the claimed design and form no part thereof. The even-length broken lines depicting the remainder of the weight plate show features that form no part of the claimed design. The even-length broken lines showing lettering form no part of the claimed design.

**1 Claim, 5 Drawing Sheets**



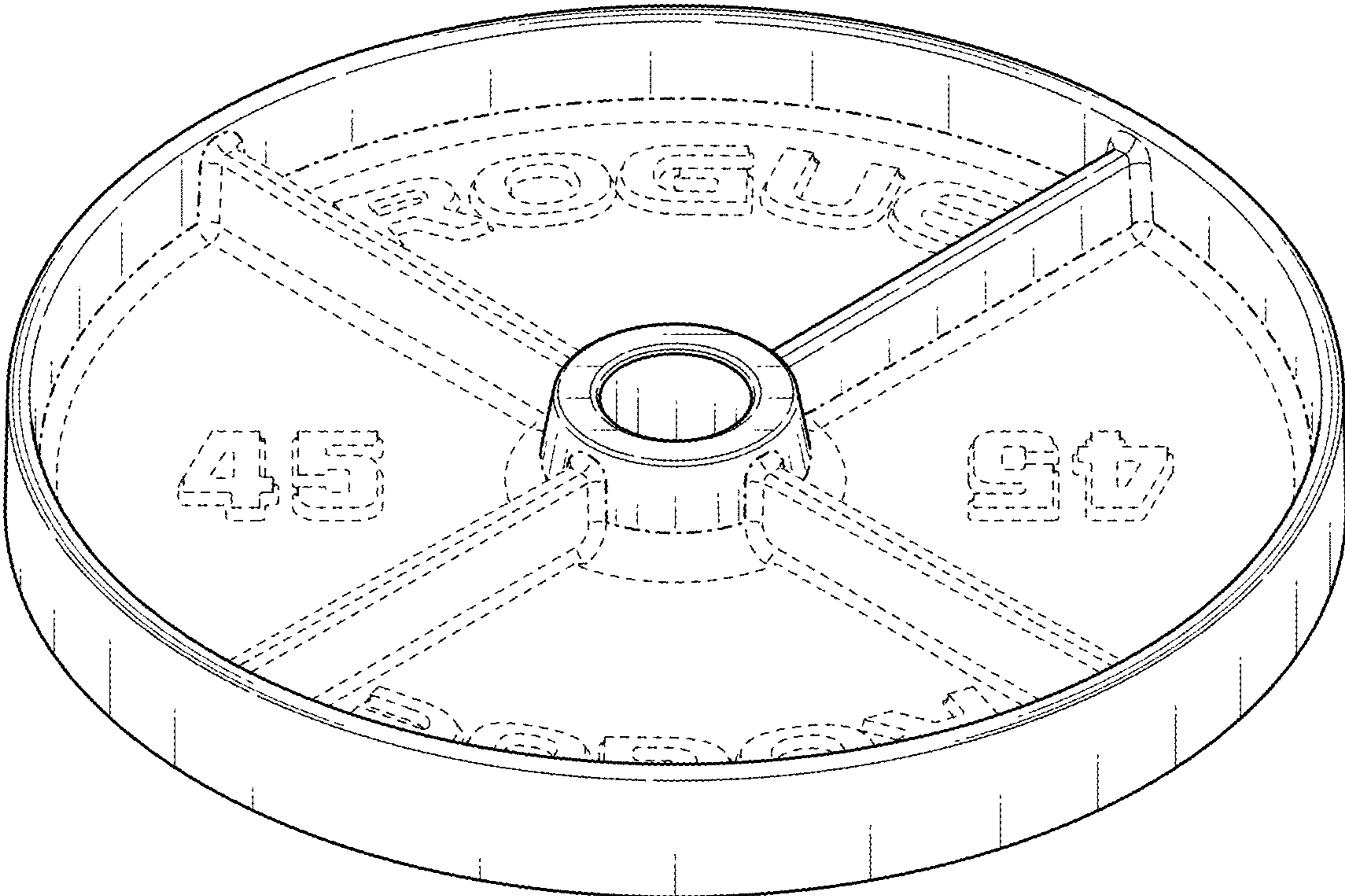


FIG. 1

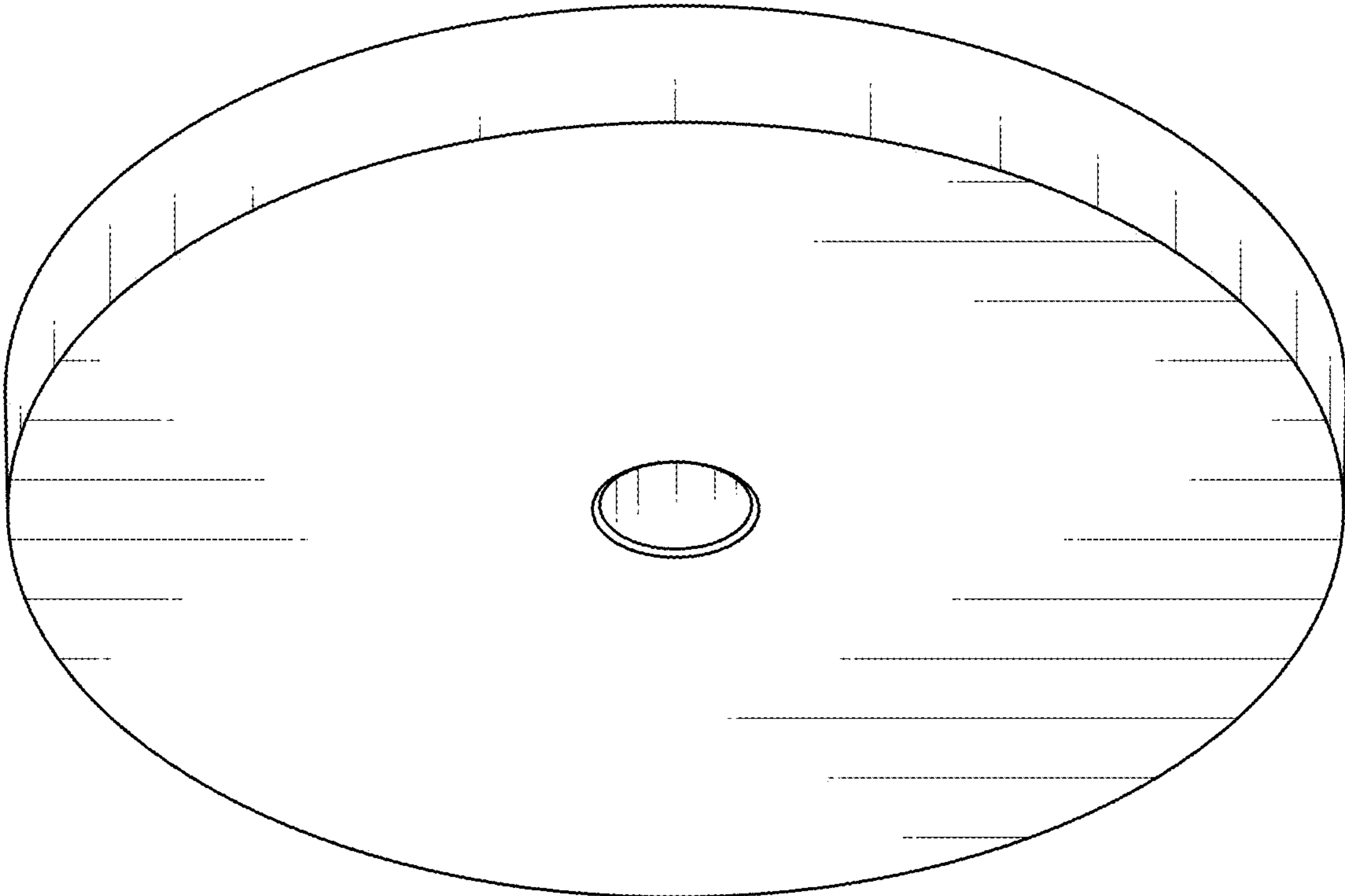


FIG. 2

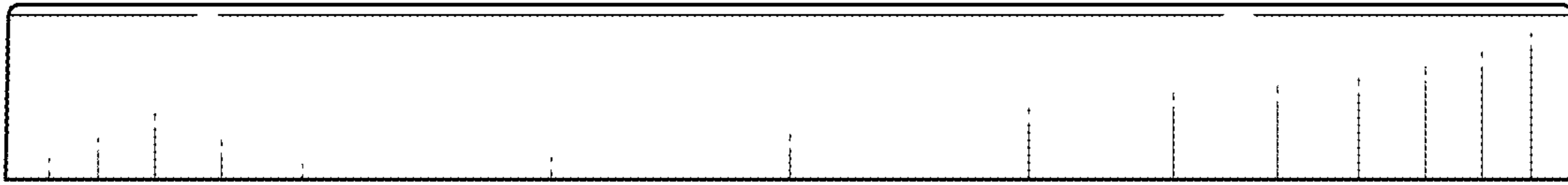


FIG. 3

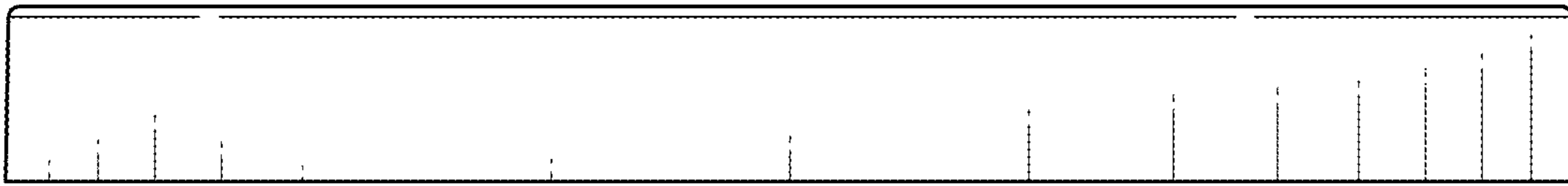


FIG. 4

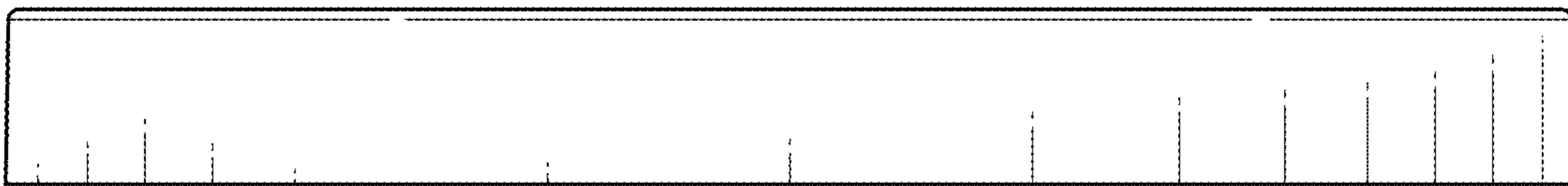


FIG. 5

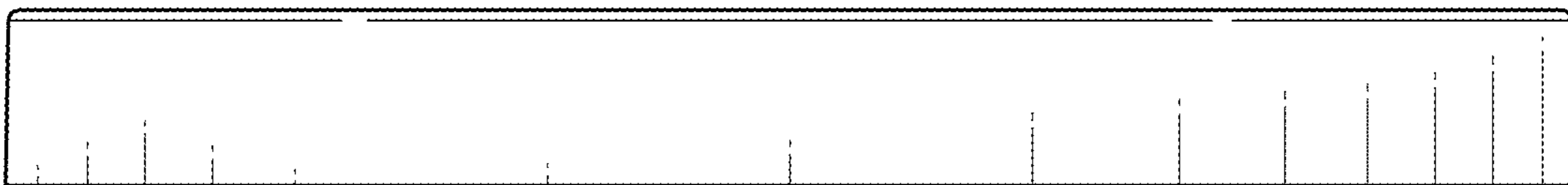


FIG. 6

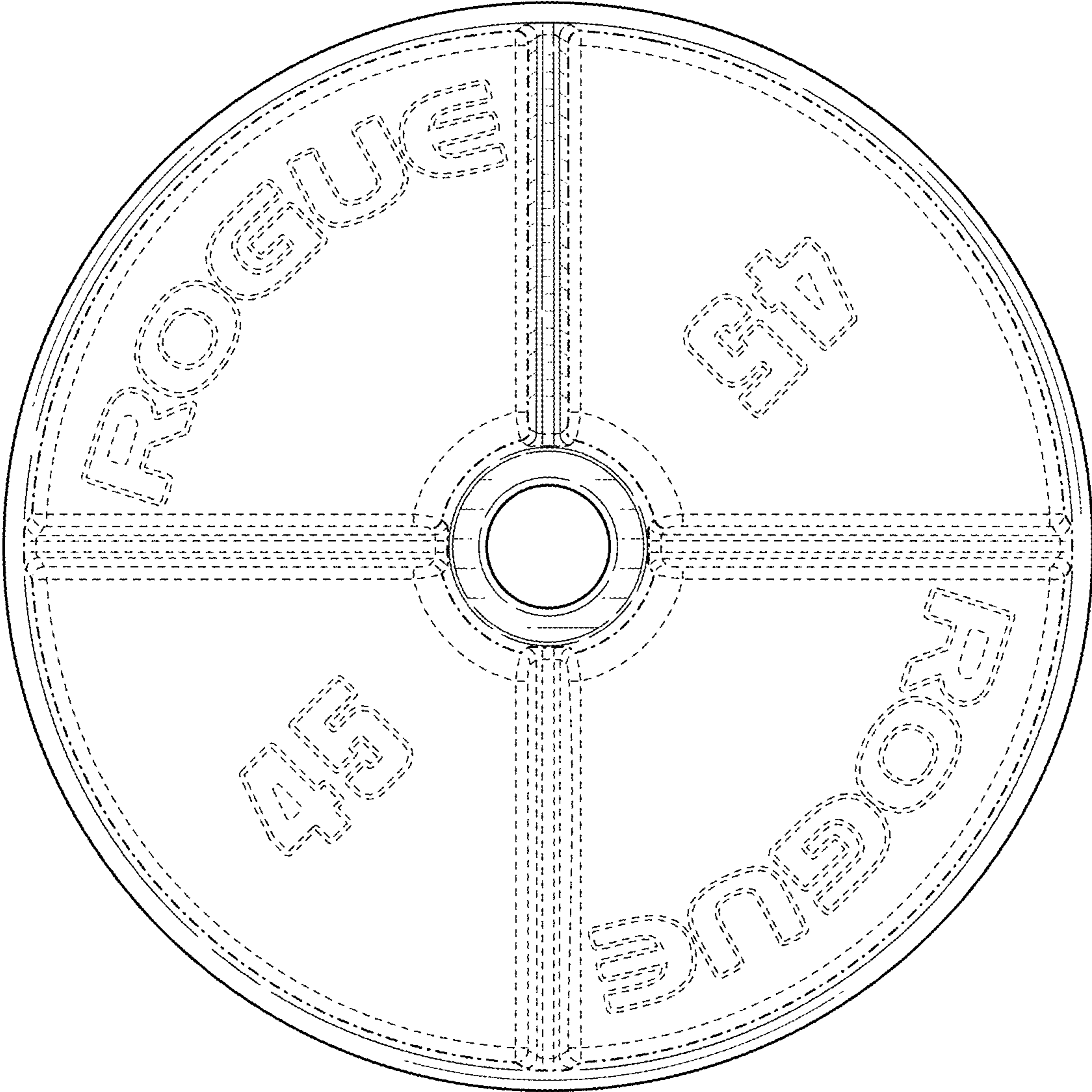


FIG. 7

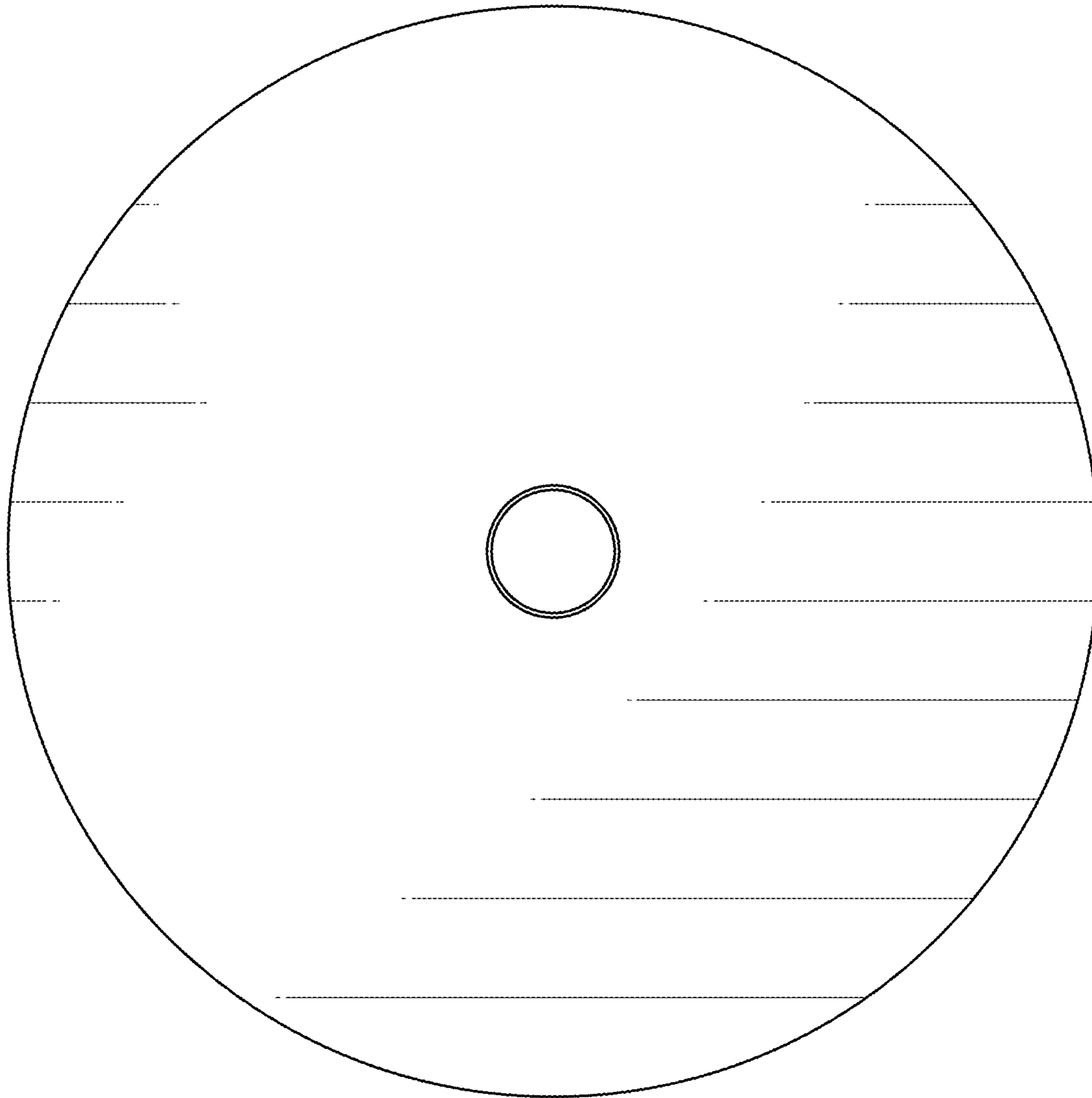


FIG. 8