



US00D961019S

(12) **United States Design Patent** (10) **Patent No.:** **US D961,019 S**
Tian (45) **Date of Patent:** **** Aug. 16, 2022**

(54) **ROWING MACHINE**

FOREIGN PATENT DOCUMENTS

(71) Applicant: **Mo Technologies Co., Ltd.**, Shanghai (CN)

CN 305929458 * 3/2020
CN 306005033 * 4/2020

(72) Inventor: **Wangui Tian**, Shanghai (CN)

OTHER PUBLICATIONS

(73) Assignee: **MO TECHNOLOGIES CO., LTD.**, Shanghai (CN)

Waterrower, announced 2007[online], [site visited Aug. 31, 2021]. Available on internet, URL:https://www.amazon.com/100S4-Waterrower-Rowing-machine-Ash/dp/B0053BMWWU/ref=sr_1_18?dchild=1&keywords=water+rowing+machine&qid=1629989739&sr=8-18 (Year: 2007).*

(**) Term: **15 Years**

First degree, announced 2017[online], [site visited Aug. 31, 2021]. Available on internet, URL:https://www.amazon.com/First-Degree-Fitness-Adjustable-Resistance/dp/B06ZYHP5YJ/ref=sr_1_83?dchild=1&keywords=water+rowing+machine&qid=1629990129&sr=8-83 (Year: 2017).*

(21) Appl. No.: **29/733,873**

(22) Filed: **May 7, 2020**

(30) **Foreign Application Priority Data**

Nov. 21, 2019 (CN) 201930644342.0

* cited by examiner

(51) **LOC (13) Cl.** **21-02**

Primary Examiner — Khawaja Anwar

(52) **U.S. Cl.**
USPC **D21/674**

Assistant Examiner — Julice Seung Eun Oum

(58) **Field of Classification Search**
USPC D21/674, 662, 687, 694, 695, 801, 673
See application file for complete search history.

(74) *Attorney, Agent, or Firm* — IPro, PLLC; Na Xu

(56) **References Cited**

(57) **CLAIM**

The ornamental design for a rowing machine, as shown and described.

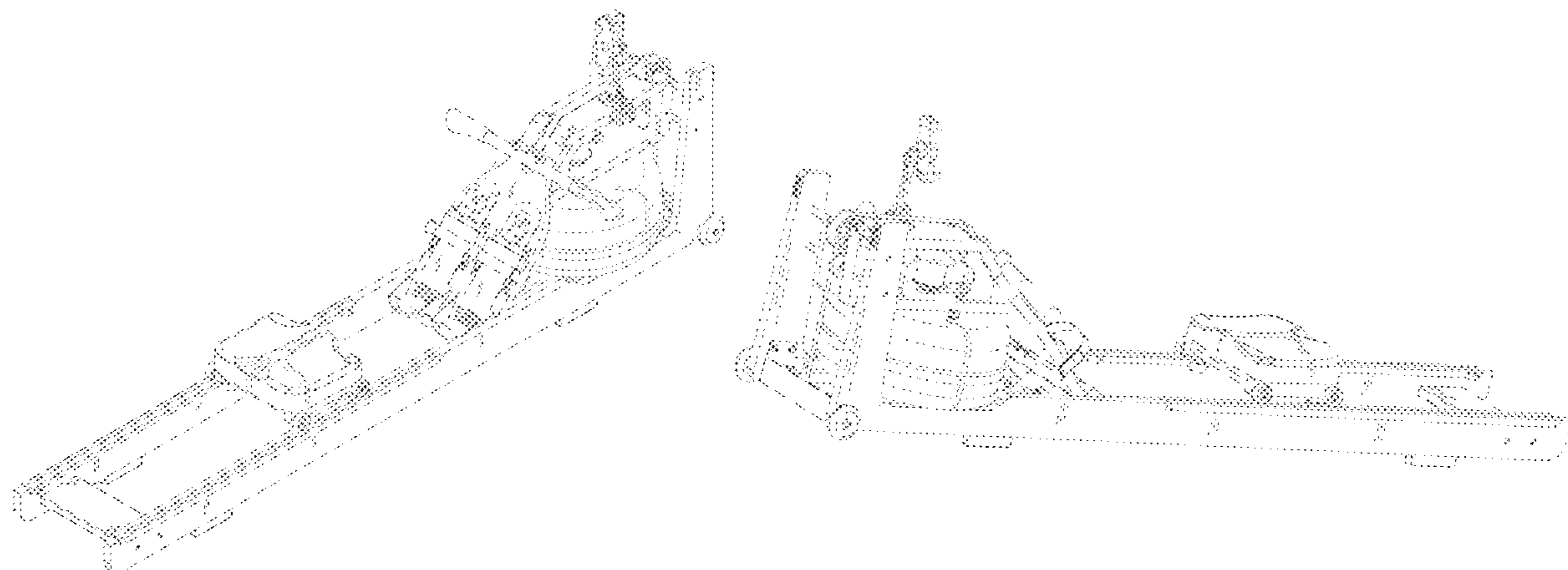
U.S. PATENT DOCUMENTS

DESCRIPTION

5,122,105 A * 6/1992 Engel A63B 22/0076
297/215.11
D705,367 S * 5/2014 Ho D21/687
D921,775 S * 6/2021 Wu D21/674
2007/0197347 A1 * 8/2007 Roach A63B 22/0076
482/72
2017/0209729 A1 * 7/2017 King A63B 21/4045
2018/0056118 A1 * 3/2018 Bates A63B 69/06
2019/0118021 A1 * 4/2019 Liu A63B 21/0084
2020/0222762 A1 * 7/2020 King A63B 21/0084
2020/0384305 A1 * 12/2020 Hsieh A63B 21/0084
2021/0244996 A1 * 8/2021 Gearon A63B 22/0076

FIG. 1 is a perspective view of a rowing machine embodying the new design;
FIG. 2 is another perspective view thereof;
FIG. 3 is a front view thereof;
FIG. 4 is a back view thereof;
FIG. 5 is a left side view thereof;
FIG. 6 is a right side view thereof;
FIG. 7 is a top view thereof; and,
FIG. 8 is a bottom view thereof.

1 Claim, 8 Drawing Sheets



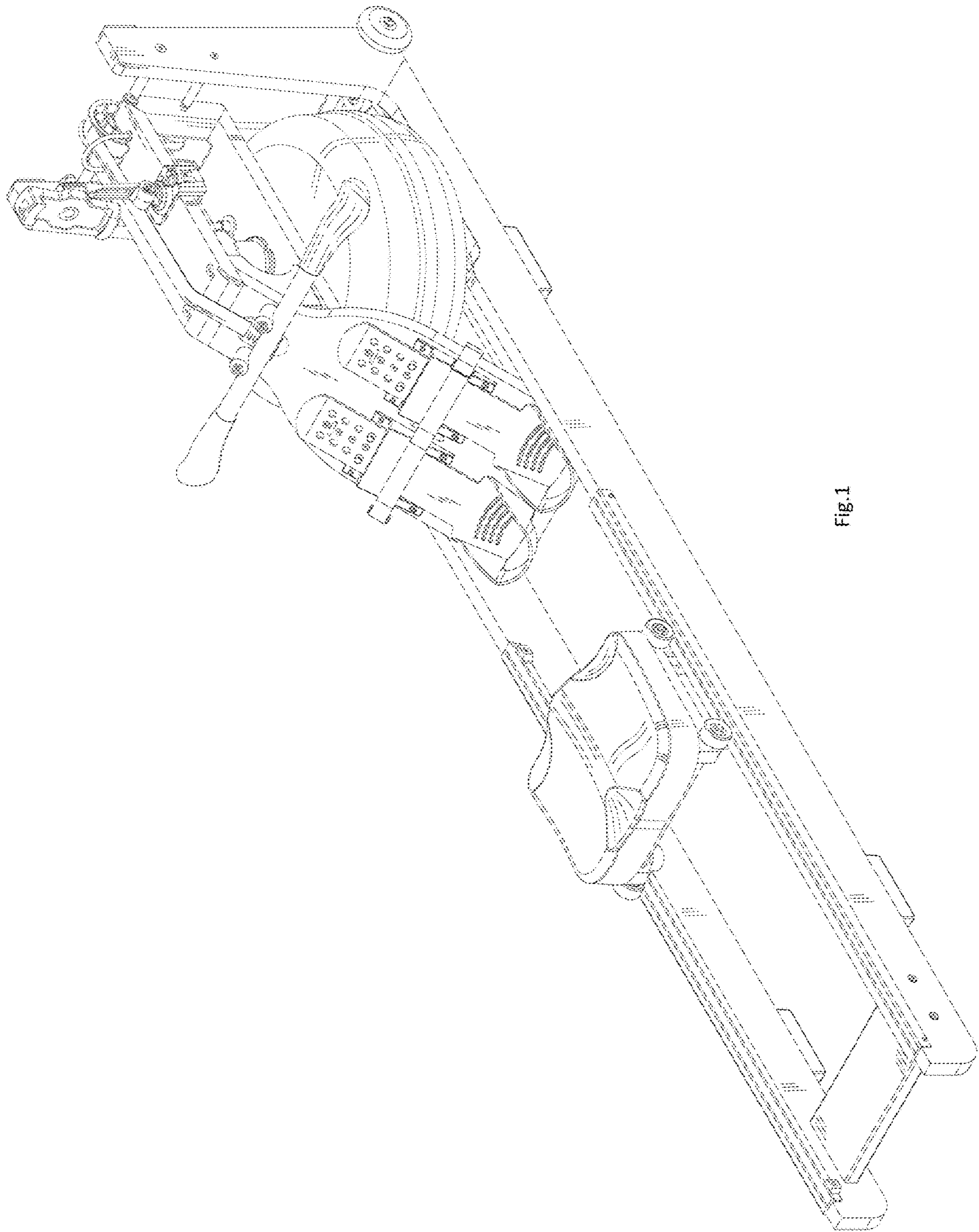


FIG. 1

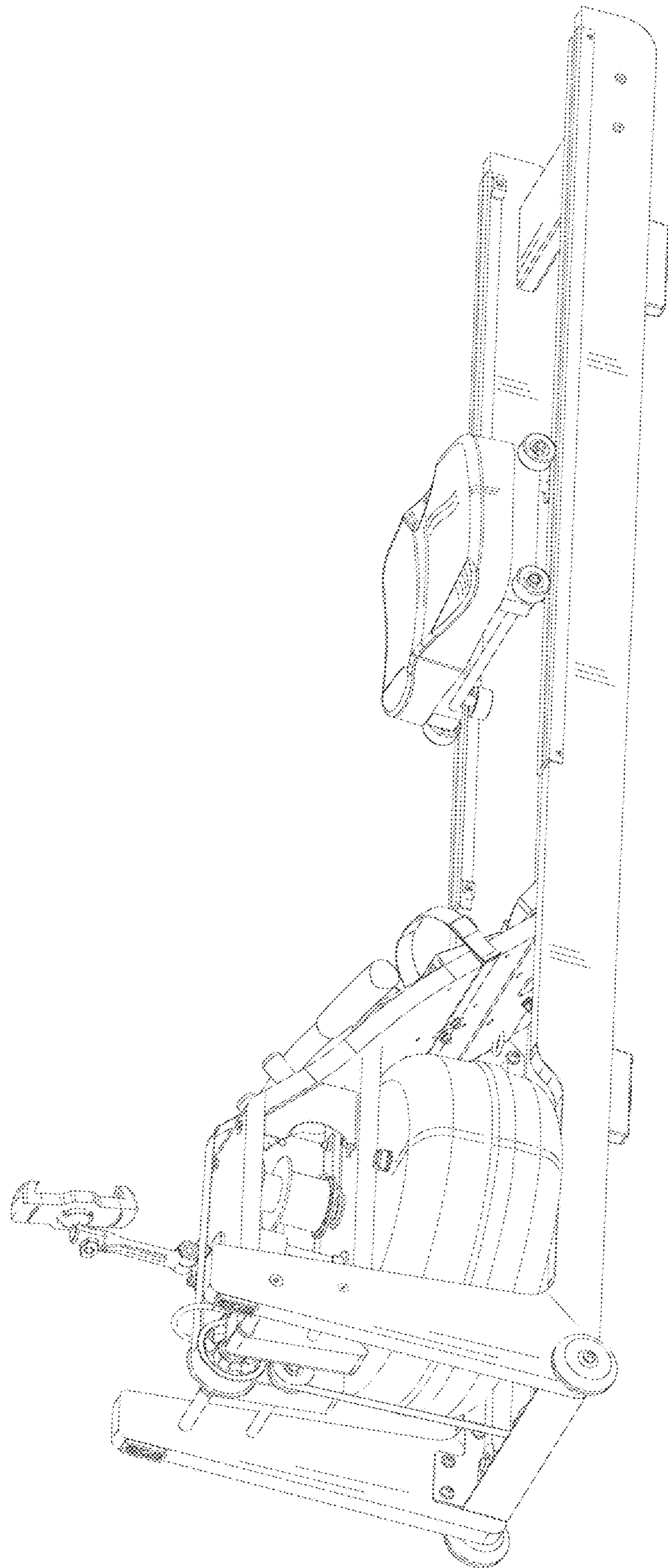


FIG. 2

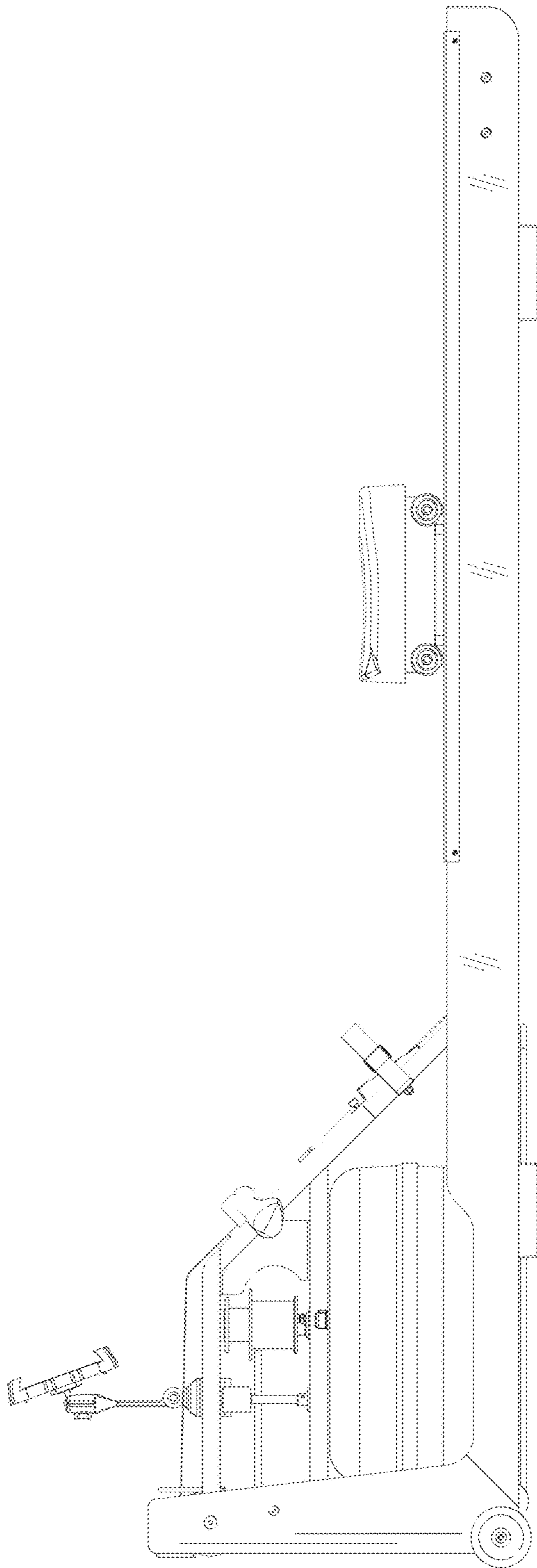


Fig. 3

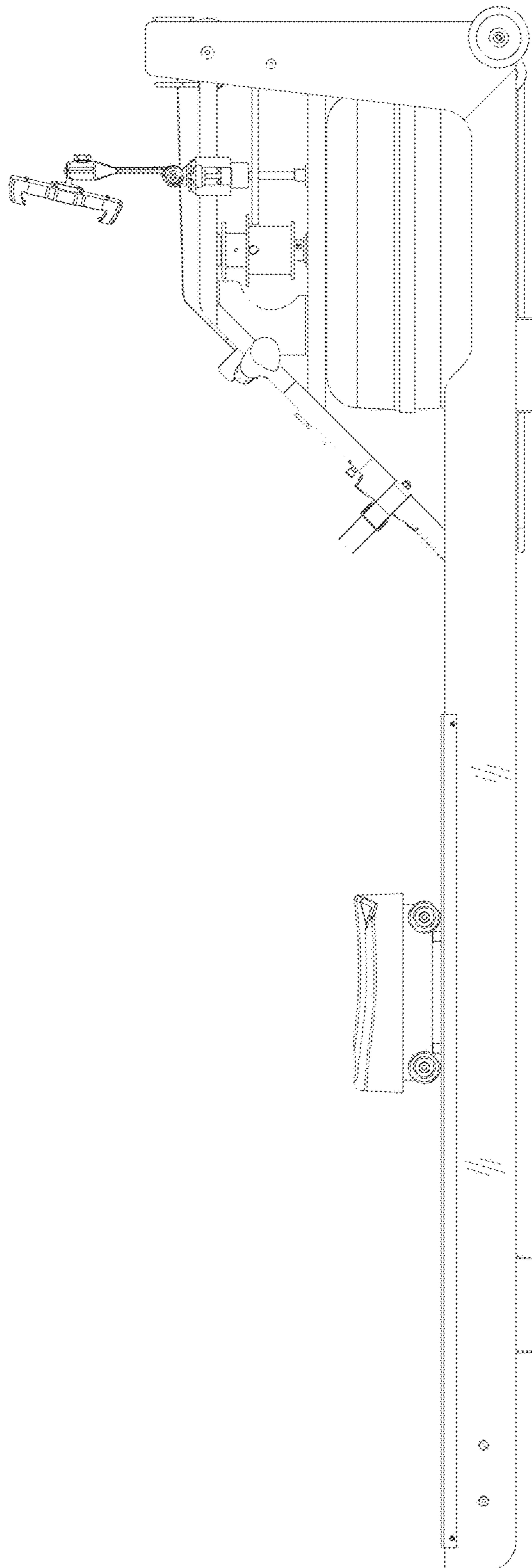


Fig. 4

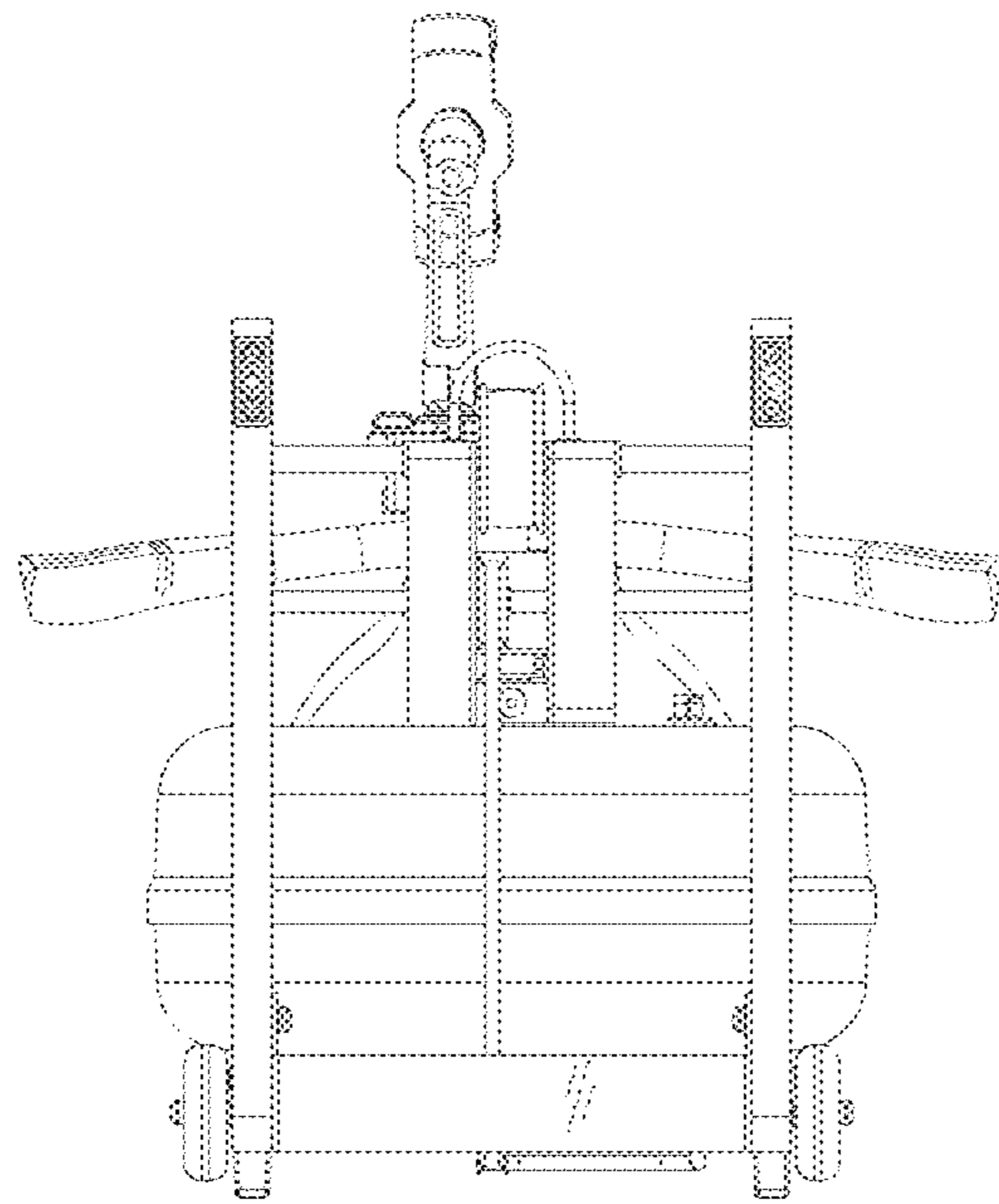


Fig.5

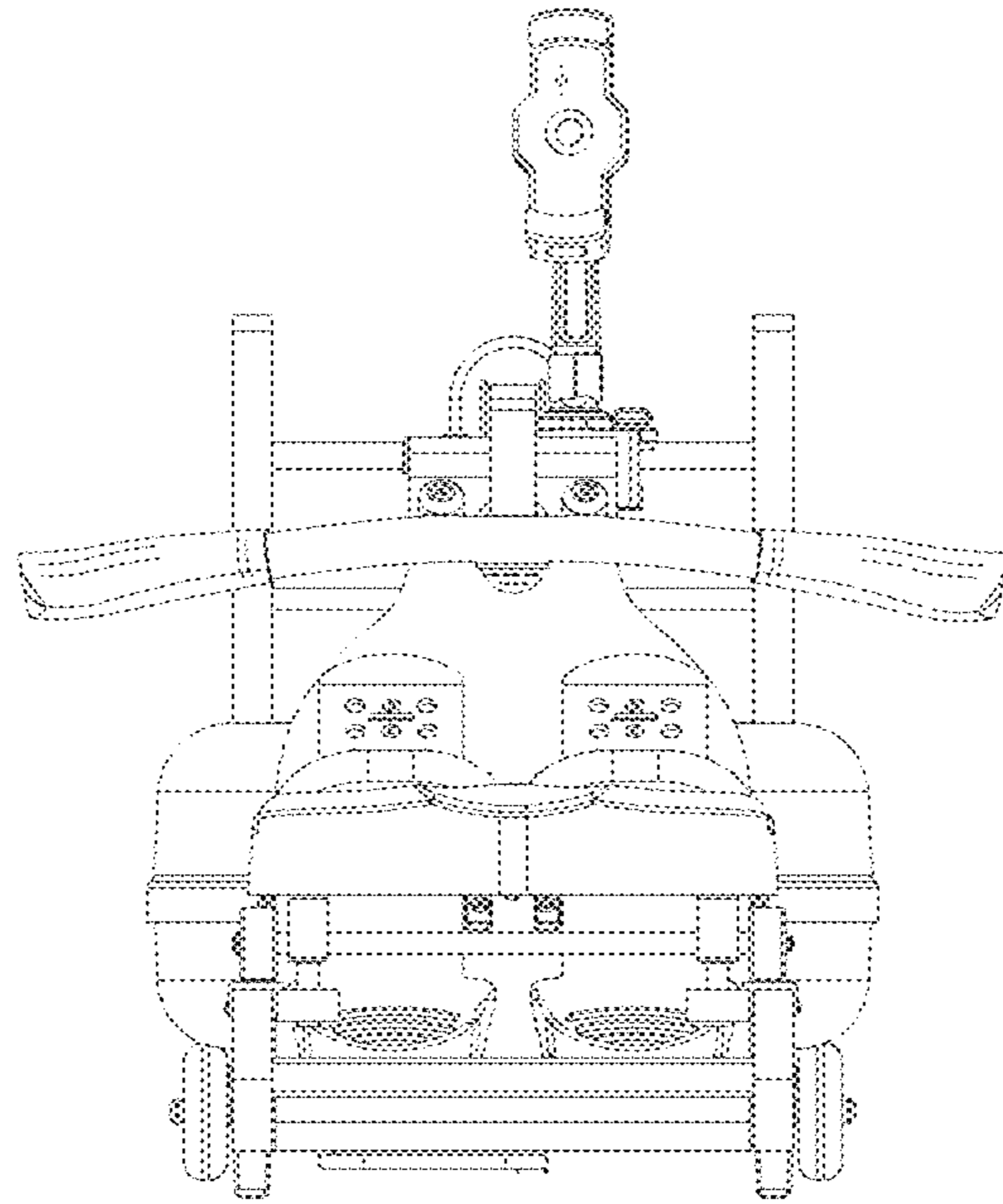


Fig.6

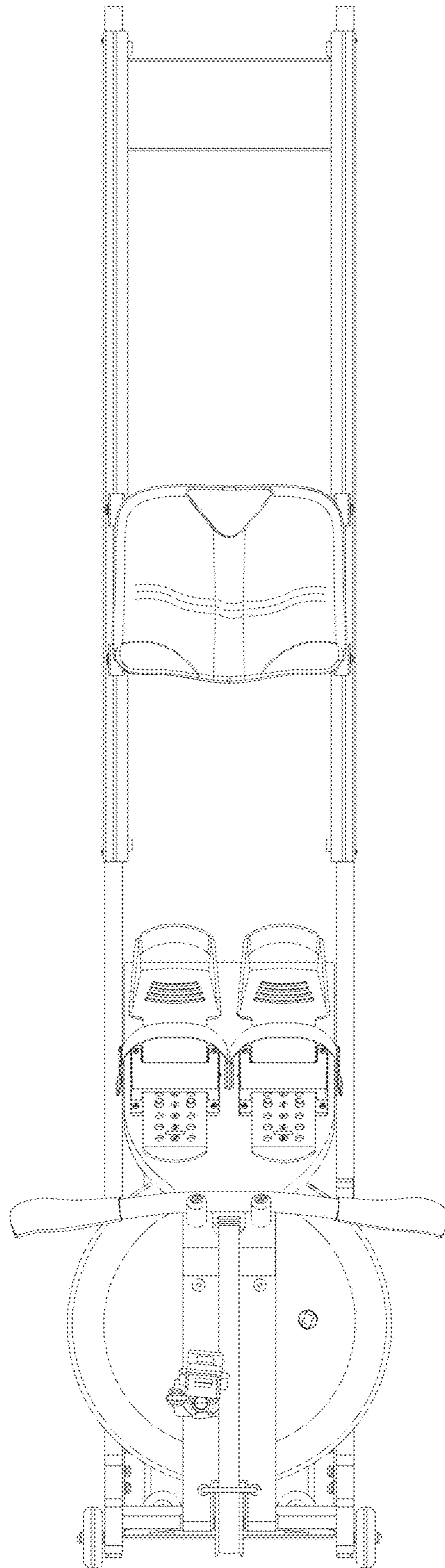


Fig. 7

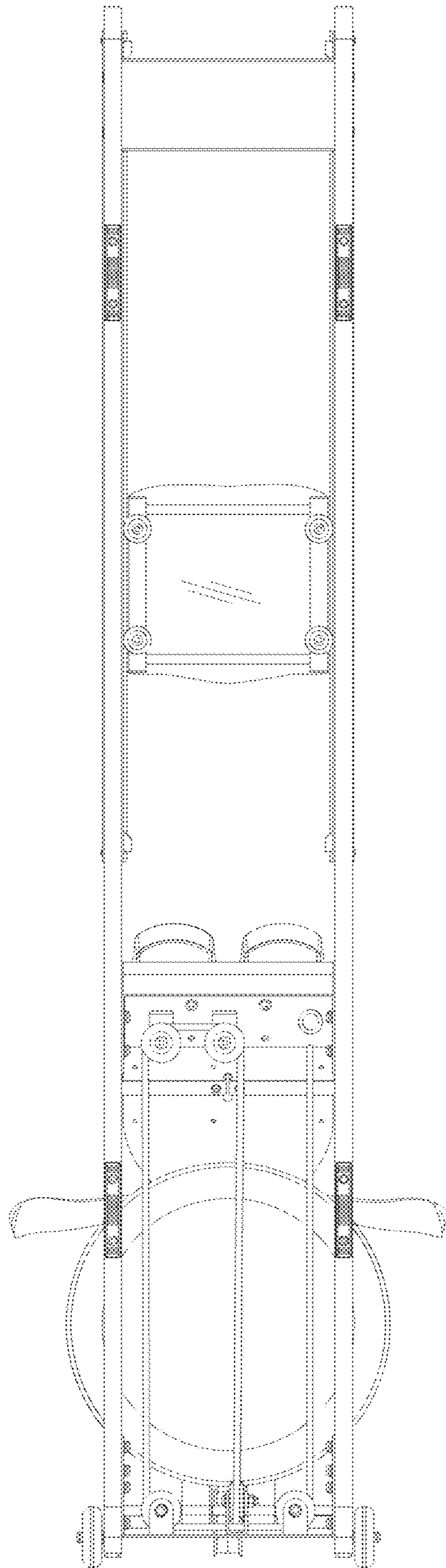


Fig. 8