

US00D961017S

(12) **United States Design Patent**
Tian

(10) **Patent No.:** **US D961,017 S**
(45) **Date of Patent:** **** Aug. 16, 2022**

(54) **TREADMILL**

(71) Applicant: **Mo Technologies Co., Ltd.**, Shanghai (CN)

(72) Inventor: **Wangui Tian**, Shanghai (CN)

(73) Assignee: **MO TECHNOLOGIES CO., LTD.**, Shanghai (CN)

(**) Term: **15 Years**

(21) Appl. No.: **29/730,235**

(22) Filed: **Apr. 2, 2020**

(30) **Foreign Application Priority Data**

Oct. 17, 2019 (CN) 201930565603.X

(51) **LOC (13) Cl.** **21-02**

(52) **U.S. Cl.**
USPC **D21/669**

(58) **Field of Classification Search**
USPC D21/668, 669, 671, 670, 800, 694
See application file for complete search history.

(56) **References Cited**

U.S. PATENT DOCUMENTS

- D304,850 S * 11/1989 Chambers D21/797
- D315,765 S * 3/1991 Measom D21/669
- D361,807 S * 8/1995 Bartlett D21/669
- D412,953 S * 8/1999 Armstrong D21/694

- D421,779 S * 3/2000 Piaget D21/669
- 7,192,388 B2 * 3/2007 Dalebout A63B 22/02
482/51
- 2018/0001134 A1 * 1/2018 Bayerlein A63B 22/02

OTHER PUBLICATIONS

Woodway, announced 2016[online], [site visited Aug. 26, 2021]. Available on internet, URL:https://www.youtube.com/watch?v=WcWnGCZ_GOA (Year: 2016).*

* cited by examiner

Primary Examiner — Khawaja Anwar
Assistant Examiner — Julice Seung Eun Oum
(74) *Attorney, Agent, or Firm* — IPro, PLLC; Na Xu

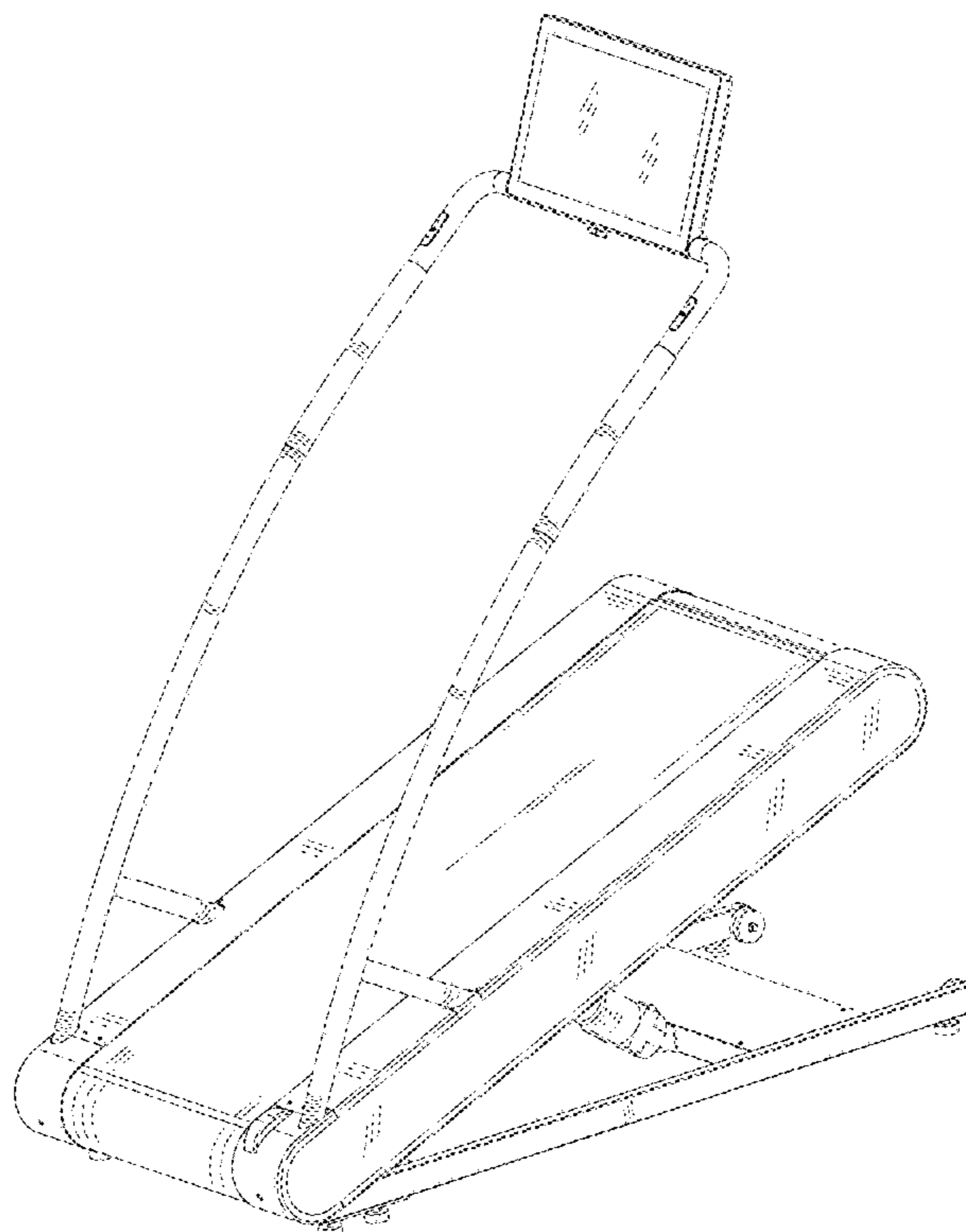
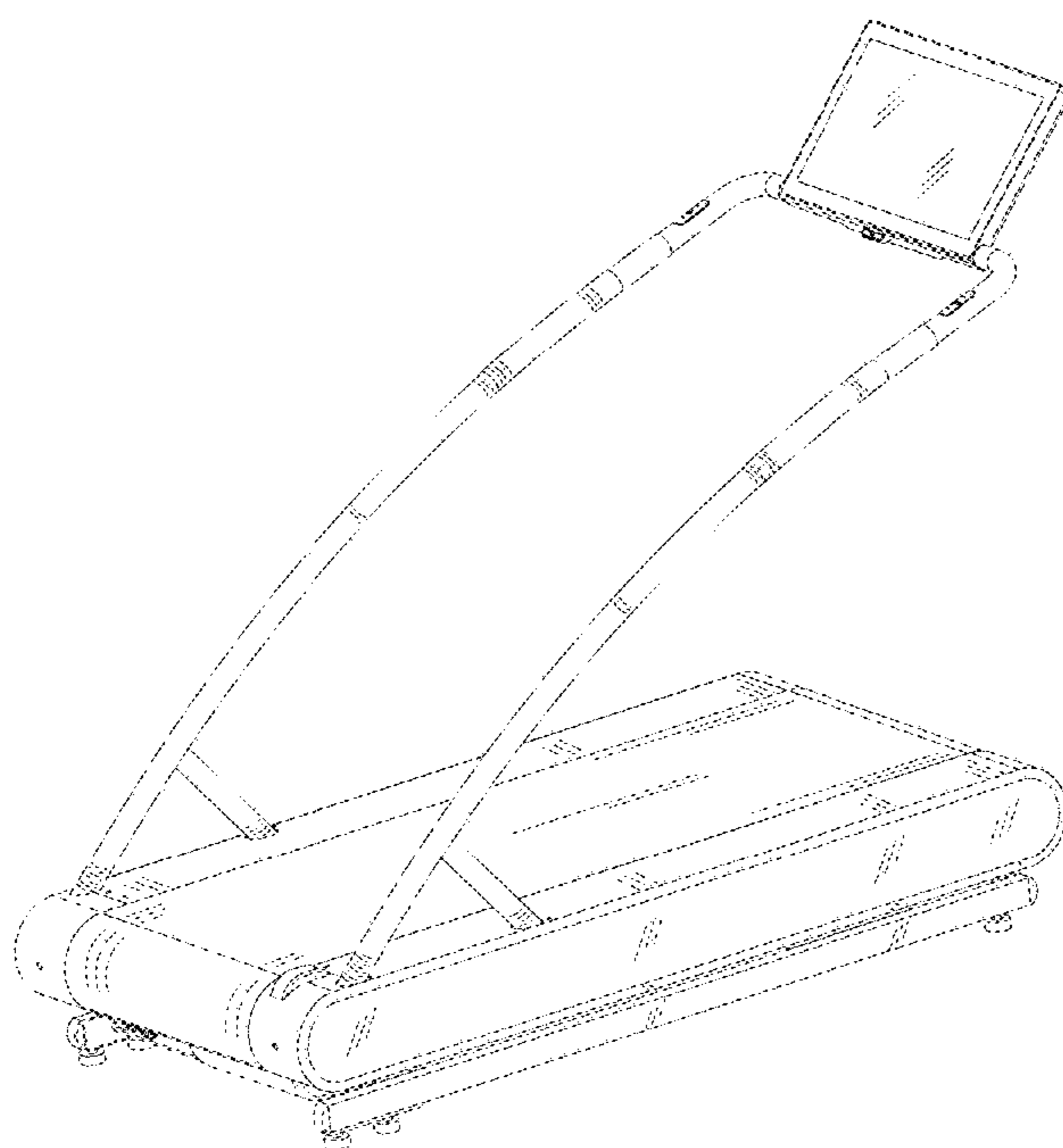
(57) **CLAIM**

The ornamental design for a treadmill, as shown and described.

DESCRIPTION

FIG. 1 is a perspective view of a treadmill embodying the new design;
FIG. 2 is a front view thereof;
FIG. 3 is a back view thereof;
FIG. 4 is a left side view thereof;
FIG. 5 is a right side view thereof;
FIG. 6 is a top view thereof;
FIG. 7 is a bottom view thereof; and,
FIG. 8 and FIG.9 are perspective views thereof showing alternate position.
The broken lines in the figures illustrate the portions of the treadmill that form no part of the claimed design.

1 Claim, 9 Drawing Sheets



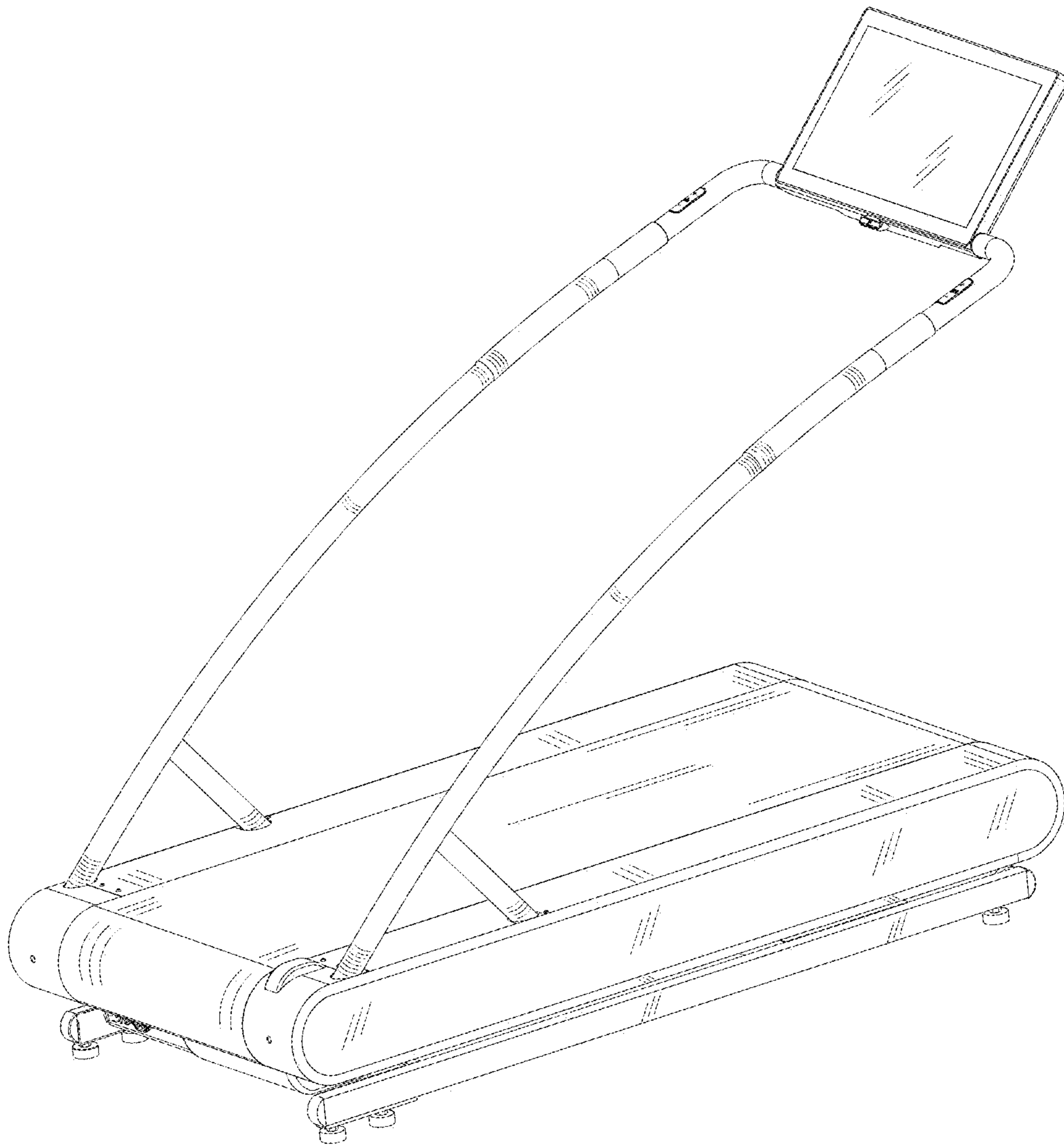


Fig.1

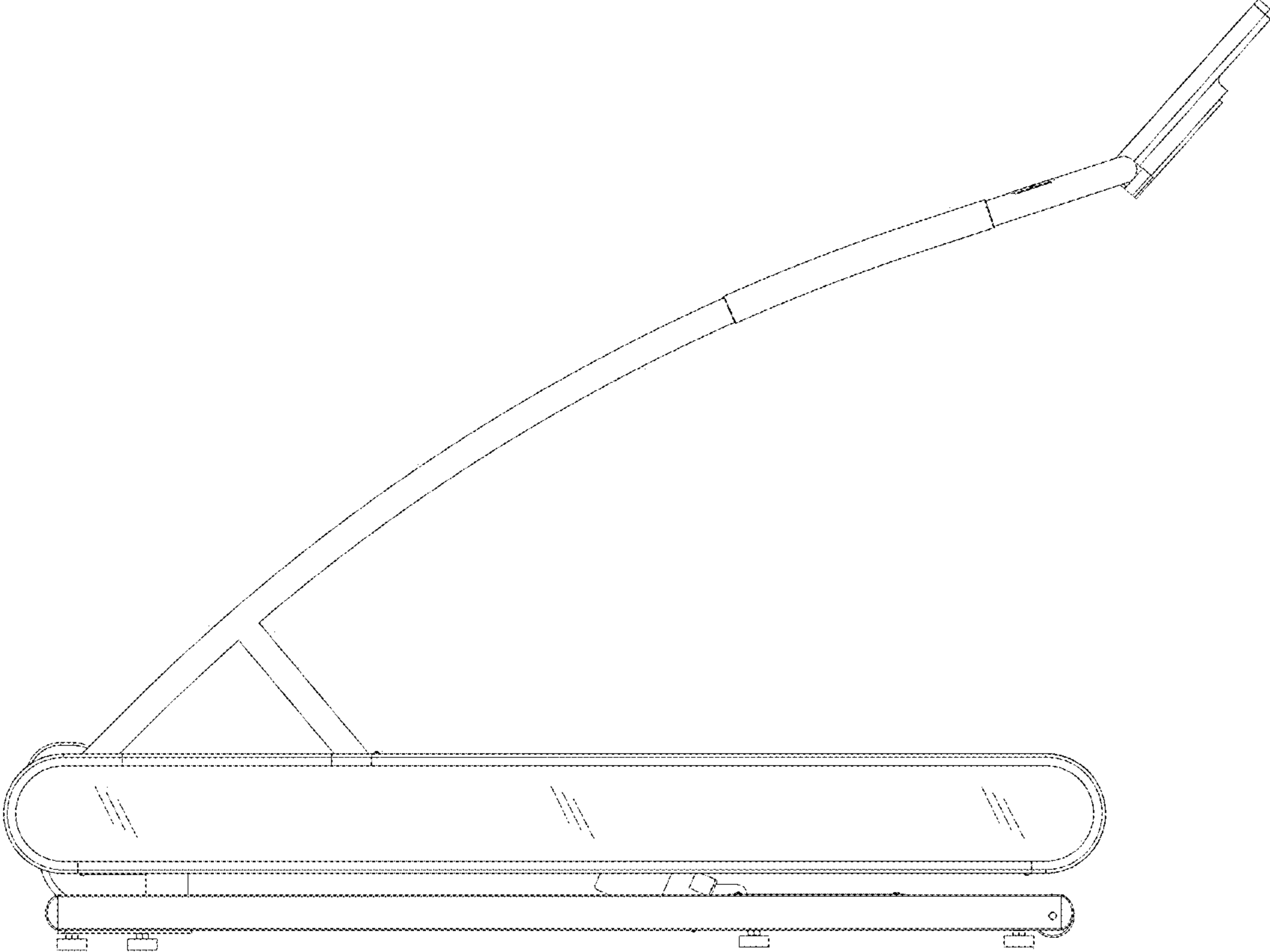


Fig.2

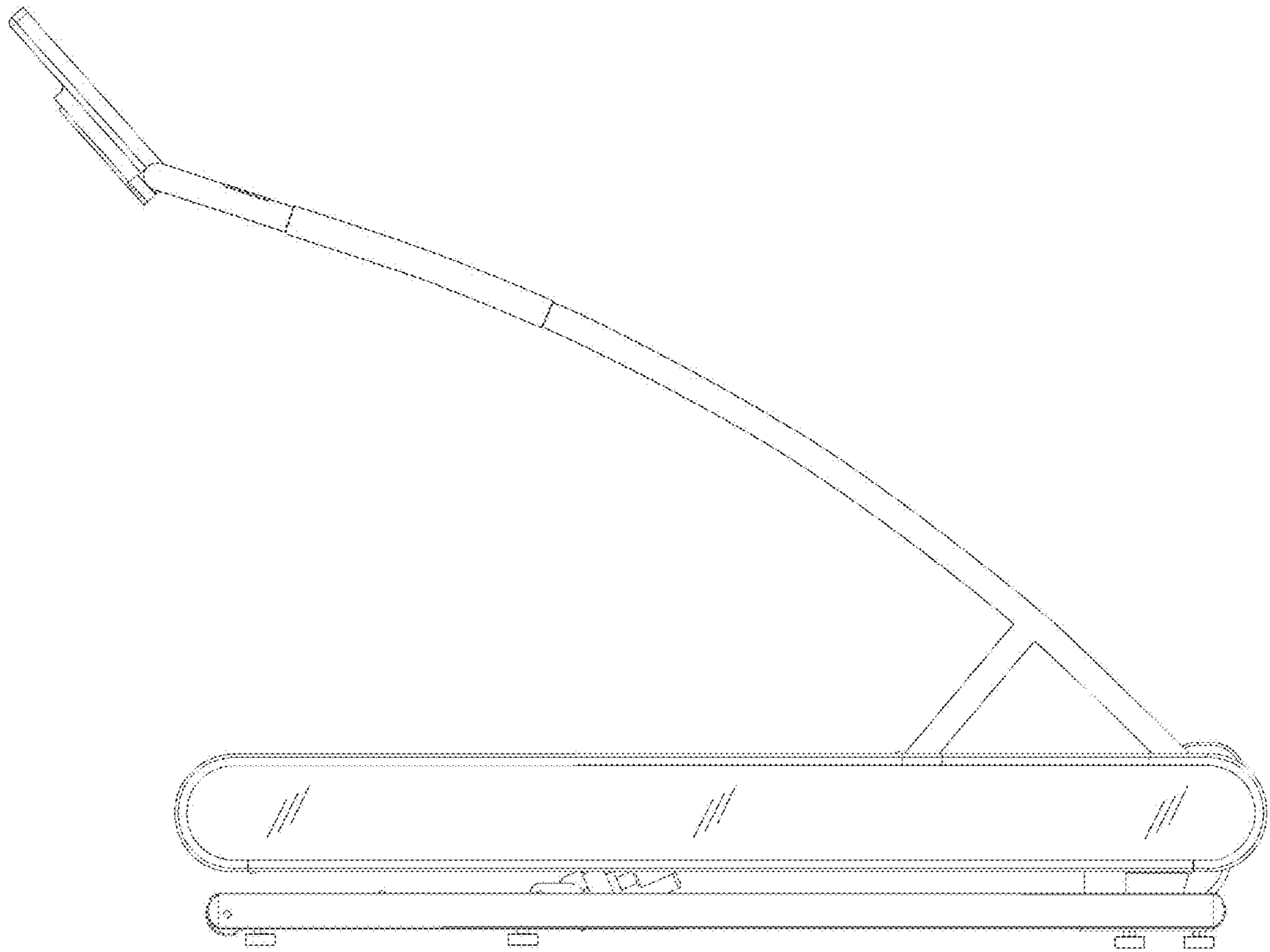


Fig.3

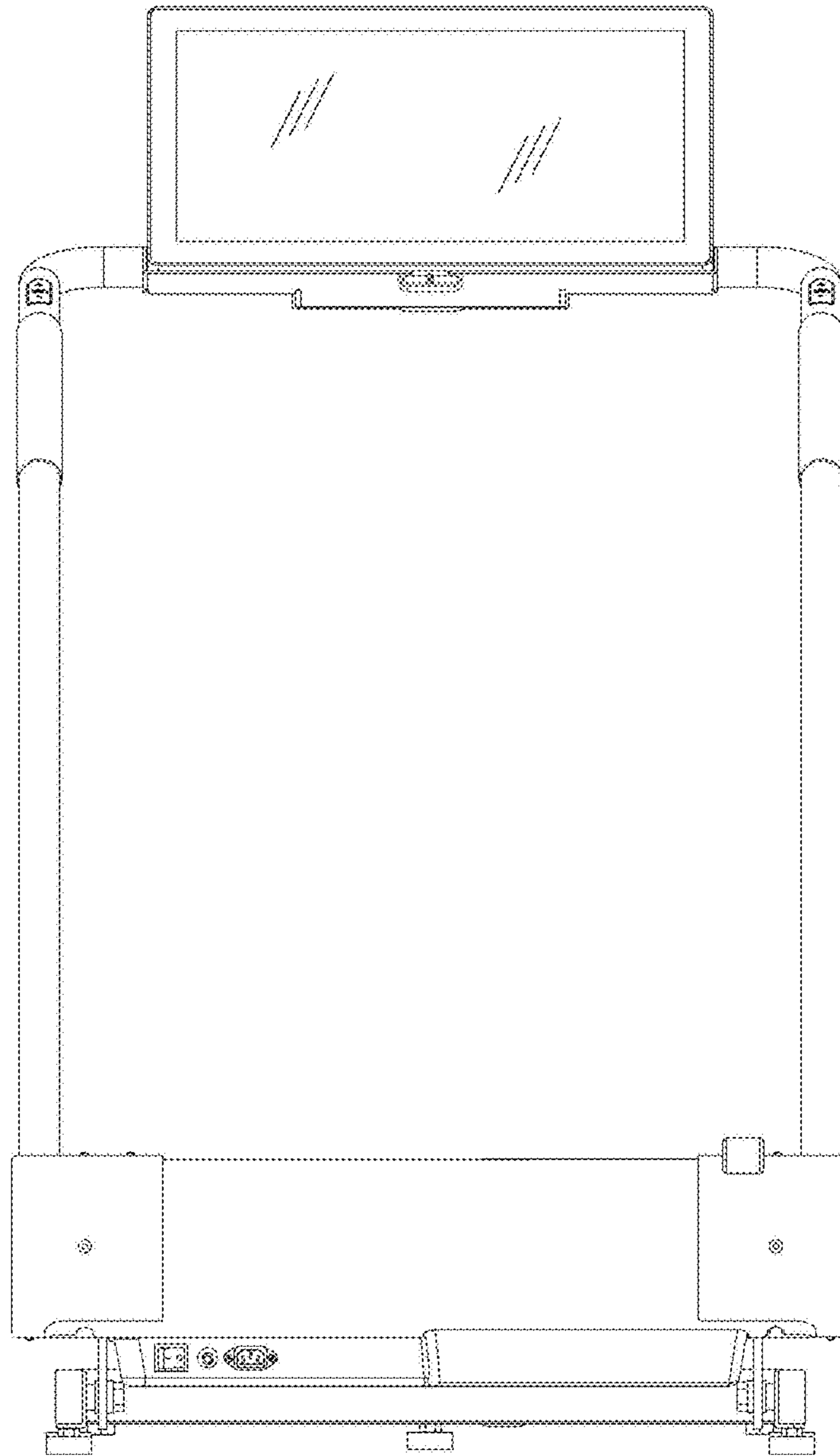


Fig.4

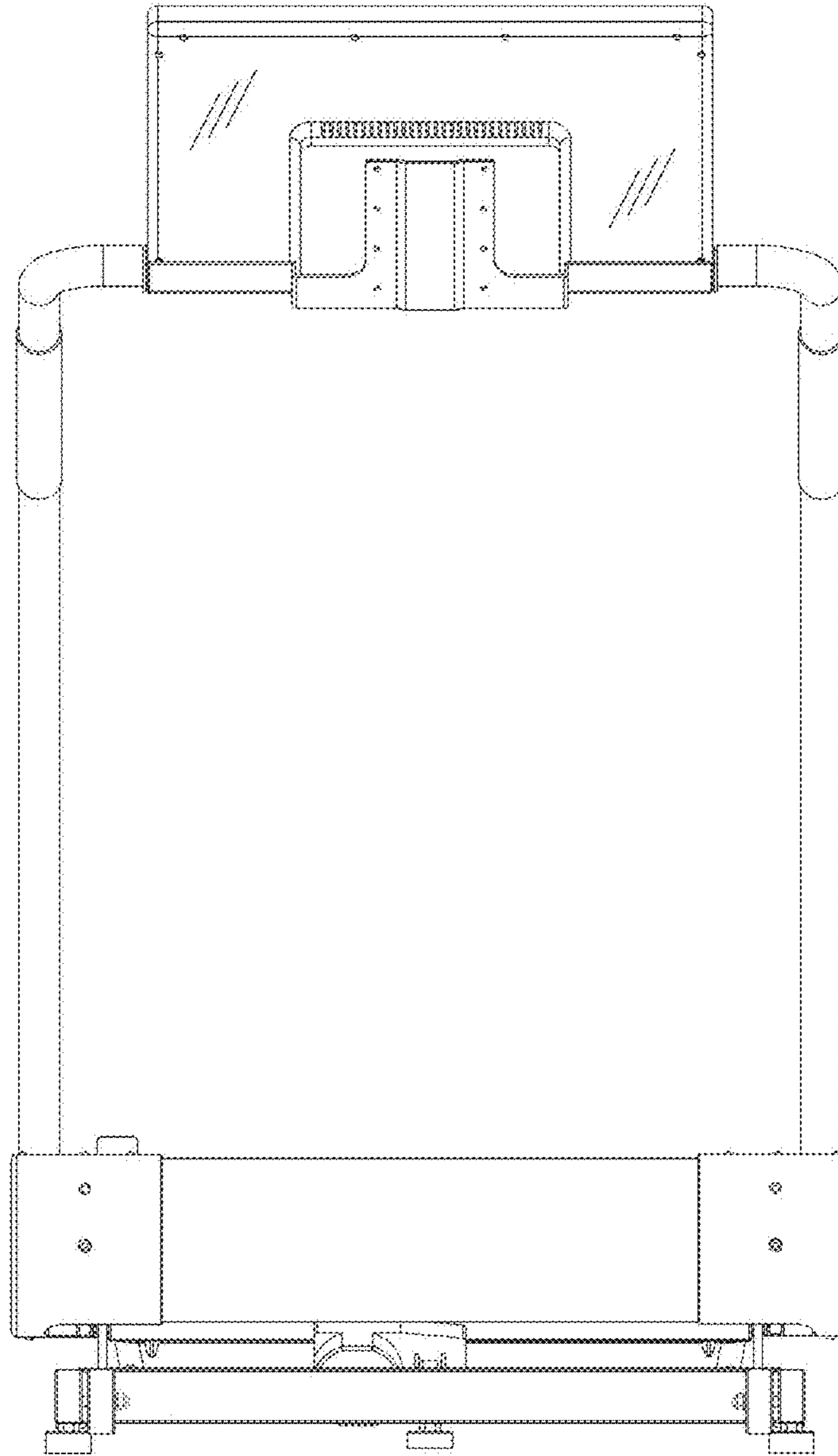


Fig.5

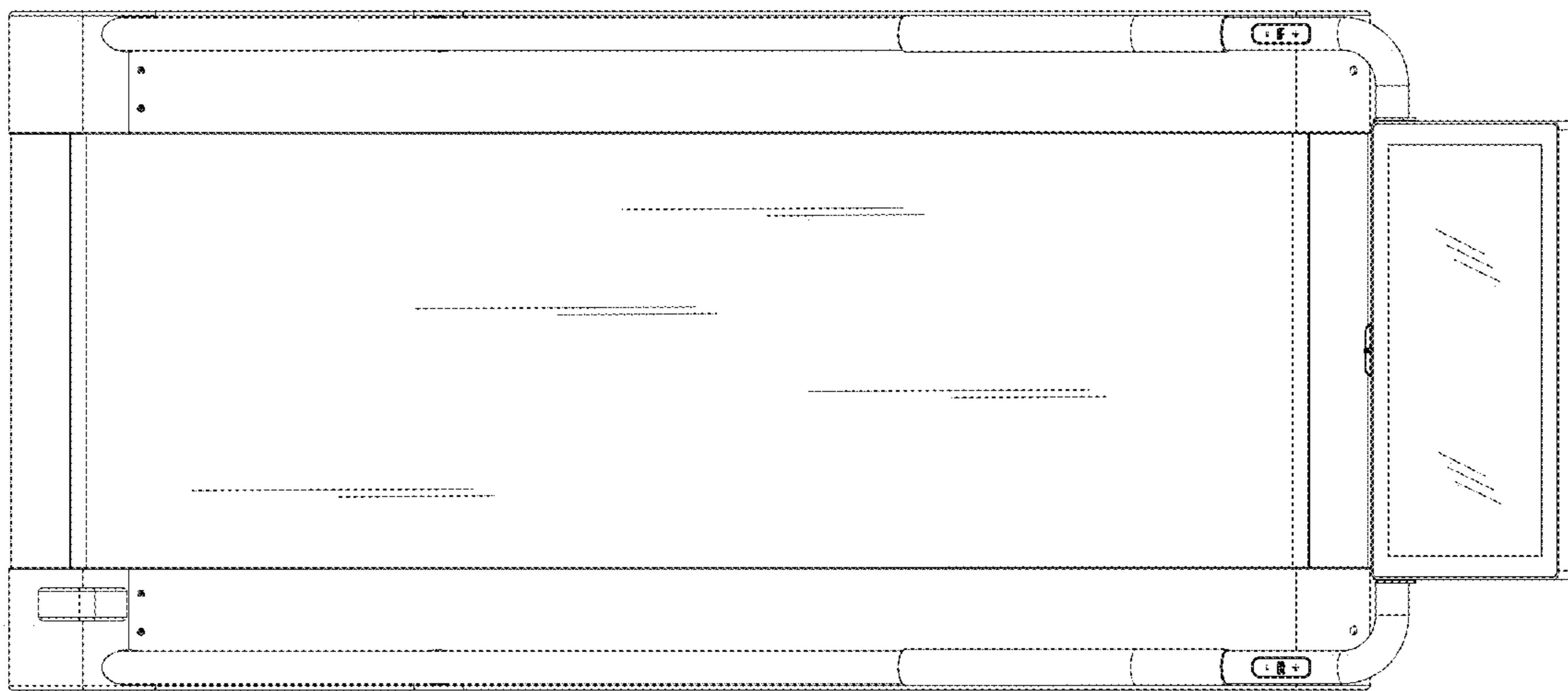


Fig.6

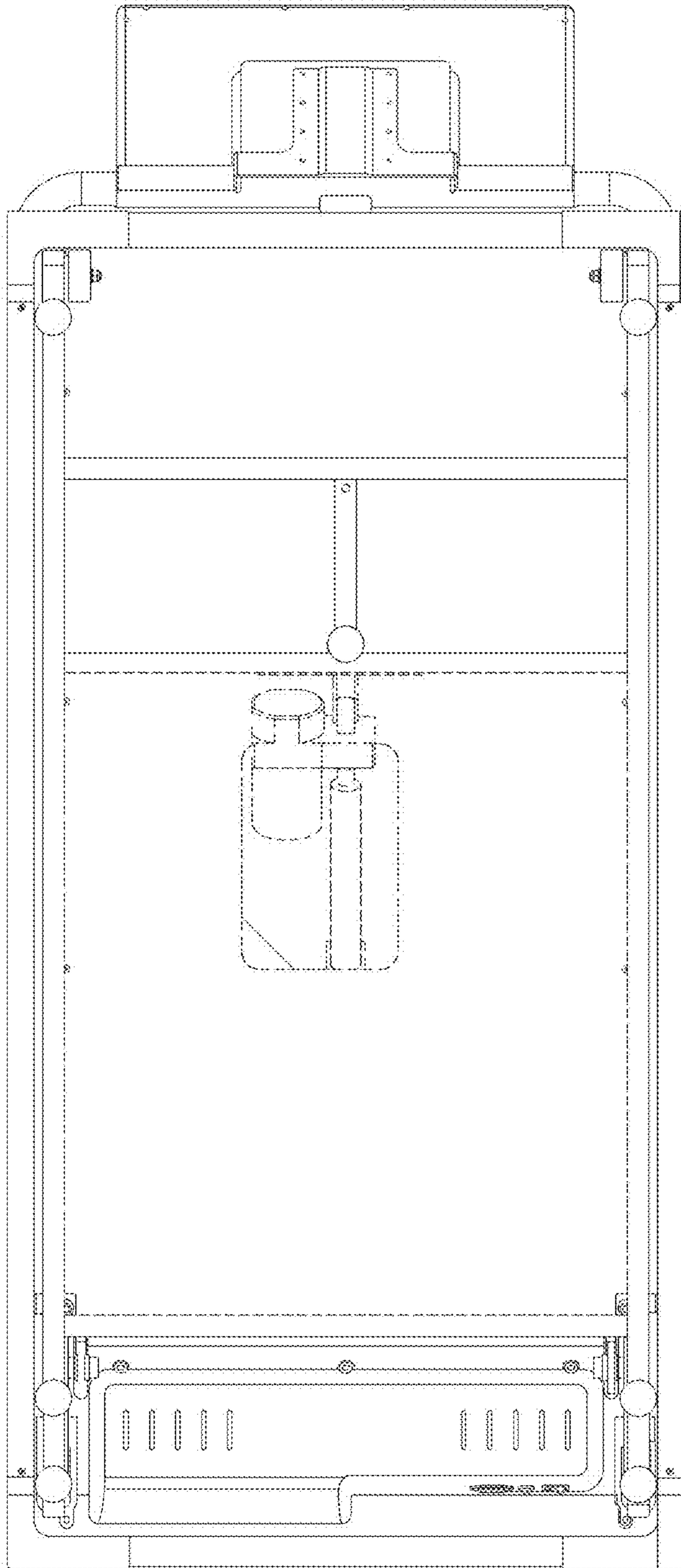


Fig.7

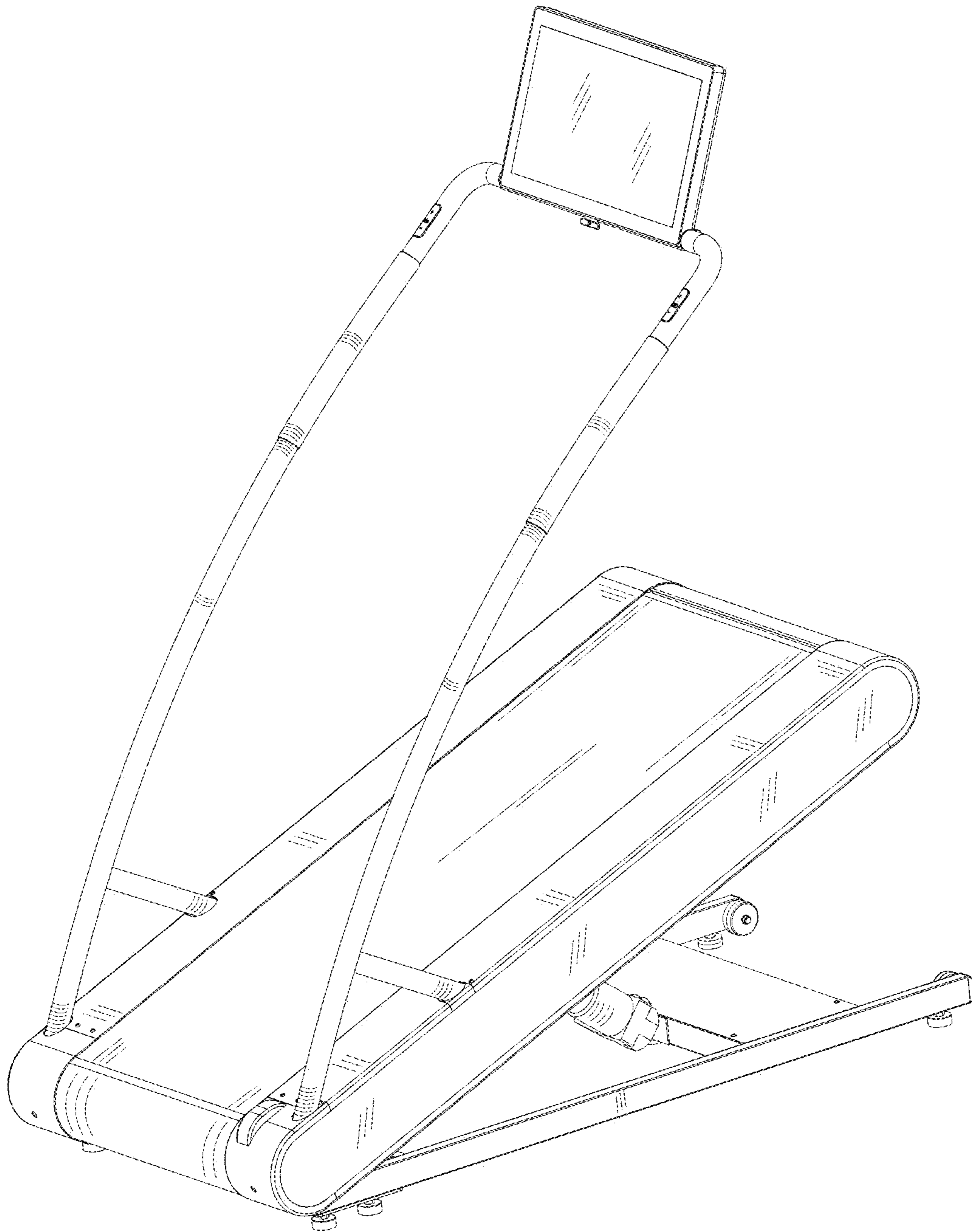


Fig.8

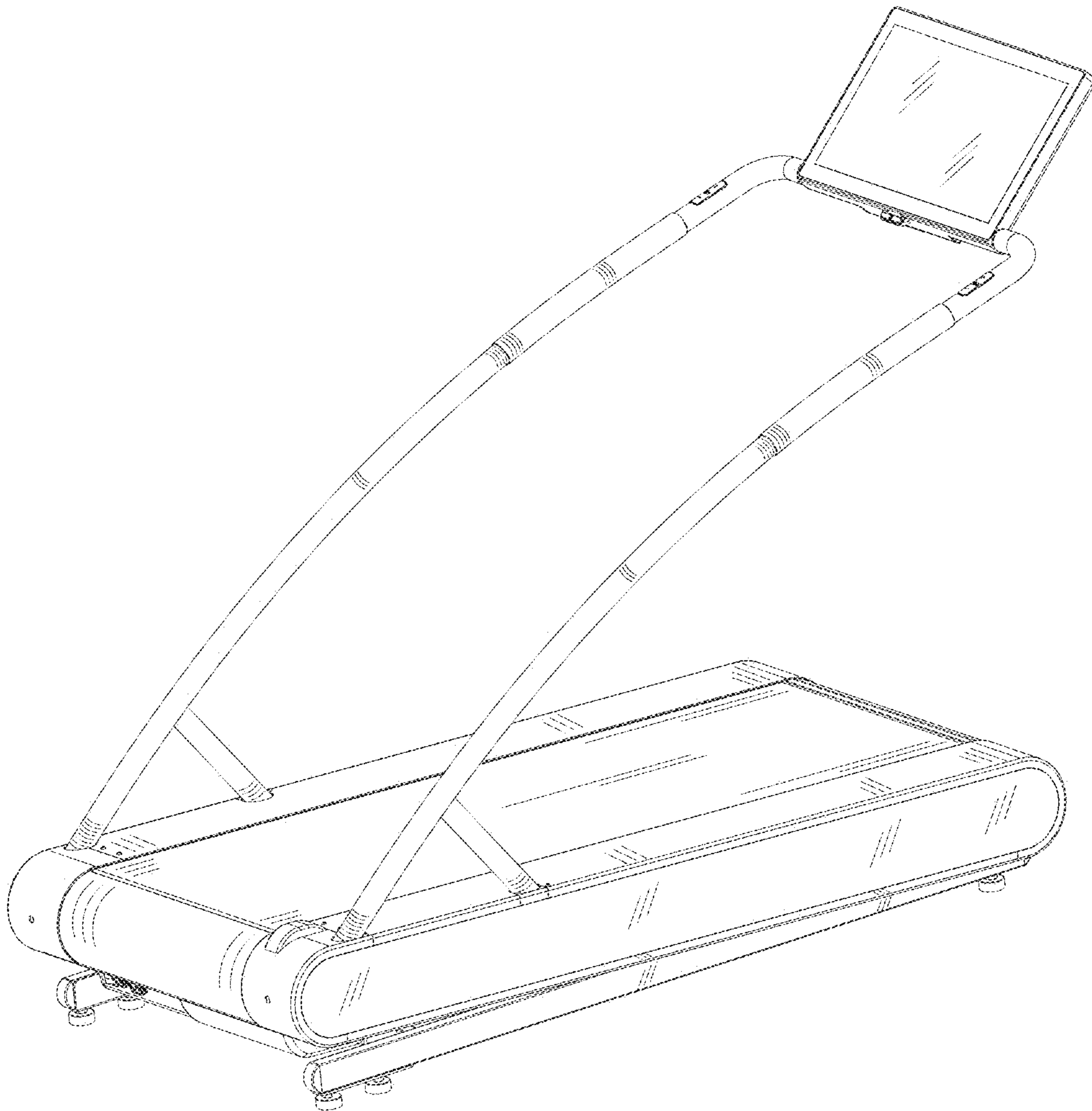


Fig.9