



US00D961009S

(12) **United States Design Patent**  
**Li**

(10) **Patent No.:** **US D961,009 S**

(45) **Date of Patent:** **\*\* Aug. 16, 2022**

(54) **TOY ROBOT**

(71) Applicant: **Shenzhen Skymee Technology Co., Ltd, Guangdong (CN)**

(72) Inventor: **Yunhong Li, Guangdong (CN)**

(73) Assignee: **Shenzhen Skymee Technology Co., Ltd, Shenzhen (CN)**

(\*\*) Term: **15 Years**

(21) Appl. No.: **29/675,381**

(22) Filed: **Dec. 31, 2018**

(51) **LOC (13) Cl.** ..... **21-01**

(52) **U.S. Cl.**

USPC ..... **D21/533; D21/578; D21/606; D30/122**

(58) **Field of Classification Search**

USPC ..... **D21/533, 560, 578, 580, 581, 584, 606; D30/122**

CPC .... **A63H 11/00; A63H 2200/00; A63H 30/04; A63H 17/395; A01K 15/02; A01K 15/025**

See application file for complete search history.

(56) **References Cited**

**U.S. PATENT DOCUMENTS**

D294,278 S *	2/1988	Ukisu .....	D21/560
7,056,185 B1 *	6/2006	Anagnostou .....	A63H 17/262
			180/218
D562,916 S *	2/2008	Laurienzo .....	D21/533
D812,152 S *	3/2018	Hwang .....	D15/199
D813,958 S *	3/2018	Dooley .....	D21/578
D857,117 S *	8/2019	Venancio .....	D21/578

D890,861 S *	7/2020	Blaustein .....	D21/578
D909,496 S *	2/2021	Zou .....	D21/578
2007/0042673 A1 *	2/2007	Ishihara .....	A63H 11/00
			180/215
2010/0124868 A1 *	5/2010	Sip .....	A63H 17/262
			446/465
2012/0185087 A1 *	7/2012	Kang .....	B62D 57/024
			901/1
2015/0174499 A1 *	6/2015	Rosenheck .....	A63H 3/02
			434/118
2019/0270026 A1 *	9/2019	Kaewkamnerdpong .....	B25J 11/0015
2021/0077915 A1 *	3/2021	Blaustein .....	A63H 17/395
2021/0244000 A1 *	8/2021	Suh .....	A01K 15/02

\* cited by examiner

*Primary Examiner* — Cynthia M. Chin

(74) *Attorney, Agent, or Firm* — Georgi Korobanov

(57) **CLAIM**

The ornamental design for a toy robot, as shown and described.

**DESCRIPTION**

FIG. 1 is a Front elevational view of a toy robot showing my new design;

FIG. 2 is an enlarged Rear elevational view thereof;

FIG. 3 is an enlarged Left side view thereof;

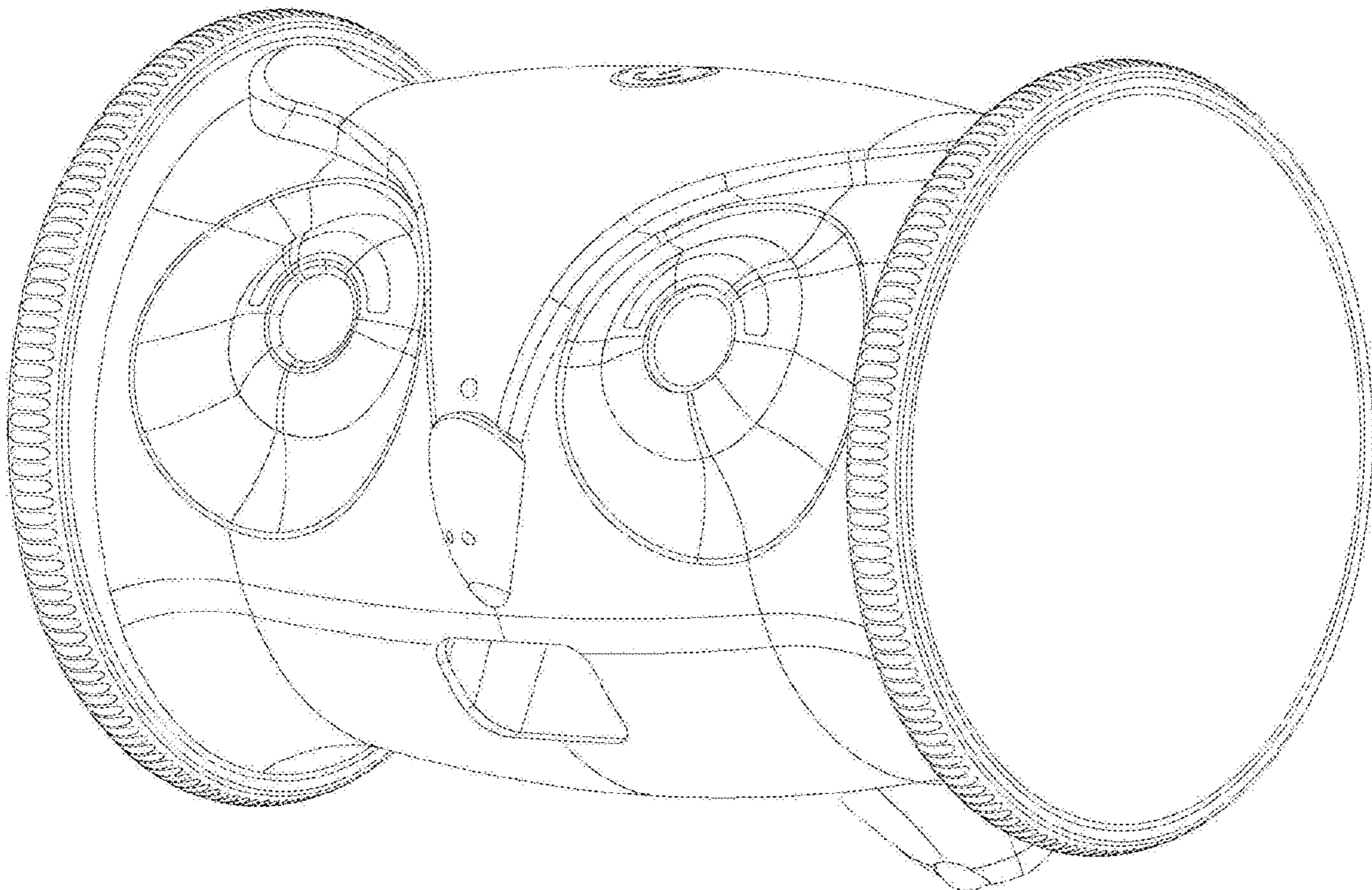
FIG. 4 is a Right side view thereof;

FIG. 5 is a Top plan view thereof;

FIG. 6 is a Bottom plan view thereof; and,

FIG. 7 is a Perspective view thereof.

**1 Claim, 7 Drawing Sheets**



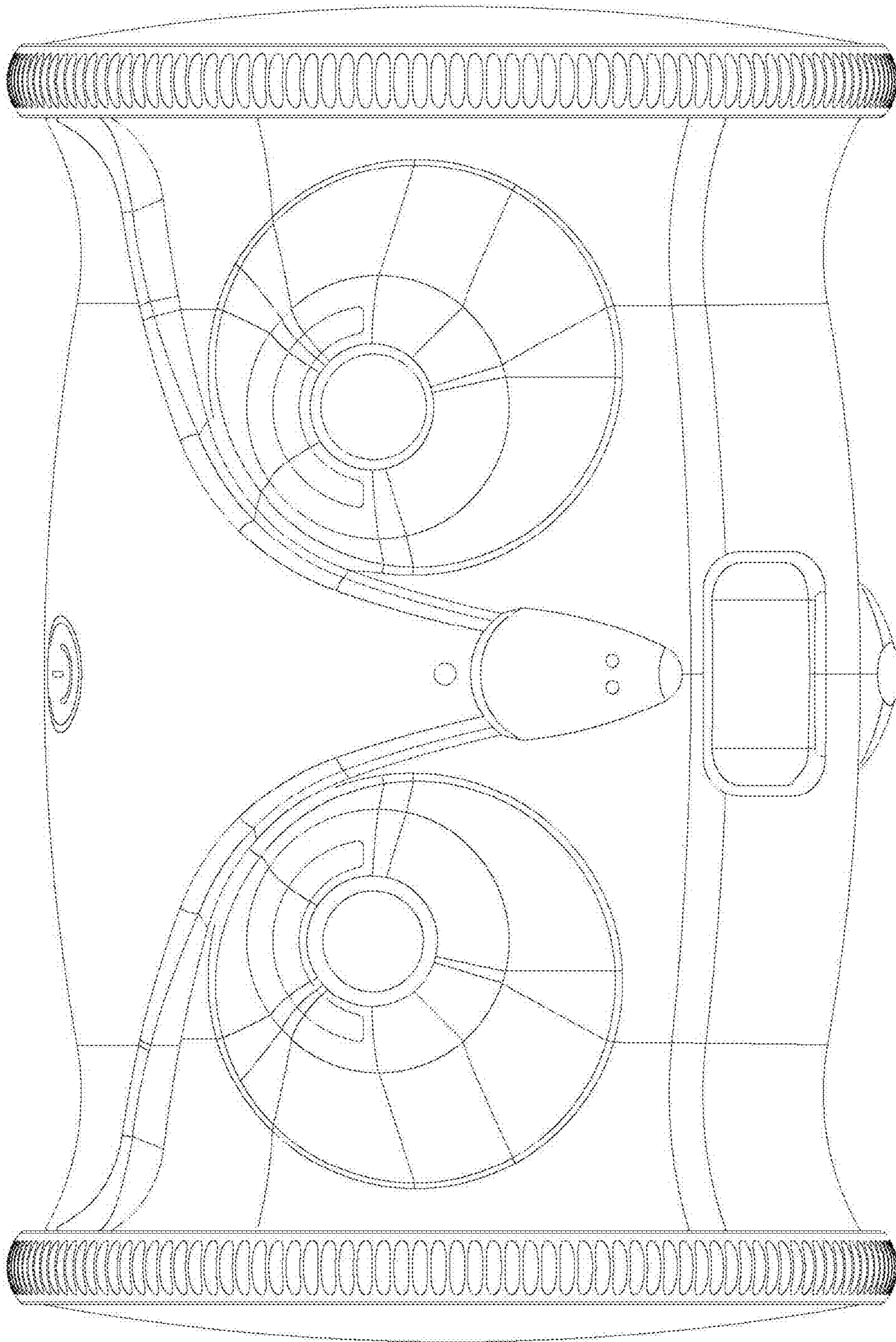


Fig. 1

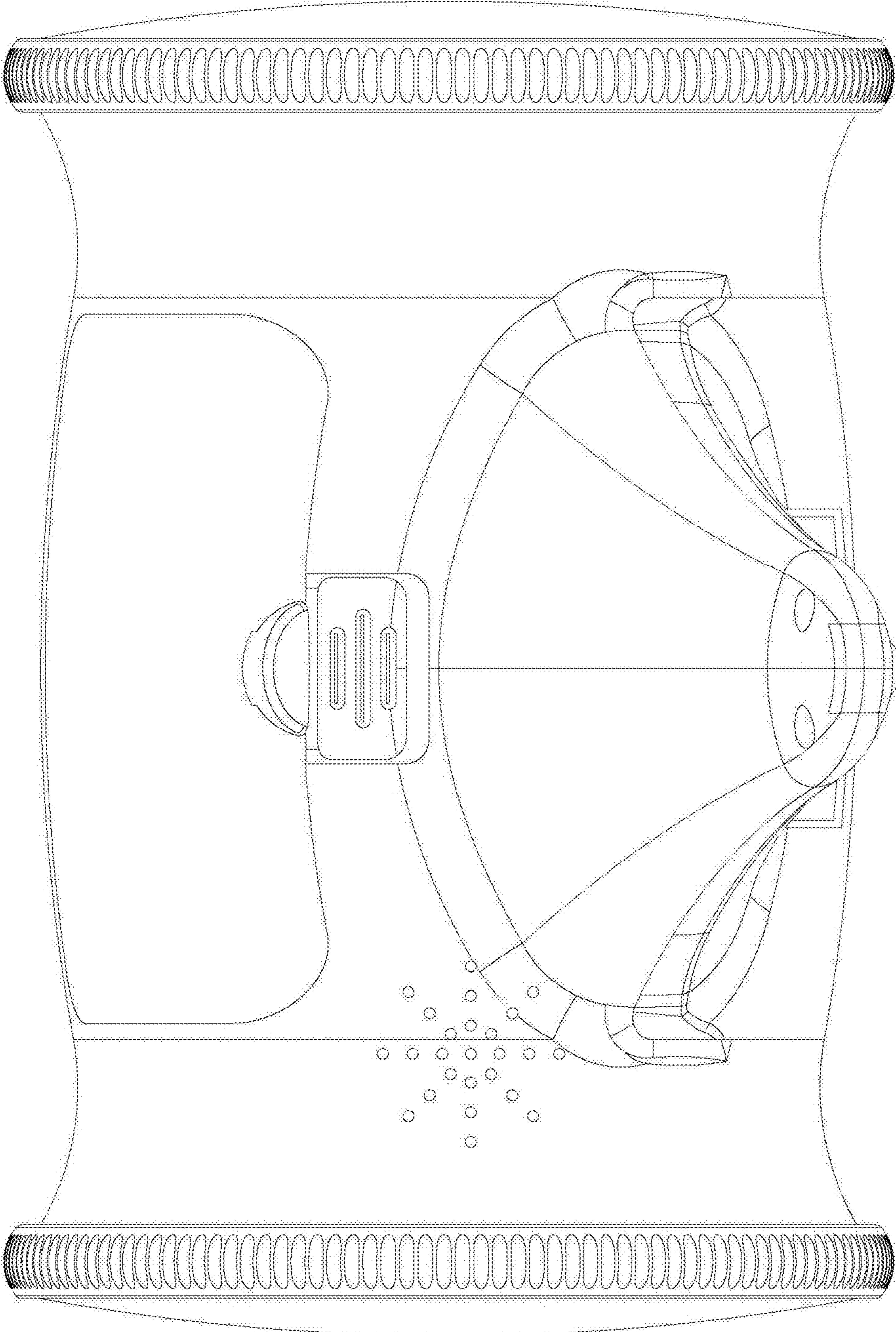


Fig. 2

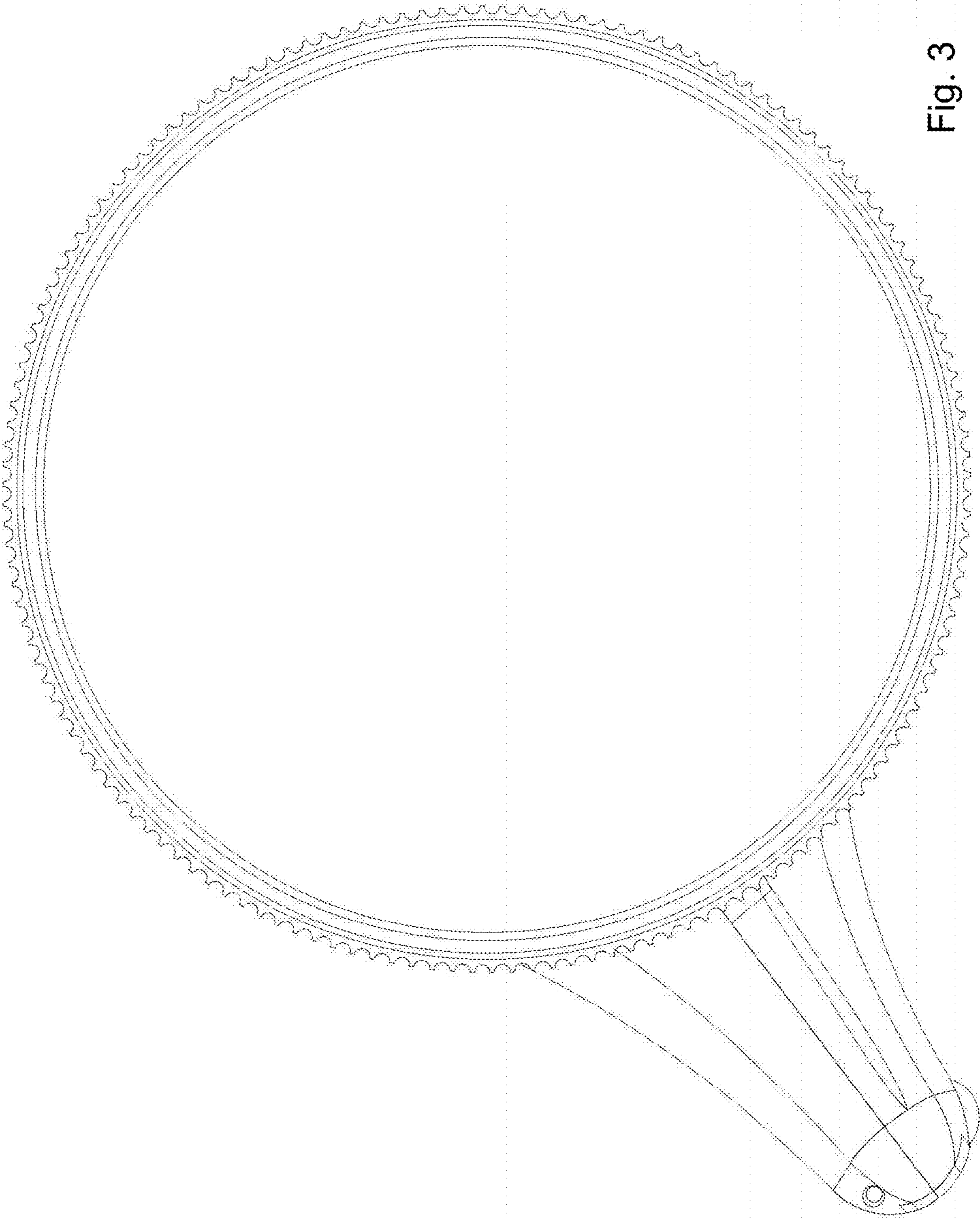


Fig. 3

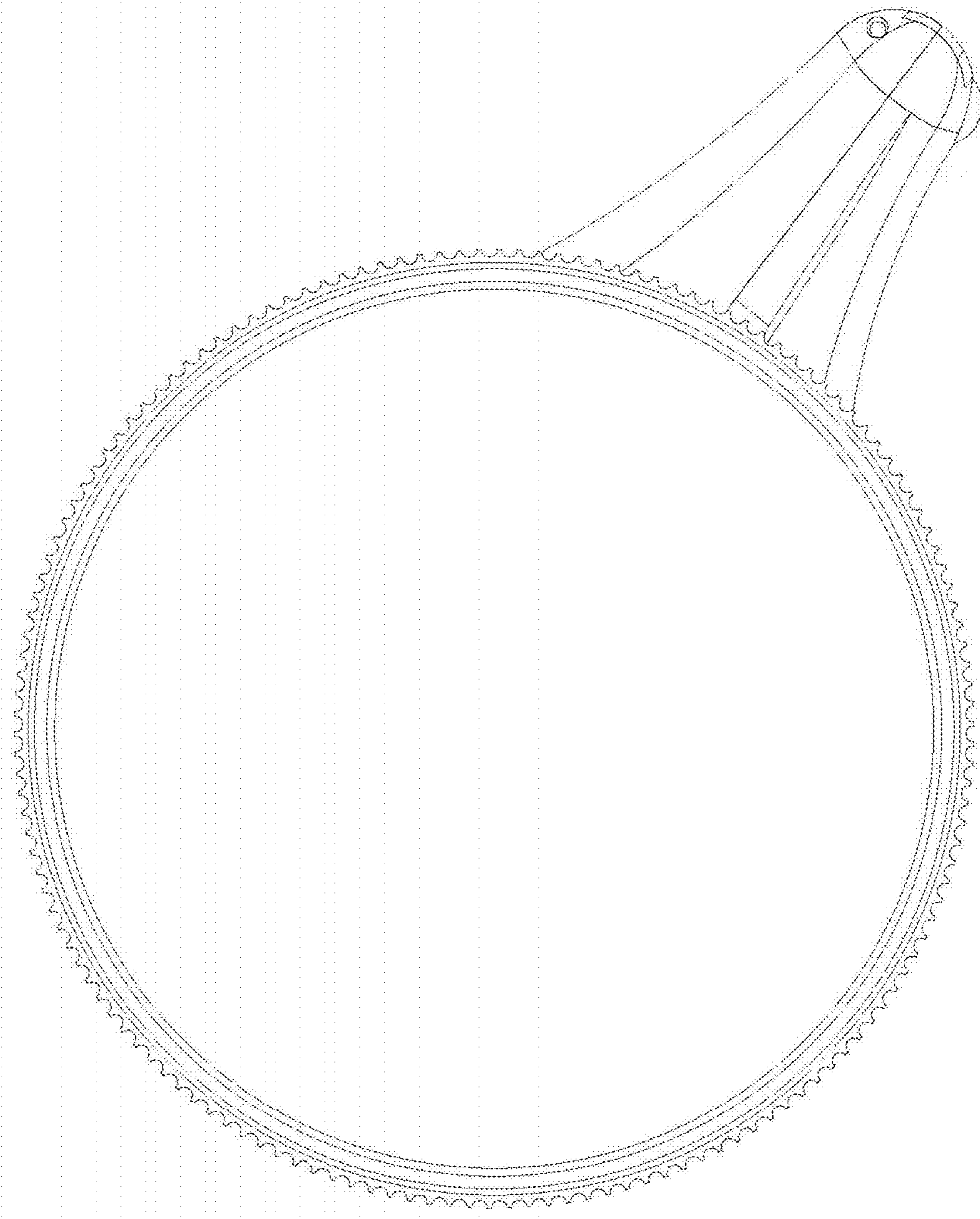


Fig. 4

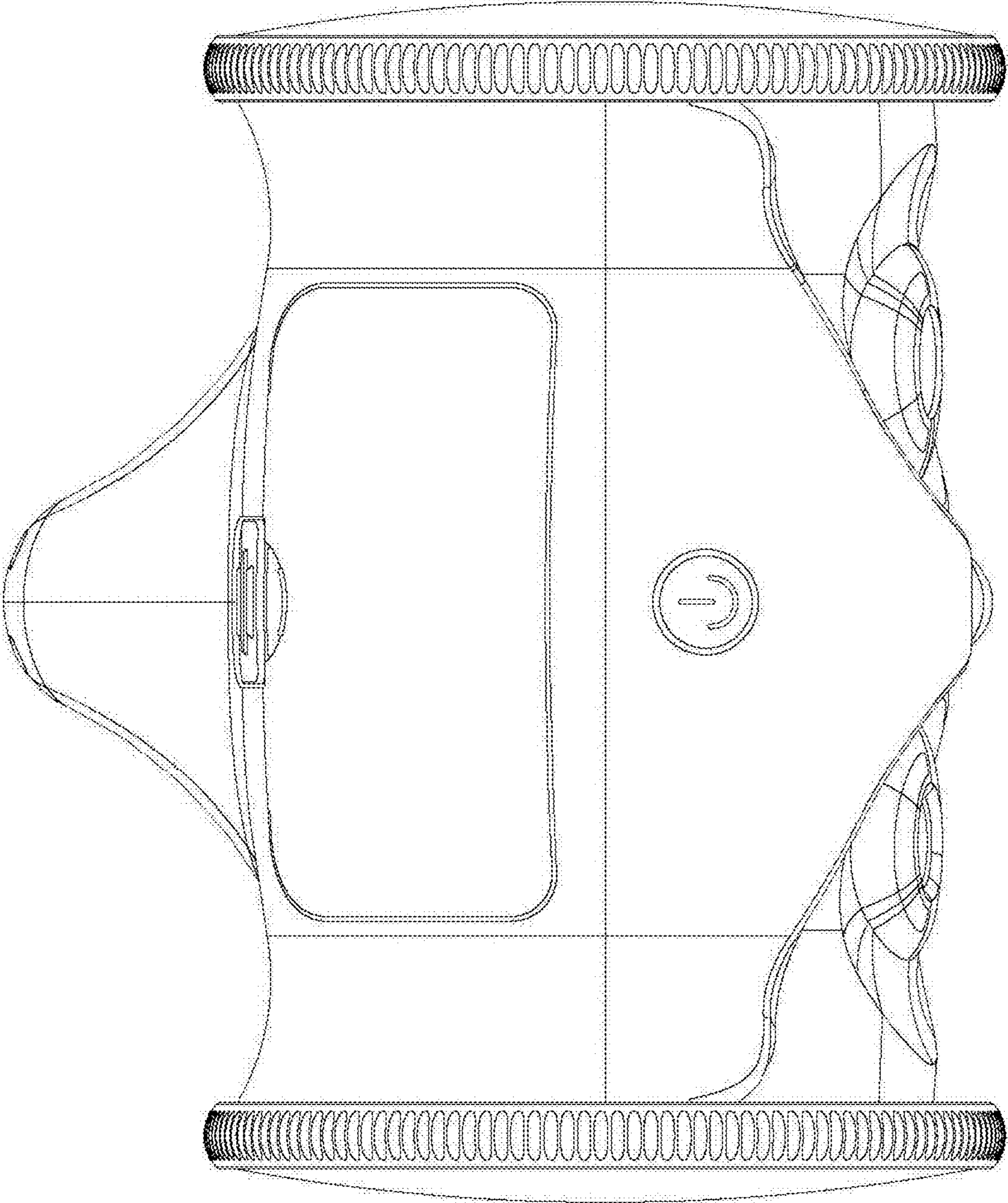
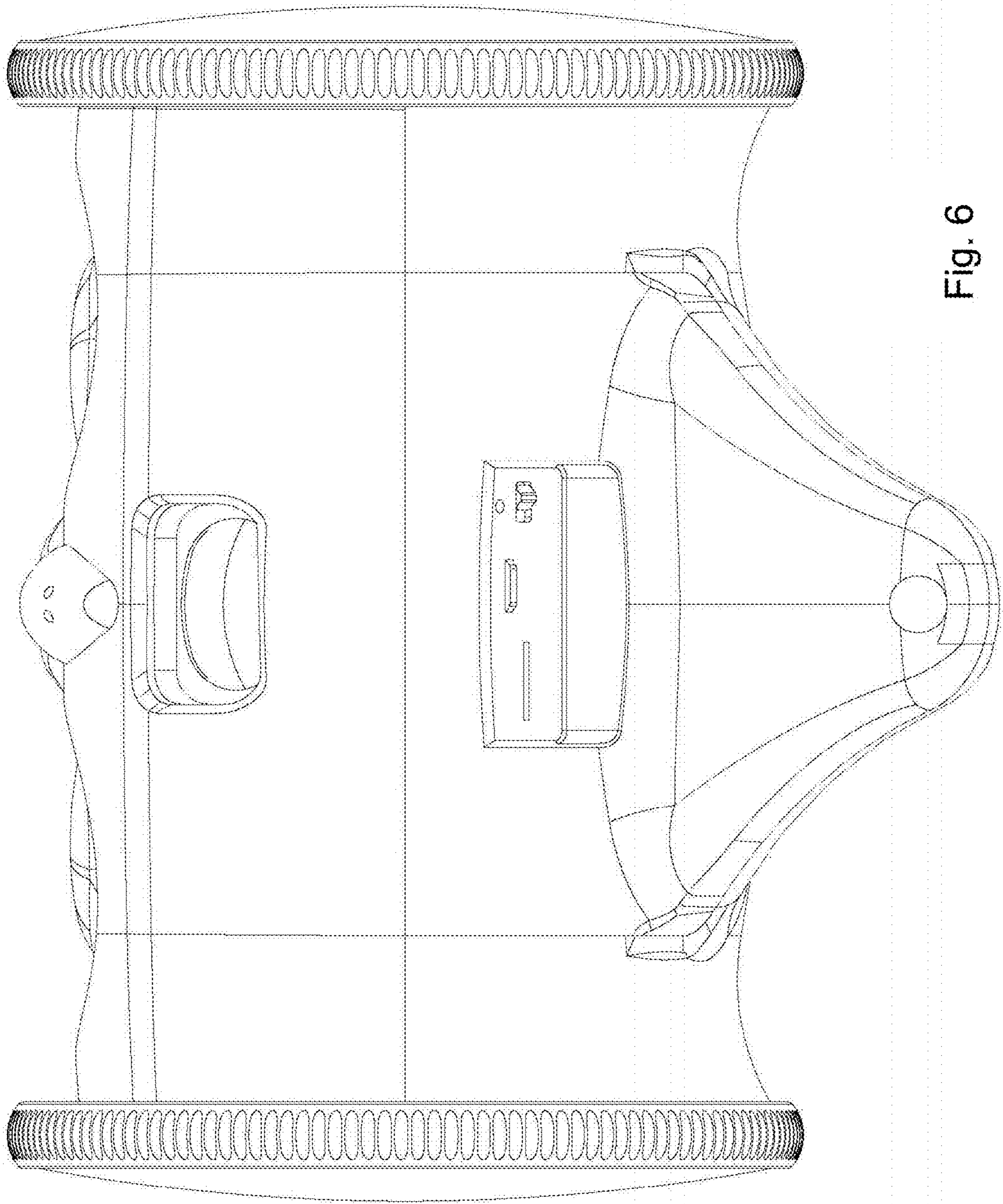


Fig. 5



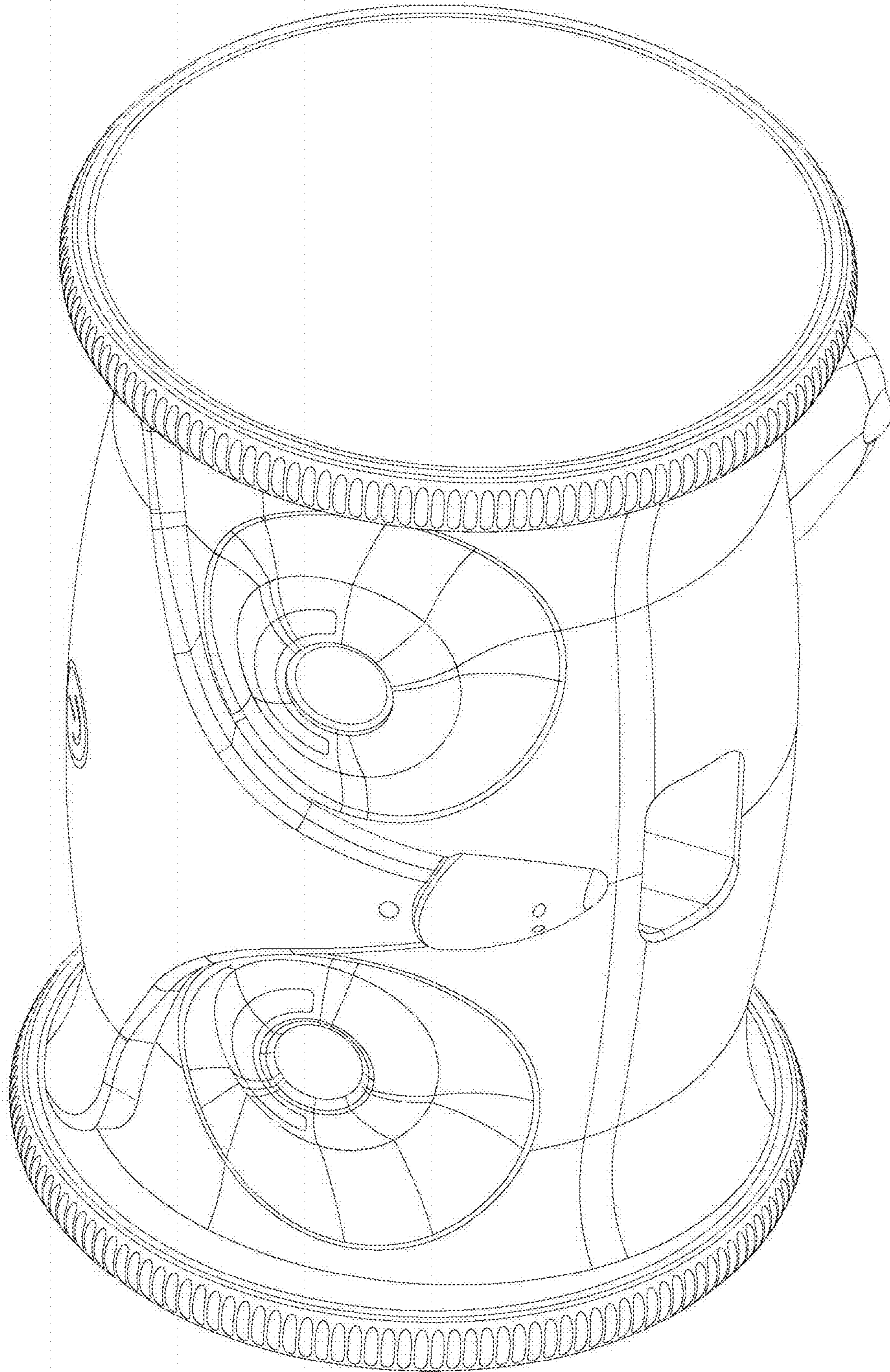


Fig. 7