

US00D961008S

(12) **United States Design Patent**
Weinstock

(10) **Patent No.:** **US D961,008 S**

(45) **Date of Patent:** **** Aug. 16, 2022**

(54) **VACUUM CLEANER**

(71) Applicant: **Marc Frederick Weinstock**, Los Angeles, CA (US)

(72) Inventor: **Marc Frederick Weinstock**, Los Angeles, CA (US)

(**) Term: **15 Years**

(21) Appl. No.: **29/777,000**

(22) Filed: **Apr. 1, 2021**

(51) **LOC (13) Cl.** **21-01**

(52) **U.S. Cl.**
USPC **D21/526; D32/23**

(58) **Field of Classification Search**
USPC D32/15, 17-24, 31-34; D21/526
CPC A47L 5/24; A47L 7/0076; A47L 11/04;
A47L 11/22; A47L 5/28; A47L 9/106;
A47L 11/30; B04C 5/185; E04H 4/1636;
A63H 33/305

See application file for complete search history.

(56) **References Cited**

U.S. PATENT DOCUMENTS

D144,063 S *	3/1946	McAllister	D32/23
D148,311 S *	1/1948	Lilly	D32/23
D271,021 S *	10/1983	Cyphert	D32/23
D315,624 S *	3/1991	Kimura	D32/23
D315,756 S *	3/1991	Pape	D21/526
D359,823 S *	6/1995	Buchness	D32/15
D403,481 S *	12/1998	Kohler	D32/23
D429,857 S *	8/2000	Griffin	D32/23
D438,678 S *	3/2001	Griffin	D32/21

D452,052 S *	12/2001	Griffin	D32/23
D506,857 S *	6/2005	Griffin	D32/23
8,117,713 B2 *	2/2012	Kasper	A47L 9/009 15/328
2019/0010686 A1 *	1/2019	Hughes	A47L 9/327

OTHER PUBLICATIONS

You Can Buy A Mini Vacuum For Kids That Works (on-line), dated Apr. 17, 2019. Retrieved from Internet May 26, 2022, URL: <https://www.simplemost.com/you-can-buy-a-mini-hoover-vacuum-for-kids-that-actually-works/> (2 pages) (Year: 2019).*

* cited by examiner

Primary Examiner — Kimberly Barnes
(74) *Attorney, Agent, or Firm* — Schafer IP Law PLLC

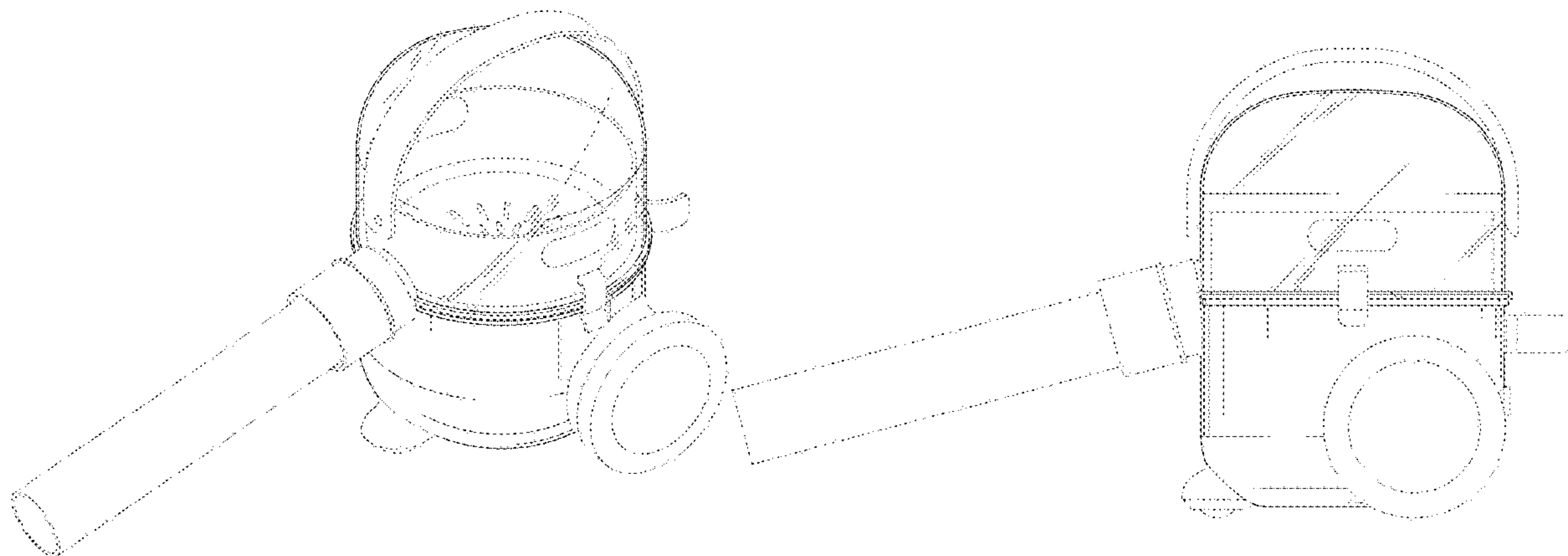
(57) **CLAIM**

I claim the ornamental design for a vacuum cleaner, as shown and described.

DESCRIPTION

FIG. 1 is a perspective view of a vacuum cleaner showing my new design;
FIG. 2 is a left side view thereof;
FIG. 3 is a right side view thereof;
FIG. 4 is a front view thereof;
FIG. 5 is a rear view thereof;
FIG. 6 is a top view thereof; and,
FIG. 7 is a bottom view thereof.
The broken lines in FIGS. 1-7 illustrate portions of the vacuum cleaner that form no part of the claimed design.

1 Claim, 6 Drawing Sheets



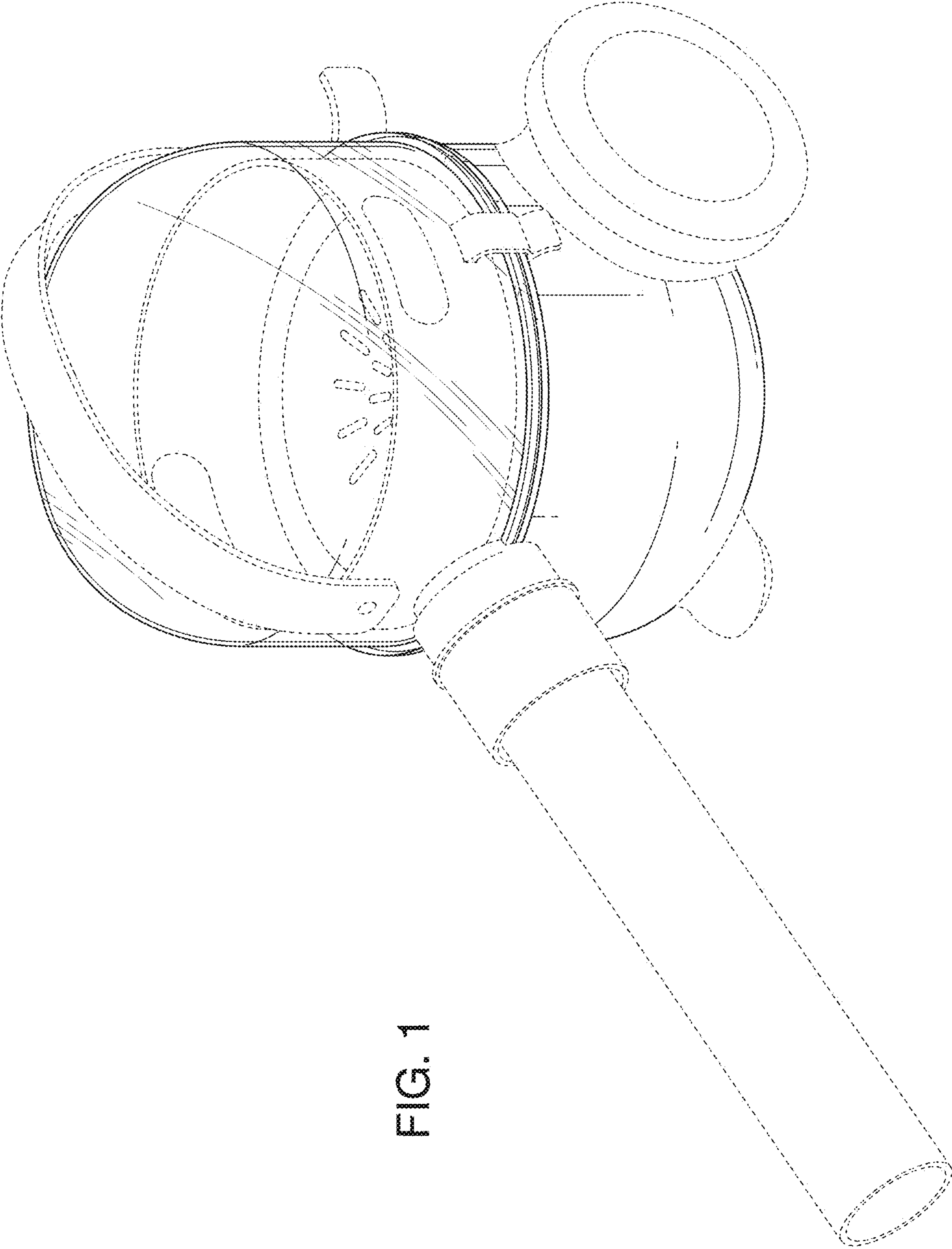


FIG. 1

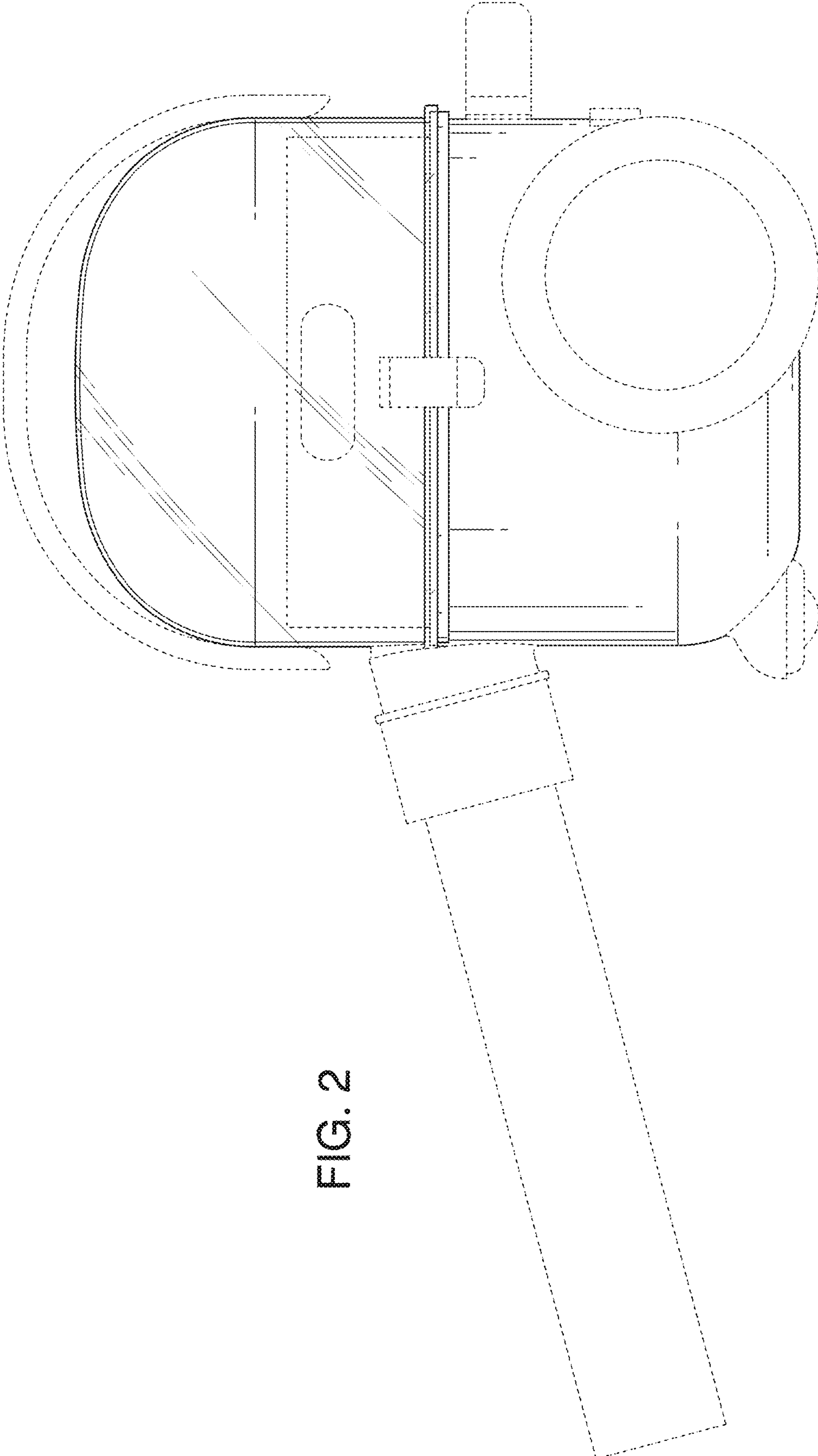


FIG. 2

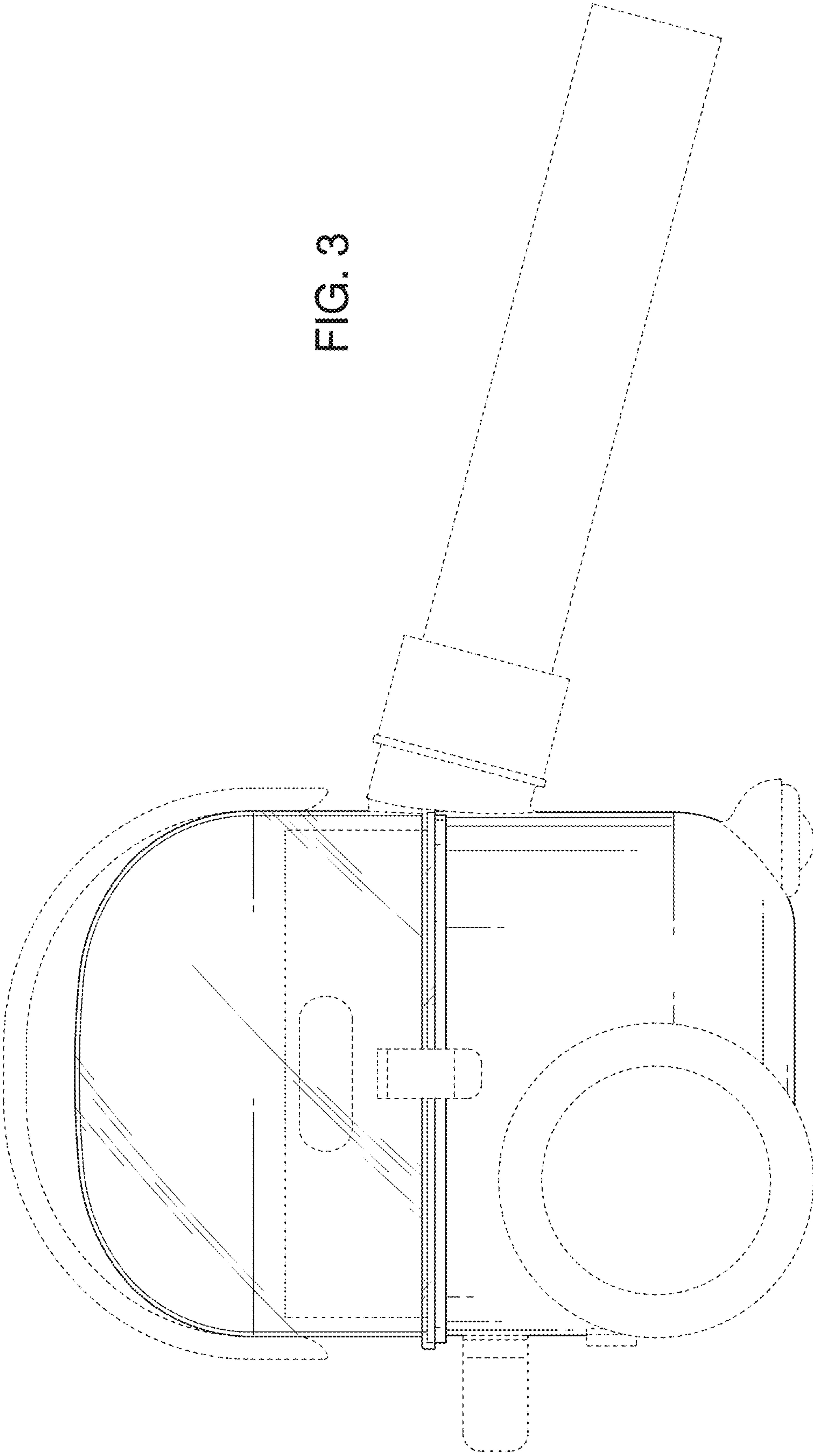


FIG. 3

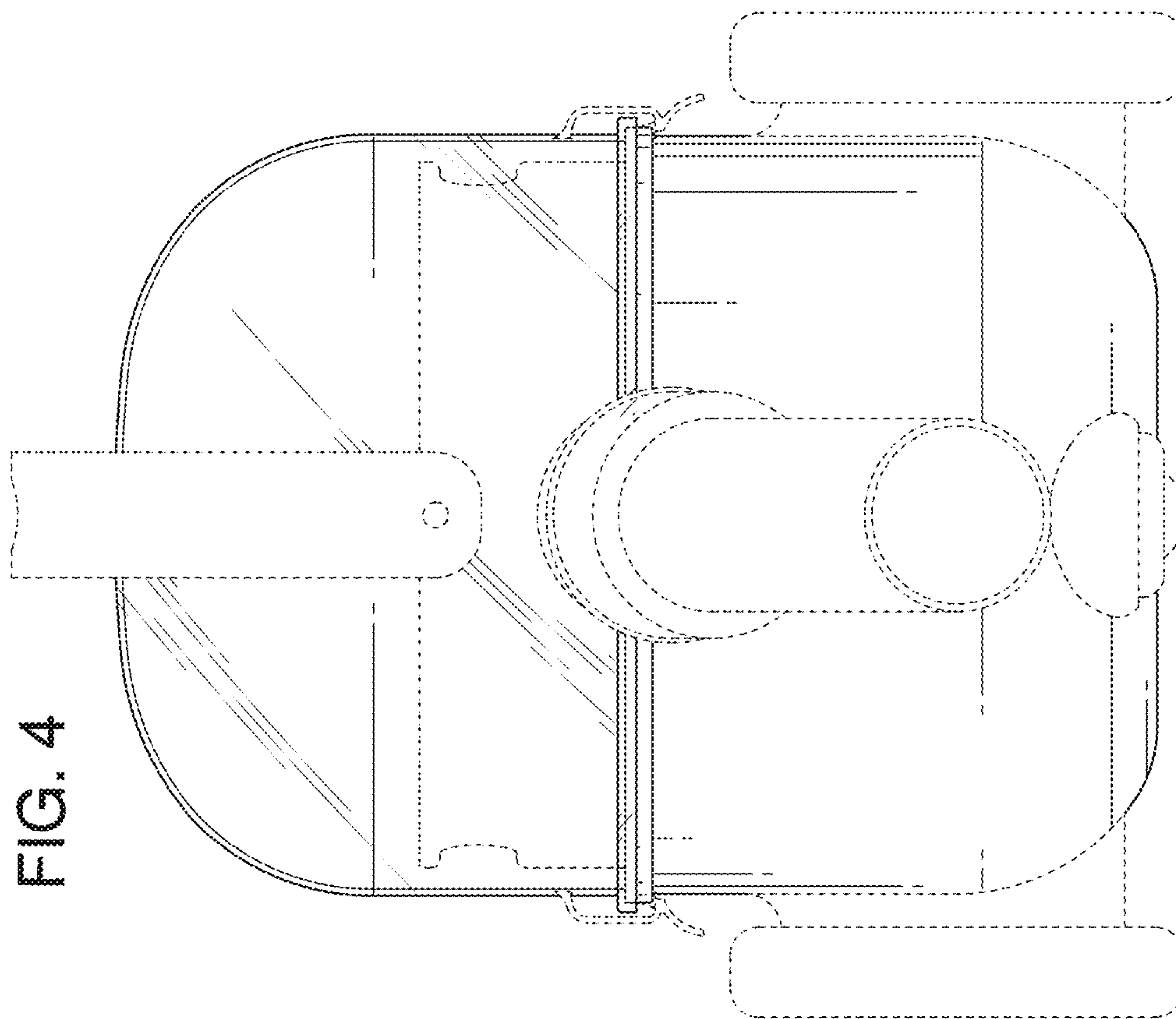
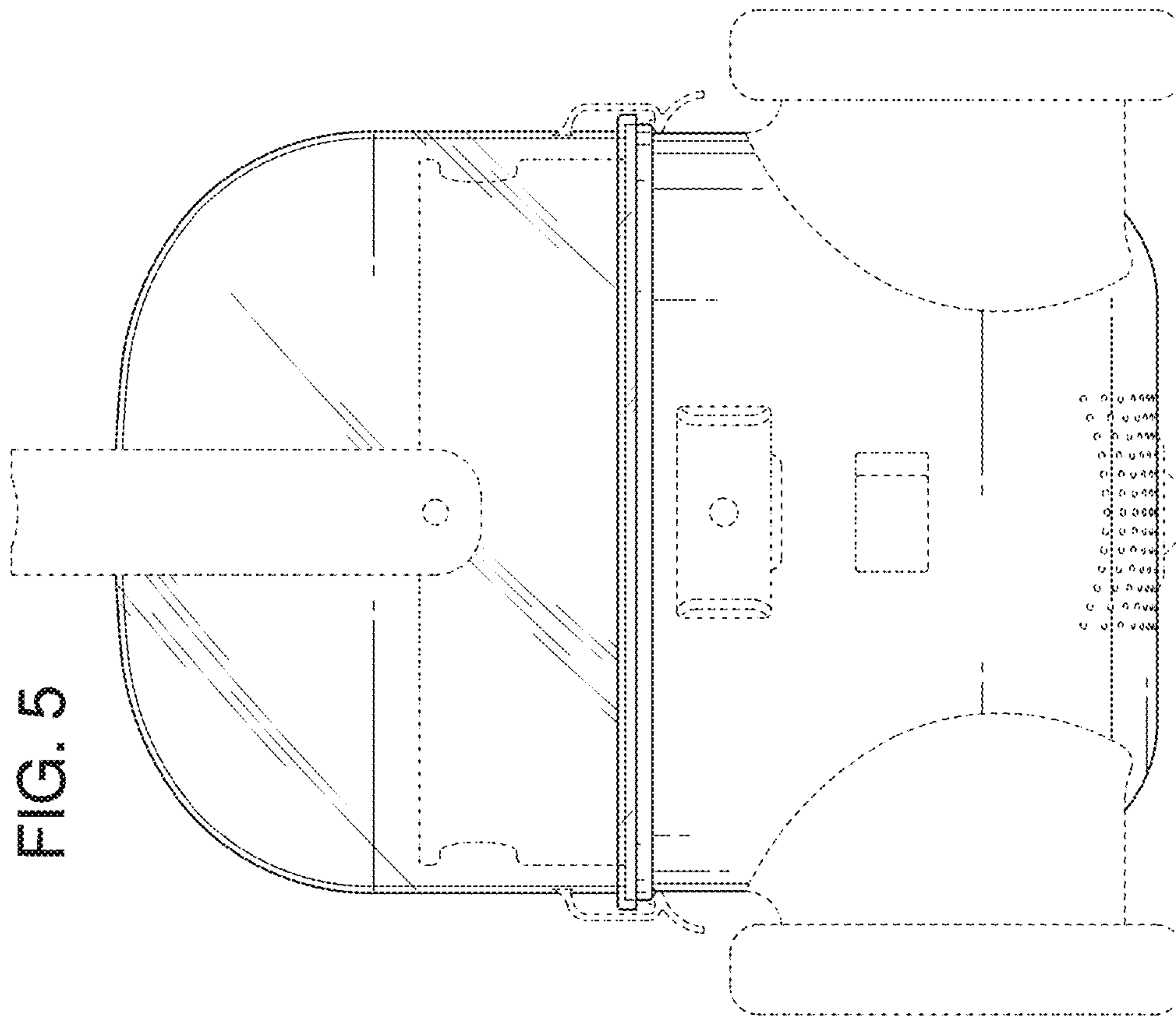


FIG. 5

FIG. 4

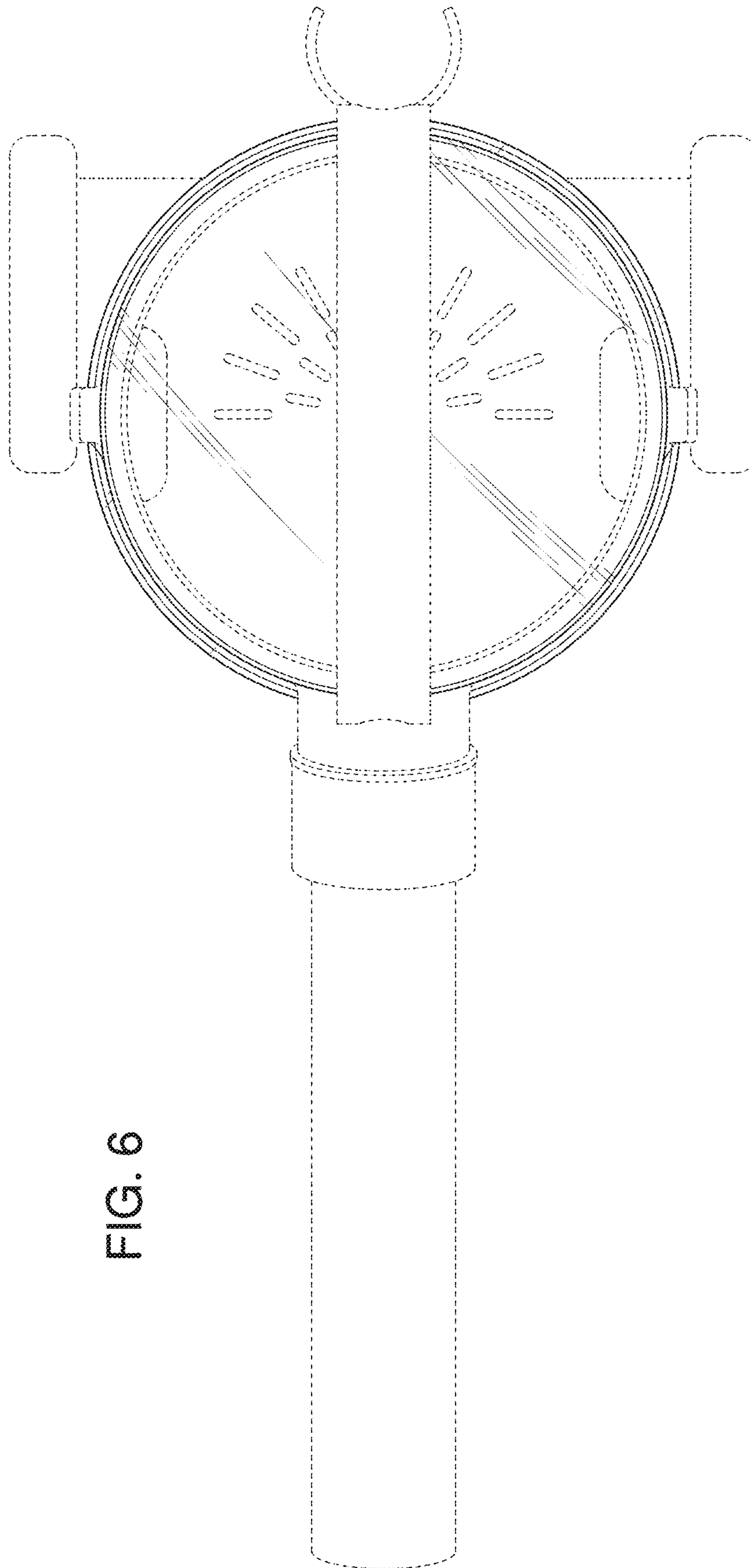


FIG. 6

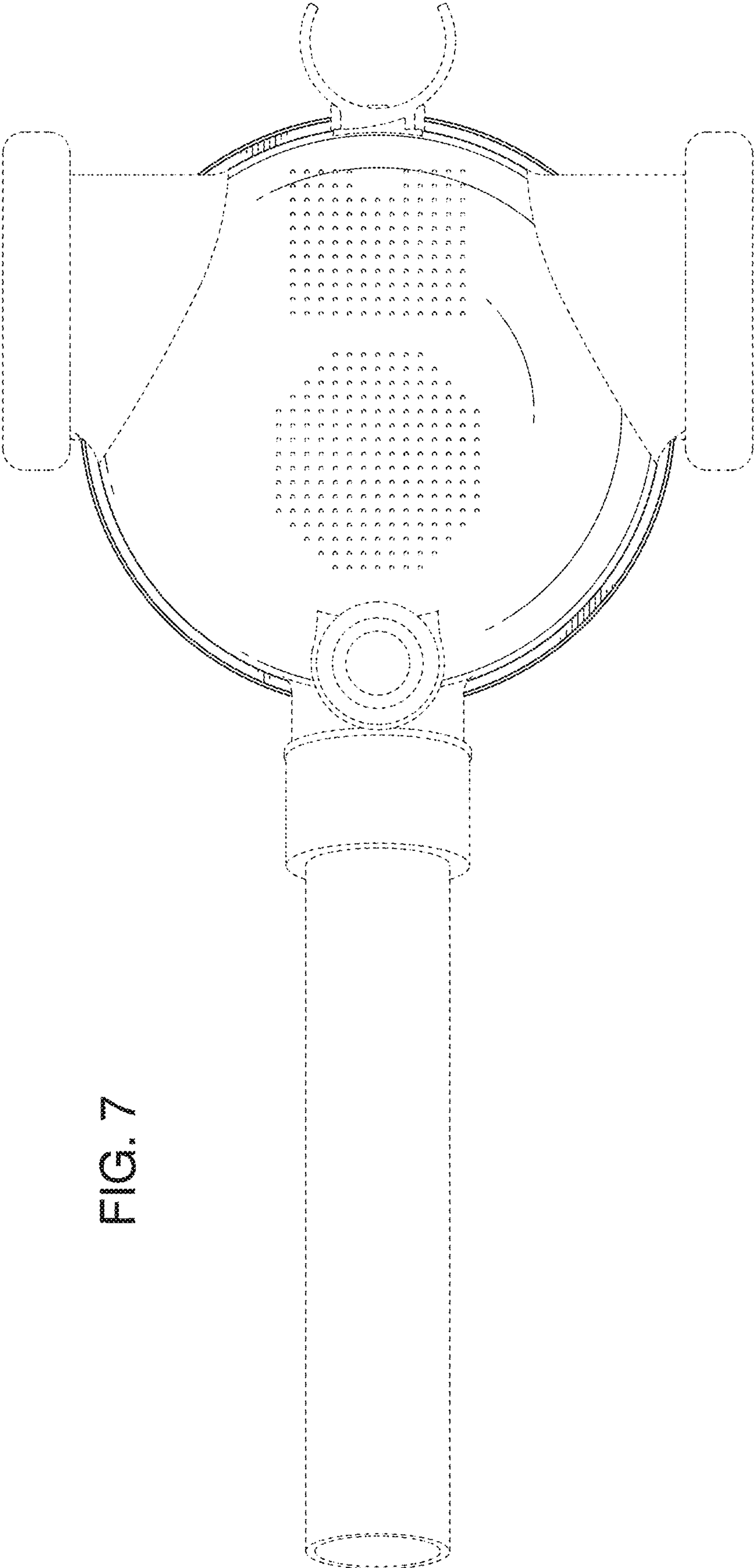


FIG. 7