



US00D961004S

(12) **United States Design Patent** (10) **Patent No.:** **US D961,004 S**
Zeng (45) **Date of Patent:** **** Aug. 16, 2022**

(54) **JIGSAW PUZZLE**
(71) Applicant: **Shantou Chenghai District Kaihui Toys Factory, Guangdong (CN)**
(72) Inventor: **Qinghui Zeng, Guangdong (CN)**
(73) Assignee: **Shantou Chenghai District Kaihui Toys Factory, Guangdong (CN)**
(**) Term: **15 Years**
(21) Appl. No.: **29/817,171**
(22) Filed: **Nov. 29, 2021**
(51) **LOC (13) Cl.** **21-01**
(52) **U.S. Cl.**
USPC **D21/468**
(58) **Field of Classification Search**
USPC D21/303, 341, 342, 344, 345, 350, 354, D21/313, 340, 360, 366, 386, 389, 392, D21/397, 455, 468, 466, 475, 478, 493, D21/496; D9/499, 645, 721, 756, 757, D9/761, 762; D7/354, 359, 367, 389, D7/551.3, 553.4, 553, 556, 569, 578, 625, D7/357, 672, 676; D1/109, 110; D3/208, 211; D24/188, 193–195, 200, D24/211–214; D11/204, 205, 211, 219, D11/224, 226, 233, 238, 239, 44, 48, 57, D11/75, 101, 125, 173; D30/160
CPC A63F 3/00694; A63F 3/00176; A63F 3/00; A63F 9/00; A63F 9/001; A63F 9/0081; A63F 1/06; A63F 3/00094; A63F 3/00097; A63F 3/00173; A63F 2003/00182; A63F 3/00214; A63F 3/0625; A63F 9/0602; A63F 9/0073; A63F 9/0093; G07F 17/00; G16H 20/60; A63H 33/00; A63B 23/16; A61H 15/00
See application file for complete search history.

D362,027 S * 9/1995 Nelson D21/341
D371,961 S * 7/1996 Krupa D9/757
D375,761 S * 11/1996 Cone, Jr. D21/341
D462,719 S 9/2002 Guilloton et al.
D482,411 S 11/2003 Stevens et al.
D501,231 S * 1/2005 Rom D21/478
D592,827 S * 5/2009 Mederer D1/110
(Continued)

OTHER PUBLICATIONS

“Pop Puzzle Popper Fidget Game, Jigsaw Puzzle Game Pop Push Bubble Sensory Fidget Toys” published 2022[Online],[retrieved Jun. 27, 2022]. Retrieved from Internet: https://cykapu.com/ja/products/pop-puzzle-popper-fidget-game-jigsaw-puzzle-game-pop-push-bubble-sensory-fidget-toys.*

Primary Examiner — Mehri F Bajoul
(74) *Attorney, Agent, or Firm* — ScienBiziP, P.C.

(57) **CLAIM**

The ornamental design for a jigsaw puzzle, as shown and described.

DESCRIPTION

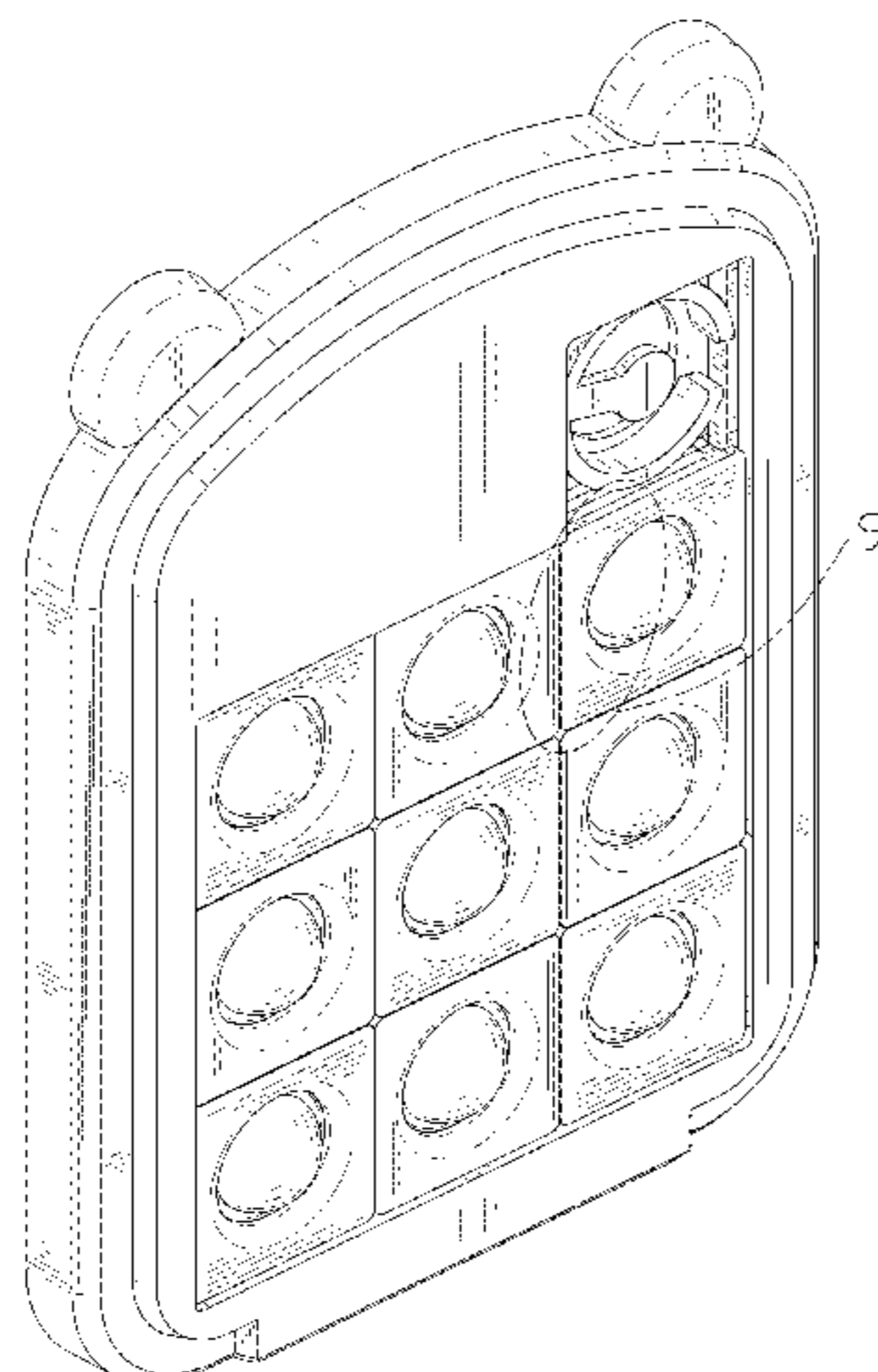
FIG. 1 is a front, left, and top perspective view of a jigsaw puzzle, showing my design.
FIG. 2 is a rear, right, and bottom perspective view thereof.
FIG. 3 is a front elevation view thereof.
FIG. 4 is a rear elevation view thereof.
FIG. 5 is a left side elevation view thereof.
FIG. 6 is a right side elevation view thereof.
FIG. 7 is a top plan view thereof.
FIG. 8 is a bottom plan view thereof; and,
FIG. 9 is a partial enlarged view of an area labeled 9 in FIG. 1 comprising a groove part.
The broken lines shown in the drawings are included for the purpose of illustrating portions of the jigsaw puzzle that form no part of the claimed design.

1 Claim, 9 Drawing Sheets

(56) **References Cited**

U.S. PATENT DOCUMENTS

D265,408 S * 7/1982 Ericson D21/344
D346,552 S * 5/1994 Krupa D9/757



(56)

References Cited

U.S. PATENT DOCUMENTS

D661,541	S	*	6/2012	Braden	D7/354
D689,746	S	*	9/2013	Zorovich	D7/672
D713,890	S	*	9/2014	Elwell	D21/341
D855,111	S	*	7/2019	Cowan	D21/342
D897,449	S	*	9/2020	Xu	D21/392
D903,777	S	*	12/2020	Carson	D21/468
D908,810	S	*	1/2021	Carson	D21/468
D908,811	S	*	1/2021	Carson	D21/468
D911,449	S	*	2/2021	Peeters	D21/342
D914,067	S	*	3/2021	Wu	D15/90
D915,475	S	*	4/2021	Wu	D15/90
D917,628	S	*	4/2021	Uroda	D21/455
D924,336	S	*	7/2021	Yu	D21/341
D937,358	S	*	11/2021	Chen	D21/348
D937,359	S	*	11/2021	Chen	D21/360
D939,635	S	*	12/2021	Chen	D21/468
D940,243	S	*	1/2022	Yu	D21/313
D944,329	S	*	2/2022	Deng	D21/468
D947,953	S	*	4/2022	Cui	D21/468
D953,440	S	*	5/2022	Li	D21/468
2006/0219594	A1	*	10/2006	Andrews	B65D 85/32 206/518

* cited by examiner

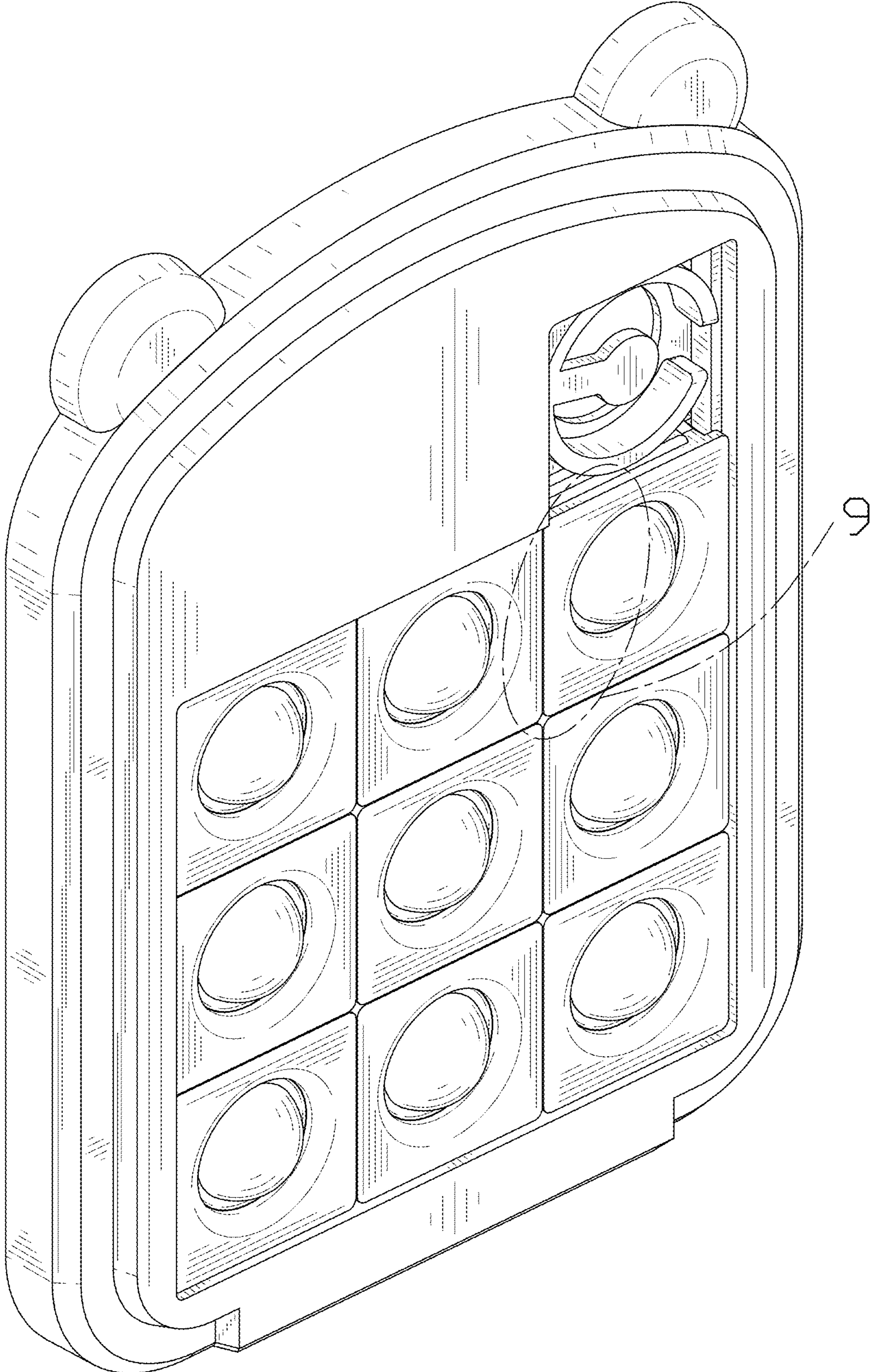


FIG. 1

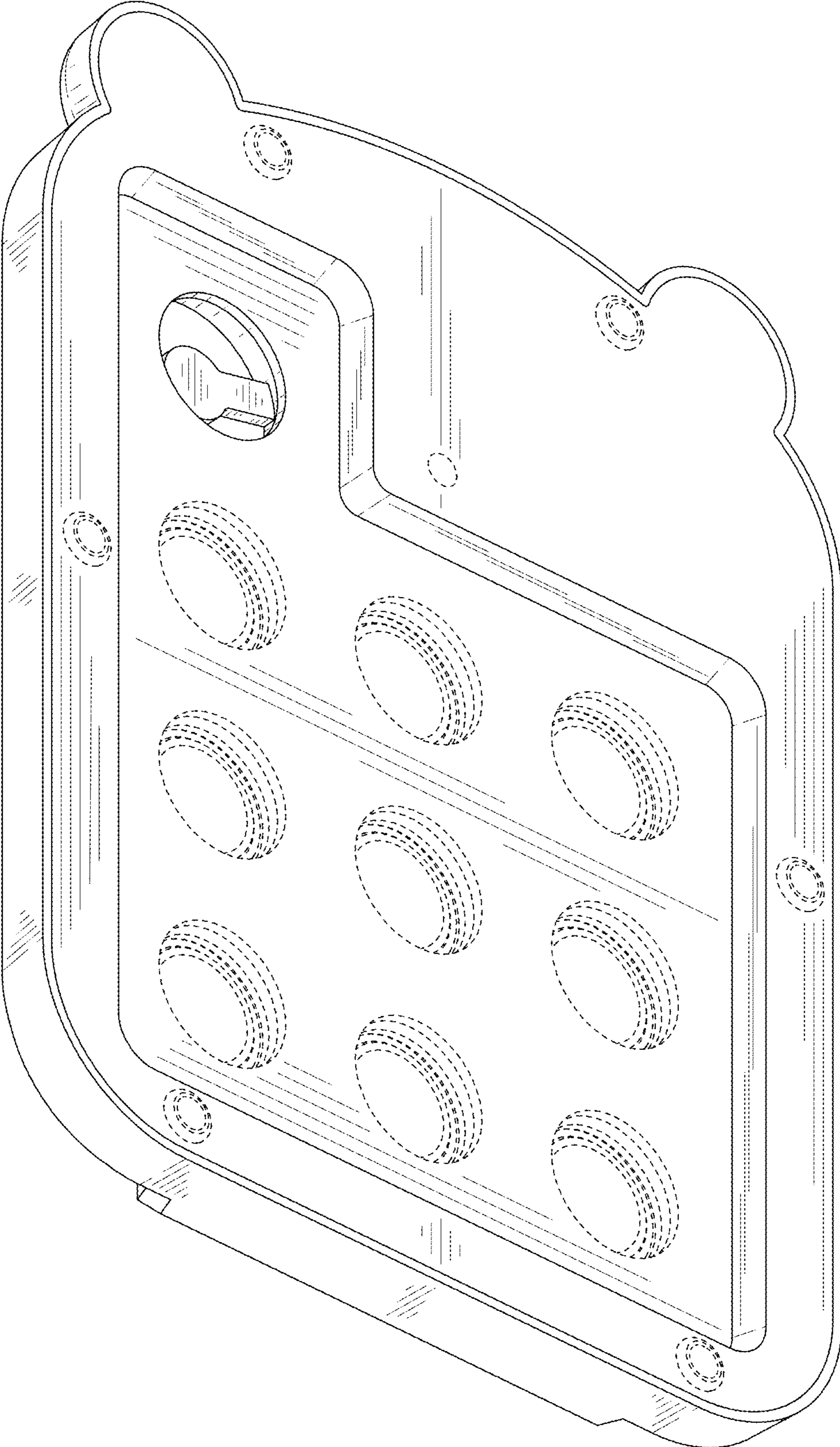


FIG. 2

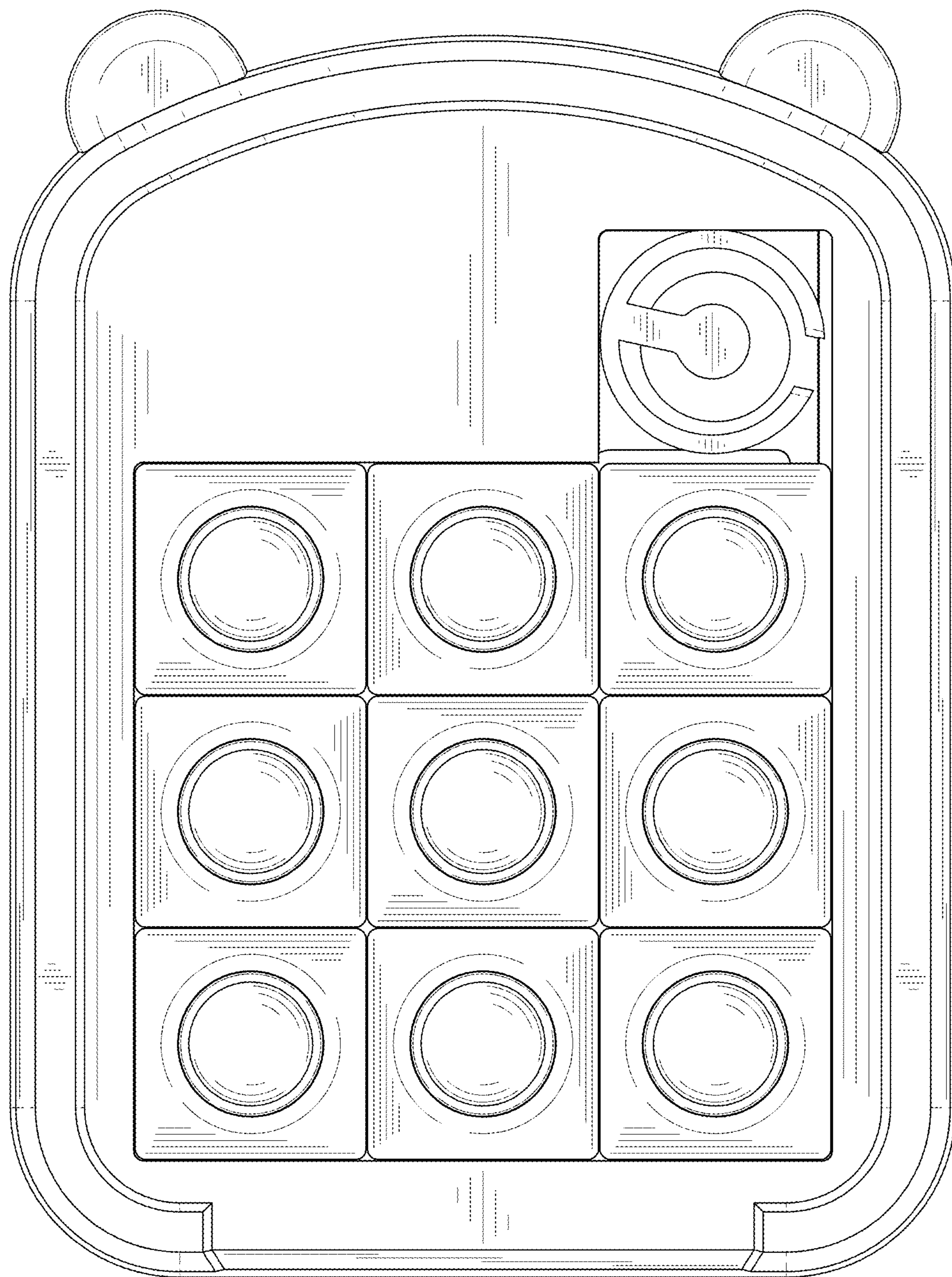


FIG. 3

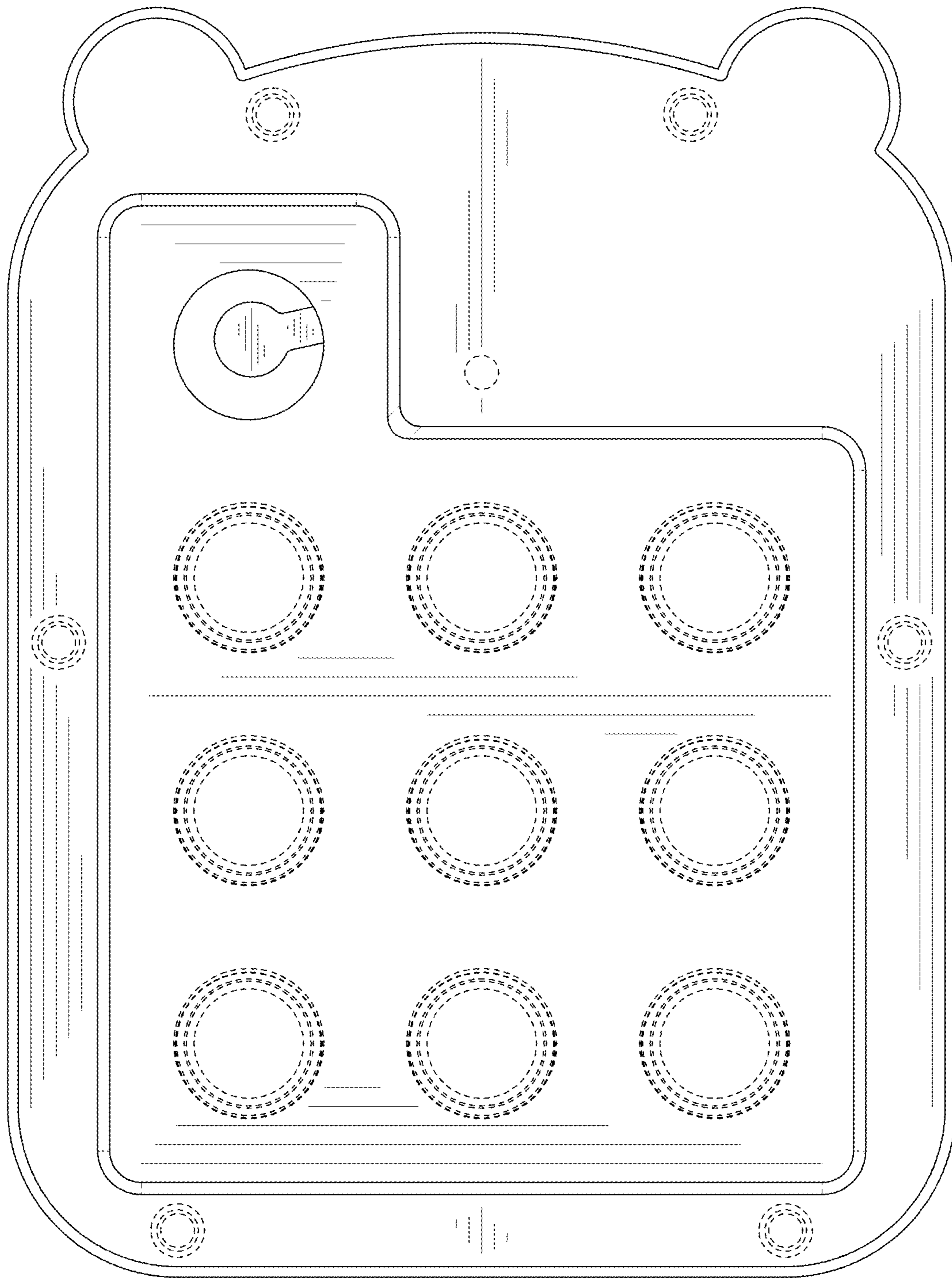


FIG. 4

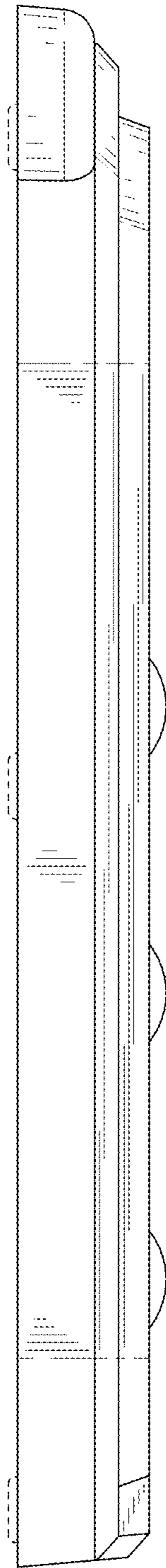


FIG. 5

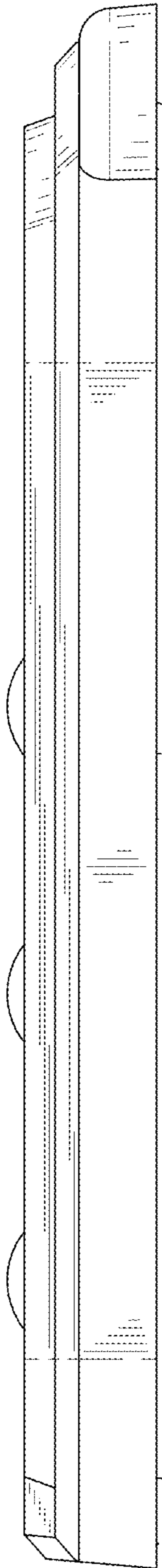


FIG. 6

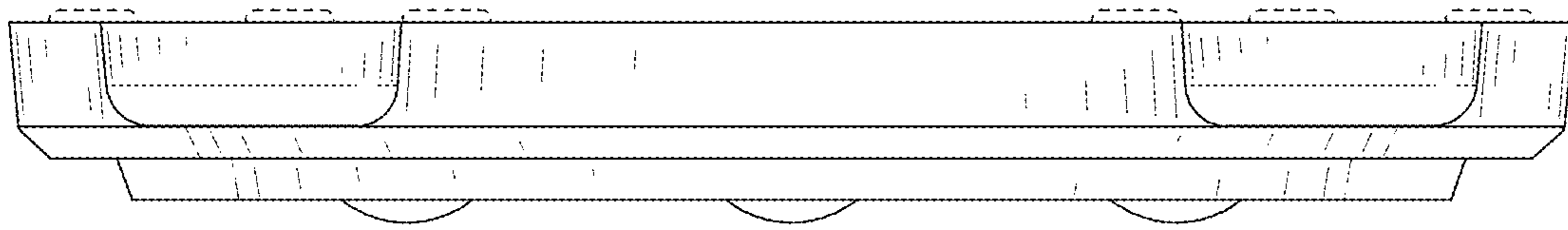


FIG. 7

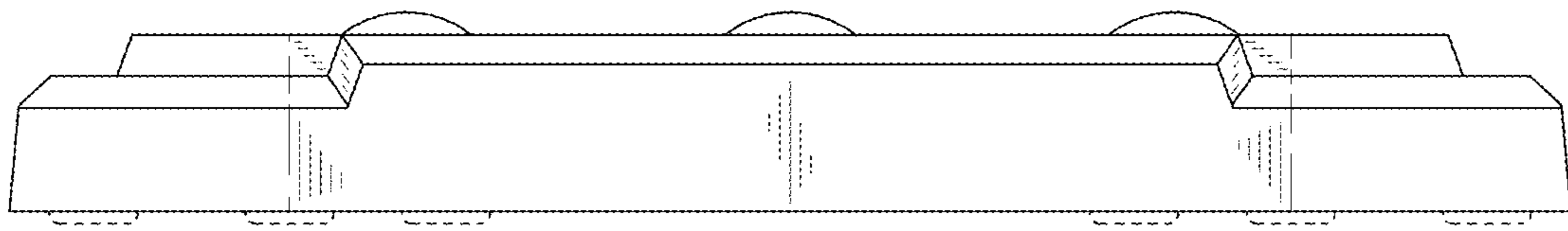


FIG. 8

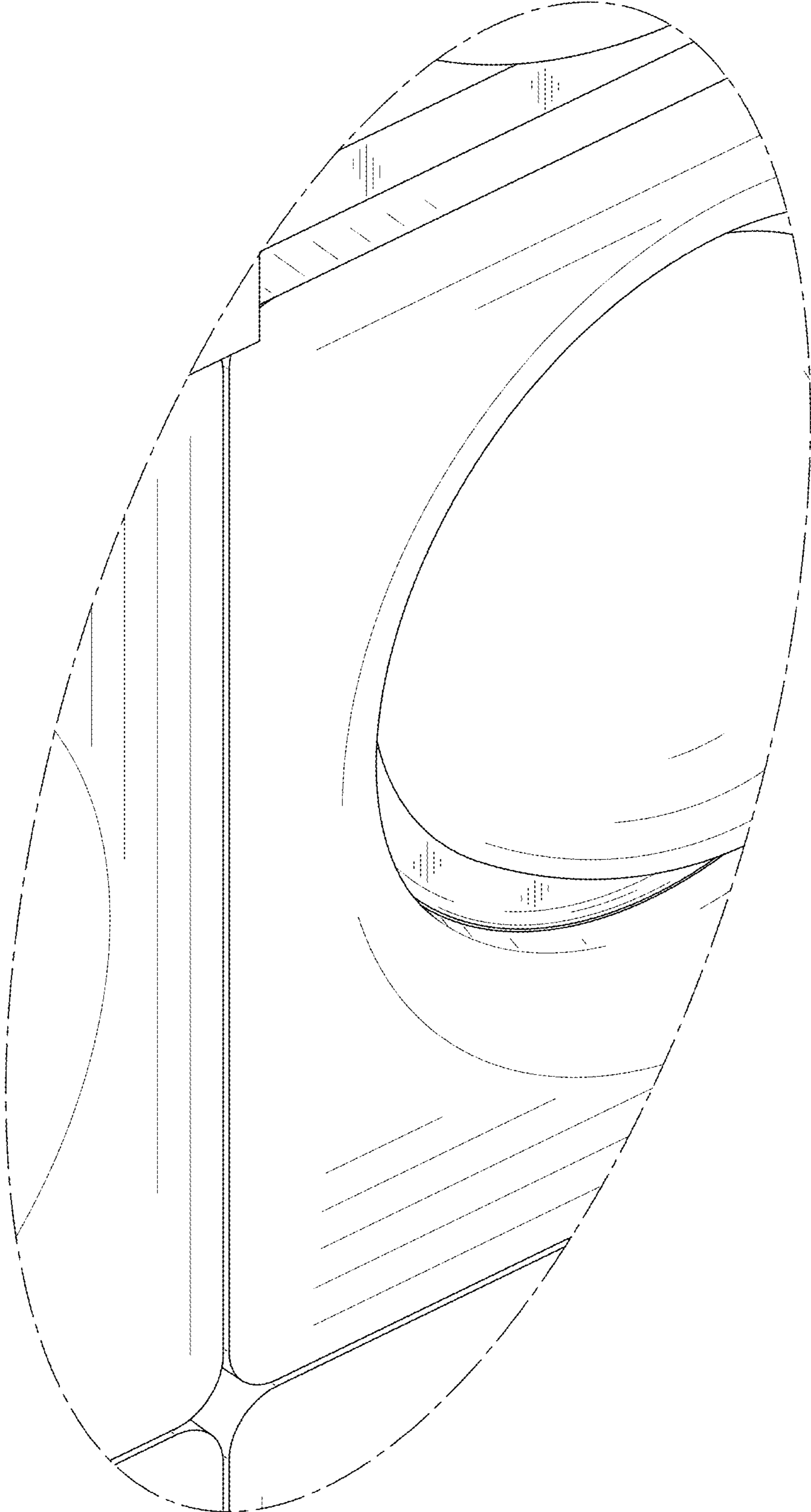


FIG. 9