



US00D961002S

(12) **United States Design Patent** (10) **Patent No.:** **US D961,002 S**
Pearce (45) **Date of Patent:** **** Aug. 16, 2022**

(54) **PROJECTILE LOADER**

FOREIGN PATENT DOCUMENTS

(71) Applicant: **KORE OUTDOOR (US), INC.**, Fort Wayne, IN (US)

CA 2625799 1/2011
DE 876370 5/1953

(Continued)

(72) Inventor: **Mark Roland Pearce**, Lindenwold, NJ (US)

OTHER PUBLICATIONS

(73) Assignee: **KORE OUTDOOR (US), INC.**, Fort Wayne, IN (US)

“Virtue Spire IR2”, posted Apr. 19, 2013, [retrieved Oct. 9, 2021], Retrieved from Internet, <https://amzn.to/3DhxReW>.*

(Continued)

(**) Term: **15 Years**

Primary Examiner — Mehri F Bajoul

(21) Appl. No.: **29/718,908**

(74) *Attorney, Agent, or Firm* — Volpe Koenig

(22) Filed: **Dec. 30, 2019**

(51) **LOC (13) Cl.** **21-01**

(57) **CLAIM**

(52) **U.S. Cl.**
USPC **D21/461; D21/573**

The ornamental design for a projectile loader, as shown and described.

(58) **Field of Classification Search**

DESCRIPTION

USPC D21/461, 567, 570, 571, 572, 274, 575;
D22/100, 101, 103, 104, 108, 109;
124/41.1, 45, 48, 49, 51.1, 55, 56, 69, 70,
124/71, 72, 73, 74, 79
CPC F41B 11/52; F41B 11/70; F41B 11/50;
F41B 11/53; F41B 11/57
See application file for complete search history.

FIG. 1 is a rear perspective view of a projectile loader in accordance with my new design;
FIG. 2 is a front perspective view of the projectile loader as shown in FIG. 1;
FIG. 3 is top plan view of the projectile loader as shown in FIG. 1;
FIG. 4 is a bottom plan view of the projectile loader as shown in FIG. 1;
FIG. 5 is a right elevational view of the projectile loader shown in FIG. 1;
FIG. 6 is a left elevational view of the projectile loader shown in FIG. 1;
FIG. 7 is a front elevational view of the projectile loader shown in FIG. 1; and,
FIG. 8 is a rear elevational view of the projectile loader shown in FIG. 1.
The broken lines shown in the drawings depict portions of the projectile loader that form no part of the claimed design.

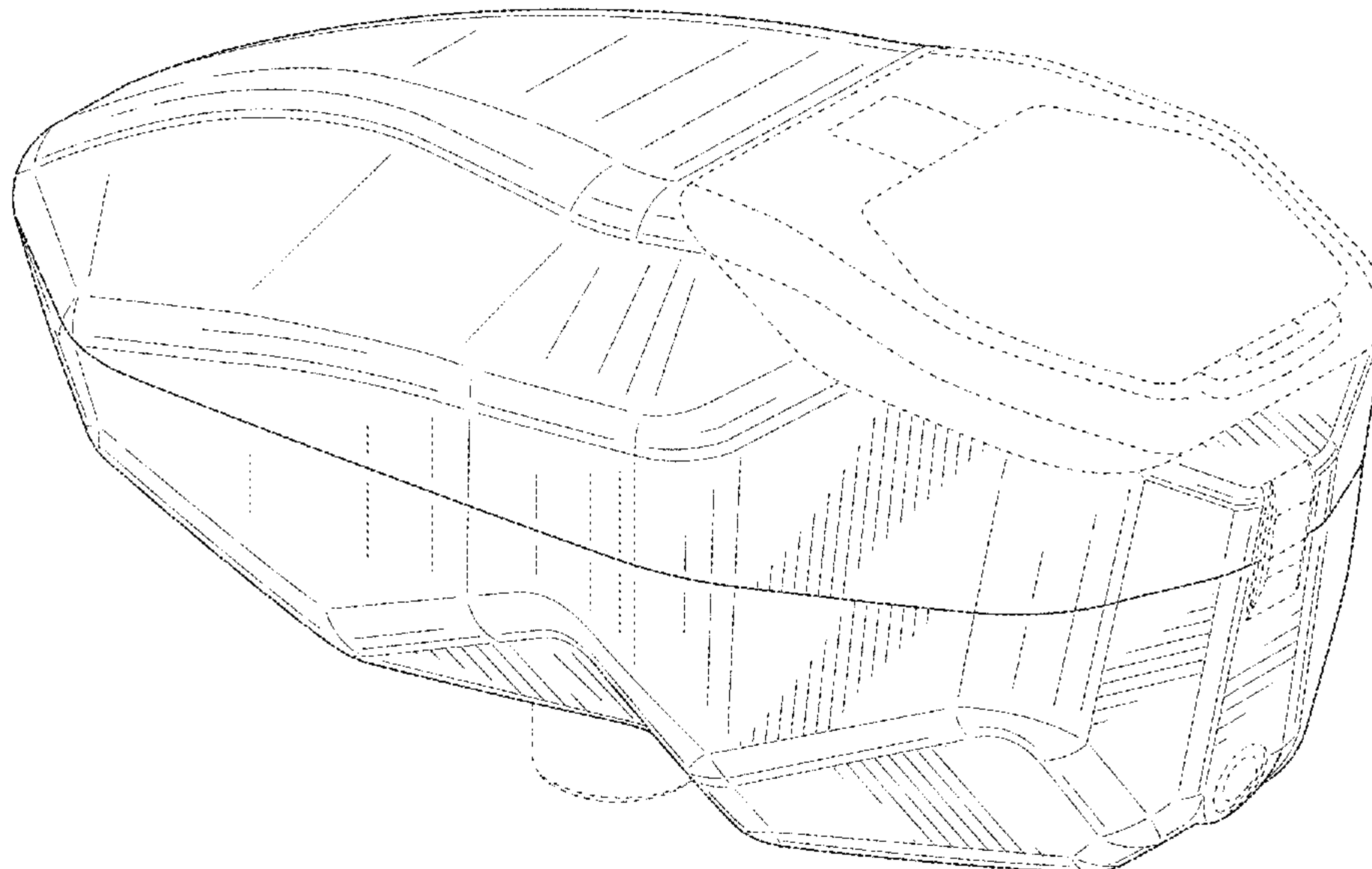
(56) **References Cited**

U.S. PATENT DOCUMENTS

1,332,992 A 3/1920 Moore et al.
1,332,993 A 3/1920 Moore et al.
1,403,689 A 1/1922 Hyndman
1,403,719 A 1/1922 Szepe
1,404,689 A 1/1922 Fairweather
1,743,576 A 1/1930 Smith
1,867,513 A 7/1932 Lahti
1,954,093 A 4/1934 Nelson
2,064,888 A 12/1936 Dickinson
2,307,015 A 1/1943 Boynton
2,338,984 A 1/1944 Van Horn et al.

(Continued)

1 Claim, 8 Drawing Sheets



(56)

References Cited

U.S. PATENT DOCUMENTS

2,357,951 A	9/1944	Hale	4,965,951 A	10/1990	Miller et al.
2,398,263 A	4/1946	Trimbach	4,986,251 A	1/1991	Lilley
2,451,521 A	10/1948	Uglum	4,993,400 A	2/1991	Fitzwater
2,526,969 A	10/1950	Powers	5,042,685 A	8/1991	Moulding, Jr. et al.
2,568,432 A	9/1951	Cook	5,061,222 A	10/1991	Suris
2,639,904 A	5/1953	McMaster et al.	5,063,905 A	11/1991	Farrell
2,641,412 A	6/1953	Byberg	5,070,995 A	12/1991	Schaffer et al.
2,676,633 A	4/1954	Lohre et al.	5,097,816 A	3/1992	Miller
RE23,951 E	2/1955	Graham	5,097,985 A	3/1992	Jones
2,716,973 A	9/1955	Desi	5,166,457 A	11/1992	Lorenzetti
2,900,972 A	8/1959	Marsh et al.	5,233,125 A	8/1993	Bouvier et al.
3,089,476 A	5/1963	Wolverton	5,251,906 A	10/1993	Heller et al.
3,134,301 A	5/1964	Even	5,282,454 A	2/1994	Bell et al.
3,248,008 A	4/1966	Meierjohan	5,322,283 A	6/1994	Ritchie et al.
3,273,553 A	9/1966	Doyle	5,335,579 A	8/1994	David
3,384,354 A	5/1968	Migule et al.	5,337,726 A	8/1994	Wood
3,410,453 A	11/1968	Lawrence	5,353,712 A	10/1994	Olson
3,467,073 A	9/1969	Rhodes	5,361,746 A	11/1994	Szente
3,610,223 A	10/1971	Green	5,383,442 A	1/1995	Tippmann
3,630,118 A	12/1971	Stoner	5,456,153 A	10/1995	Bentley et al.
3,695,246 A	10/1972	Filippi et al.	5,464,208 A	11/1995	Pierce
3,724,437 A	4/1973	Halstead	5,490,493 A	2/1996	Salansky
3,745,687 A	7/1973	Koon, Jr.	5,497,758 A	3/1996	Dobbins et al.
3,766,901 A	10/1973	Cleary et al.	5,505,188 A	4/1996	Williams
3,777,732 A	12/1973	Holloway et al.	5,507,271 A	4/1996	Actor
3,788,298 A	1/1974	Hale	5,511,333 A	4/1996	Farrell
3,789,891 A	2/1974	Bosch	5,520,171 A	5/1996	David
3,807,379 A	4/1974	Vodinh	5,542,570 A	8/1996	Nottingham et al.
3,814,283 A	6/1974	Cioth	5,555,662 A	9/1996	Teetzel
3,844,267 A	10/1974	Mohr	5,561,258 A	10/1996	Bentley et al.
3,855,988 A	12/1974	Sweeton	5,600,083 A	2/1997	Bentley et al.
3,867,921 A	2/1975	Politzer	5,673,812 A	10/1997	Nelson
3,894,657 A	7/1975	Eckmayr	5,675,110 A	10/1997	Gyre et al.
3,930,486 A	1/1976	Kahelin	5,722,383 A	3/1998	Tippmann, Sr. et al.
3,978,841 A	7/1976	Yarur et al.	5,727,538 A	3/1998	Ellis
3,990,426 A	11/1976	Stokes	5,736,720 A	4/1998	Bell et al.
4,021,036 A	5/1977	Nelson et al.	5,749,797 A	5/1998	Sunseri et al.
4,027,646 A	6/1977	Sweeton	5,755,056 A	5/1998	Danner et al.
4,034,644 A	7/1977	Hupp et al.	5,771,875 A	6/1998	Sullivan
4,044,290 A	8/1977	Gullo	5,784,985 A	7/1998	Lodico et al.
4,073,280 A	2/1978	Koehn et al.	5,791,325 A	8/1998	Anderson
4,112,911 A	9/1978	Petrick, Sr.	5,794,606 A	8/1998	Deak
4,116,192 A	9/1978	Scott	5,809,983 A	9/1998	Stoneking
4,148,415 A	4/1979	Florida et al.	5,816,232 A	10/1998	Bell
4,185,824 A	1/1980	Natwick	5,819,715 A	10/1998	Haneda et al.
4,207,857 A	6/1980	Balka, Jr.	5,836,583 A	11/1998	Towers
4,280,697 A	7/1981	Yuasa	5,839,422 A	11/1998	Ferris
4,299,383 A	11/1981	Yuasa	5,881,962 A	3/1999	Schmidt et al.
4,332,097 A	6/1982	Taylor, Jr.	5,887,578 A	3/1999	Backeris et al.
4,391,264 A	7/1983	Abraham et al.	5,913,399 A	6/1999	Takemoto et al.
4,396,193 A	8/1983	Reinhardt et al.	5,947,100 A	9/1999	Anderson
4,481,862 A	11/1984	Wiethoff et al.	5,954,042 A	9/1999	Harvey
4,487,103 A	12/1984	Atchisson	6,032,395 A	3/2000	Bentley et al.
4,502,455 A	3/1985	Stokes	6,055,975 A	5/2000	Gallagher et al.
4,563,999 A	1/1986	Miehlich	6,062,208 A	5/2000	Seefeldt et al.
4,646,709 A	3/1987	Kholin	6,083,105 A	7/2000	Ronin et al.
4,676,137 A	6/1987	Stockton et al.	6,085,735 A	7/2000	Cheek, Jr.
4,695,954 A	9/1987	Rose et al.	6,109,252 A	8/2000	Stevens
4,745,842 A	5/1988	Shou-Fu	6,206,562 B1	3/2001	Eyraud et al.
4,748,600 A	5/1988	Urquhart	6,213,110 B1	4/2001	Christopher et al.
4,759,435 A	7/1988	Cedrone	6,220,237 B1	4/2001	Johnson et al.
4,765,223 A	8/1988	Beckmann	6,305,367 B1	10/2001	Kotsiopoulos et al.
4,770,153 A	9/1988	Edelman	6,311,682 B1	11/2001	Rice et al.
4,817,955 A	4/1989	Hickson et al.	6,325,233 B1	12/2001	Harris
4,819,609 A	4/1989	Tippmann	6,327,953 B1	12/2001	Andresen
4,834,060 A	5/1989	Greene	6,347,621 B1	2/2002	Guthrie
4,850,330 A	7/1989	Nagayoshi	6,349,711 B1	2/2002	Perry et al.
4,896,646 A	1/1990	Kahelin et al.	6,374,819 B1	4/2002	Ming-Hsien
4,923,066 A	5/1990	Ophir et al.	6,408,836 B1	6/2002	Hsien
4,926,742 A	5/1990	Ma et al.	6,408,837 B1	6/2002	Johnson et al.
4,927,051 A	5/1990	Falk et al.	D459,767 S	7/2002	Rushton
4,930,400 A	6/1990	Brandl et al.	6,415,781 B1	7/2002	Perrone
4,936,282 A	6/1990	Dobbins et al.	6,418,919 B1	7/2002	Perrone
4,951,548 A	8/1990	Wixon et al.	6,425,781 B1	7/2002	Bernstein et al.
4,951,644 A	8/1990	Bon	6,460,530 B1	10/2002	Backeris et al.
			6,467,473 B1	10/2002	Kotsiopoulos
			6,468,879 B1	10/2002	Lamure et al.
			6,481,432 B2	11/2002	Rushton et al.
			6,488,019 B2	12/2002	Kotsiopoulos

(56)

References Cited

U.S. PATENT DOCUMENTS

6,502,567 B1	1/2003	Christopher et al.	7,762,246 B2	7/2010	Telford
6,520,854 B1	2/2003	McNally	7,770,569 B2	8/2010	Andresen
6,526,955 B1	3/2003	Juan	7,770,571 B2	8/2010	Tippmann, Jr. et al.
6,588,412 B2	7/2003	Ferrara et al.	7,779,825 B2	8/2010	Estrate
6,591,824 B2	7/2003	Hatcher	7,832,389 B2	11/2010	Christopher
6,601,780 B1	8/2003	Sheng	7,841,328 B2	11/2010	Italia et al.
6,609,511 B2	8/2003	Kotsiopoulos et al.	7,854,220 B1	12/2010	Neumaster
6,615,814 B1	9/2003	Rice et al.	D631,516 S *	1/2011	Kaakkola D21/570
6,644,293 B2	11/2003	Jong	7,913,679 B2	3/2011	Quinn et al.
6,644,295 B2	11/2003	Jones	7,921,834 B2	4/2011	Hamilton
6,644,296 B2	11/2003	Gardner, Jr.	7,921,835 B2	4/2011	Campo et al.
6,666,203 B2	12/2003	Maeda et al.	7,966,999 B2	6/2011	Bosch et al.
6,684,873 B1	2/2004	Anderson et al.	8,006,425 B2	8/2011	Burt et al.
6,701,907 B2	3/2004	Christopher et al.	8,047,191 B2	11/2011	Christopher et al.
6,701,909 B2	3/2004	Tiberius et al.	8,061,342 B2	11/2011	Christopher et al.
6,708,685 B2	3/2004	Masse	8,091,541 B2	1/2012	Andresen
6,722,355 B1	4/2004	Andrews, Jr.	8,100,119 B2	1/2012	Hall
6,725,852 B1	4/2004	Yokota et al.	8,104,462 B2	1/2012	Christopher et al.
6,729,321 B2	5/2004	Ho	8,210,159 B1	7/2012	Neumaster et al.
6,729,497 B2	5/2004	Rice et al.	8,235,030 B2	8/2012	Kaakkola et al.
6,739,322 B2	5/2004	Rice et al.	8,235,031 B2	8/2012	Kim
6,739,323 B2	5/2004	Tippmann, Jr.	8,251,050 B2	8/2012	Christopher et al.
6,742,512 B1	6/2004	Ho et al.	RE43,756 E	10/2012	Christopher et al.
6,752,137 B2	6/2004	Brunette et al.	8,333,181 B1	12/2012	Rice
6,792,933 B2	9/2004	Christopher et al.	8,356,589 B2	1/2013	Karnis
6,802,306 B1	10/2004	Rice	8,375,929 B2	2/2013	Andersen
6,860,258 B2	3/2005	Farrell	8,381,710 B2	2/2013	Nguyen
6,889,680 B2	5/2005	Christopher et al.	8,387,030 B2	3/2013	Christopher et al.
6,899,328 B2	5/2005	Halliburton et al.	8,402,959 B1	3/2013	Nungester
6,915,792 B1	7/2005	Sheng	8,448,631 B2	5/2013	Spicer et al.
6,925,997 B2	8/2005	Sheng	8,561,600 B2	10/2013	Christopher et al.
6,978,776 B2	12/2005	Hamilton	8,746,225 B2	6/2014	Christopher et al.
6,981,493 B1	1/2006	Poteracke	D708,681 S *	7/2014	Italia D21/573
7,000,603 B1	2/2006	Steenbeke	8,928,609 B2	1/2015	Italia et al.
7,017,569 B2	3/2006	Jong	8,950,387 B2	2/2015	Stevens et al.
7,021,302 B2	4/2006	Neumaster et al.	RE45,490 E	4/2015	Italia et al.
7,040,505 B2	5/2006	Hashimoto et al.	D728,698 S *	5/2015	Evans D21/573
7,077,118 B2	7/2006	Lewis	D730,998 S *	6/2015	Evans D21/573
D535,339 S	1/2007	Broersma	9,127,902 B2	9/2015	Macy
7,159,585 B2	1/2007	Quinn et al.	9,212,864 B2	12/2015	Christopher et al.
7,210,473 B2	5/2007	Jong	D790,635 S *	6/2017	Horikoshi D21/461
7,216,641 B2	5/2007	Friesen et al.	9,733,042 B2	8/2017	Ming et al.
7,222,617 B2	5/2007	Andresen	D816,781 S *	5/2018	Horikoshi D21/461
D544,047 S	6/2007	Bell et al.	9,970,733 B2	5/2018	Christopher et al.
7,231,914 B2	6/2007	Hatcher	D825,677 S *	8/2018	Kitamura D21/461
7,234,456 B2	6/2007	Andresen	10,240,888 B2	3/2019	Italia et al.
7,270,120 B2	9/2007	Broersma et al.	10,502,520 B2	12/2019	Spurlock
7,270,121 B2	9/2007	Lubben	D908,176 S *	1/2021	Schultheis D21/461
7,322,347 B2	1/2008	Broersma	2001/0029937 A1	10/2001	Hatcher
7,322,348 B2	1/2008	Chen	2001/0039945 A1	11/2001	Rushton et al.
7,343,909 B2	3/2008	Christopher et al.	2002/0014230 A1	2/2002	Christopher et al.
D567,302 S	4/2008	Choi	2002/0020402 A1	2/2002	Kotsiopoulos
D567,303 S	4/2008	Neumaster	2002/0059927 A1	5/2002	Woods, Sr.
7,357,129 B2	4/2008	Neumaster et al.	2002/0059928 A1	5/2002	Ferrara et al.
7,357,130 B2	4/2008	Broersma	2002/0092513 A1	7/2002	Christopher et al.
D572,318 S	7/2008	Broersma	2002/0112713 A1	8/2002	Backeris et al.
7,428,899 B2	9/2008	Andersen	2002/0117159 A1	8/2002	Kotsiopoulos et al.
7,441,556 B2	10/2008	Friesen et al.	2002/0170552 A1	11/2002	Gardner, Jr.
7,445,002 B2	11/2008	Christopher et al.	2002/0175465 A1	11/2002	Halliburton et al.
7,458,370 B2	12/2008	Chen	2003/0005918 A1	1/2003	Jones
D584,776 S	1/2009	Stevens	2003/0010330 A1	1/2003	Jong
7,487,769 B2	2/2009	Lubben	2003/0024520 A1	2/2003	Dobbins
7,490,597 B2	2/2009	Hatcher	2003/0047173 A1	3/2003	Juan
7,527,049 B2	5/2009	Sheng	2003/0047174 A1	3/2003	Tiberius et al.
D597,152 S *	7/2009	Kaakkola D21/573	2003/0079731 A1	5/2003	Dobbins
7,568,478 B2	8/2009	Hedberg	2003/0121927 A1	7/2003	Rice et al.
7,591,260 B1	9/2009	Mu	2003/0127084 A1	7/2003	Tippmann, Jr.
D602,537 S	10/2009	Stevens	2003/0127085 A1	7/2003	Brunette et al.
D604,371 S	11/2009	Stevens	2003/0131835 A1	7/2003	Rice et al.
7,617,817 B1	11/2009	Kulp	2003/0168052 A1	9/2003	Masse
7,624,726 B2	12/2009	Wood	2003/0168053 A1	9/2003	Farrell
7,654,255 B2	2/2010	Spicer	2003/0188730 A1	10/2003	Maeda et al.
7,673,627 B2	3/2010	Higgins et al.	2004/0000300 A1	1/2004	Ho
7,694,669 B2	4/2010	Campo	2004/0074487 A1	4/2004	Christopher et al.
7,699,047 B2	4/2010	Tippmann, Jr. et al.	2004/0074489 A1	4/2004	Neumaster et al.
			2004/0112356 A1	6/2004	Hatcher
			2004/0134475 A1	7/2004	Jong
			2004/0194772 A1	10/2004	Hamilton
			2004/0211402 A1	10/2004	Christopher et al.

(56)

References Cited

U.S. PATENT DOCUMENTS

2004/0216728 A1 11/2004 Jong
 2004/0245276 A1 12/2004 Hashimoto et al.
 2005/0028801 A1 2/2005 Lewis
 2005/0121015 A1 6/2005 Postorivo, Jr.
 2005/0166904 A1 8/2005 Friesen et al.
 2005/0188973 A1 9/2005 Monks
 2005/0188974 A1 9/2005 Pedicini et al.
 2005/0188978 A1 9/2005 Tiberius et al.
 2005/0217653 A1 10/2005 Christopher et al.
 2005/0241628 A1 11/2005 Hatcher
 2005/0274370 A1 12/2005 Lubben
 2005/0274371 A1 12/2005 Lubben
 2005/0284456 A1 12/2005 Chipley
 2005/0284457 A1 12/2005 Hatcher
 2006/0005822 A1 1/2006 Quinn et al.
 2006/0005823 A1 1/2006 Quinn et al.
 2006/0032488 A1 2/2006 Telford
 2006/0037597 A1 2/2006 Wood
 2006/0042614 A1 3/2006 Broersma
 2006/0054151 A1* 3/2006 Christopher F41B 11/53
 124/48
 2006/0081233 A1 4/2006 Andresen
 2006/0081234 A1 4/2006 Andresen
 2006/0086347 A1 4/2006 Hedberg
 2006/0124118 A1 6/2006 Dobbins
 2006/0130821 A1 6/2006 Hamilton
 2006/0157040 A1 7/2006 Broersma et al.
 2006/0157041 A1 7/2006 Friesen
 2006/0196489 A1 9/2006 Campo
 2006/0249131 A1 11/2006 Broersma
 2006/0254572 A1 11/2006 Hall
 2007/0012303 A1 1/2007 Christopher et al.
 2007/0012304 A1 1/2007 van Dorsser et al.
 2007/0017494 A1 1/2007 Andresen
 2007/0017495 A1 1/2007 Andresen
 2007/0023025 A1 2/2007 Neumaster et al.
 2007/0056573 A1 3/2007 Campo
 2007/0062506 A1 3/2007 Bell
 2007/0101981 A1 5/2007 Chen
 2007/0113834 A1 5/2007 Spicer
 2007/0137631 A1 6/2007 Christopher
 2007/0175463 A1 8/2007 Higgins et al.
 2007/0181117 A1 8/2007 Tippmann, Jr. et al.
 2007/0215137 A1 9/2007 Jones et al.
 2007/0246479 A1 10/2007 Andresen
 2007/0256676 A1 11/2007 Orvis et al.
 2008/0017178 A1 1/2008 Marques et al.
 2008/0047535 A1 2/2008 Handel
 2008/0047536 A1 2/2008 Chen
 2008/0047537 A1 2/2008 Kulp et al.
 2008/0053422 A1 3/2008 Estrate
 2008/0087264 A1 4/2008 Postorivo
 2008/0141990 A1 6/2008 Andresen
 2008/0178859 A1 7/2008 Moore et al.
 2008/0216805 A1 9/2008 Christopher et al.
 2008/0257327 A1 10/2008 Monks
 2008/0295818 A1 12/2008 Styles et al.
 2009/0000608 A1 1/2009 Christopher et al.
 2009/0025700 A1 1/2009 Andersen
 2009/0056691 A1 3/2009 Christopher et al.
 2009/0133680 A1 5/2009 Christopher et al.
 2009/0173330 A1 7/2009 Akins
 2009/0178659 A1 7/2009 Spicer
 2009/0194088 A1 8/2009 Tippmann, Jr. et al.
 2009/0241929 A1 10/2009 Italia et al.
 2010/0095942 A1* 4/2010 Kaakkola F41B 11/57
 124/48
 2010/0083654 A1 5/2010 Neumaster
 2010/0258101 A1 10/2010 Campo et al.
 2011/0067681 A1 3/2011 Stevens et al.
 2011/0083654 A1 4/2011 Galinson
 2011/0186025 A1 8/2011 Spicer et al.
 2011/0220086 A1 9/2011 Bosch et al.
 2011/0290226 A1* 12/2011 Kaakkola F41B 11/52
 124/49

2012/0042862 A1 2/2012 Christopher et al.
 2012/0125303 A1 5/2012 Christopher et al.
 2012/0227722 A1 9/2012 Bell
 2012/0272940 A1 11/2012 Christopher et al.
 2014/0041646 A1* 2/2014 Middlebrook F41B 11/53
 124/51.1
 2014/0209082 A1 7/2014 Stevens
 2017/0082391 A1* 3/2017 Italia B65D 21/083
 2017/0307326 A1* 10/2017 Italia F41B 11/52
 2020/0370861 A1* 11/2020 Wood F41B 11/52
 2021/0156641 A1* 5/2021 Pearce F41B 11/53

FOREIGN PATENT DOCUMENTS

DE	2035097	1/1972
DE	3721527	1/1989
DE	4343870	6/1994
DE	4343871	6/1995
DE	19922589	12/2000
EP	0075970	4/1983
EP	1054228	11/2000
EP	1653189	5/2006
FR	921527	5/1947
GB	470201	8/1937
GB	551077	2/1943
GB	2056635	3/1981
GB	2322438	8/1998
JP	1179898	7/1989
JP	6-325233	11/1994
TW	M255391	1/2005
WO	98/13660	4/1998
WO	00/26000	3/2000
WO	01/44745	6/2001
WO	02/42708	5/2002
WO	03/087698	10/2003
WO	07/033309	3/2007
WO	07/035601	3/2007
WO	07/044546	4/2007
WO	07/044822	4/2007
WO	07/098554	9/2007
WO	08/104061	4/2008
WO	09/009748	1/2009
WO	09/015393	1/2009

OTHER PUBLICATIONS

“Virtue Spire IR2 Protoyz”, posted Jan. 7, 2021, [retrieved Oct. 9, 2021], Retrieved from Internet, <https://www.youtube.com/watch?v=MjlyJmKgg3k>.*
 Warpig—World And Regional Paintball Information Guide, <http://www.warpig.com/paintball/technical/loaders/halo/index.shtml>, warpig.com, Odyssey Readies Halo for Production, By Bill Mills, Jun. 2001, pp. 1 to 6.
 Warpig—World And Regional Paintball Information Guide, <http://www.warpig.com/paintball/technical/loaders/halo/review.shtml>, warpig.com, Odyssey Halo By Bill Mills, Dec. 2001, pp. 1 to 7.
 Odyssey Halo B Paintball Hopper Review, <http://www.paintball-gun-review.com/hoppar-reviews/odyssey-halo-b> . . . , Paintball Gun Review, Odyssey Halo B Paintball Hopper Review, 2004 Paintball-Gun-Review.com, pp. 1 to 3.
www.odysseypaintball.com, <http://web.archive.org/web/20030205112543/http://www.odysseypain> . . . , Odyssey Paintball Products, Understanding Halo B, pp. 1 to 3.
 Warpig—World And Regional Paintball Information Guide, <http://www.warpig.com/paintball/technical/loaders/evlution/evlution> . . . eVLution 2 Sneak Preview, by Bill Mills, Aug. 2001, pp. 1 to 4.
 Warpig—World And Regional Paintball Information Guide, <http://www.warpig.com/paintball/technical/loaders/evlution/index.shtml> Brass Eagle’s eVLution Loader, by Bill Mills, Aug. 2000, pp. 1 to 7.
 Warpig—World And Regional Paintball Information Guide, <http://www.warpig.com/paintball/technical/labs/revytimes/index/shtml> Warpig Ballistic Labs Report: Revolution Response Times, by Bill Mills, copyright 1992-2010, pp. 1 to 4.

(56)

References Cited

OTHER PUBLICATIONS

Warpig—World and Regional Paintball Information Guide <http://www.warpig.com/paintball/technical/loaders/lineup> Warpig Ballistic Labs Loader Speed Comparison, by Bill Mills, Sep. 2001, 8 pages.

FT-12 Owner's Manual, Ver. May 2012, Manufactured by Tippmann (24 pages).

V-Max+ Paintball Loader Owners Manual, Ver. 4, Manufactured by Valken Incorporated (5 pages).

Level High Performance Loader System User Manual, Manufactured by G.I. Sportz (52 pages).

* cited by examiner

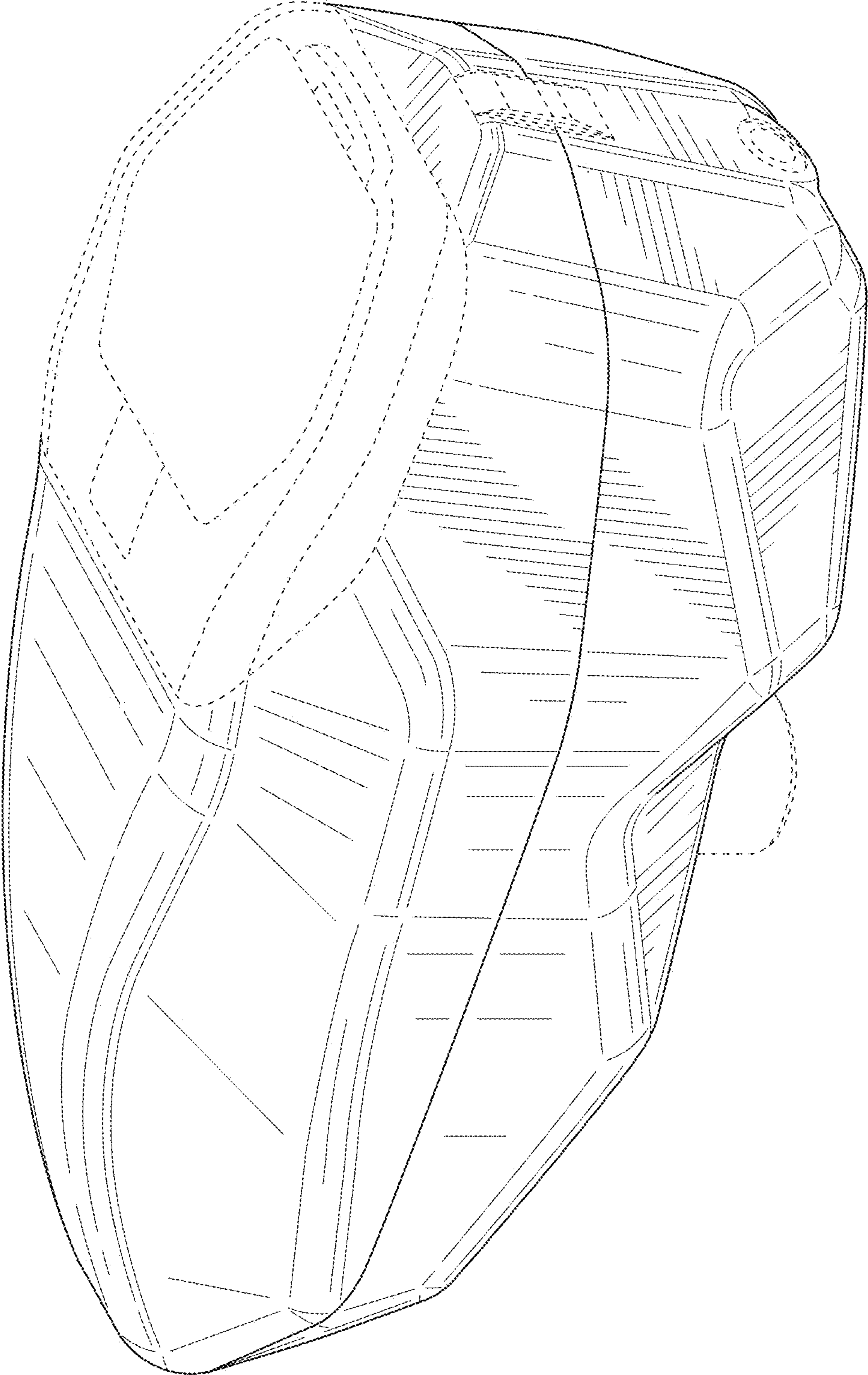


FIG. 1

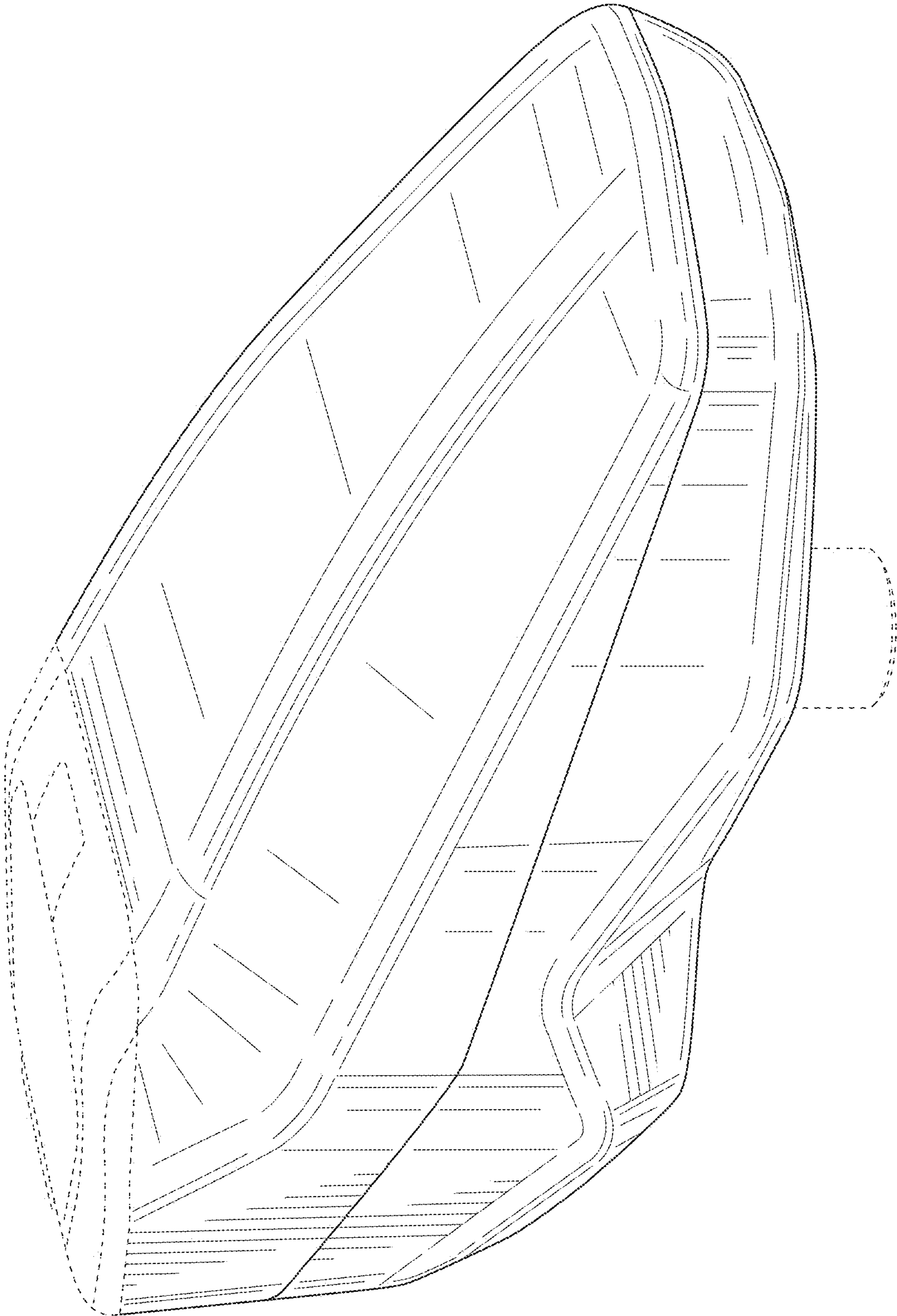


FIG. 2

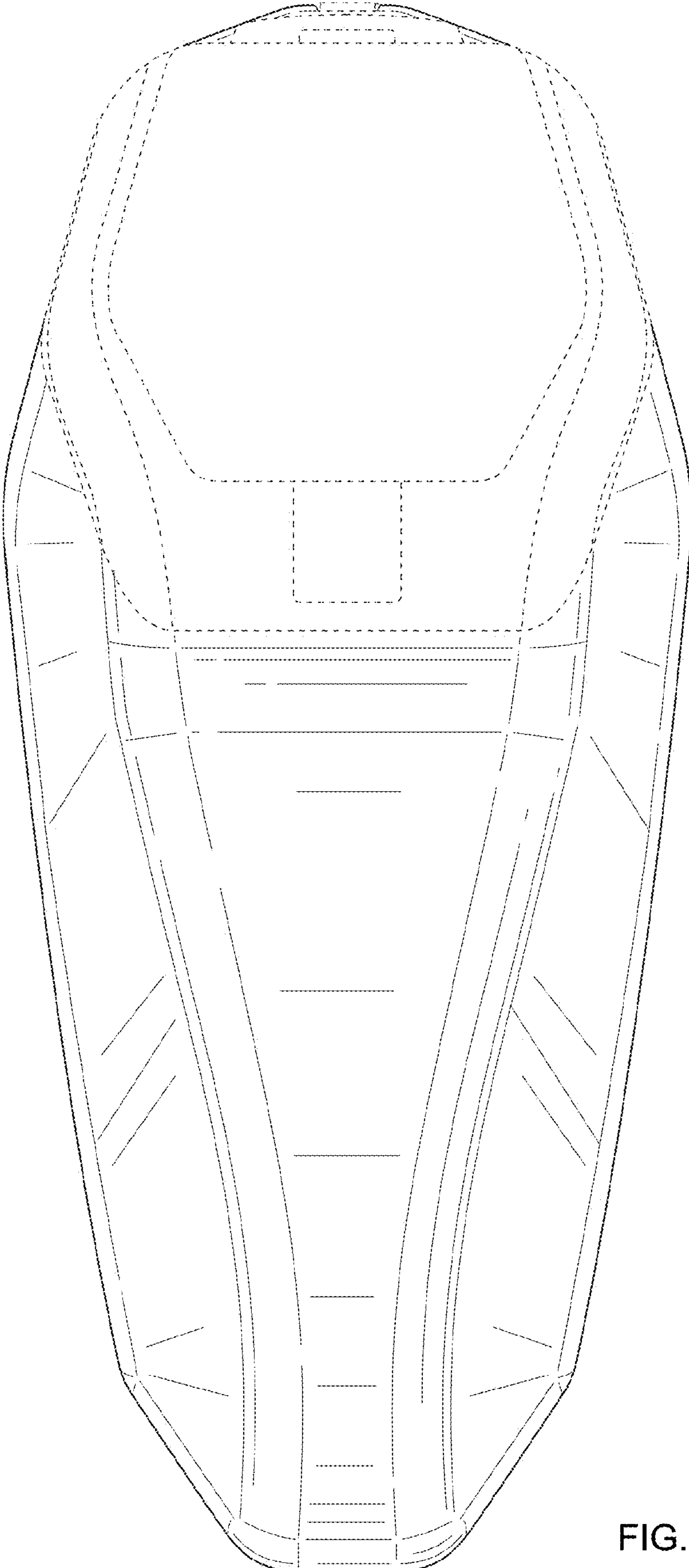


FIG. 3

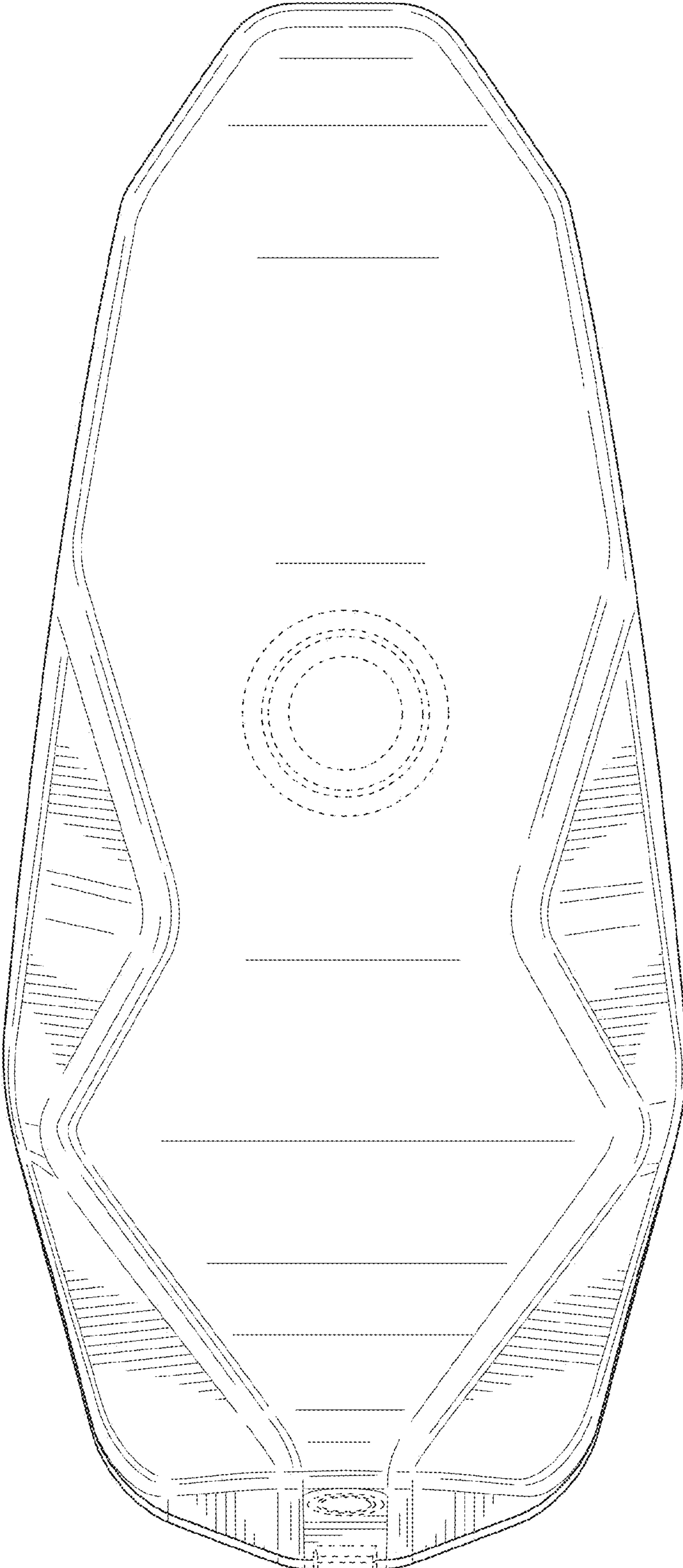


FIG. 4

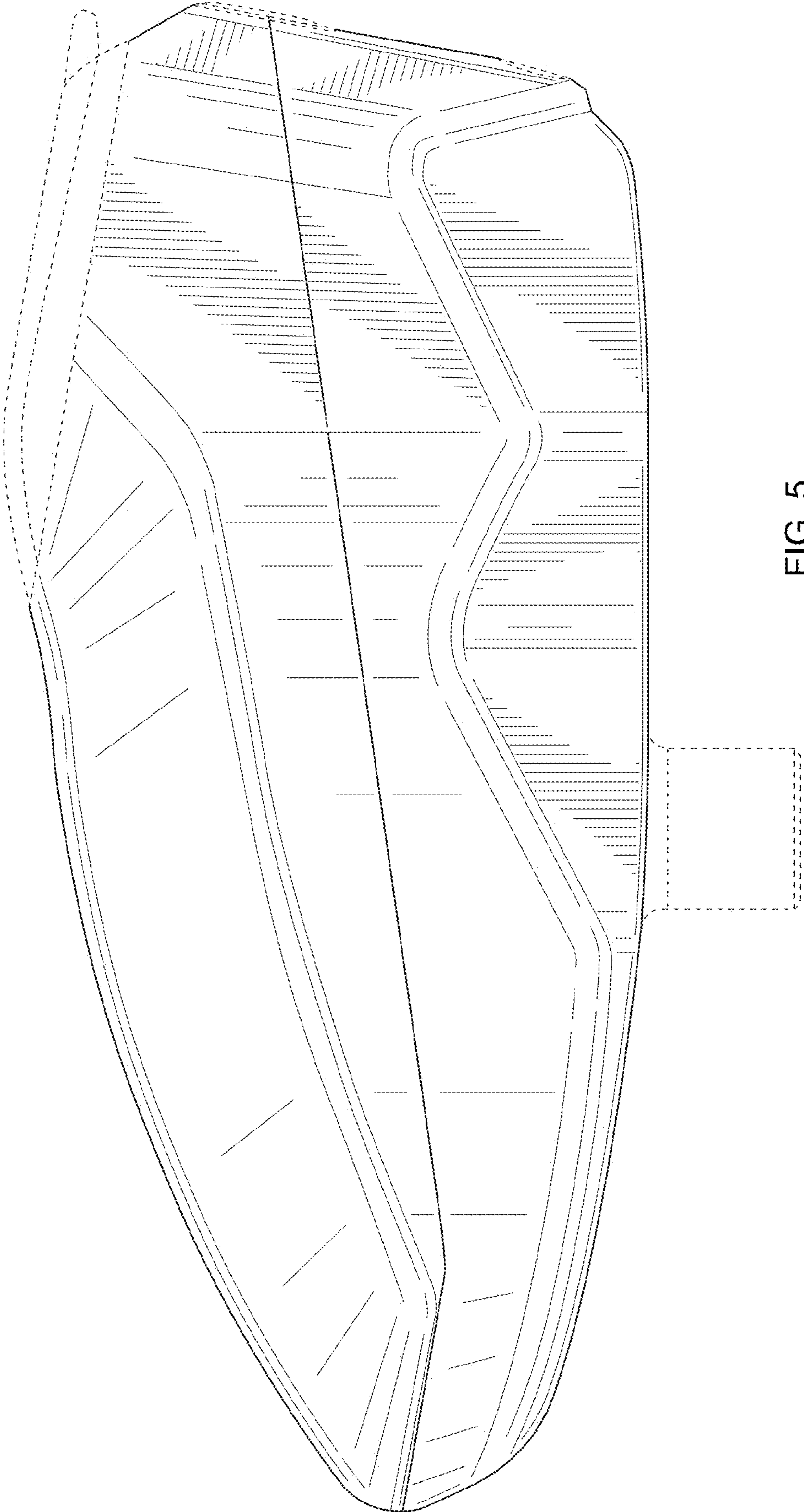


FIG. 5

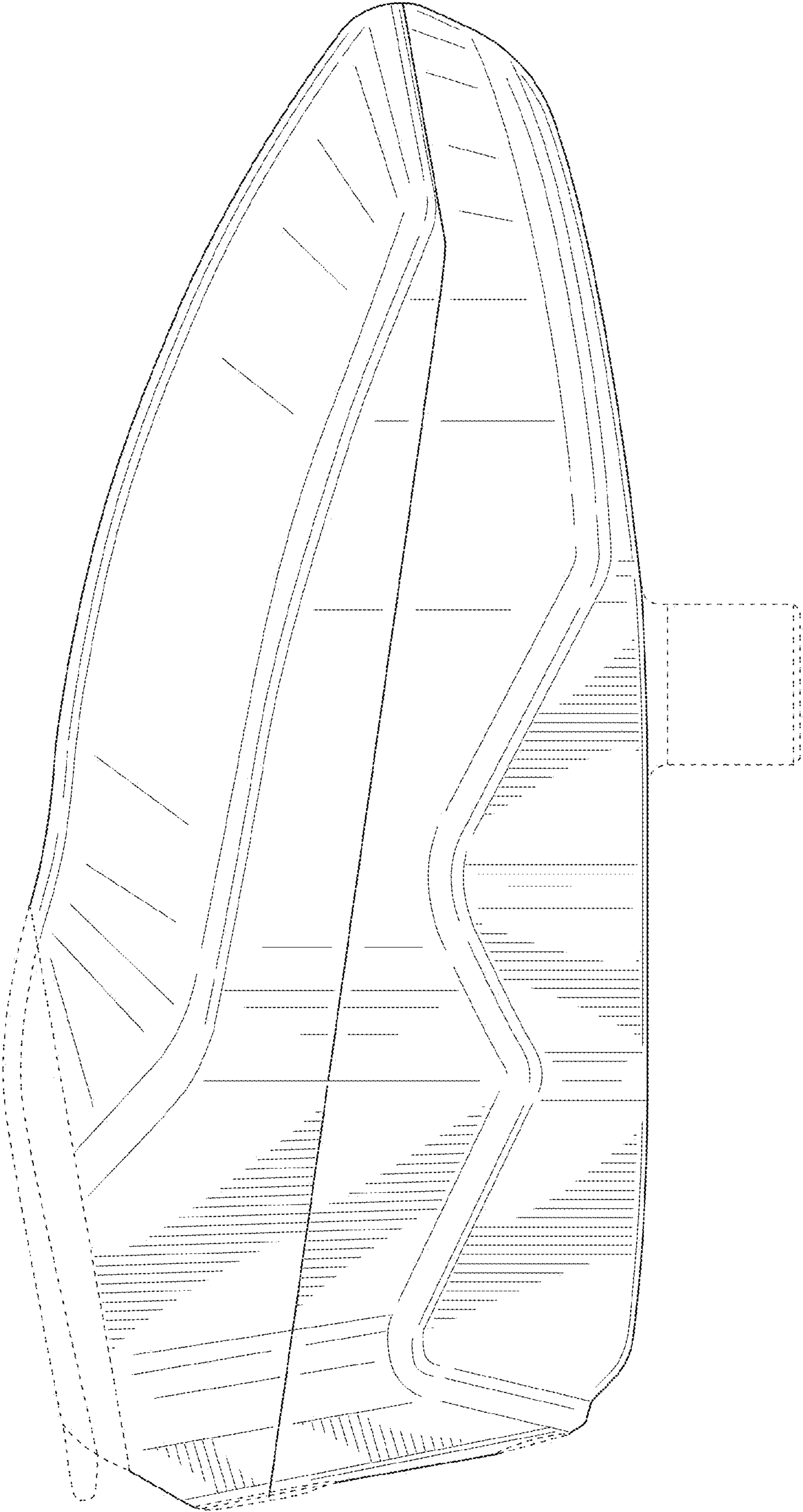


FIG. 6

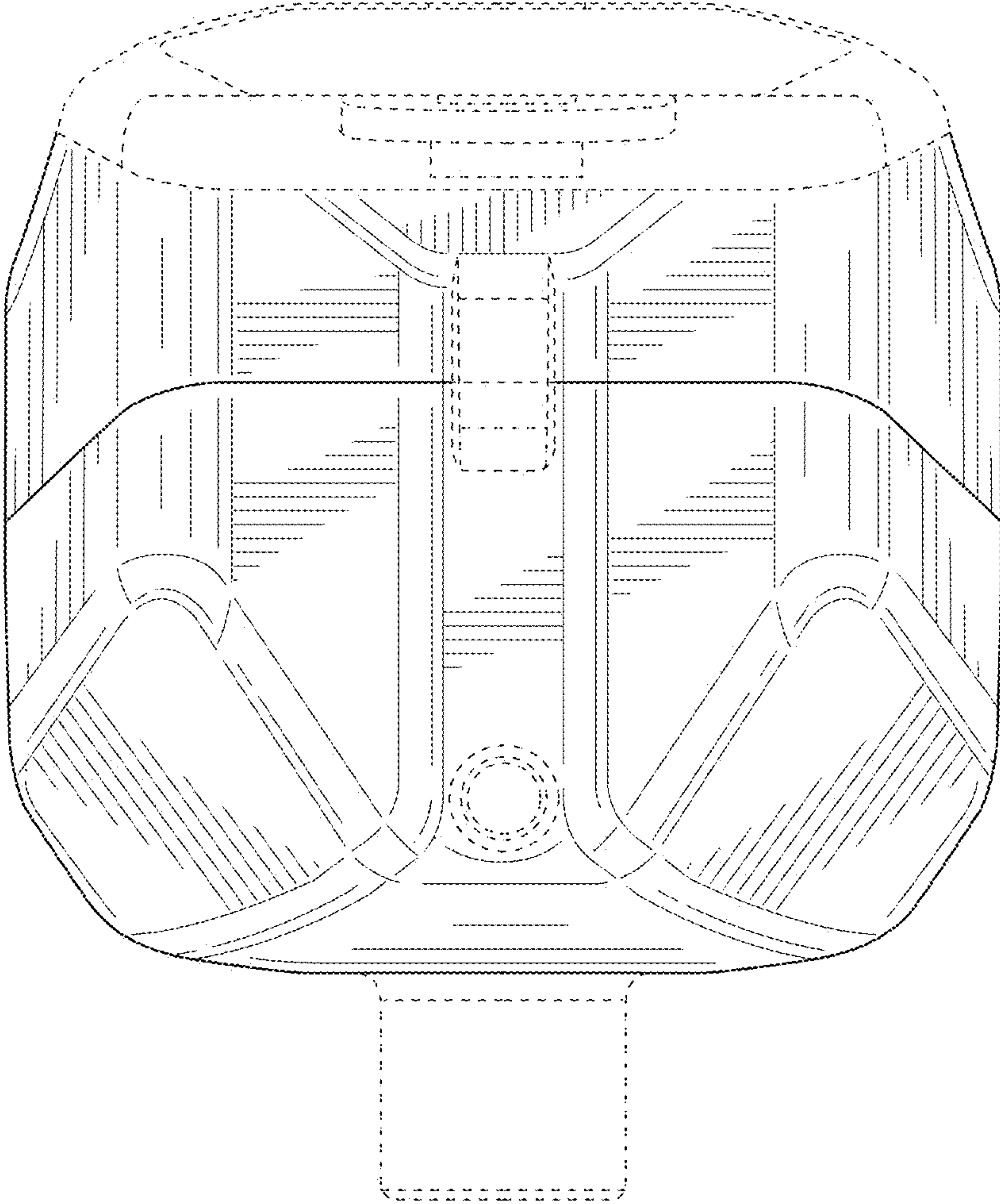


FIG. 7

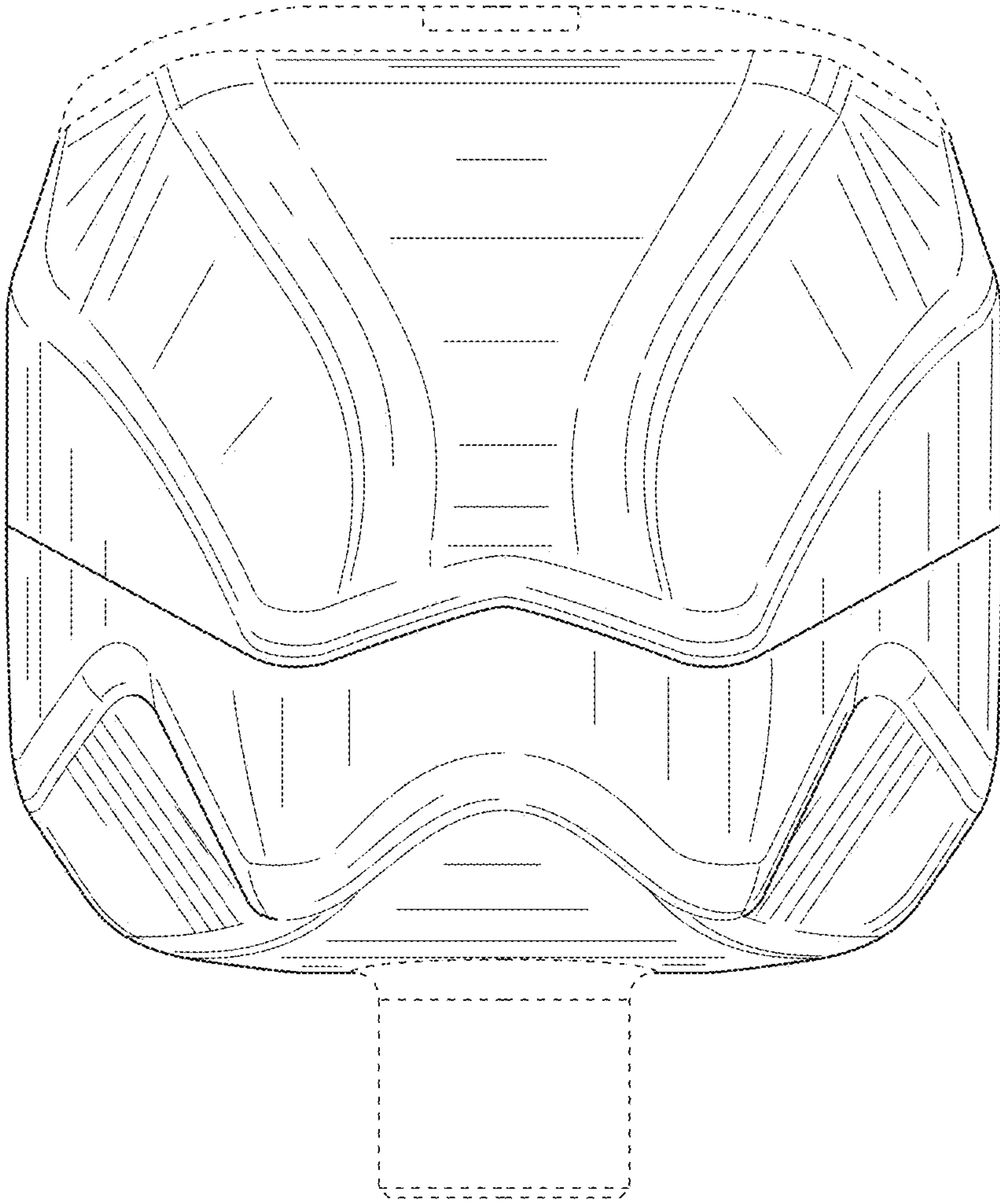


FIG. 8