



US00D961001S

(12) **United States Design Patent** (10) **Patent No.:** **US D961,001 S**  
**Bando et al.** (45) **Date of Patent:** **\*\* Aug. 16, 2022**

(54) **ACCESSORY FOR SPINNING TOP TOY**

FOREIGN PATENT DOCUMENTS

(71) Applicant: **TOMY COMPANY, LTD.**, Tokyo (JP)

JP D1666159 \* 8/2020

(72) Inventors: **Yohei Bando**, Tokyo (JP); **Hiroyuki Matsukawa**, Tokyo (JP)

JP D1666181 \* 8/2020

WO WO-D205913-004 \* 3/2020

(73) Assignee: **TOMY COMPANY, LTD.**, Tokyo (JP)

OTHER PUBLICATIONS

(\*\*) Term: **15 Years**

Battling Tops Burst B-175 Booster Lucifer The End.Kou.Dr Superking Layer System, available on Amazon.com, oldest customer review Jul. 28, 2020, available URL: <https://www.amazon.com/Battling-Booster-Lucifer-End-Kou-Dr-Superking/dp/B08CZYQK7T/> (Year: 2020).\*

(21) Appl. No.: **29/764,495**

(22) Filed: **Dec. 30, 2020**

(Continued)

(30) **Foreign Application Priority Data**

Jul. 9, 2020 (JP) ..... 2020-014143

*Primary Examiner* — Dana K Weiland

(51) **LOC (13) Cl.** ..... **21-01**

*Assistant Examiner* — Emily Anna Saunders

(52) **U.S. Cl.**

(74) *Attorney, Agent, or Firm* — Oliff PLC

USPC ..... **D21/460**

(58) **Field of Classification Search**

(57) **CLAIM**

USPC ..... D21/454, 455, 459, 460–464, 385, D21/436–443

The ornamental design for an accessory for spinning top toy, as shown and described.

CPC .. A63H 1/00–10; A63H 1/12; A63H 1/22–26; A63F 9/16; A63F 5/041

**DESCRIPTION**

See application file for complete search history.

FIG. 1 is a front elevational view of the accessory for spinning top toy, showing the new design; FIG. 2 is a rear elevational view thereof; FIG. 3 is a left-side elevational view thereof; FIG. 4 is a right-side elevational view thereof; FIG. 5 is a top plan view thereof; FIG. 6 is a bottom plan view thereof; FIG. 7 is a front, right-side, top perspective view thereof; FIG. 8 is a rear, left-side, bottom perspective view thereof; FIG. 9 is a front, right-side, top disassembled perspective view thereof; and, FIG. 10 is a rear, left-side, bottom disassembled perspective view thereof.

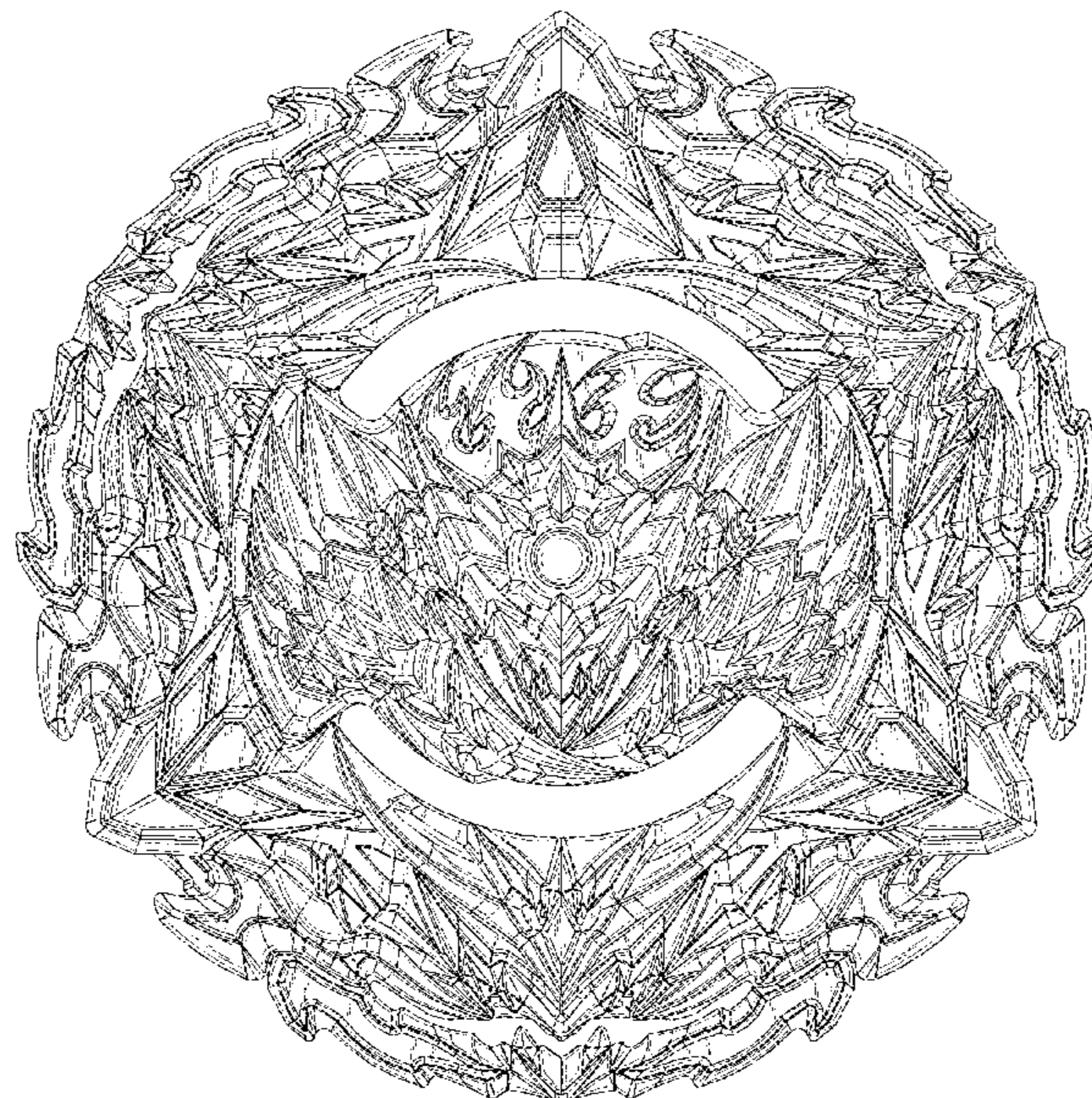
(56) **References Cited**

U.S. PATENT DOCUMENTS

D155,015 S	*	8/1949	Krapp	.....	D21/460
D358,659 S	*	5/1995	Rohrabacher	.....	D21/443
D464,088 S	*	10/2002	Hu	.....	D21/443
D580,112 S	*	11/2008	Stiles	.....	D21/713
D677,739 S	*	3/2013	Wojtaszek	.....	D21/443
D820,916 S	*	6/2018	Zawitz	.....	D21/443
D839,967 S	*	2/2019	Horikoshi	.....	D21/460
D841,099 S	*	2/2019	Matsukawa	.....	D21/460
D862,604 S	*	10/2019	Matsukawa	.....	D21/460
D862,608 S	*	10/2019	Yamasaki	.....	D21/460
D875,845 S	*	2/2020	Muraki	.....	D21/460

(Continued)

**1 Claim, 10 Drawing Sheets**



(56)

**References Cited**

## U.S. PATENT DOCUMENTS

D883,399 S \* 5/2020 He ..... D21/460  
D892,939 S \* 8/2020 Matsukawa ..... D21/460  
D892,942 S \* 8/2020 Muraki ..... D21/460  
D910,768 S \* 2/2021 Matsukawa ..... D21/460  
D910,769 S \* 2/2021 Matsukawa ..... D21/460  
D910,770 S \* 2/2021 Matsukawa ..... D21/460  
D910,772 S \* 2/2021 Muraki ..... D21/460  
D910,773 S \* 2/2021 Muraki ..... D21/460  
D910,774 S \* 2/2021 Bando ..... D21/460  
D912,160 S \* 3/2021 Muraki ..... D21/460  
D912,161 S \* 3/2021 Hama ..... D21/460  
D912,162 S \* 3/2021 Muraki ..... D21/460  
D914,810 S \* 3/2021 Hama ..... D21/460  
2022/0016536 A1 \* 1/2022 Muraki ..... A63H 1/02

## OTHER PUBLICATIONS

Lucifer the End Emperor Drift B-175, available on YouTube.com, date posted Nov. 12, 2020, [site visited Nov. 19, 2021], available URL: [https://www.youtube.com/watch?v=301569i\\_fkU](https://www.youtube.com/watch?v=301569i_fkU) (Year: 2020).\*

Beyblade News—Lucifer End Unboxing, available on YouTube.com, date posted Nov. 17, 2020, [site visited Nov. 19, 2021], available URL: <https://www.youtube.com/watch?v=S8bCET-a12U> (Year: 2020).\*

New Lucifer The End Drift Kou, available on YouTube.com, date posted Nov. 17, 2020, [site visited Nov. 19, 2021], available URL: <https://www.youtube.com/watch?v=xiGqsSKMfSU> (Year: 2020).\*

Lucifer The End Kou Drift, available at beyblade.fandom.com, Japanese release date Nov. 28, 2020, [site visited Nov. 19, 2021], available URL: [https://beyblade.fandom.com/wiki/Lucifer\\_The\\_End\\_Kou\\_Drift](https://beyblade.fandom.com/wiki/Lucifer_The_End_Kou_Drift) (Year: 2020).\*

\* cited by examiner



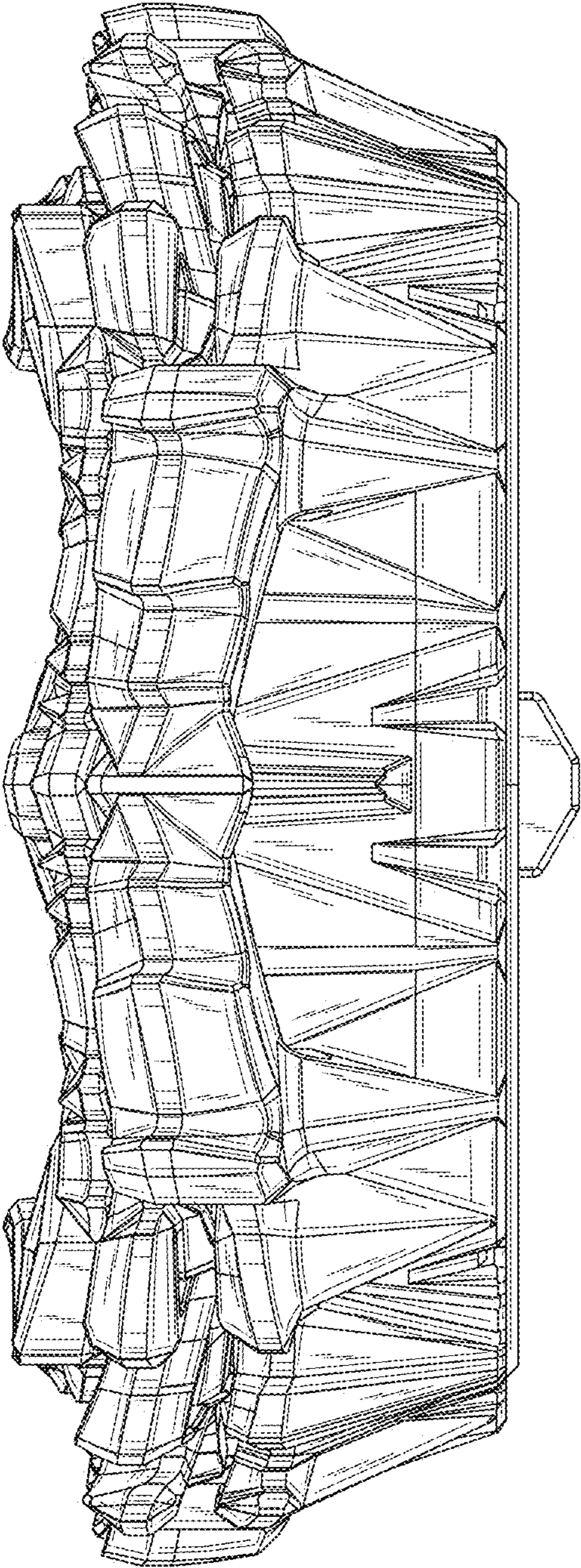


FIG. 1

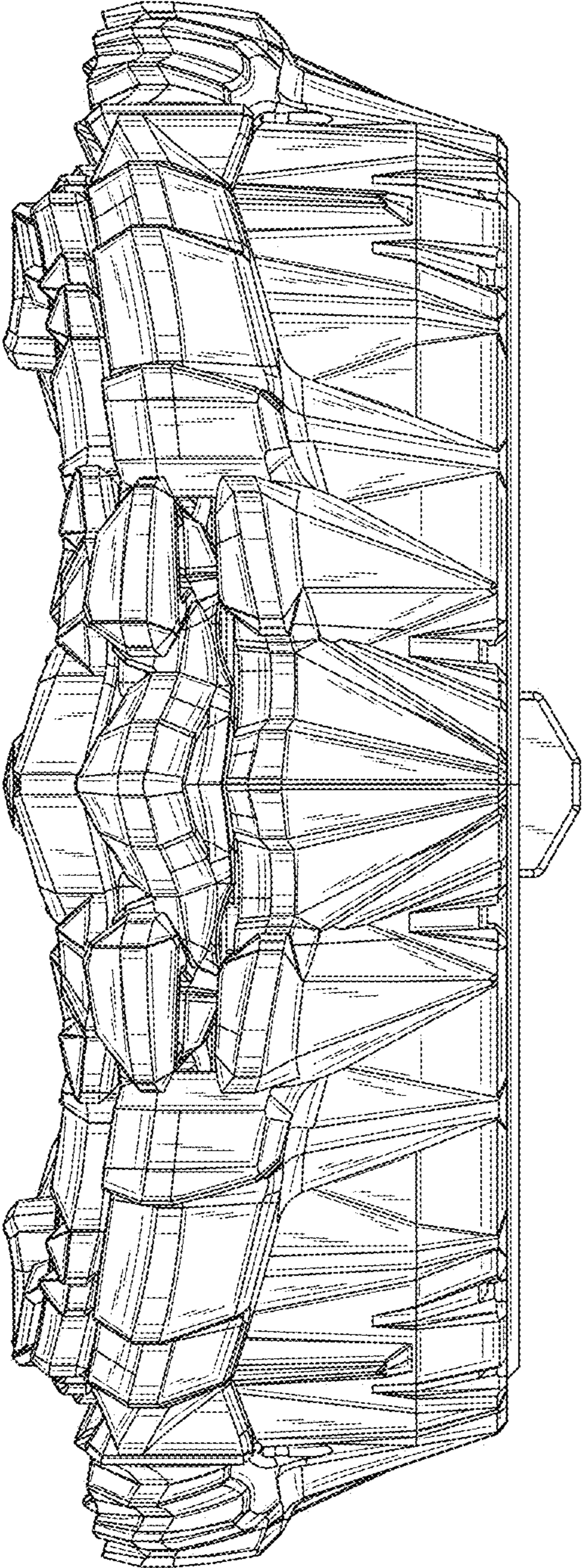


FIG. 2



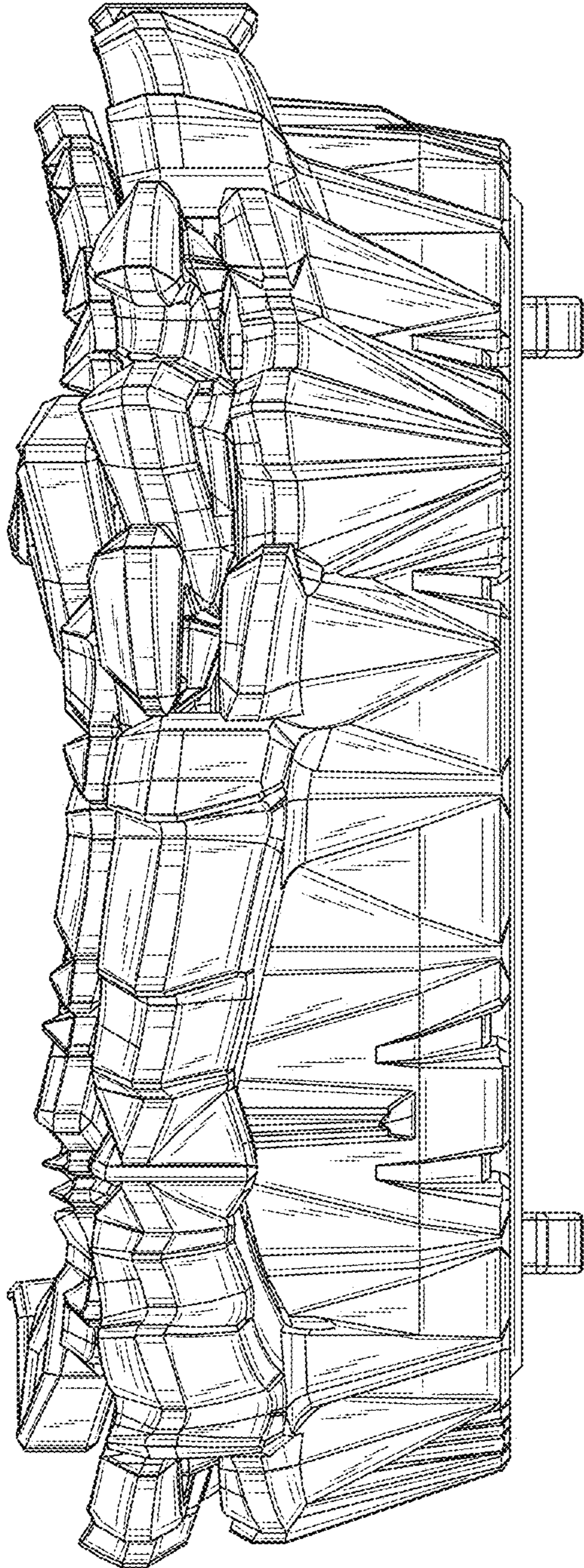


FIG. 3

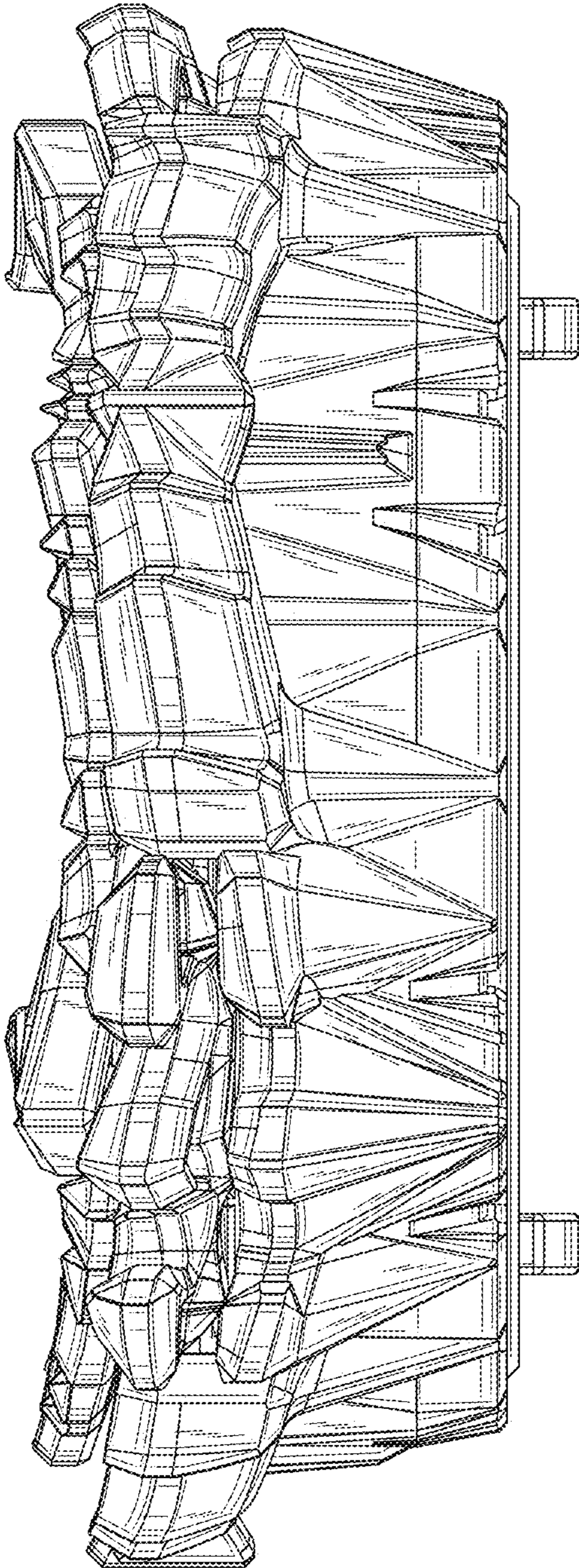


FIG. 4



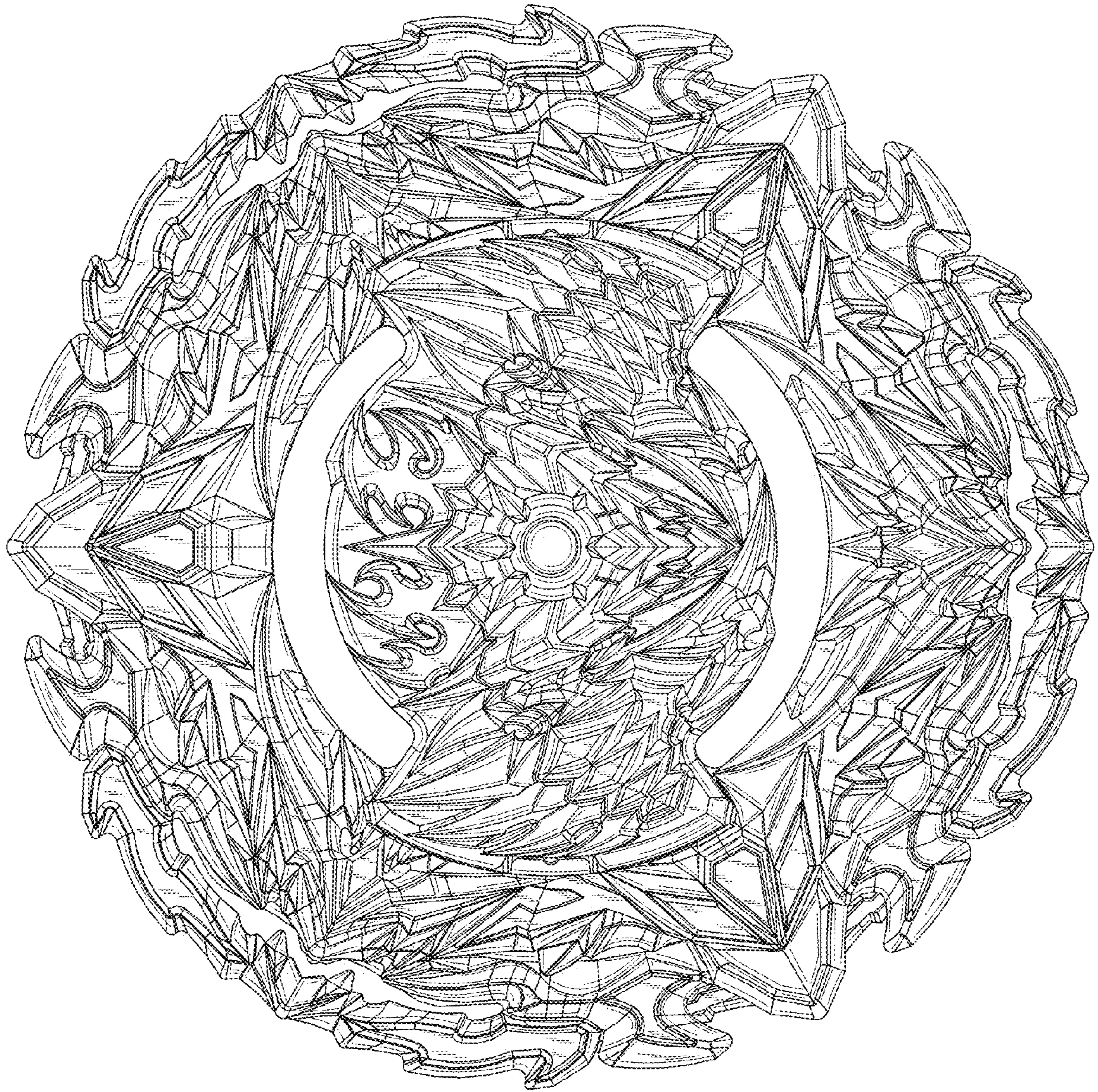


FIG. 5



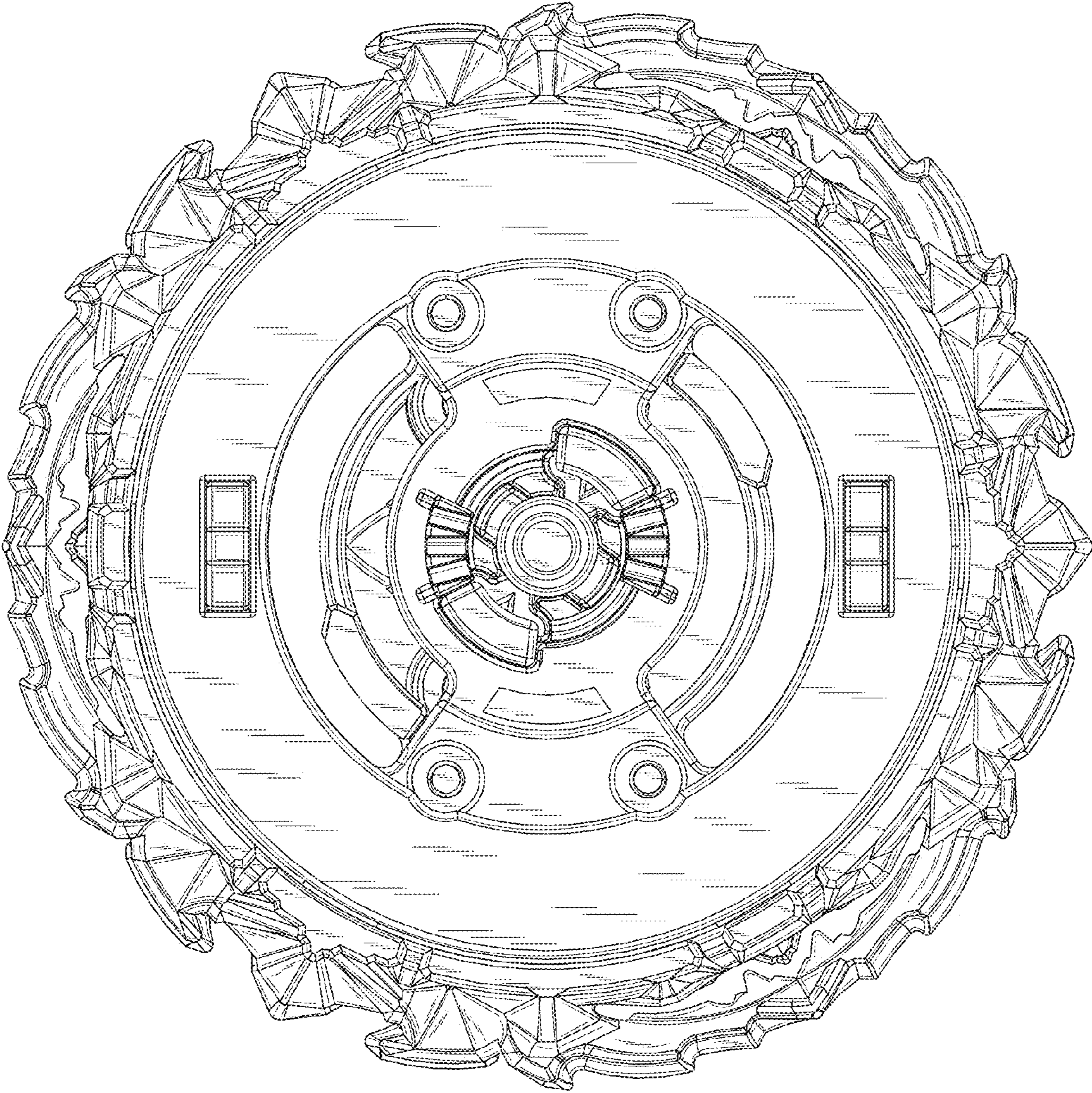


FIG. 6



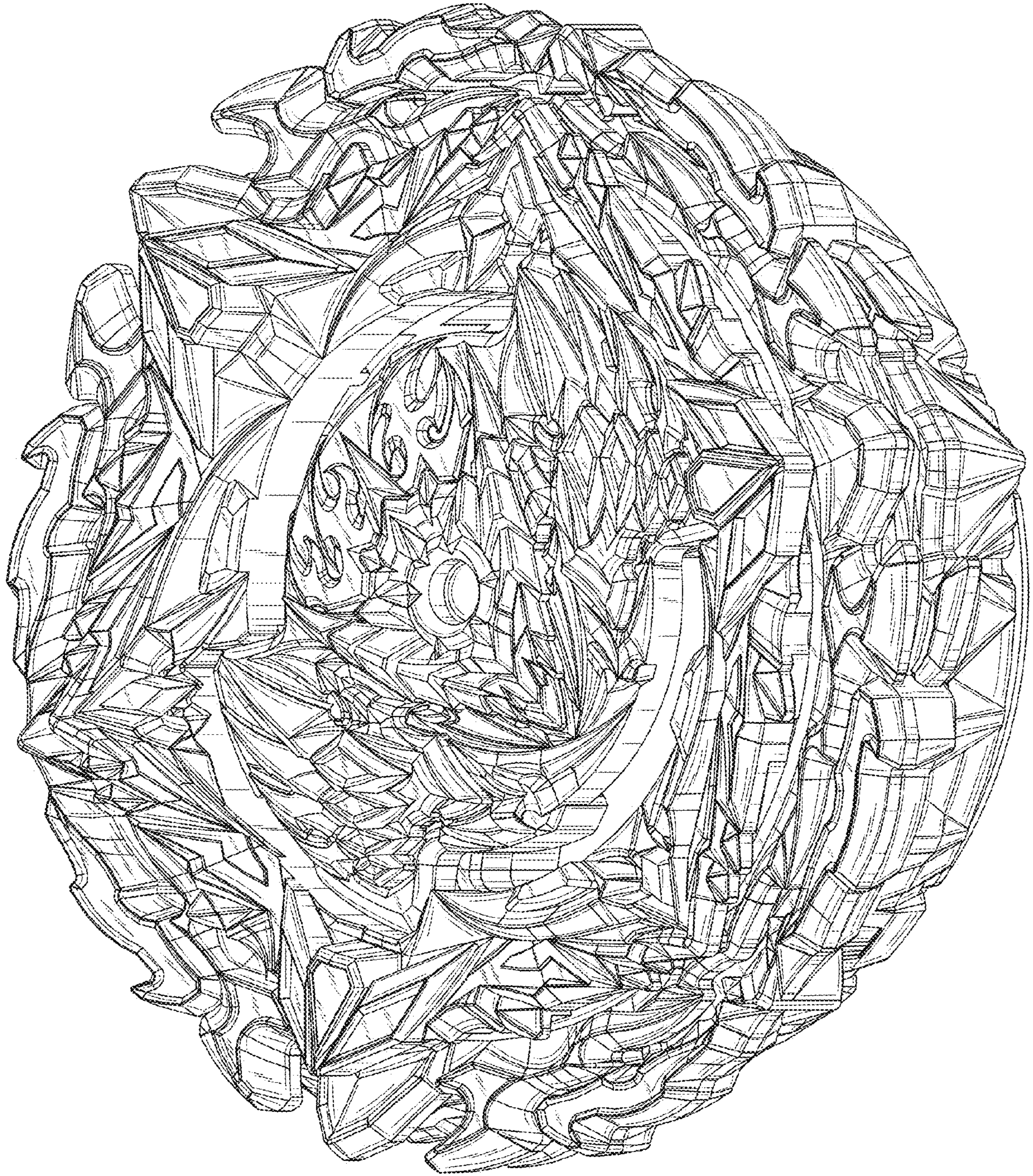


FIG. 7



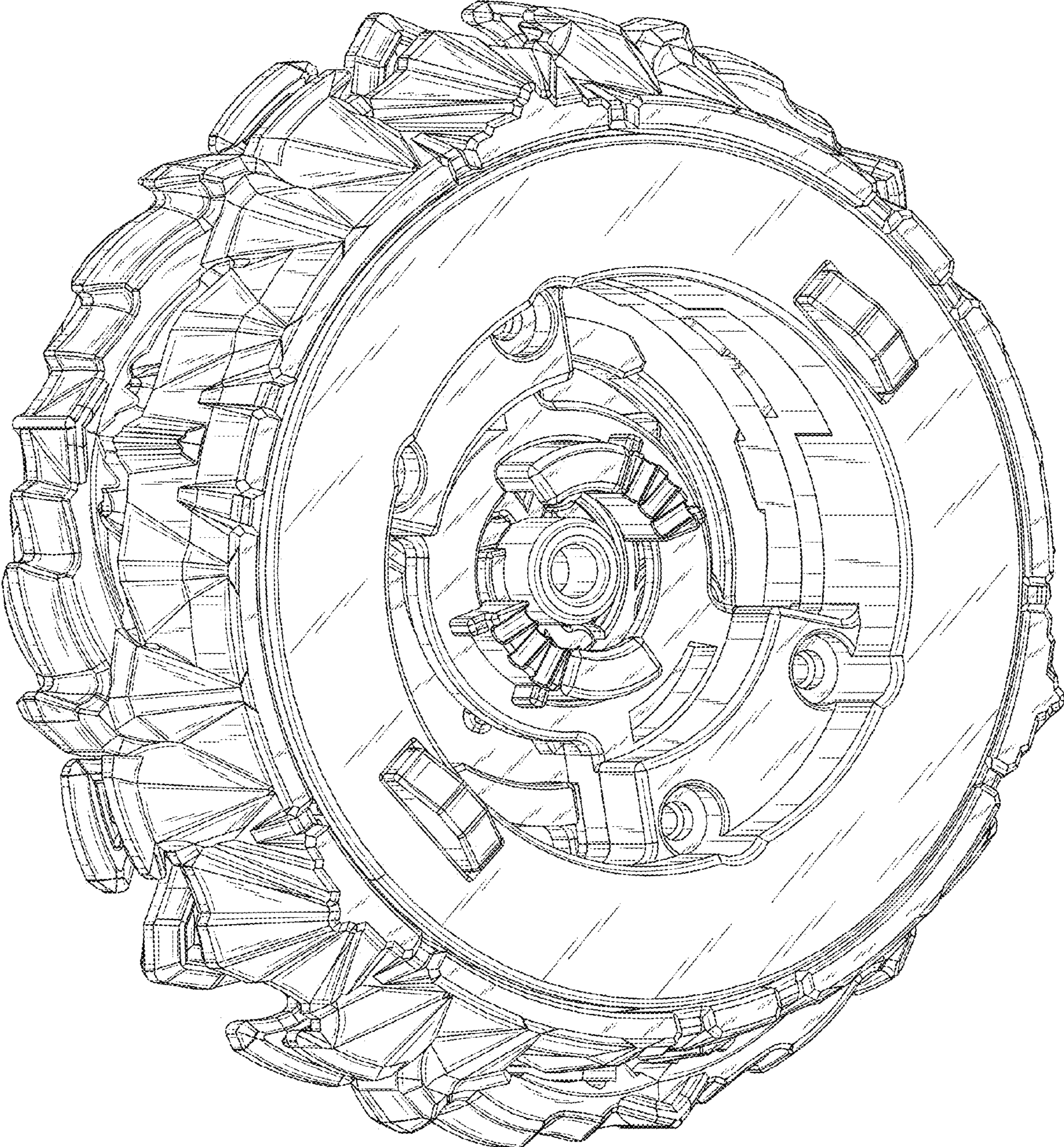


FIG. 8



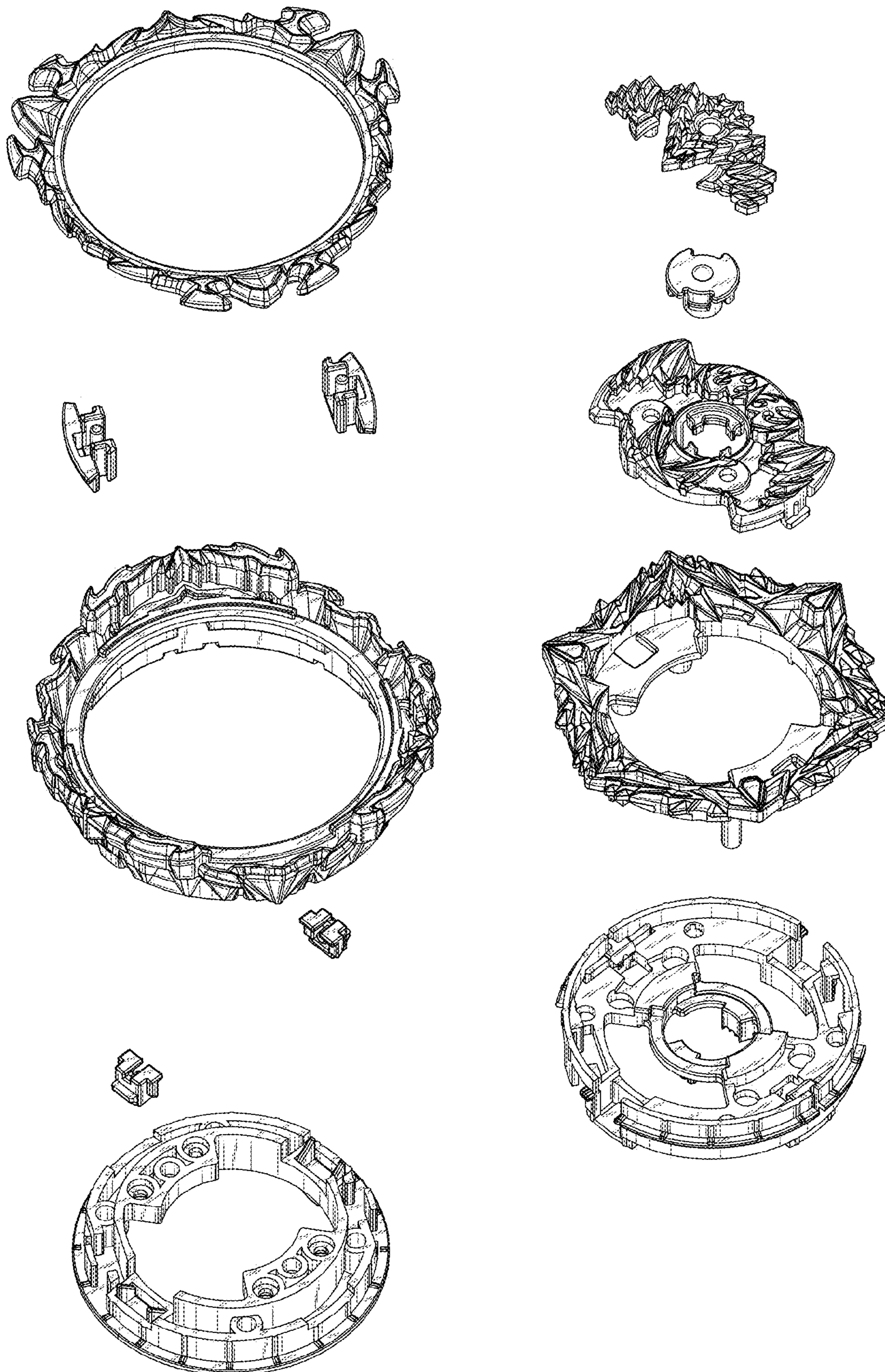


FIG. 9



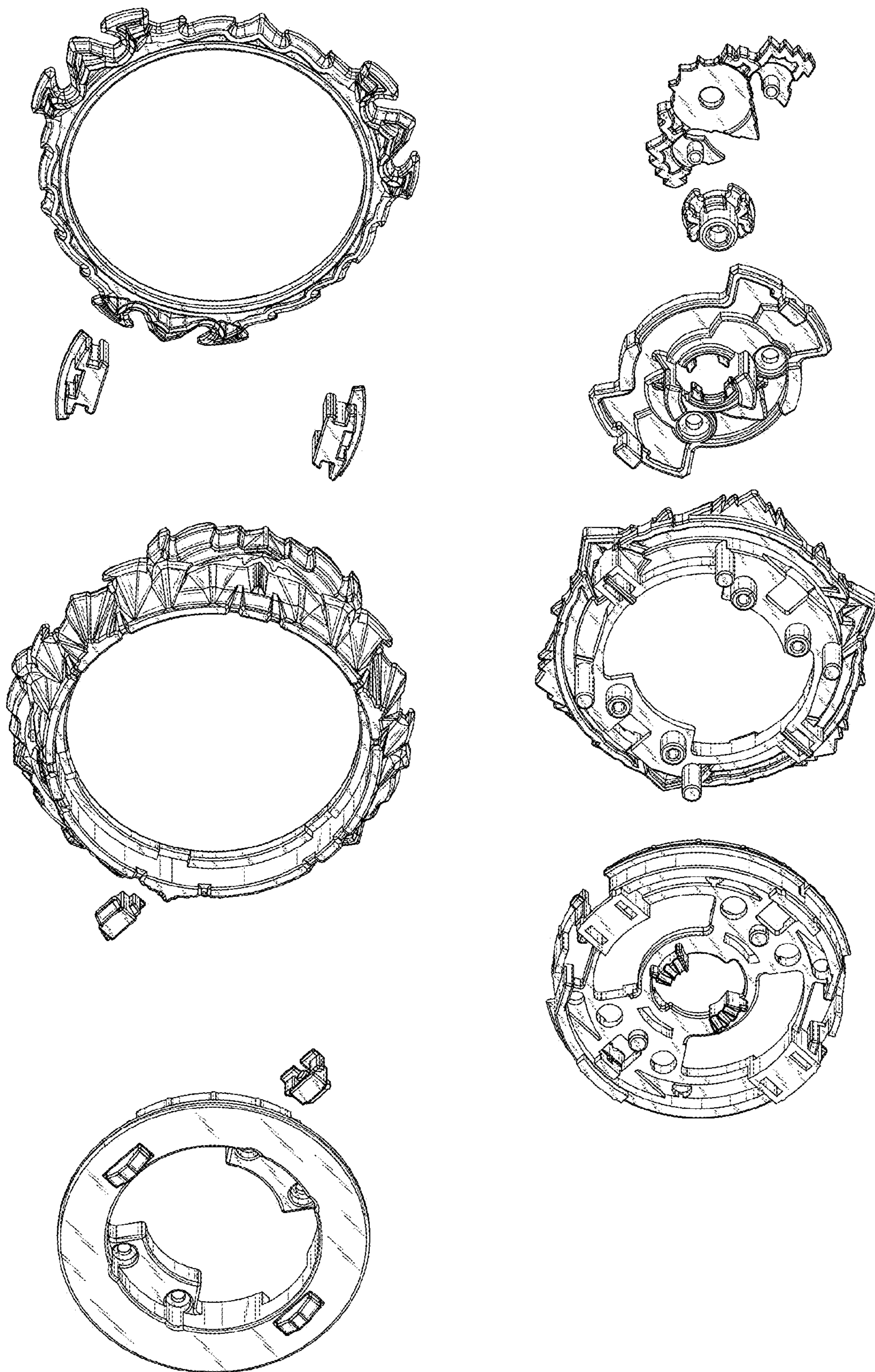


FIG. 10