

US00D960994S

(12) **United States Design Patent** (10) **Patent No.:** **US D960,994 S**
Myers (45) **Date of Patent:** **** Aug. 16, 2022**

(54) BUBBLE MAKER	D453,197 S *	1/2002	Hornsby	D21/401
	6,860,782 B2 *	3/2005	Hornsby	A63H 33/28
(71) Applicant: JETCHILL LTD , Newcastle Upon Tyne (GB)	7,086,920 B2 *	8/2006	Fusco	A63H 33/28
					446/15
(72) Inventor: Colin Myers , Newcastle Upon Tyne (GB)	D557,355 S *	12/2007	Higuchi	D21/572
	D658,726 S *	5/2012	Greiner	D21/570
	D660,920 S *	5/2012	Johnson	D21/572
	D660,921 S *	5/2012	Johnson	D21/572
(73) Assignee: JETCHILL LTD , Newcastle Upon Tyne (GB)	D674,026 S *	1/2013	Roos	D21/570
	D722,117 S *	2/2015	Chen	D21/401
	D735,275 S *	7/2015	Krivulin	D21/401
	D761,365 S *	7/2016	Champ	D21/570
(**) Term: 15 Years	D867,466 S *	11/2019	Thai	D21/401
	D871,509 S *	12/2019	Lo	D21/401

(Continued)

(21) Appl. No.: **29/716,727**

(22) Filed: **Dec. 11, 2019**

(51) **LOC (13) Cl.** **21-01**

(52) **U.S. Cl.**
USPC **D21/401**

(58) **Field of Classification Search**
USPC D21/401, 402, 483, 567, 570, 572, 573,
D21/574; 446/15
CPC F41B 9/0018; F41B 9/0096; F41B 9/0065;
F41B 9/004; A63H 33/28; A63H 5/00;
A63H 33/22
See application file for complete search history.

(56) **References Cited**

U.S. PATENT DOCUMENTS

2,700,845 A *	2/1955	Arliss	A63H 33/28
				446/18
D192,474 S *	3/1962	Benkoe	D21/574
D261,908 S *	11/1981	Steinberg	D21/401
4,334,383 A *	6/1982	Melotti	A63H 33/28
				222/79
D273,880 S *	5/1984	Bart	D21/401
5,462,469 A *	10/1995	Lei	A63H 33/28
				446/15
D372,506 S *	8/1996	Kino	D21/572
5,975,358 A *	11/1999	Zheng	F41B 9/0018
				222/79

OTHER PUBLICATIONS

“Flavor Blaster”, posted page date 2021 [Online],[retrieved Dec. 11, 2021]. Retrieved from Internet: <https://www.jetchill.com/our-shop/01-flavour-blaster-kit/>.*

Primary Examiner — Mehri F Bajoul
(74) *Attorney, Agent, or Firm* — Armstrong Teasdale LLP

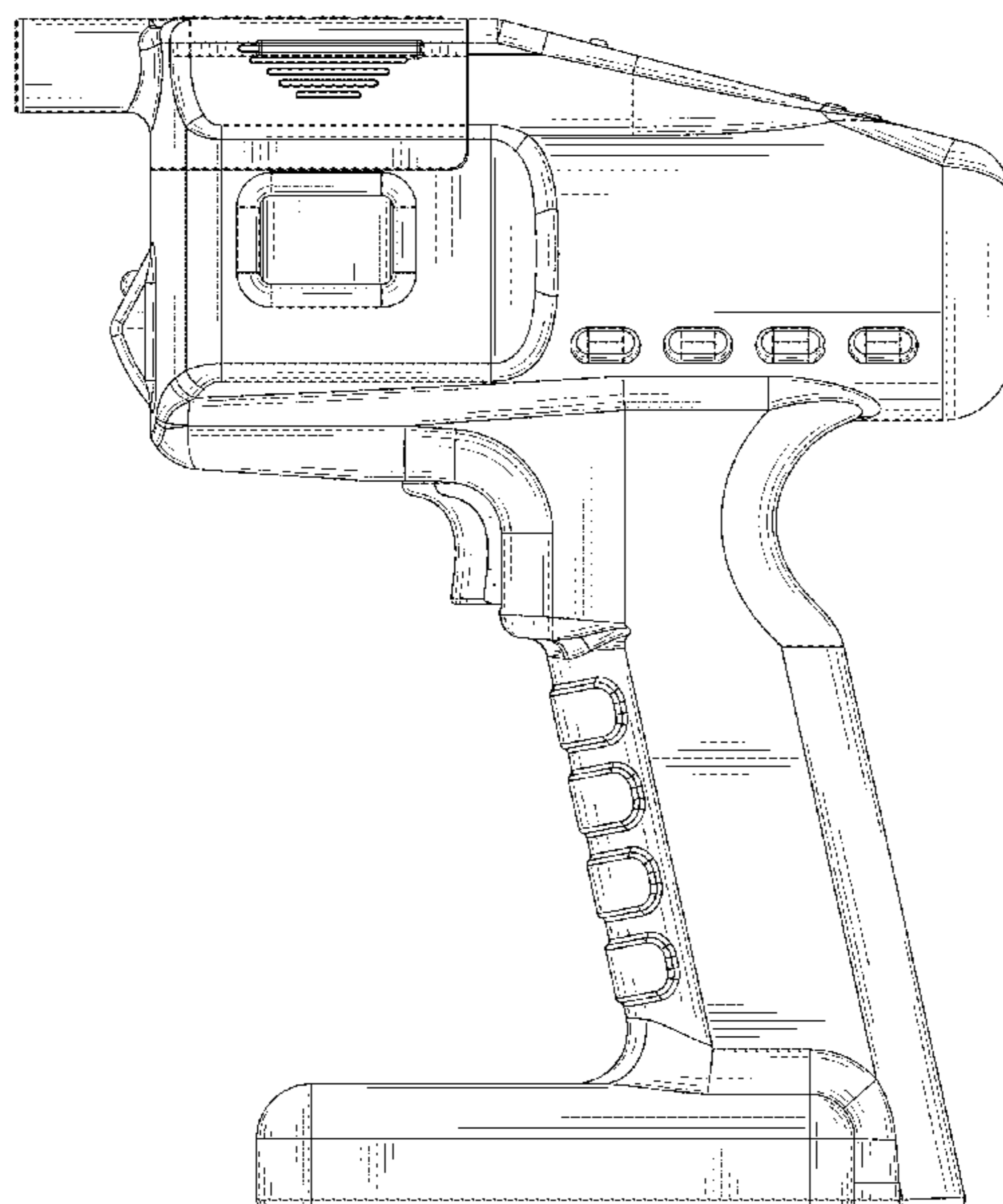
(57) **CLAIM**

I claim the ornamental design for a bubble maker, as substantially shown and described.

DESCRIPTION

FIG. 1 is a side view of a bubble maker.
FIG. 2 is a front view of the bubble maker shown in FIG. 1.
FIG. 3 is a back view of the bubble maker shown in FIG. 1.
FIG. 4 is a top view of the bubble maker shown in FIG. 1.
FIG. 5 is a bottom view of the bubble maker shown in FIG. 1; and,
FIG. 6 is a perspective view of the bubble maker shown in FIG. 1.

1 Claim, 6 Drawing Sheets



(56)

References Cited

U.S. PATENT DOCUMENTS

D896,895 S * 9/2020 Yang D21/401
D896,896 S * 9/2020 Lee D21/401
2003/0199221 A1* 10/2003 Thai A63H 33/28
446/15
2004/0142626 A1* 7/2004 Choi A63H 33/28
446/15
2004/0266309 A1* 12/2004 Thai A63H 33/28
446/15
2006/0163278 A1* 7/2006 Yeung A63H 33/28
222/79
2009/0142986 A1* 6/2009 San A63H 33/28
446/15
2012/0208426 A1* 8/2012 Kuo A63H 33/28
446/15
2012/0214378 A1* 8/2012 Lo A63H 33/28
446/15
2012/0270462 A1* 10/2012 Lo A63H 33/28
446/15
2013/0125991 A1* 5/2013 Lau A63H 33/28
137/1
2014/0094081 A1* 4/2014 Orem A63H 33/28
446/15
2014/0141688 A1* 5/2014 Kelly A63H 33/28
446/15
2014/0273708 A1* 9/2014 Chen A63H 33/28
446/15
2014/0364032 A1* 12/2014 Kelly A63H 33/28
446/15

* cited by examiner

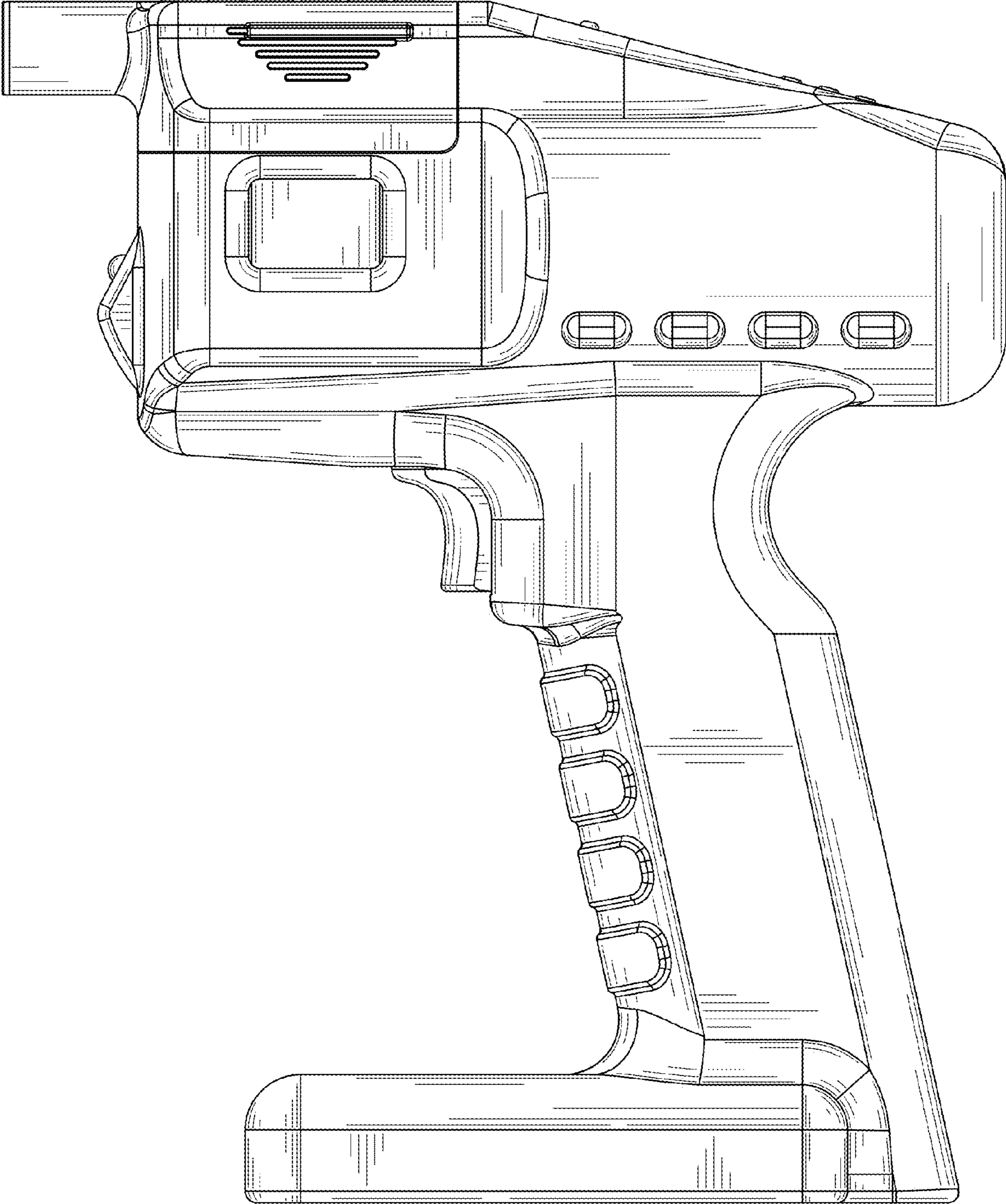


FIG. 1

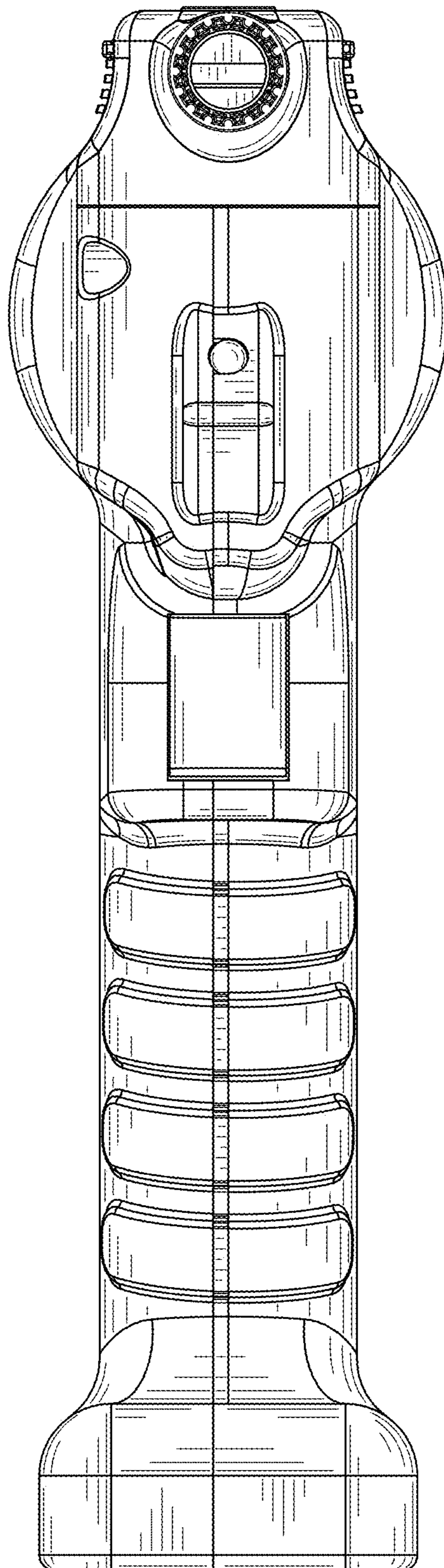


FIG. 2

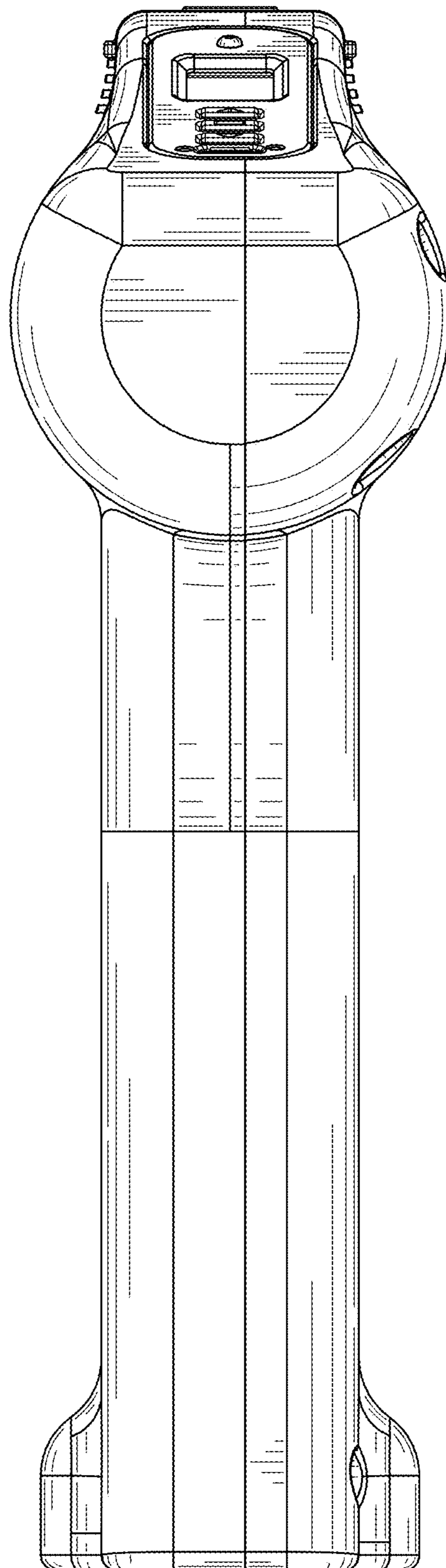


FIG. 3

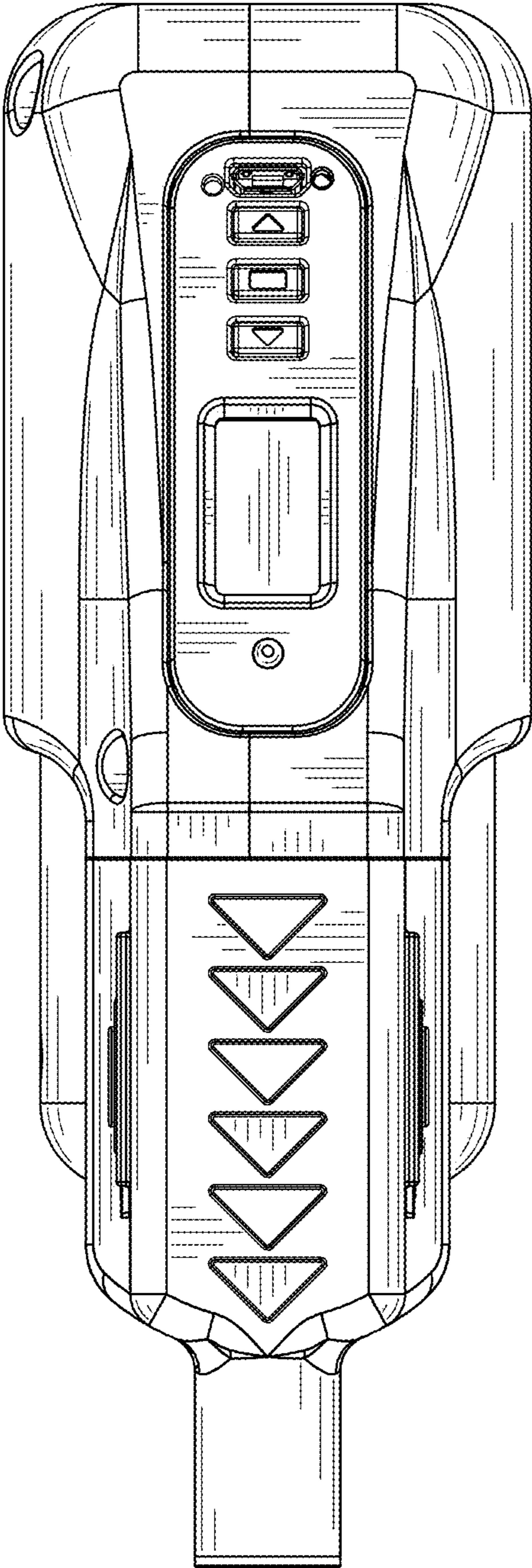


FIG. 4

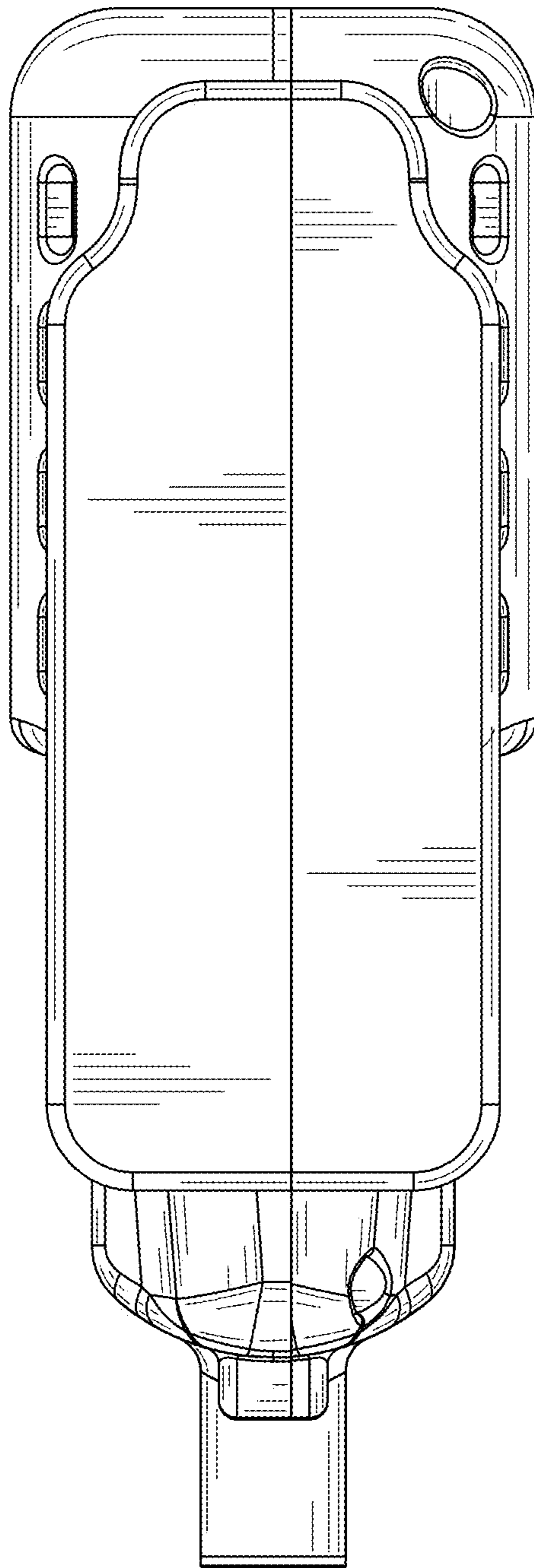


FIG. 5

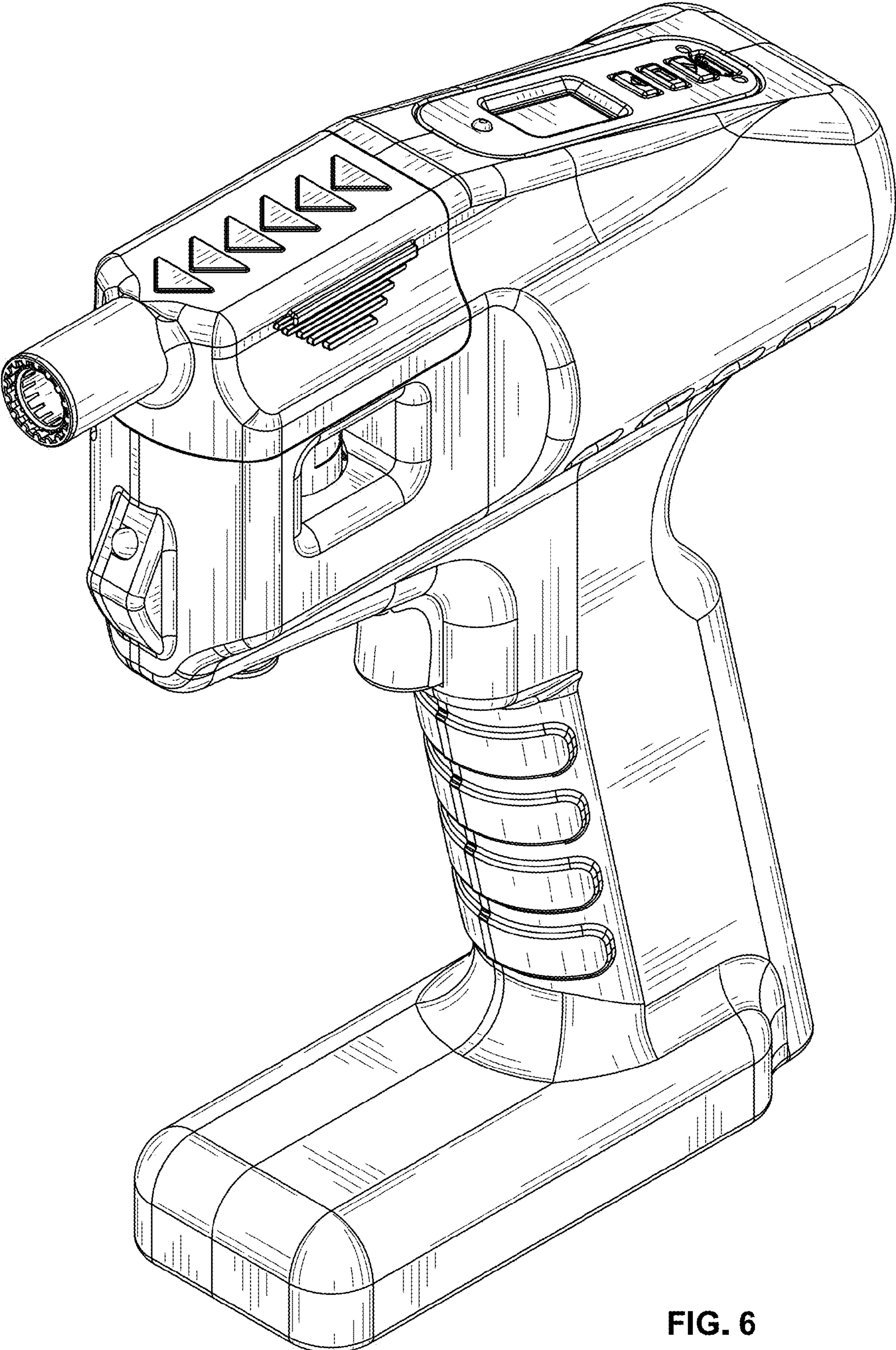


FIG. 6