

US00D960992S

(12) **United States Design Patent**
Peeters et al.

(10) **Patent No.:** **US D960,992 S**
(45) **Date of Patent:** **** Aug. 16, 2022**

(54) **GAME HOUSING WITH GAME PIECES**

(71) Applicant: **SMART N.V.**, Kontich (BE)

(72) Inventors: **Raf Peeters**, Lier (BE); **Leighton Meredith Rees**, Cirencester (GB)

(73) Assignee: **SMART N.V.**, Kontich (BE)

(**) Term: **15 Years**

(21) Appl. No.: **29/687,593**

(22) Filed: **Apr. 14, 2019**

(30) **Foreign Application Priority Data**

Oct. 30, 2018 (EM) 005813094

(51) **LOC (13) Cl.** **21-01**

(52) **U.S. Cl.**

USPC **D21/336**

(58) **Field of Classification Search**

USPC D21/334, 335-342, 355-359, 365, 318,
D21/397, 351, 385, 386, 389, 404, 478,
D21/479, 483-486, 489-491, 493, 494,
D21/497, 499, 507, 510, 511, 561;
273/241, 242, 244-247, 259, 275-277,
273/281, 282.1-282.3, 284-287, 317.3,
273/108.1, 108.5, 118 D, 236-240, 283,
273/309, 441, 461; D6/406.1, 406.3,
D6/406.4, 406.6; D19/86, 92, 95, 87,
D19/113, 75, 77, 78, 80; 108/14, 62, 43,
108/67; 434/416, 247, 248, 251, 408,
434/413, 145, 430

CPC A63F 3/00; A63F 3/00003; A63F 3/00028;
A63F 3/00041; A63F 3/00044; A63F
3/00047; A63F 3/00173; A63F 3/00176;
A63F 3/00214; A63F 3/00261; A63F
3/00643; A63F 3/00646-00659; A63F
3/04; A63F 3/00097; A63F 3/0434; A63F
3/00148; A63F 3/00697; A63F 3/0023;
A63F 3/00895; A63F 3/00574; A63F
3/00694; A63F 2003/00182; A63F
2003/00223; A63F 2003/00457; A63F

2003/0046; A63F 2003/00463; A63F
2003/00466; A63F 2003/0047; A63F
2003/00485; A63F 2003/00492; A63F
2003/00507; A63F 2003/00514; A63F
2003/00533; A63F 2003/00552; A63F
2003/00558; A63F 2003/00943; A63F
203/00946; A63F 2003/0952-00962;
A63F 2003/00974; A63F 7/00; A63F
7/06; A63F 7/0612; A63F 7/0604; A63F
7/0616-0636; A63F 7/30; A63F 7/36;
A63F 7/0005; A63F 7/0017; A63F
7/0023; A63F 2007/0035; A63F
2007/367; A63F 2007/3674; A63F 9/00;
A63F 9/08; A63F 9/001; A63F 9/0826;
A63F 9/0073; A63F 9/0078; A63F
9/0602; A63F 9/0613; A63F 9/12-1208;
A63F 9/1288; A63F 2009/0012; A63F
2009/1212-1228; A63F 2009/1292; A63F
2009/1296

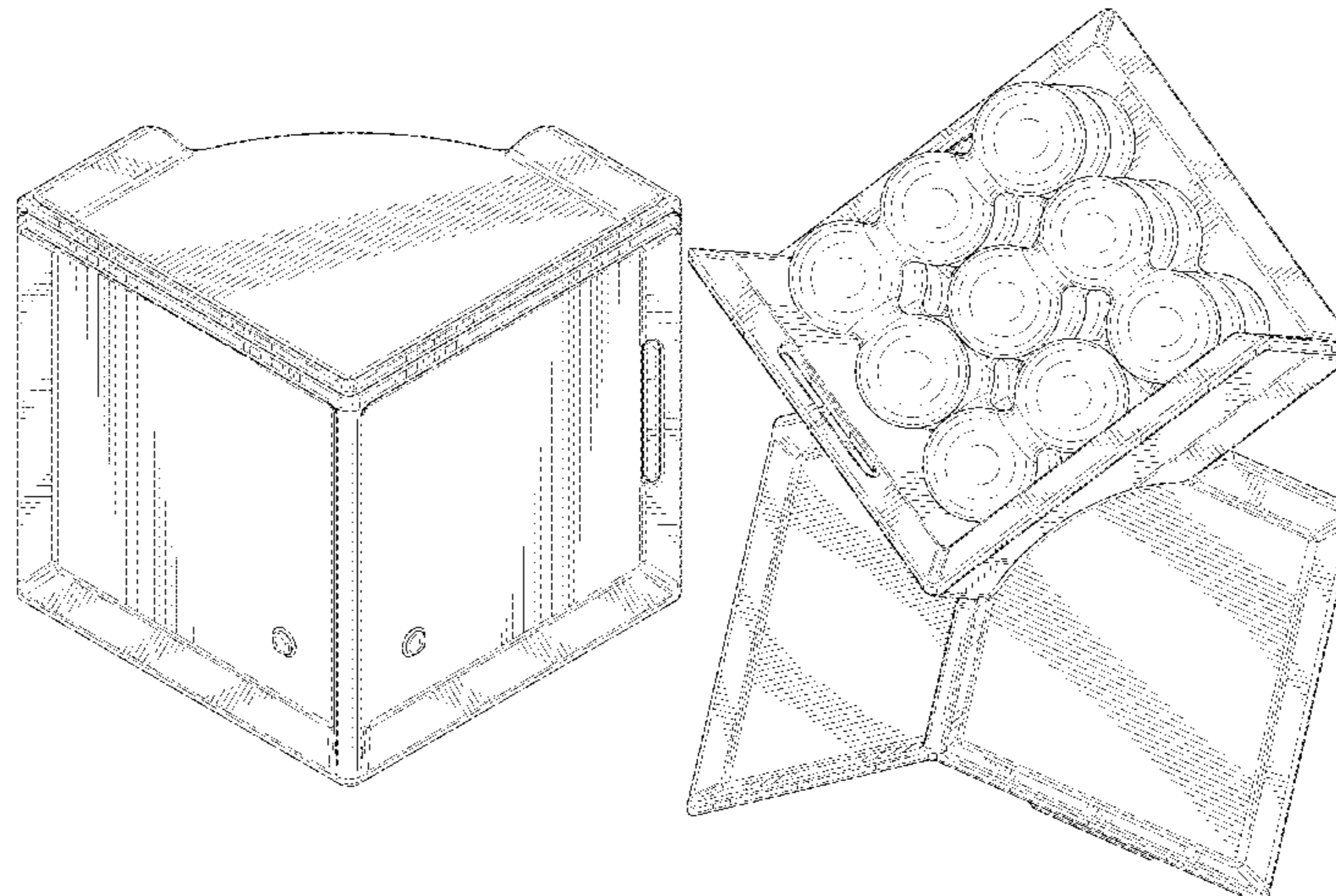
See application file for complete search history.

(56)

References Cited

U.S. PATENT DOCUMENTS

1,866,117 A * 7/1932 Logan A47F 5/114
211/133.1
2,886,325 A * 5/1959 Long A63F 3/0423
273/272
2,932,745 A * 4/1960 Gotting G21C 11/028
376/288
D210,542 S * 3/1968 Stookey D21/336
D221,449 S * 8/1971 Taylor D21/478
3,602,514 A * 8/1971 Peebles A63F 3/00574
273/290
3,692,310 A * 9/1972 Martin A63F 9/12
273/284
D225,241 S * 11/1972 Westlake D21/336
3,771,795 A * 11/1973 Flanigen A63F 9/12
248/152
D229,954 S * 1/1974 Daenen D21/499
3,791,649 A * 2/1974 Gold A63F 3/00214
273/261
D230,870 S * 3/1974 Keim D21/336
3,863,918 A * 2/1975 Kramer A63H 33/04
446/85
D235,075 S * 5/1975 Baynes D21/479



4,021,045	A *	5/1977	Mermelstein	A63F 3/00895	273/285
4,032,151	A *	6/1977	Morse	A63F 3/00574	273/242
D246,129	S *	10/1977	Klamer	D21/499	
4,083,564	A *	4/1978	Matsumoto	A63F 3/00697	273/289
4,147,359	A *	4/1979	King	A63F 3/00138	273/287
4,147,362	A *	4/1979	Fisher	A63F 3/00697	273/287
D252,966	S *	9/1979	Cohen	D6/683	
4,197,669	A *	4/1980	Hynes	A63H 33/084	D25/113
D255,473	S *	6/1980	Chase	446/126	
4,210,332	A *	7/1980	Shanin	A63F 9/12	52/79.12
4,257,609	A *	3/1981	Squibbs	A63F 9/12	273/276
D264,858	S *	6/1982	Dennis	D21/479	
D268,427	S *	3/1983	Grushkin	D21/479	
4,574,960	A *	3/1986	Shikatani	A47F 5/00	446/124
D297,032	S *	8/1988	Leung	D21/479	
D324,891	S *	3/1992	Vershaeve, Jr.	D21/478	
D375,330	S *	11/1996	Ritzman	D21/479	
5,601,289	A *	2/1997	Hollister	A63F 3/00697	D21/388
5,711,524	A *	1/1998	Bauer	A63F 3/00574	273/157 R
D392,692	S *	3/1998	Windom	D21/389	
D395,468	S *	6/1998	Wagner	D21/478	
D406,619	S *	3/1999	Larws	D21/478	
D407,447	S *	3/1999	Tam	D21/478	
6,402,664	B1 *	6/2002	Marston	A63B 23/0458	482/52
6,648,330	B2 *	11/2003	Porter	A63F 9/12	273/156
D491,234	S *	6/2004	Rom	D21/478	
D491,235	S *	6/2004	Fang	D21/478	
D495,378	S *	8/2004	Sugden	D21/478	
D497,959	S *	11/2004	Błaszczczyk	D21/478	
D501,034	S *	1/2005	Rom	D21/478	
D501,231	S *	1/2005	Rom	D21/478	
7,040,621	B2 *	5/2006	Cheng	G09B 1/02	273/157 R
D524,381	S *	7/2006	Thompson	D21/478	
7,140,612	B2 *	11/2006	Chen	A63F 9/1204	273/156
D539,359	S *	3/2007	Rom	D21/478	
D610,212	S *	2/2010	Pedersen	D21/499	
7,677,567	B2 *	3/2010	Chen	A63F 9/1288	273/156
D614,248	S *	4/2010	Pedersen	D21/499	
D614,249	S *	4/2010	Pedersen	D21/499	
D616,044	S *	5/2010	Tervo	D21/501	
D616,045	S *	5/2010	Tervo	D21/501	
7,731,192	B1 *	6/2010	Marhefka	A63F 9/26	273/156
8,403,328	B2 *	3/2013	Vandoren	A63F 3/00634	273/287
9,162,139	B2 *	10/2015	Lando	A63F 9/10	
9,427,675	B2 *	8/2016	Yang	A63H 33/04	
D776,205	S *	1/2017	Facey	D21/499	
D788,858	S *	6/2017	Laris	D21/499	
D792,521	S *	7/2017	Laris	D21/499	
10,029,171	B1 *	7/2018	Lando	A63F 9/12	
D911,449	S *	2/2021	Peeters	D21/342	
D912,156	S *	3/2021	Peeters	D21/342	
2019/0022544	A1 *	1/2019	Luo	A63H 33/084	
2020/0215451	A1 *	7/2020	Chiu	A63H 33/08	
2021/0125763	A1 *	4/2021	Osipov	H01R 11/30	

* cited by examiner

Primary Examiner — Susan Moon Lee

(74) Attorney, Agent, or Firm — Hodgson Russ LLP

(57) CLAIM

The ornamental design for a game housing with game pieces, as shown and described.

DESCRIPTION

FIG. 1 is a top perspective view of a game housing with game pieces according to the present design, showing the game housing in a compact state, apart from the game pieces, for clarity of illustration;
 FIG. 2 is a front elevational view of the game housing of FIG. 1;
 FIG. 3 is a rear elevational view of the game housing of FIG. 1;
 FIG. 4 is a left side view of the game housing of FIG. 1;
 FIG. 5 is a right side view of the game housing of FIG. 1;
 FIG. 6 is a top view of the game housing of FIG. 1;
 FIG. 7 is a bottom view of the game housing of FIG. 1;
 FIG. 8 is a top perspective view of the game housing in an expanded state, shown separately for clarity of illustration;
 FIG. 9 is a left side view of the game housing of FIG. 8;
 FIG. 10 is a right side view of the game housing of FIG. 8;
 FIG. 11 is a front elevational view of the game housing of FIG. 8;
 FIG. 12 is a rear elevational view of the game housing of FIG. 8;
 FIG. 13 is a top view of the game housing of FIG. 8;
 FIG. 14 is a bottom view of the game housing of FIG. 8;
 FIG. 15 is a top perspective view of a game piece, shown separately for clarity of illustration;
 FIG. 16 is a right side view of the game piece of FIG. 15;
 FIG. 17 is a left side view of the game piece of FIG. 15;
 FIG. 18 is a rear elevational view of the game piece of FIG. 15;
 FIG. 19 is a front elevational view of the game piece of FIG. 15;
 FIG. 20 is a top view of the game piece of FIG. 15;
 FIG. 21 is a bottom view of the game piece of FIG. 15;
 FIG. 22 is a top perspective view of a game piece, shown separately for clarity of illustration;
 FIG. 23 is a front elevational view of the game piece of FIG. 22;
 FIG. 24 is a rear elevational view of the game piece of FIG. 22;
 FIG. 25 is a left side view of the game piece of FIG. 22;
 FIG. 26 is a right side view of the game piece of FIG. 22;
 FIG. 27 is a top view of the game piece of FIG. 22;
 FIG. 28 is a bottom view of the game piece of FIG. 22;
 FIG. 29 is a top perspective view of a game piece, shown separately for clarity of illustration;
 FIG. 30 is a front elevational view of the game piece of FIG. 29;
 FIG. 31 is a rear elevational view of the game piece of FIG. 29;
 FIG. 32 is a right side view of the game piece of FIG. 29;
 FIG. 33 is a left side view of the game piece of FIG. 29;
 FIG. 34 is a top view of the game piece of FIG. 29;
 FIG. 35 is a bottom view of the game piece of FIG. 29;
 FIG. 36 is a top perspective view of a game piece, shown separately for clarity of illustration;
 FIG. 37 is a front elevational view of the game piece of FIG. 36;
 FIG. 38 is a rear elevational view of the game piece of FIG. 36;
 FIG. 39 is a left side view of the game piece of FIG. 36;

FIG. 40 is a right side view of the game piece of FIG. 36;
FIG. 41 is a top view of the game piece of FIG. 36;
FIG. 42 is a bottom view of the game piece of FIG. 36;
FIG. 43 is a top perspective view of a game piece, shown separately for clarity of illustration;
FIG. 44 is a front elevational view of the game piece of FIG. 43;
FIG. 45 is a rear elevational view of the game piece of FIG. 43;
FIG. 46 is a left side view of the game piece of FIG. 43;
FIG. 47 is a right side view of the game piece of FIG. 43;
FIG. 48 is a top view of the game piece of FIG. 43;
FIG. 49 is a bottom view of the game piece of FIG. 43;
FIG. 50 is a top perspective view of a game piece, shown separately for clarity of illustration;
FIG. 51 is a front elevational view of the game piece of FIG. 50;
FIG. 52 is a rear elevational view of the game piece of FIG. 50;
FIG. 53 is a left view of the game piece of FIG. 50;
FIG. 54 is a right view of the game piece of FIG. 50;
FIG. 55 is a top view of the game piece of FIG. 50;
FIG. 56 is a bottom view of the game piece of FIG. 50; and,
FIG. 57 is a top perspective view of the game housing with game pieces.

The broken lines illustrate portions of the game housing with game pieces that form no part of the claim but are included for purposes of illustration.

The difference in cross-hatching patterns in FIGS. 15-56 is used to indicate contrasting colors.

1 Claim, 35 Drawing Sheets

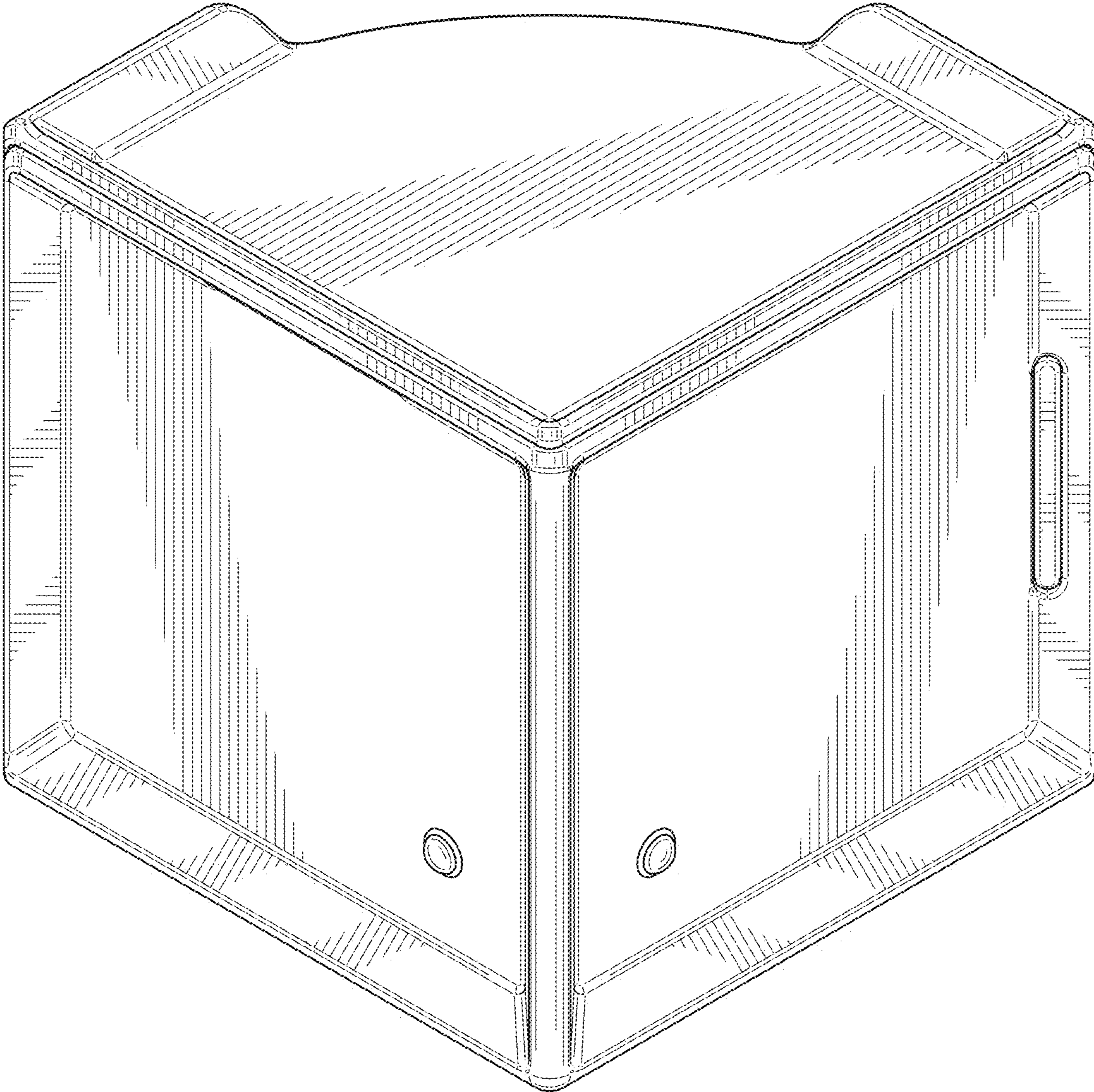


FIG. 1

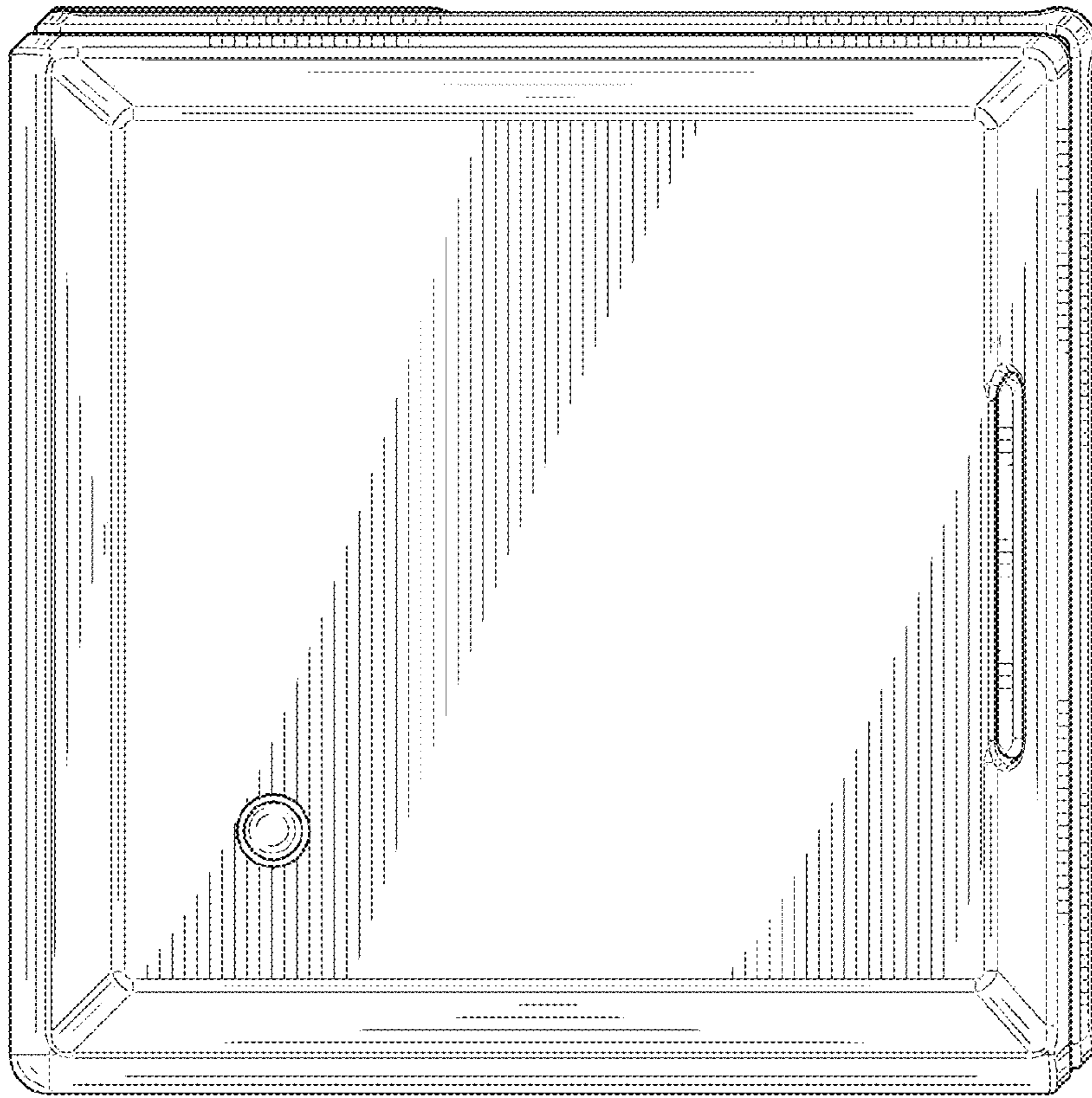


FIG. 2

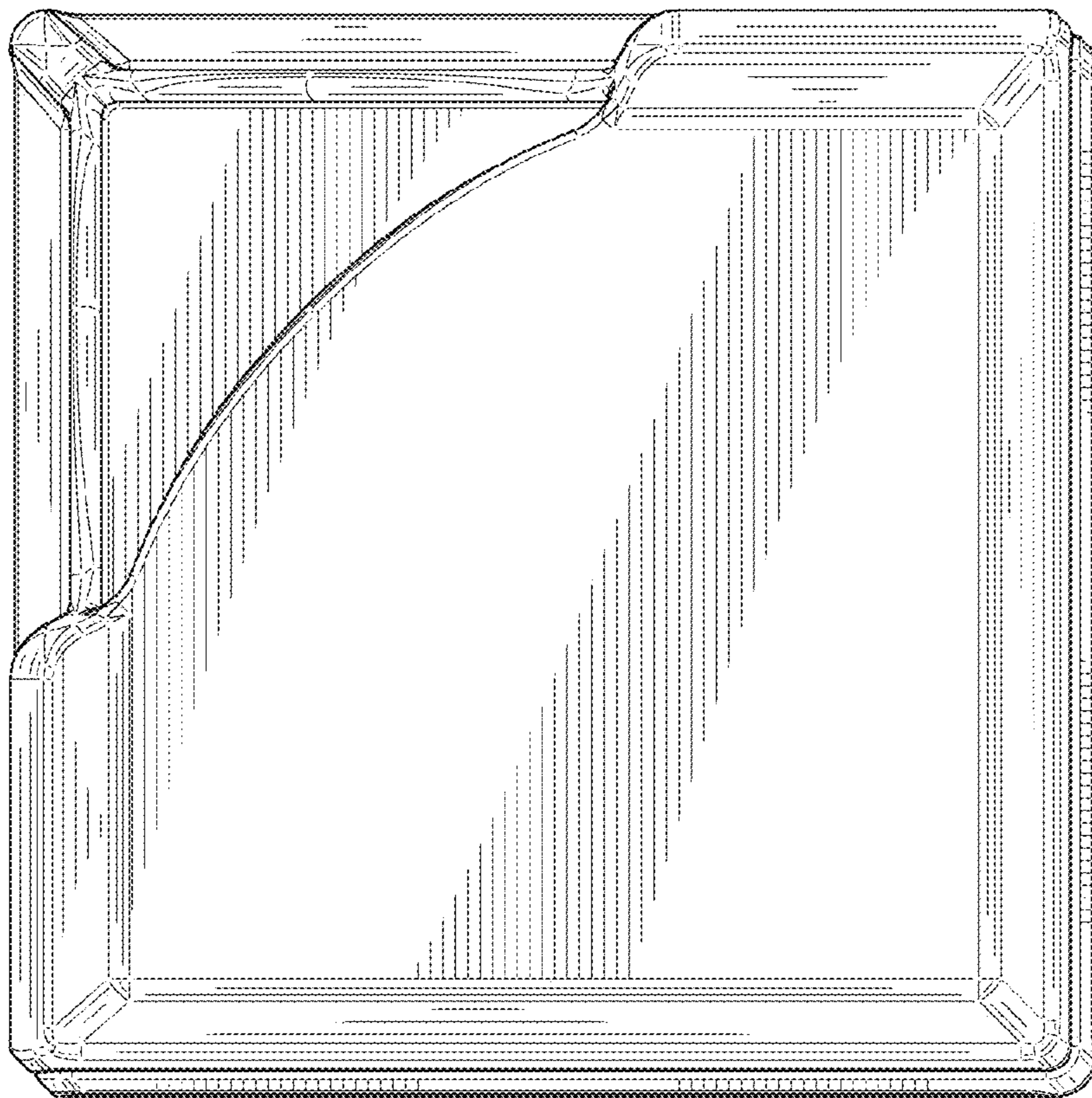


FIG. 3

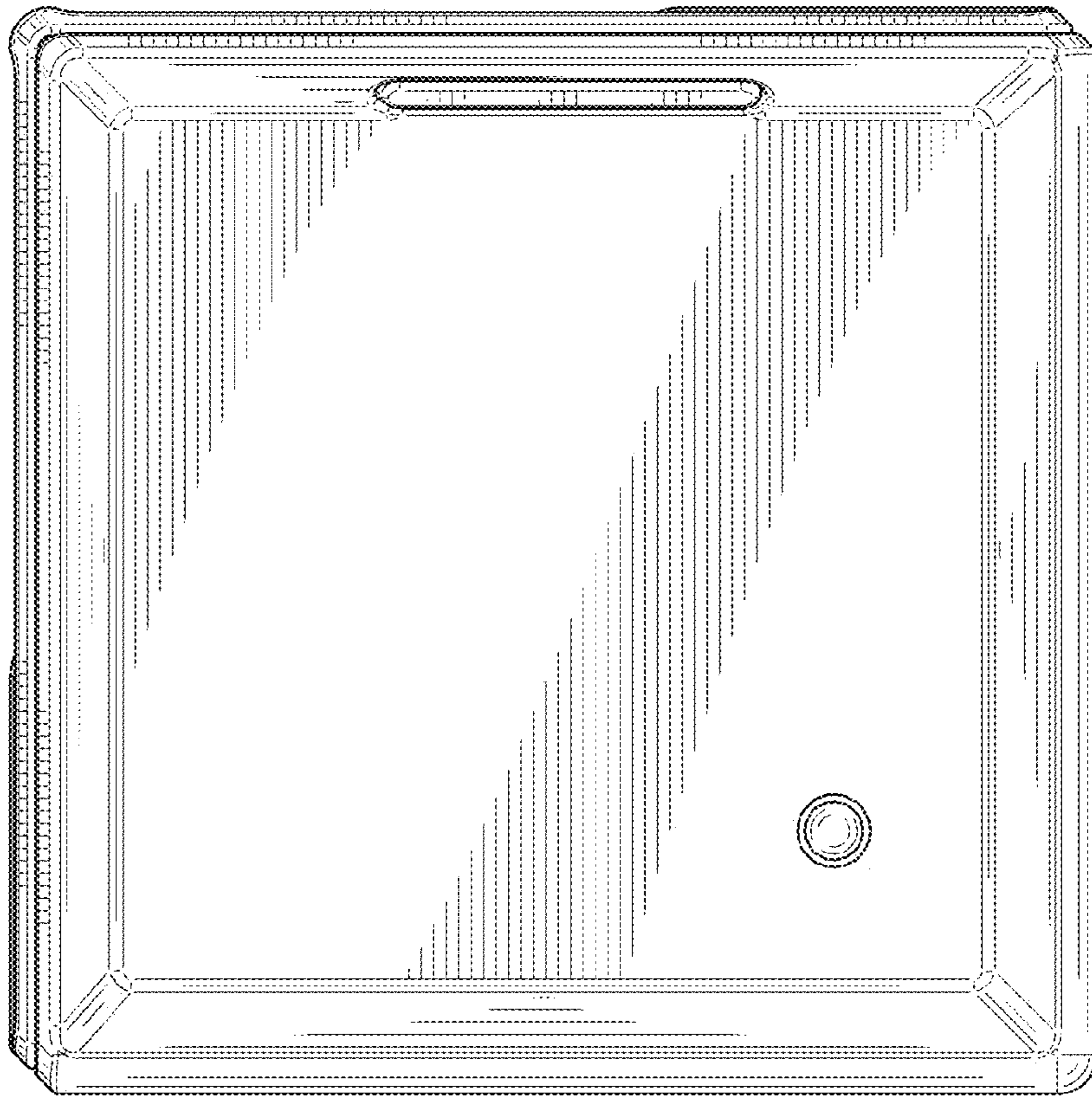


FIG. 4

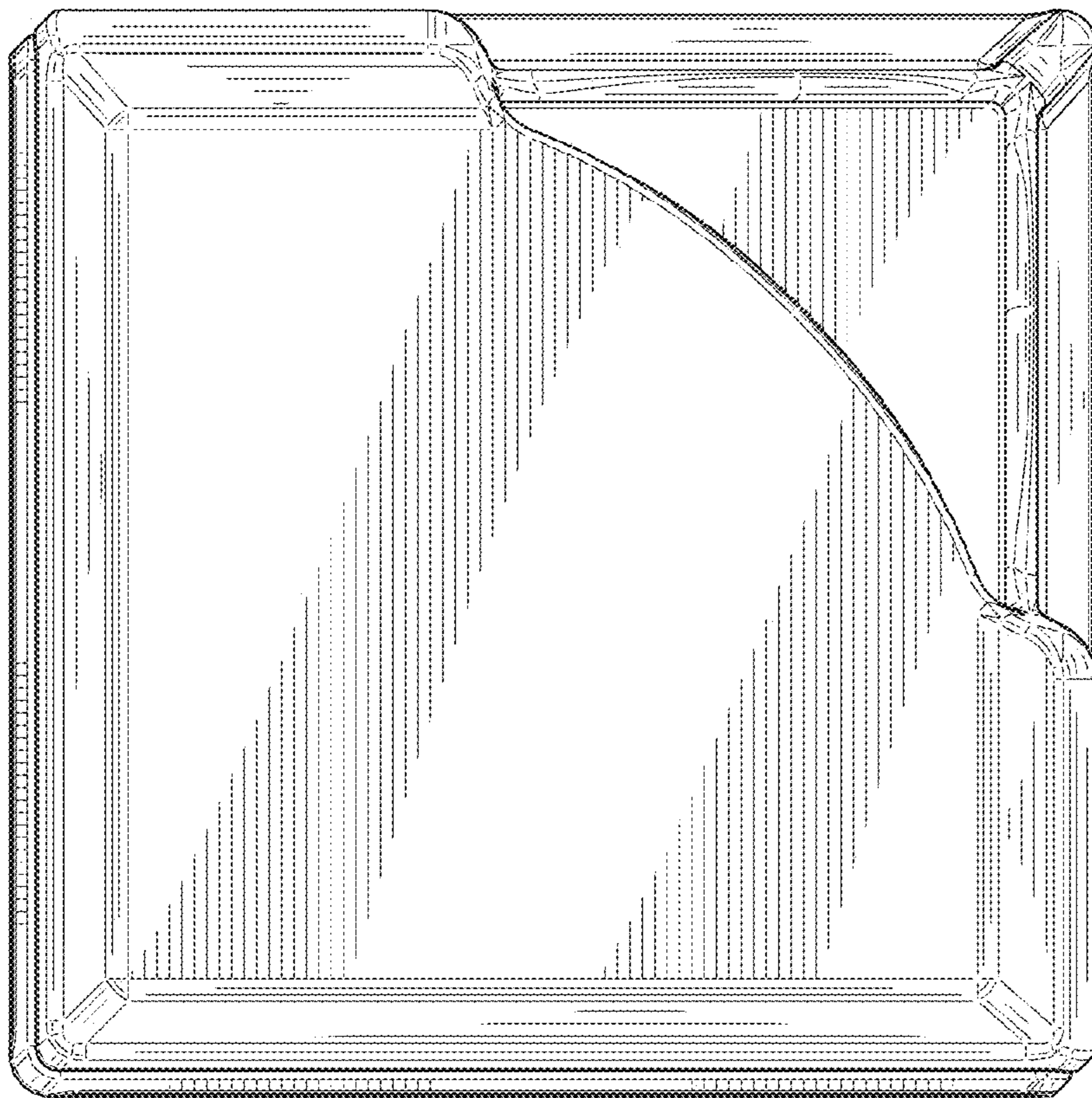


FIG. 5

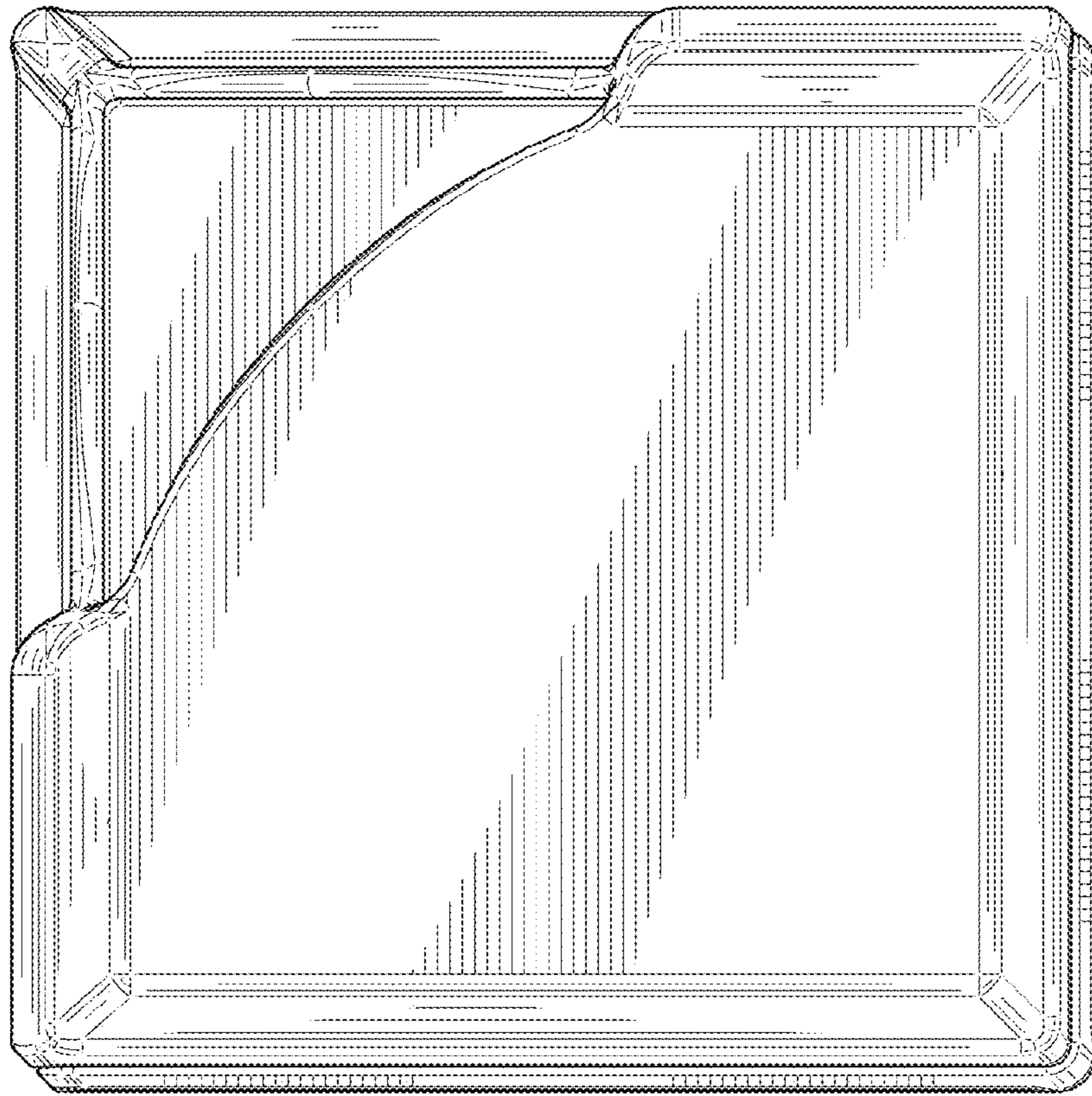


FIG. 6

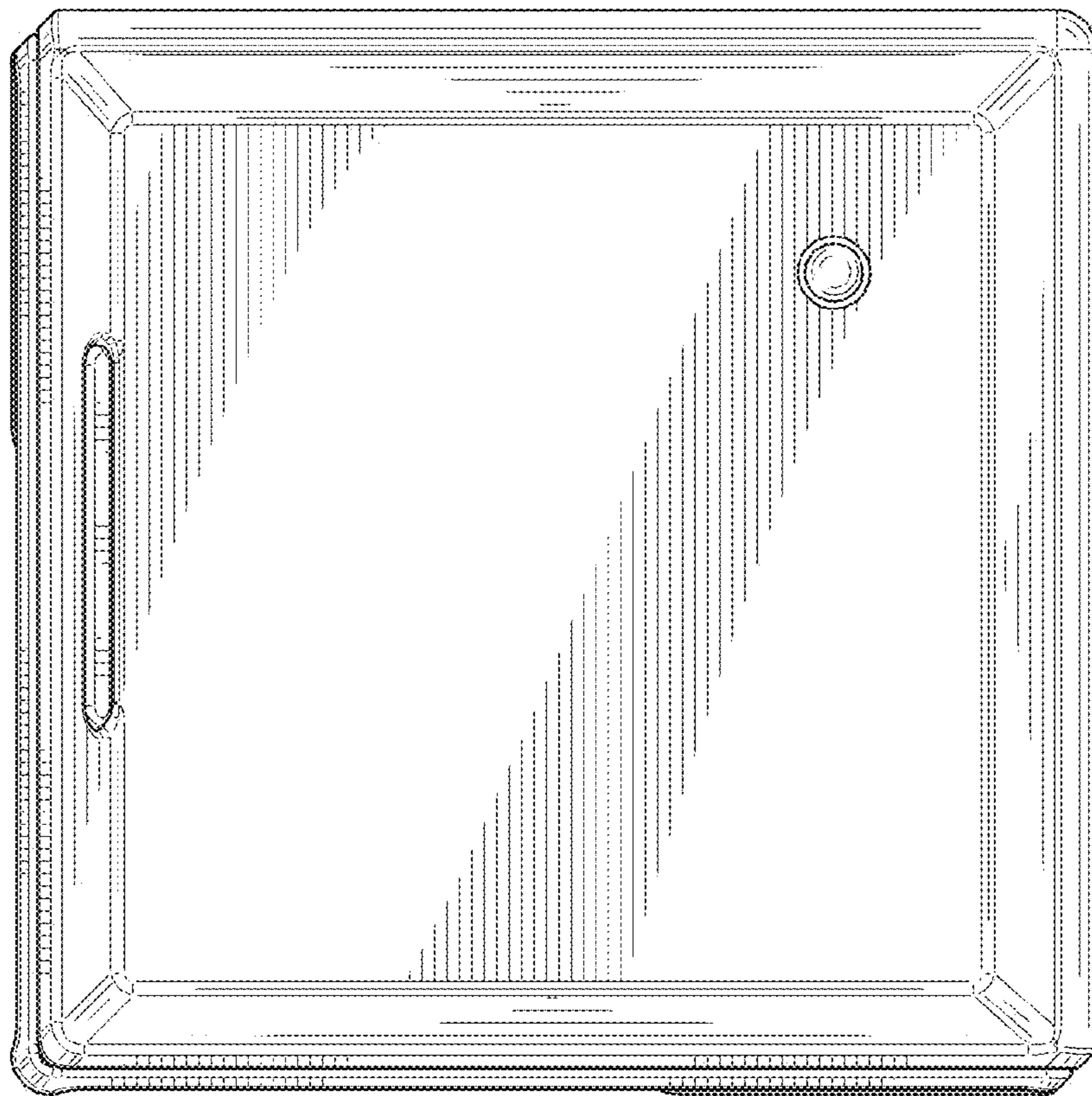


FIG. 7

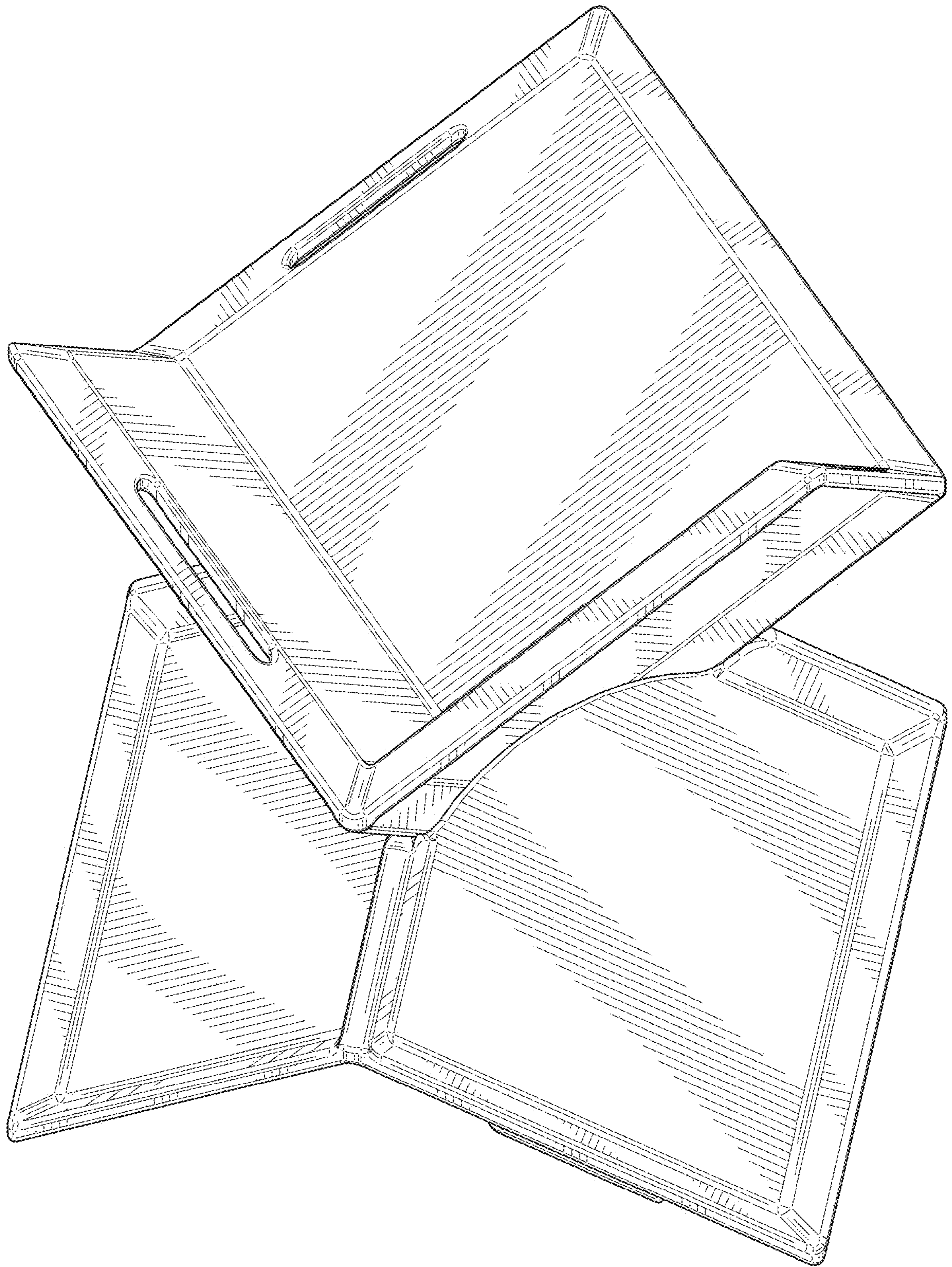


FIG. 8

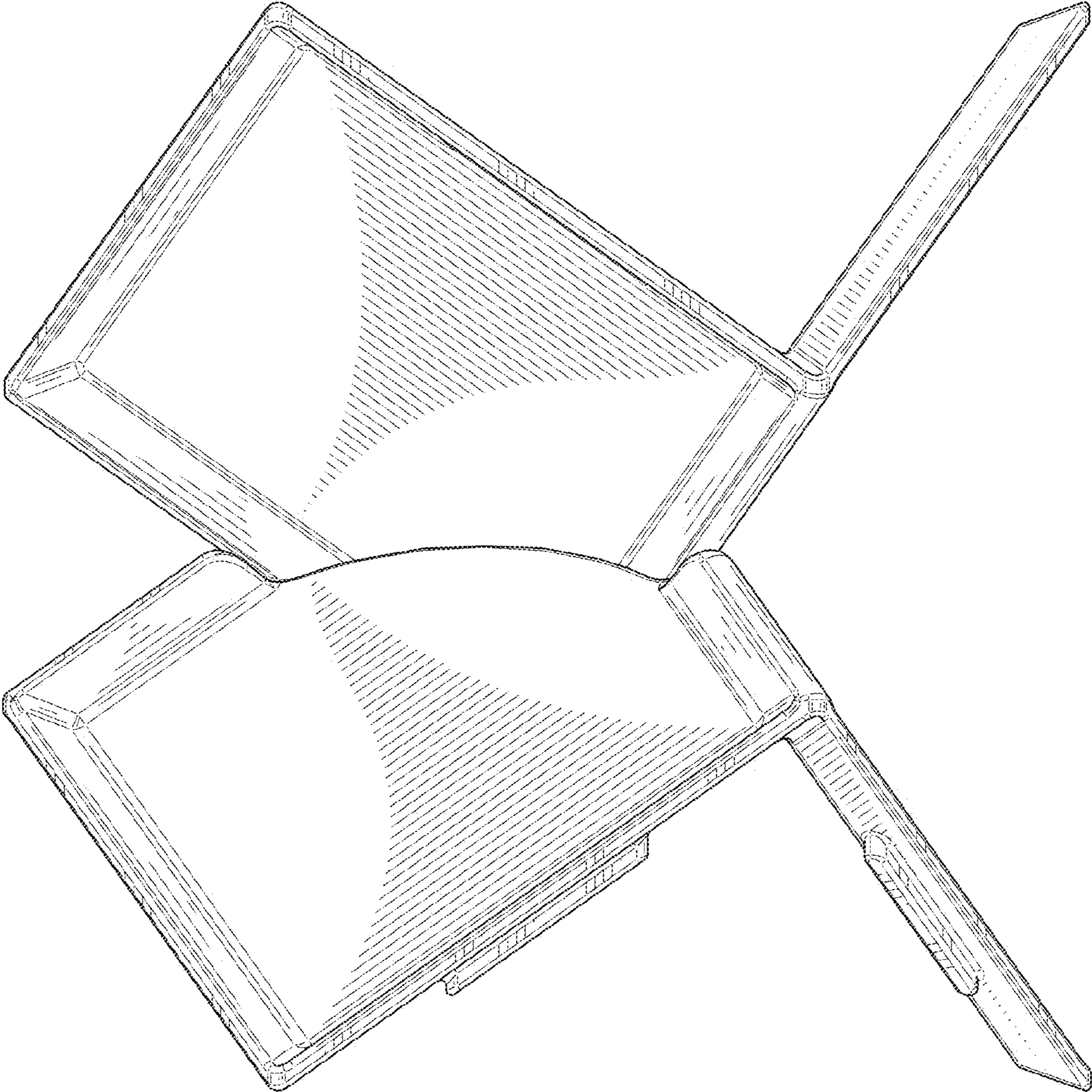


FIG. 9

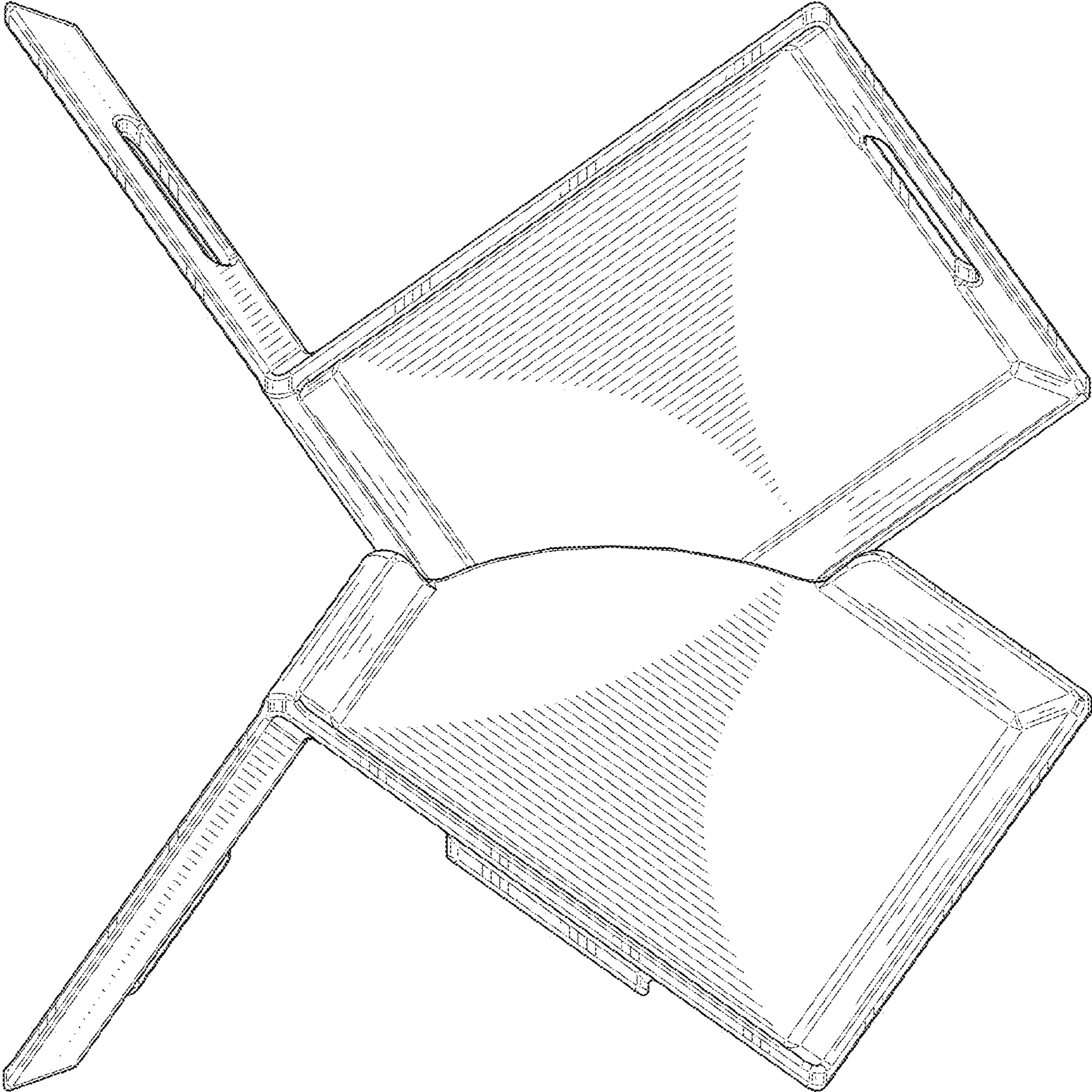


FIG. 10

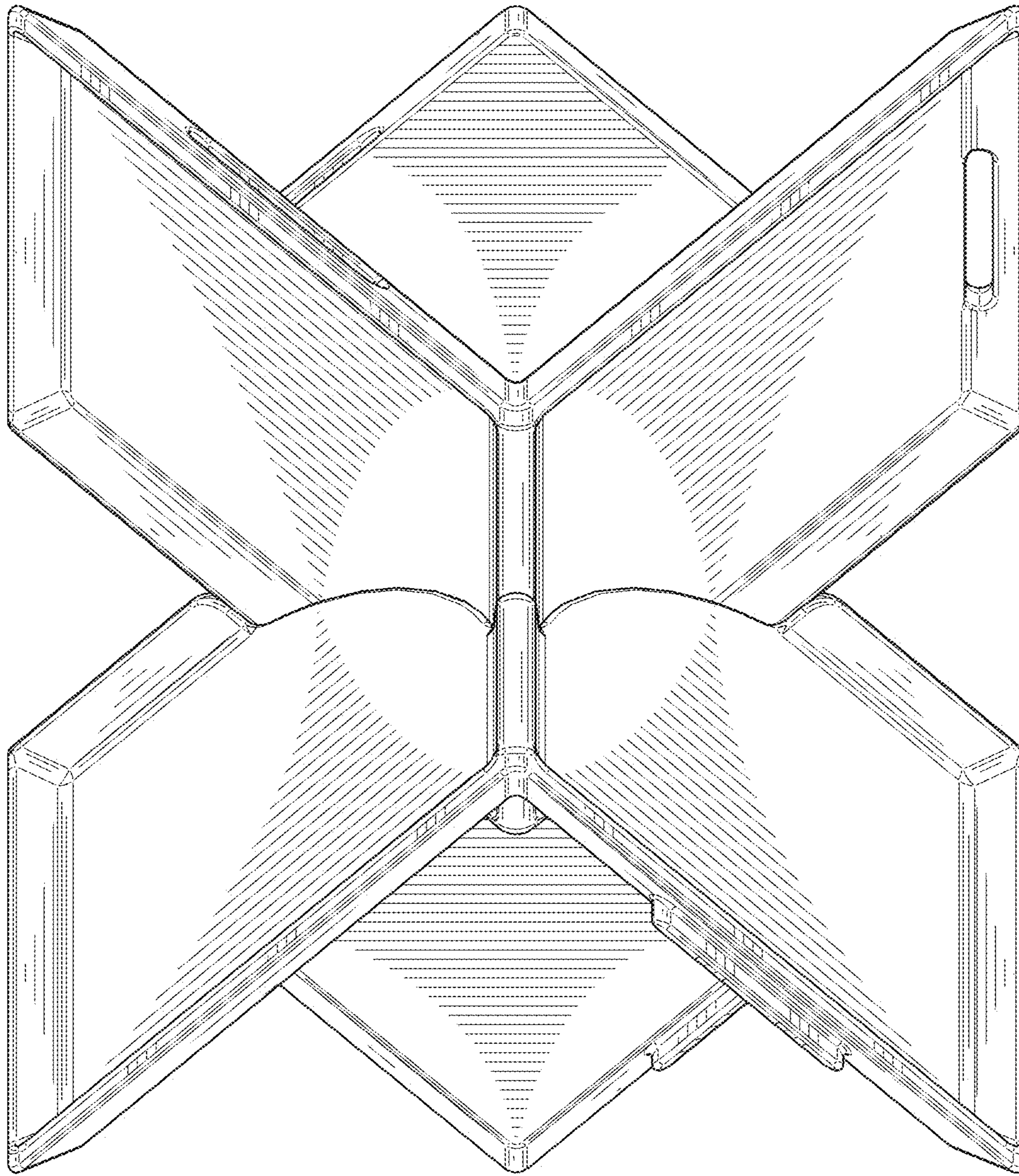


FIG. 11

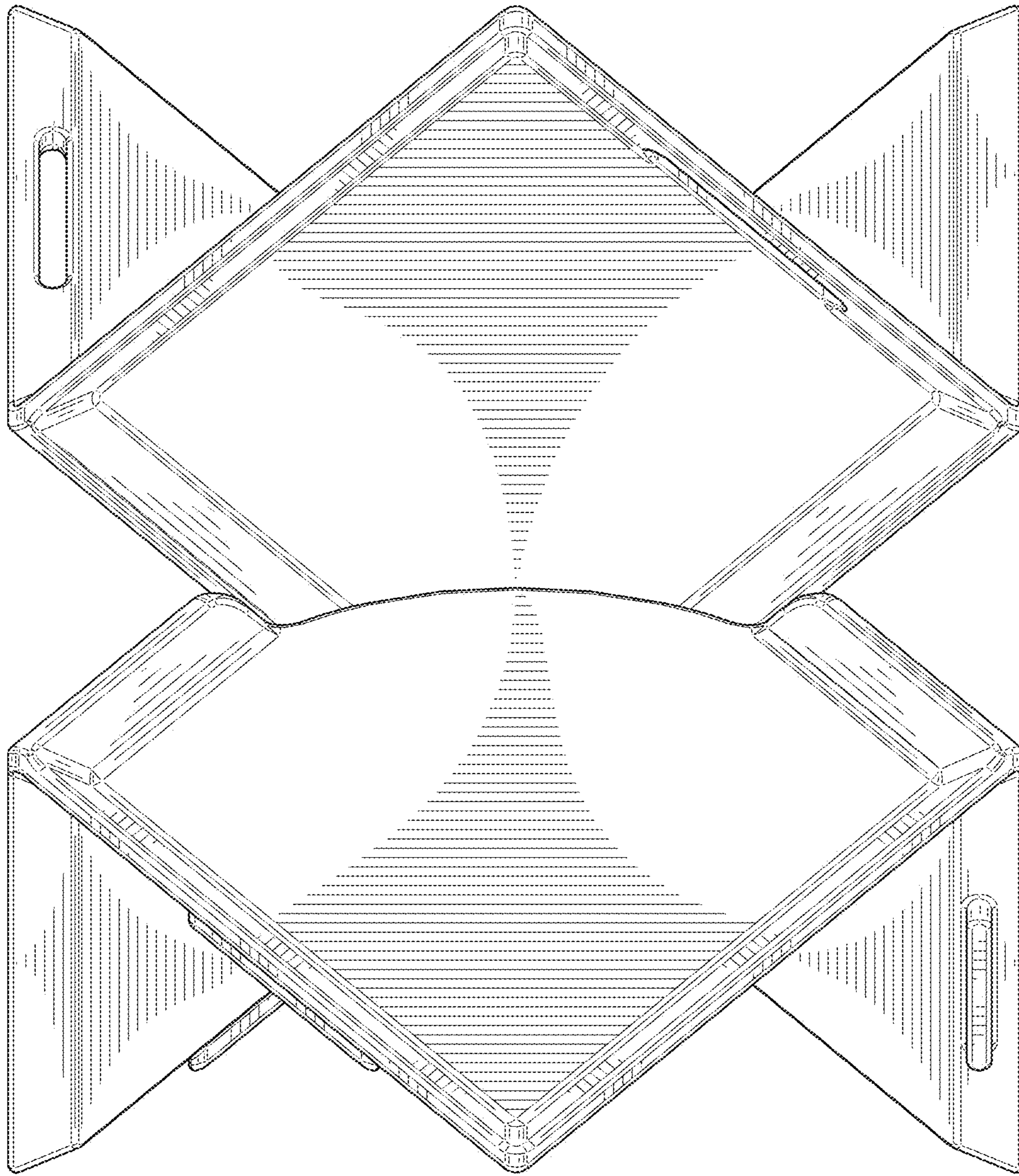


FIG. 12

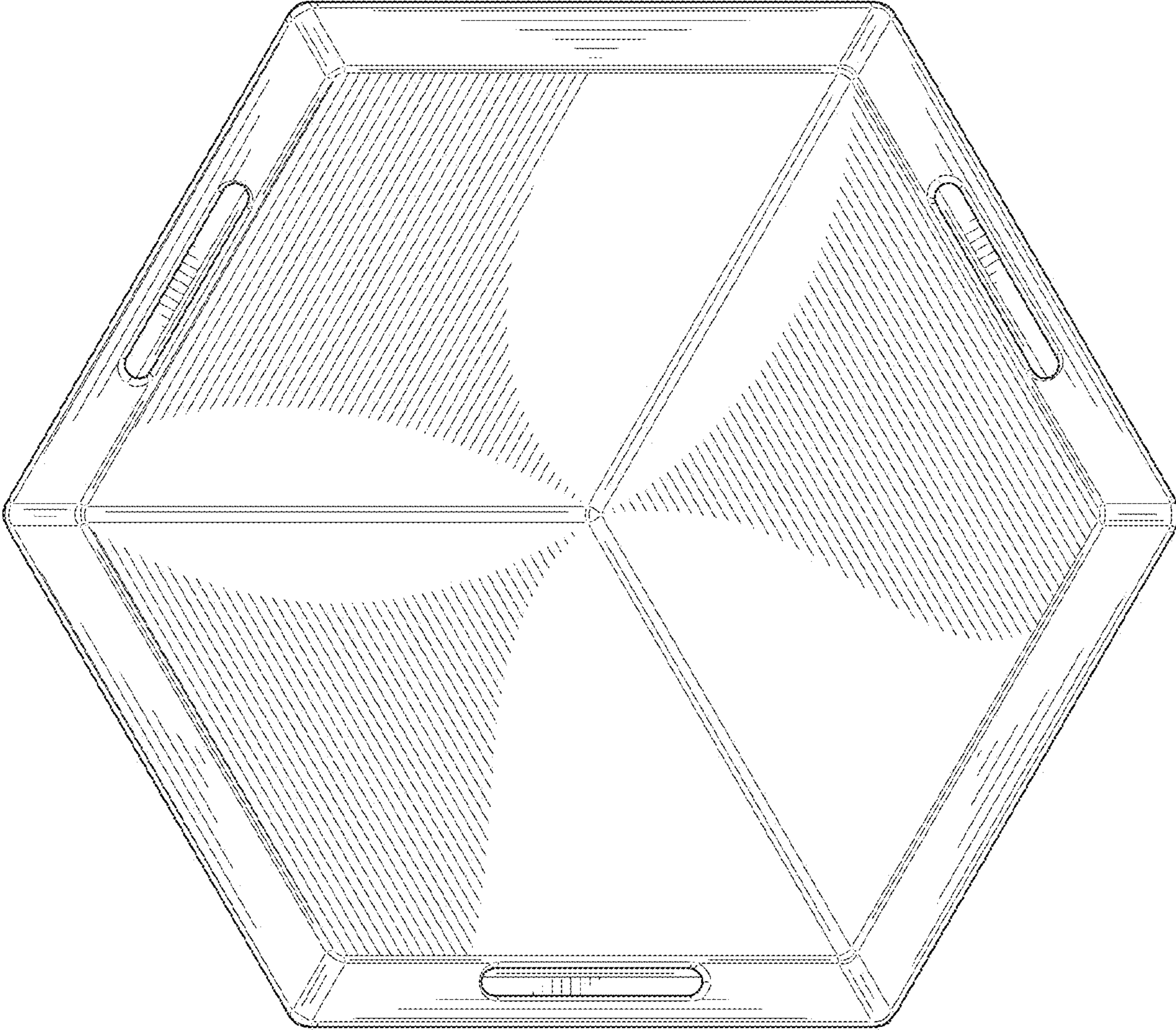


FIG. 13

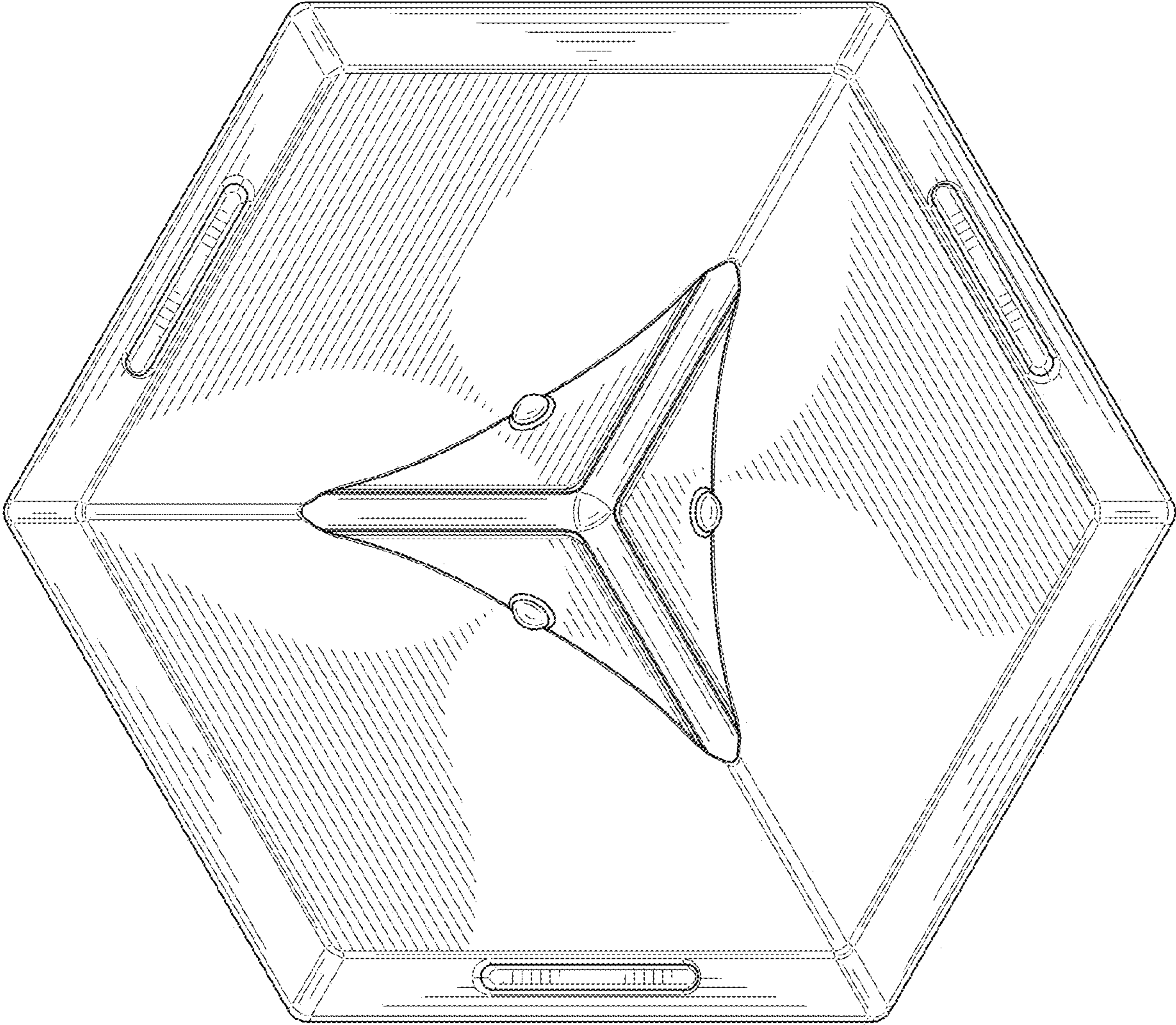


FIG. 14

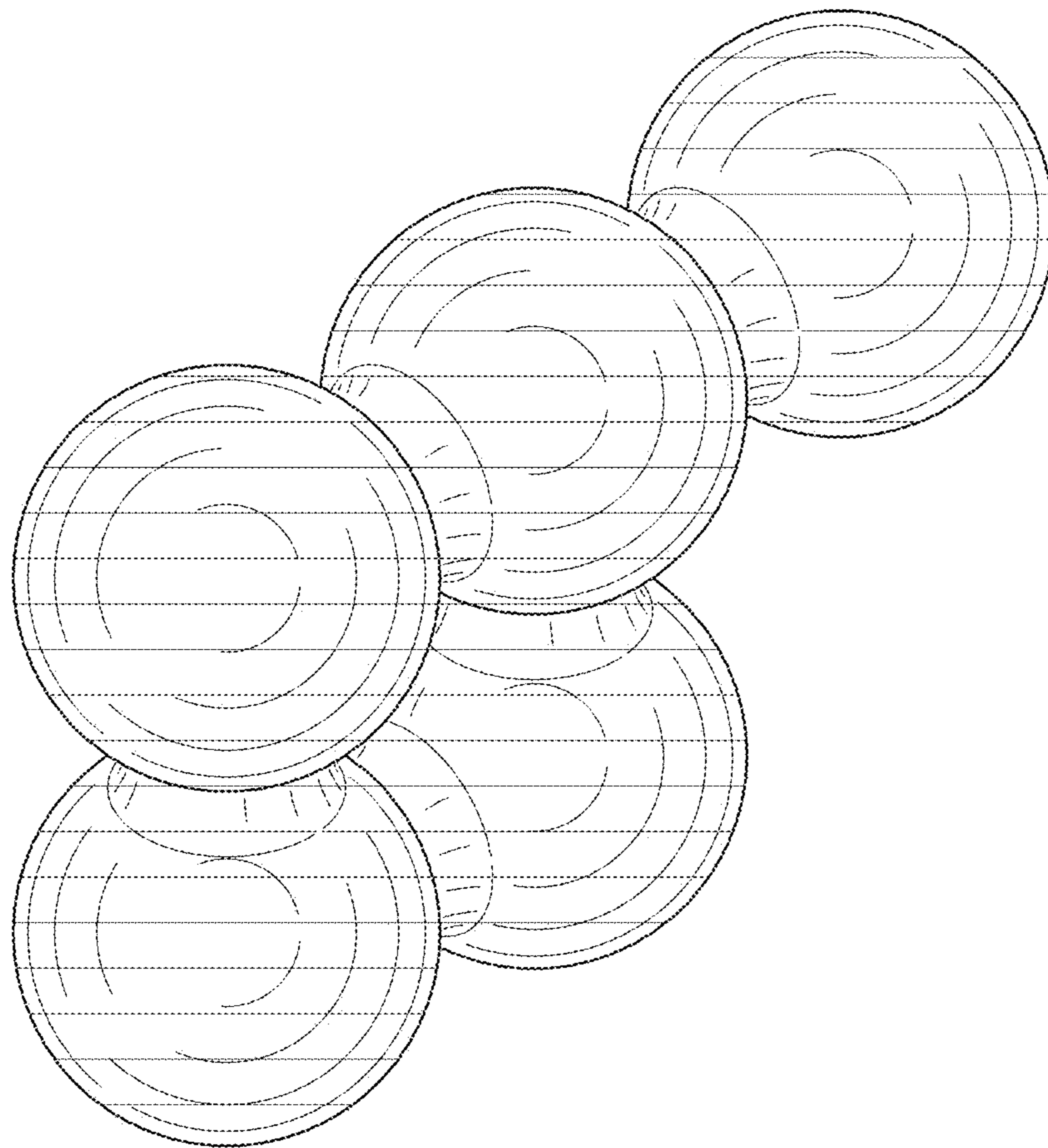


FIG. 15

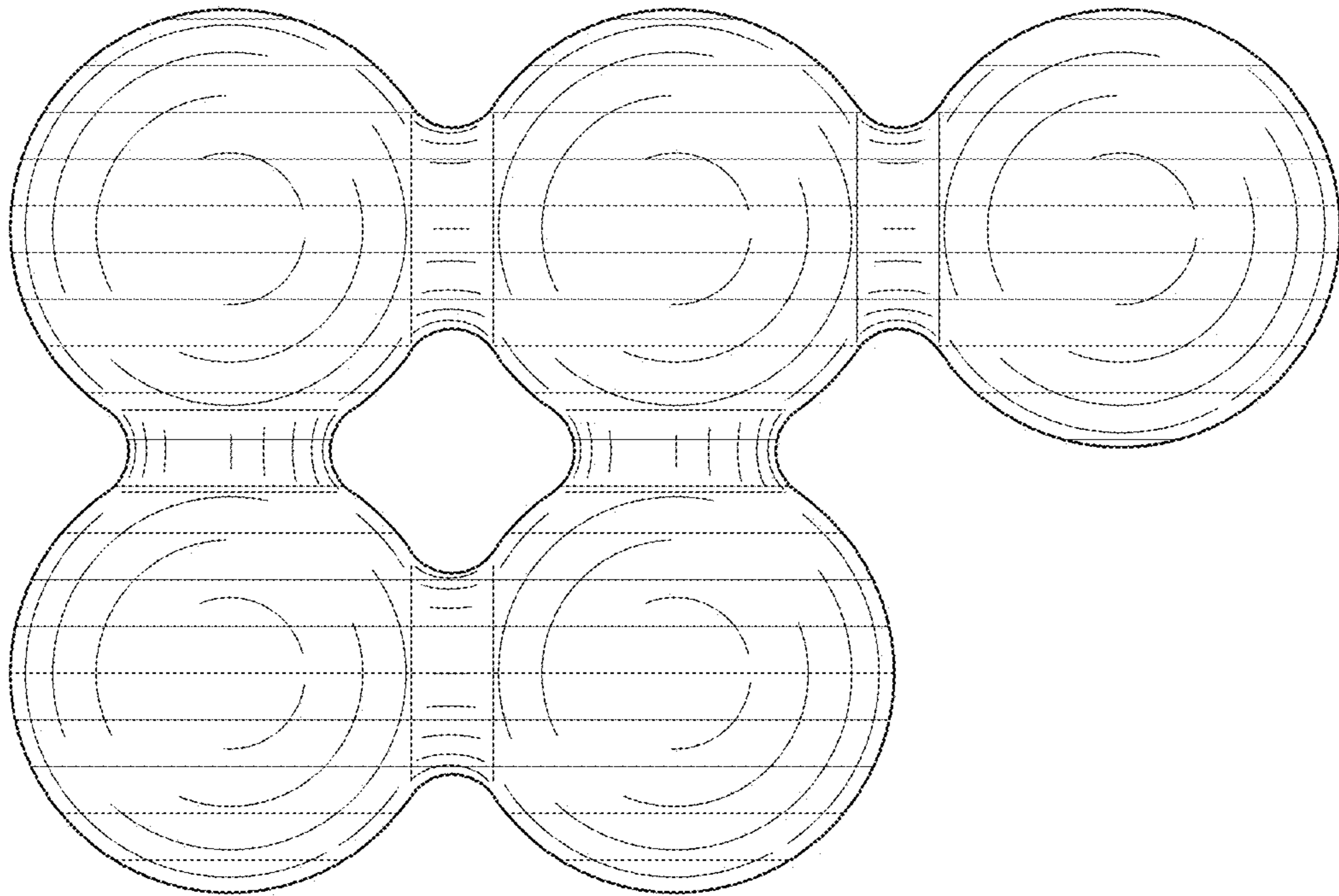


FIG. 16

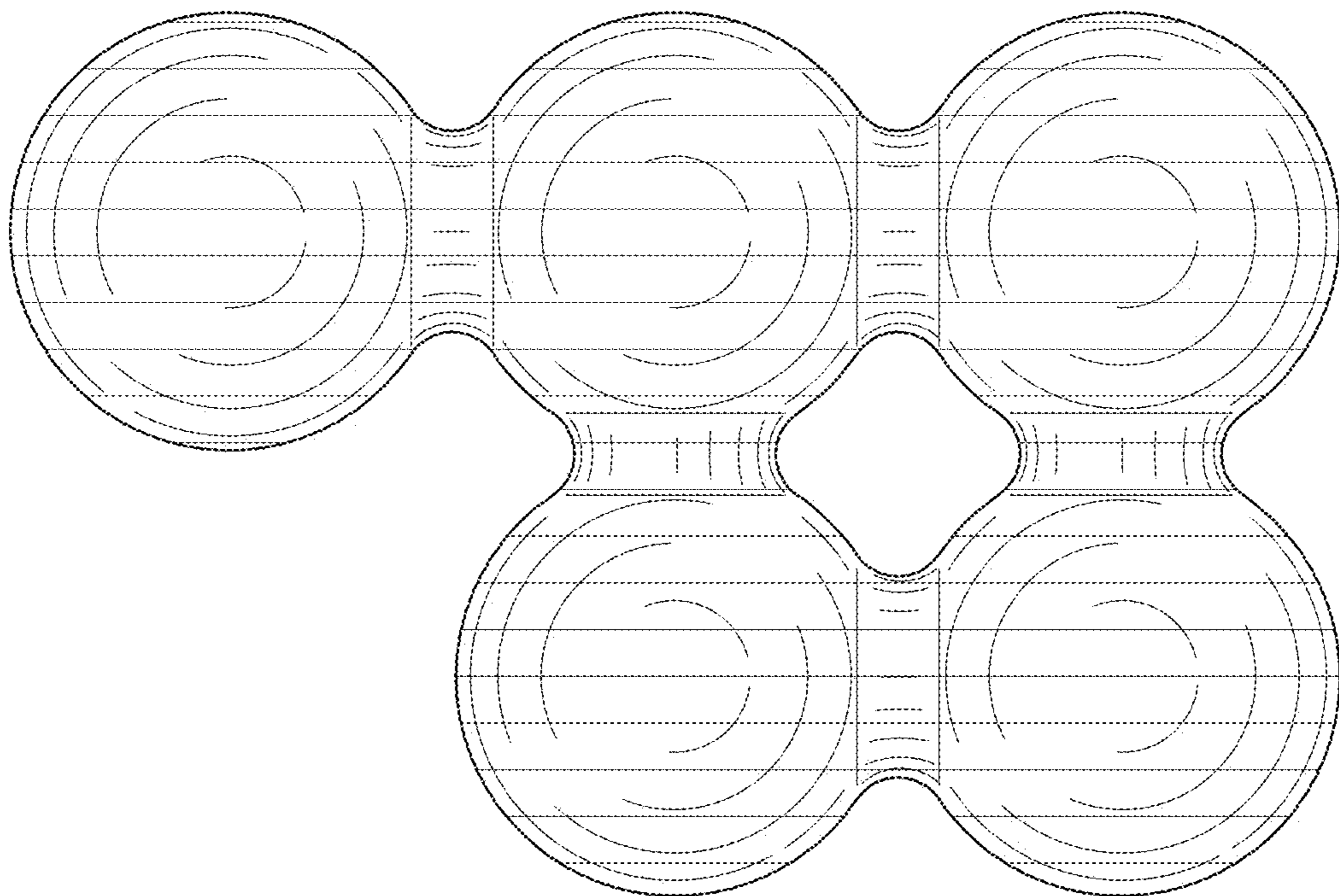


FIG. 17

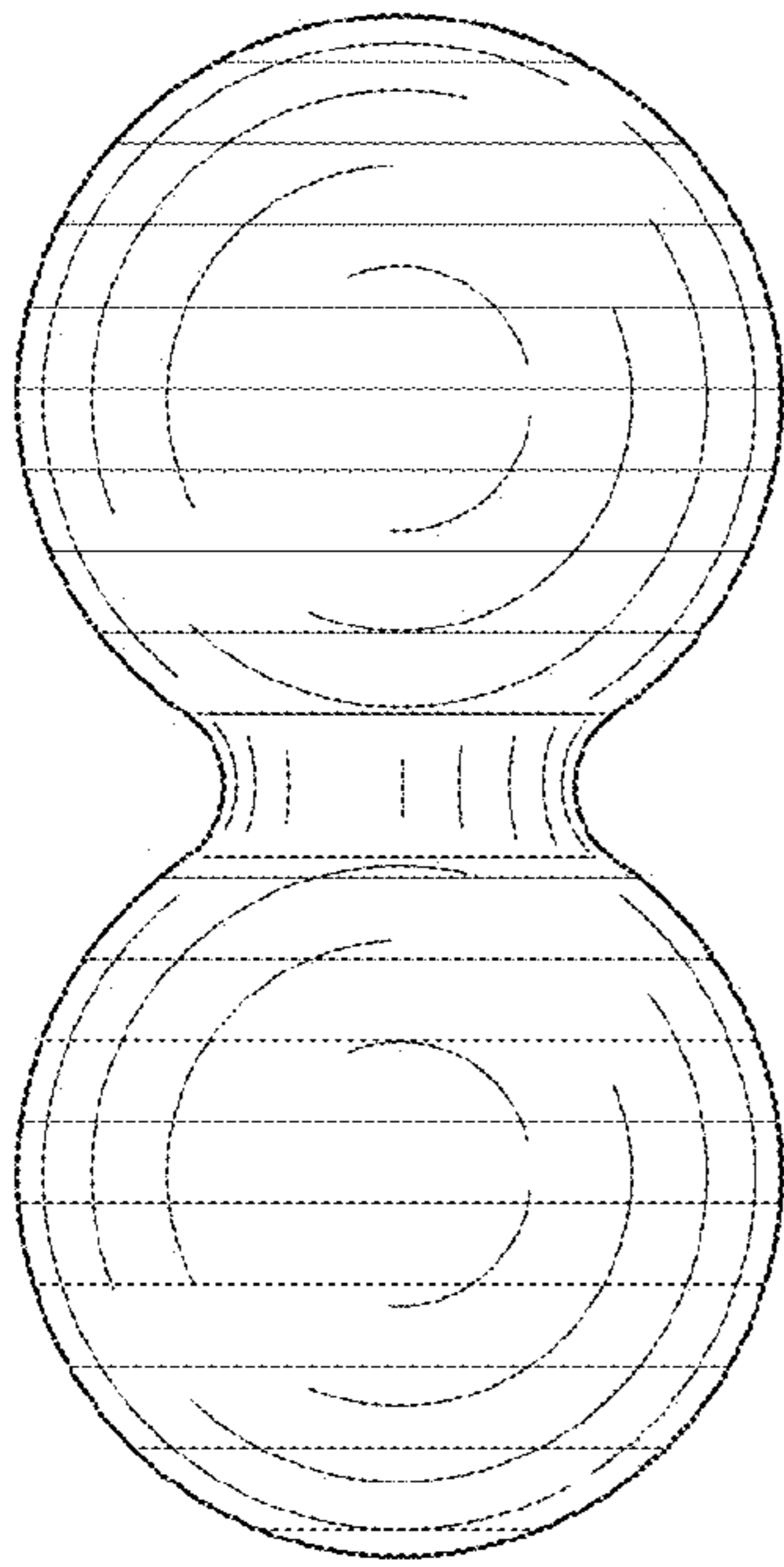


FIG. 18

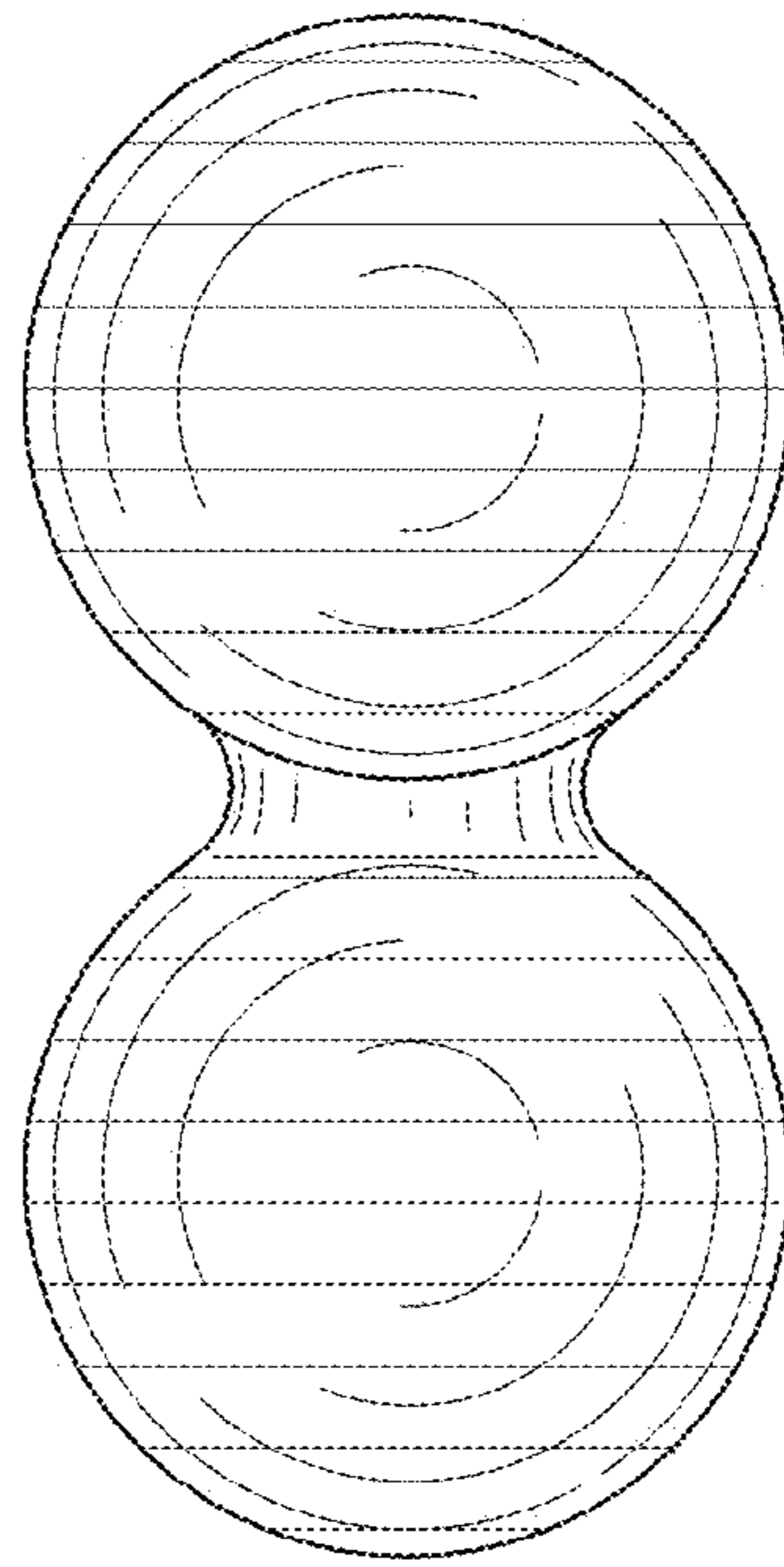


FIG. 19

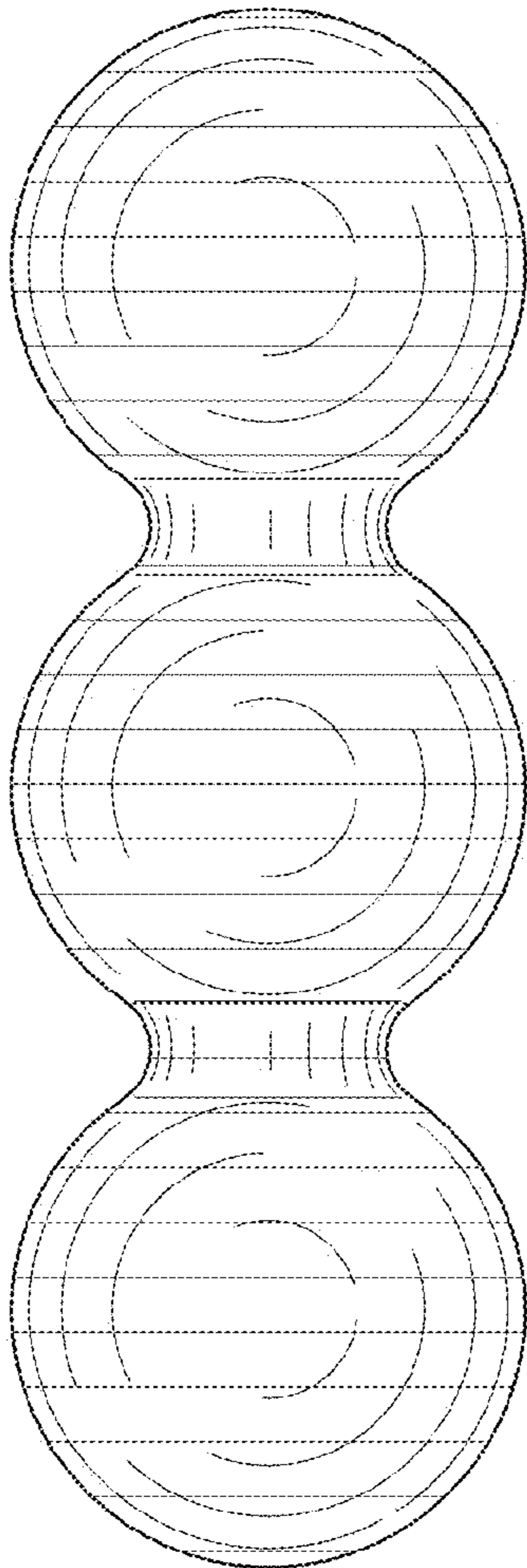


FIG. 20

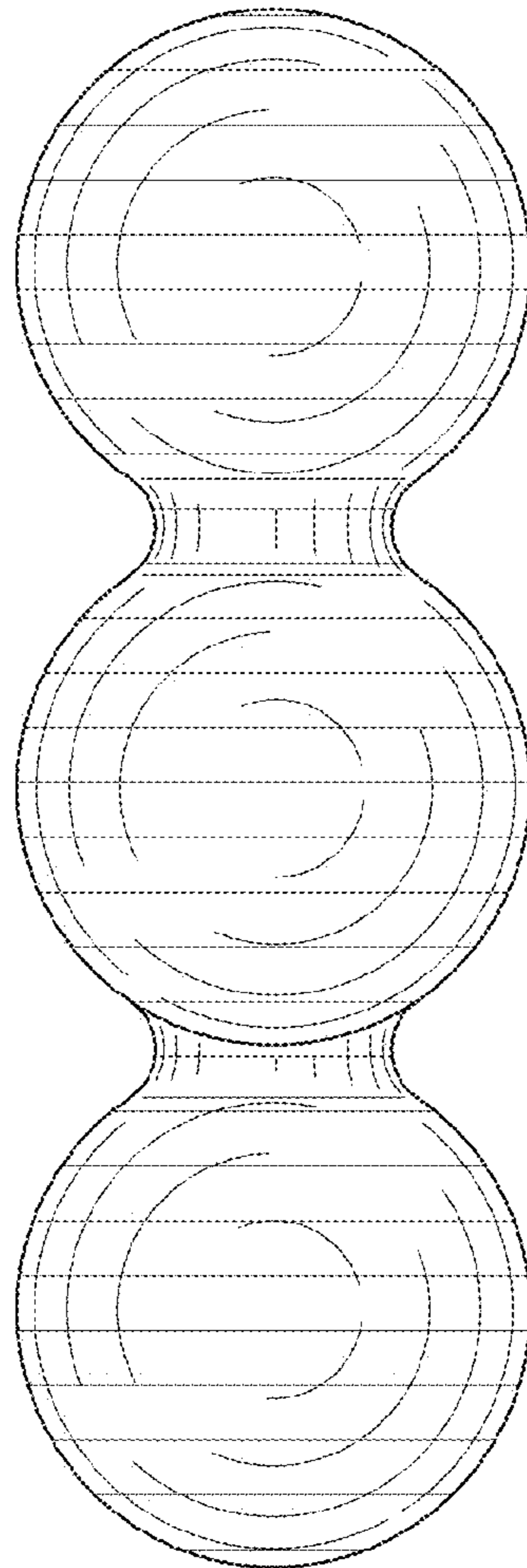


FIG. 21

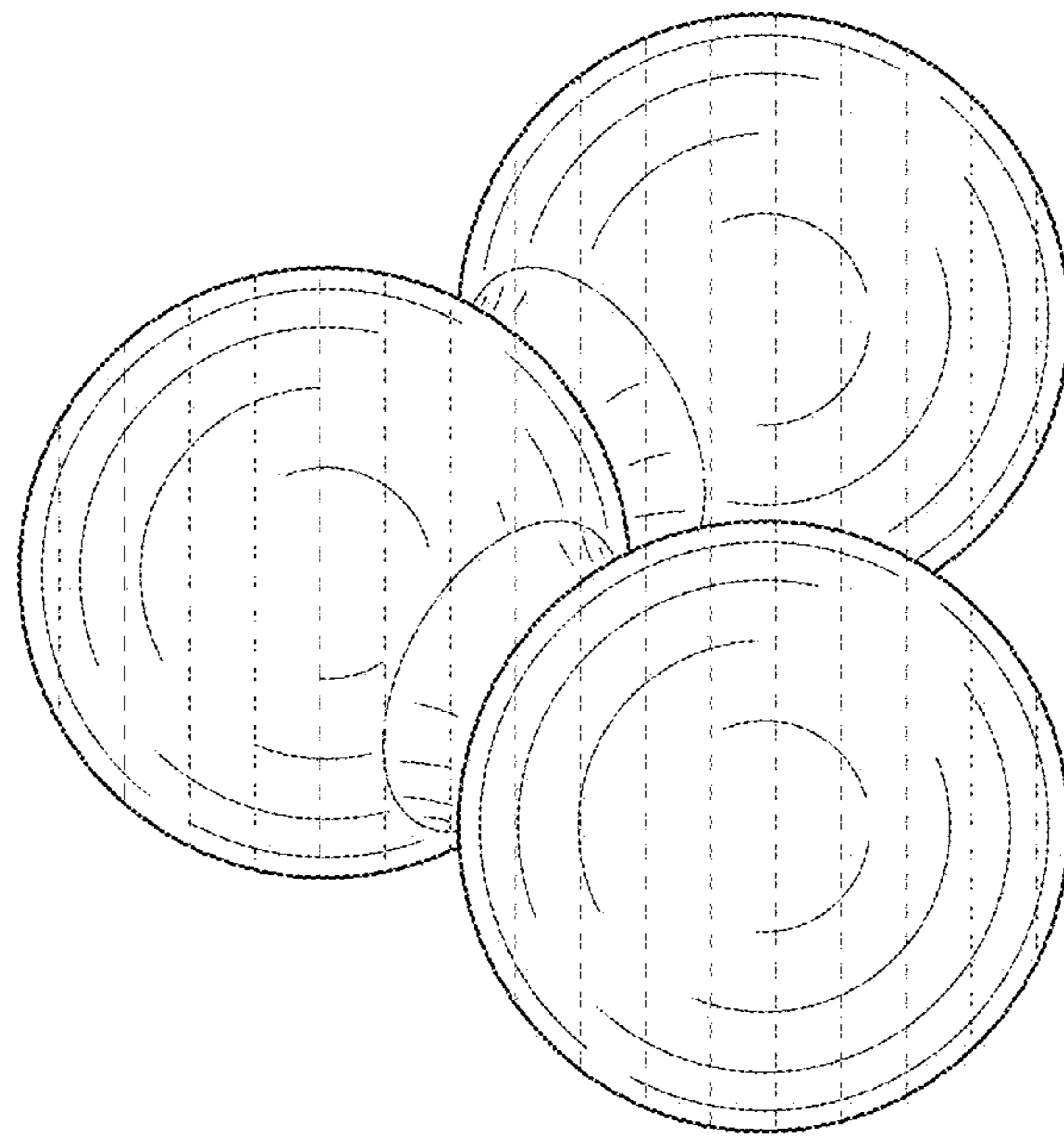


FIG. 22

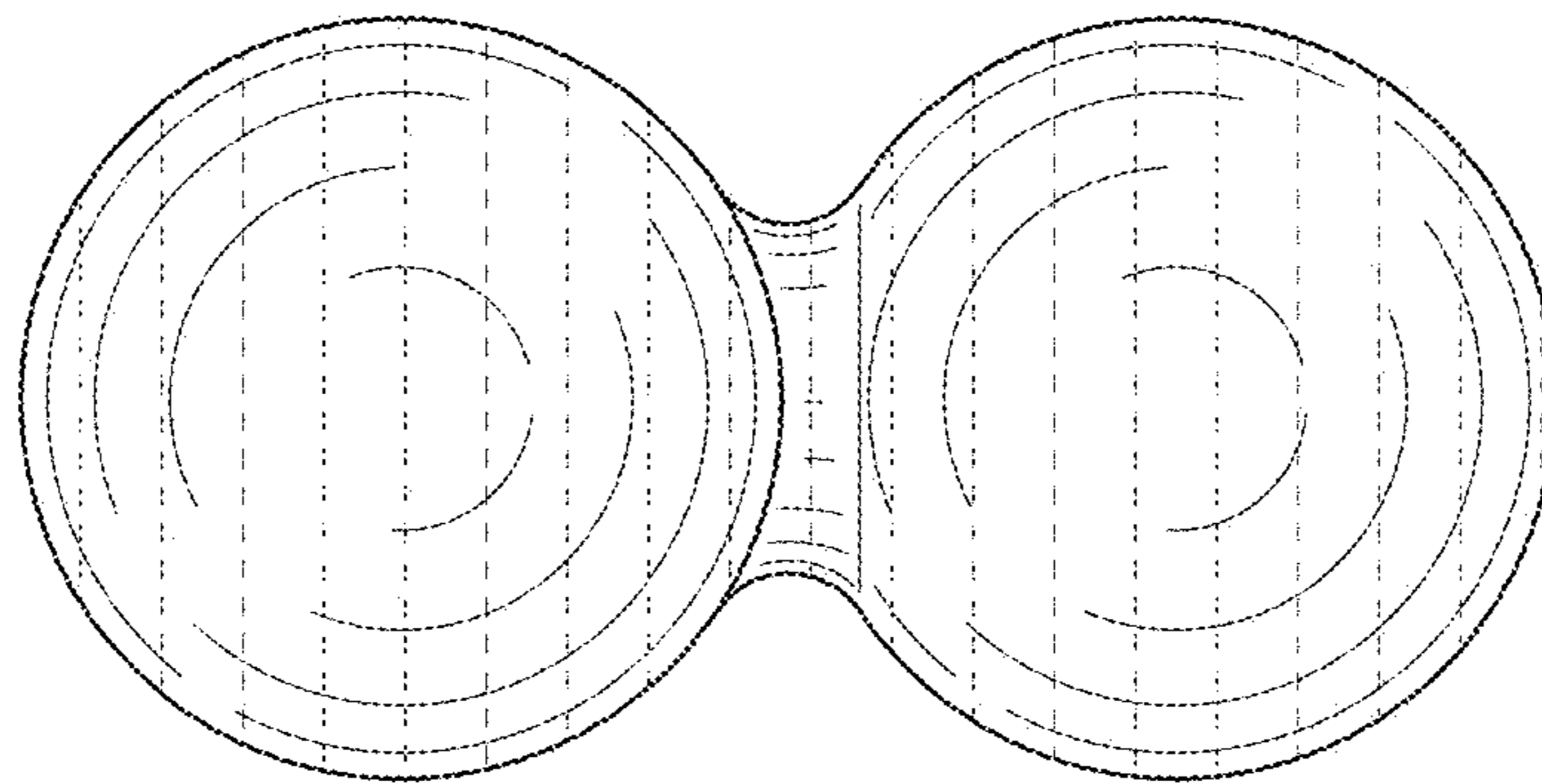


FIG. 23

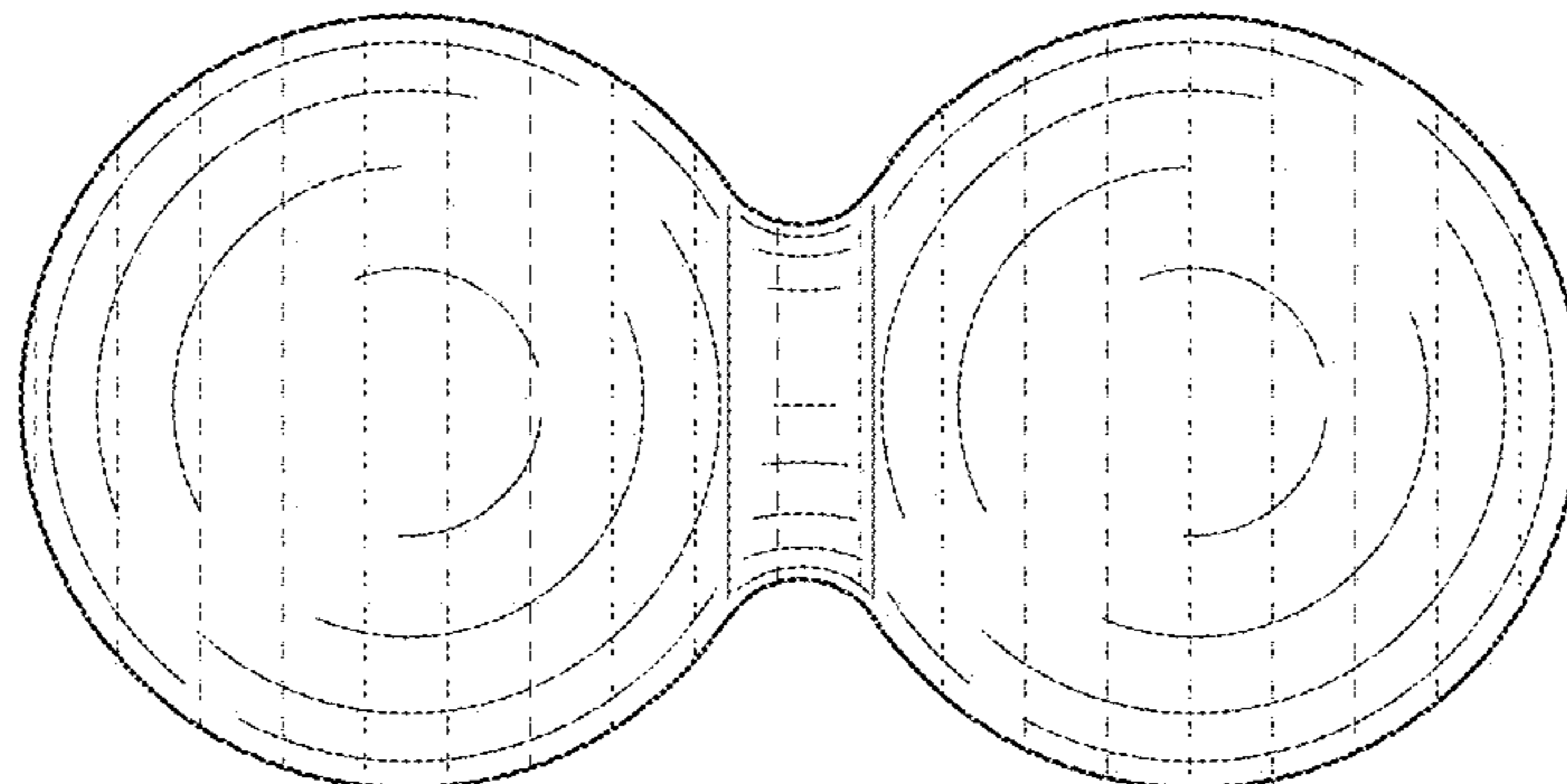


FIG. 24

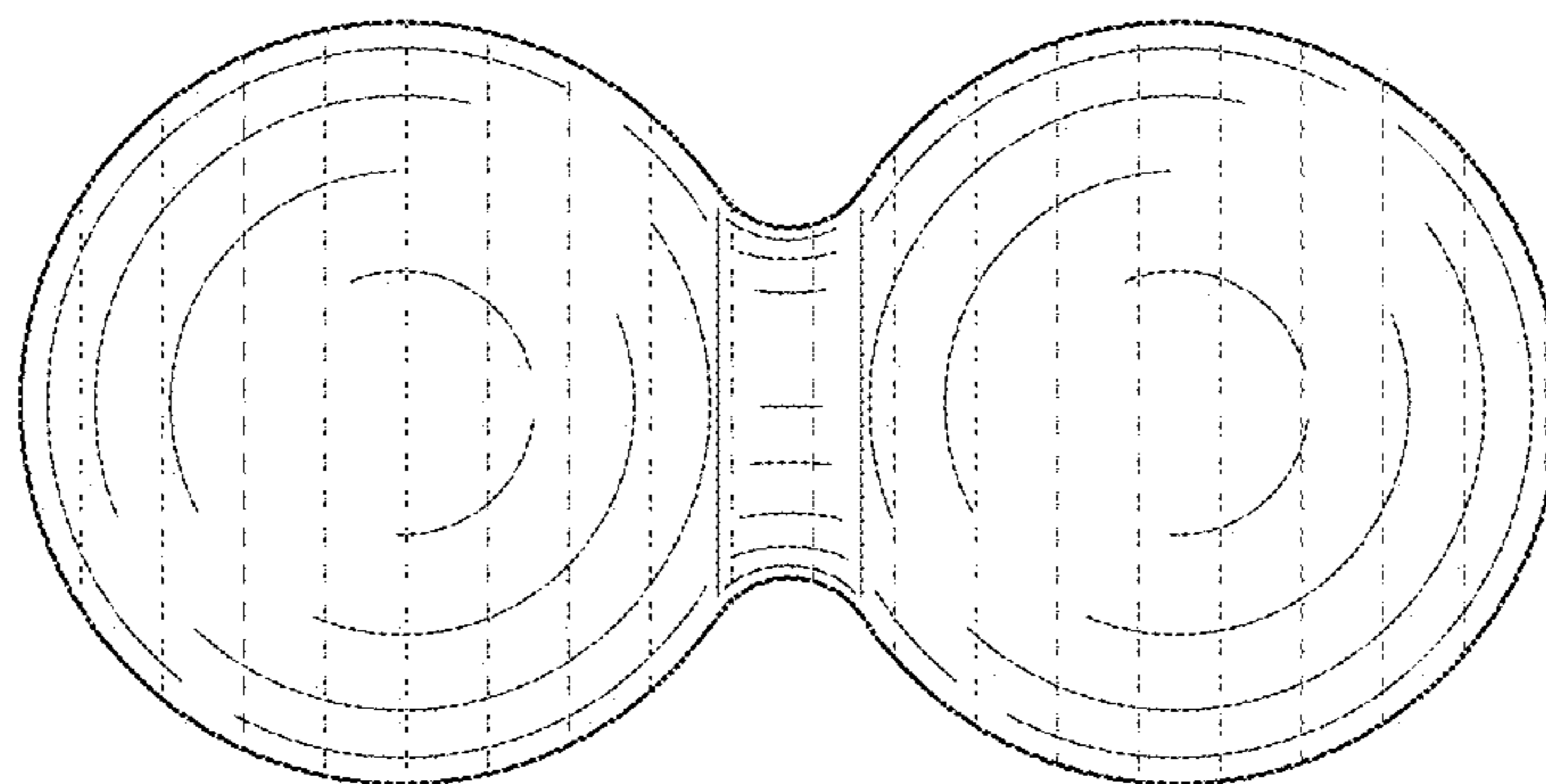


FIG. 25

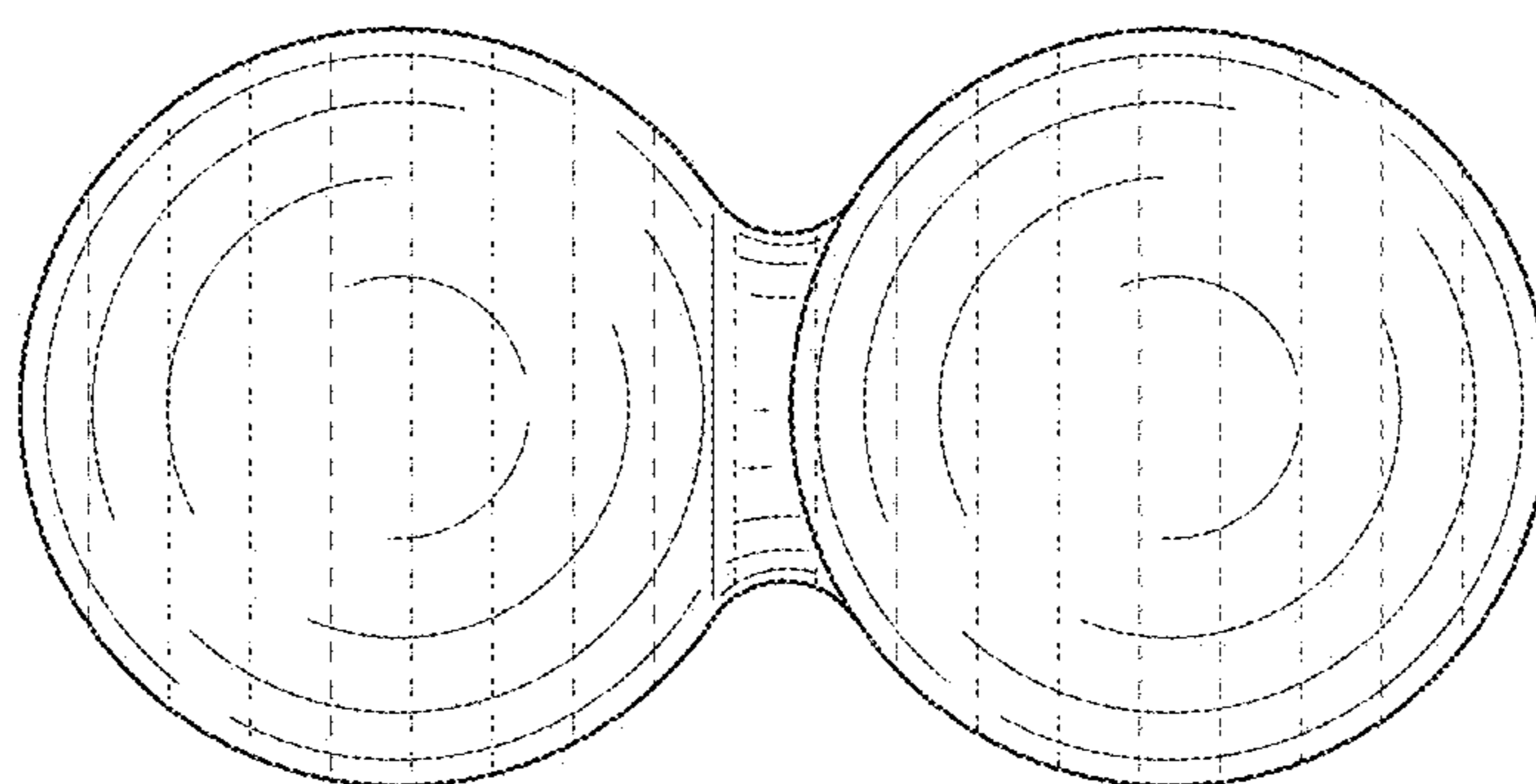


FIG. 26

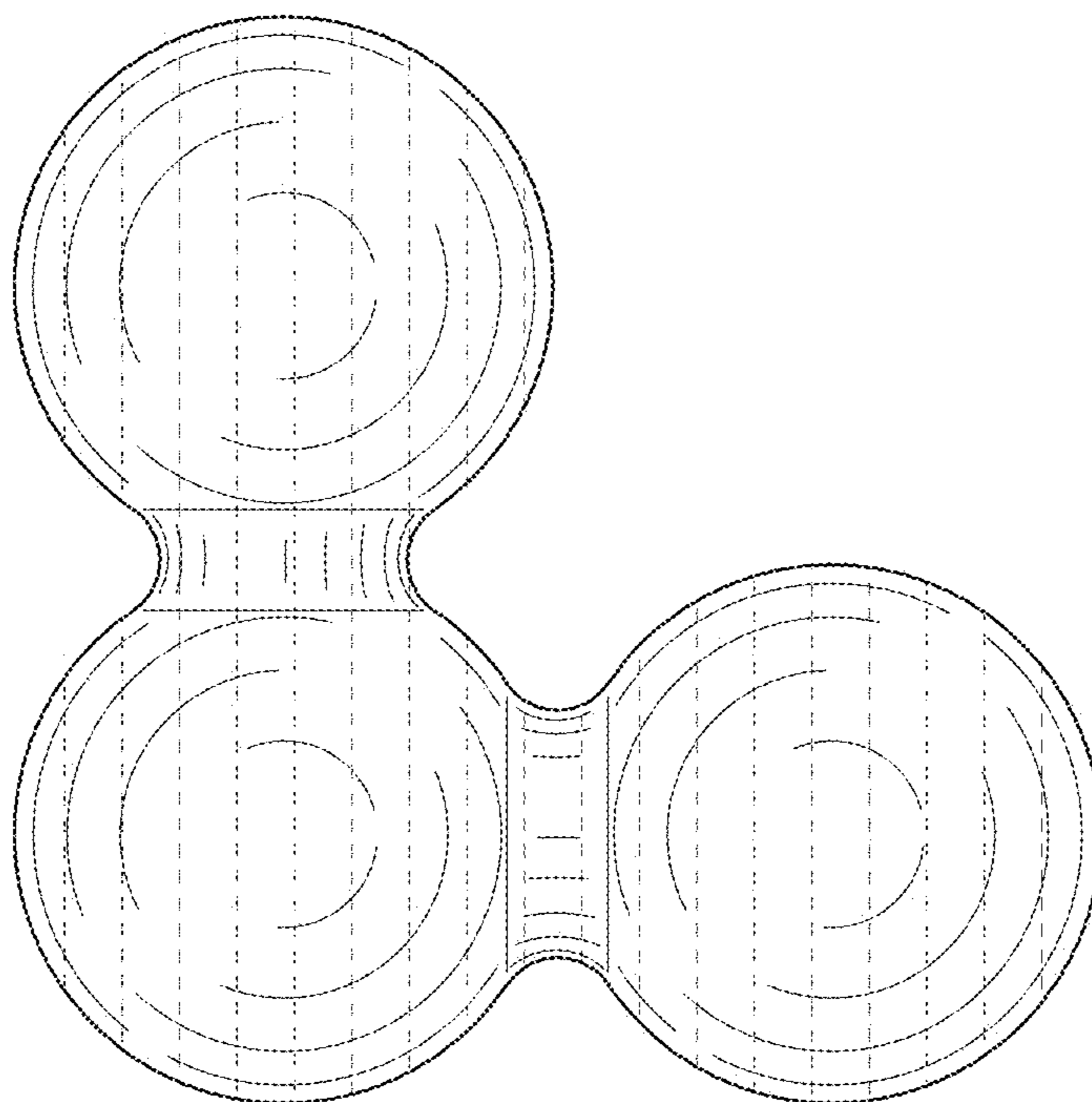


FIG. 27

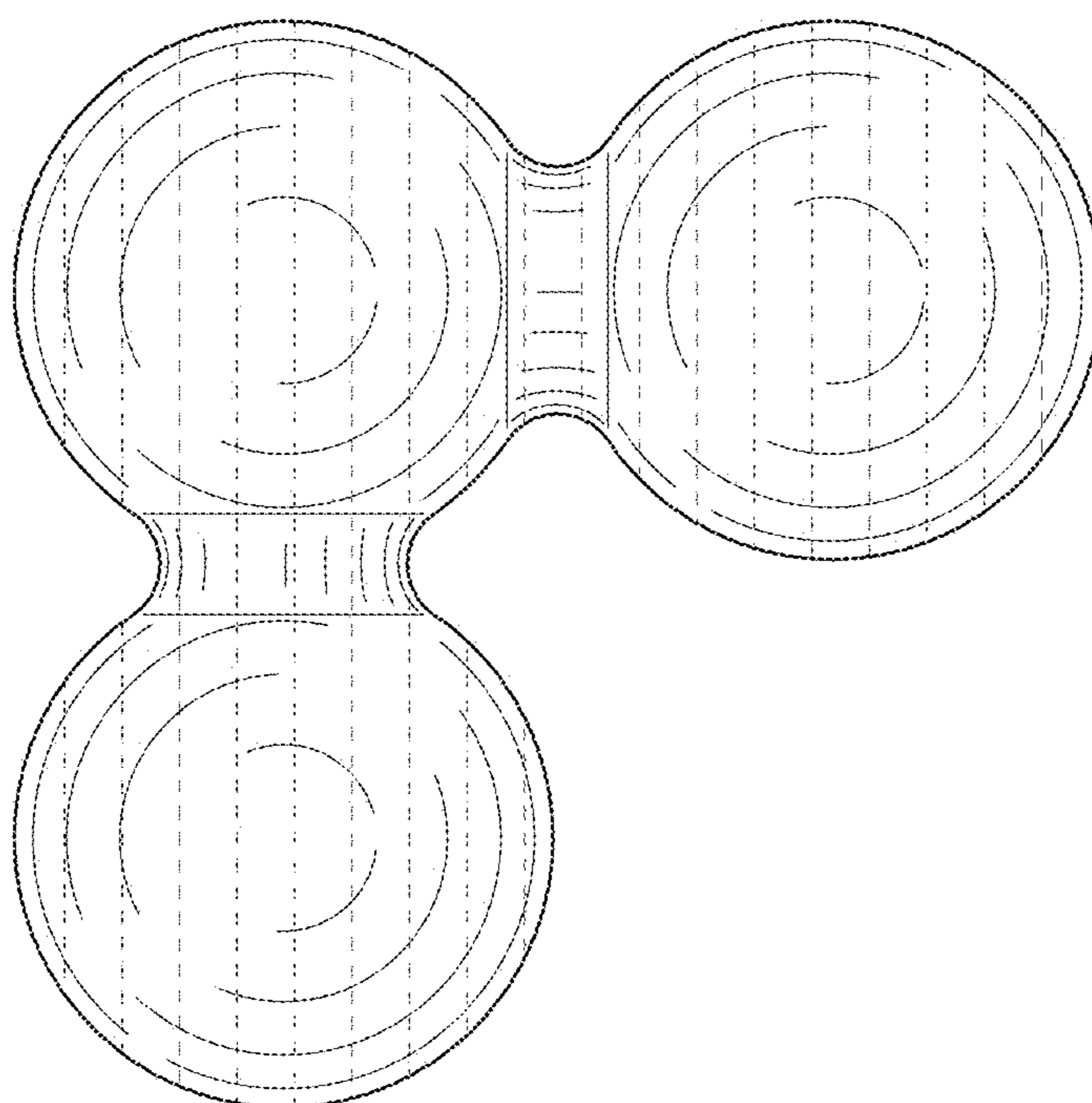


FIG. 28

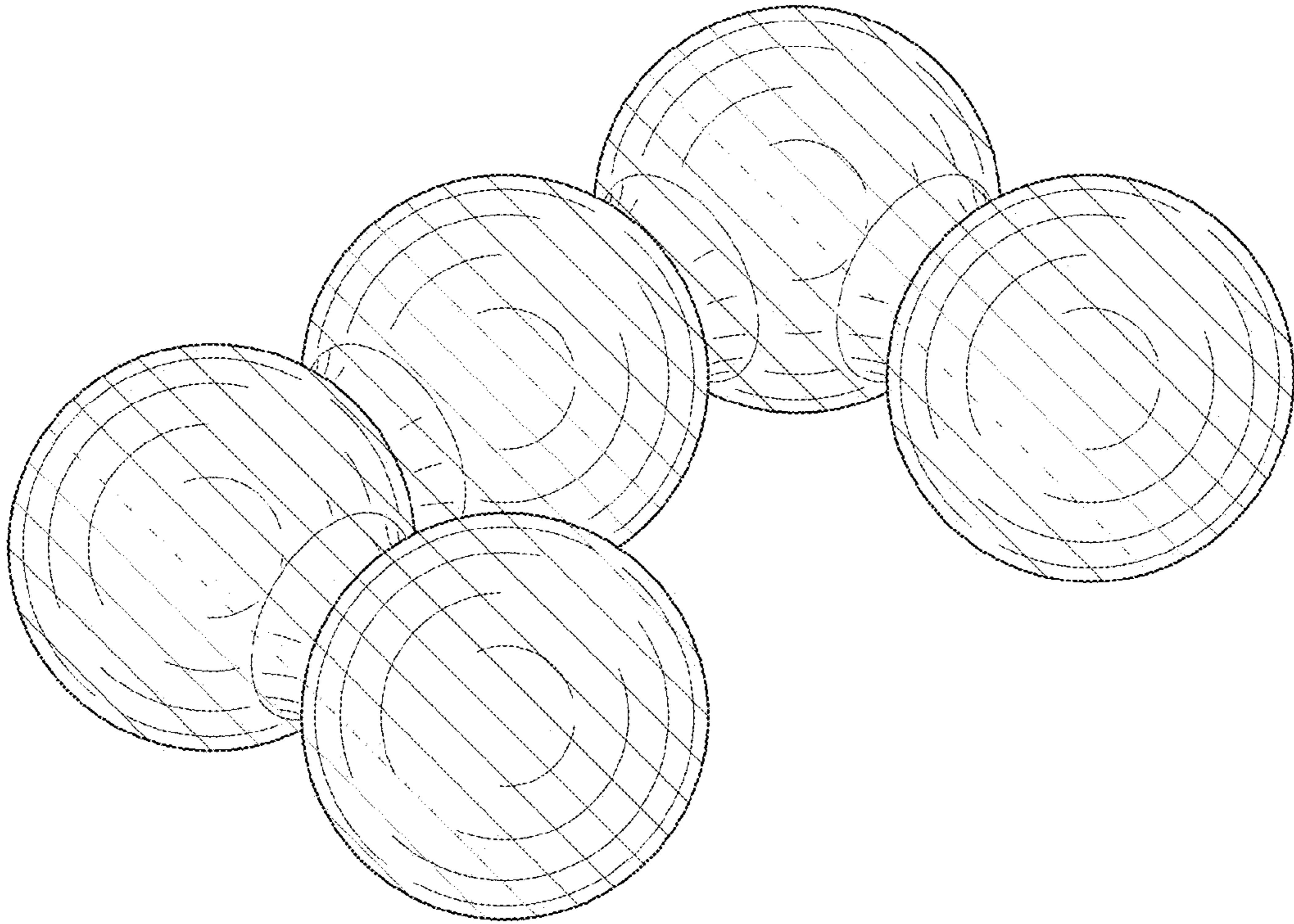


FIG. 29

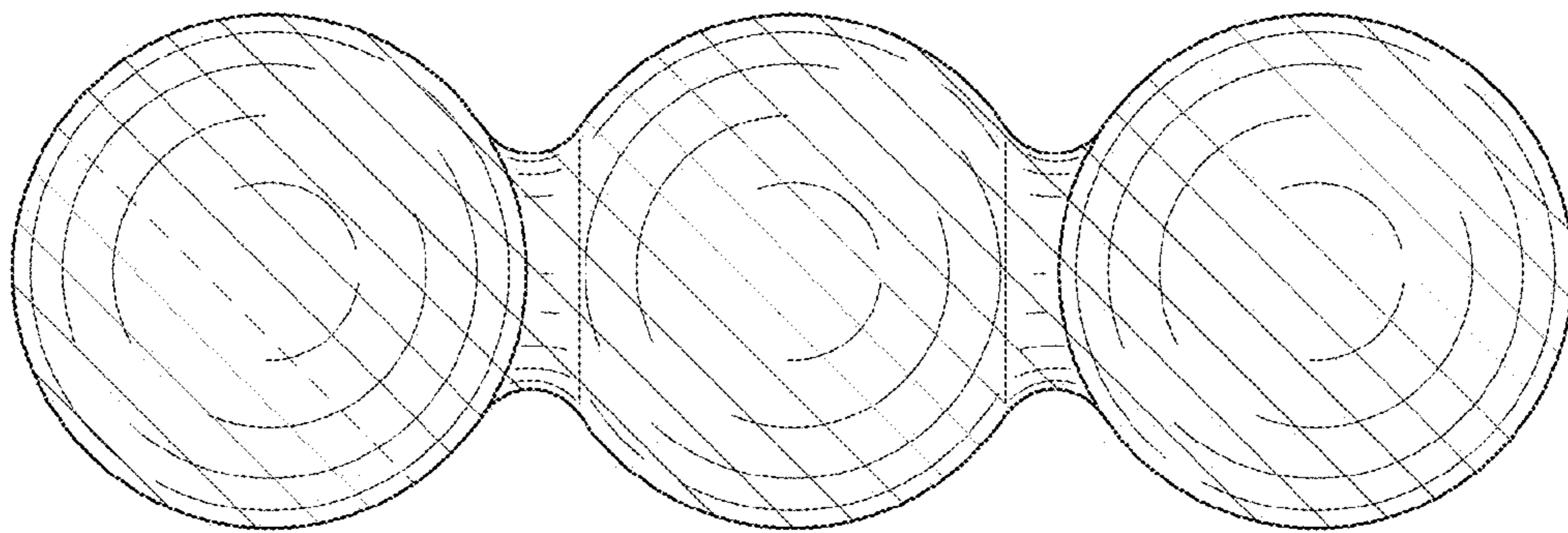


FIG. 30

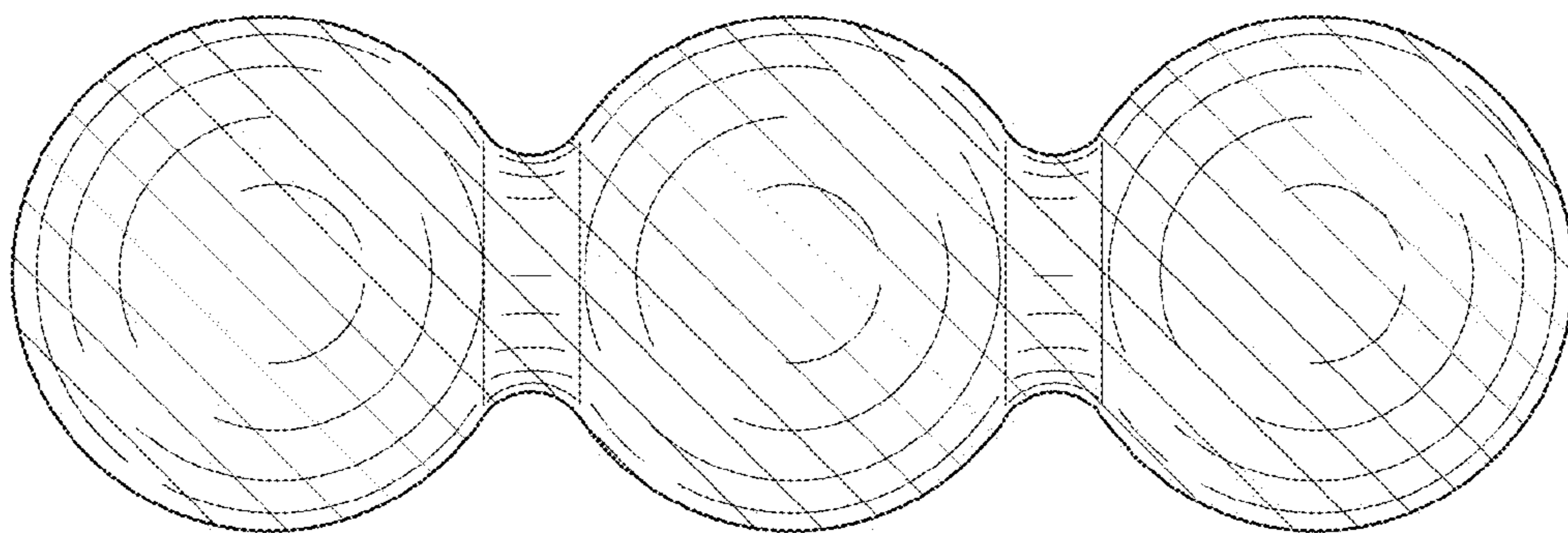


FIG. 31

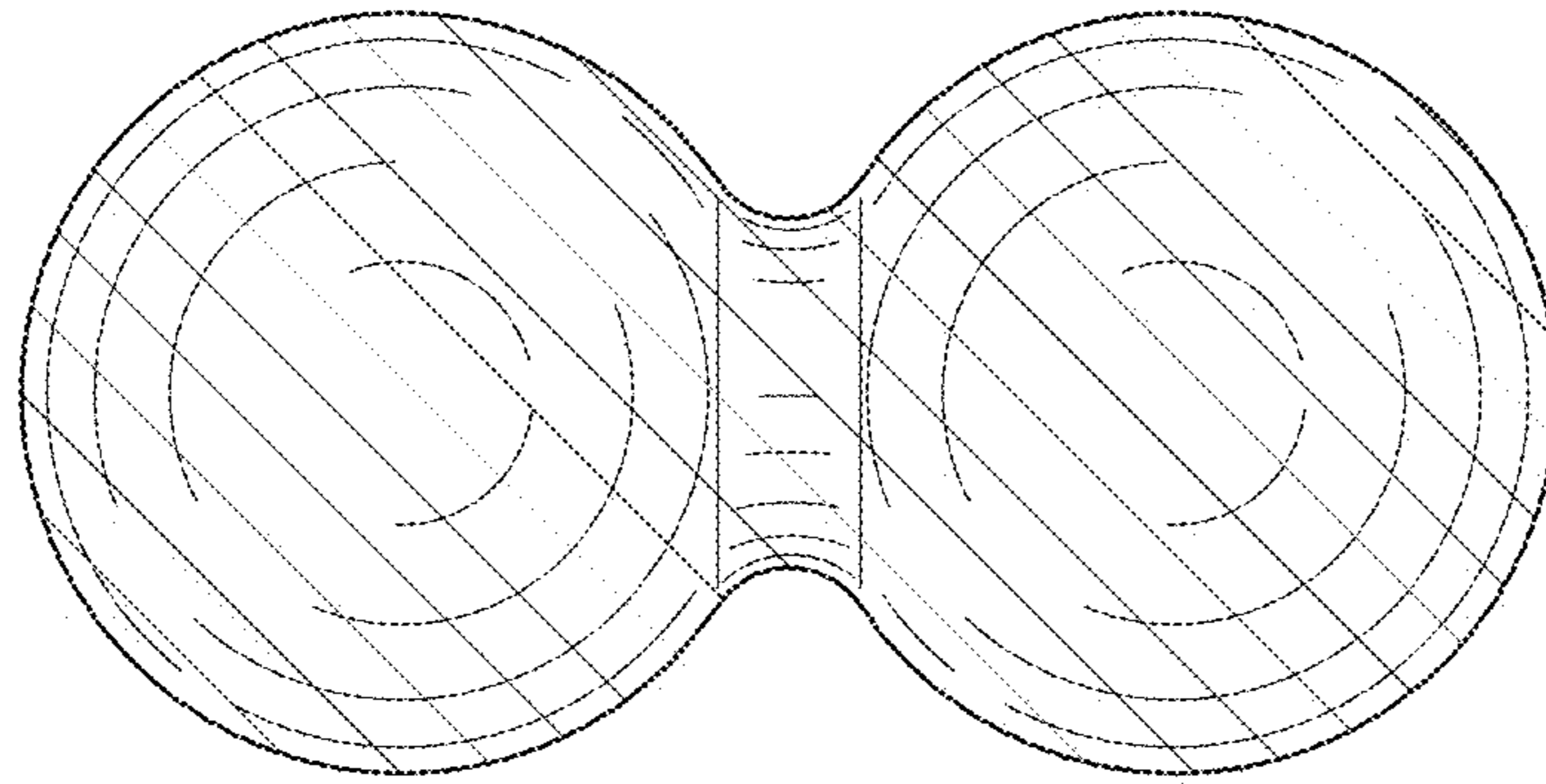


FIG. 32

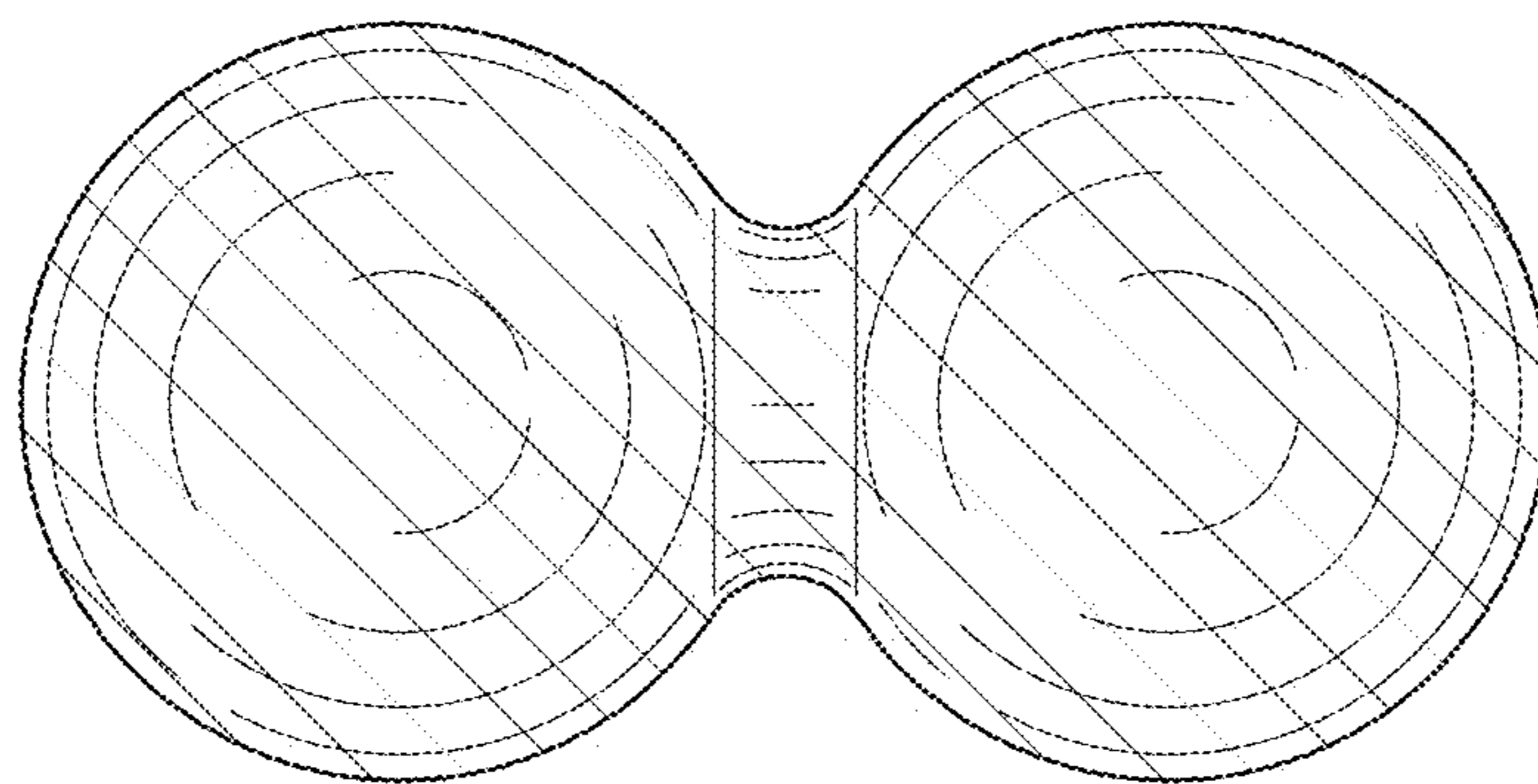


FIG. 33

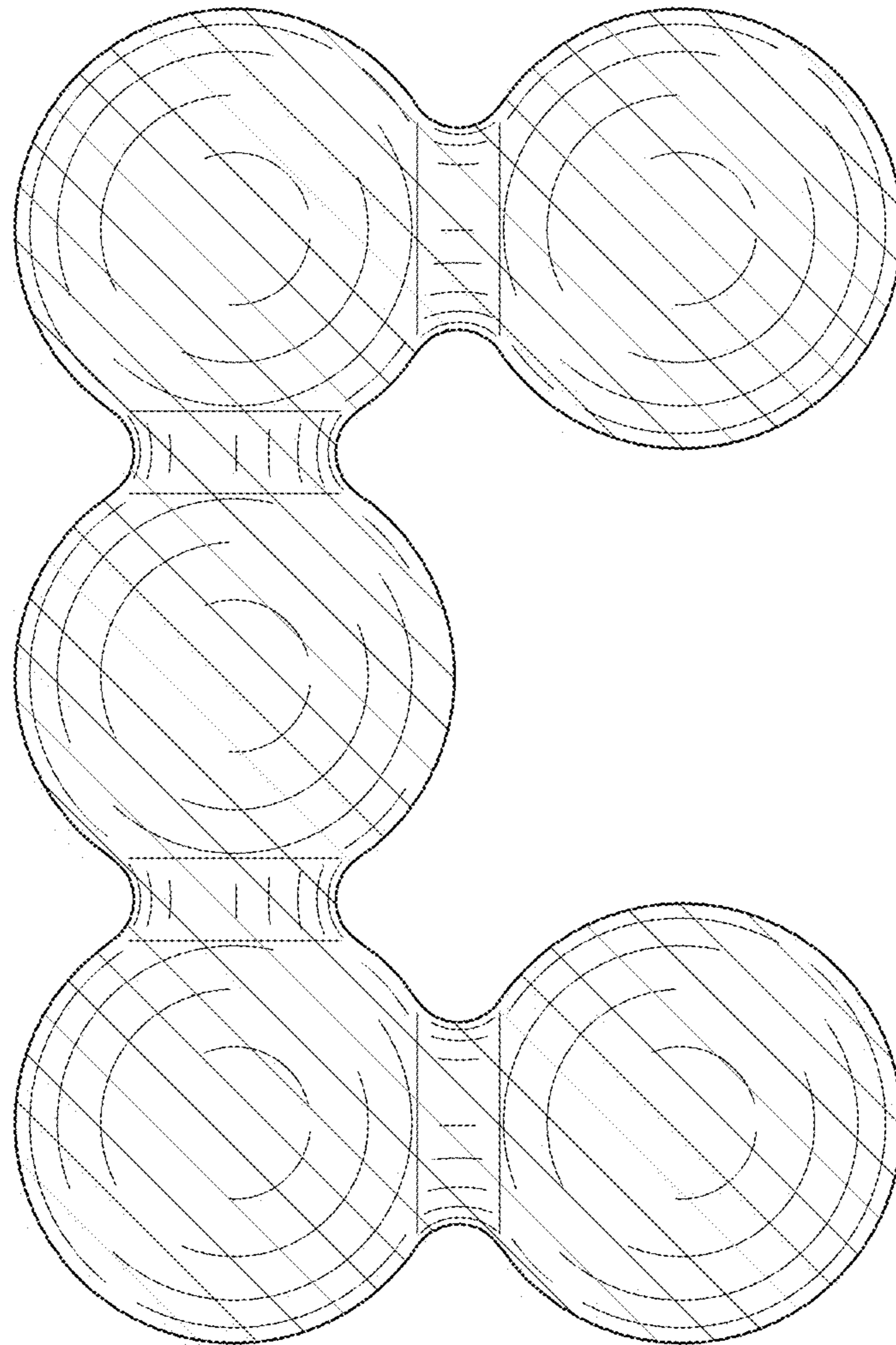


FIG. 34

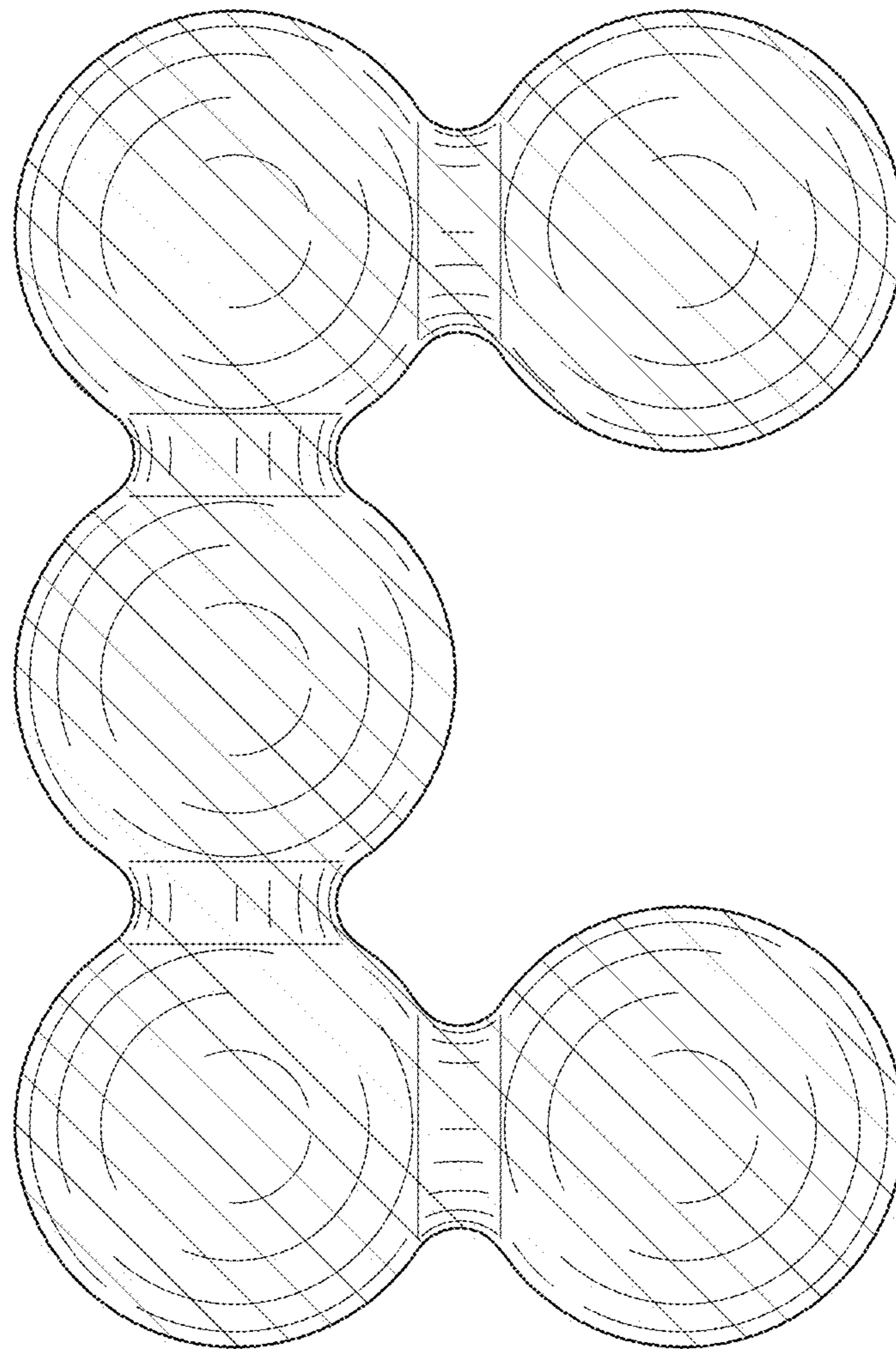


FIG. 35

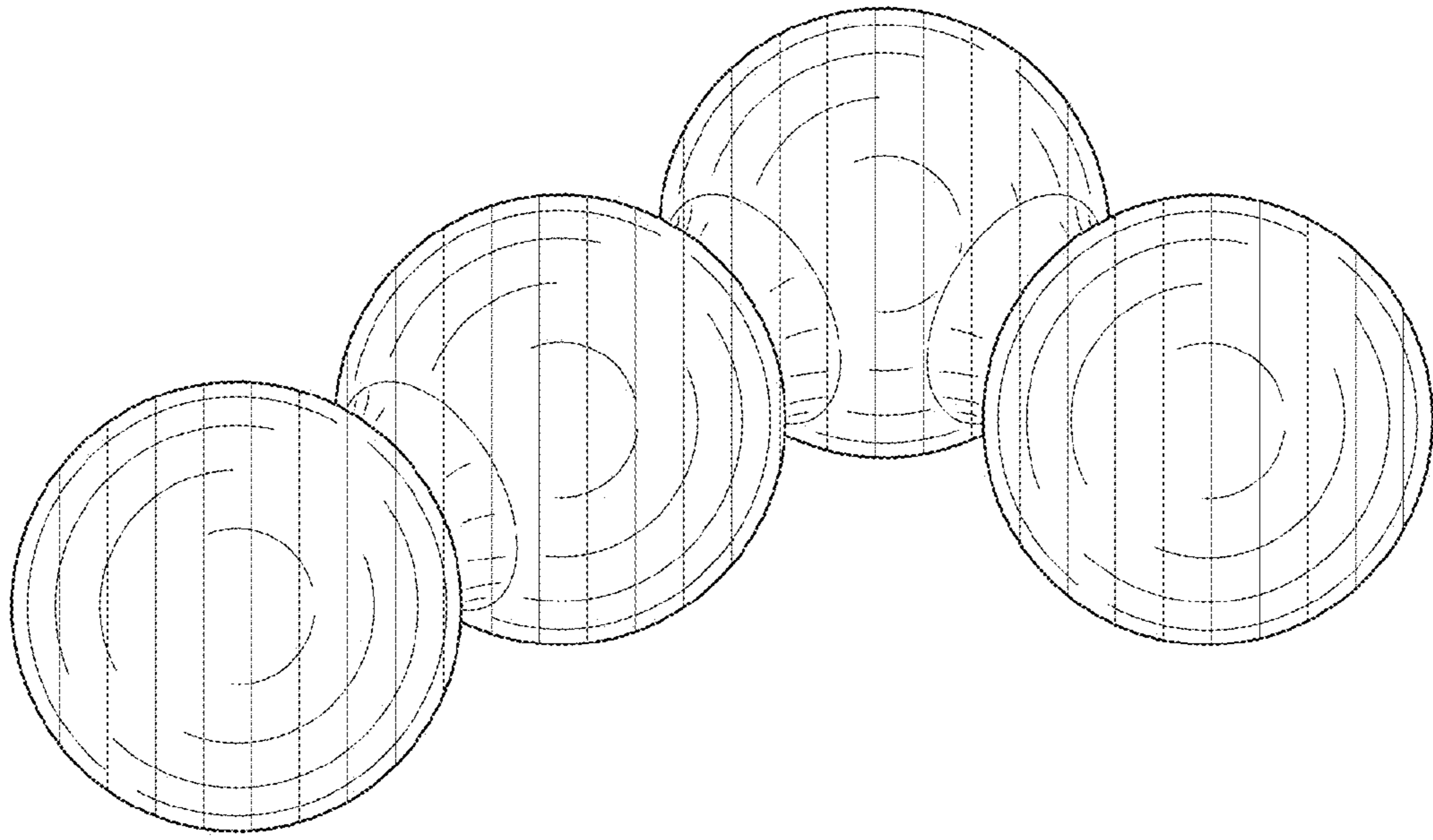


FIG. 36

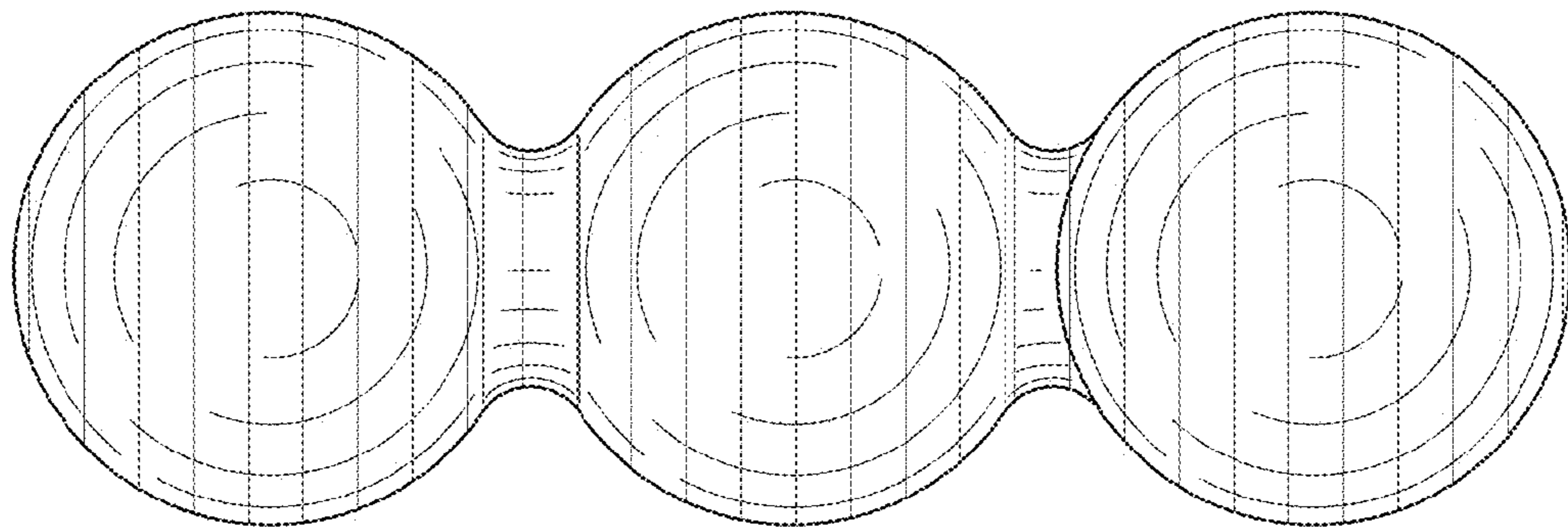


FIG. 37

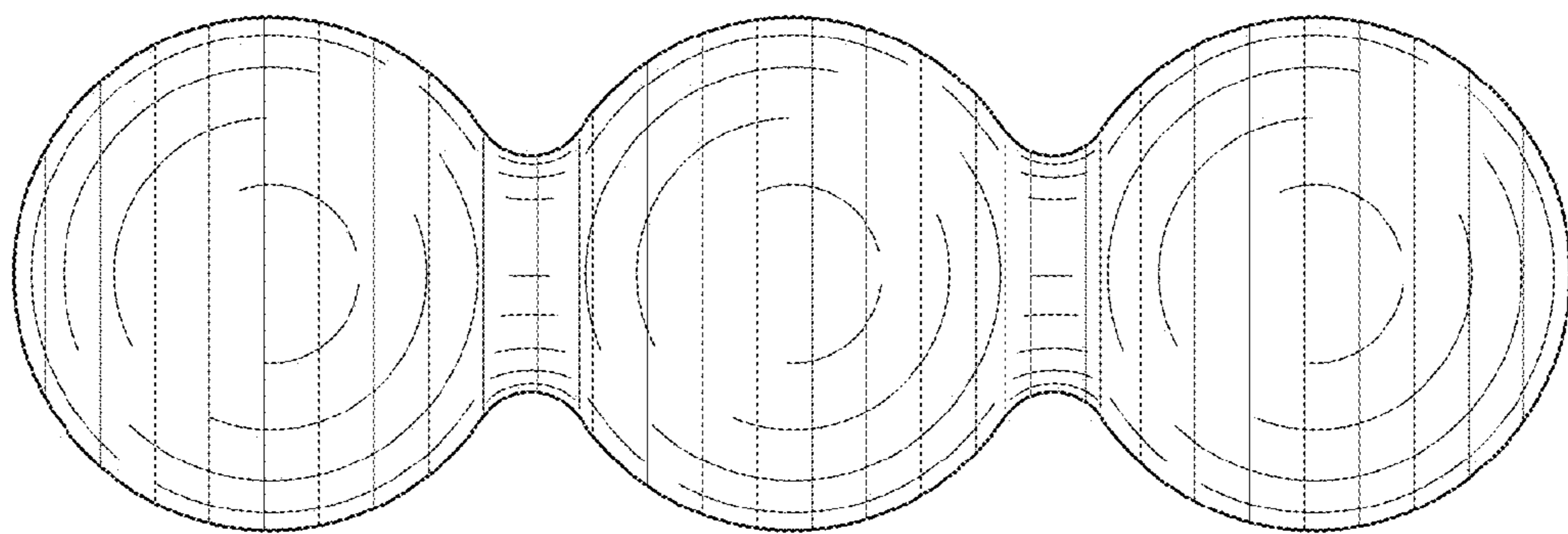


FIG. 38

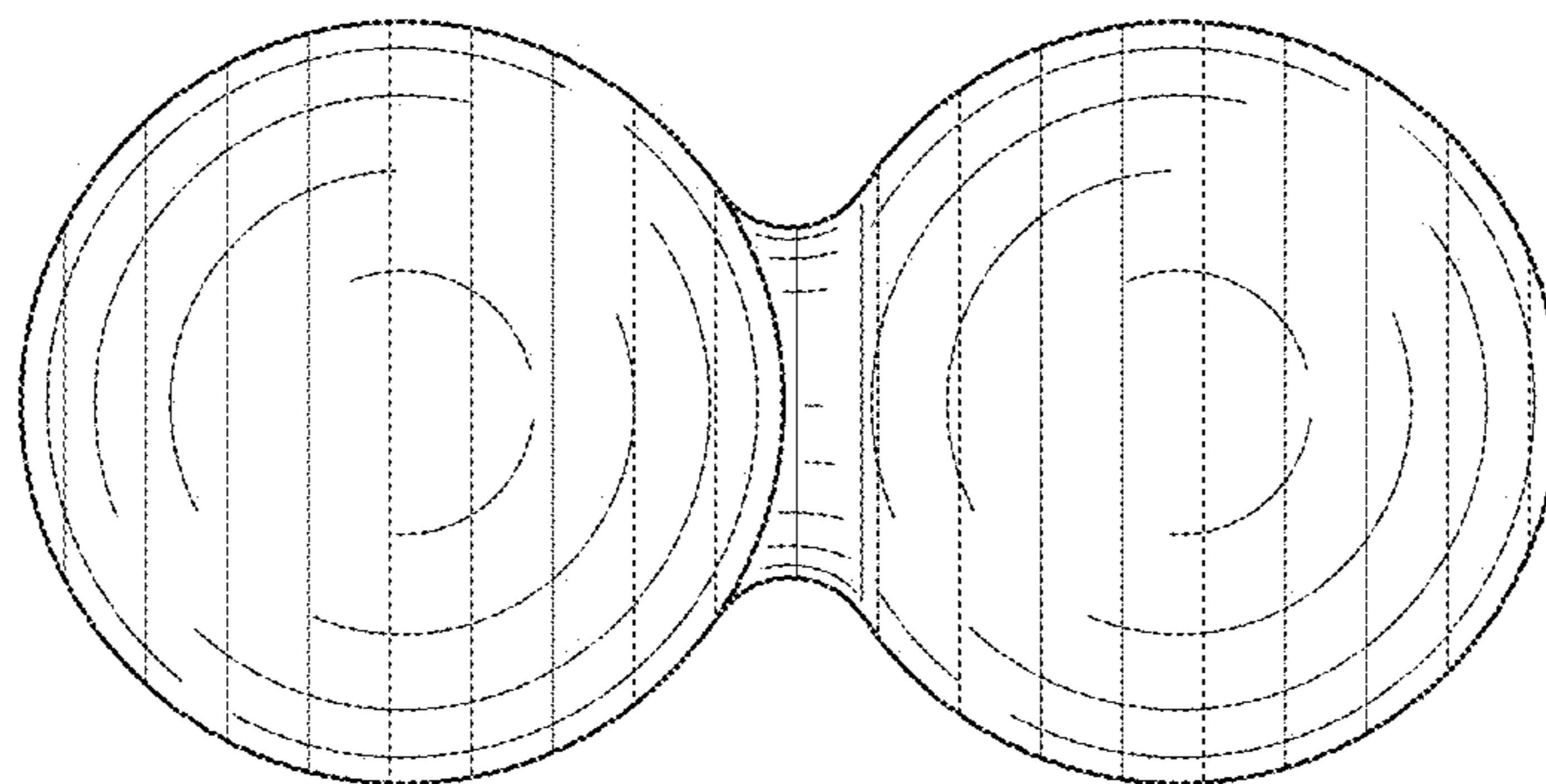


FIG. 39

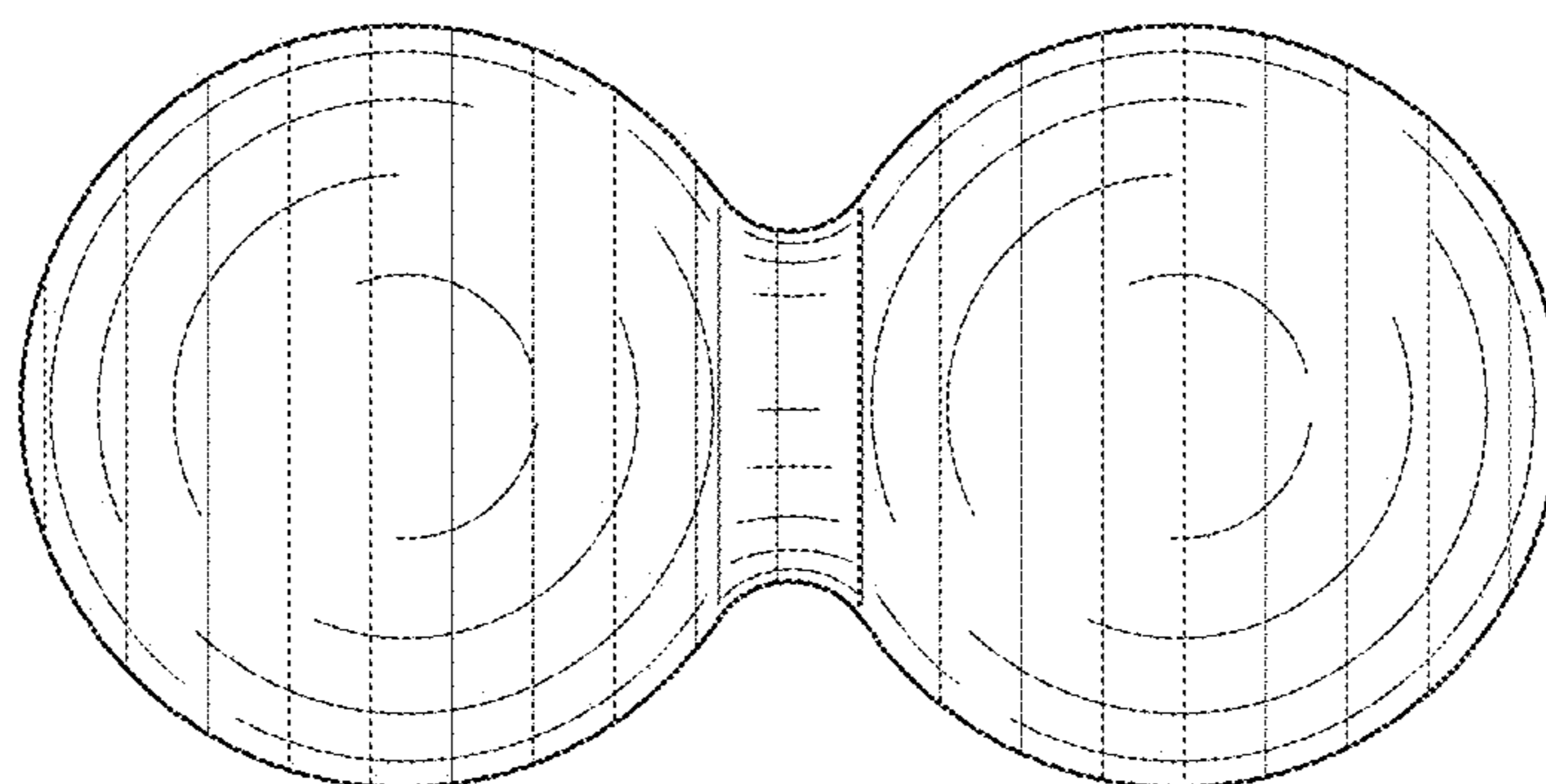


FIG. 40

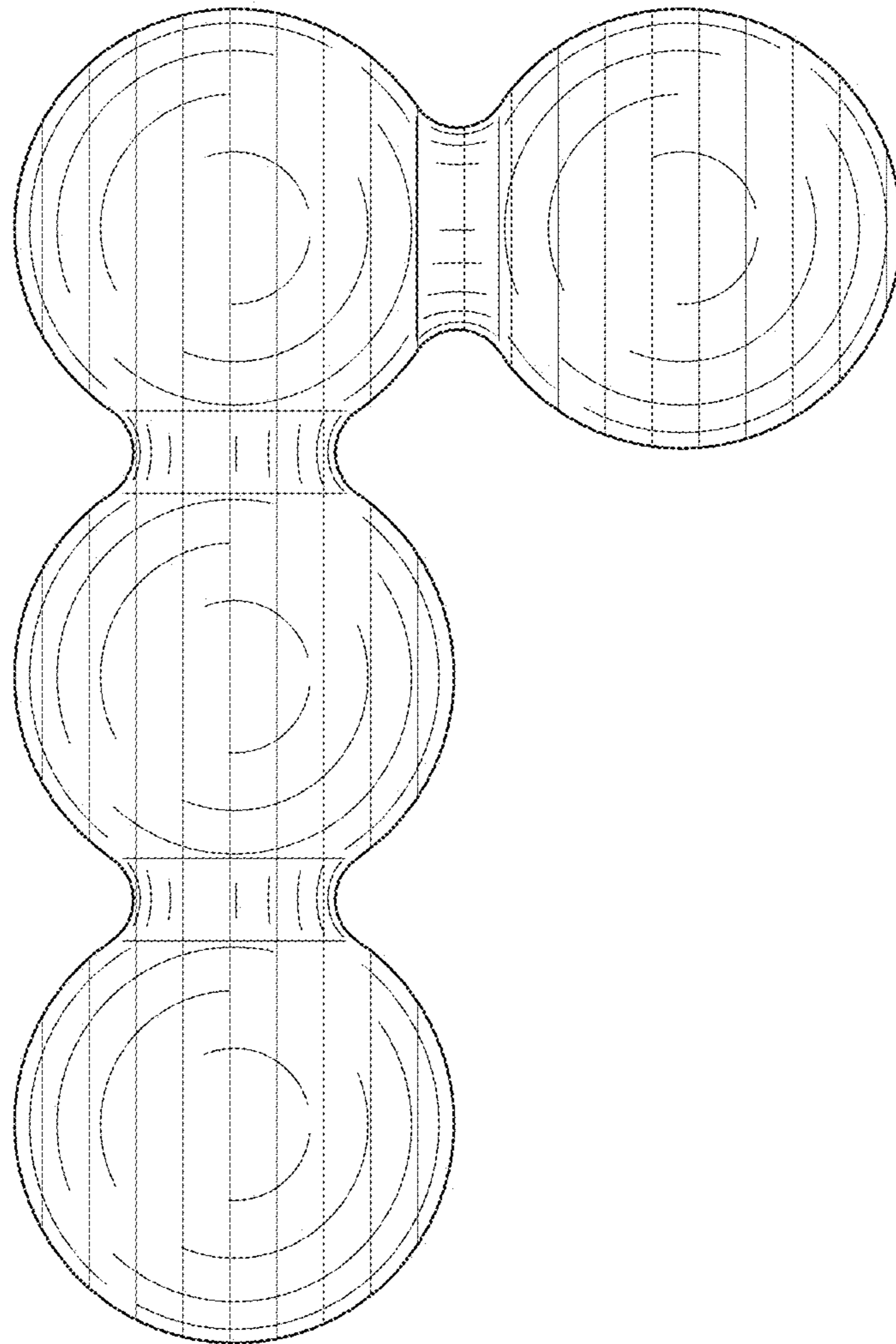


FIG. 41

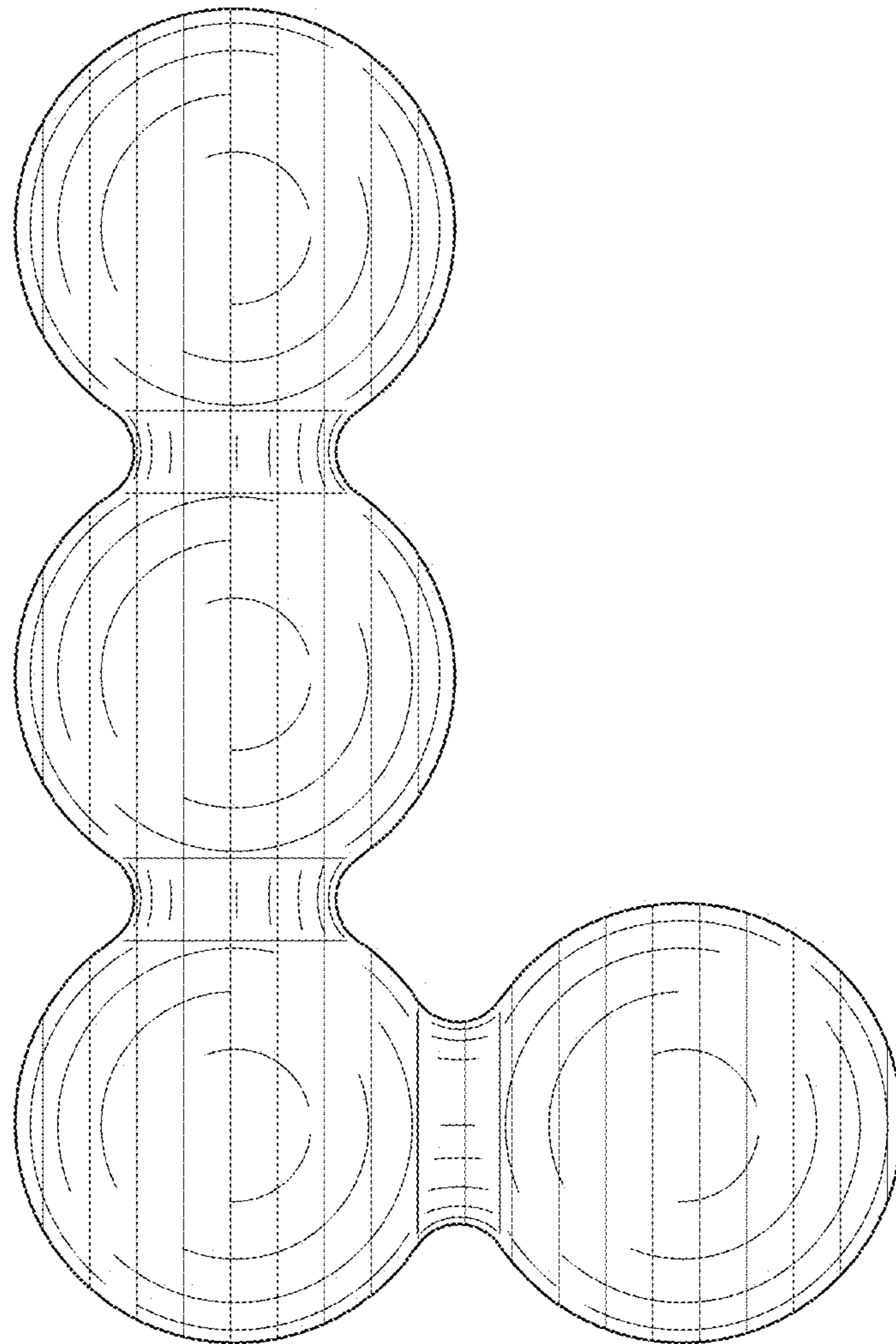


FIG. 42

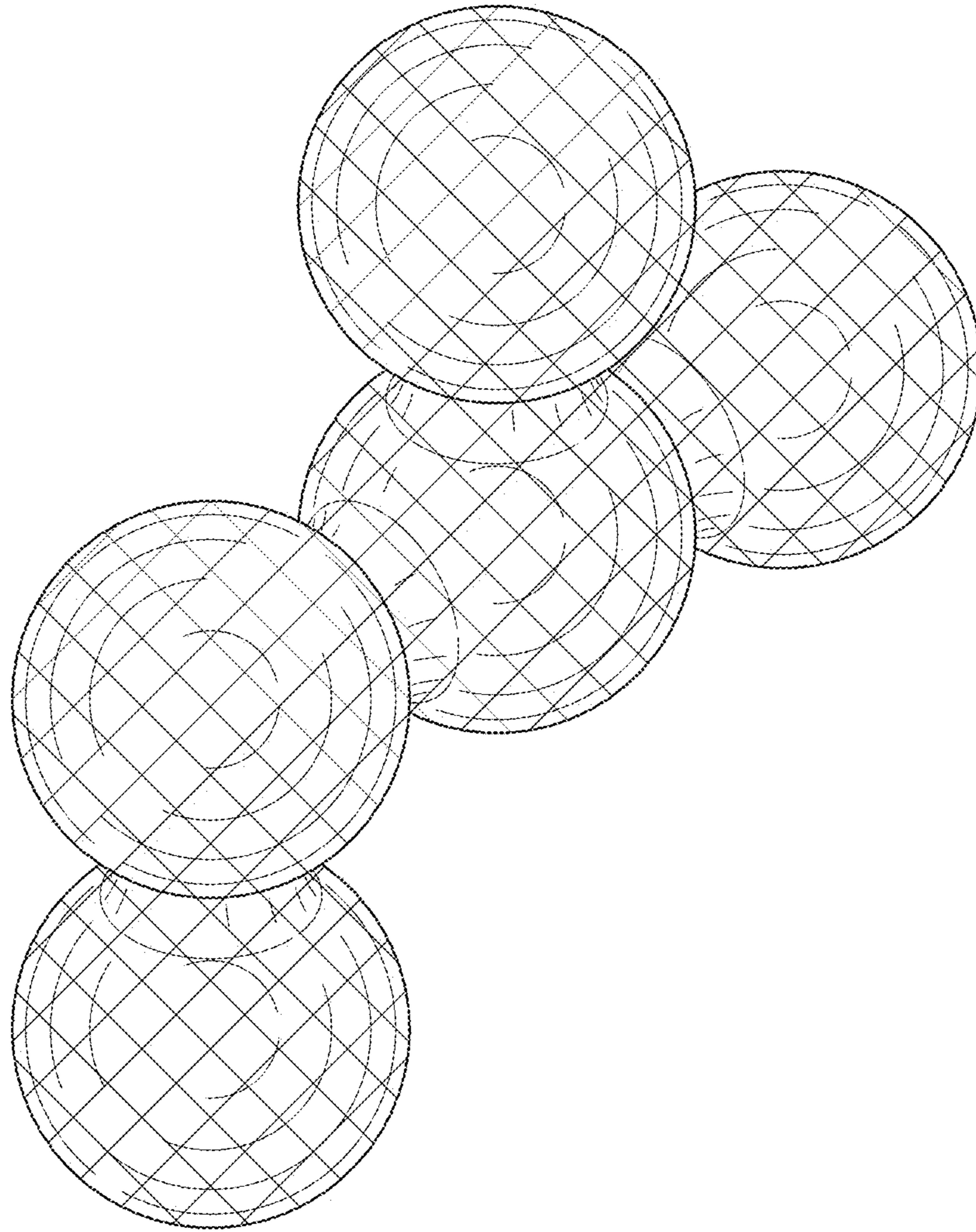


FIG. 43

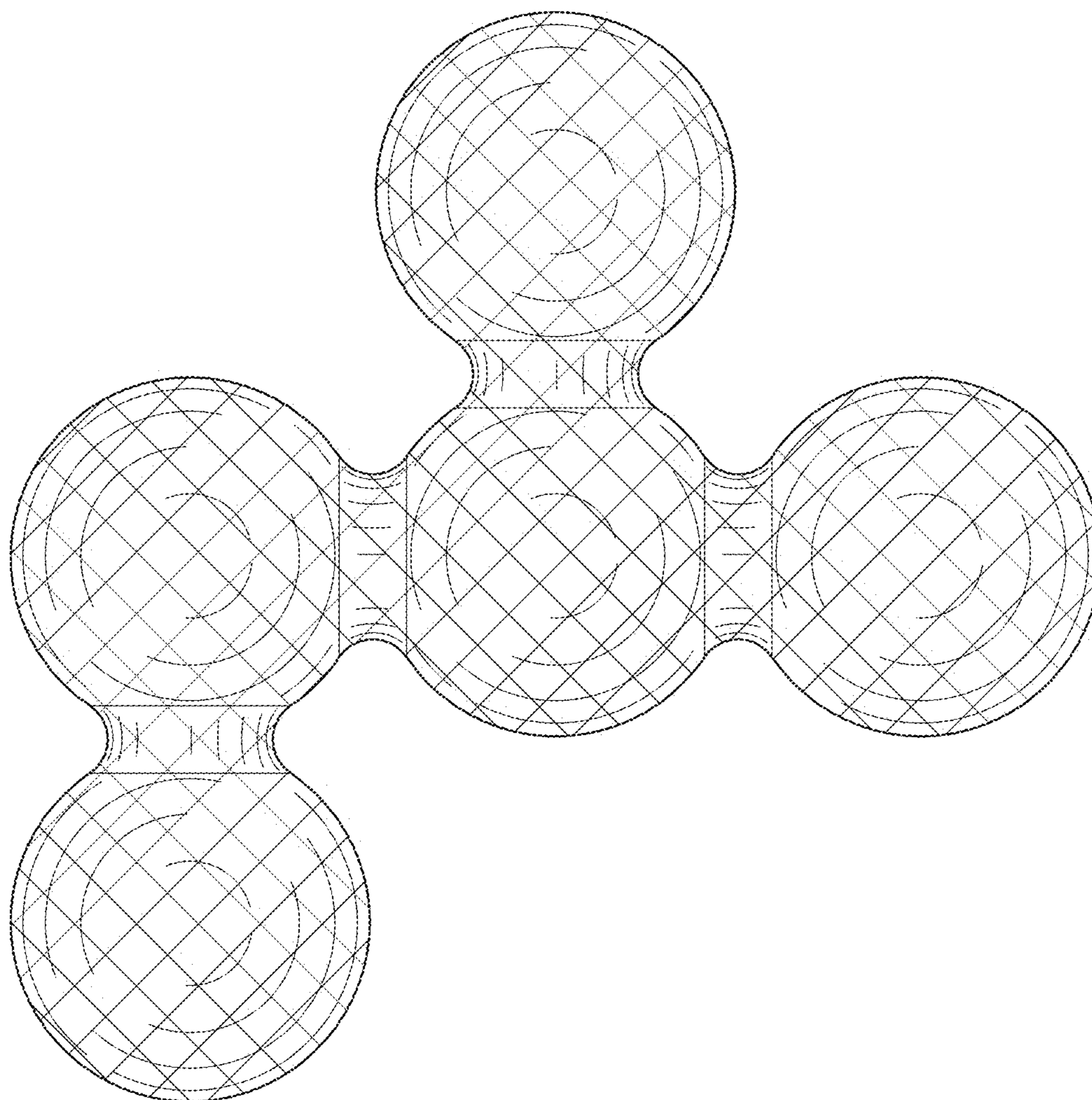


FIG. 44

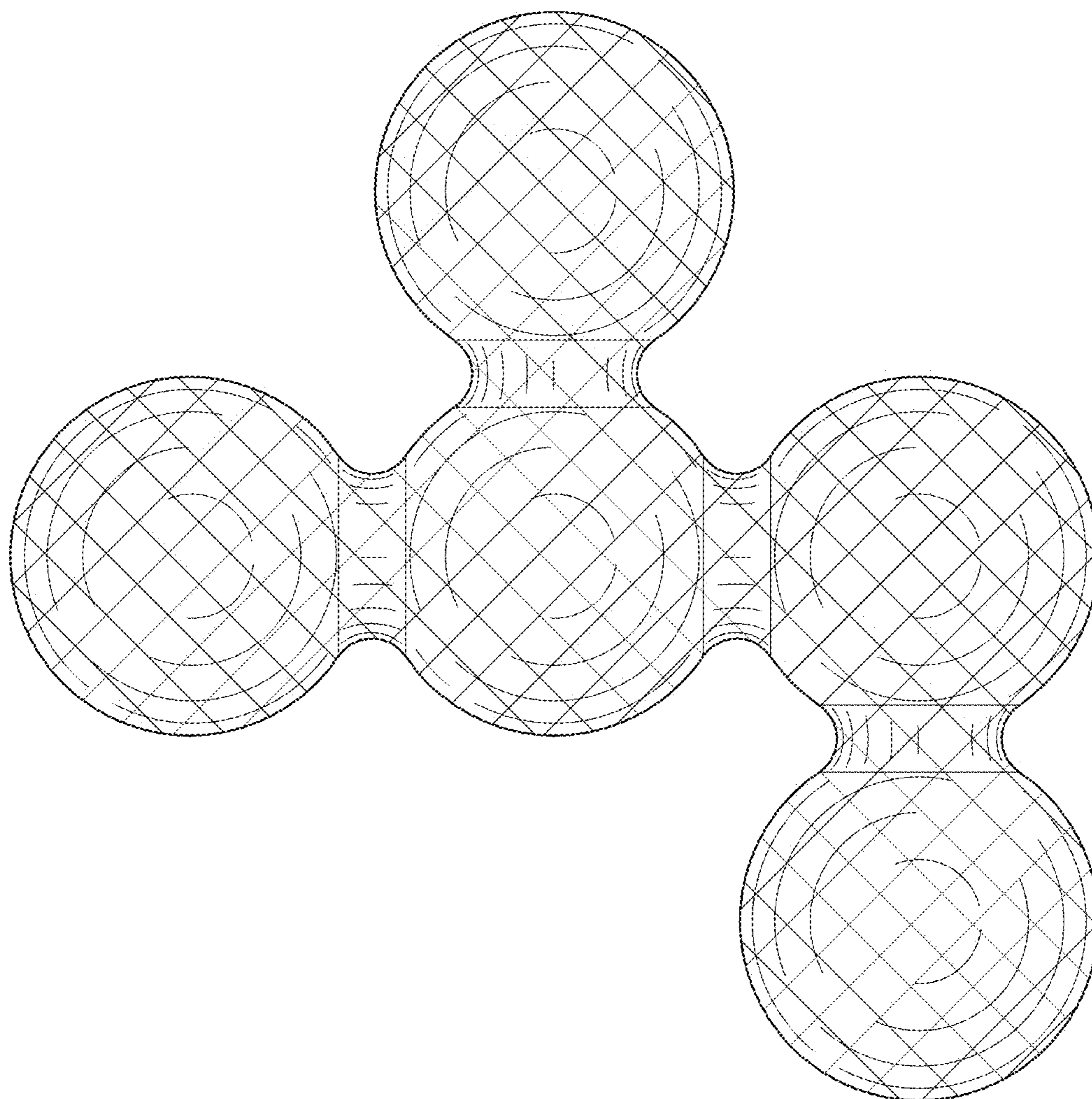


FIG. 45

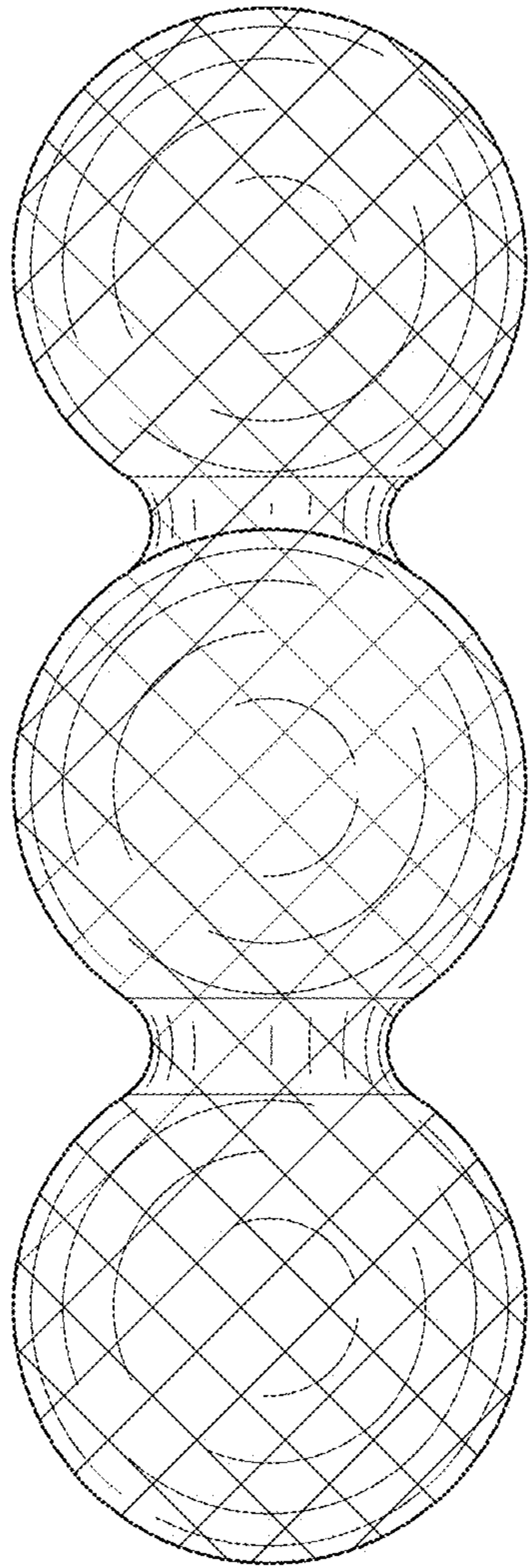


FIG. 46

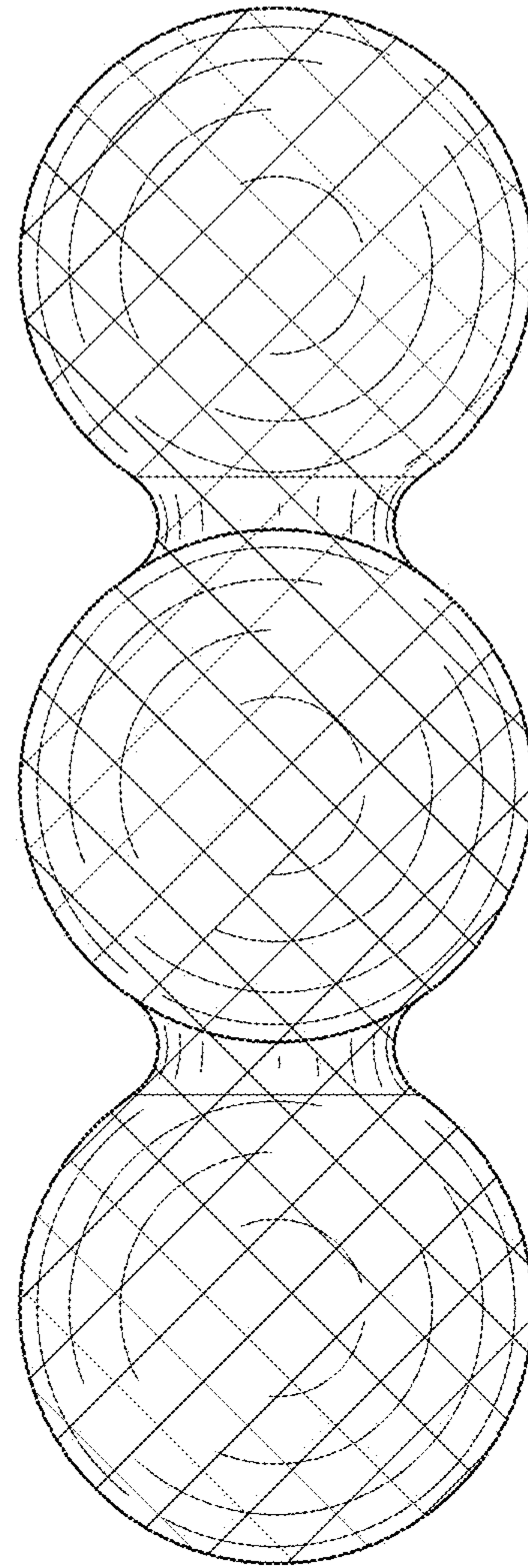


FIG. 47

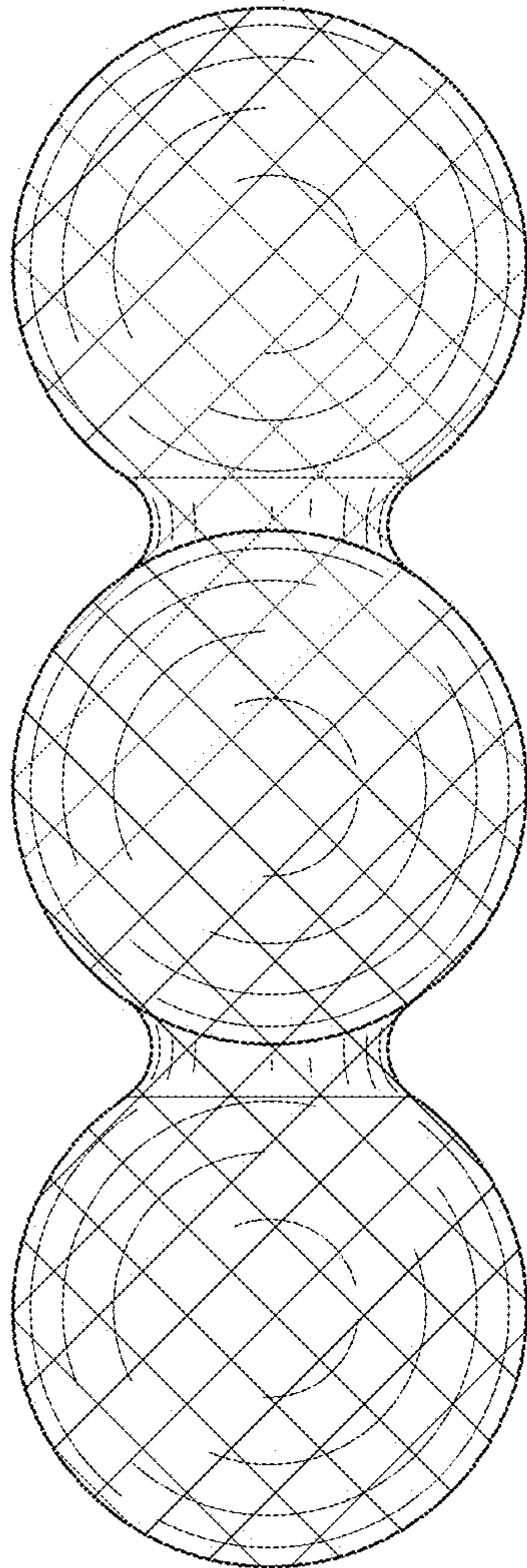


FIG. 48

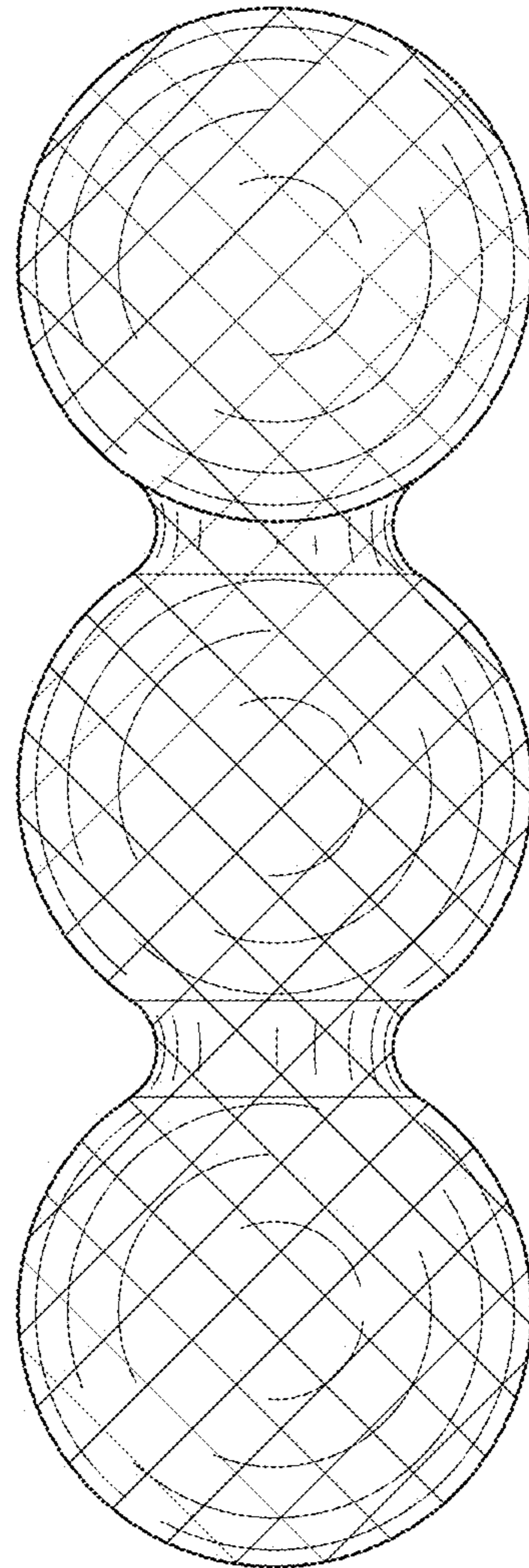


FIG. 49

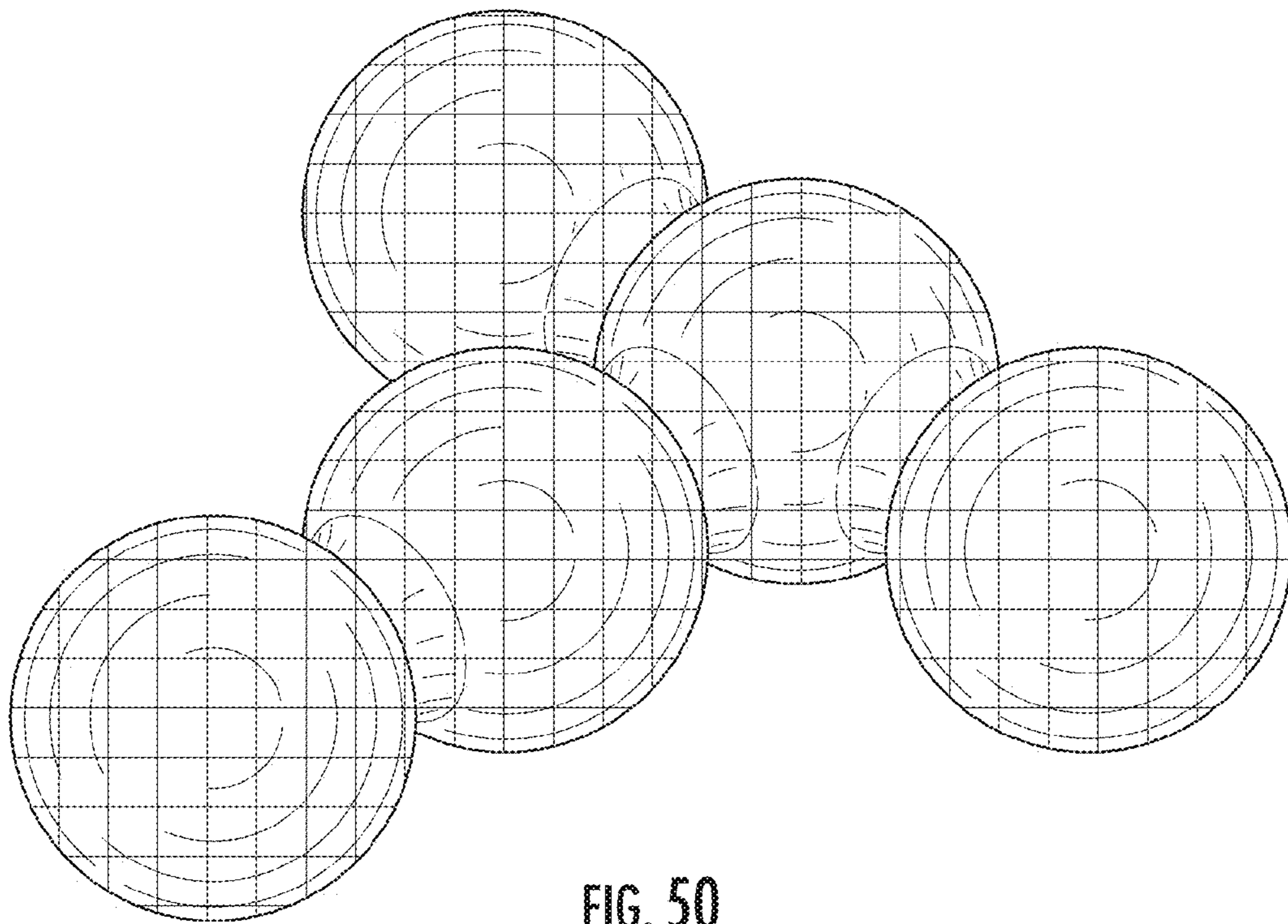


FIG. 50

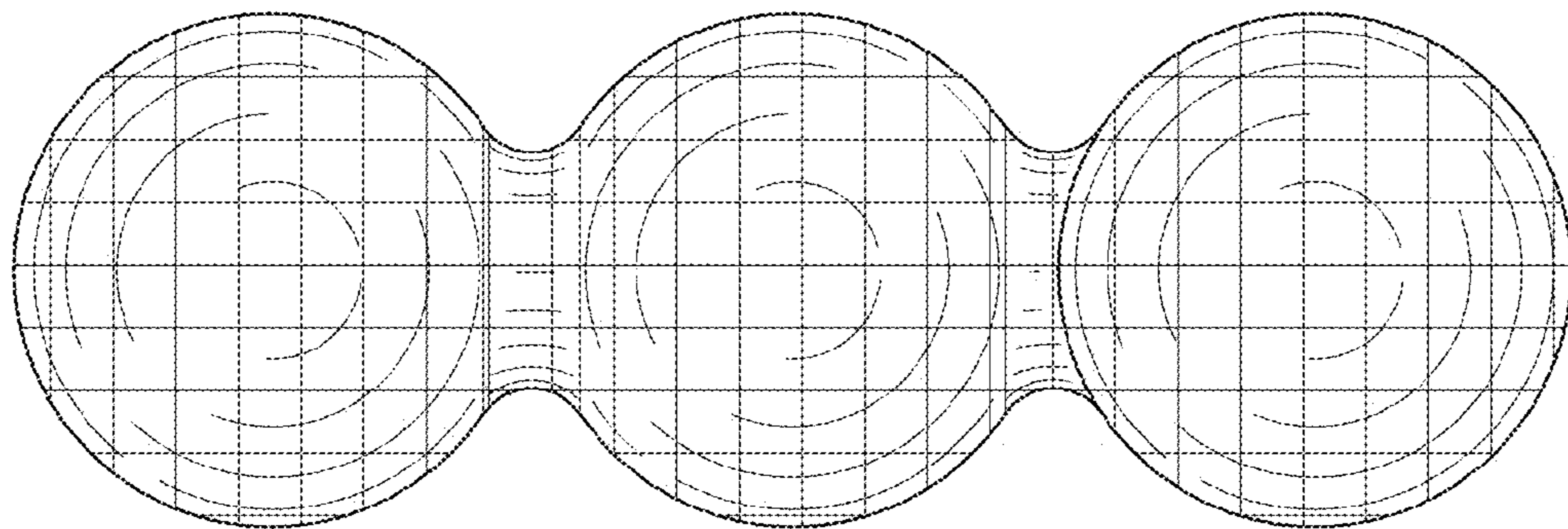


FIG. 51

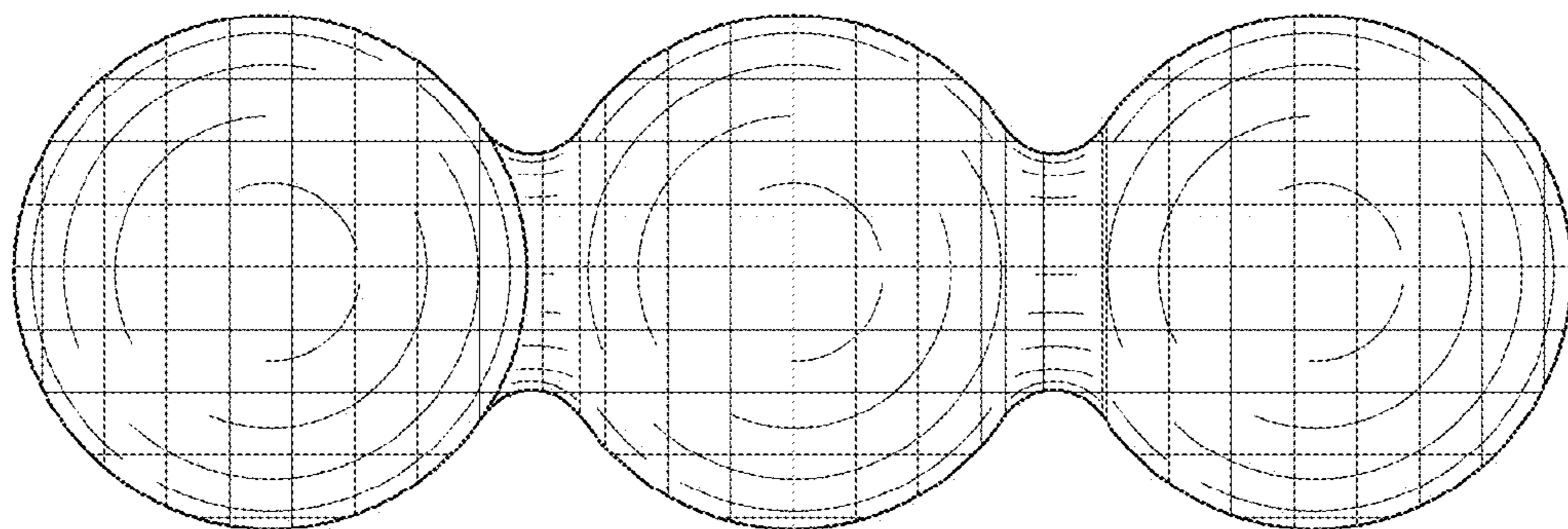


FIG. 52

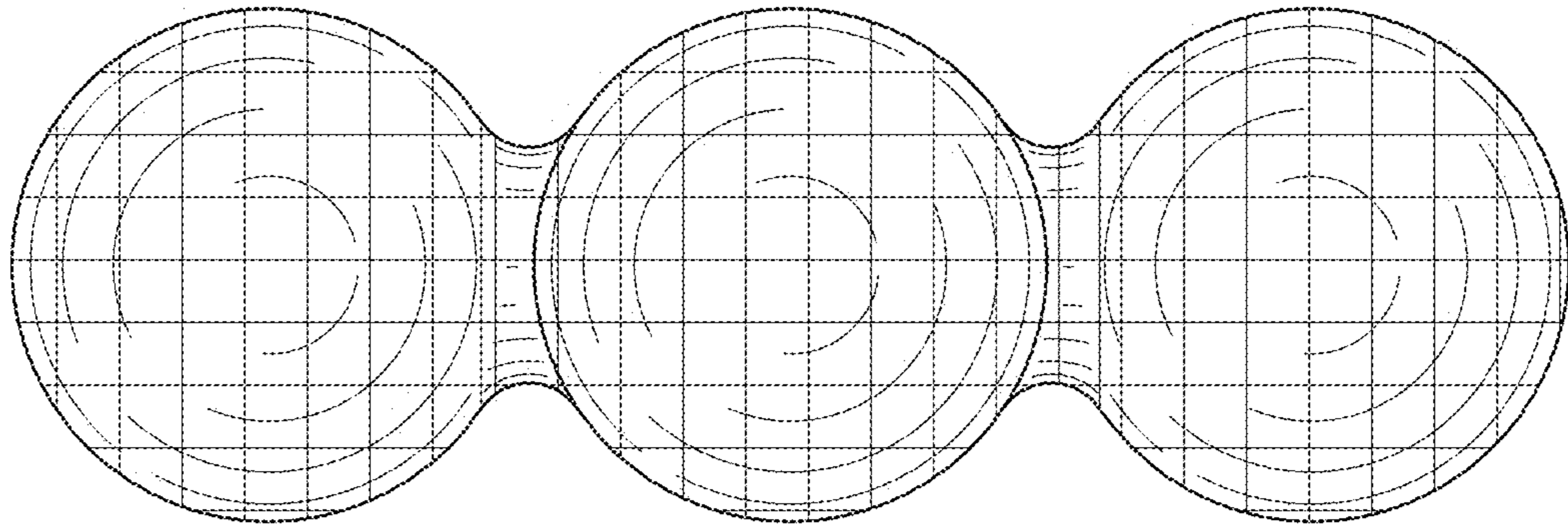


FIG. 53

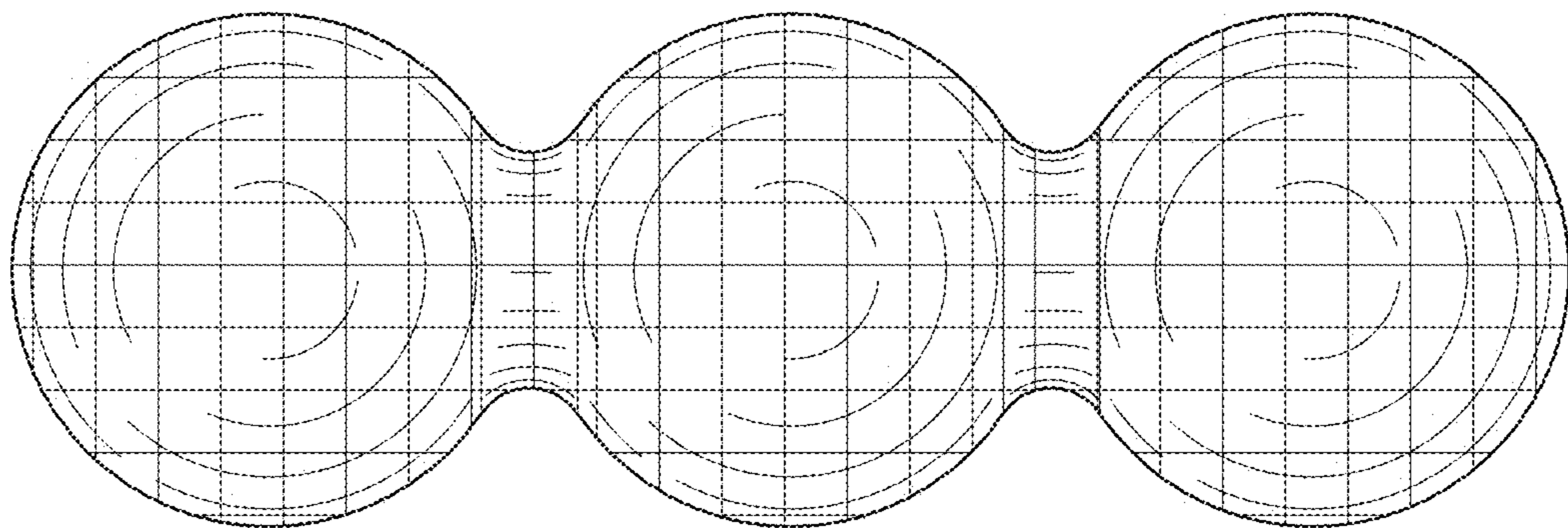


FIG. 54

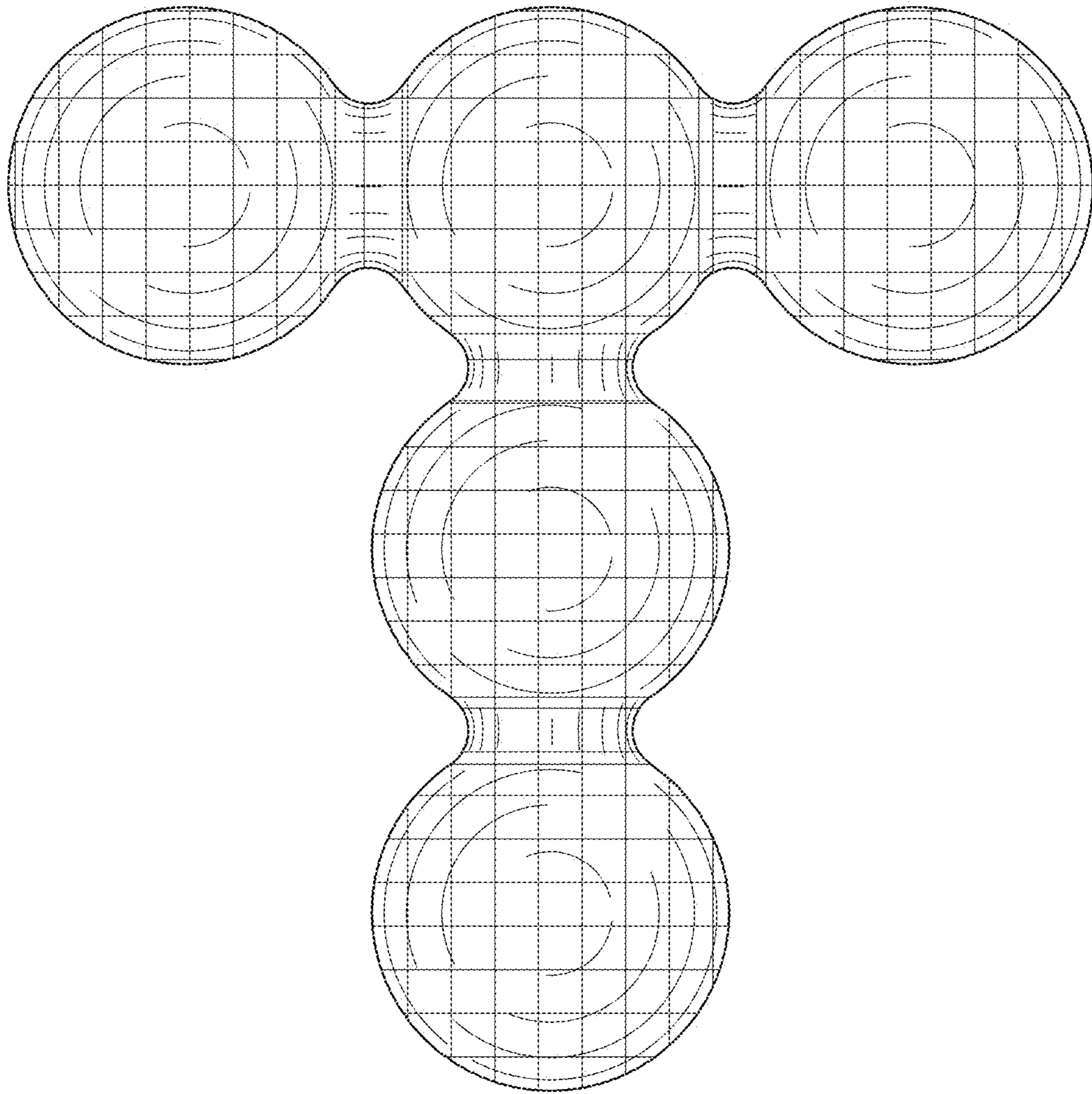


FIG. 55

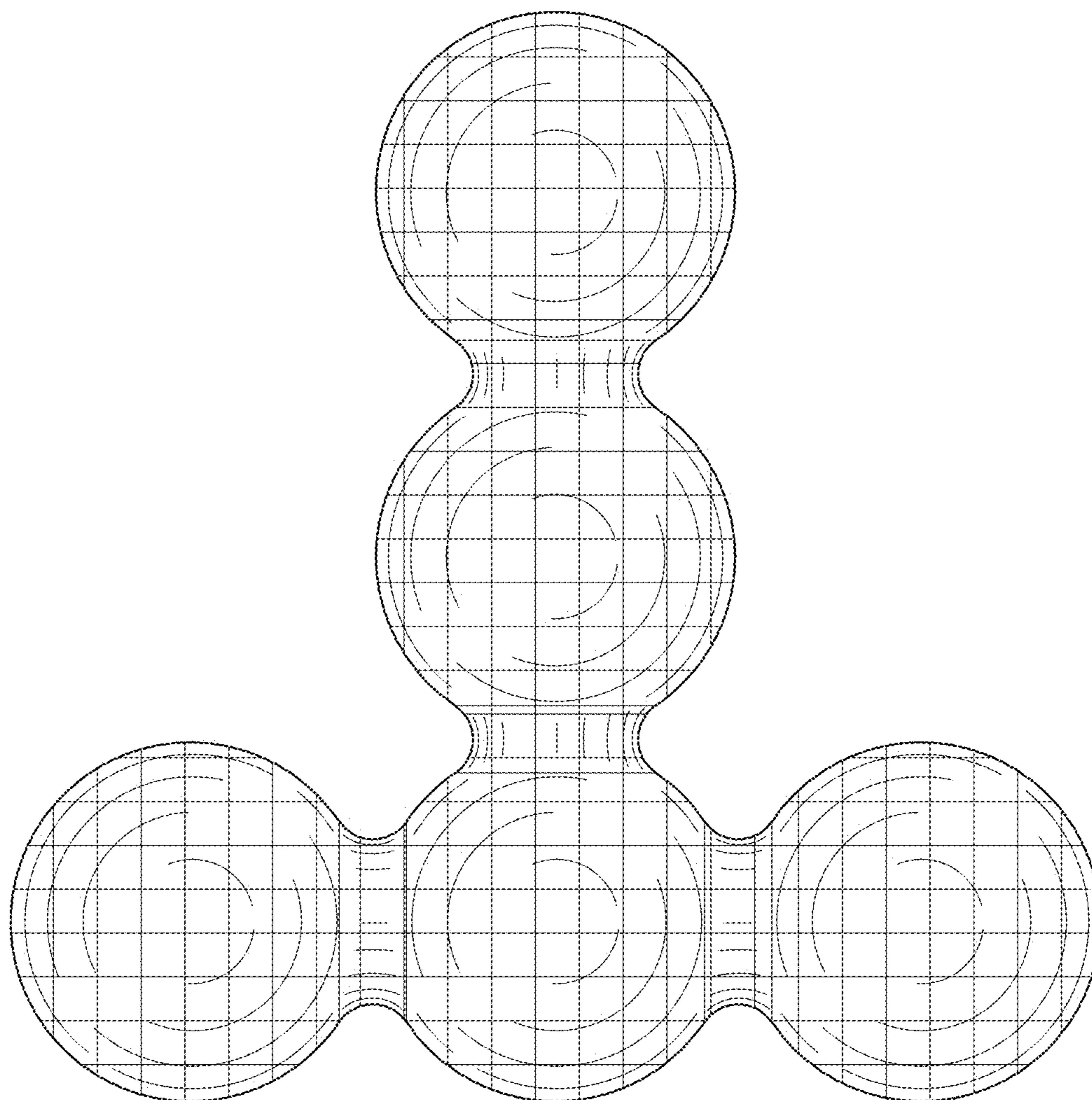


FIG. 56

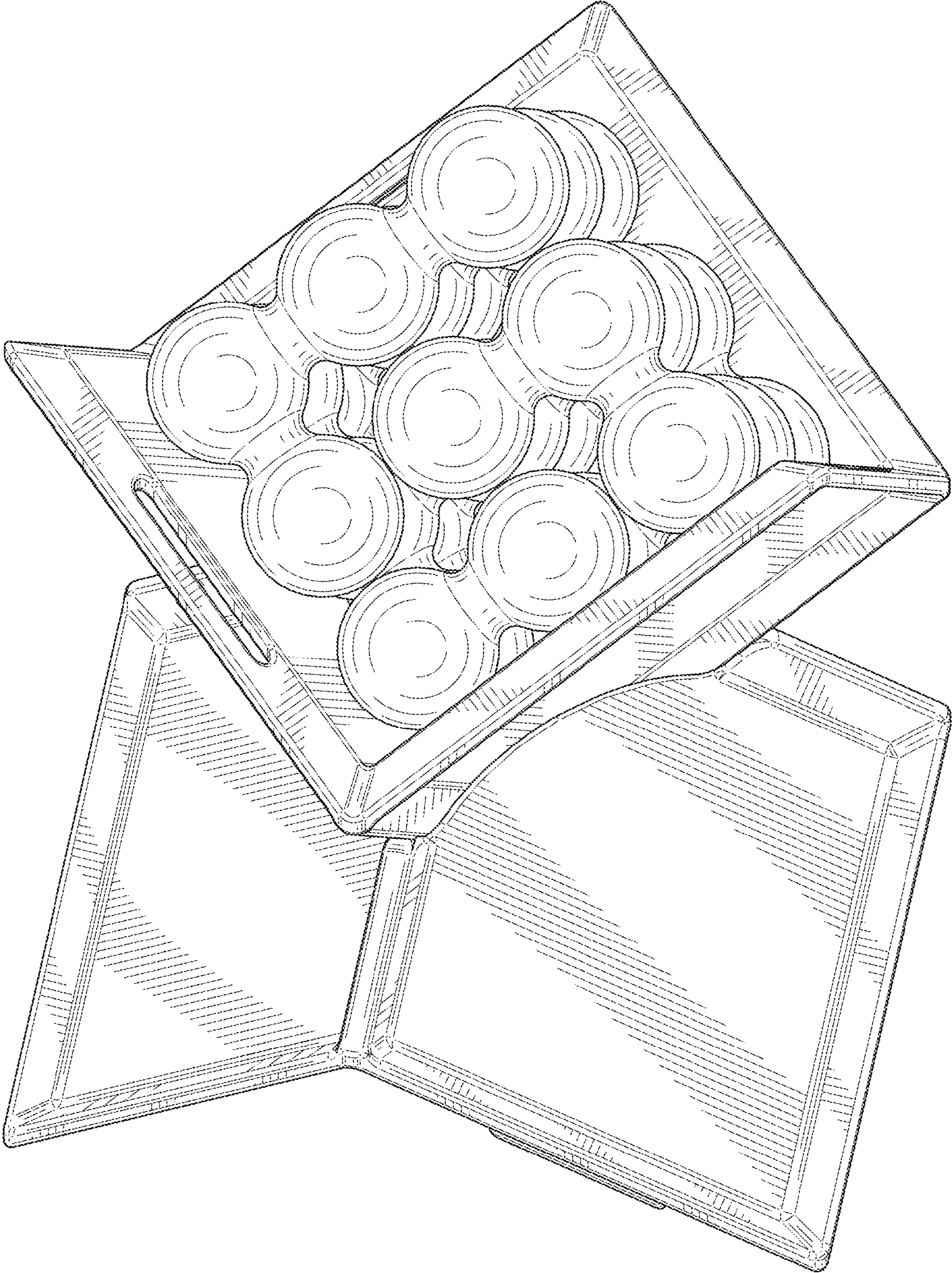


FIG. 57