



US00D960991S

(12) **United States Design Patent**
Rees et al.

(10) **Patent No.:** **US D960,991 S**

(45) **Date of Patent:** **** Aug. 16, 2022**

(54) **GAME SET**

(71) Applicant: **SMART N.V.**, Kontich (BE)

(72) Inventors: **Leighton Rees**, Cirencester (GB); **Raf Peeters**, Lier (BE)

(73) Assignee: **SMART N.V.**, Kontich (BE)

(**) Term: **15 Years**

(21) Appl. No.: **29/719,089**

(22) Filed: **Dec. 31, 2019**

(51) **LOC (13) Cl.** **21-01**

(52) **U.S. Cl.**
USPC **D21/335**

(58) **Field of Classification Search**

USPC D21/300, 329, 334, 335, 336, 337, 341,
D21/348, 349, 350, 360, 369, 370;
D16/106; 273/281, 287

(Continued)

(56) **References Cited**

U.S. PATENT DOCUMENTS

4,474,371 A * 10/1984 Silbermintz A63F 9/1204
273/153 S

D285,318 S * 8/1986 Propsom D21/341
(Continued)

Primary Examiner — Mehri F Bajoul

(74) *Attorney, Agent, or Firm* — Hodgson Russ LLP

(57) **CLAIM**

The ornamental design for a game set, as shown and described.

DESCRIPTION

FIG. 1 is a top perspective view of a game set, which comprises of a game board, a game board cover, and game

pieces, showing the gameboard and game board cover combined and separately from the game pieces for ease of illustration;

FIG. 2 is a top plan view thereof;

FIG. 3 is a bottom plan view thereof;

FIG. 4 is a front elevation view thereof;

FIG. 5 is a rear elevation view thereof;

FIG. 6 is a right side elevation view thereof;

FIG. 7 is a left side elevation view thereof;

FIG. 8 is a top perspective view of the game set showing the game board cover combined with game board in a CLOSED position and separately from the game pieces for ease of illustration;

FIG. 9 is a top plan view thereof;

FIG. 10 is a bottom plan view thereof;

FIG. 11 is a front elevation view thereof;

FIG. 12 is a rear elevation view thereof;

FIG. 13 is a right side elevation view thereof;

FIG. 14 is a left side elevation view thereof;

FIG. 15 is a top perspective view of the game set with a first game piece shown separately for ease of illustration;

FIG. 16 is a top plan view thereof;

FIG. 17 is a bottom plan view thereof;

FIG. 18 is a front elevation view thereof;

FIG. 19 is a rear elevation view thereof;

FIG. 20 is a right side elevation view thereof;

FIG. 21 is a left side elevation view thereof;

FIG. 22 is a top perspective view of the game set with a second game piece shown separately for ease of illustration;

FIG. 23 is a top plan view thereof;

FIG. 24 is a bottom plan view thereof;

FIG. 25 is a left side elevation view thereof;

FIG. 26 is a right side elevation view thereof;

FIG. 27 is a front elevation view thereof;

FIG. 28 is a rear elevation view thereof;

FIG. 29 is a top perspective view of the game set with a third game piece shown separately for ease of illustration;

FIG. 30 is a top plan view thereof;

FIG. 31 is a bottom plan view thereof;

FIG. 32 is a front elevation view thereof;

FIG. 33 is a rear elevation view thereof;

FIG. 34 is a right side elevation view thereof;

FIG. 35 is a left side elevation view thereof;

(Continued)

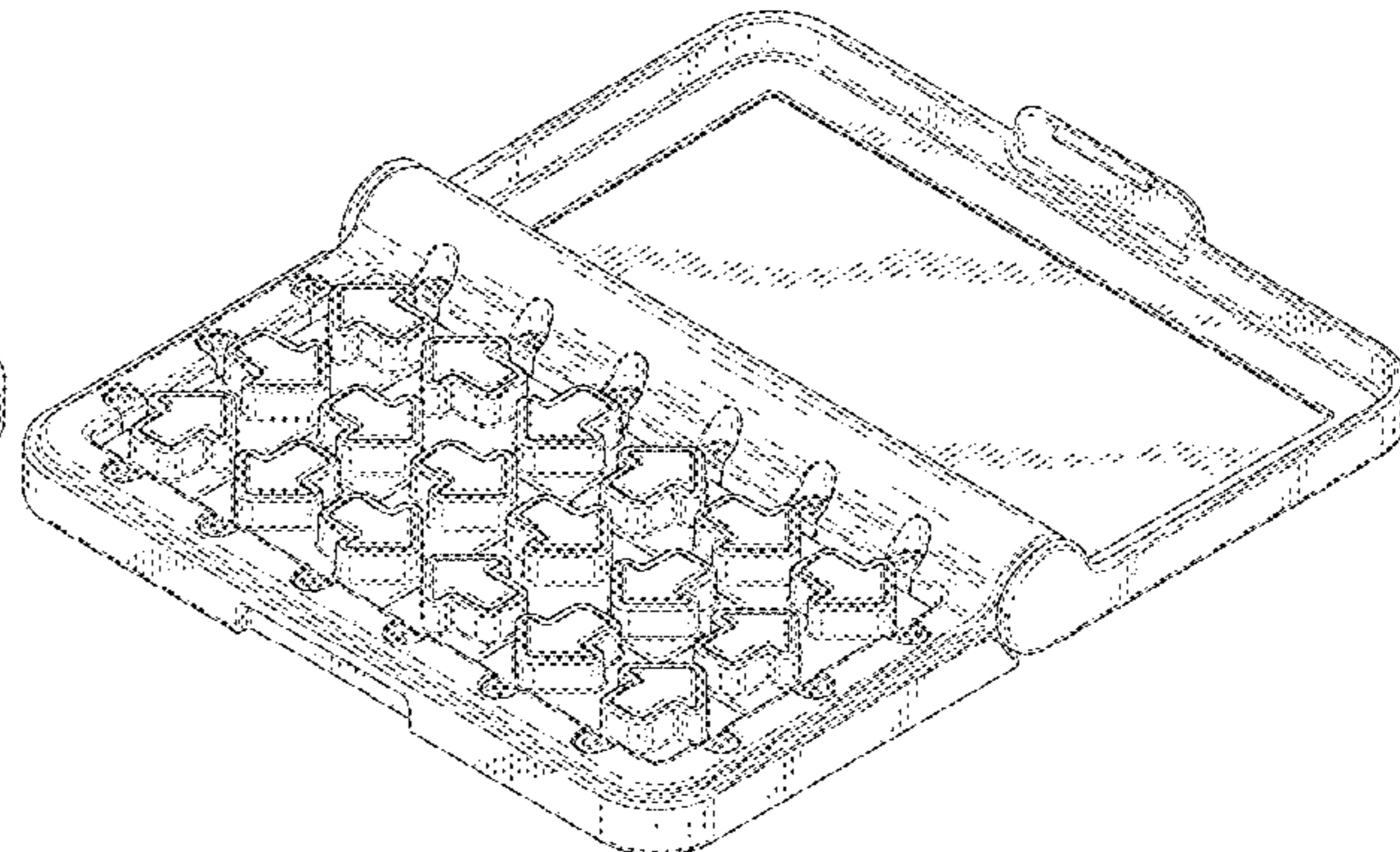
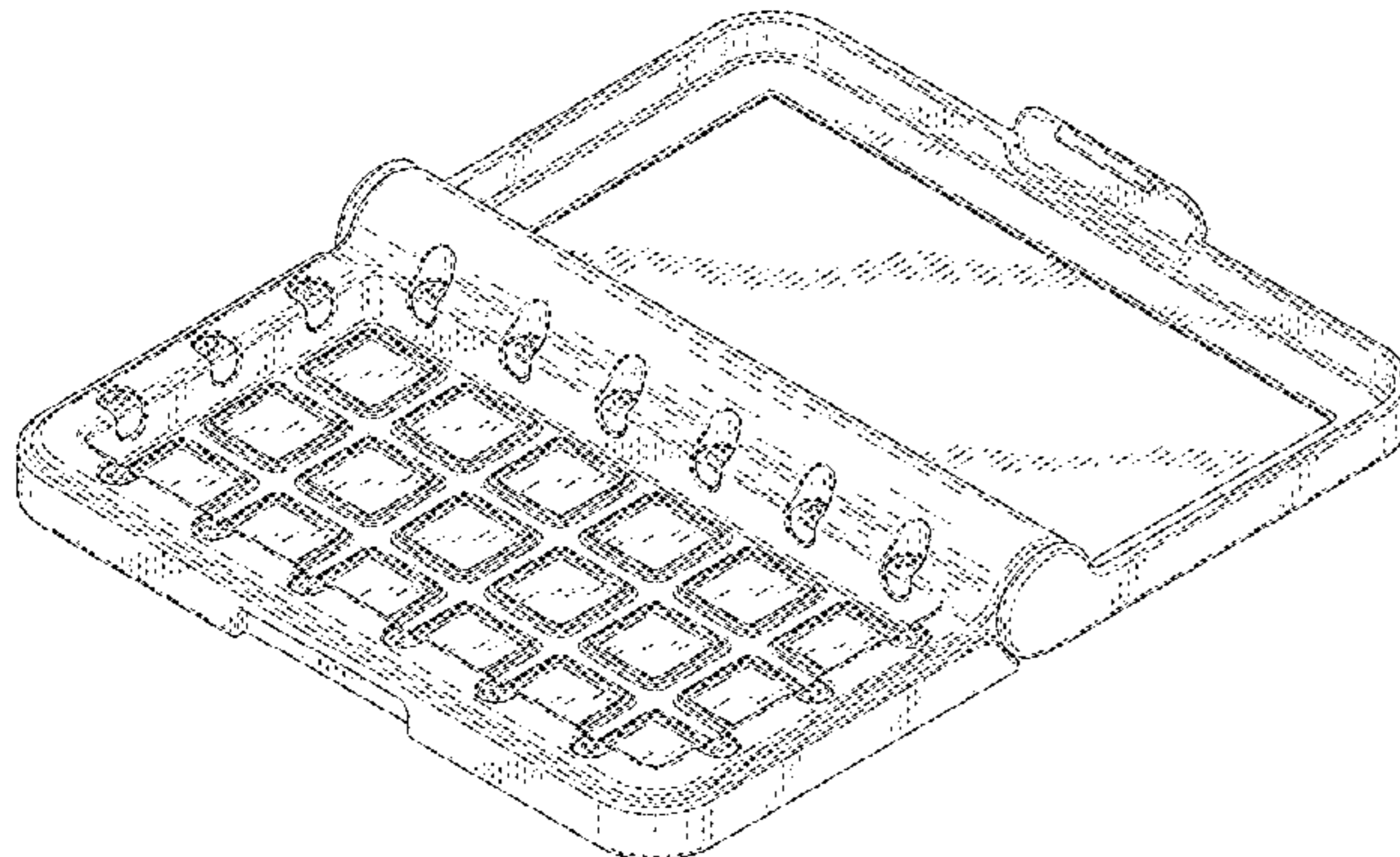


FIG. 36 is a top perspective view of the game set with a fourth game piece shown separately for ease of illustration;
 FIG. 37 is a top plan view thereof;
 FIG. 38 is a bottom plan view thereof;
 FIG. 39 is a front elevation view thereof;
 FIG. 40 is a rear elevation view thereof;
 FIG. 41 is a right side elevation view thereof;
 FIG. 42 is a left side elevation view thereof;
 FIG. 43 is a top perspective view of the game set with a fifth game piece shown separately for ease of illustration;
 FIG. 44 is a top plan view thereof;
 FIG. 45 is a bottom plan view thereof;
 FIG. 46 is a right side elevation view thereof;
 FIG. 47 is a left side elevation view thereof;
 FIG. 48 is a rear elevation view thereof;
 FIG. 49 is a front elevation view thereof;
 FIG. 50 is a top perspective view of the game set with a sixth game piece shown separately for ease of illustration;
 FIG. 51 is a top plan view thereof;
 FIG. 52 is a bottom plan view thereof;
 FIG. 53 is a front elevation view thereof;
 FIG. 54 is a rear elevation view thereof;
 FIG. 55 is a right side elevation view thereof;
 FIG. 56 is a left side elevation view thereof; and,
 FIG. 57 is a top perspective view of a game set with the game board cover in a first position.
 The evenly-dashed broken lines in the drawings illustrate the portions of the game set that form no part of the claim.

1 Claim, 35 Drawing Sheets

(58) **Field of Classification Search**

CPC A63F 3/00261; A63F 2003/0082; A63F

2003/00264; A63F 3/00574; A63F
 3/0023; A63F 3/0052; A63F 9/06; A63F
 9/0073; A63F 3/00634; A63F 9/1044;
 A63F 9/1204

See application file for complete search history.

(56)

References Cited

U.S. PATENT DOCUMENTS

D296,797	S	*	7/1988	Andrews	D21/335
D299,933	S	*	2/1989	Shalaon	D21/336
D367,079	S	*	2/1996	Garrow	D21/300
D434,456	S	*	11/2000	Bracken	D21/336
6,345,822	B1	*	2/2002	Reynolds	A63F 3/00261 273/281
D526,027	S	*	8/2006	Smith	D21/336
D585,500	S	*	1/2009	Kramer	D21/335
D600,748	S	*	9/2009	Tabuchi	D19/106
D607,516	S	*	1/2010	DeOreo	D21/335
D624,602	S	*	9/2010	Silverman	D21/337
D703,272	S	*	4/2014	Tomlinson	D21/300
D794,127	S	*	8/2017	Elmaagacli	D21/300
D794,128	S	*	8/2017	Elmaagacli	D21/300
D861,070	S	*	9/2019	O'Brien	D19/106
D864,304	S	*	10/2019	Macadam	D21/337
10,463,951	B1	*	11/2019	Su	A63F 9/06
D886,904	S	*	6/2020	Hsu	D21/349
D897,449	S	*	9/2020	Xu	D21/468
D911,448	S	*	2/2021	Peeters	D21/335
D911,449	S	*	2/2021	Peeters	D21/335
D912,156	S	*	3/2021	Peeters	D21/335
D936,746	S	*	11/2021	Peeters	D21/360
D937,352	S	*	11/2021	Peeters	D21/350
2005/0227573	A1	*	10/2005	Lin	A63F 9/1044 446/85
2013/0099446	A1	*	4/2013	Benedict, III	A63F 3/00574 273/242

* cited by examiner

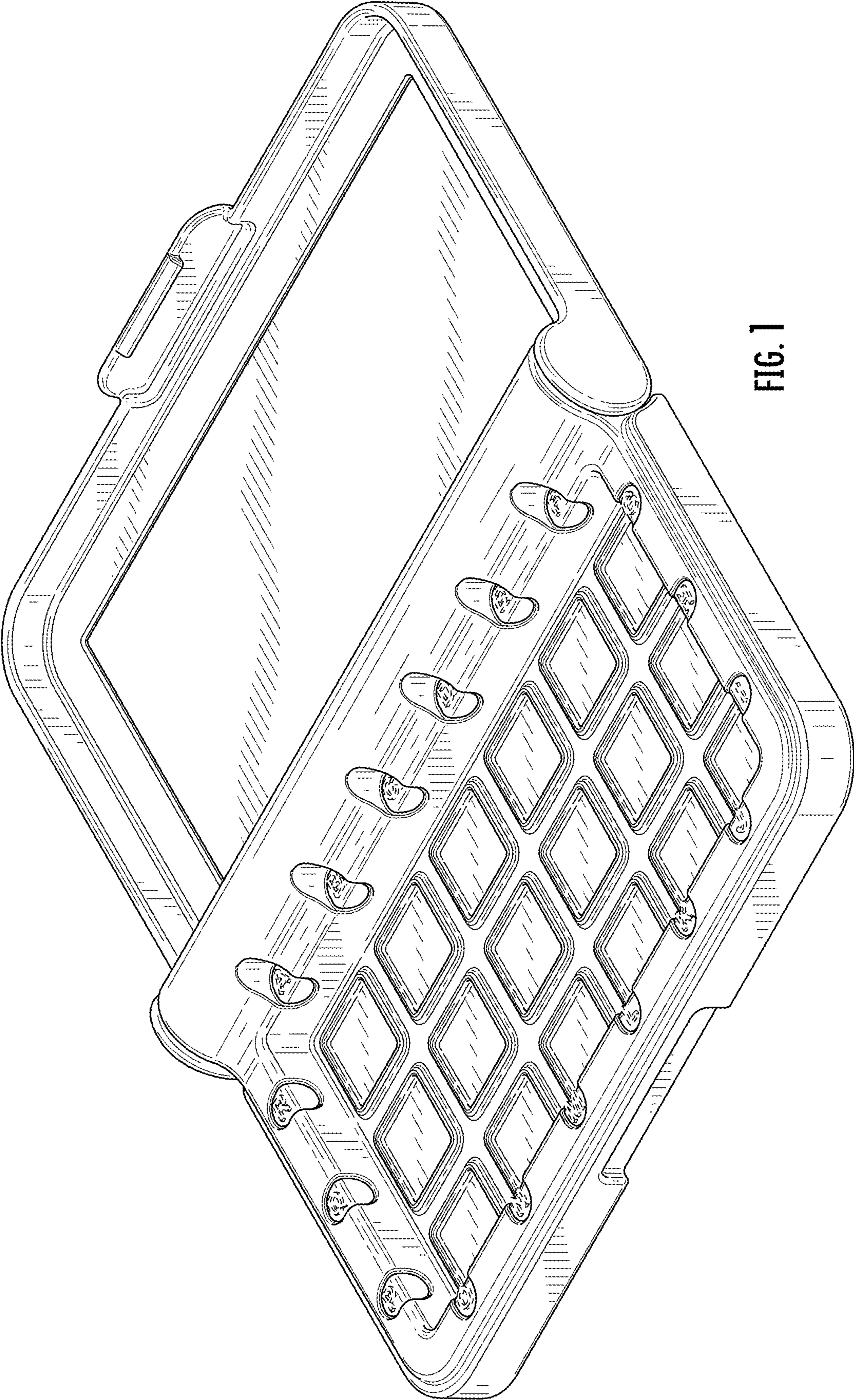


FIG. 1

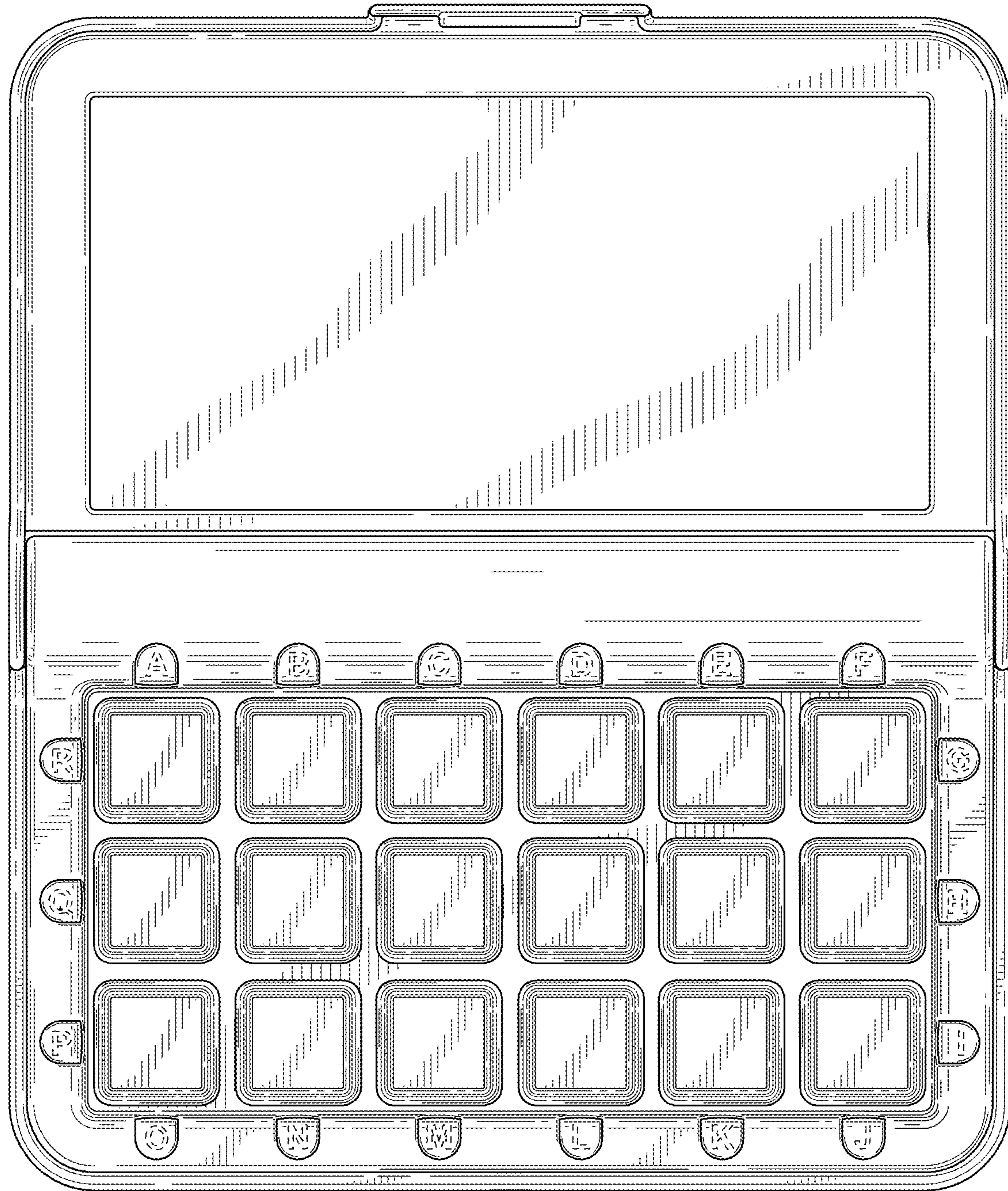


FIG. 2

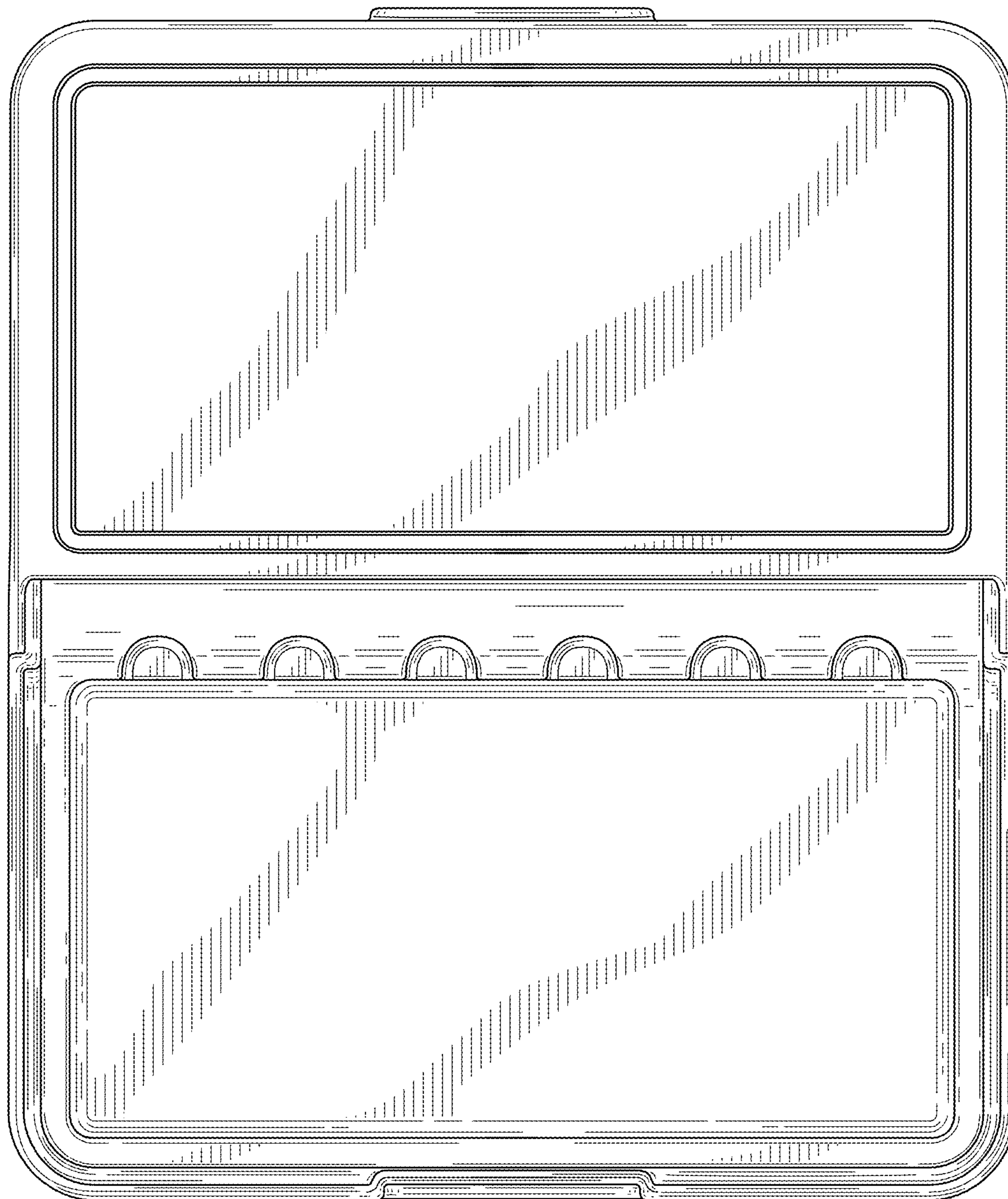


FIG. 3

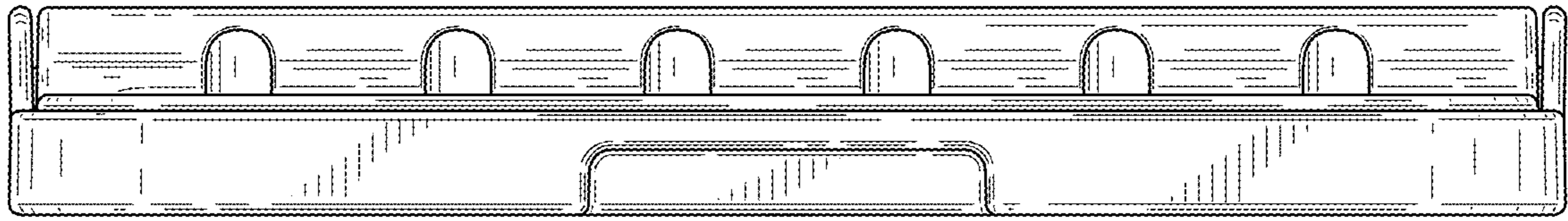


FIG. 4

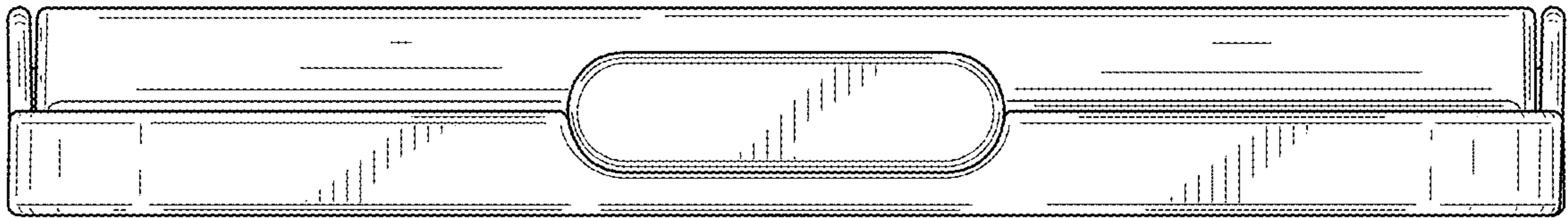


FIG. 5

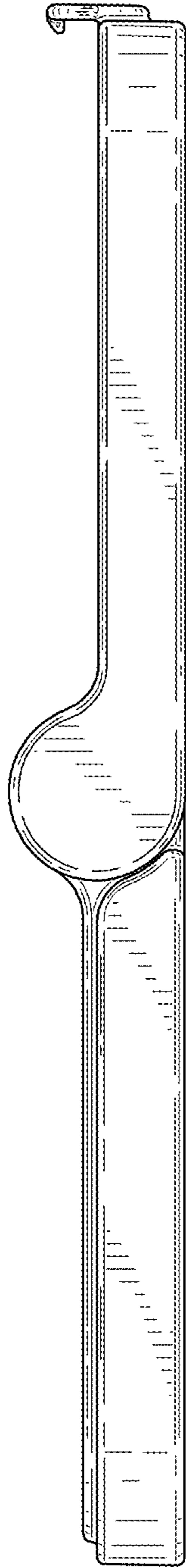


FIG. 6

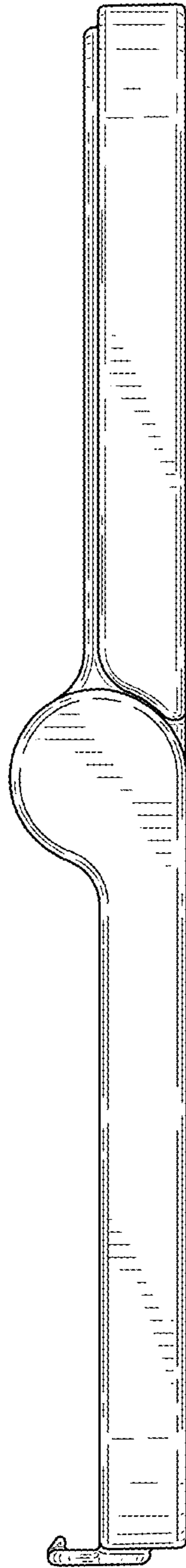


FIG. 7

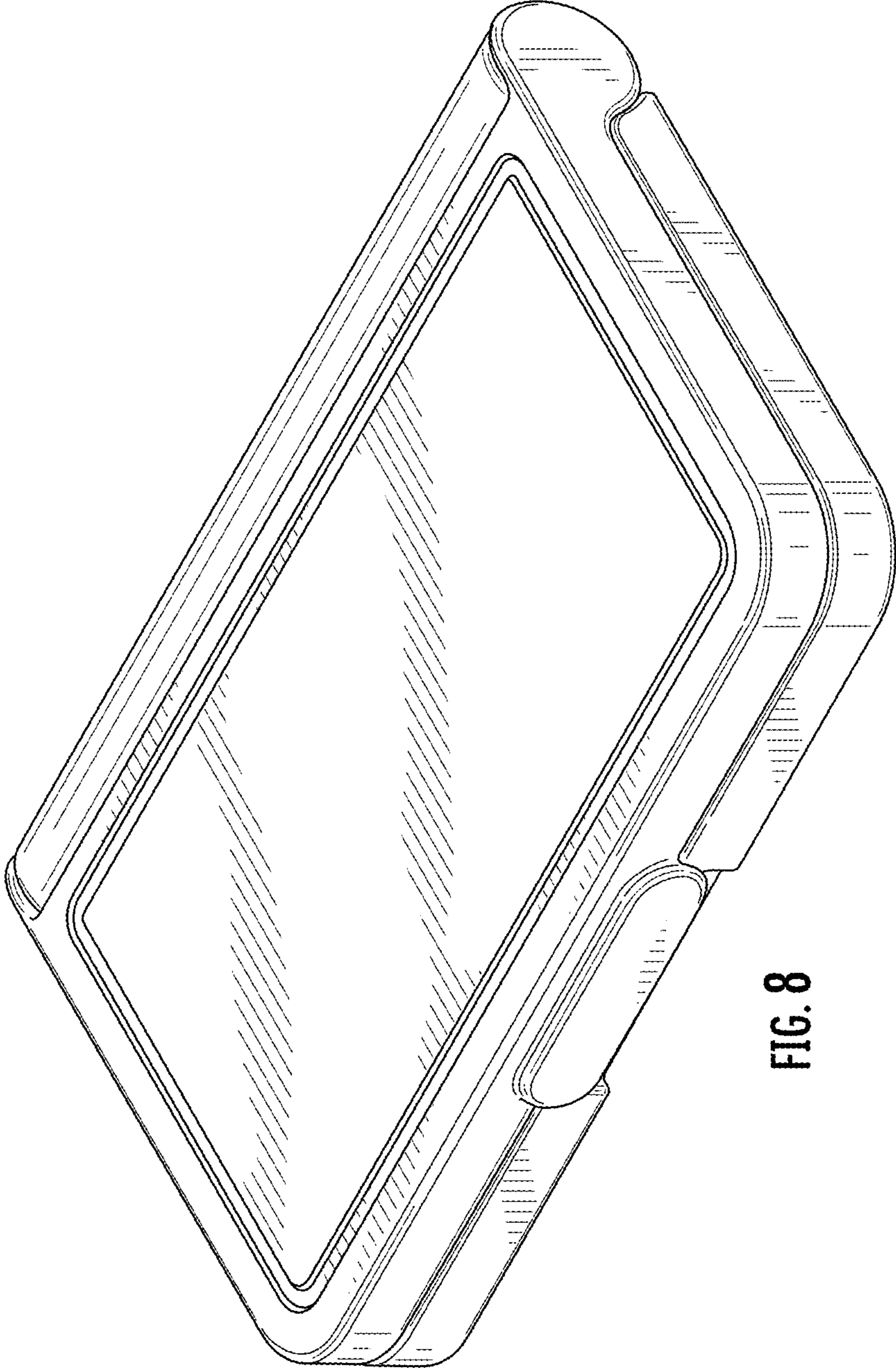


FIG. 8

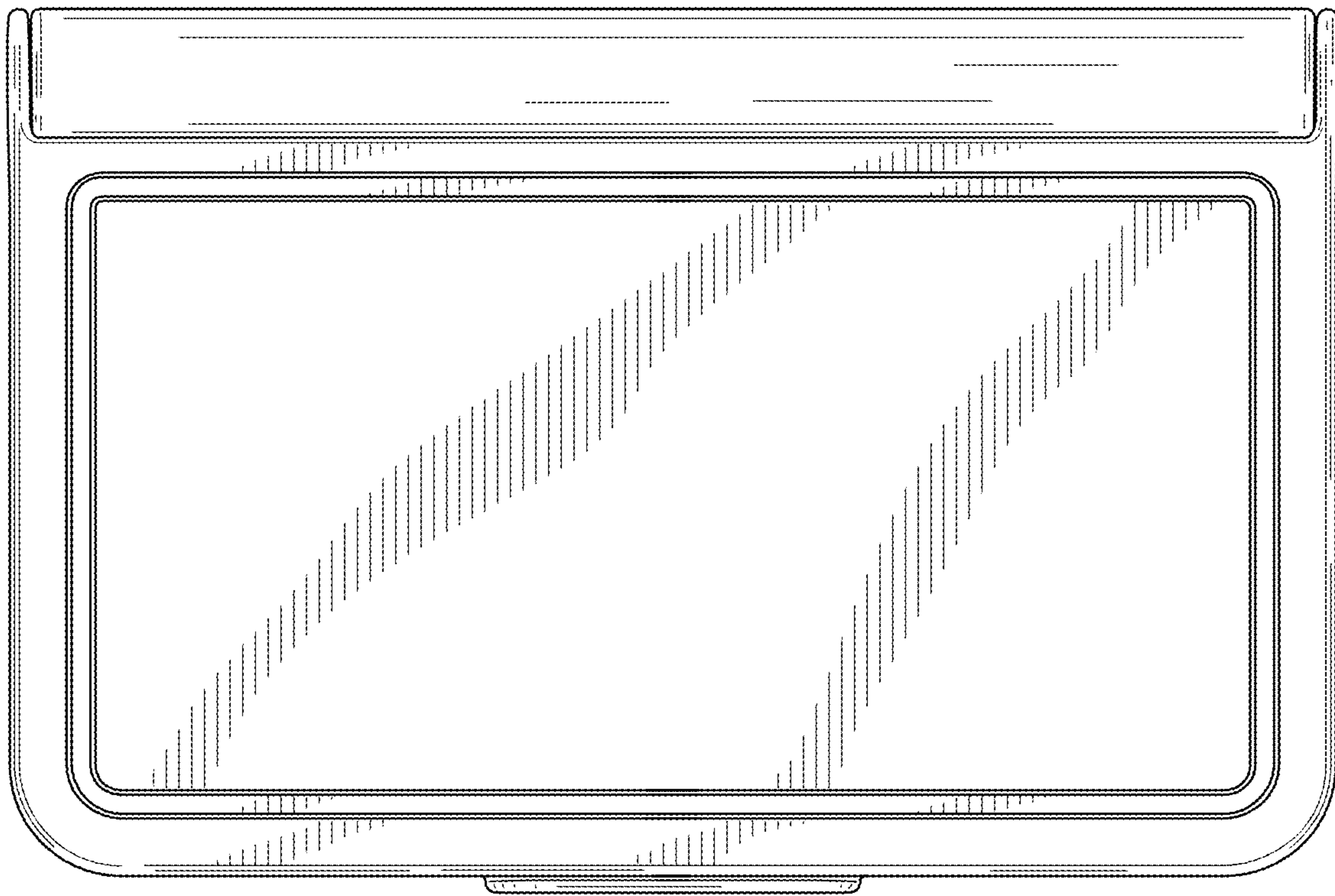


FIG. 9

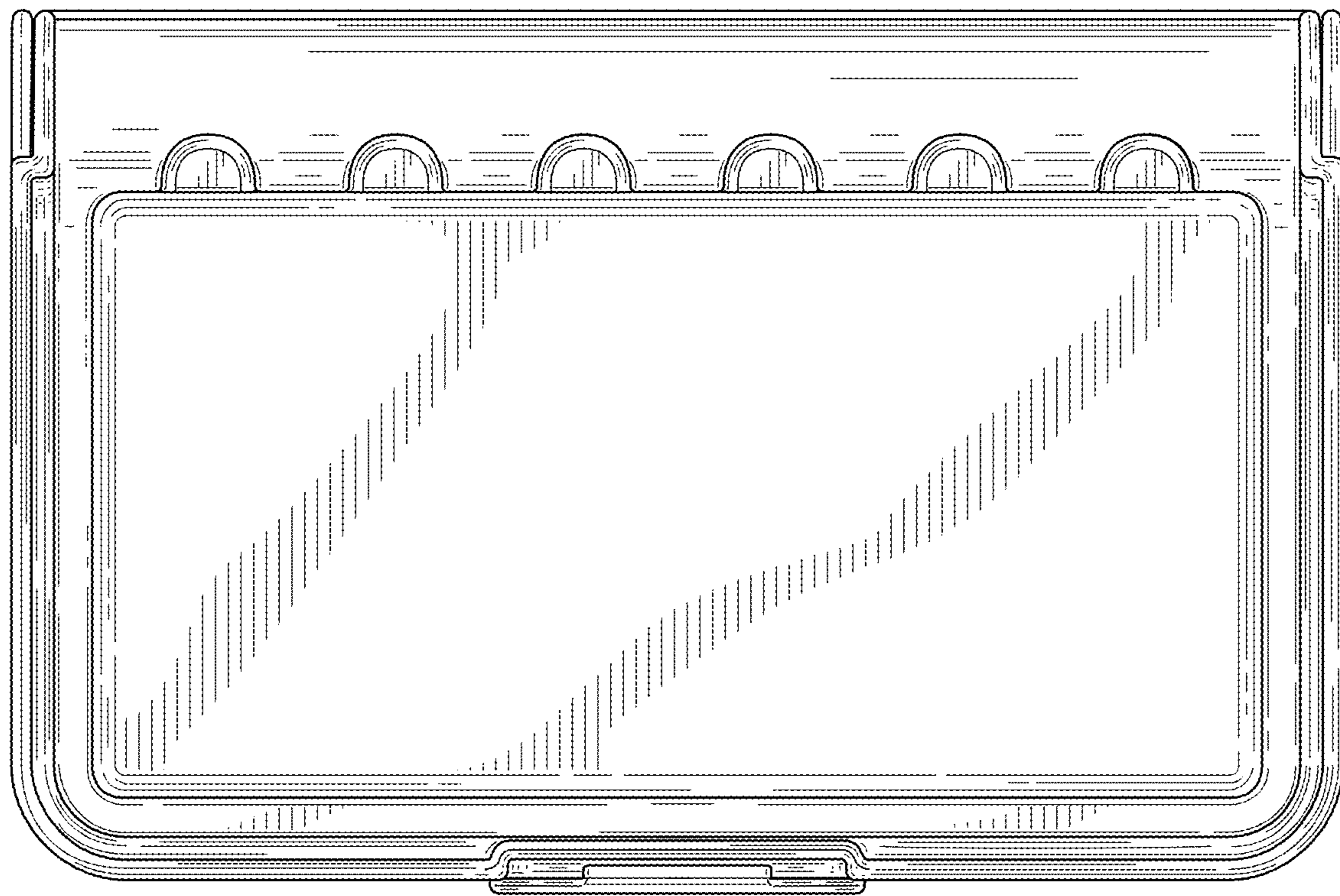


FIG. 10

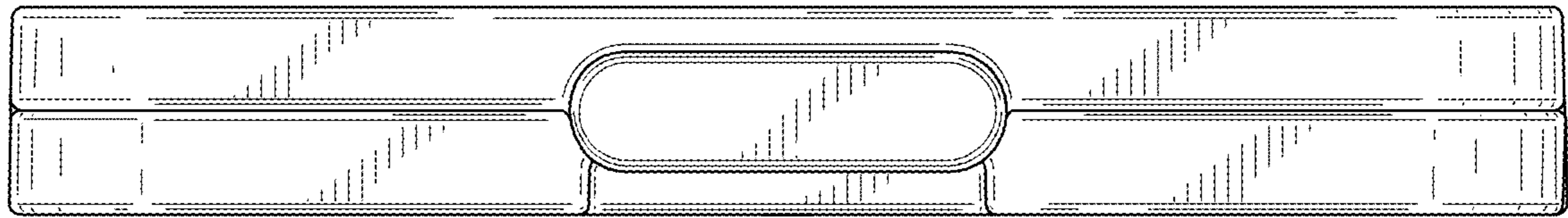


FIG. 11

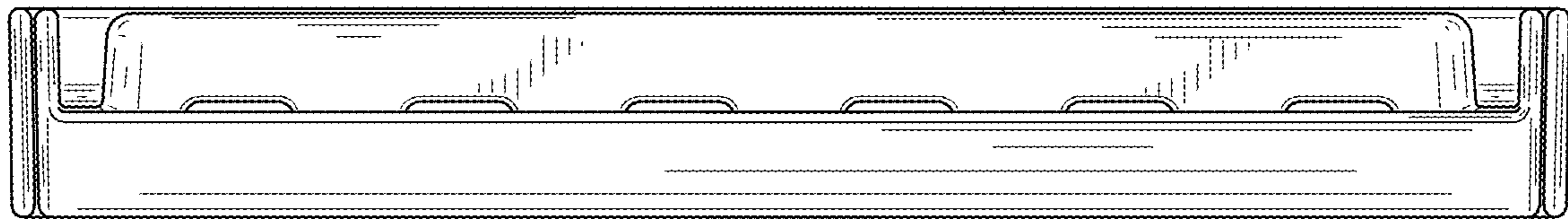


FIG. 12

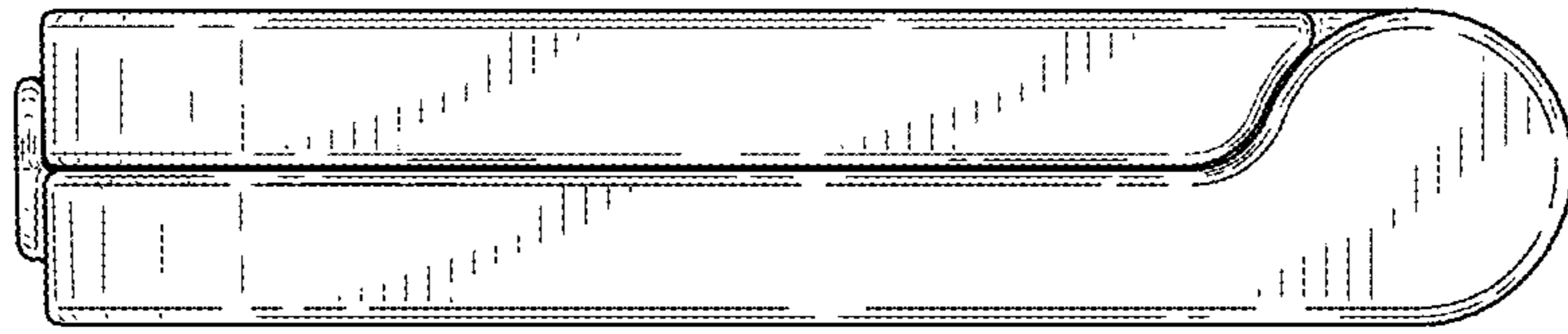


FIG. 13

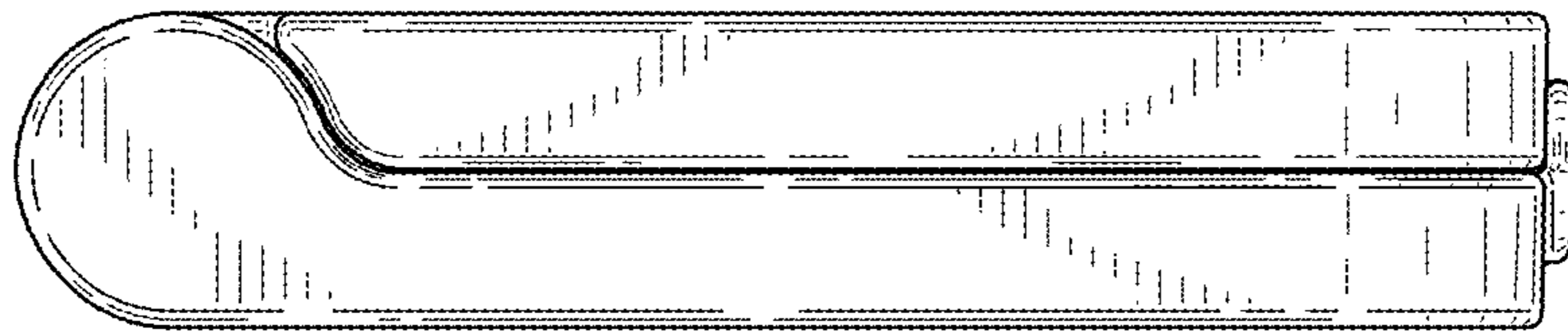


FIG. 14

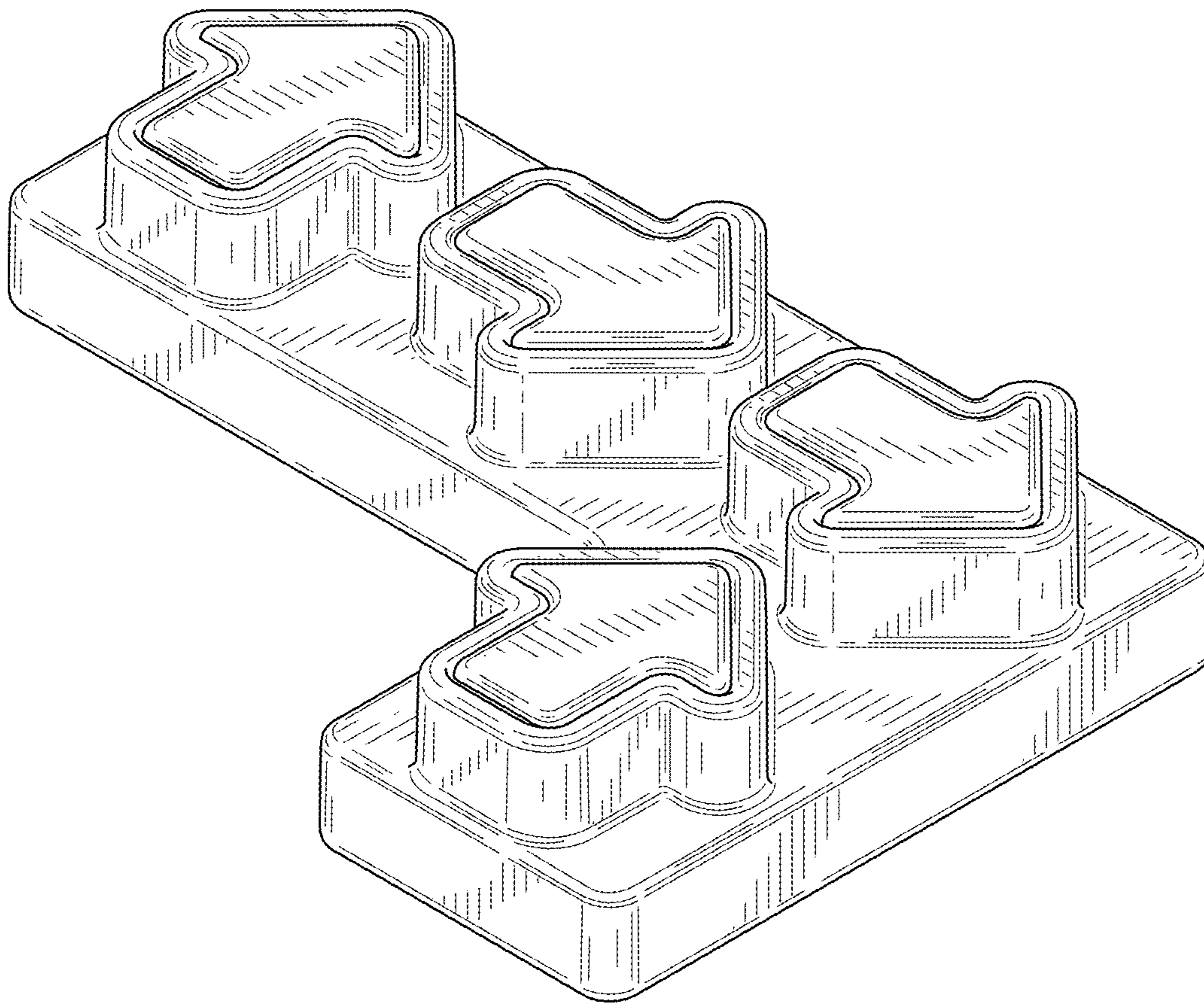


FIG. 15

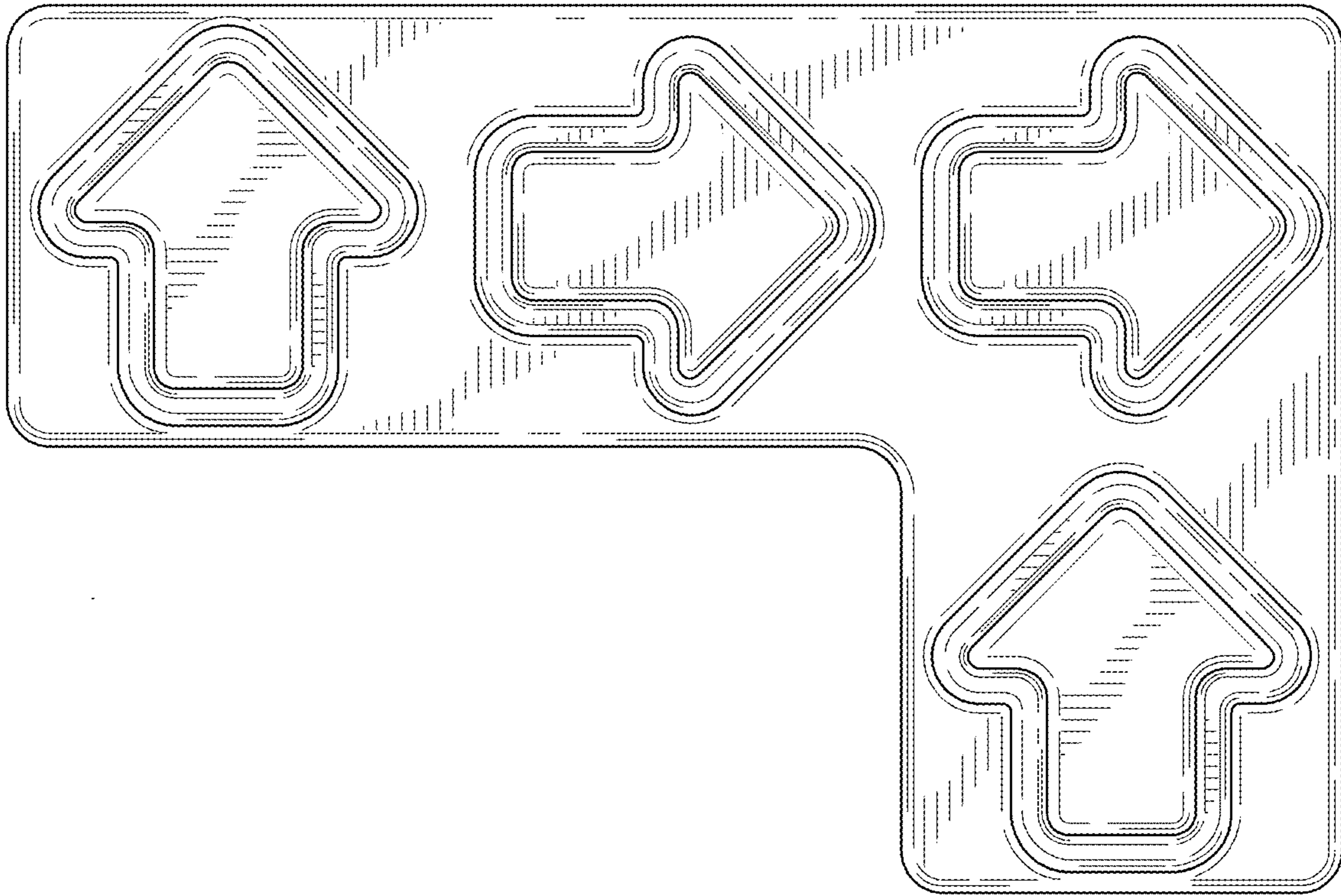


FIG. 16

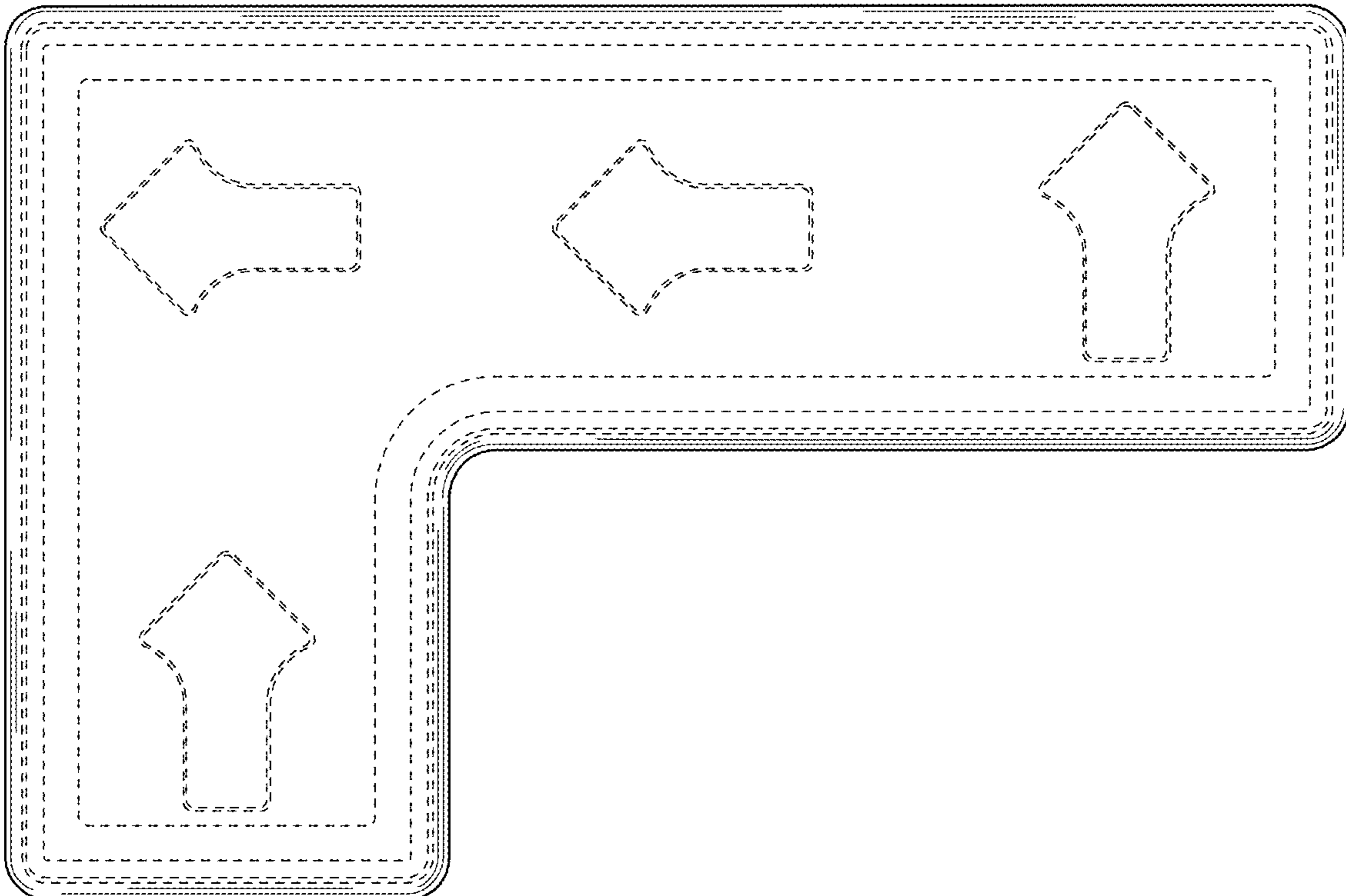


FIG. 17

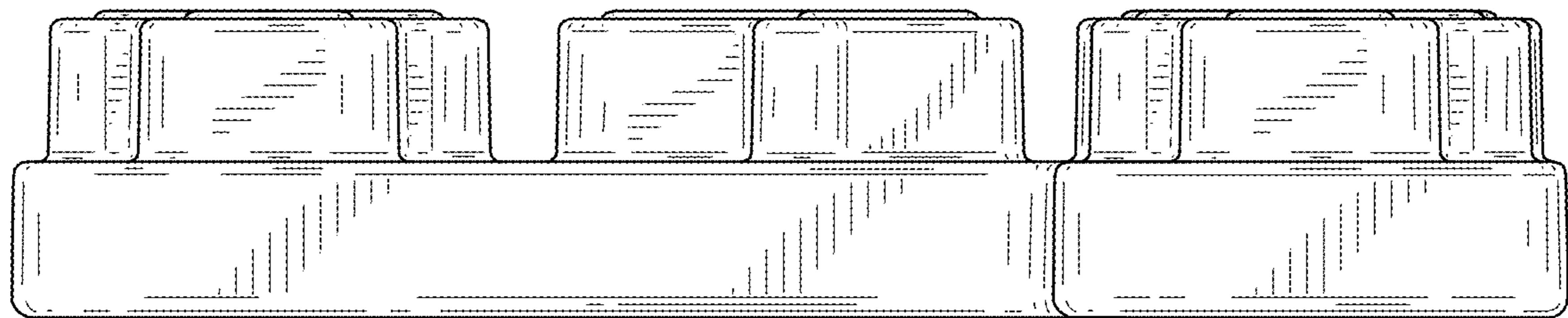


FIG. 18

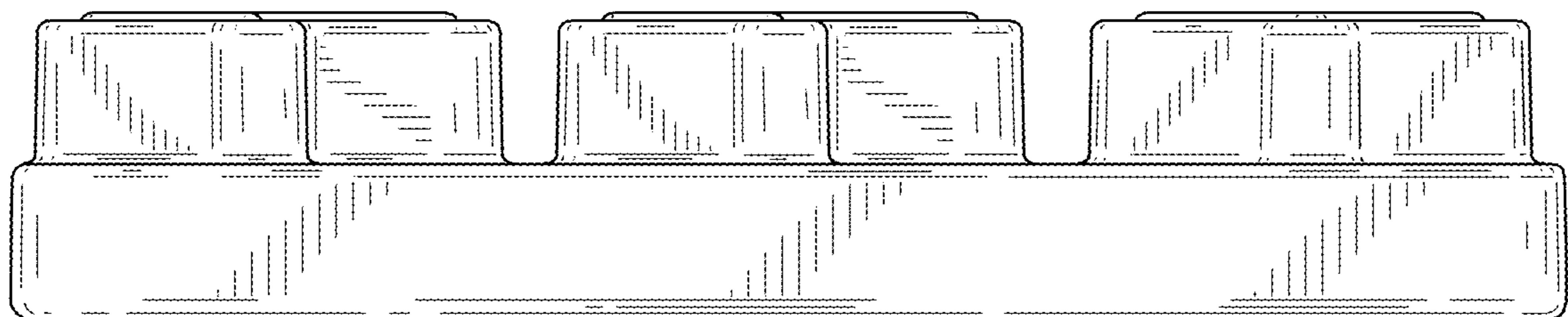


FIG. 19

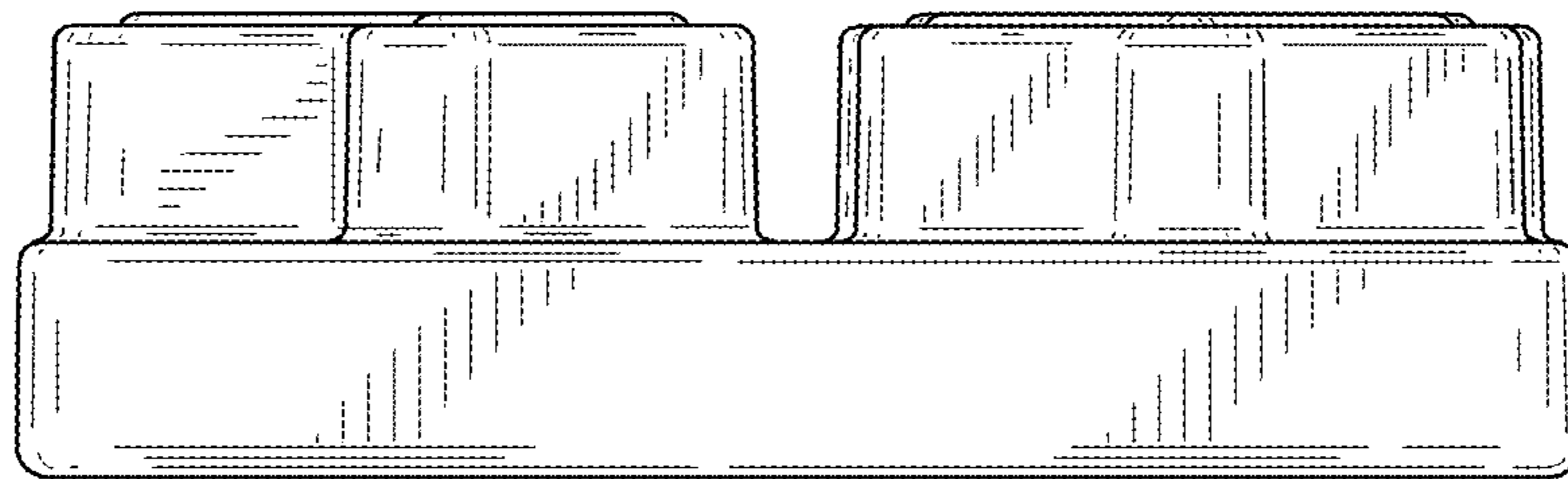


FIG. 20

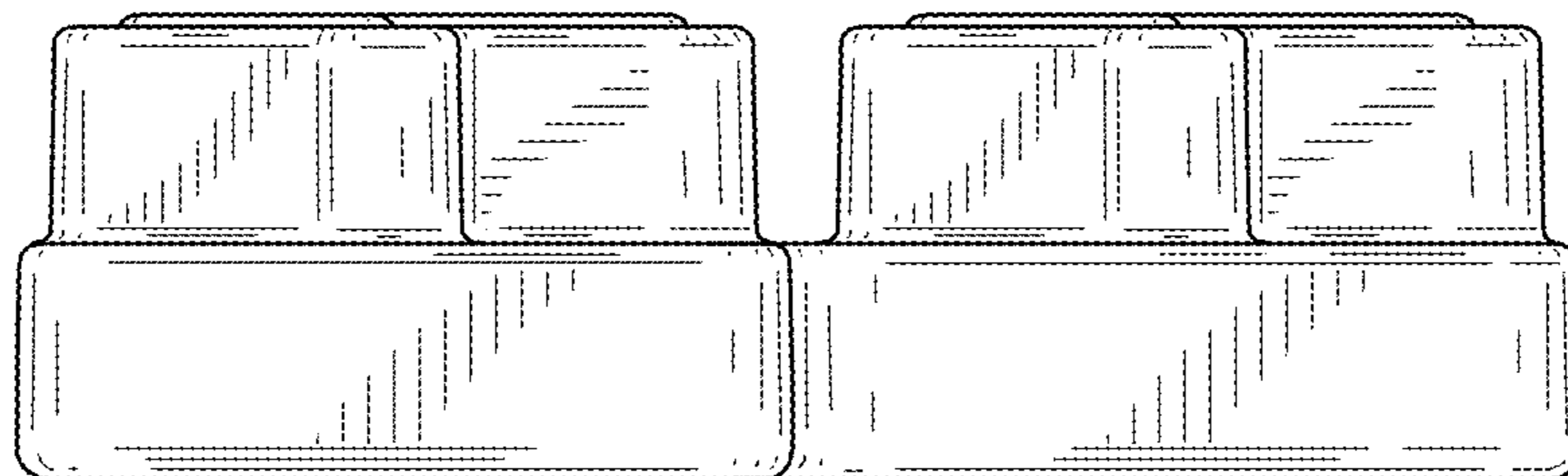


FIG. 21

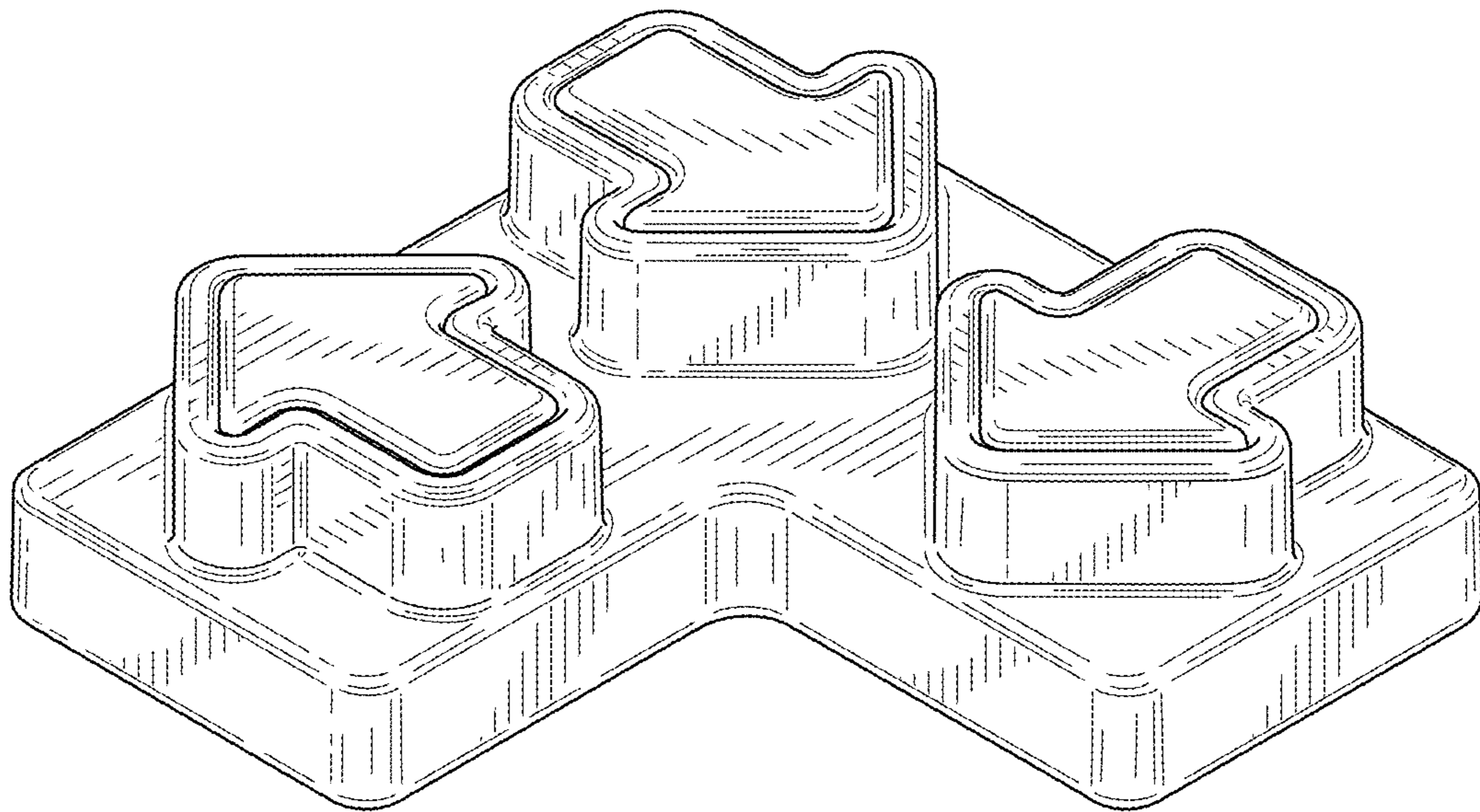


FIG. 22

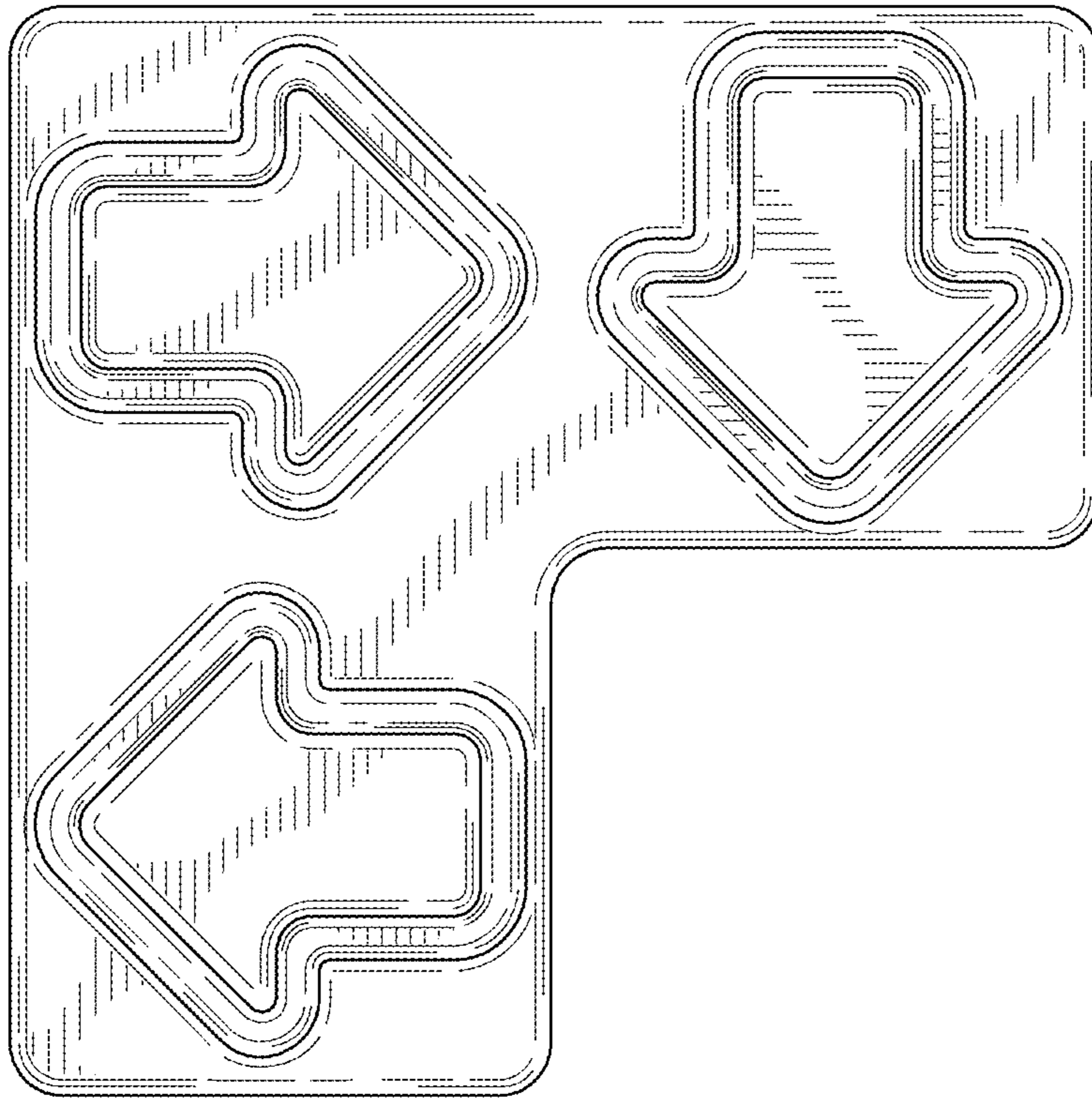


FIG. 23

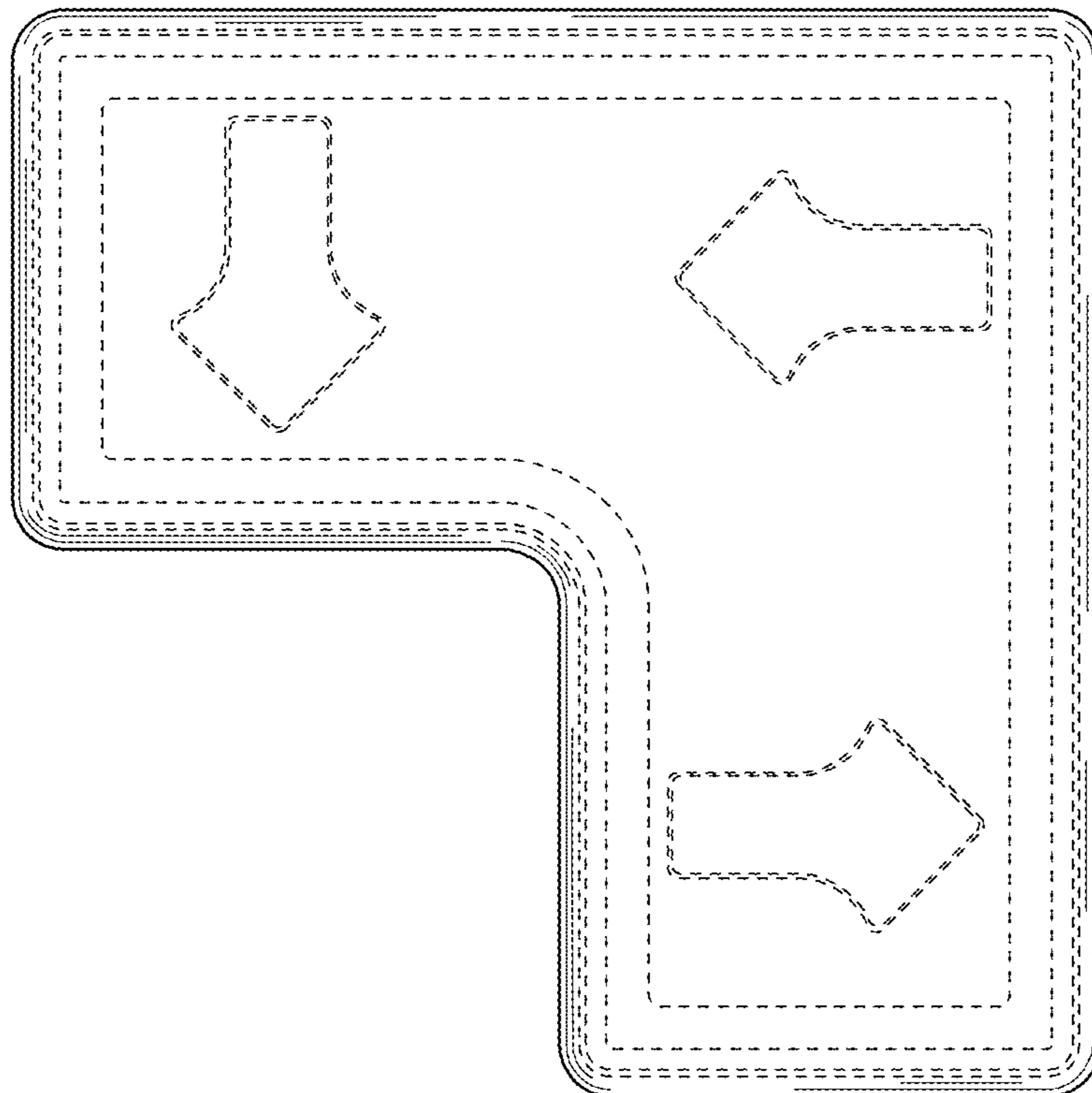


FIG. 24

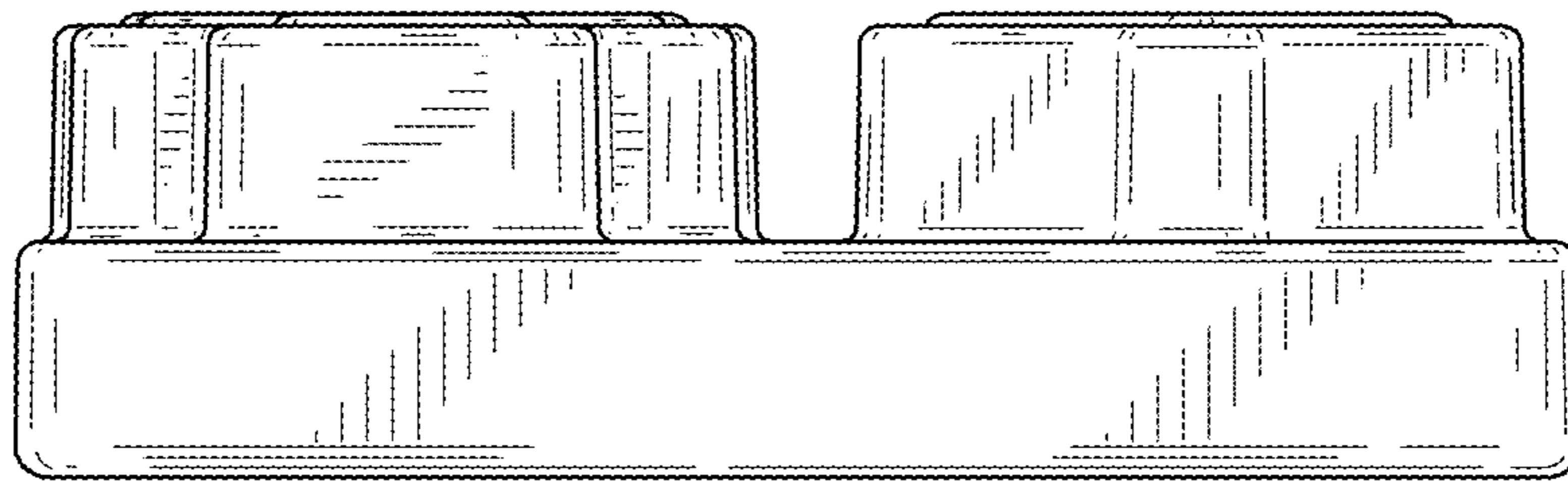


FIG. 25

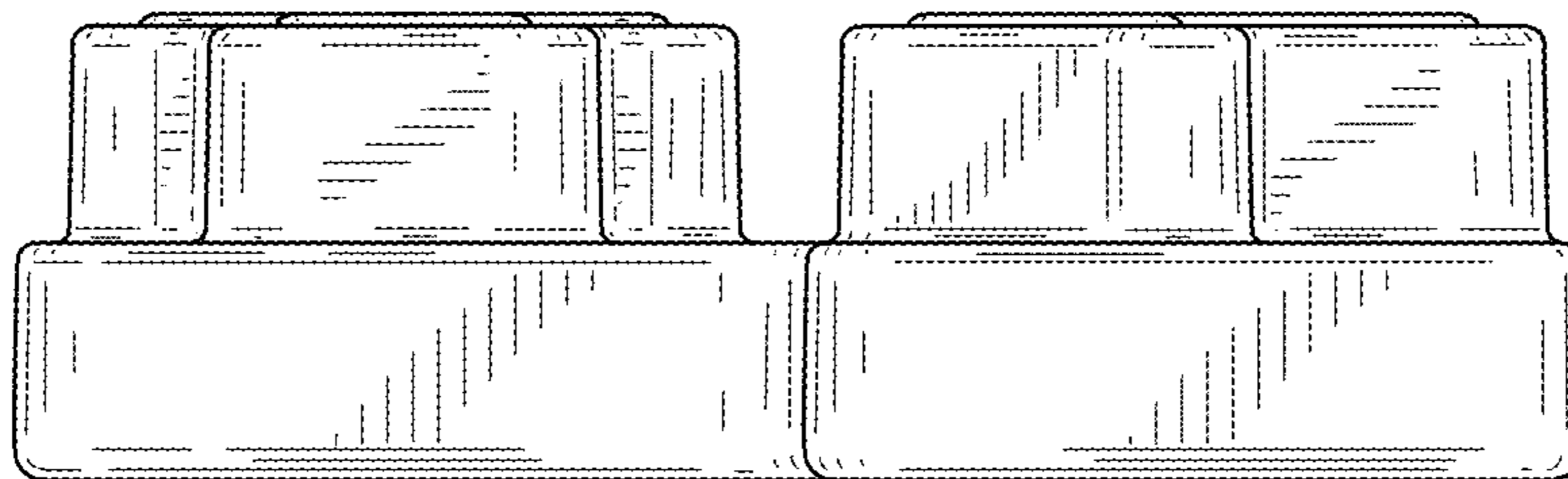


FIG. 26

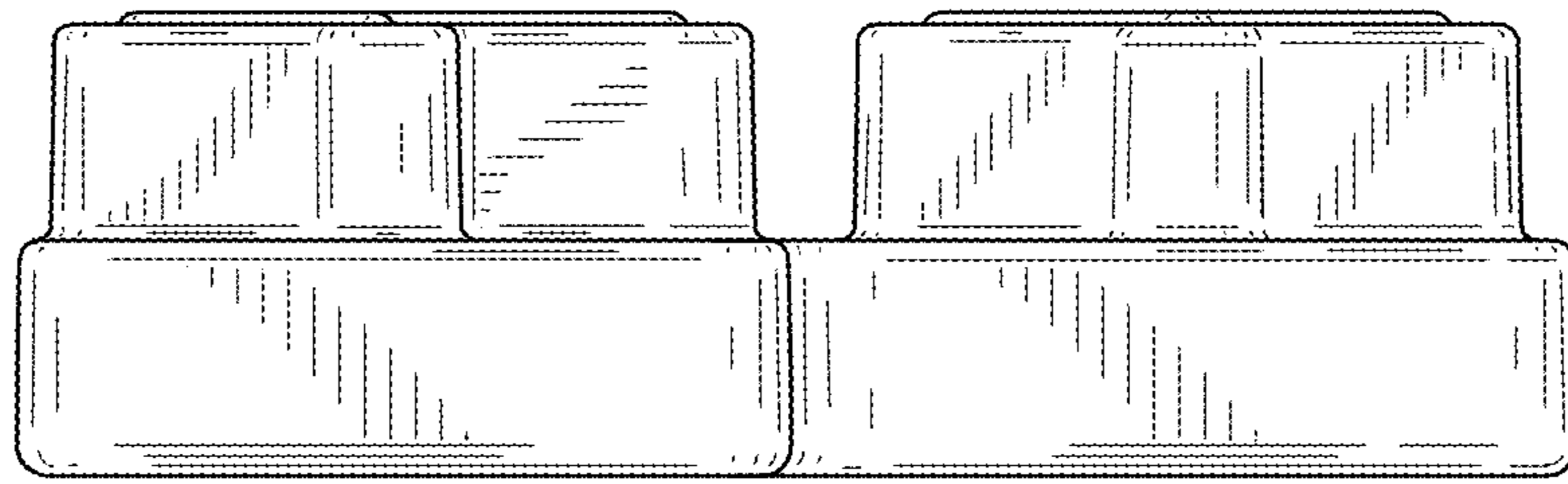


FIG. 27

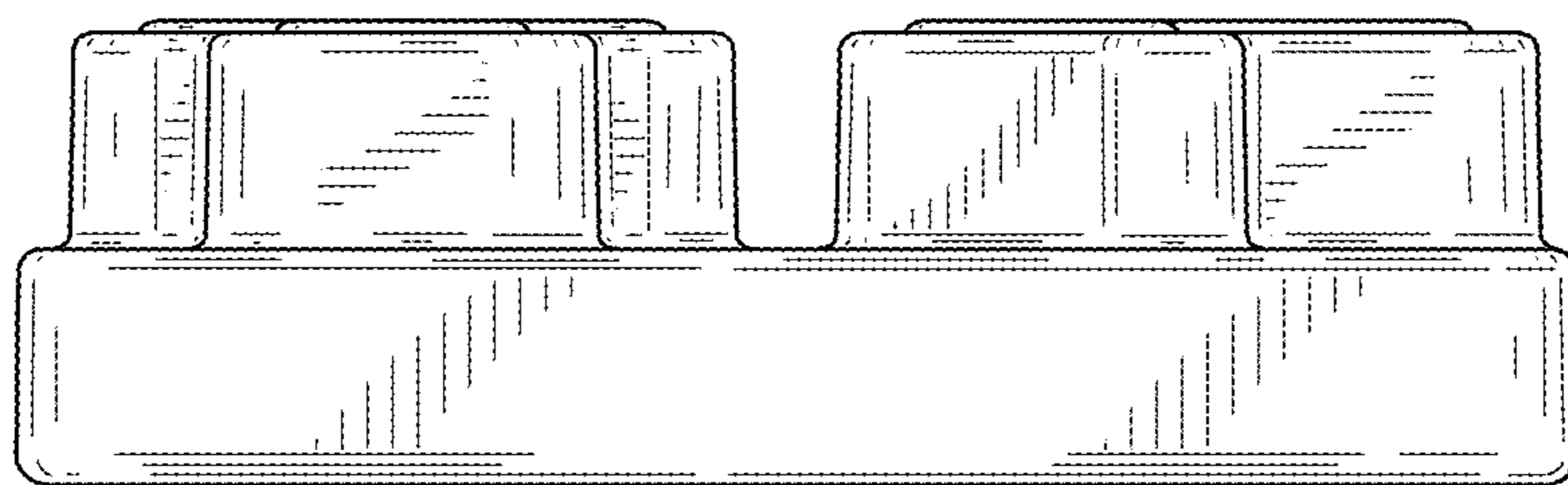


FIG. 28

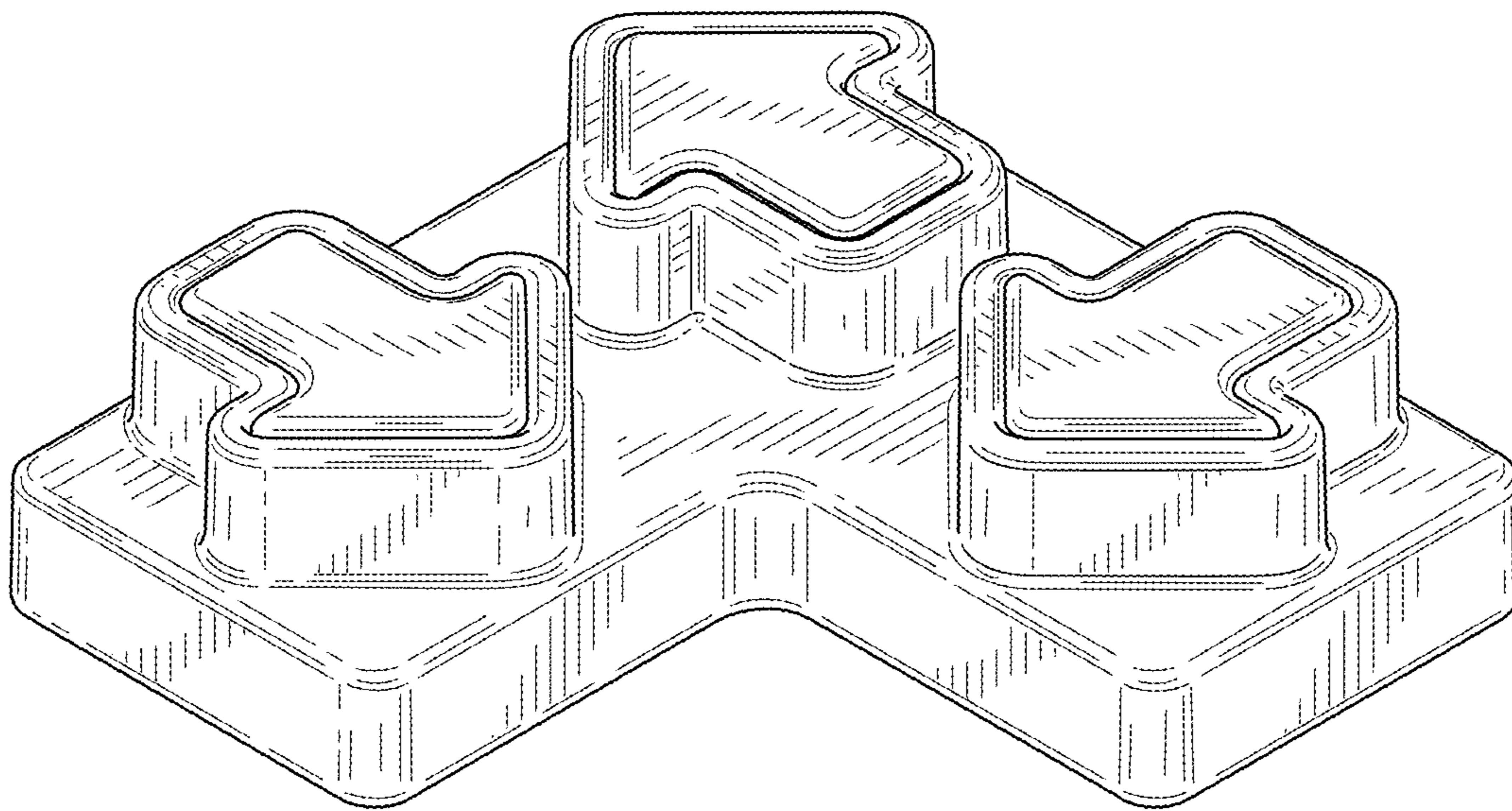


FIG. 29

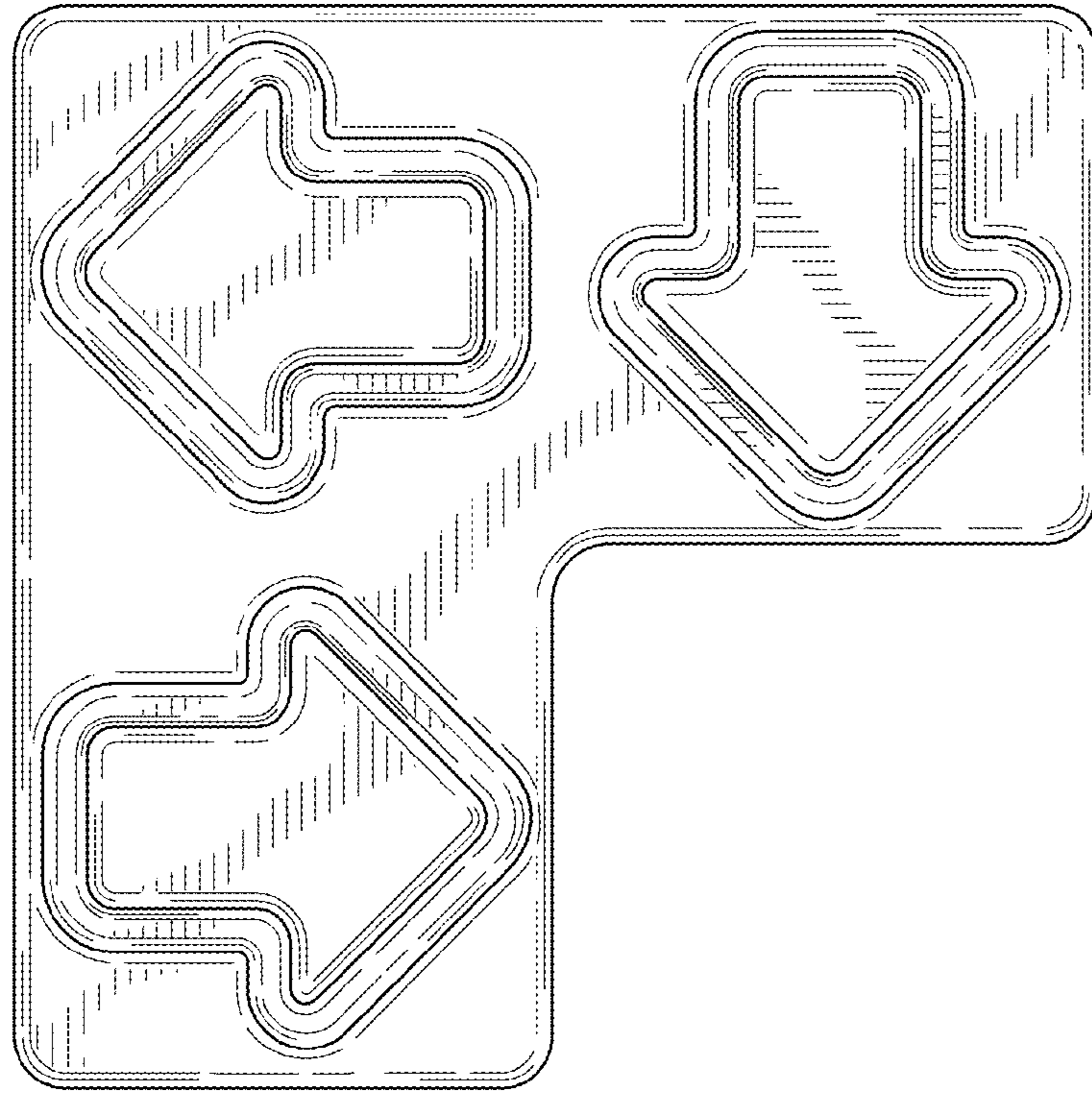


FIG. 30

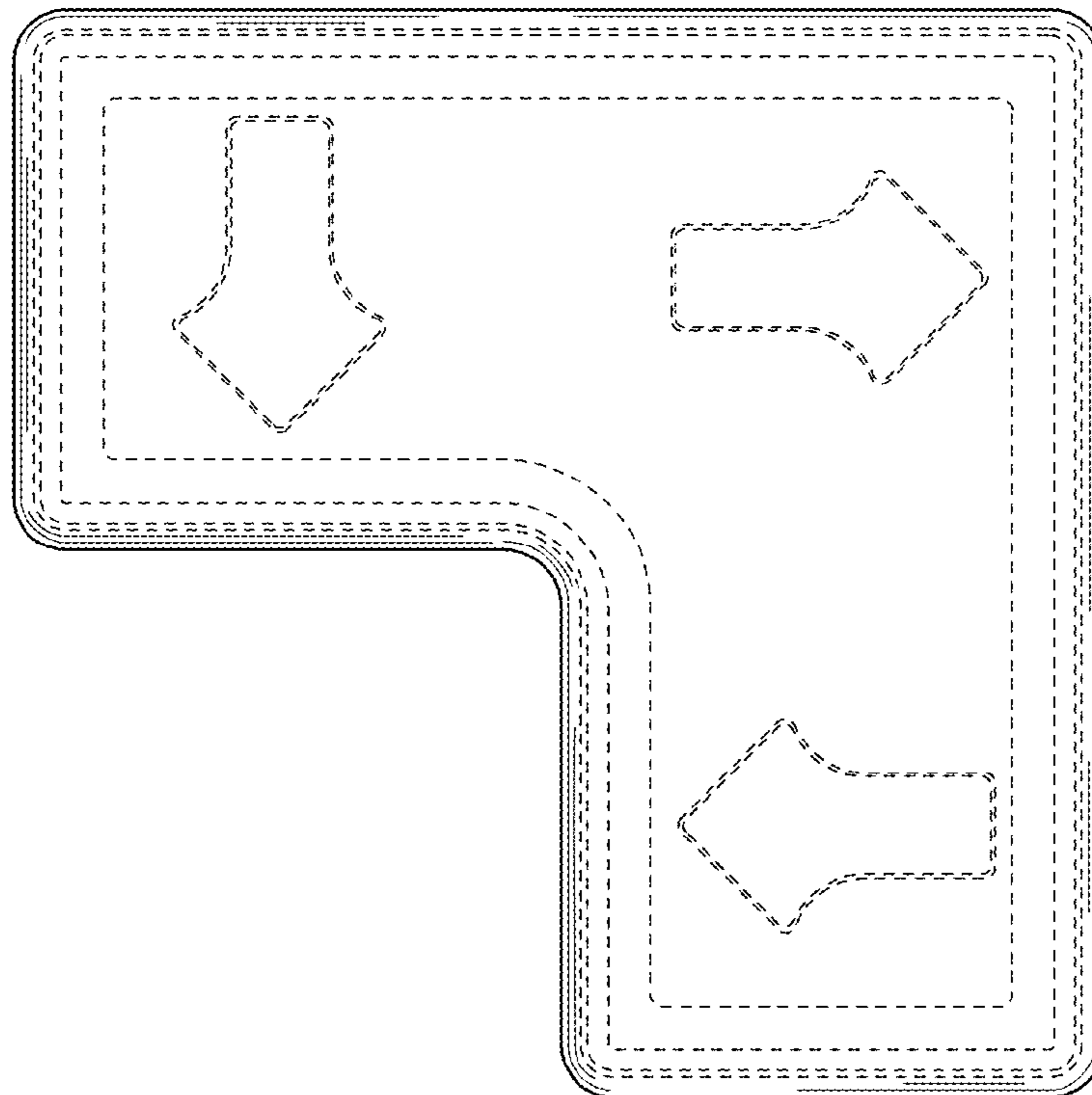


FIG. 31

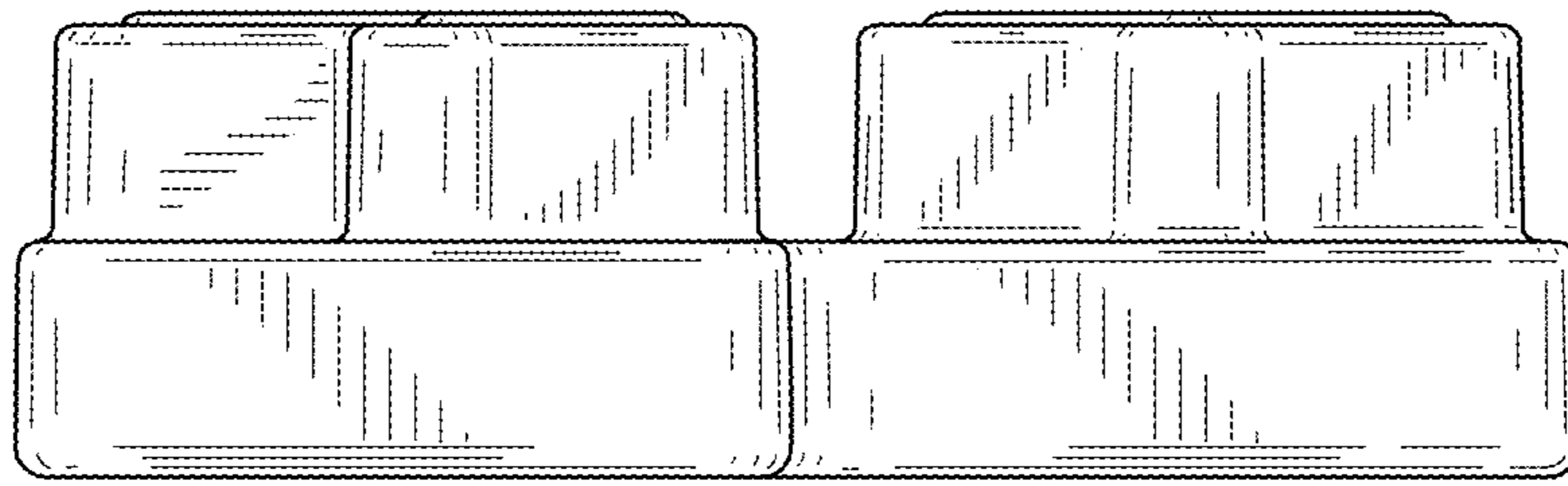


FIG. 32

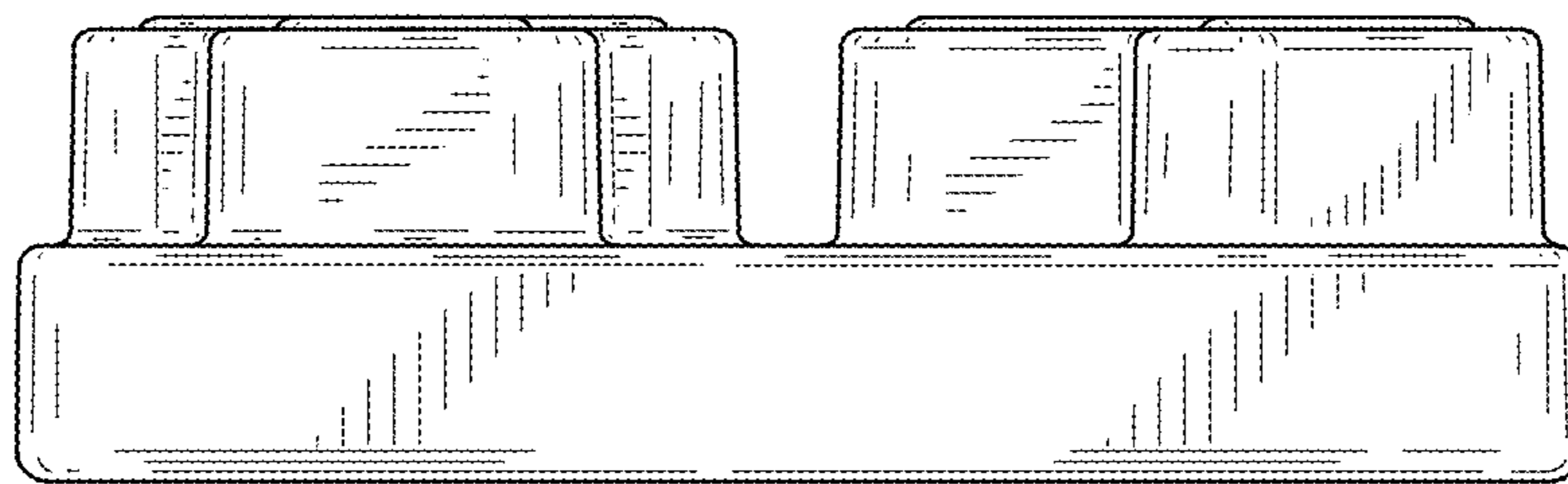


FIG. 33

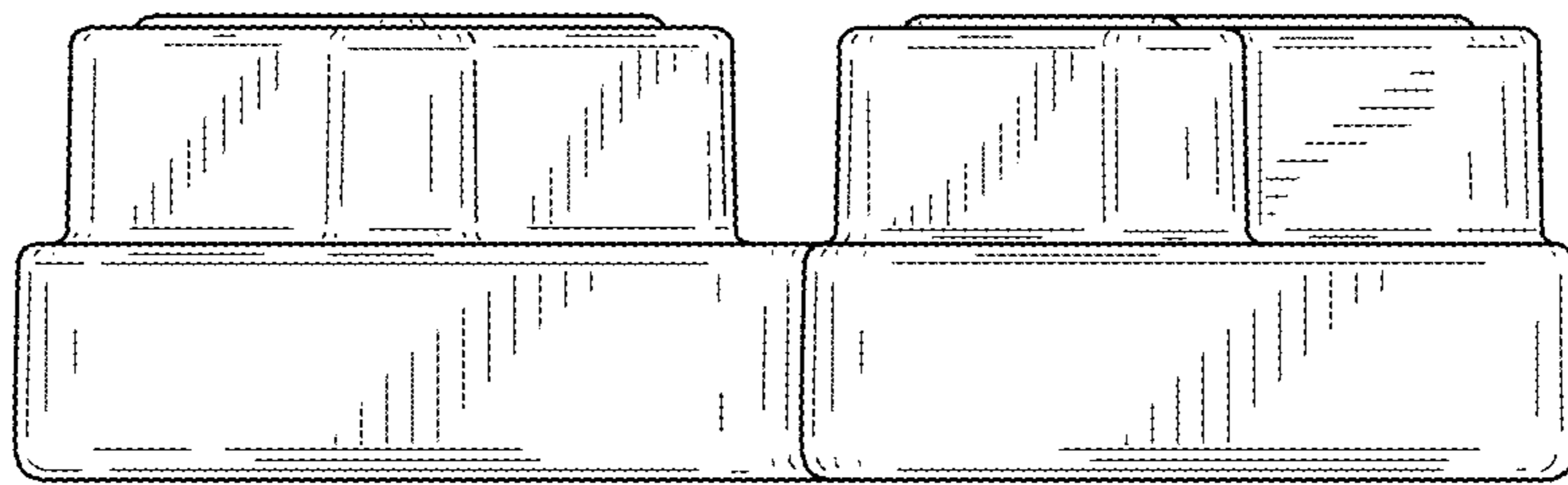


FIG. 34

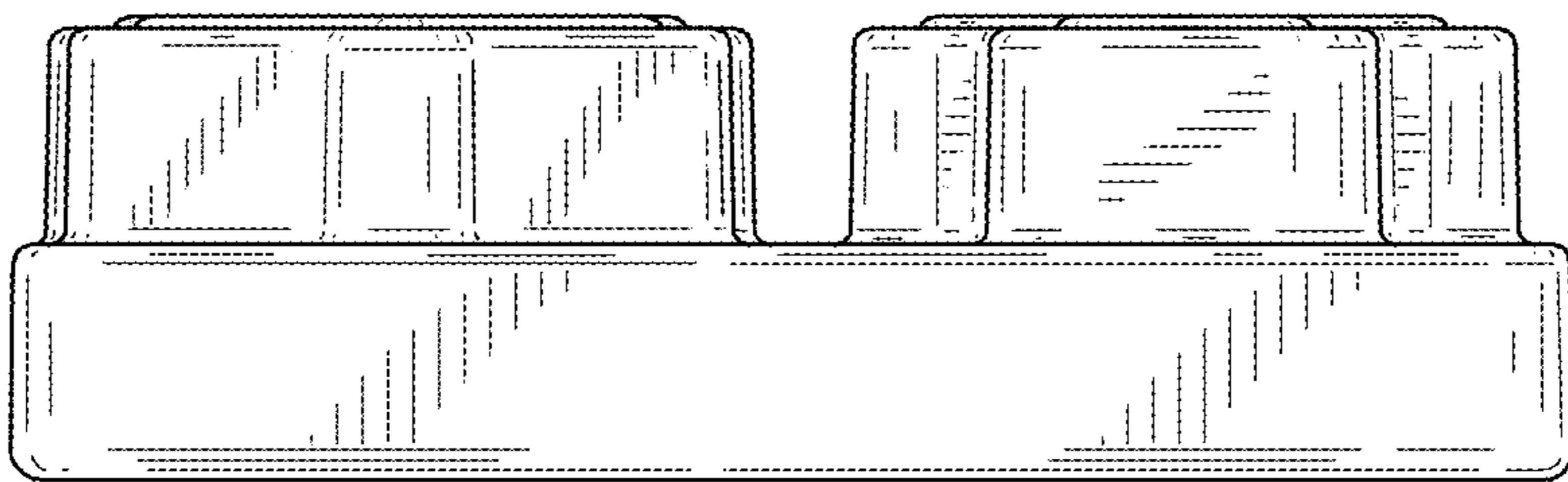


FIG. 35

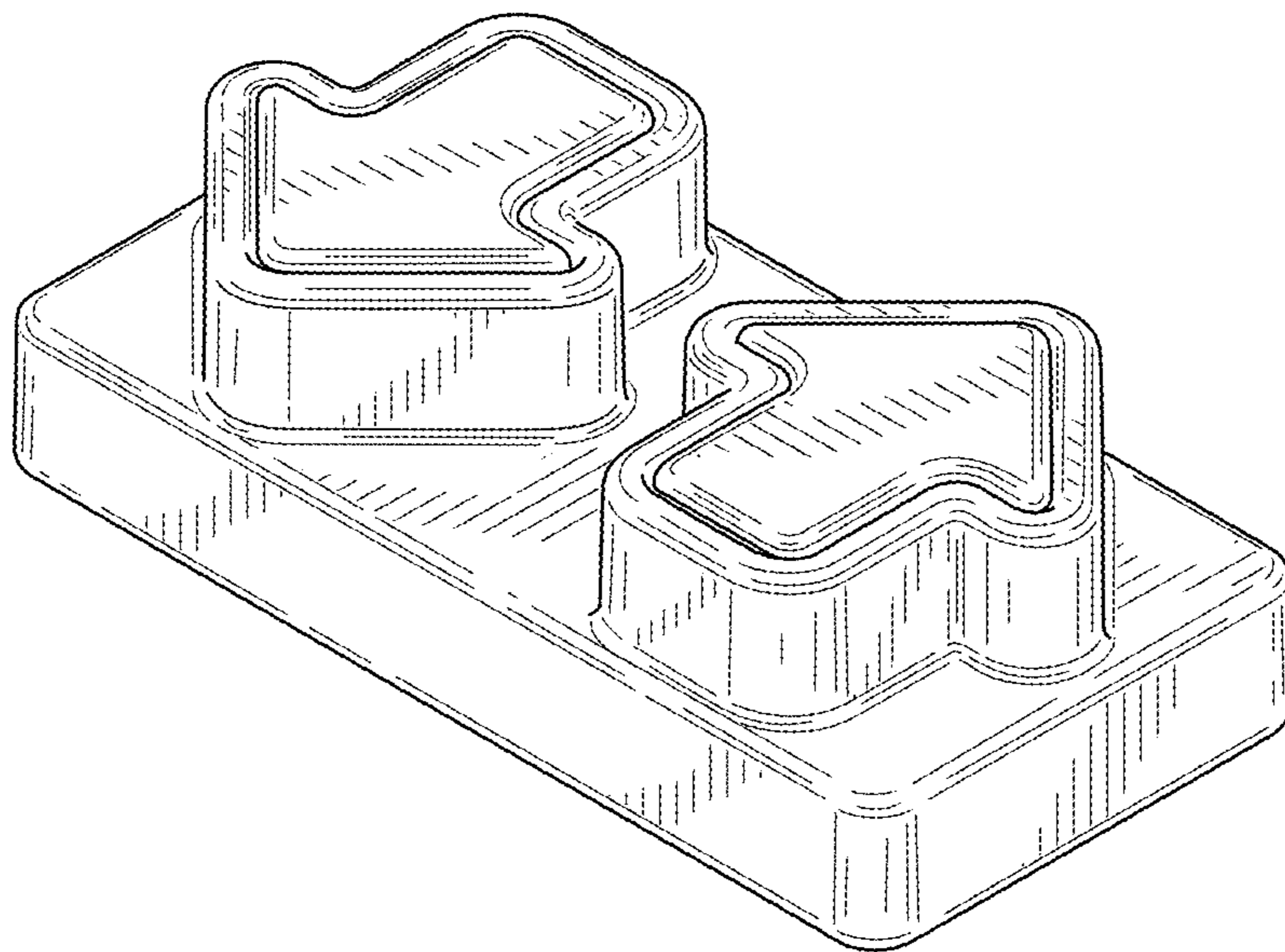


FIG. 36

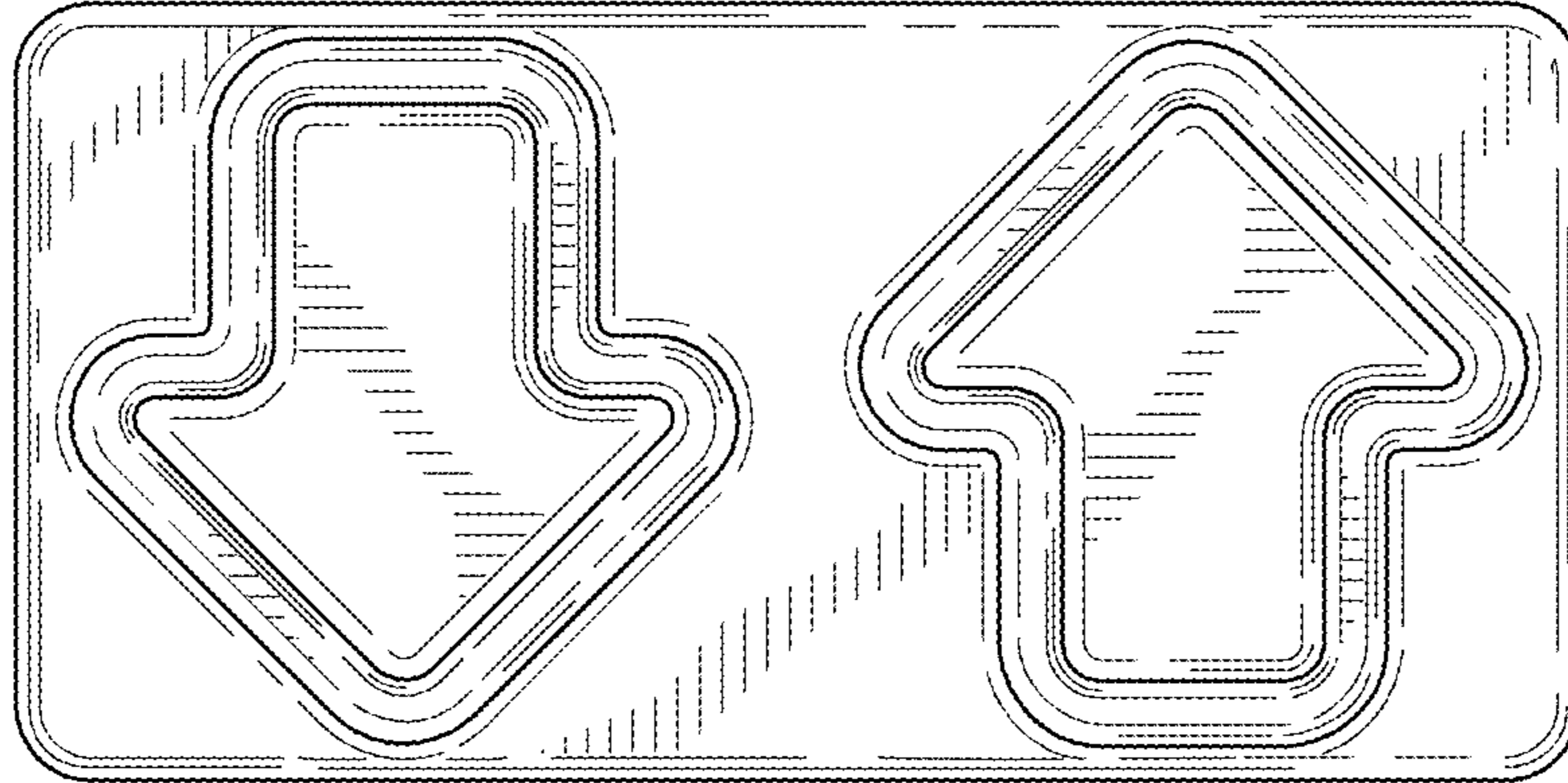


FIG. 37

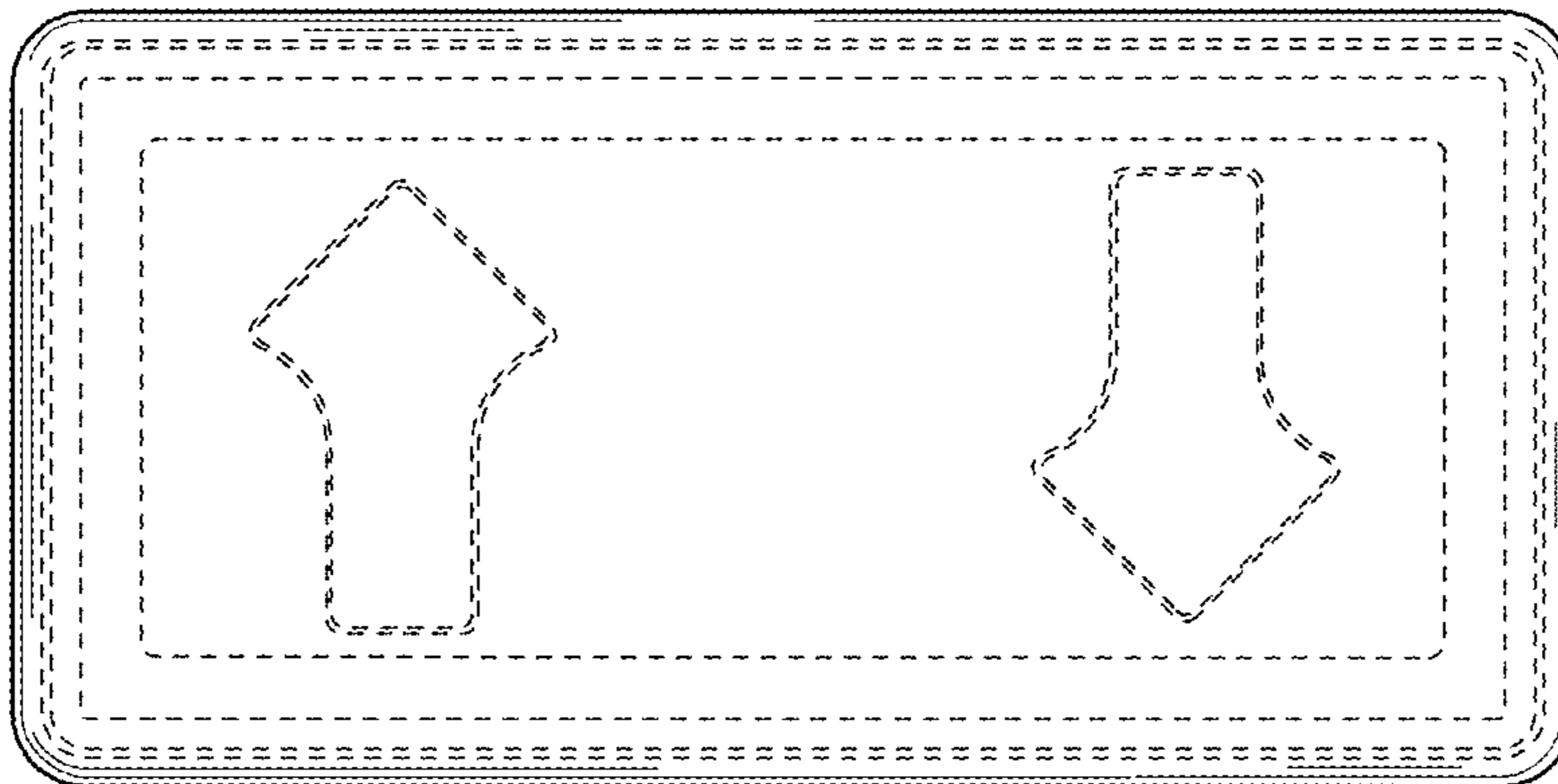


FIG. 38

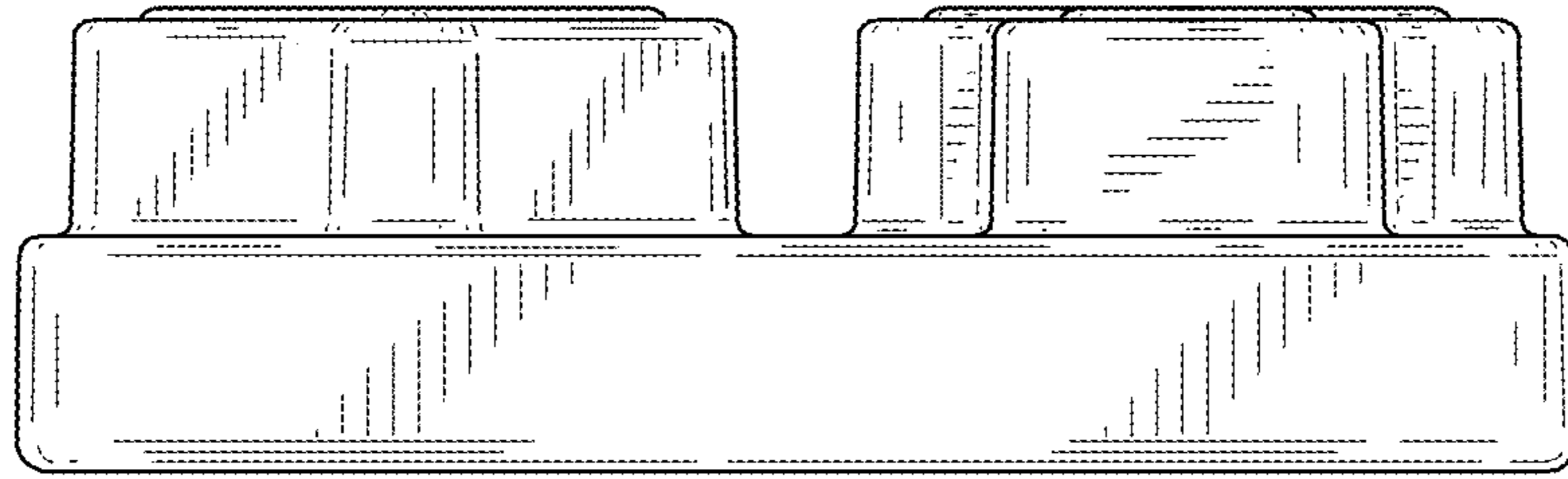


FIG. 39

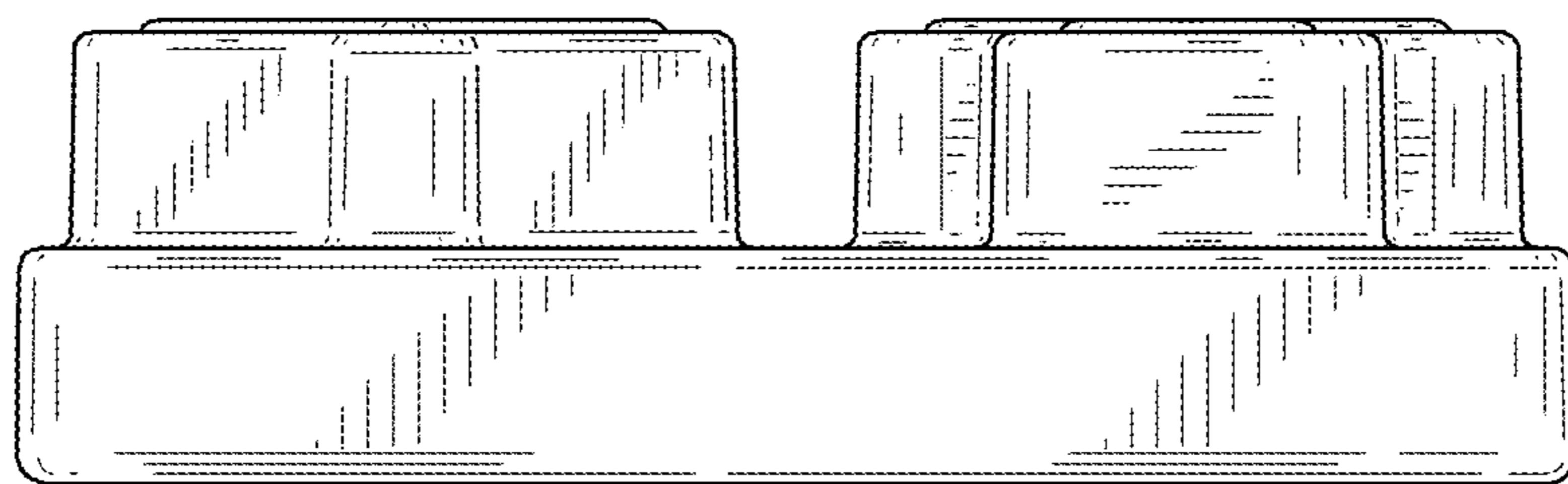


FIG. 40

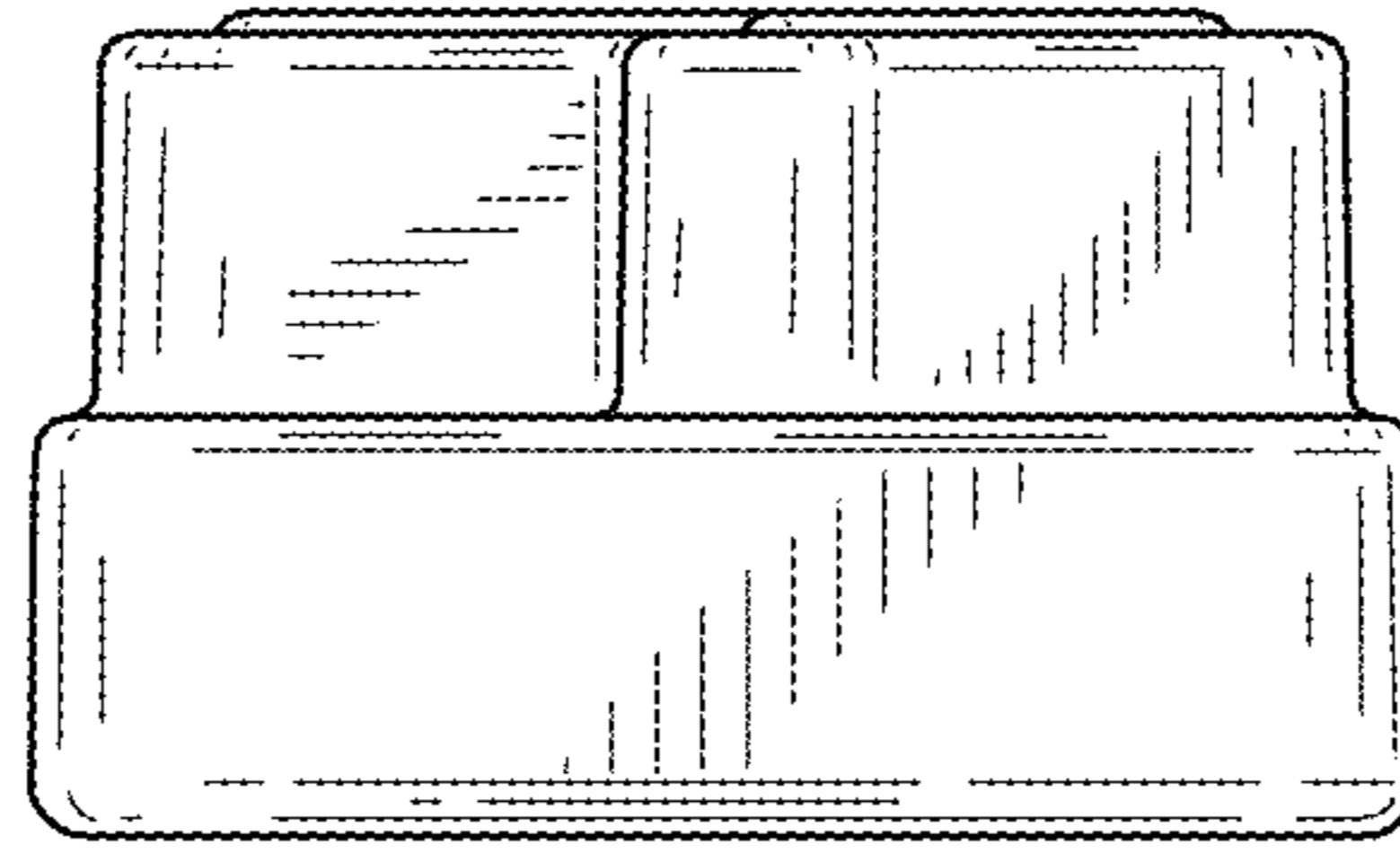


FIG. 41

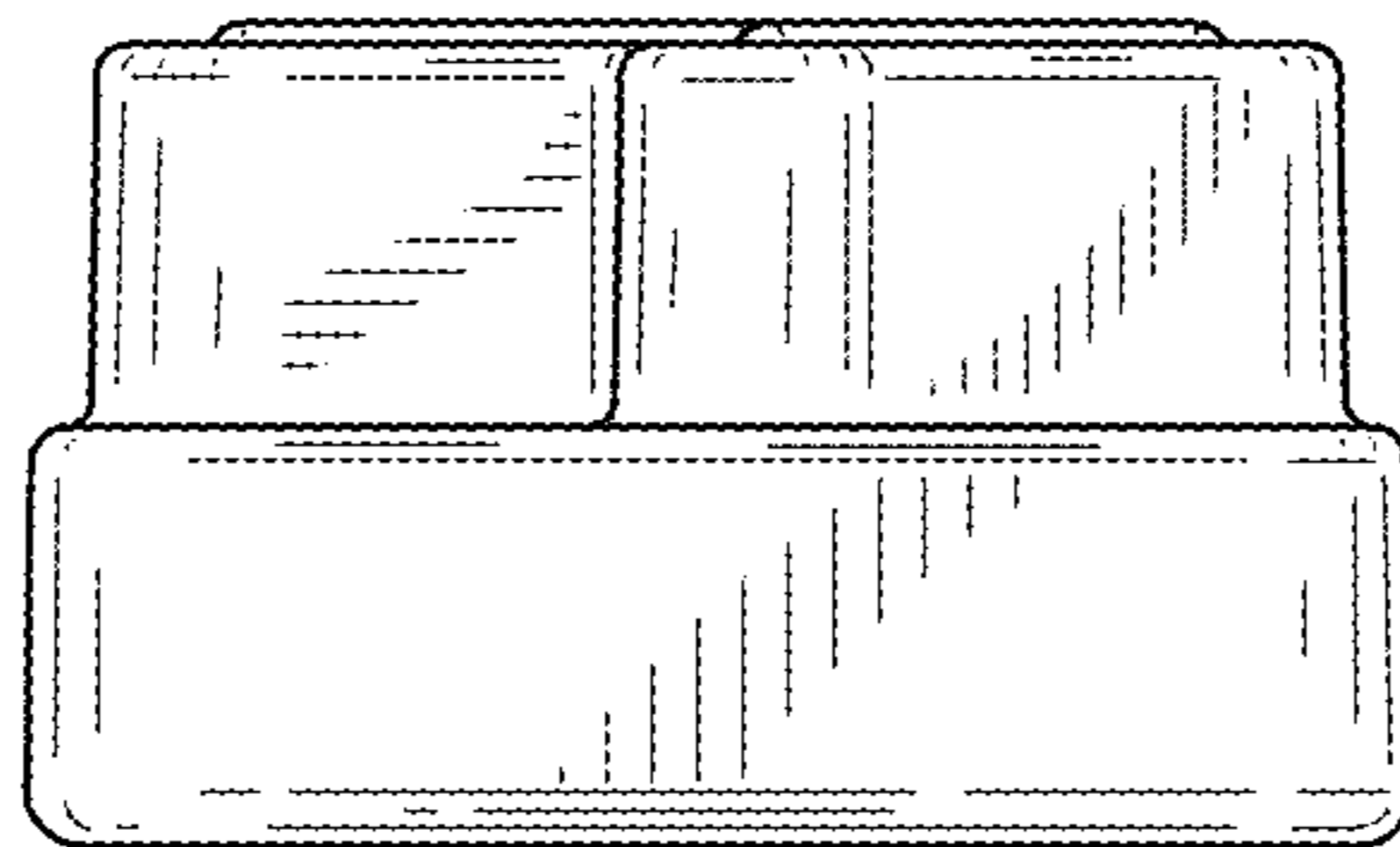


FIG. 42

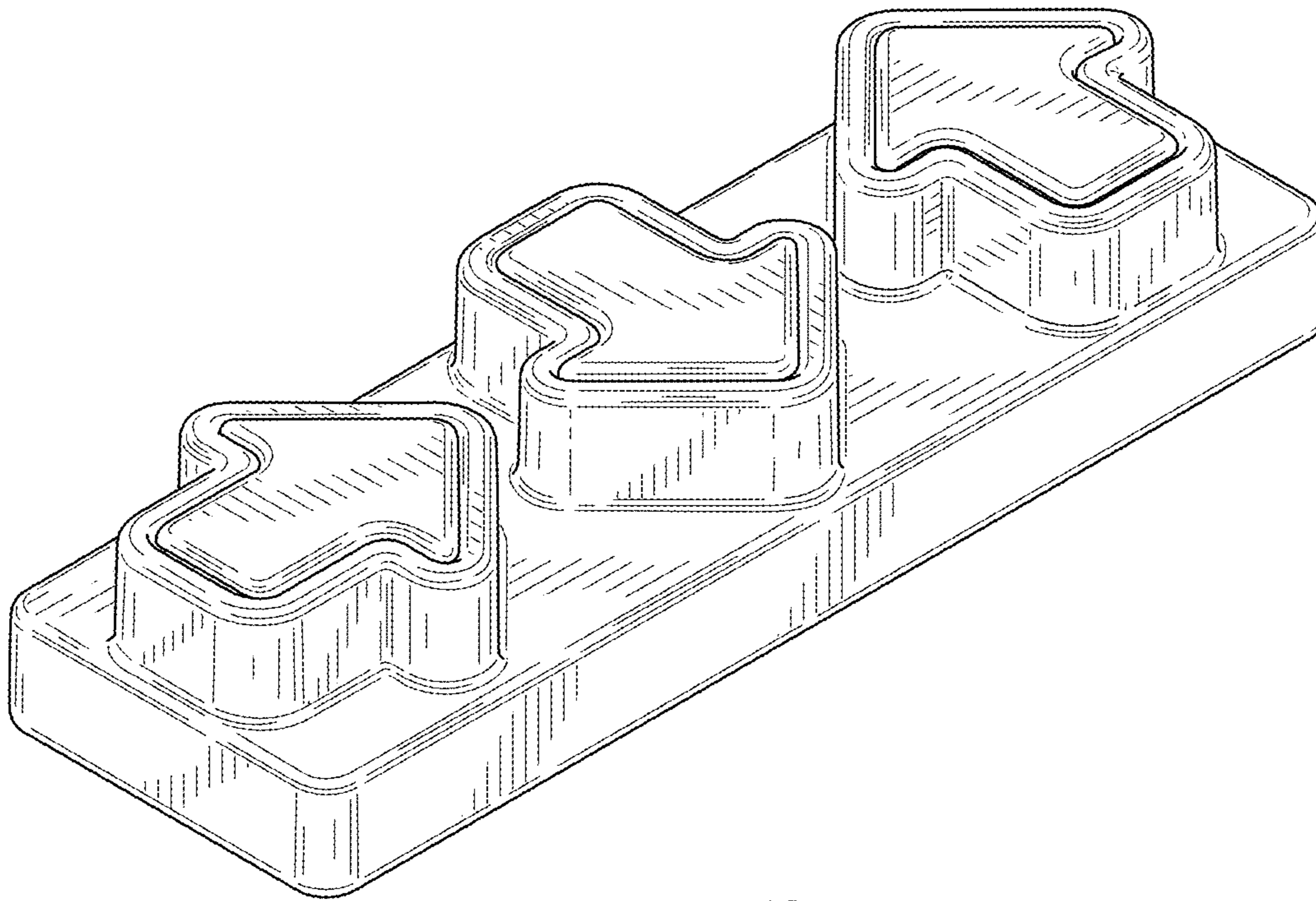


FIG. 43

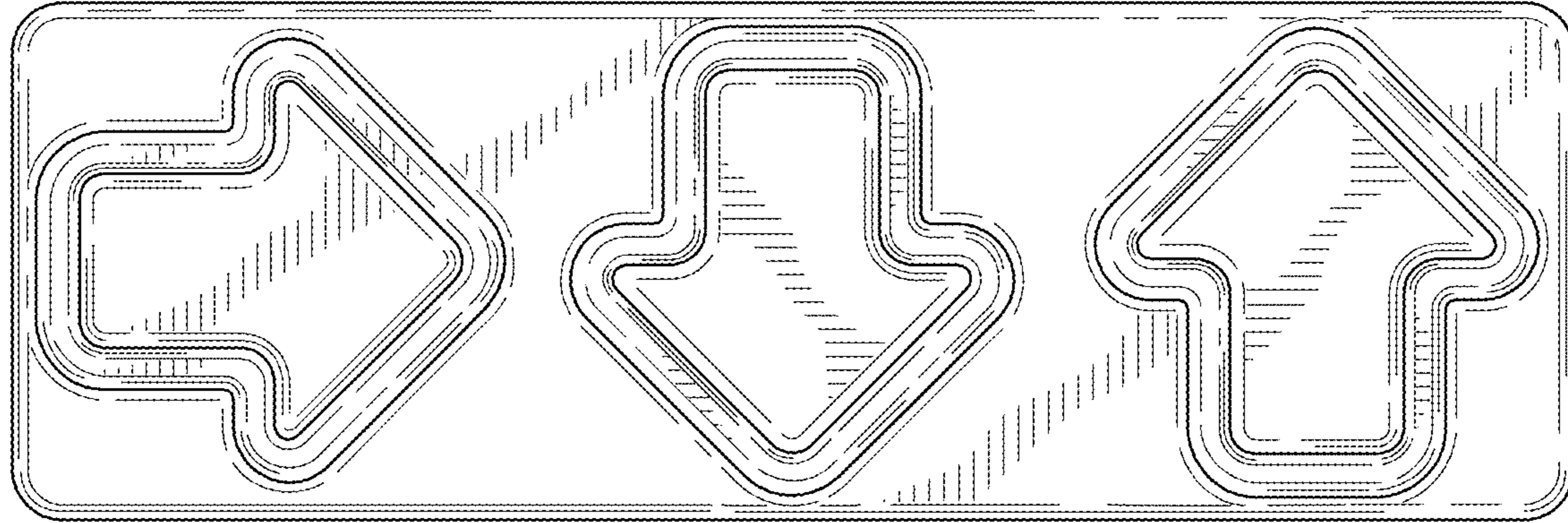


FIG. 44

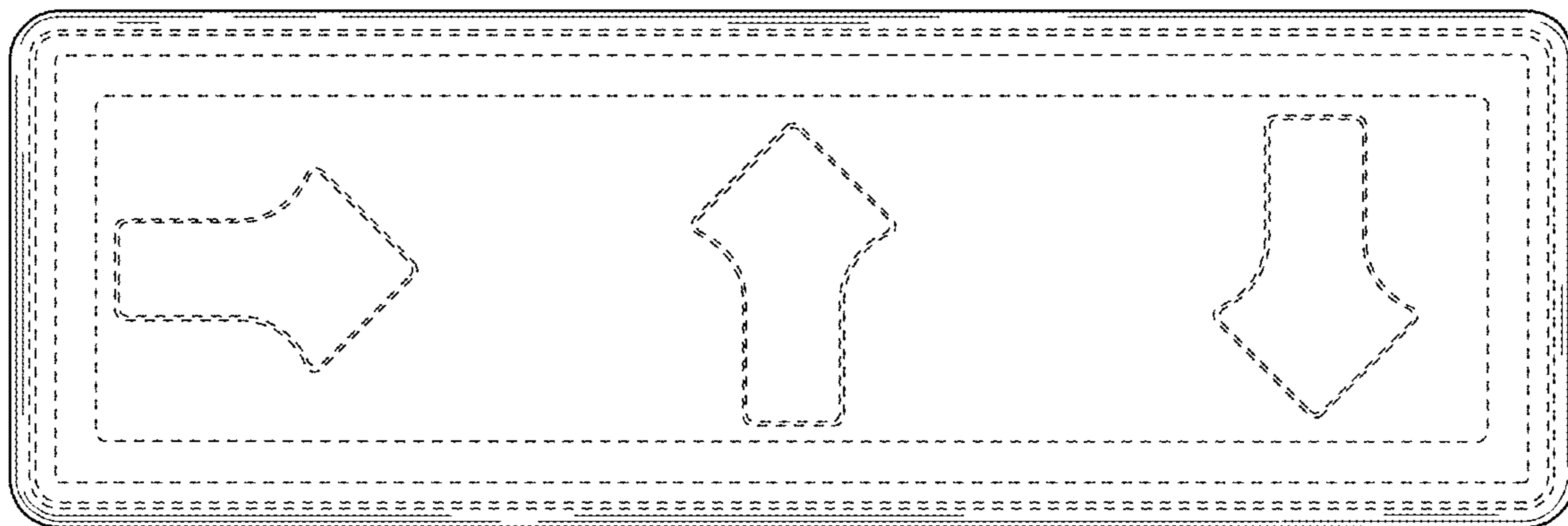


FIG. 45

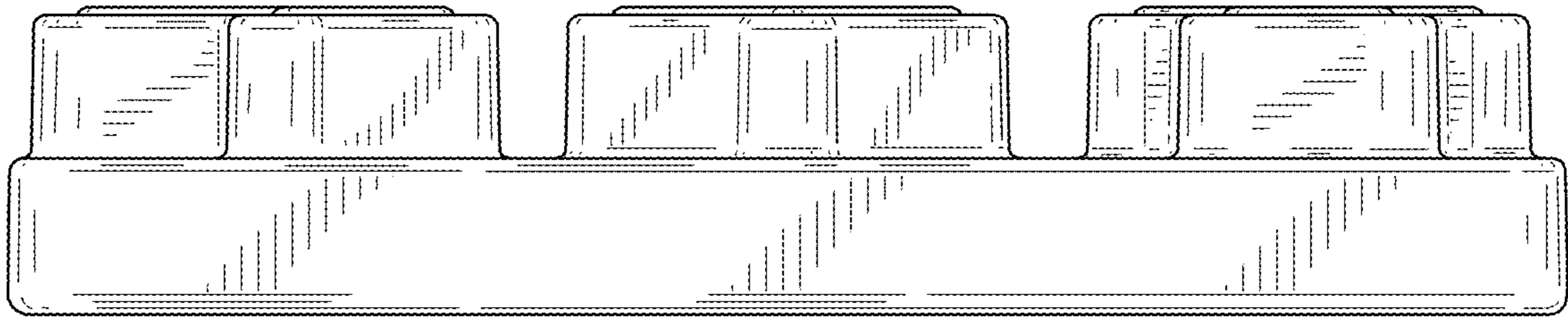


FIG. 46

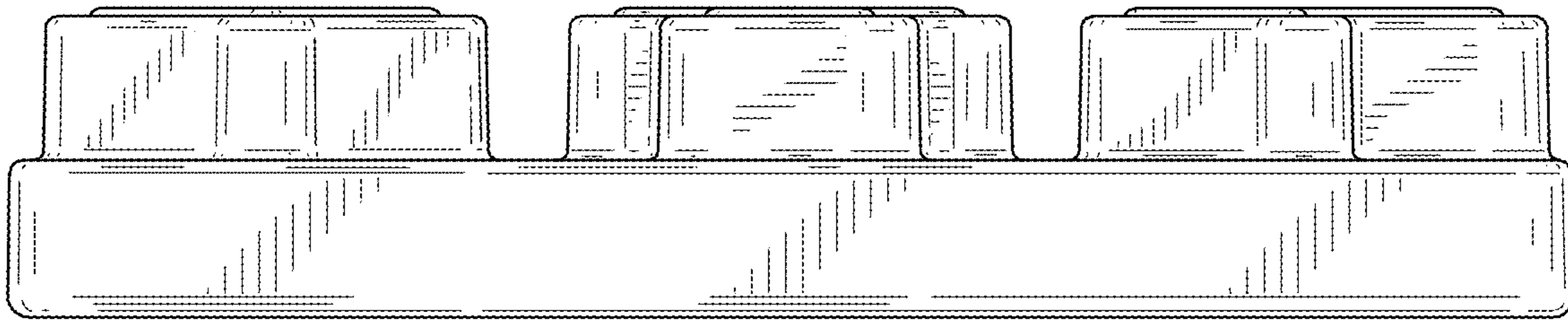


FIG. 47

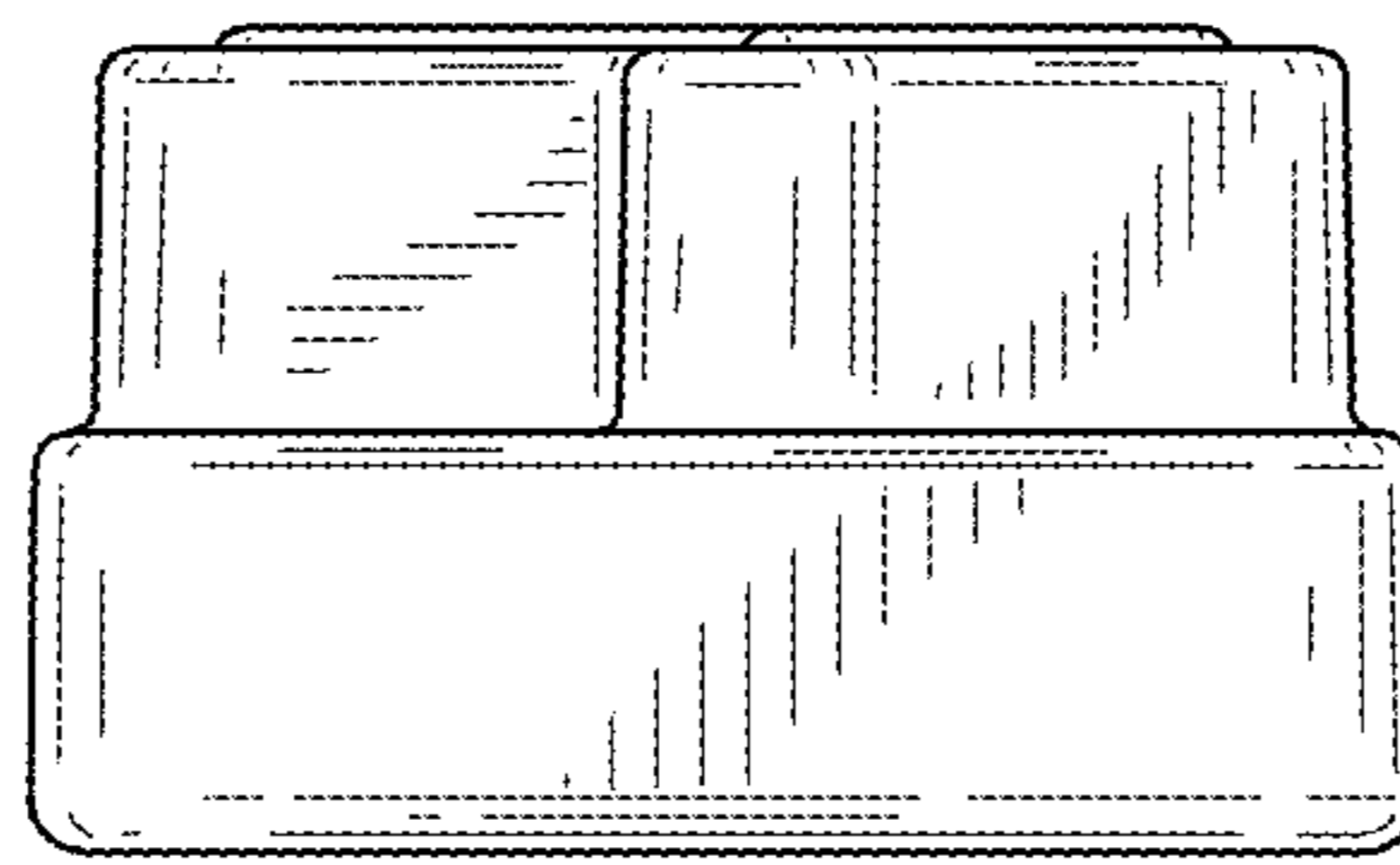


FIG. 48

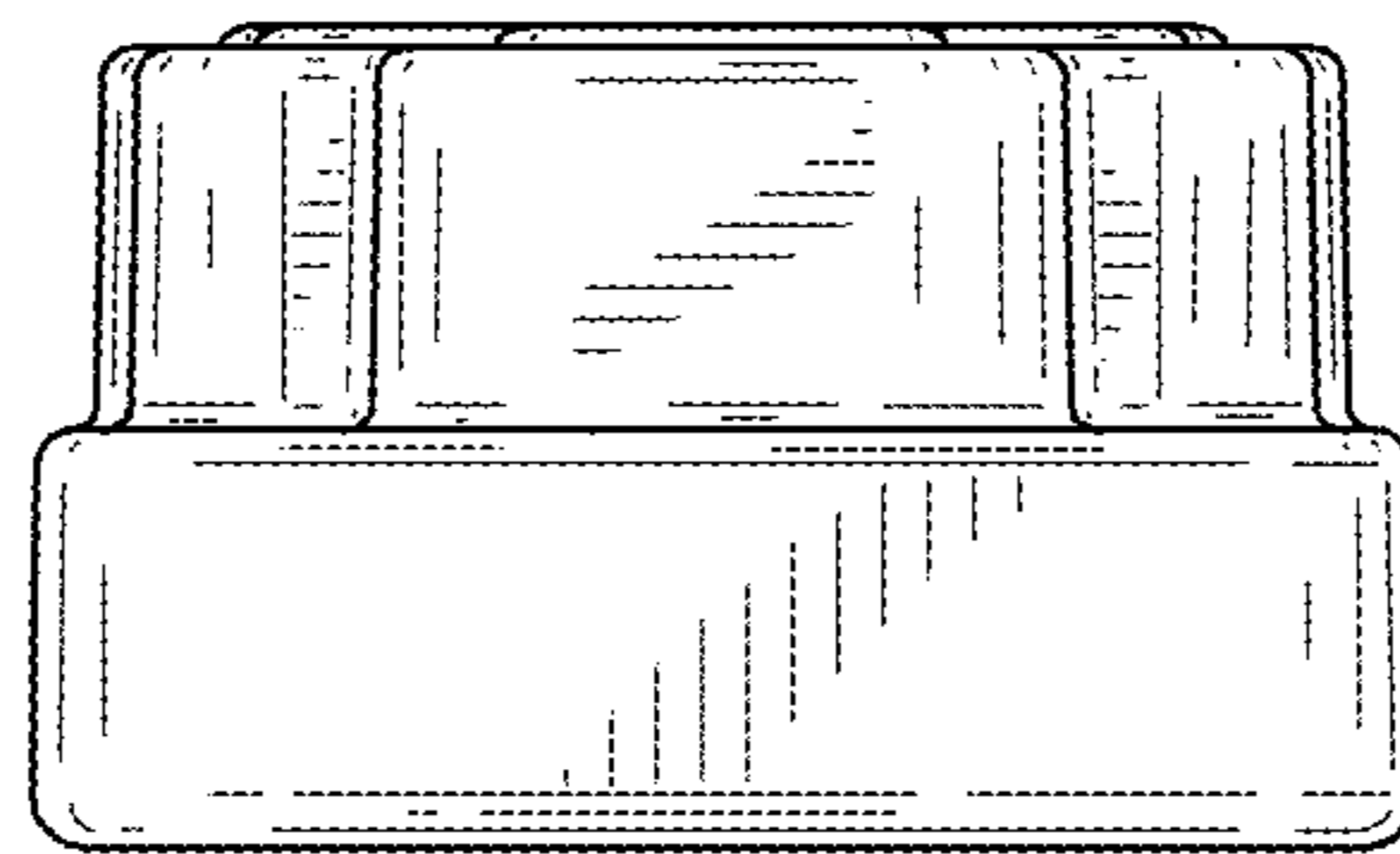


FIG. 49

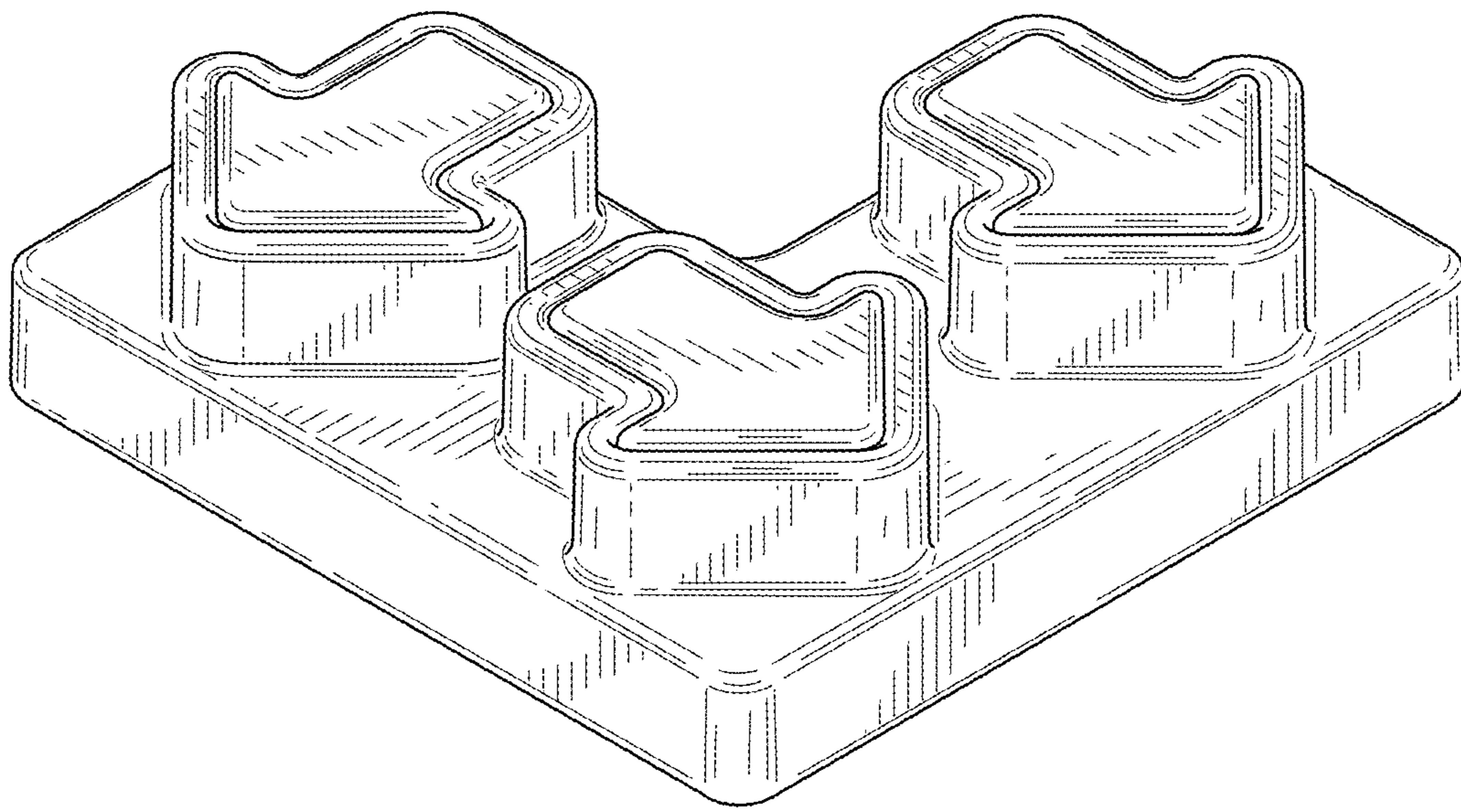


FIG. 50

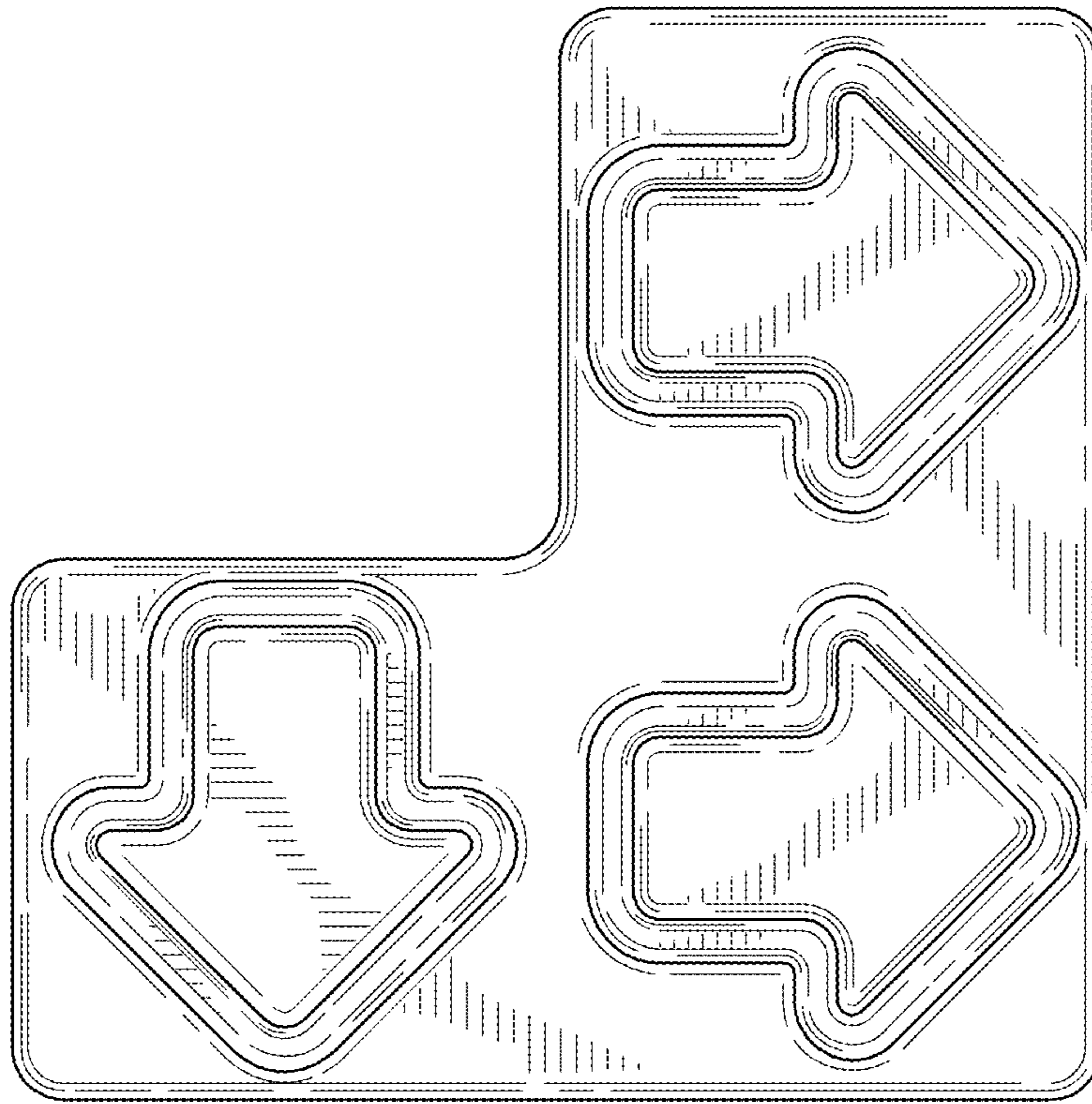


FIG. 51

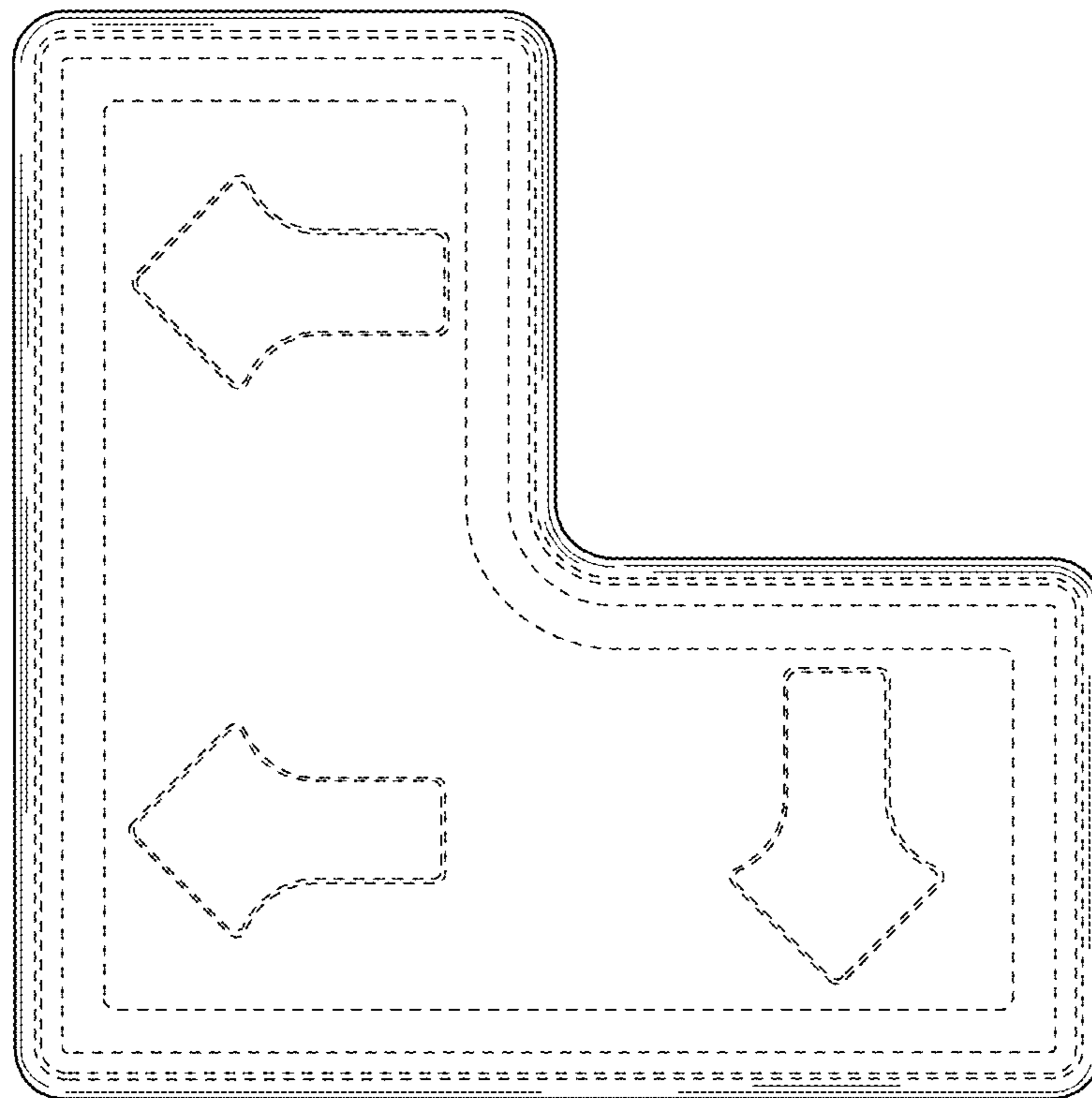


FIG. 52

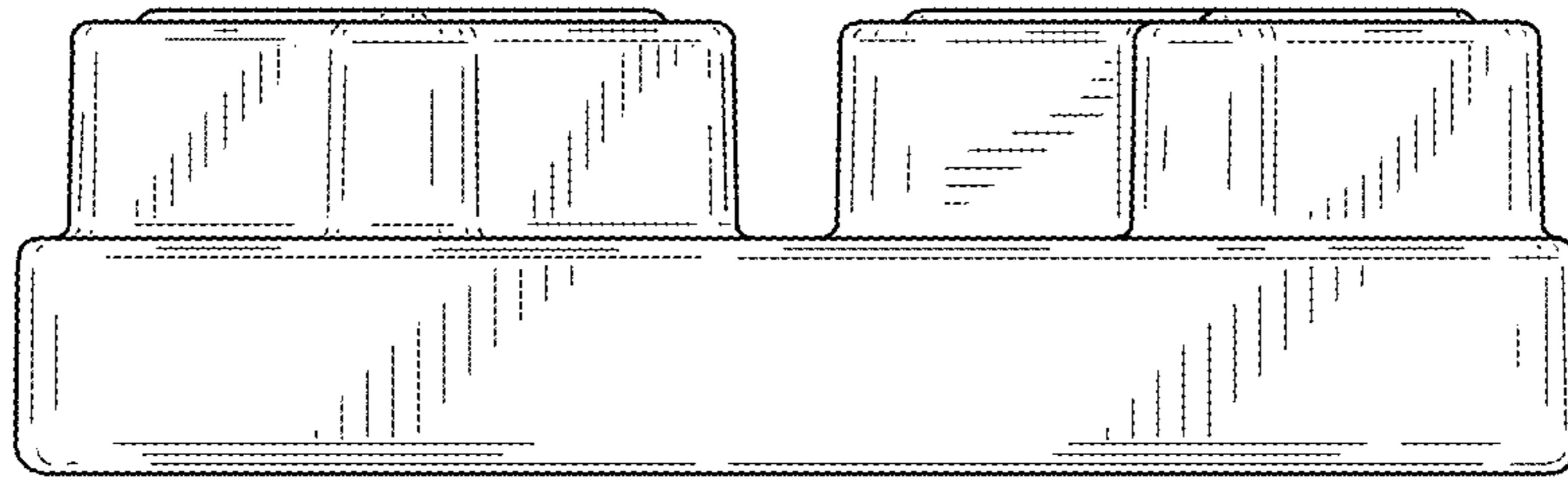


FIG. 53

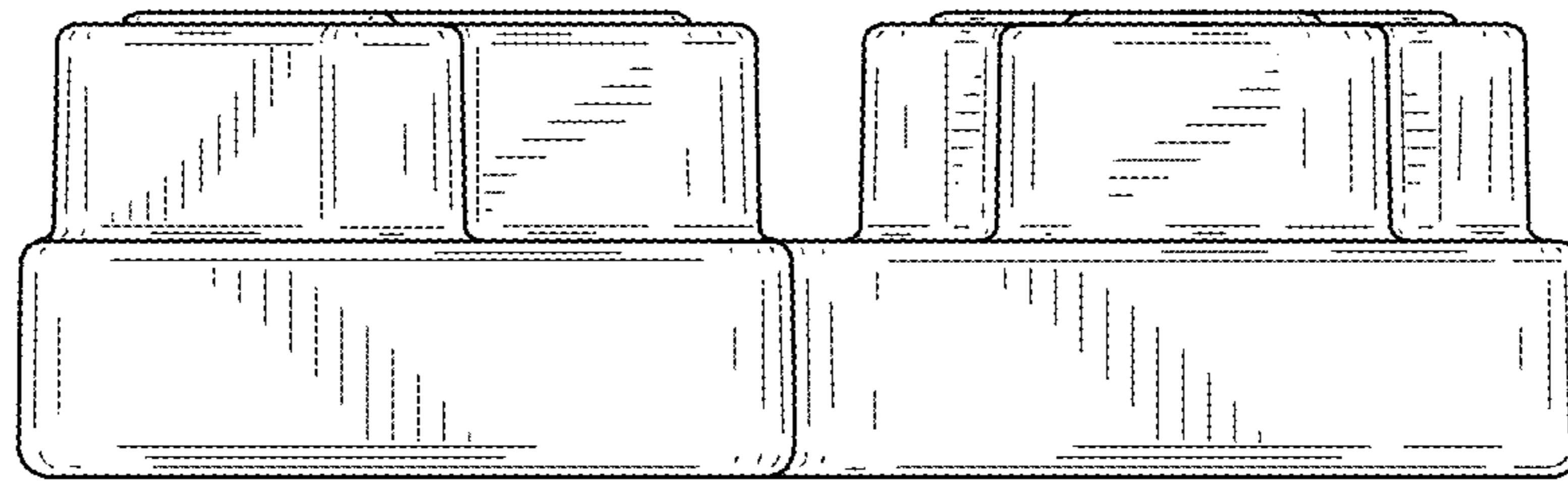


FIG. 54

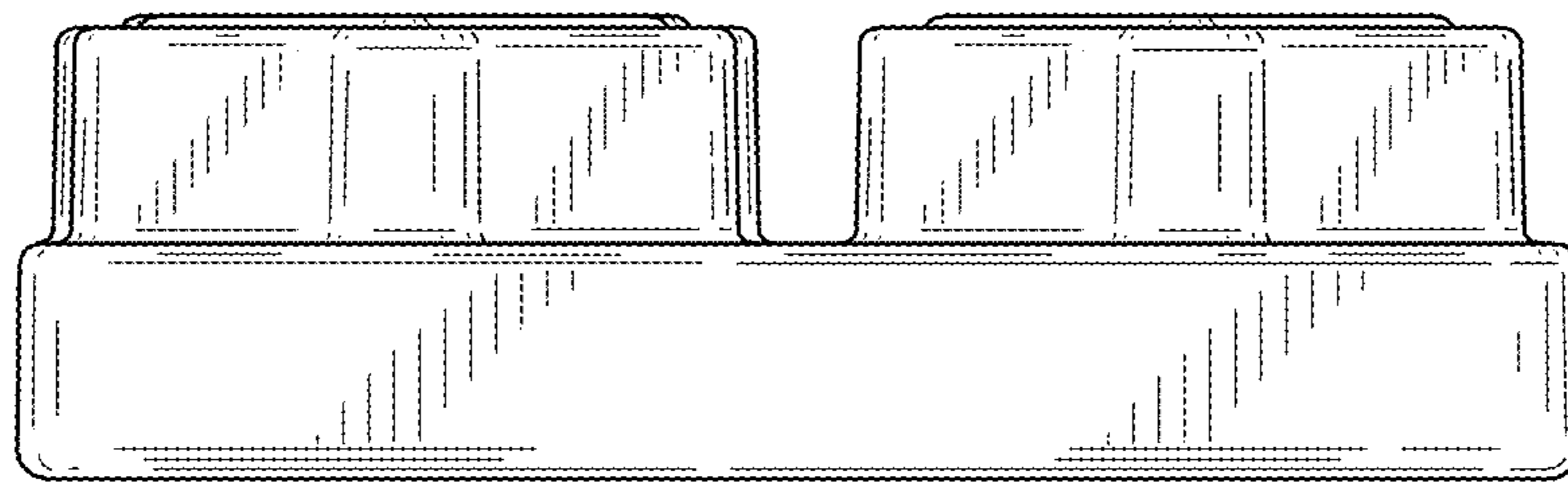


FIG. 55

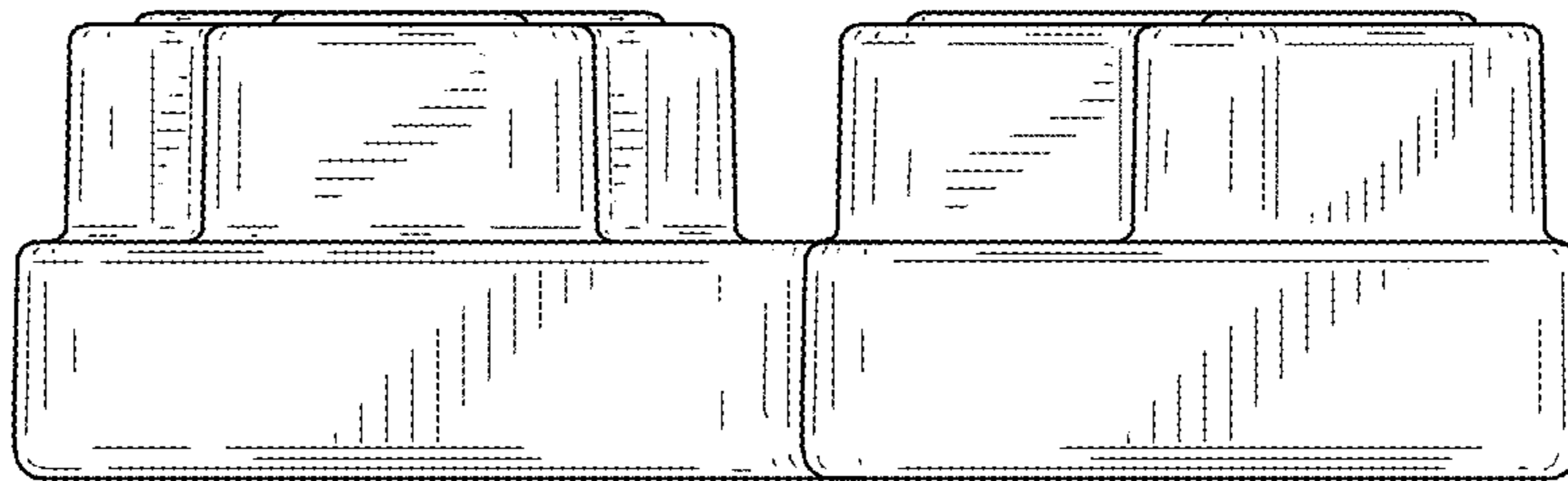


FIG. 56

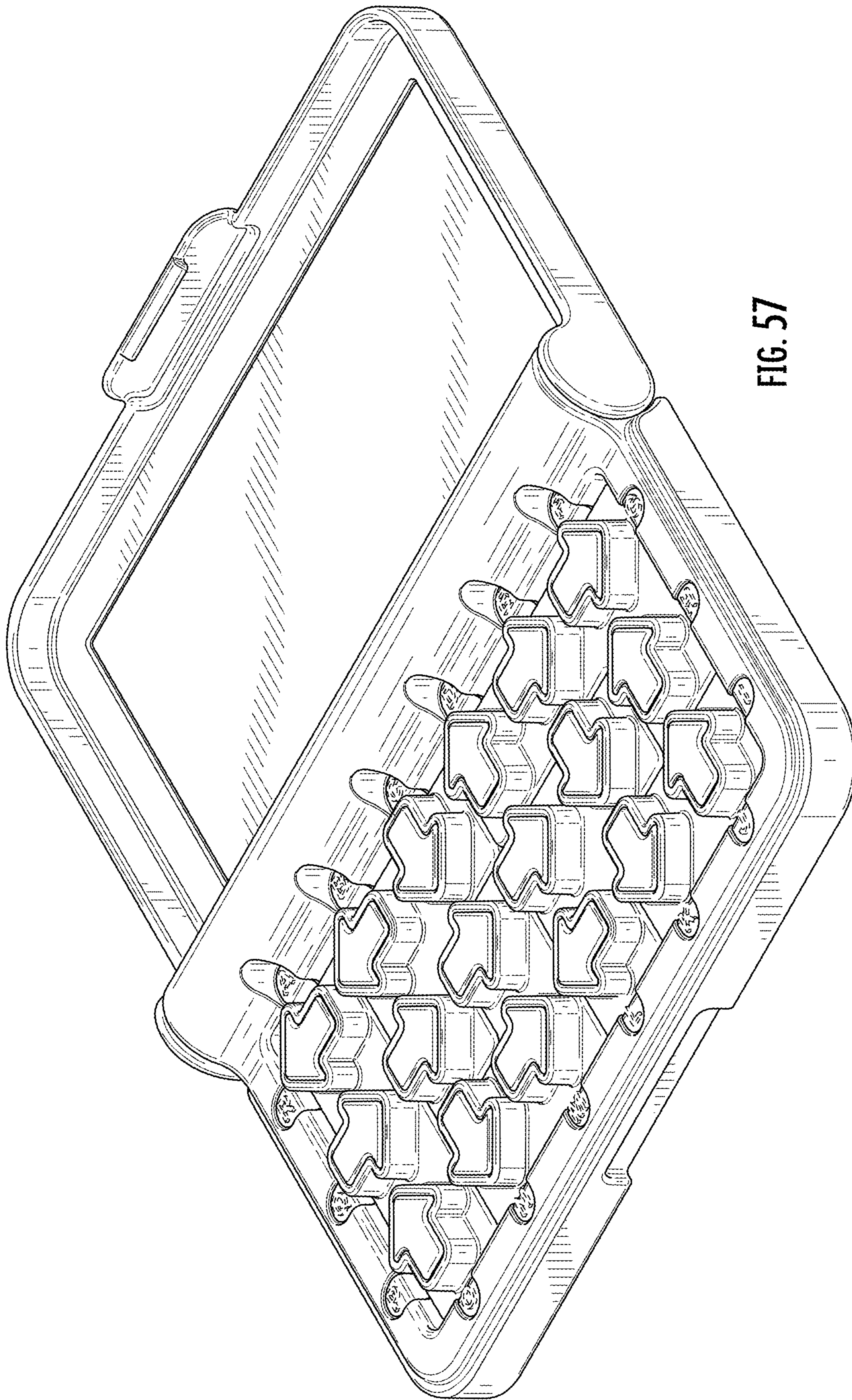


FIG. 57