



US00D960989S

(12) **United States Design Patent** (10) **Patent No.:** **US D960,989 S**  
**Dai** (45) **Date of Patent:** **\*\* Aug. 16, 2022**

(54) **BLUETOOTH EARPHONE**  
(71) Applicant: **SHENZHENSHI ANNSO TECHNOLOGY CO., LTD**, Shenzhen (CN)  
(72) Inventor: **Chunlai Dai**, Shenzhen (CN)  
(\*\*) Term: **15 Years**  
(21) Appl. No.: **29/782,778**  
(22) Filed: **May 10, 2021**

D874,443 S \* 2/2020 Yan ..... D14/223  
D875,719 S \* 2/2020 Wen ..... D14/223  
D880,602 S \* 4/2020 Ehara ..... D21/333  
D889,440 S \* 7/2020 Yan ..... D14/223  
D900,056 S \* 10/2020 Jaques ..... D14/205  
D904,352 S \* 12/2020 Park ..... D14/223  
D908,115 S \* 1/2021 Mei ..... D14/223  
D912,153 S \* 3/2021 Ehara ..... D21/333  
D914,647 S \* 3/2021 Yang ..... D14/223  
D914,652 S \* 3/2021 Chen ..... D14/223  
D917,426 S \* 4/2021 Yang ..... D14/223  
D918,182 S \* 5/2021 Chen ..... D14/223  
D920,291 S \* 5/2021 Hou ..... D14/223  
D924,208 S \* 7/2021 Li ..... D14/223

(Continued)

(30) **Foreign Application Priority Data**

Mar. 12, 2021 (CN) ..... 202130134728.4

(51) **LOC (13) Cl.** ..... **21-01**

(52) **U.S. Cl.**  
USPC ..... **D21/333**

(58) **Field of Classification Search**  
USPC ..... D21/333; D14/205, 206, 207, 217, 221, D14/223, 224, 225; D24/173, 174  
CPC .. H04R 1/1016; H04R 1/1058; H04R 1/1091; H04R 1/10; H04R 1/1066  
See application file for complete search history.

(56) **References Cited**

**U.S. PATENT DOCUMENTS**

D502,171 S \* 2/2005 Tang ..... D14/205  
D533,540 S \* 12/2006 Murray ..... D14/205  
D559,836 S \* 1/2008 Lee ..... D14/223  
D568,876 S \* 5/2008 Tsai ..... D14/223  
D595,272 S \* 6/2009 Kim ..... D14/223  
D597,534 S \* 8/2009 Christopher ..... D14/223  
D604,722 S \* 11/2009 Mistry ..... D14/223  
D616,873 S 6/2010 Olivier  
D623,629 S 9/2010 Lau  
D768,785 S \* 10/2016 Kim ..... D21/333  
D801,950 S \* 11/2017 Otani ..... D14/223  
D818,990 S \* 5/2018 Tzeng ..... D14/205  
D864,919 S \* 10/2019 Bonahoom ..... D14/223

**OTHER PUBLICATIONS**

“Toorun M26 Bluetooth; earpiece”, posted Jul. 29, 2016 [Online], [retrieved Jan. 10, 2022]. Retrieved from Internet: <https://amzn.to/3f5zuSZ>.\*

*Primary Examiner* — Mehri F Bajoul

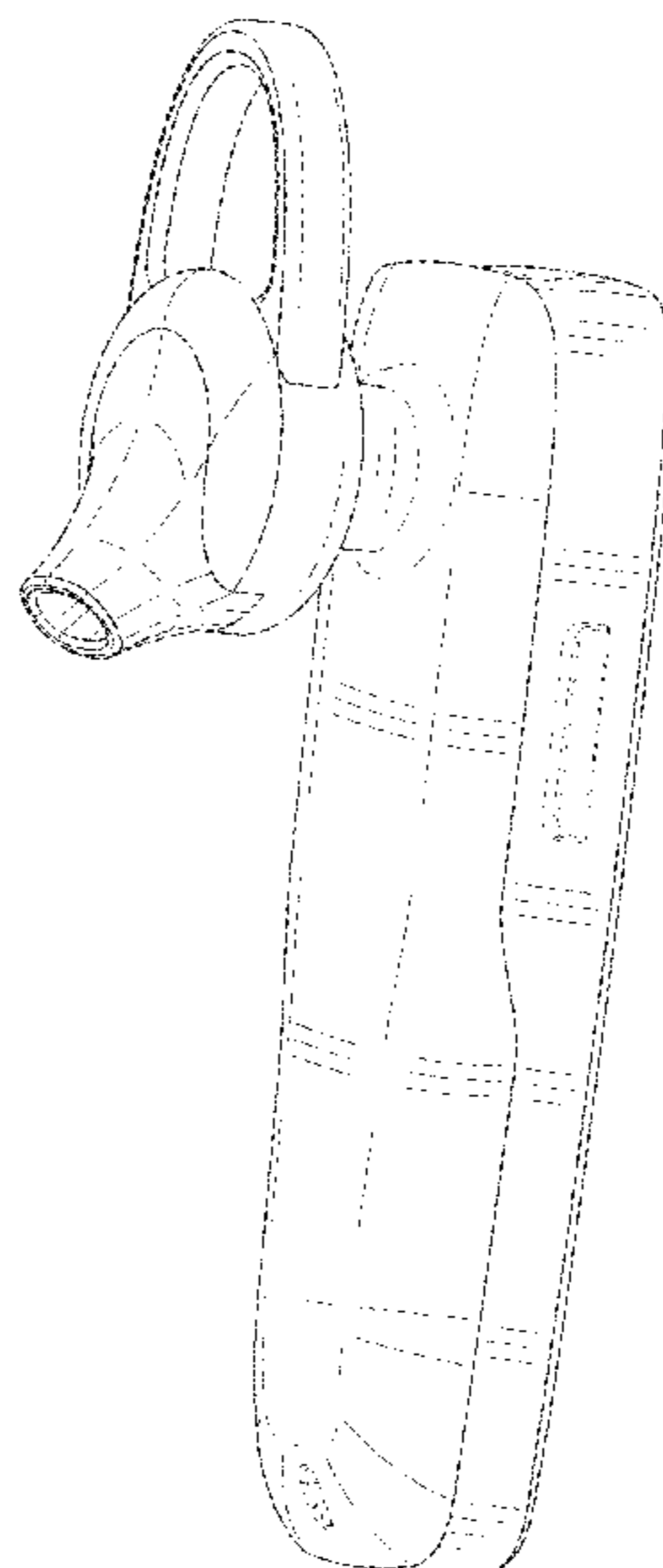
(57) **CLAIM**

The ornamental design for an Bluetooth earphone, as shown and described.

**DESCRIPTION**

FIG. 1 is a perspective view of a Bluetooth earphone showing my new design;  
FIG. 2 is another perspective view thereof;  
FIG. 3 is a front view thereof;  
FIG. 4 is a back view thereof;  
FIG. 5 is a left side view thereof;  
FIG. 6 is a right side view thereof;  
FIG. 7 is a top plan view thereof; and,  
FIG. 8 is a bottom plan view thereof.  
The broken lines in the drawings depict portions of the Bluetooth earphone that form no part of the claimed design.

**1 Claim, 8 Drawing Sheets**



(56)

**References Cited**

U.S. PATENT DOCUMENTS

D925,494 S \* 7/2021 Zhang ..... D14/223  
D926,732 S \* 8/2021 Ai ..... D14/223  
D929,372 S \* 8/2021 Zhong ..... D14/223  
D929,373 S \* 8/2021 Cai ..... D14/223  
D930,618 S \* 9/2021 Lindenberger ..... D14/223  
D936,036 S \* 11/2021 Jaques ..... D14/205  
D936,636 S \* 11/2021 Lin ..... D14/223  
2009/0116678 A1\* 5/2009 Bevirt ..... H04M 1/05  
381/381  
2011/0176699 A1\* 7/2011 Lin ..... H04R 1/1016  
381/374  
2018/0146280 A1\* 5/2018 Tang ..... H04R 9/06

\* cited by examiner

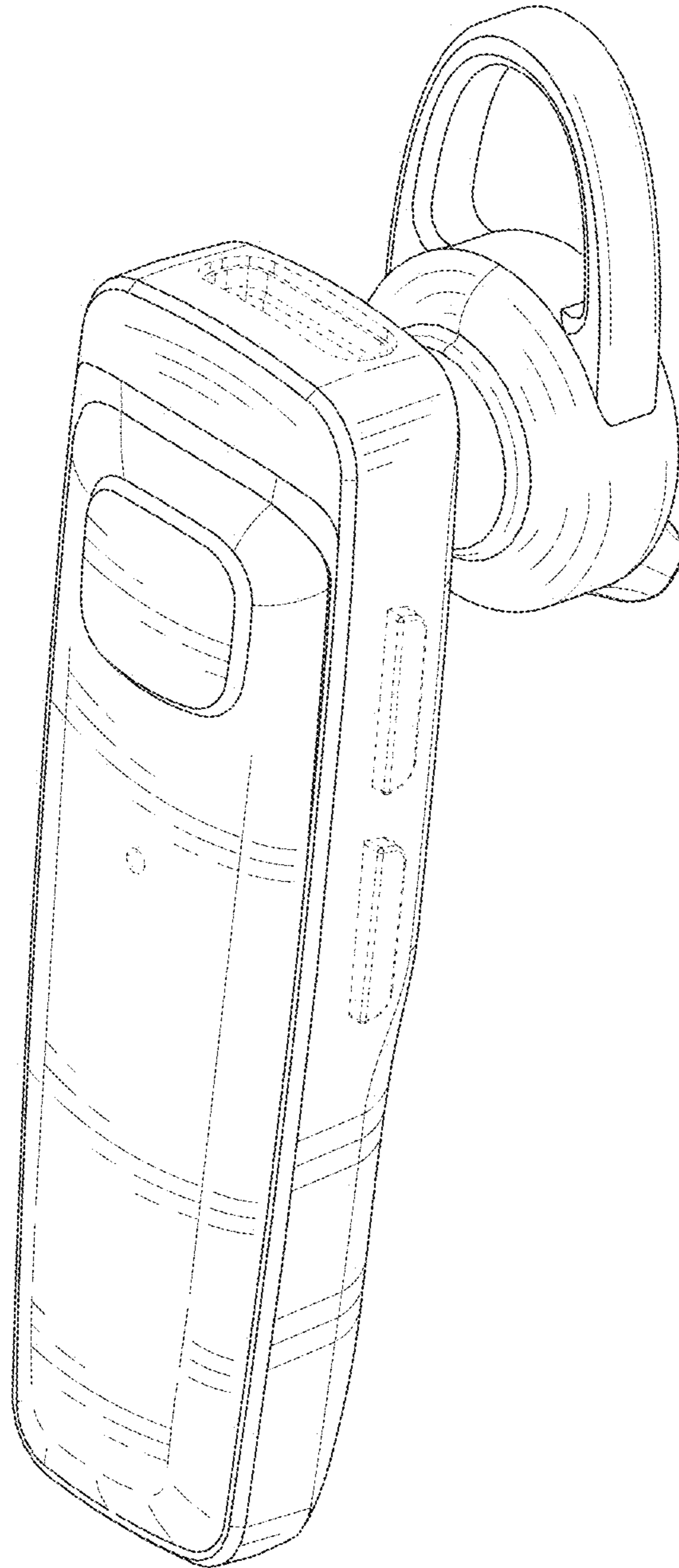


FIG. 1

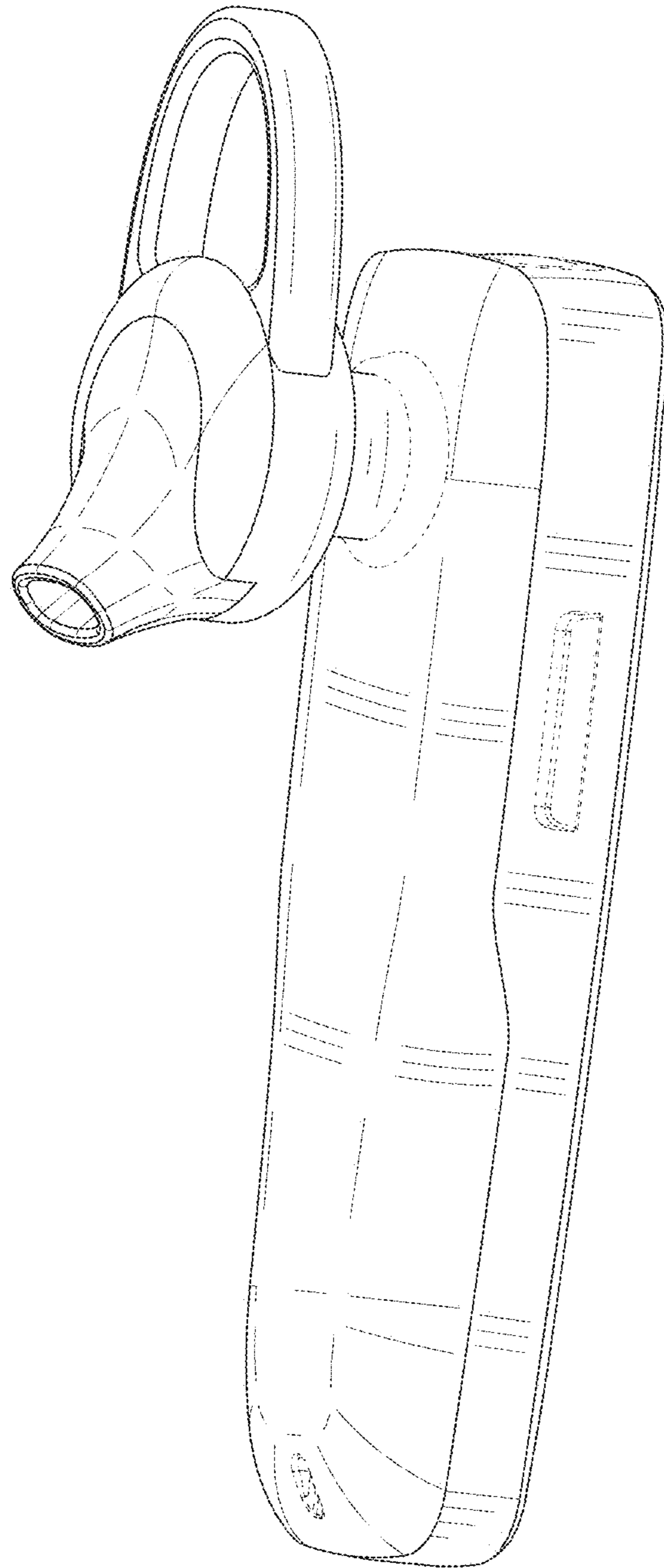


FIG. 2

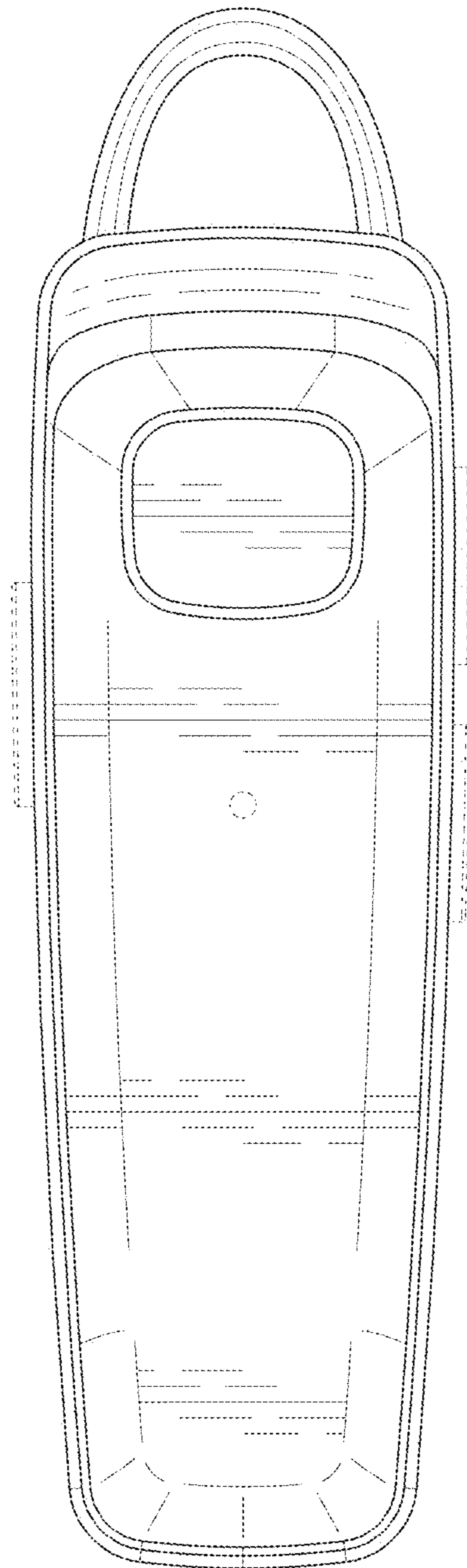


FIG. 3

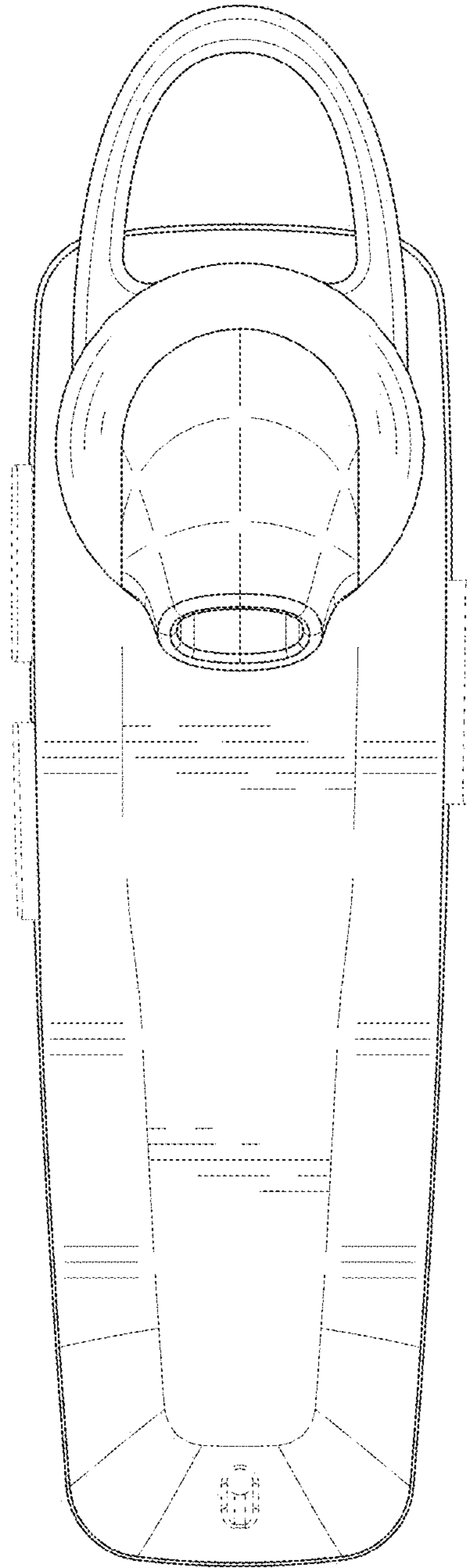


FIG. 4

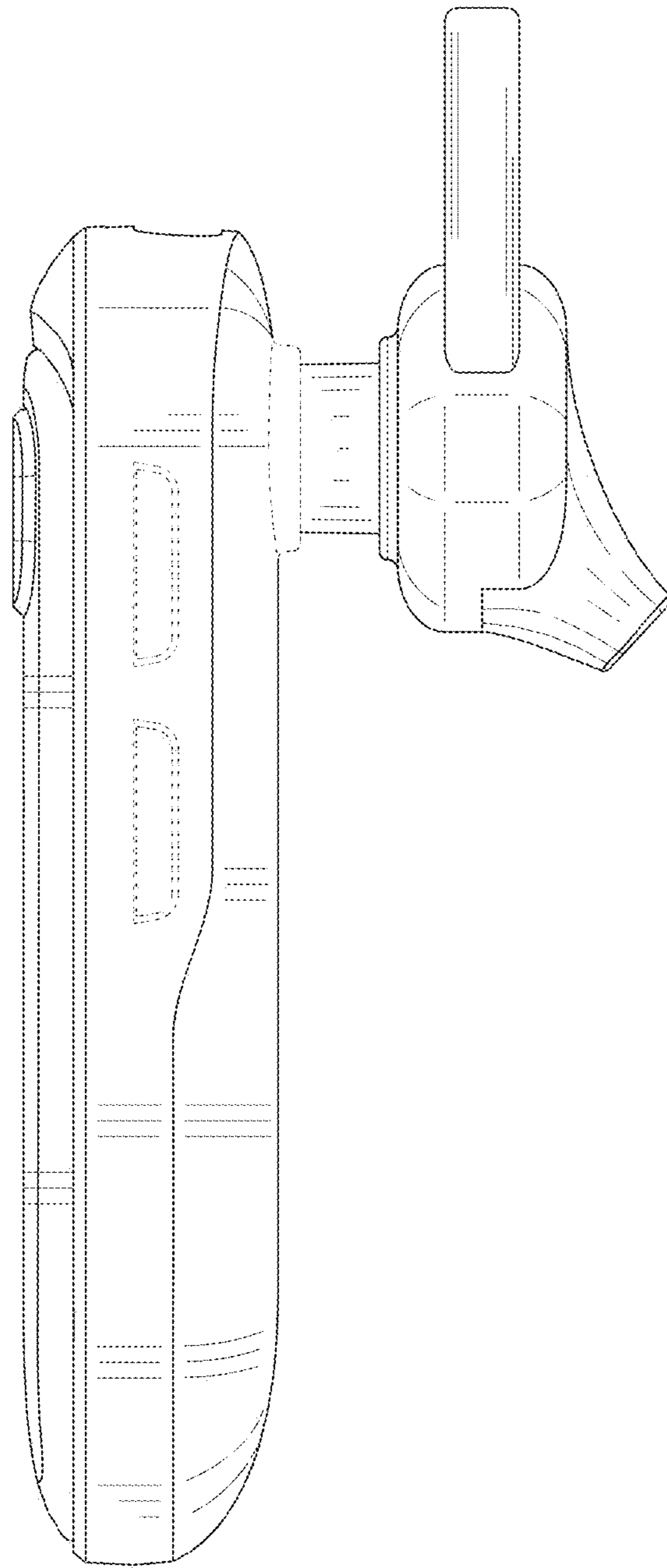


FIG. 5

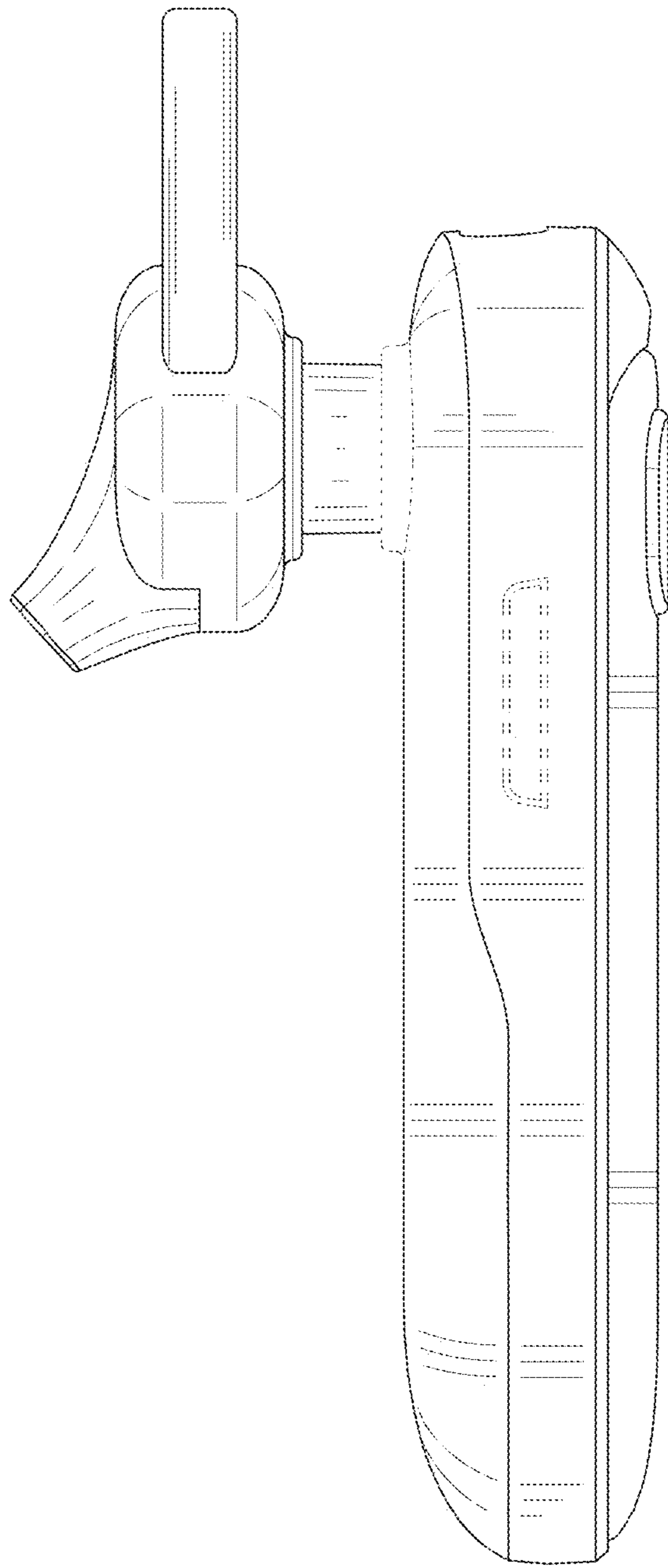


FIG. 6



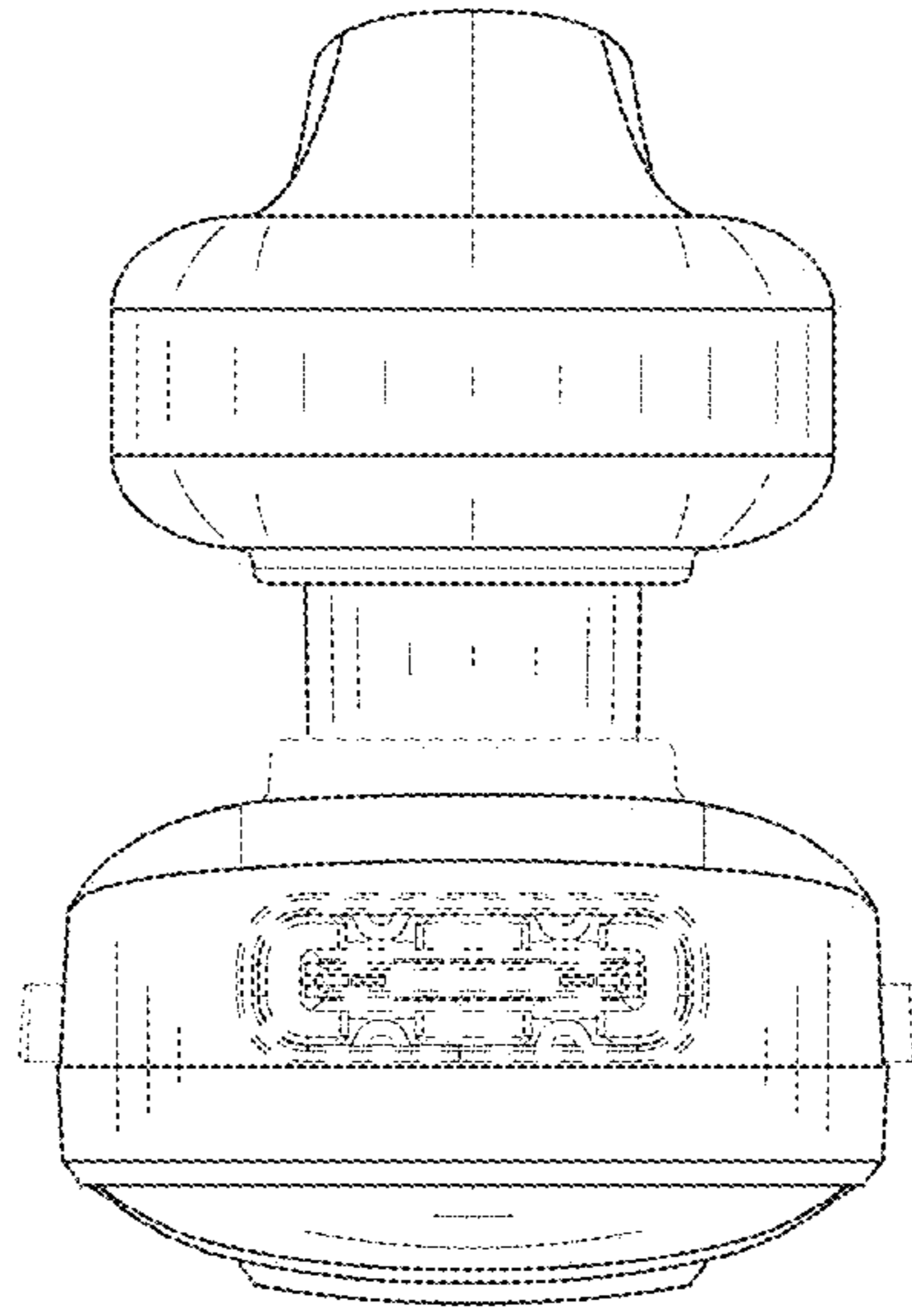


FIG. 7

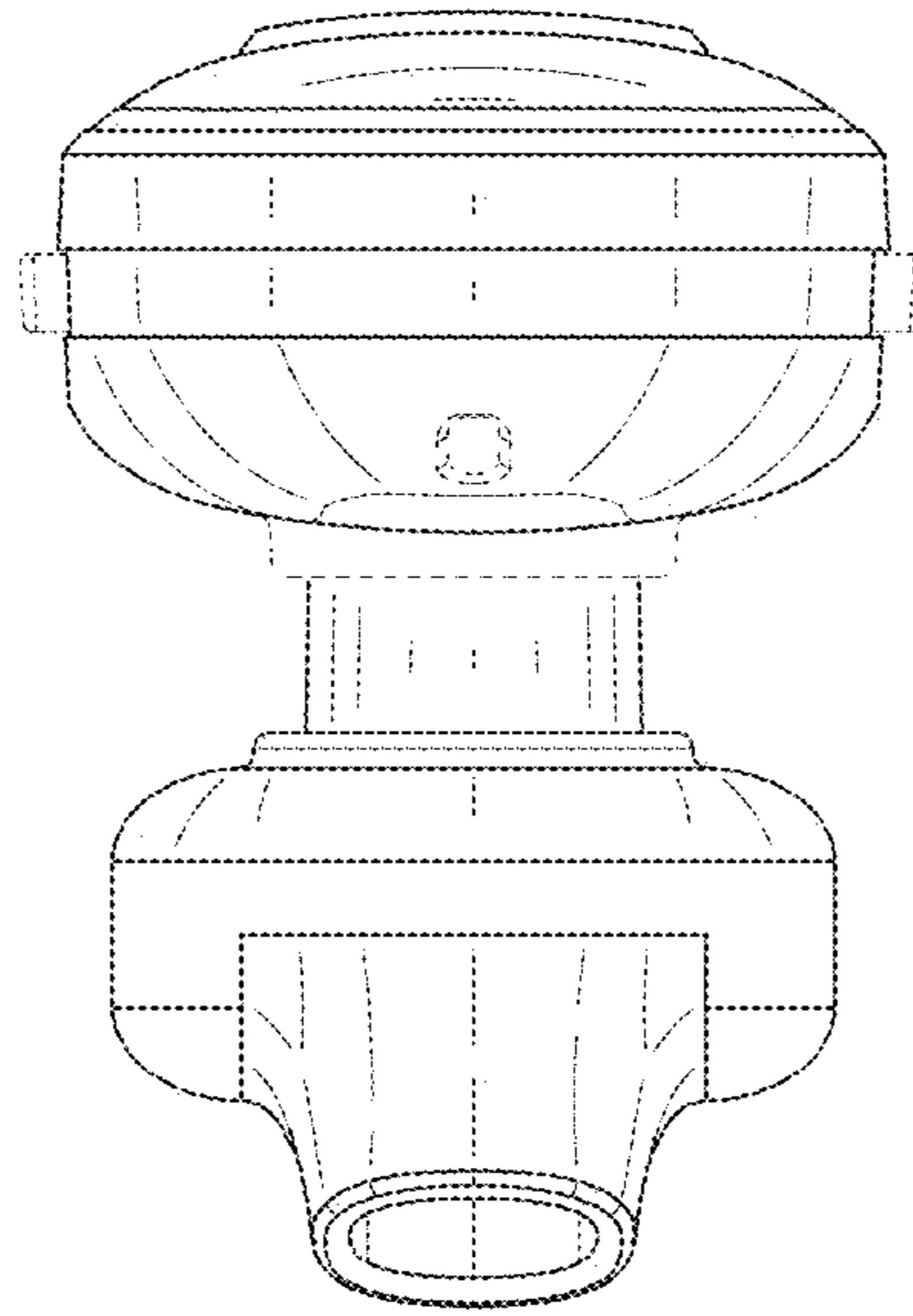


FIG. 8