

US00D960988S

(12) **United States Design Patent**
Tang

(10) **Patent No.:** **US D960,988 S**

(45) **Date of Patent:** **** Aug. 16, 2022**

(54) **GAME PAD**

(71) Applicant: **Shenzhen Targetever Technology Co., Ltd, ShenZhen (CN)**

(72) Inventor: **XianCheng Tang, ShenZhen (CN)**

(**) Term: **15 Years**

(21) Appl. No.: **29/769,458**

(22) Filed: **Feb. 5, 2021**

(51) **LOC (13) Cl.** **21-01**

(52) **U.S. Cl.**

USPC **D21/333**

(58) **Field of Classification Search**

USPC D21/324, 332-337, 566, 572-574, 328;
D14/217, 218, 356, 387, 388, 389, 400,
D14/401, 415, 418, 426-431, 443, 447,
D14/449, 450, 454, 455, 471, 474, 483,
D14/496, 511; D13/164, 168

CPC .. A63F 9/02; A63F 9/24; A63F 9/0291; A63F
9/0252; A63F 13/00; A63F 13/23; A63F
13/24; A63F 13/26; A63F 13/98; A63F
13/02; A63F 13/12; A63F 9/00; A63F
2300/00; A63F 2300/1031

See application file for complete search history.

(56) **References Cited**

U.S. PATENT DOCUMENTS

D609,706 S *	2/2010	Helt, III	D14/426
D706,874 S *	6/2014	Ngoy	D21/333
D712,970 S *	9/2014	Biheller	D21/333
D875,180 S *	2/2020	Wang	D21/333
D884,796 S *	5/2020	Zhou	D14/401
D901,018 S *	11/2020	Swen	D24/185
D908,800 S *	1/2021	Tang	D21/333
D912,155 S *	3/2021	Yang	D21/333
D924,977 S *	7/2021	Saito	D21/333

D928,235 S *	8/2021	Paterson	D21/333
D928,880 S *	8/2021	Yu	D21/333
D928,883 S *	8/2021	Zhou	D21/333
D928,884 S *	8/2021	Zhou	D21/333
D935,460 S *	11/2021	Zhu	D14/401
D946,658 S *	3/2022	Feng	D21/332

OTHER PUBLICATIONS

“Cartoon Design Bluetooth Game Controller” posted date unavailable[Online],[retrieved Apr. 7, 2022]. Retrieved from Internet: <https://www.globalsources.com/Joyypad/Joycon-1183802760p.htm>.*

* cited by examiner

Primary Examiner — Mehri F Bajoul

(57) **CLAIM**

The ornamental design for a game pad, as shown and described.

DESCRIPTION

FIG. 1 is a front and top perspective view of a game pad, showing, my new design;
FIG. 2 is a rear and bottom perspective view thereof;
FIG. 3 is a front elevation view thereof;
FIG. 4 is a rear elevation view thereof;
FIG. 5 is a left side elevation view thereof;
FIG. 6 is a right side elevation view thereof;
FIG. 7 is a top plan view thereof;
FIG. 8 is a bottom plan view thereof; and,
FIG. 9 is an enlarged view of a portion labeled, ‘FIG. 9’ in FIG. 1.

The even dash-dash broken lines in the figures illustrate portions of the game pad that form no part of the claimed design. The long-short dash broken lines in FIGS. 1 and 9 are for the purpose of depicting the bounds of the enlarged portion and form no part of the claim.

1 Claim, 9 Drawing Sheets

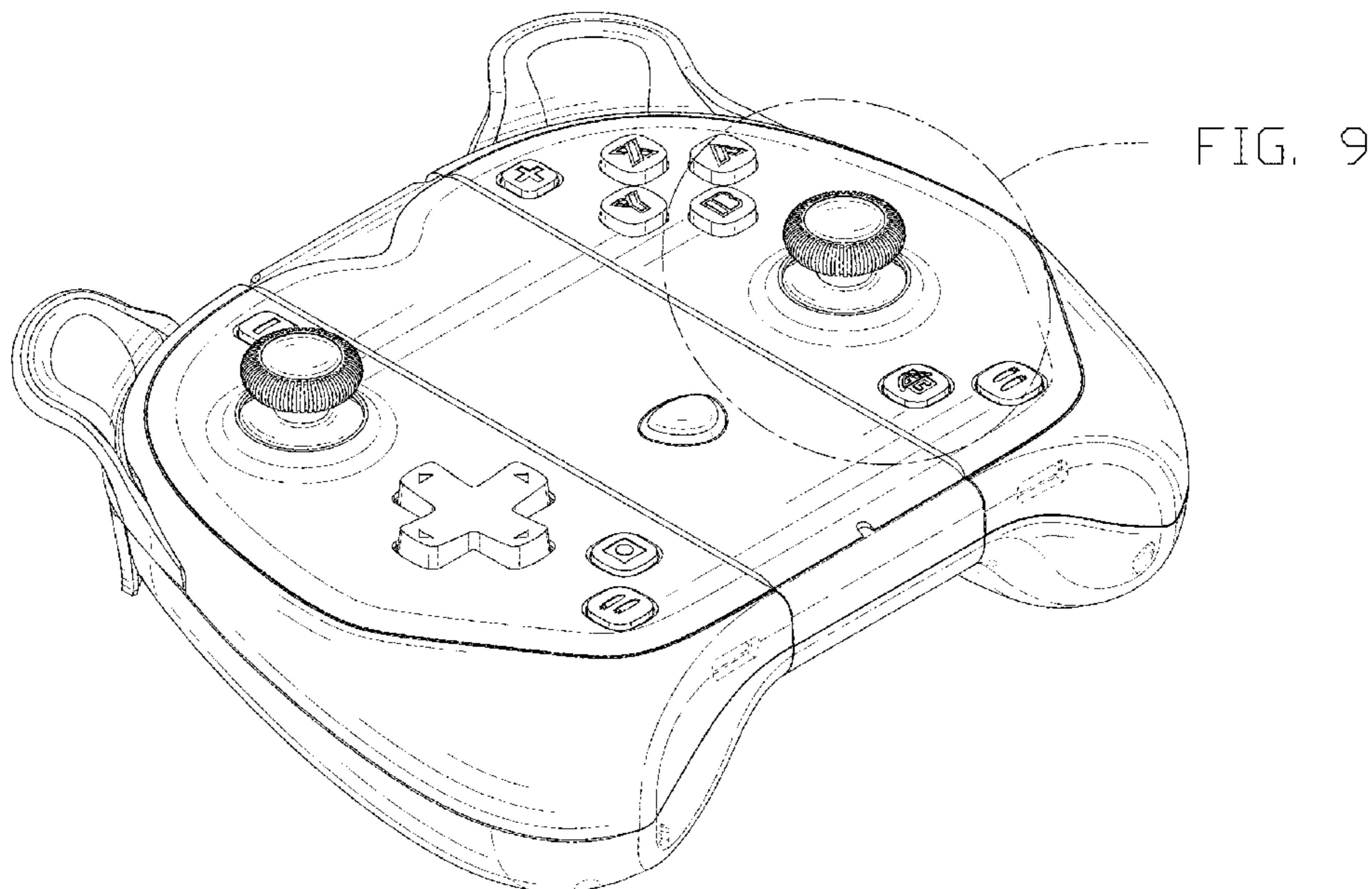


FIG. 9

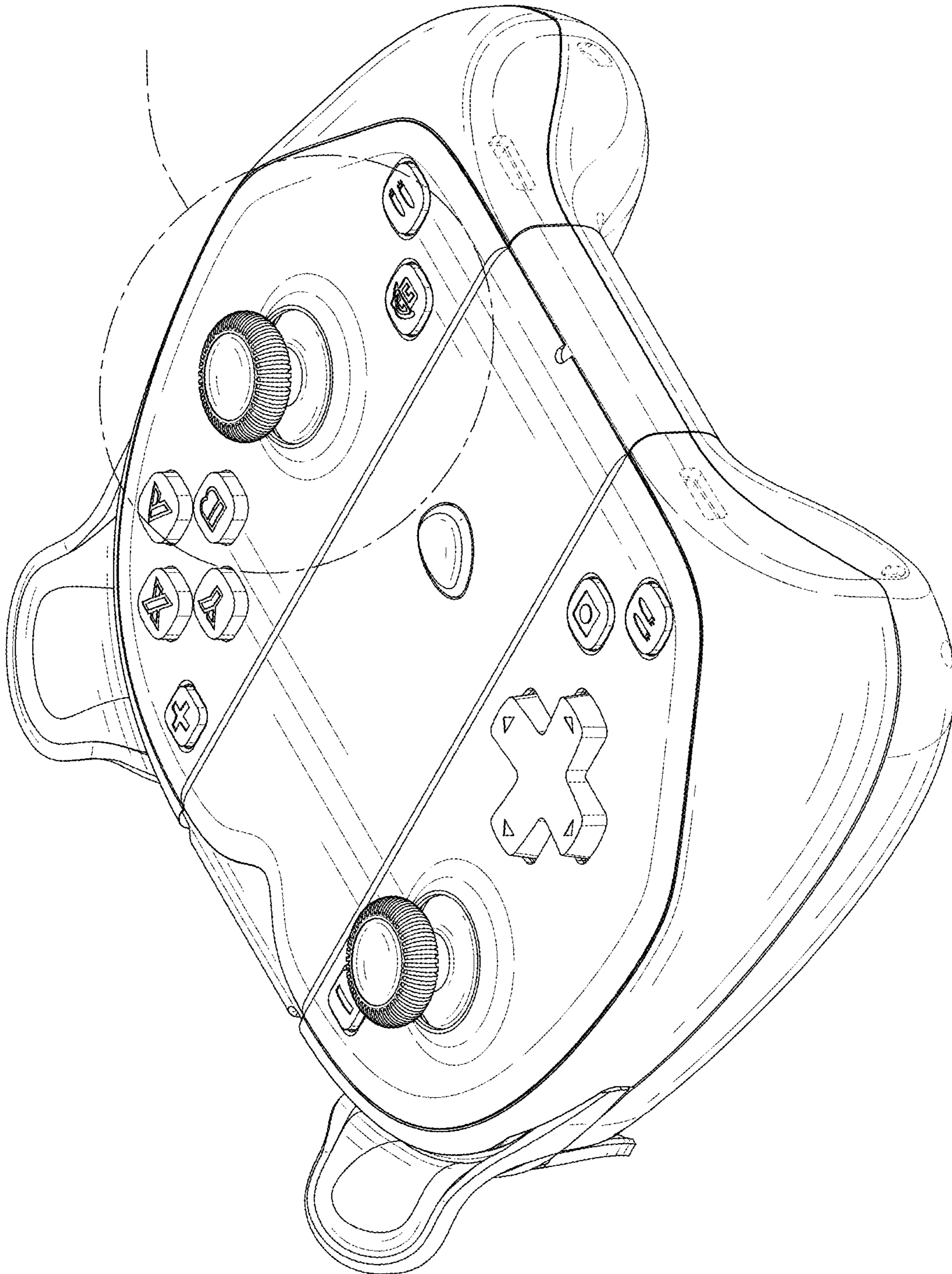


FIG. 1

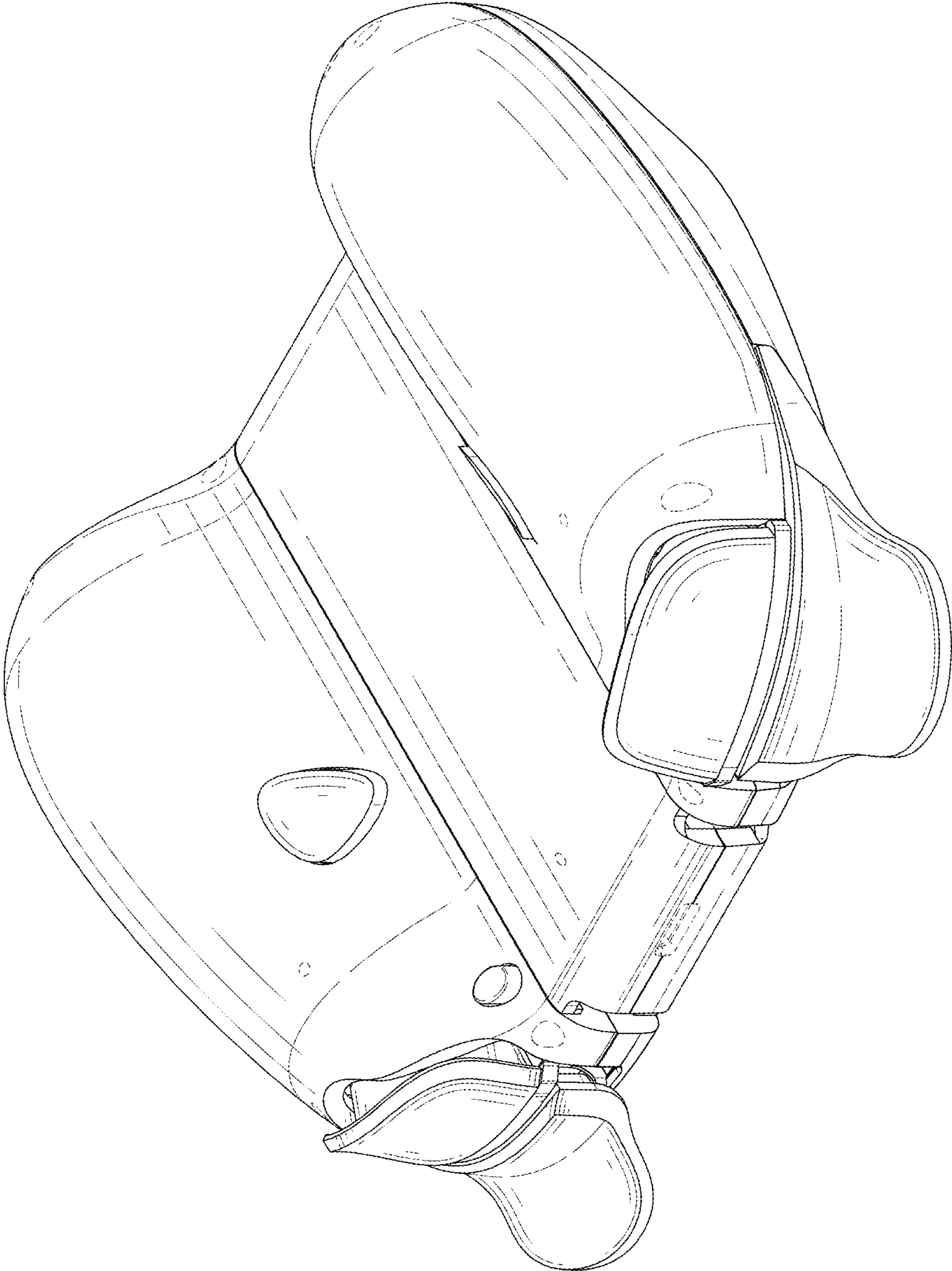


FIG. 2

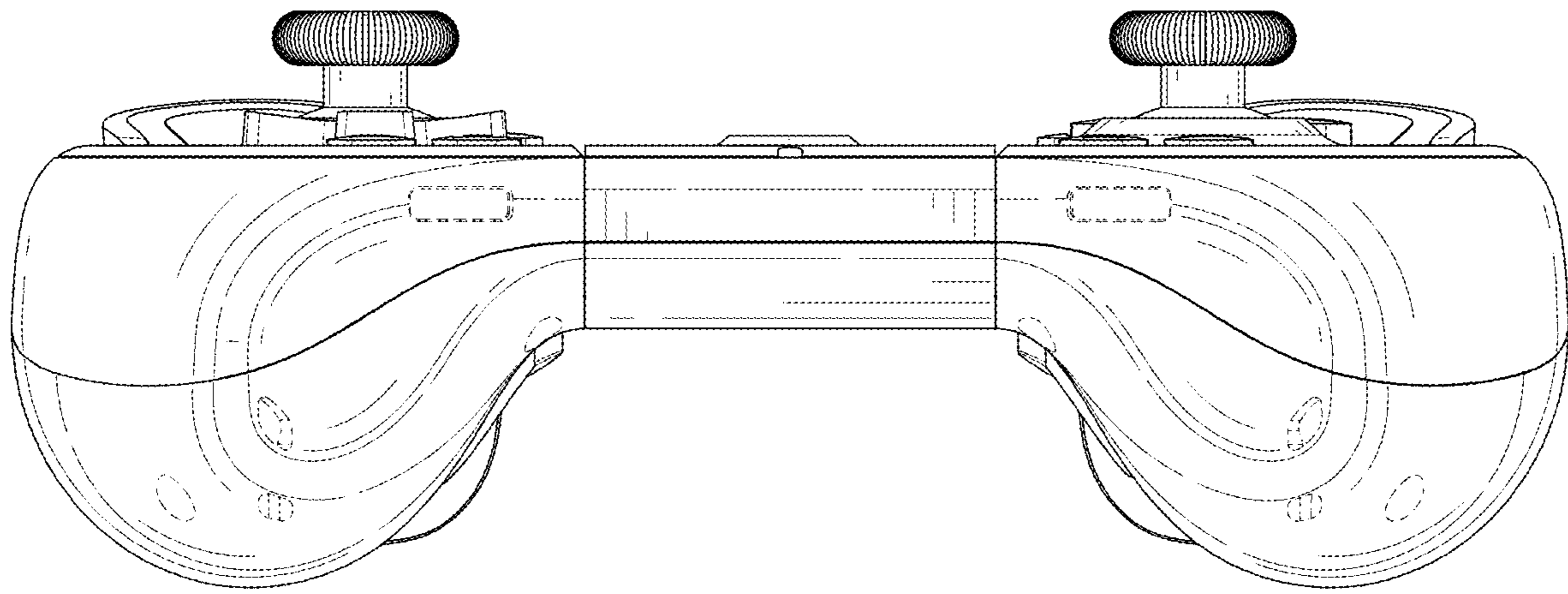


FIG. 3

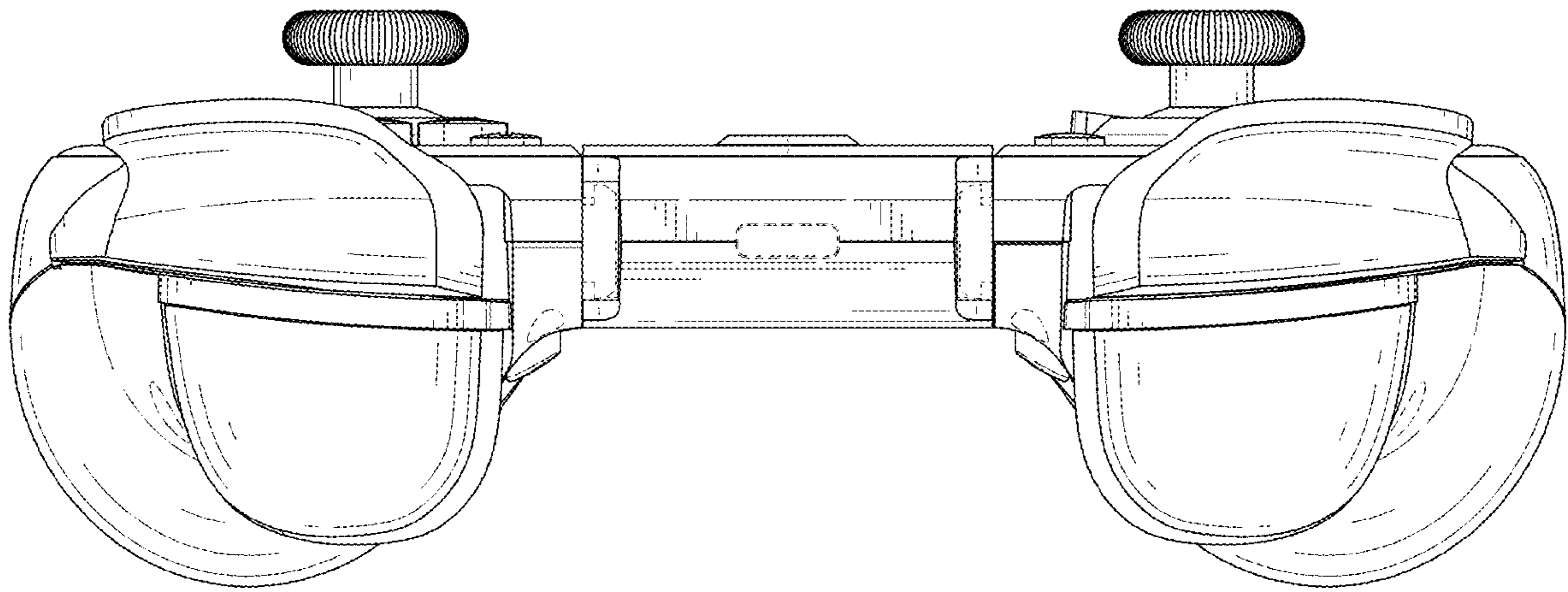


FIG. 4

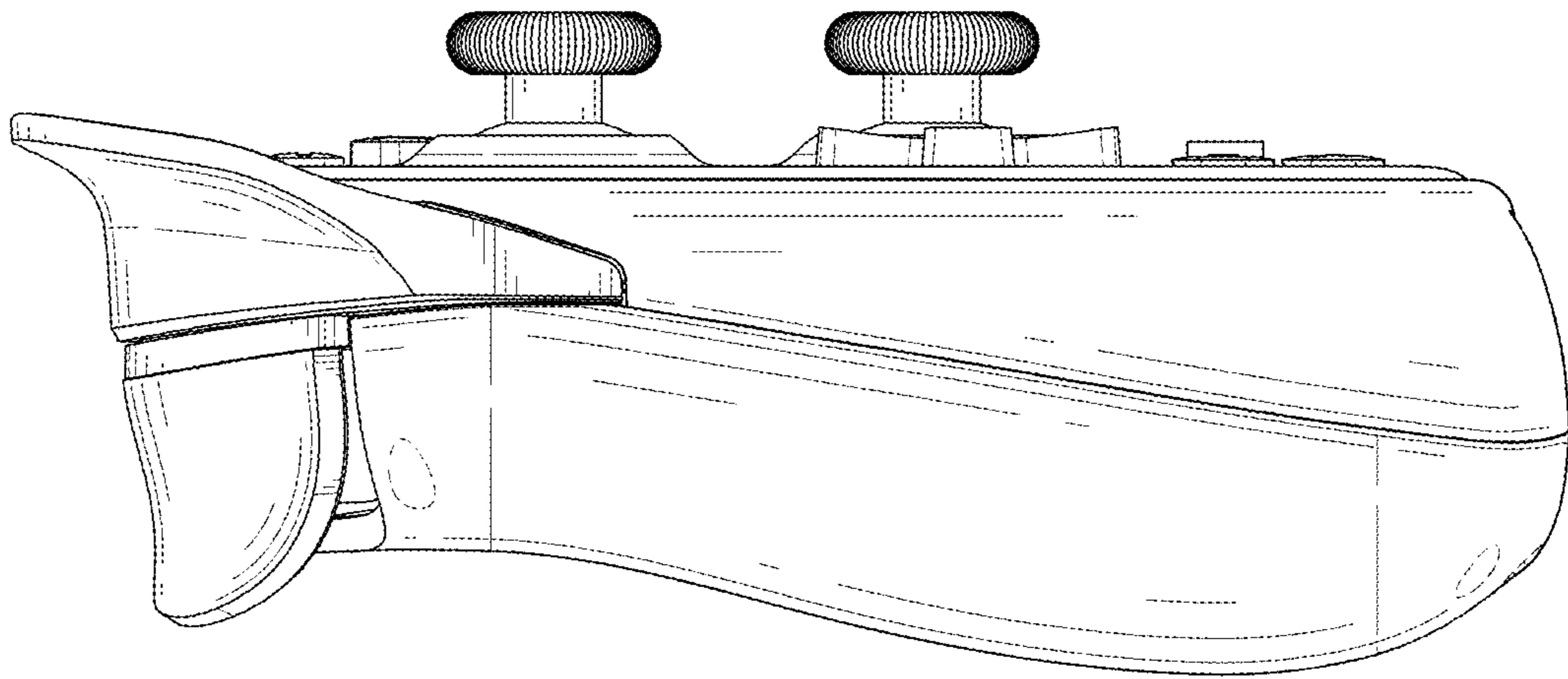


FIG. 5

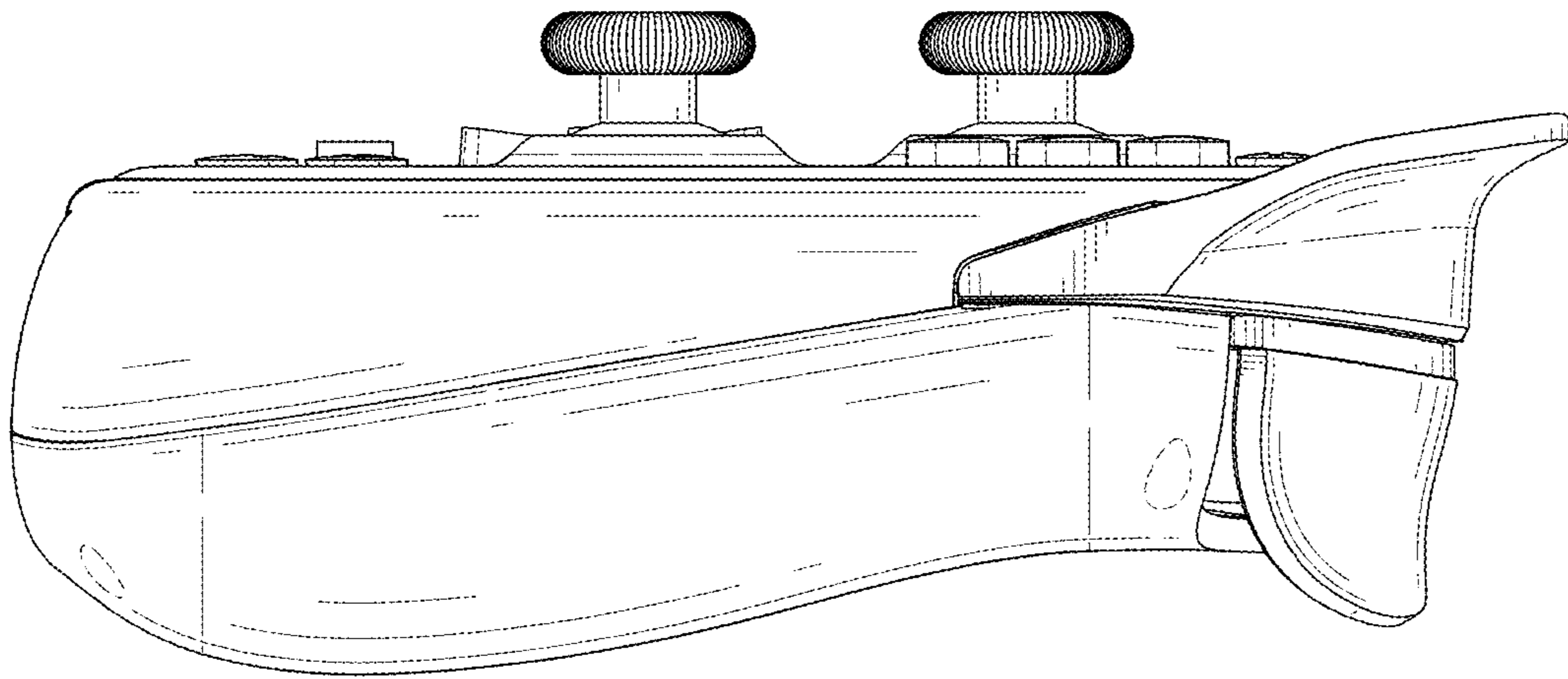


FIG. 6

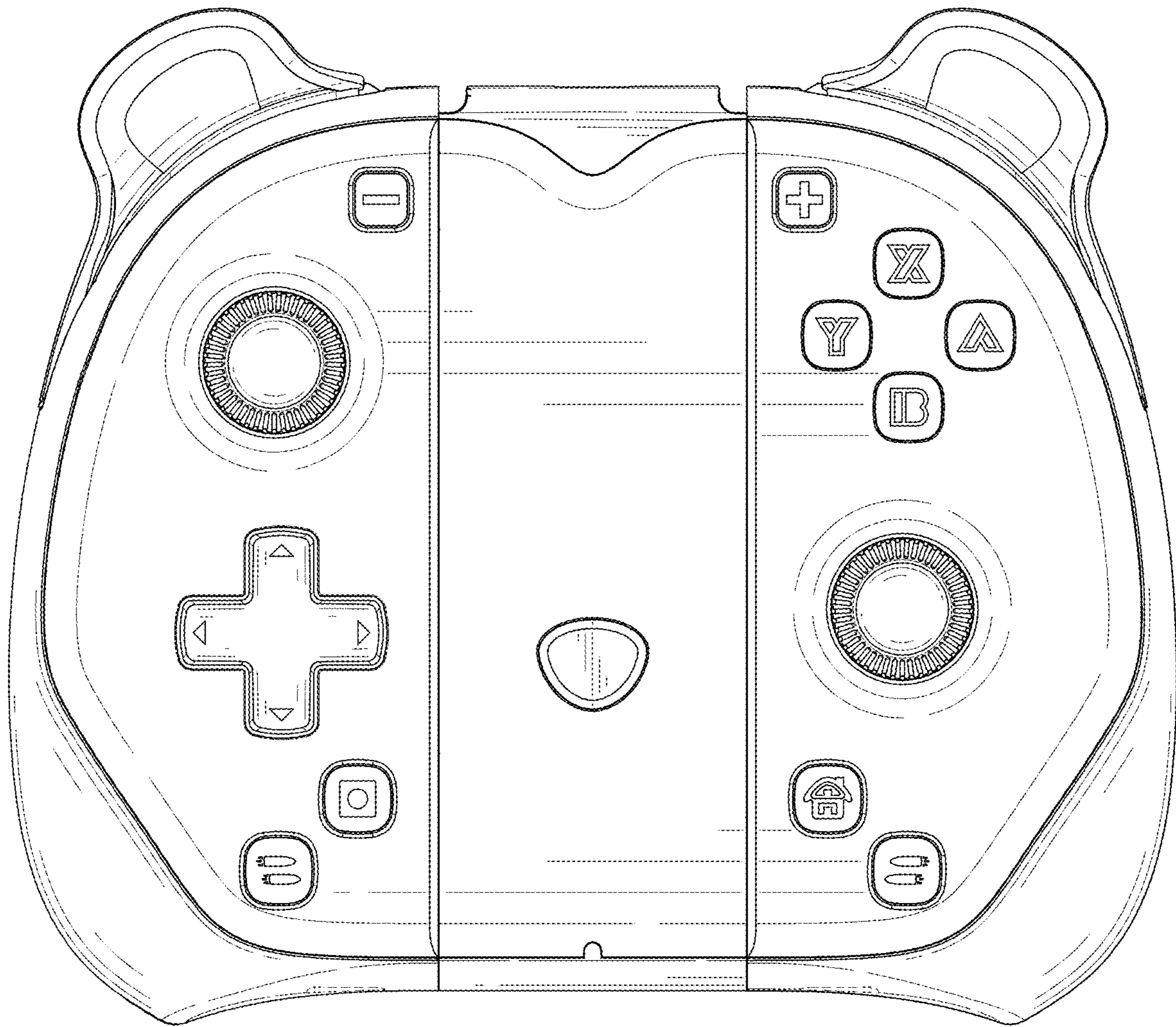


FIG. 7

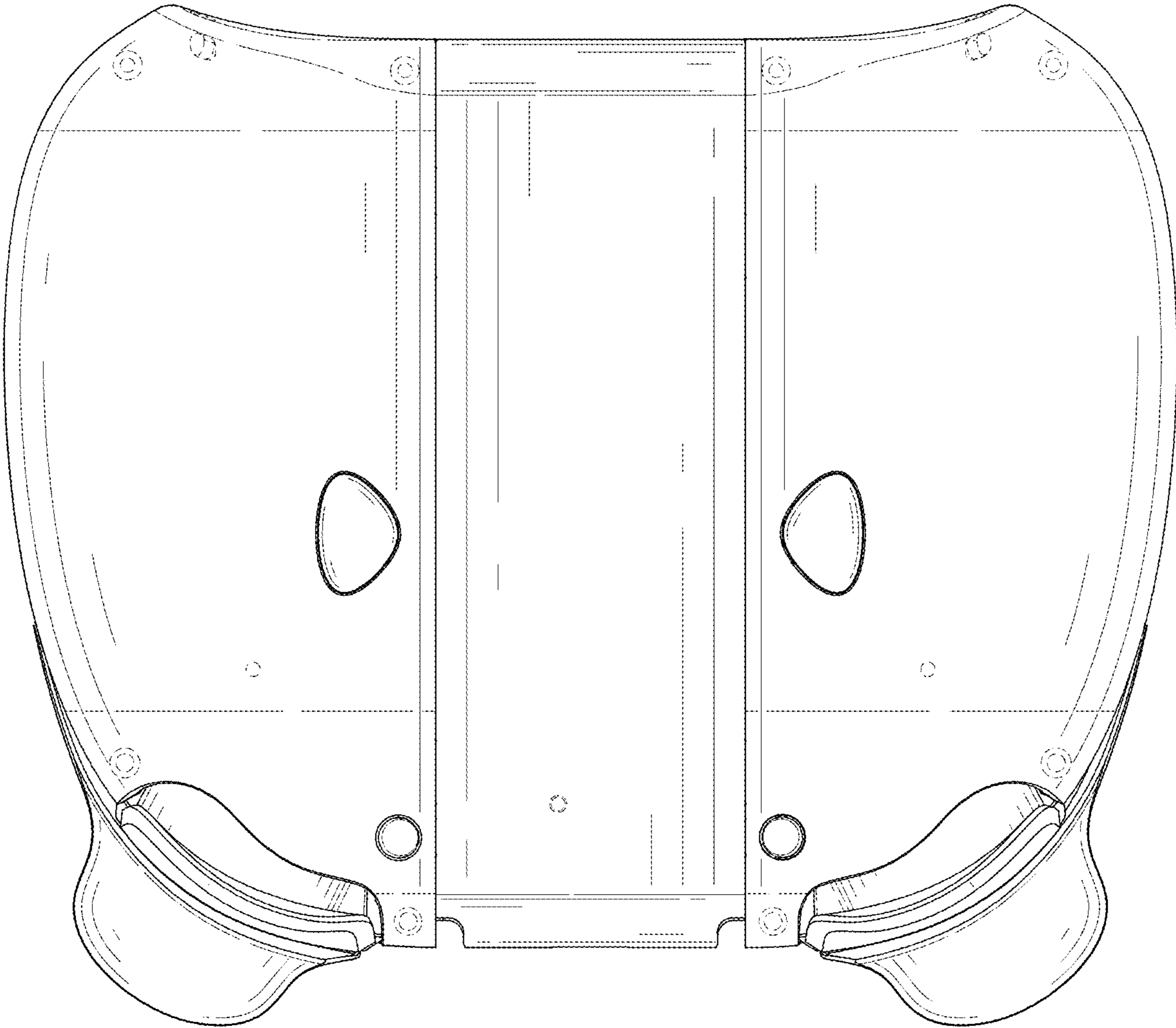


FIG. 8

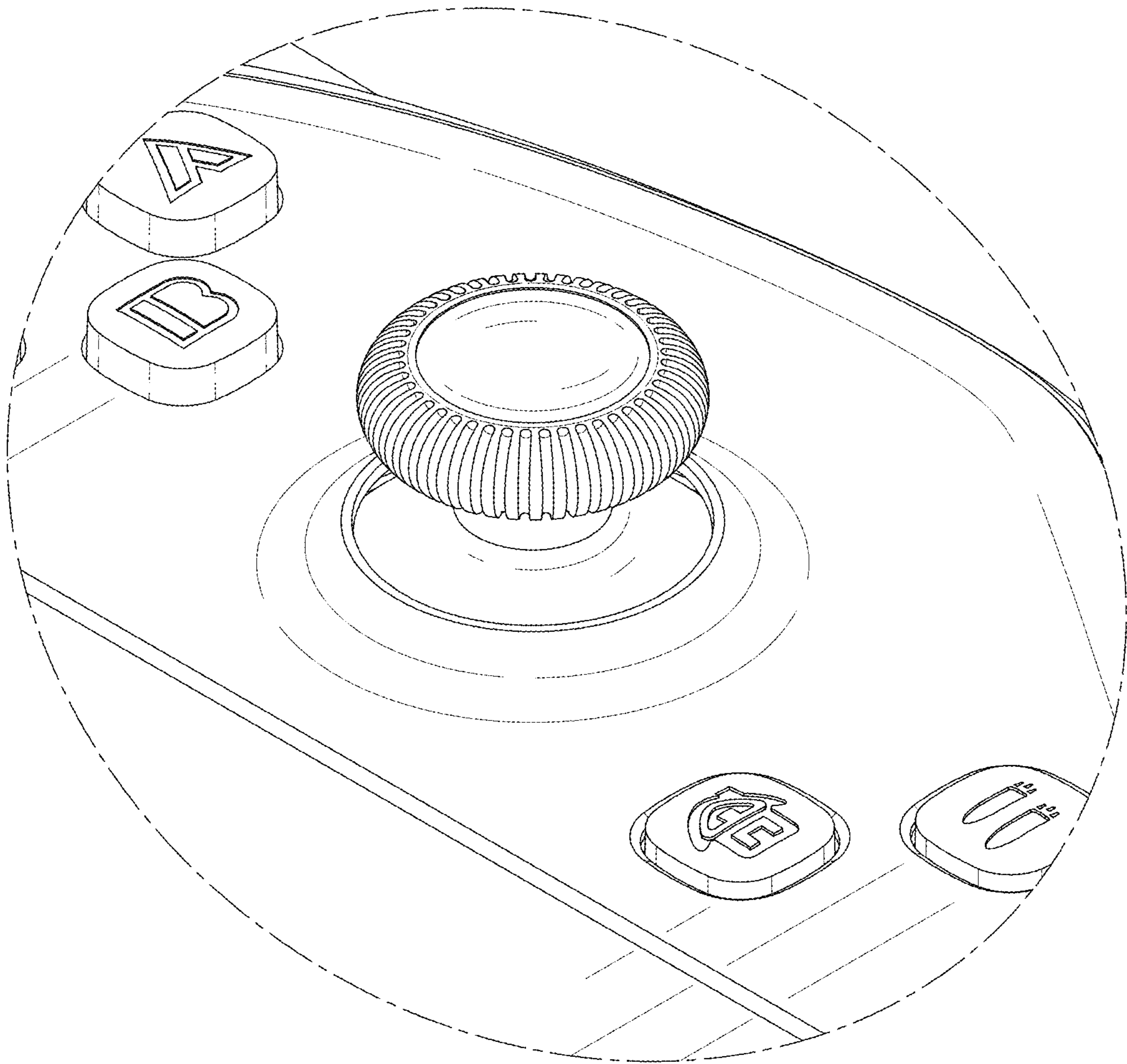


FIG. 9