



US00D960985S

(12) **United States Design Patent**
Engler et al.

(10) **Patent No.:** **US D960,985 S**
(45) **Date of Patent:** **** Aug. 16, 2022**

- (54) **TOSS TRAINER**
- (71) Applicant: **P&P IMPORTS LLC**, Irvine, CA (US)
- (72) Inventors: **Peter Engler**, Newport Beach, CA (US); **Peter Tanoury**, Newport Beach, CA (US)
- (**) Term: **15 Years**
- (21) Appl. No.: **29/752,069**
- (22) Filed: **Sep. 24, 2020**

- 4,553,751 A * 11/1985 Ketchum A63B 69/0097
273/395
- 4,723,780 A * 2/1988 Vinzetta A63B 63/00
273/407
- 4,883,272 A * 11/1989 Lay A63B 63/00
473/436
- 4,905,996 A * 3/1990 Tallent A63B 63/00
273/401
- 5,042,813 A * 8/1991 Huang A63B 67/02
473/153
- 5,725,444 A * 3/1998 Heden A63B 63/00
273/400
- D449,084 S * 10/2001 Walters D21/705
- D649,209 S * 11/2011 Silvi D21/705
- D709,970 S * 7/2014 Holland D21/705
- D805,591 S * 12/2017 Miller D21/705
- 10,166,453 B1 * 1/2019 Dickerson A63B 63/004
- 2003/0047001 A1 * 3/2003 Liao G01P 3/00
73/493

Related U.S. Application Data

- (63) Continuation of application No. 29/667,739, filed on Oct. 24, 2018, now Pat. No. Des. 900,933.
- (51) **LOC (13) Cl.** **21-01**
- (52) **U.S. Cl.**
USPC **D21/305**
- (58) **Field of Classification Search**
USPC D21/300–307, 319, 335, 342, 386, 699,
D21/705, 731, 771, 780, 789, 790, 791,
D21/804, 805; 473/164, 172, 197, 436
CPC A63B 63/00; A63B 71/022; A63B 65/00;
A63B 1/00; A63B 67/00; A63F 1/067;
A47B 25/00
See application file for complete search history.

(Continued)

Primary Examiner — Mehri F Bajoul
(74) *Attorney, Agent, or Firm* — Casey H. Kempner;
Siamak S. Hefazi

(57) **CLAIM**

The ornamental design for a toss trainer, as shown and described.

DESCRIPTION

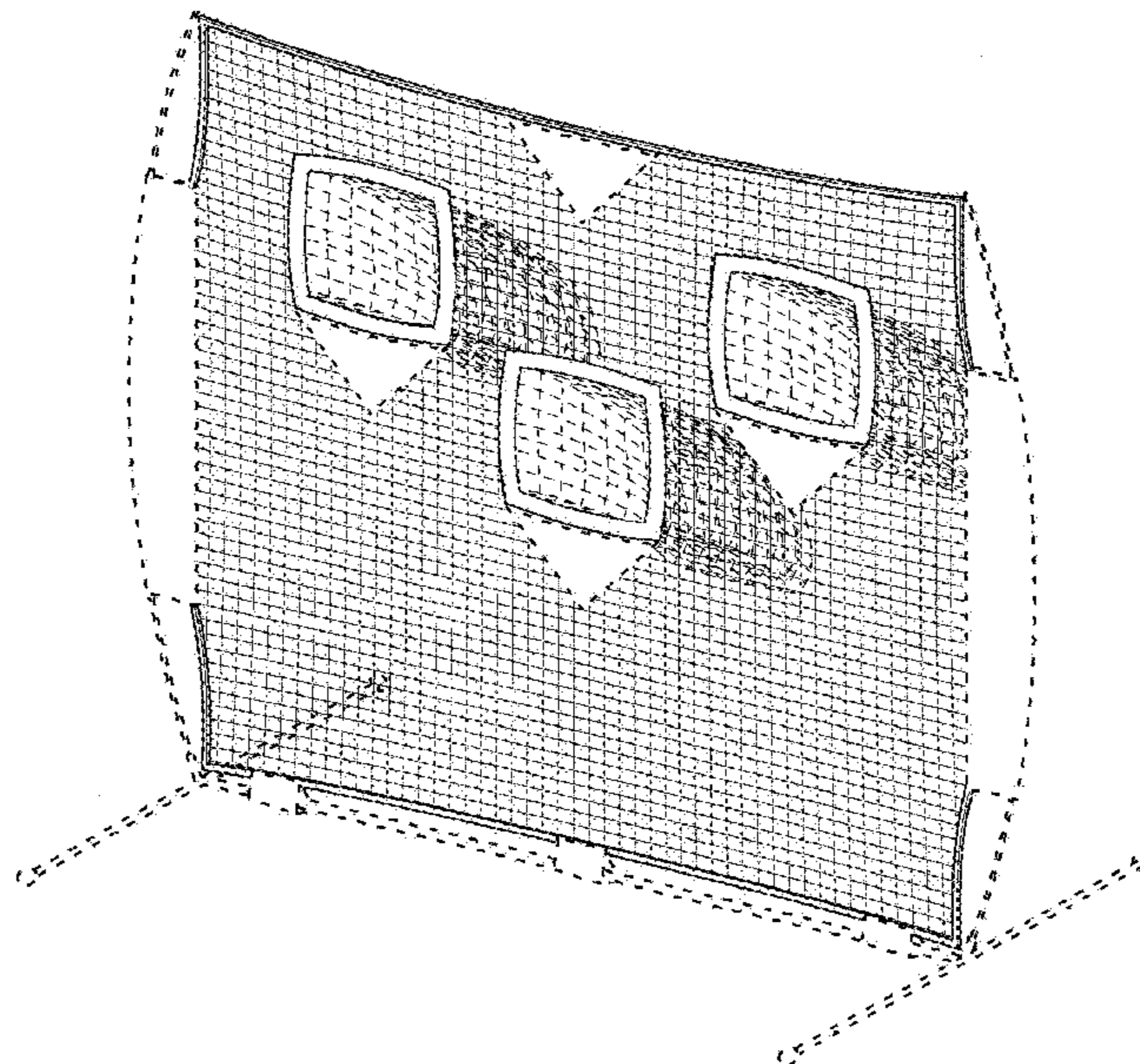
FIG. 1 is a first perspective view of a toss trainer showing the claimed design;
FIG. 2 is a second perspective view thereof;
FIG. 3 is a front elevational view thereof;
FIG. 4 is a back elevational view thereof;
FIG. 5 is a top plan view thereof;
FIG. 6 is a bottom plan thereof;
FIG. 7 is a left-side elevational view thereof; and,
FIG. 8 is a right-side elevational view thereof.
Broken lines in the figures show portions of the toss trainer that form no part of the claimed design.

(56) **References Cited**

U.S. PATENT DOCUMENTS

- 920,907 A * 5/1909 Bolton A63B 71/022
473/197
- 3,986,719 A * 10/1976 Lee A63B 63/00
473/197
- 4,068,846 A * 1/1978 Forrest A63B 63/00
473/195
- 4,492,380 A * 1/1985 Saytar A63B 63/00
273/400

1 Claim, 6 Drawing Sheets



(56)

References Cited

U.S. PATENT DOCUMENTS

2004/0178585 A1* 9/2004 Cosenza A63B 69/0002
273/454
2013/0072327 A1* 3/2013 Hunt A63B 63/00
473/434
2014/0171225 A1* 6/2014 Paulson A63B 71/022
473/421

* cited by examiner

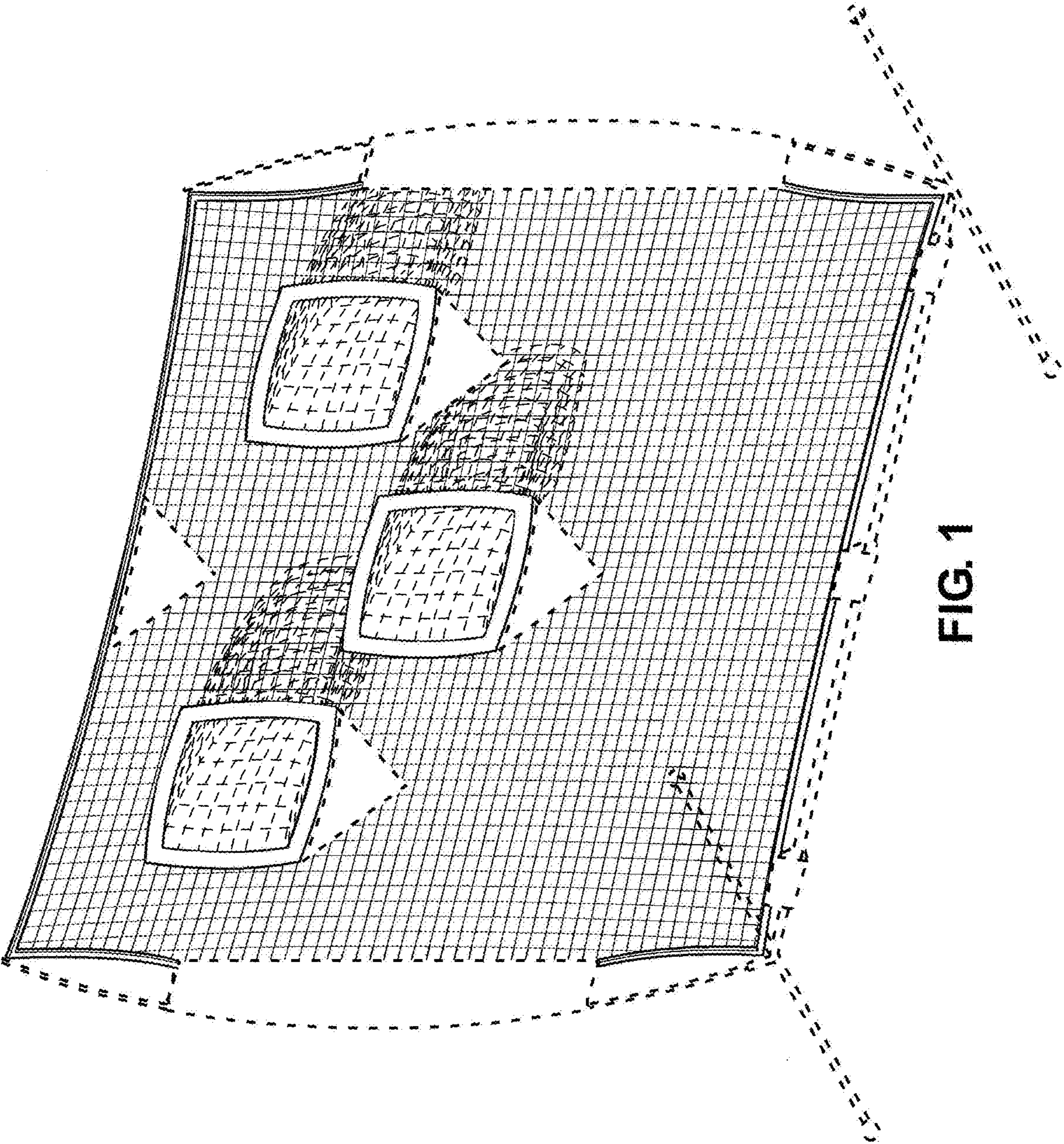


FIG. 1

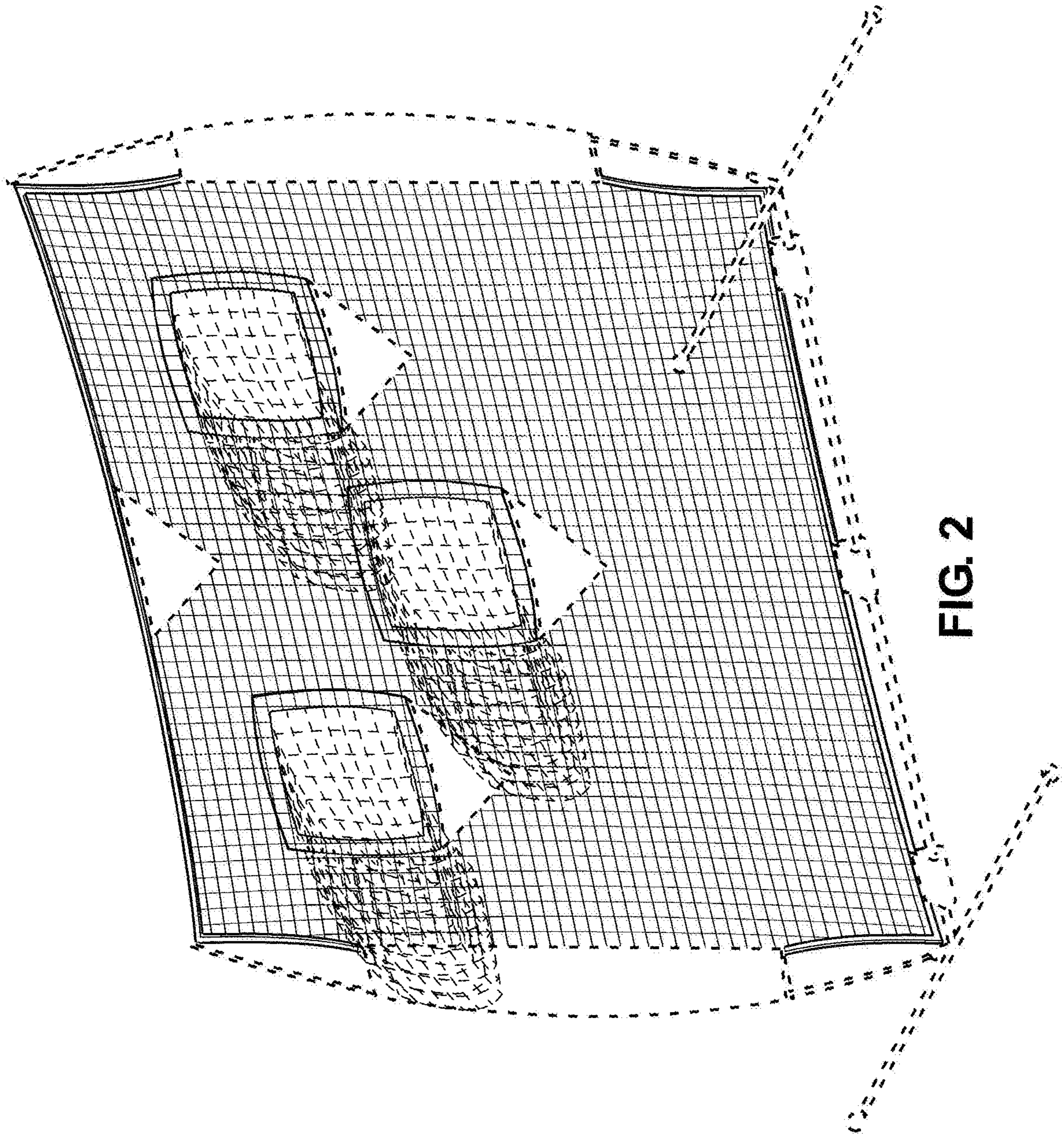


FIG. 2

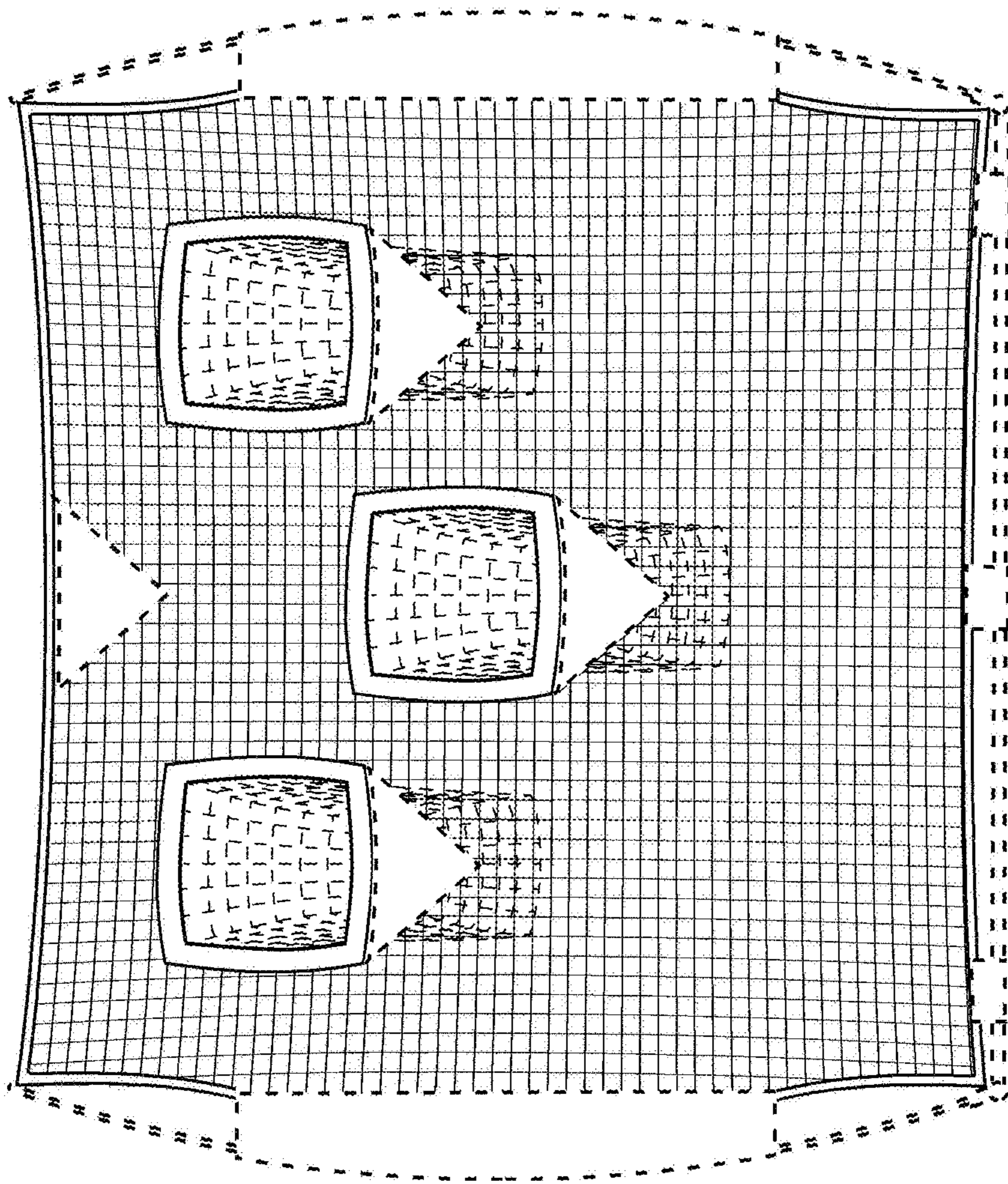


FIG. 3

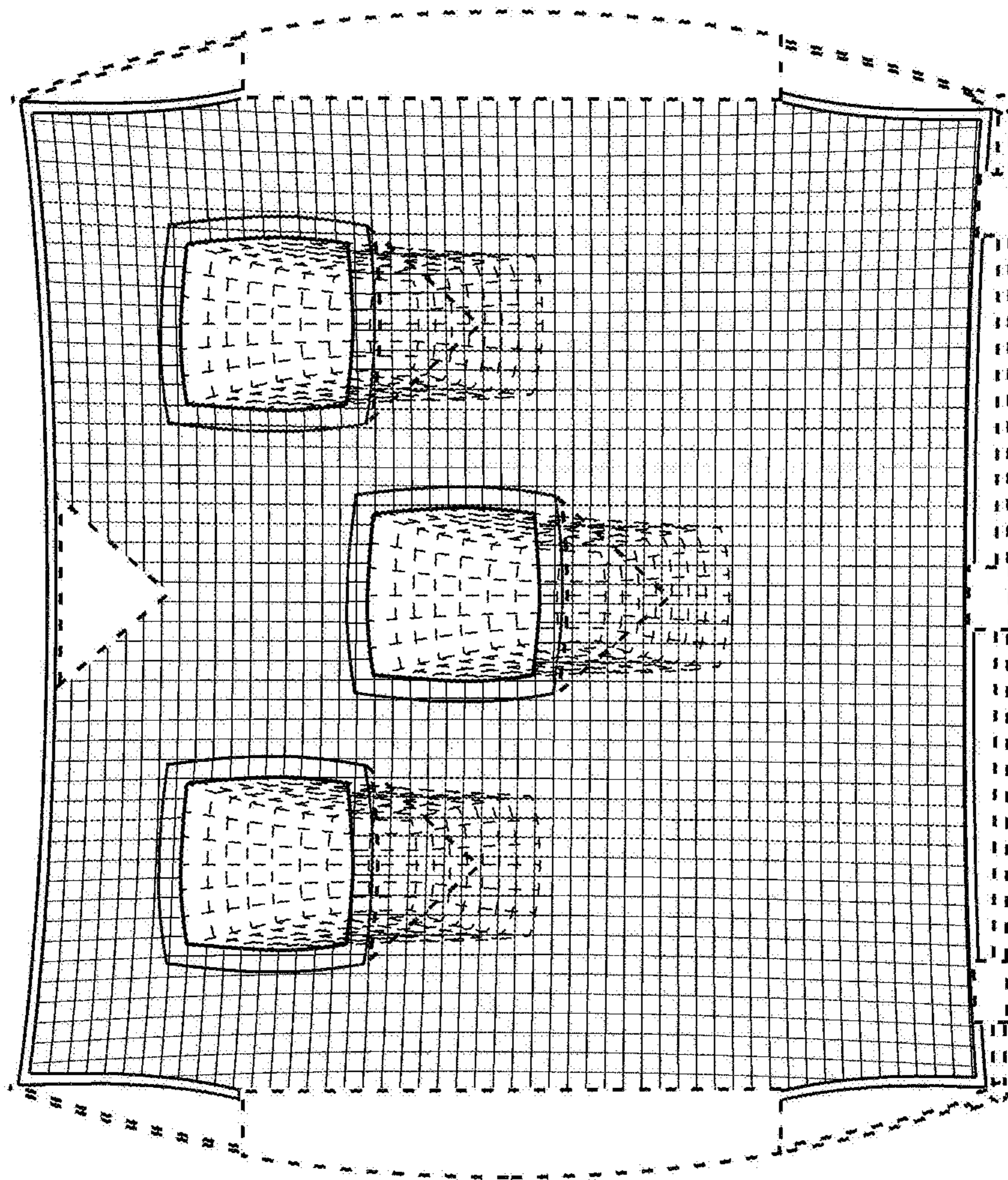


FIG. 4

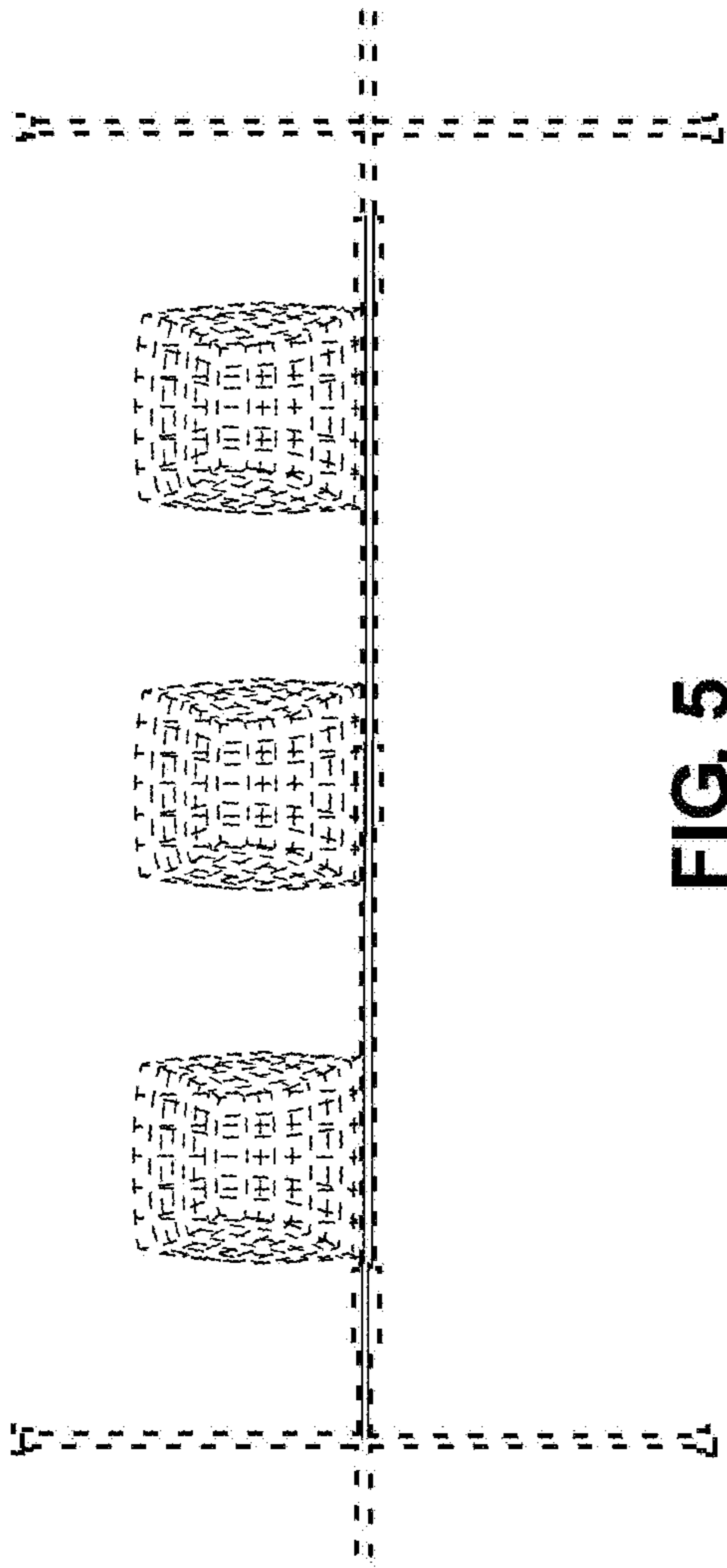


FIG. 5

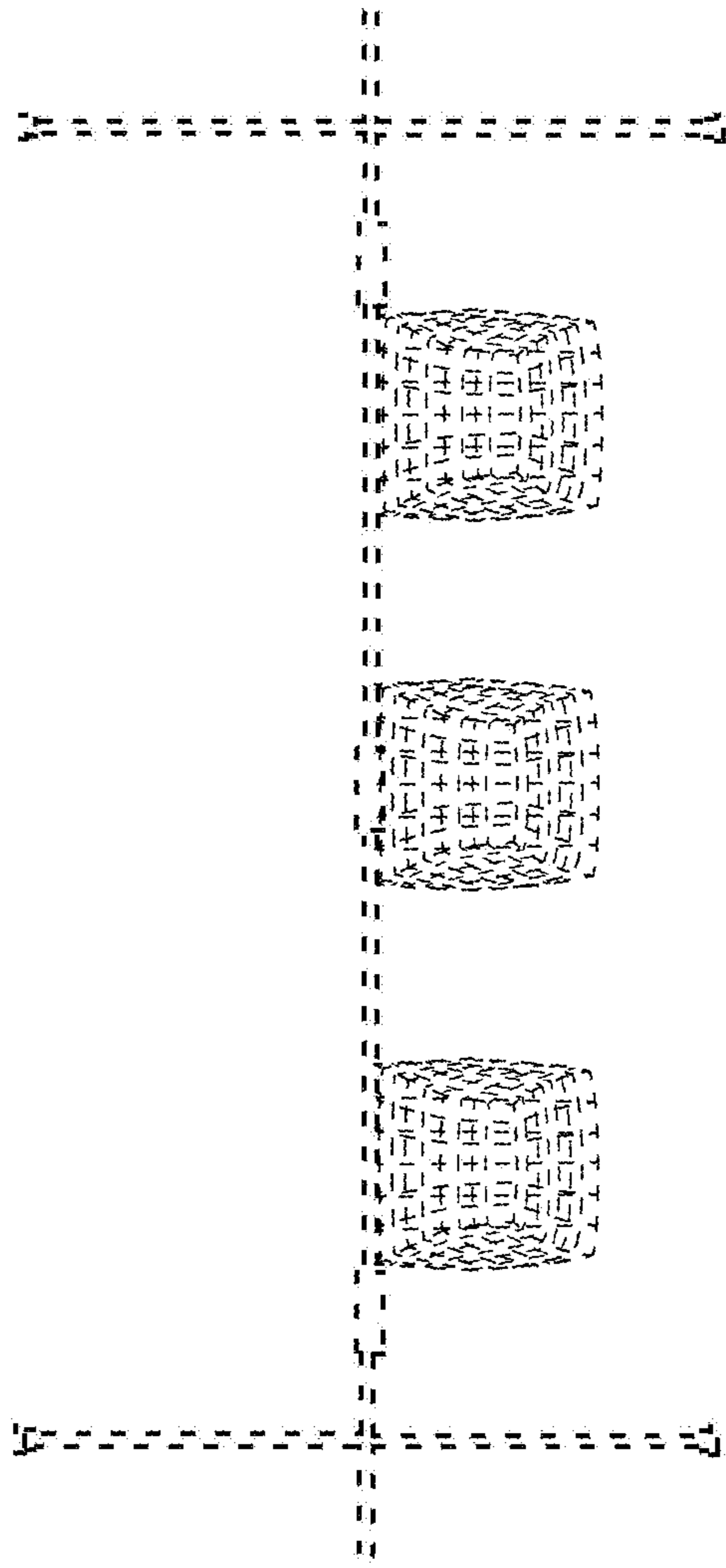


FIG. 6

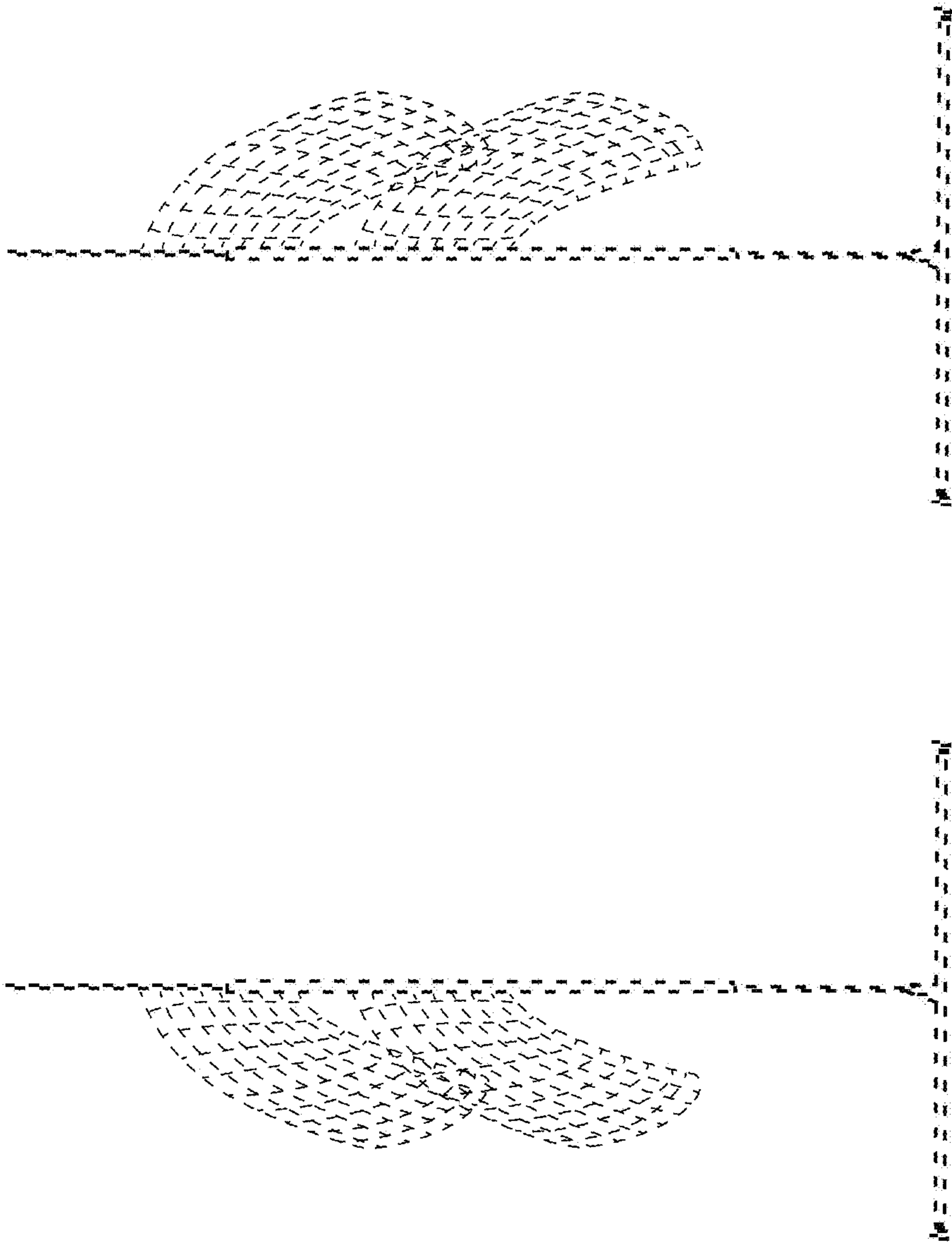


FIG. 8

FIG. 7