



US00D960984S

(12) **United States Design Patent**
Lin

(10) **Patent No.:** **US D960,984 S**

(45) **Date of Patent:** **** Aug. 16, 2022**

(54) **TOY TARGET**

(71) Applicant: **Yong Lin**, Shantou (CN)

(72) Inventor: **Yong Lin**, Shantou (CN)

(**) Term: **15 Years**

(21) Appl. No.: **29/781,507**

(22) Filed: **Apr. 30, 2021**

(51) **LOC (13) Cl.** **21-01**

(52) **U.S. Cl.**
USPC **D21/302**

(58) **Field of Classification Search**
USPC D21/302, 324, 330, 790, 791; D22/112,
D22/113, 199; D20/19, 20, 21, 24,
D20/25–28, 41; 463/2; 273/407, 390;
248/158, 548

CPC F41J 5/10; F41J 7/00; G06T 7/70
See application file for complete search history.

(56) **References Cited**

U.S. PATENT DOCUMENTS

7,793,897	B2 *	9/2010	Wang	F16M 11/10 248/125.2
D720,016	S *	12/2014	McDowell	D21/302
D774,142	S *	12/2016	Wu	D21/307
D856,462	S *	8/2019	Wilson	D22/113
D872,182	S *	1/2020	Engler	D21/302
D875,833	S *	2/2020	Fairchild	D21/302
D923,096	S *	6/2021	Nash	D21/302
2002/0158413	A1 *	10/2002	Dehart	F41J 9/02 273/390

2006/0284035	A1 *	12/2006	Crosby	F41J 1/10 248/158
2015/0069709	A1 *	3/2015	Doria	F41J 1/10 273/407
2015/0137455	A1 *	5/2015	Pixton	F41J 1/10 273/407
2015/0292842	A1 *	10/2015	Pixton	F41J 1/10 273/407
2019/0063884	A1 *	2/2019	McBride	F41J 5/14

* cited by examiner

Primary Examiner — Mehri F Bajoul

(74) *Attorney, Agent, or Firm* — True Shepherd LLC;
Andrew C. Cheng

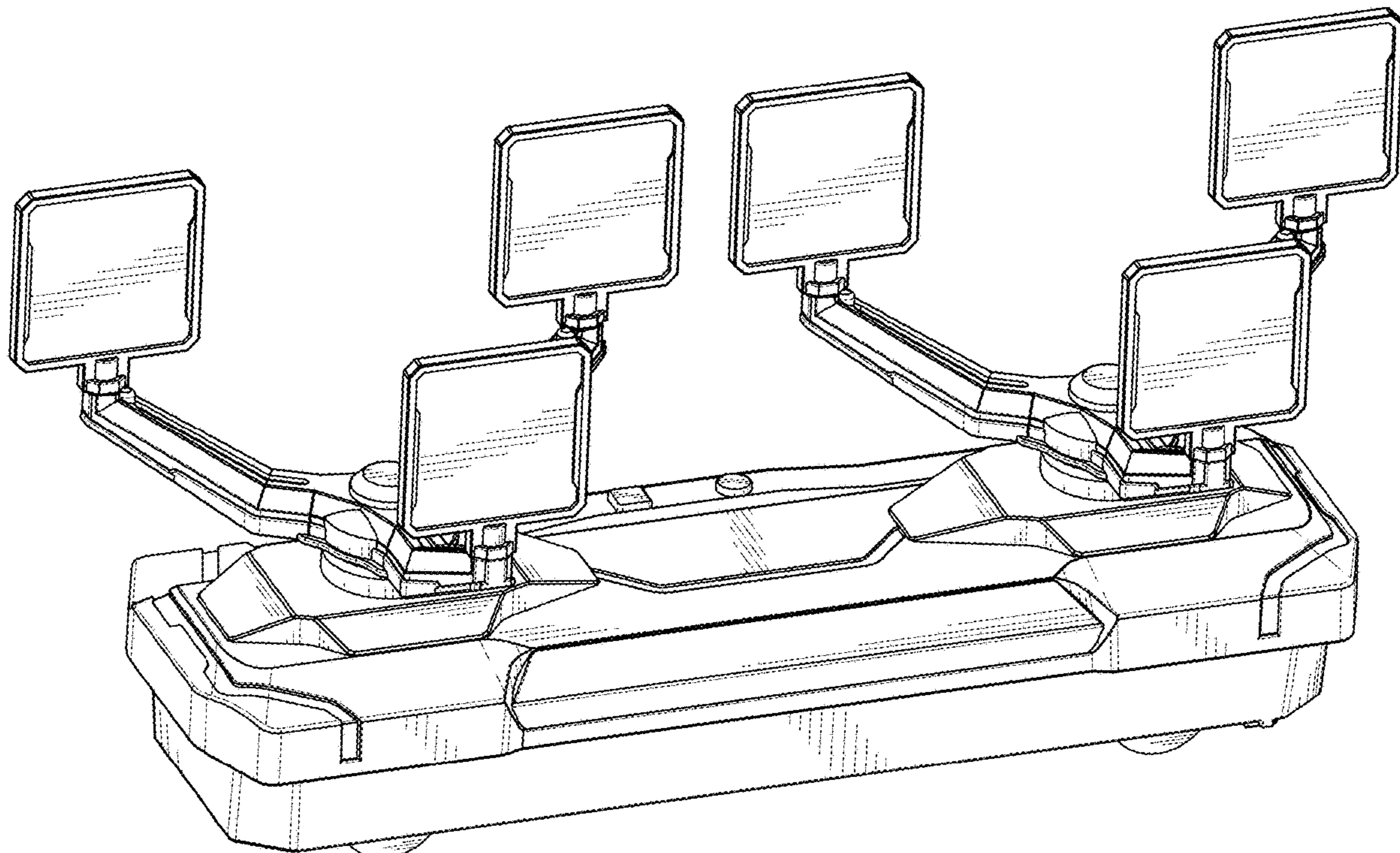
(57) **CLAIM**

The ornamental design for a toy target, as shown and described.

DESCRIPTION

FIG. 1 is a top, front, left perspective view of a toy target showing my new design;
FIG. 2 is a front view thereof;
FIG. 3 is a rear view thereof;
FIG. 4 is a left side view thereof;
FIG. 5 is a right side view thereof;
FIG. 6 is a top plan view thereof;
FIG. 7 is a bottom plan view thereof; and,
FIG. 8 is a top, rear and left perspective view thereof.
The broken lines depict portions of the toy target and form no part of the claimed design.

1 Claim, 8 Drawing Sheets



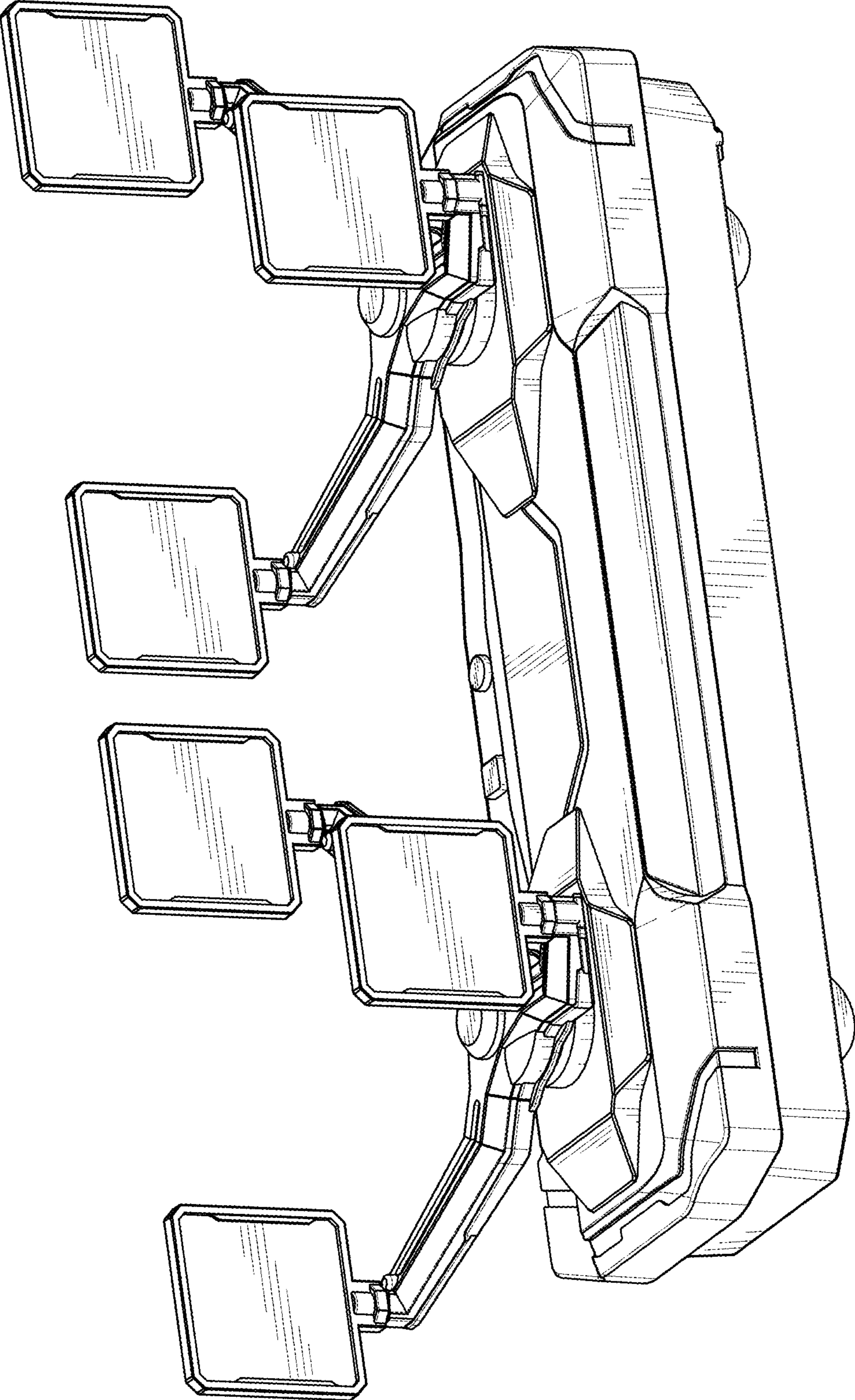


FIG. 1

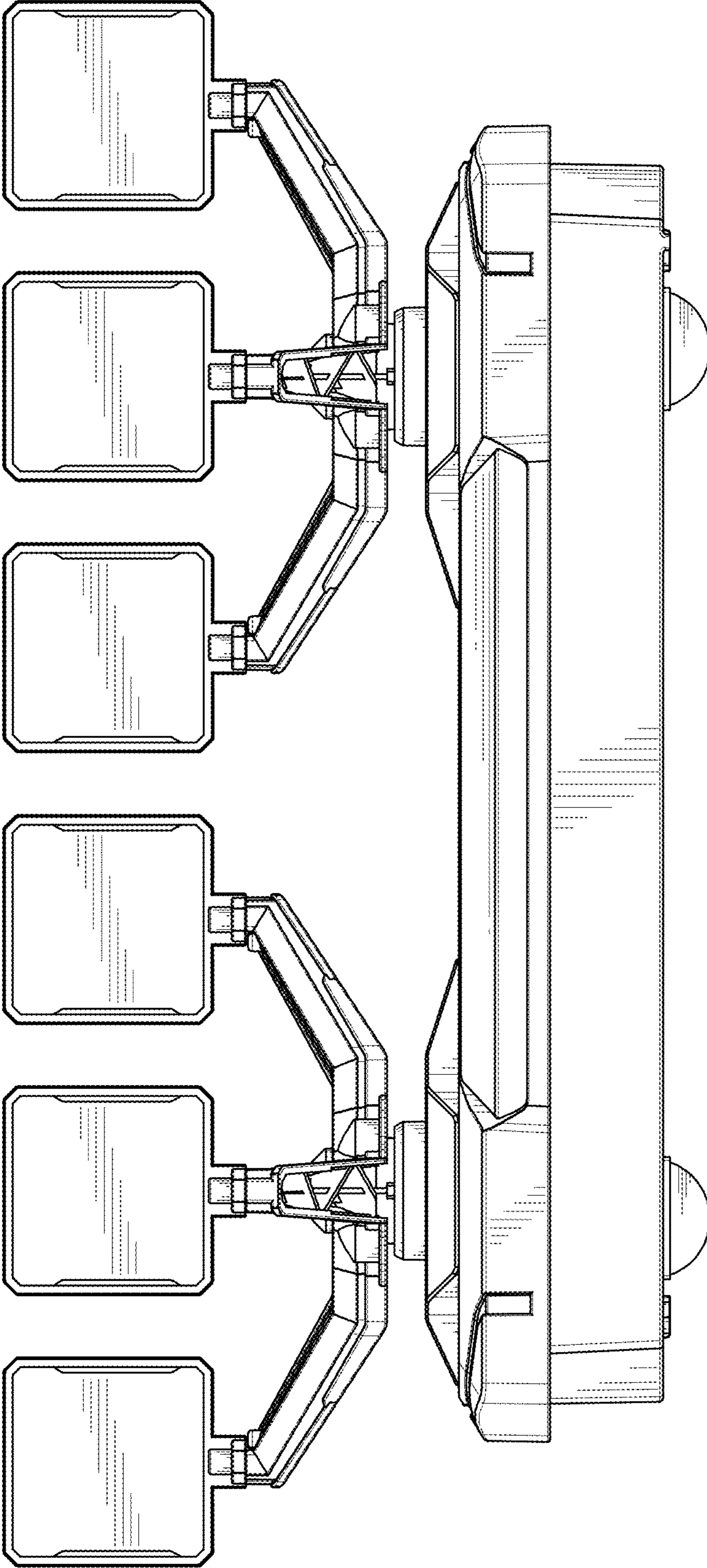


FIG. 2

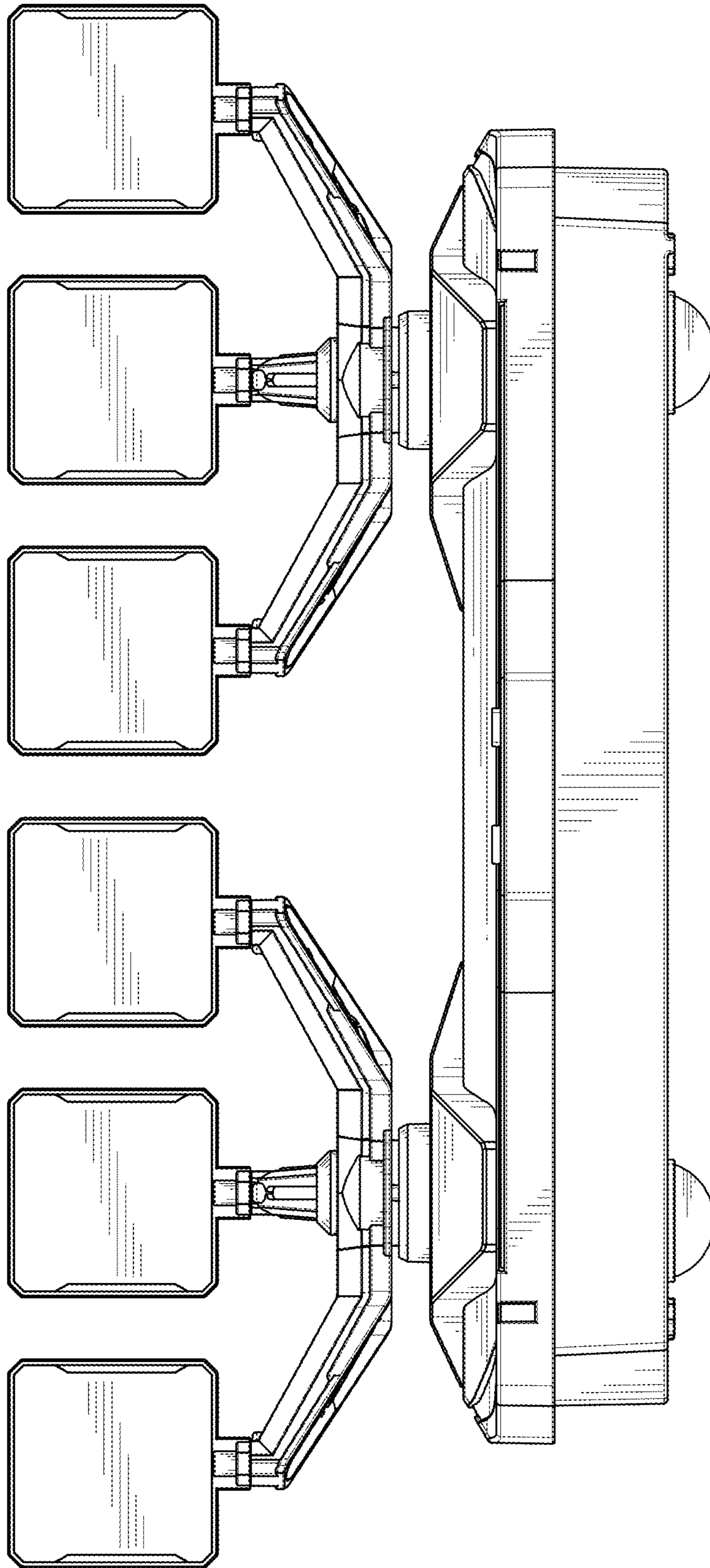


FIG. 3

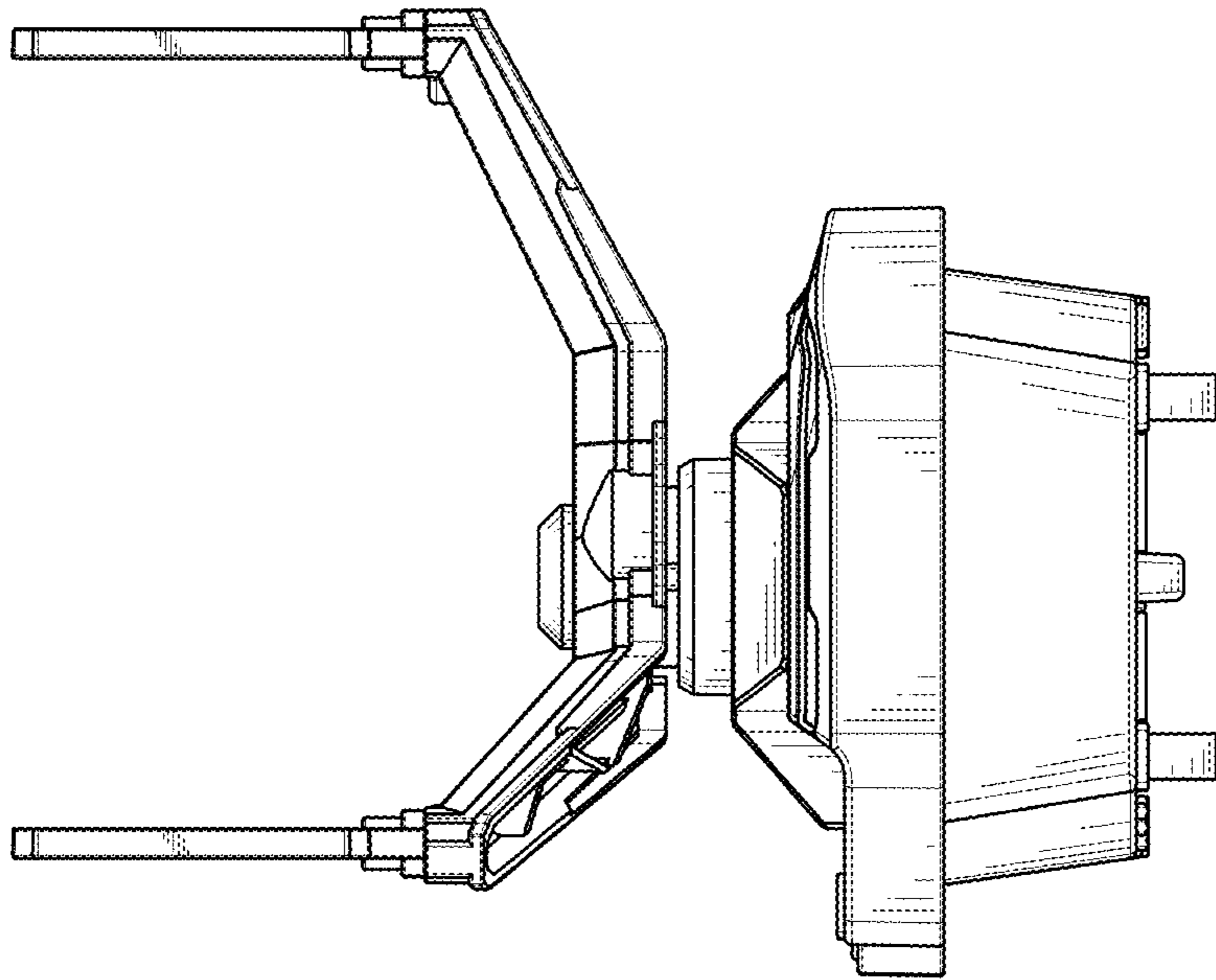


FIG. 4

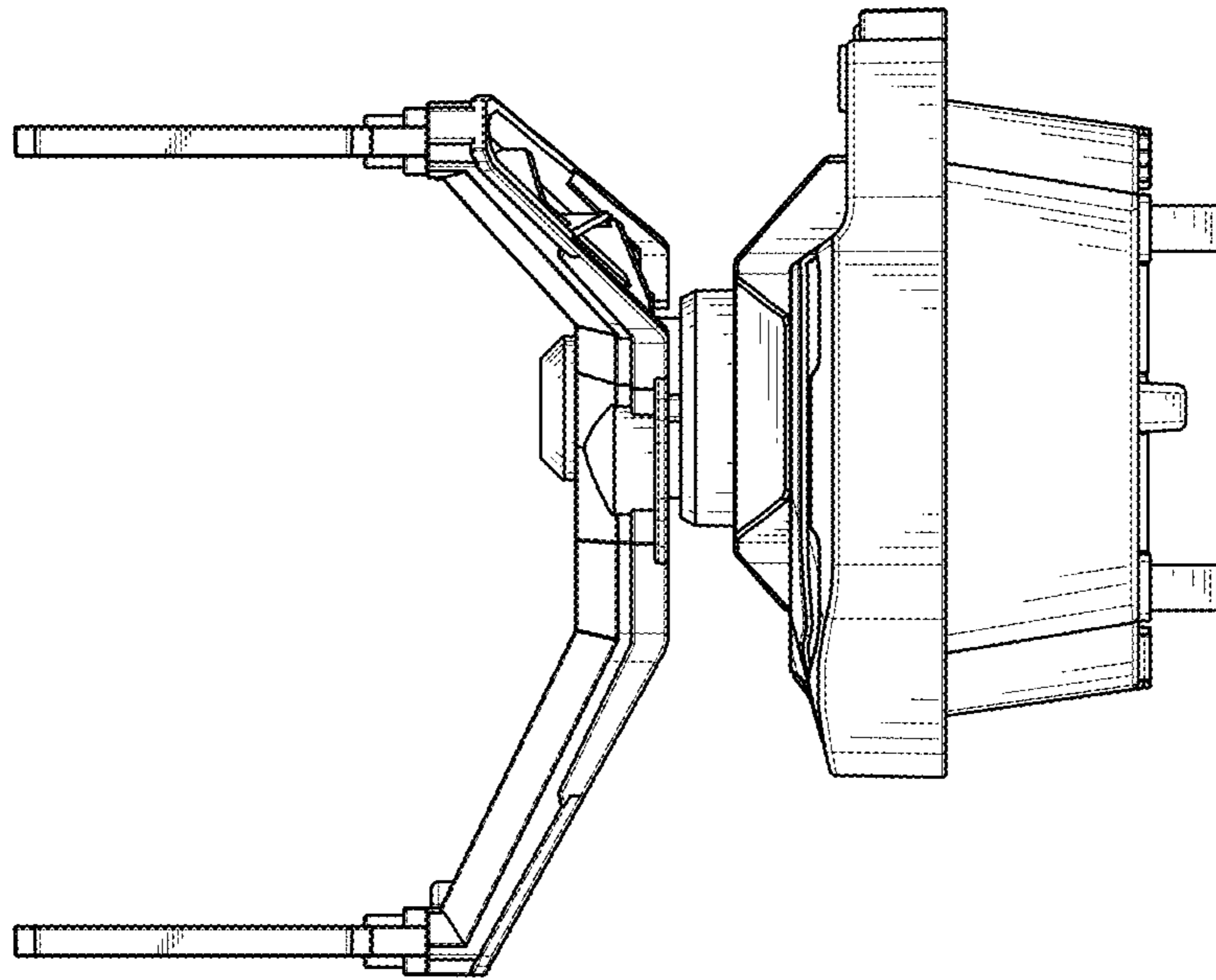


FIG. 5

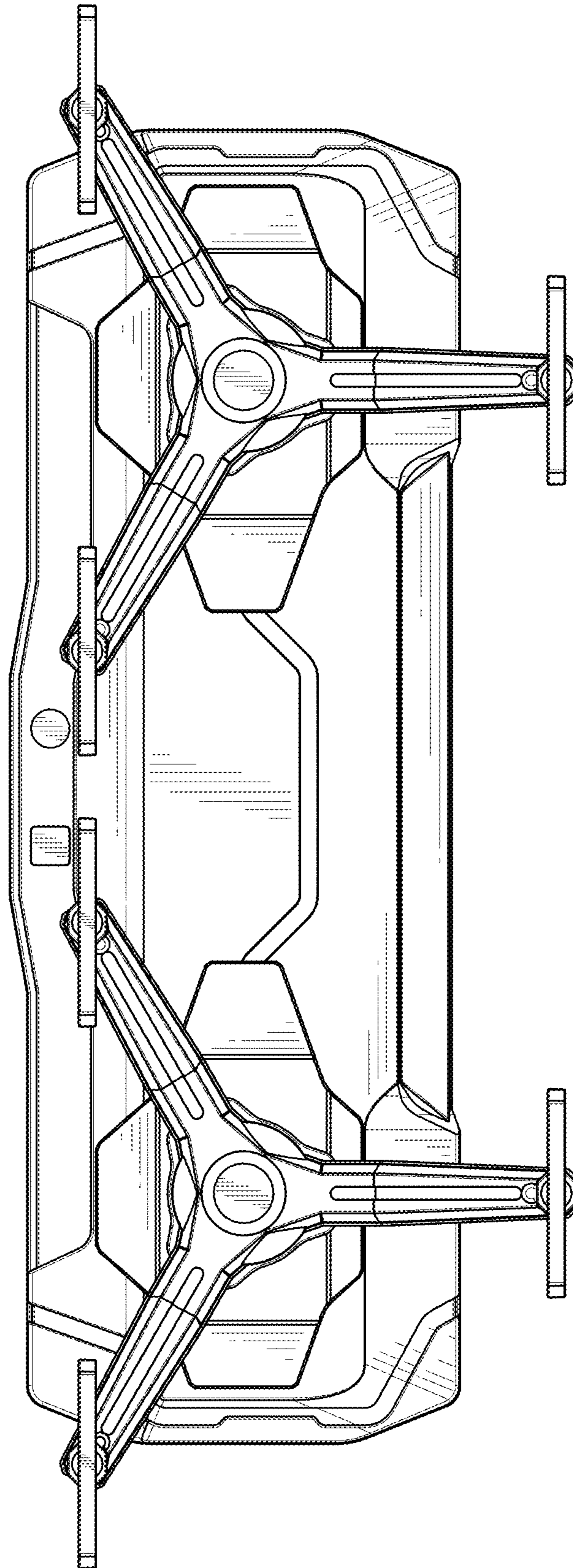


FIG. 6

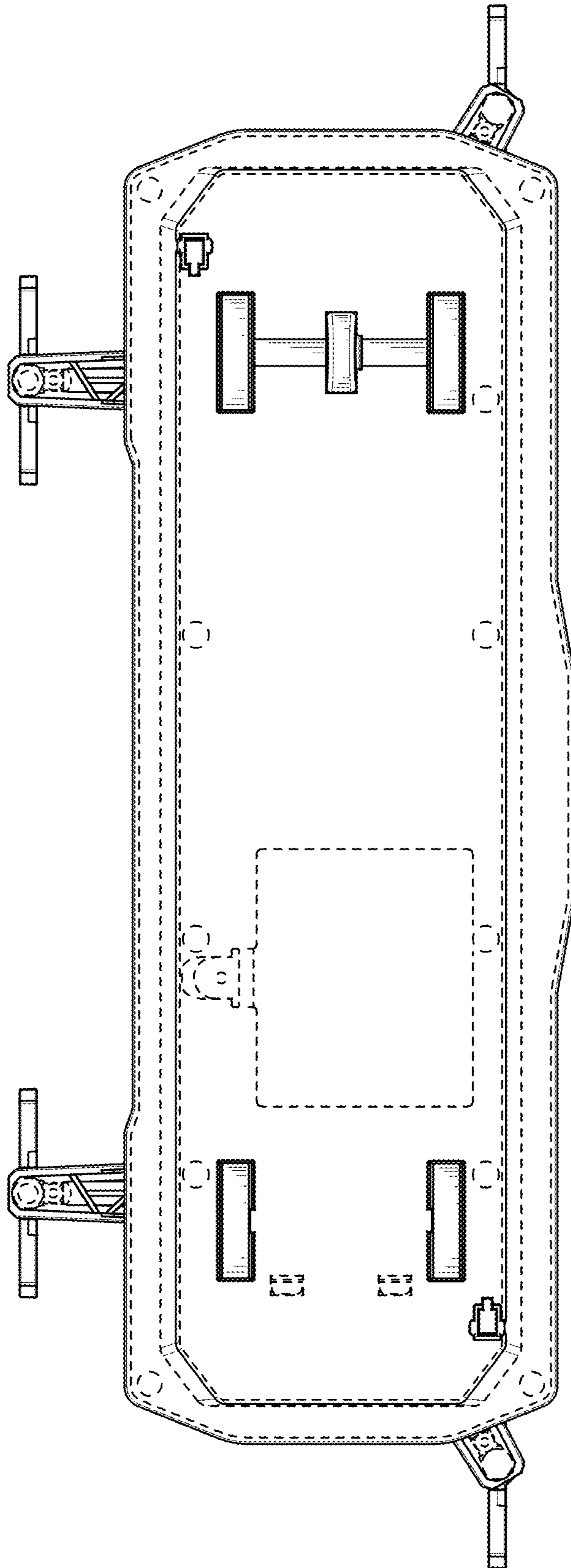


FIG. 7

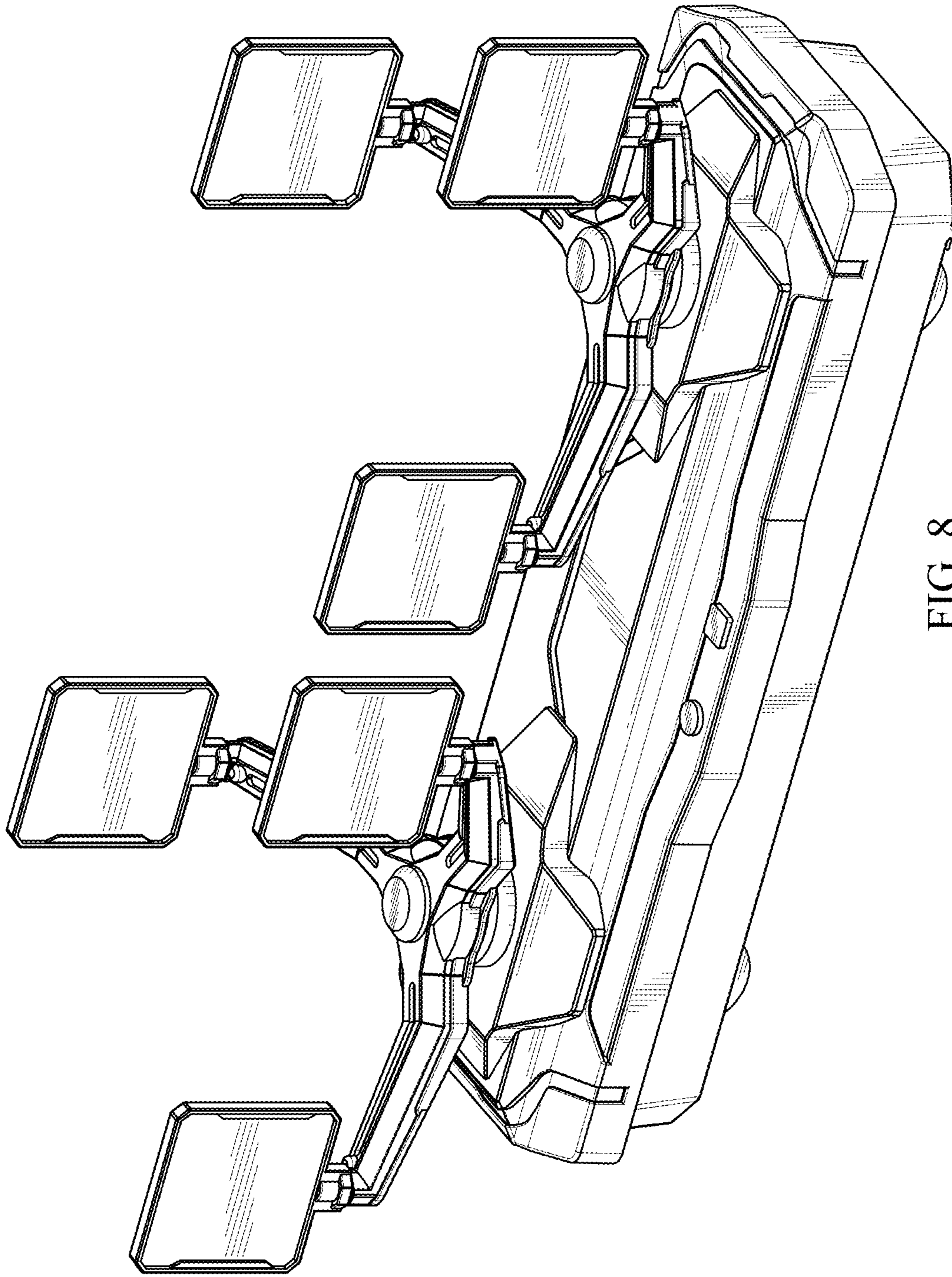


FIG. 8