

US00D960983S

(12) **United States Design Patent** (10) **Patent No.:** **US D960,983 S**
Ricci (45) **Date of Patent:** **** Aug. 16, 2022**

(54) **SIGN FOR SHELF**

(71) Applicant: **Dana Industries Inc.**, Etobicoke (CA)

(72) Inventor: **John Ricci**, Kleinburg (CA)

(73) Assignee: **Dana Industries, Inc.**, Etobicoke (CA)

(**) Term: **15 Years**

(21) Appl. No.: **29/788,326**

(22) Filed: **May 3, 2021**

Related U.S. Application Data

(62) Division of application No. 29/711,509, filed on Oct. 31, 2019, now Pat. No. Des. 919,008.

(30) **Foreign Application Priority Data**

May 1, 2019 (CA) 187271

(51) **LOC (13) Cl.** **20-03**

(52) **U.S. Cl.**
USPC **D20/43**

(58) **Field of Classification Search**
USPC D10/109.1, 109.2, 113.4; D11/165, 166,
D11/181, 182; D20/10, 19, 21, 29, 37,
D20/39, 40, 41, 42, 43, 99
(Continued)

(56) **References Cited**

U.S. PATENT DOCUMENTS

6,360,465 B1 * 3/2002 Simpson G09F 3/204
40/661.03
D627,828 S * 11/2010 Ricci D20/29
(Continued)

Primary Examiner — Catherine Ho
(74) *Attorney, Agent, or Firm* — CPST Intellectual
Property Inc.; Santosh K. Chari

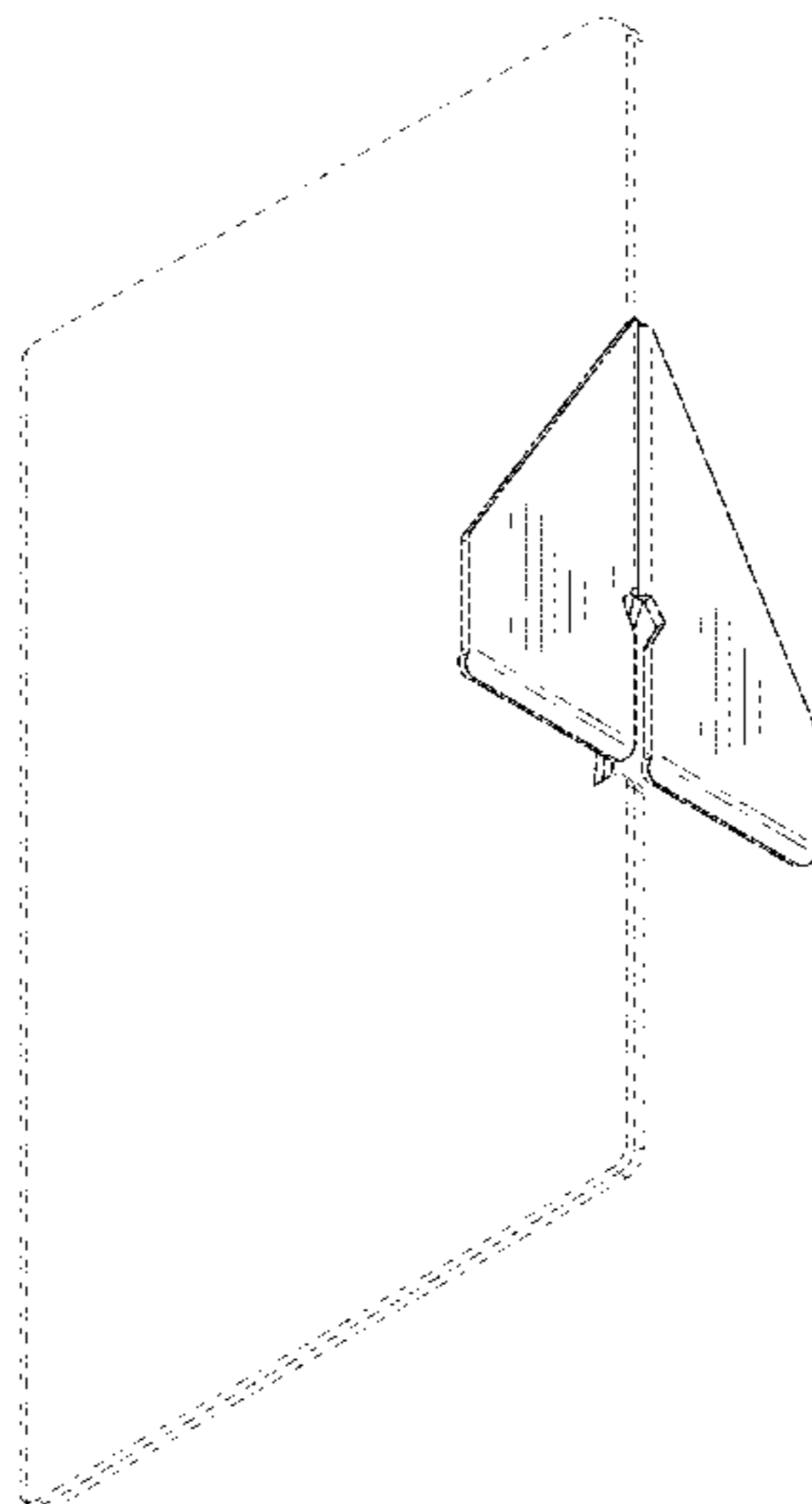
(57) **CLAIM**

I claim the ornamental design for a sign for shelf, as shown and described.

DESCRIPTION

FIG. 1 is a top front perspective view of a sign for shelf showing my design in an environment;
FIG. 2 is a top front perspective view thereof;
FIG. 3 is a bottom rear perspective view thereof;
FIG. 4 is a front elevational view thereof;
FIG. 5 is a rear elevational view thereof;
FIG. 6 is a top plan view thereof;
FIG. 7 is a bottom plan view thereof;
FIG. 8 is a right side elevational view thereof;
FIG. 9 is a left side elevational view thereof;
FIG. 10 is a top front perspective view of a sign for shelf showing my design in an alternate environment;
FIG. 11 is top front perspective view thereof;
FIG. 12 is a bottom rear perspective view thereof;
FIG. 13 is a front elevational view thereof;
FIG. 14 is a rear elevational view thereof;
FIG. 15 is a top plan view thereof;
FIG. 16 is a bottom plan view thereof;
FIG. 17 is a right side elevational view thereof;
FIG. 18 is a left side elevational view thereof;
FIG. 19 is a top front perspective view of a sign for shelf showing my design in another alternate environment;
FIG. 20 is top front perspective view thereof;
FIG. 21 is a bottom rear perspective view thereof;
FIG. 22 is a front elevational view thereof;
FIG. 23 is a rear elevational view thereof;
FIG. 24 is a top plan view thereof;
FIG. 25 is a bottom plan view thereof;
FIG. 26 is a right side elevational view thereof; and,
FIG. 27 is a left side elevational view thereof.
The portions of the FIGS. 2-9, 11-18, 20-27 shown in broken lines illustrate features that do not form part of the claimed design. The broken lines in FIGS. 1, 10, and 19 illustrate an environment of the claimed design or unclaimed features of the design and do not form a part thereof.

1 Claim, 21 Drawing Sheets



(58) **Field of Classification Search**

CPC G09F 7/00; G09F 7/12; G09F 7/14; G09F
7/16; G09F 7/18; G09F 2007/122; G09F
2007/1804; G09F 2007/1834; G09F
2007/1886; G09F 9/00; G09F 13/00;
G09F 13/02; G09F 13/04; G09F 13/0018;
G09F 13/22; G09F 2003/1895; G09F
15/00; G09F 15/0037; G09F 15/02; G09F
15/025; G09F 17/00; G09F 2007/0075;
G09F 23/00

See application file for complete search history.

(56) **References Cited**

U.S. PATENT DOCUMENTS

| | | | | | | |
|--------------|----|---|---------|------------|-------|------------|
| D652,873 | S | * | 1/2012 | Ricci | | D20/42 |
| D685,855 | S | * | 7/2013 | Hawkins | | D20/43 |
| D694,826 | S | * | 12/2013 | Ricci | | D20/42 |
| D754,251 | S | * | 4/2016 | Bigham | | D20/40 |
| D846,648 | S | * | 4/2019 | Ricci | | D20/43 |
| D900,672 | S | * | 11/2020 | O'Loughlin | | D11/165 |
| D916,978 | S | * | 4/2021 | Ricci | | D20/43 |
| D919,008 | S | * | 5/2021 | Ricci | | D20/43 |
| 2020/0320905 | A1 | * | 10/2020 | Konow | | G09F 3/208 |

* cited by examiner

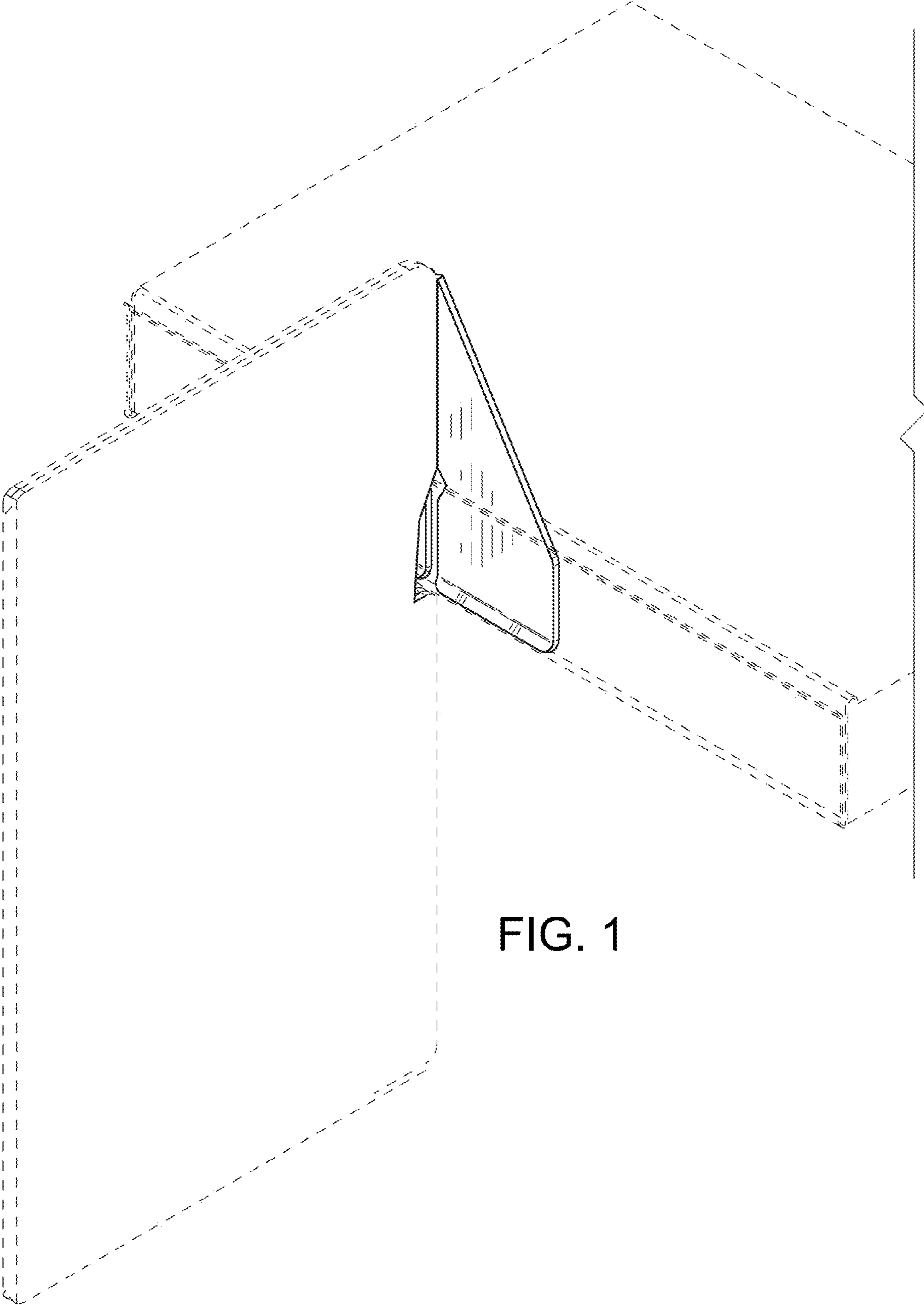


FIG. 1

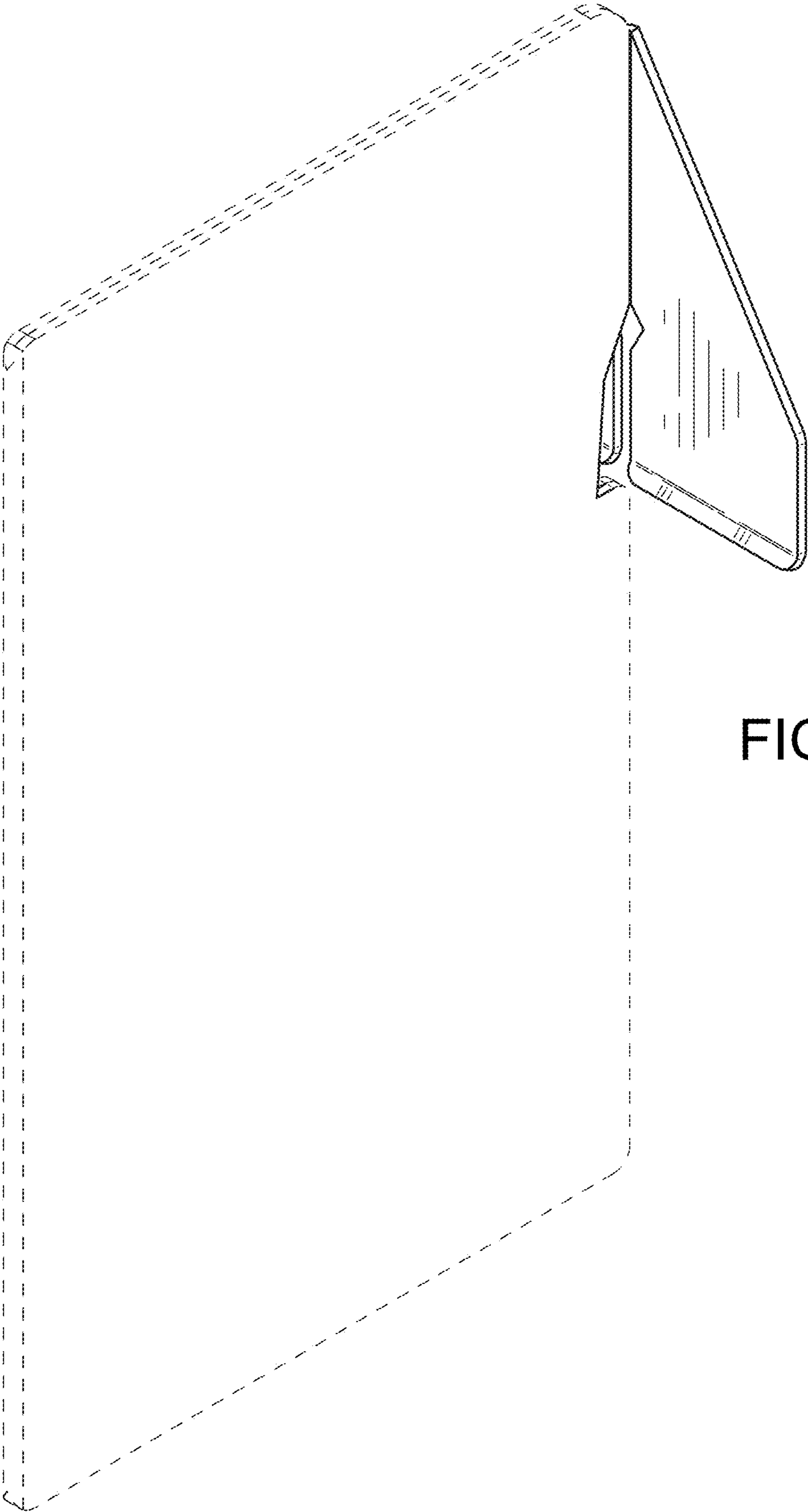


FIG. 2

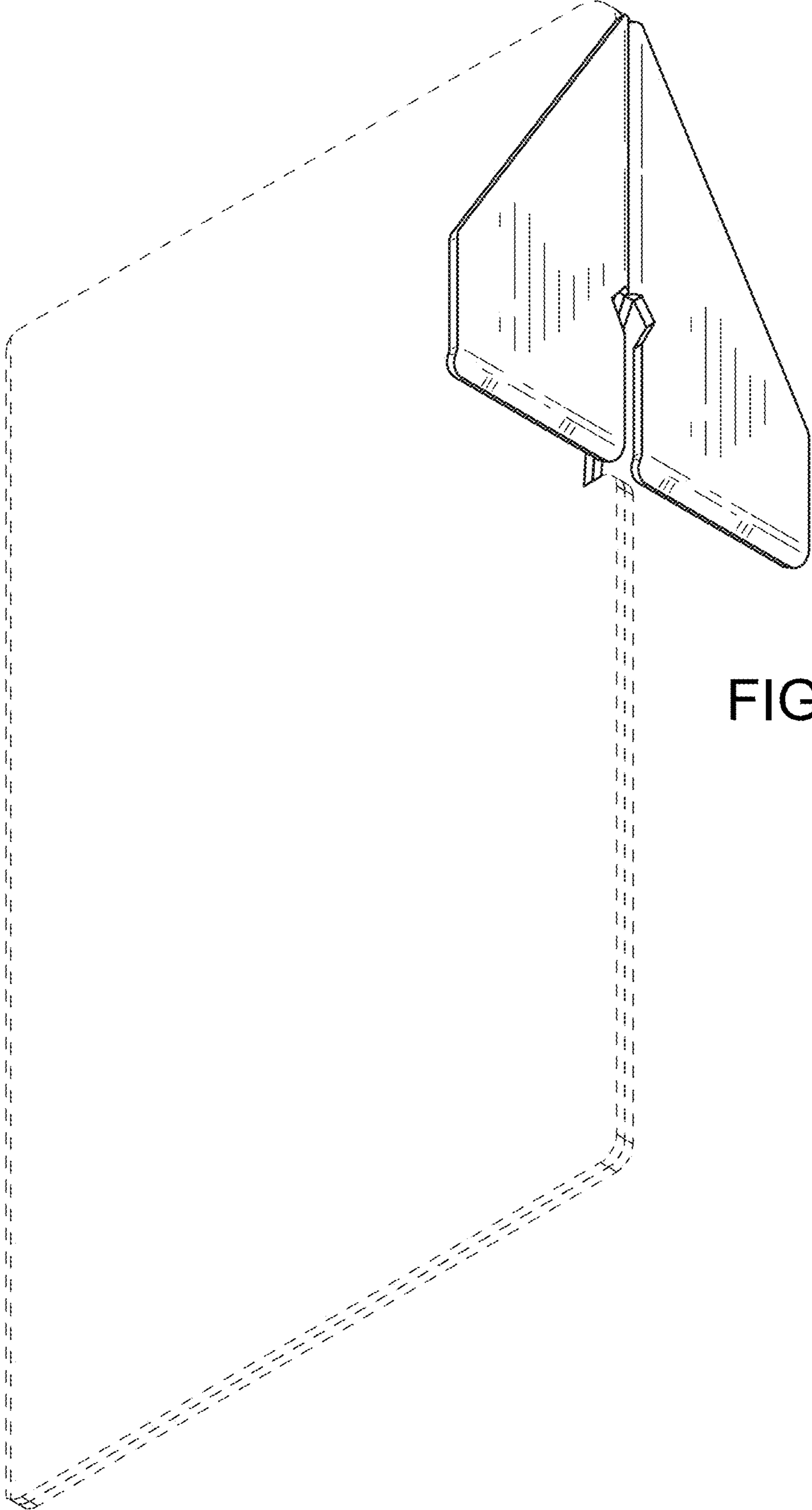


FIG. 3

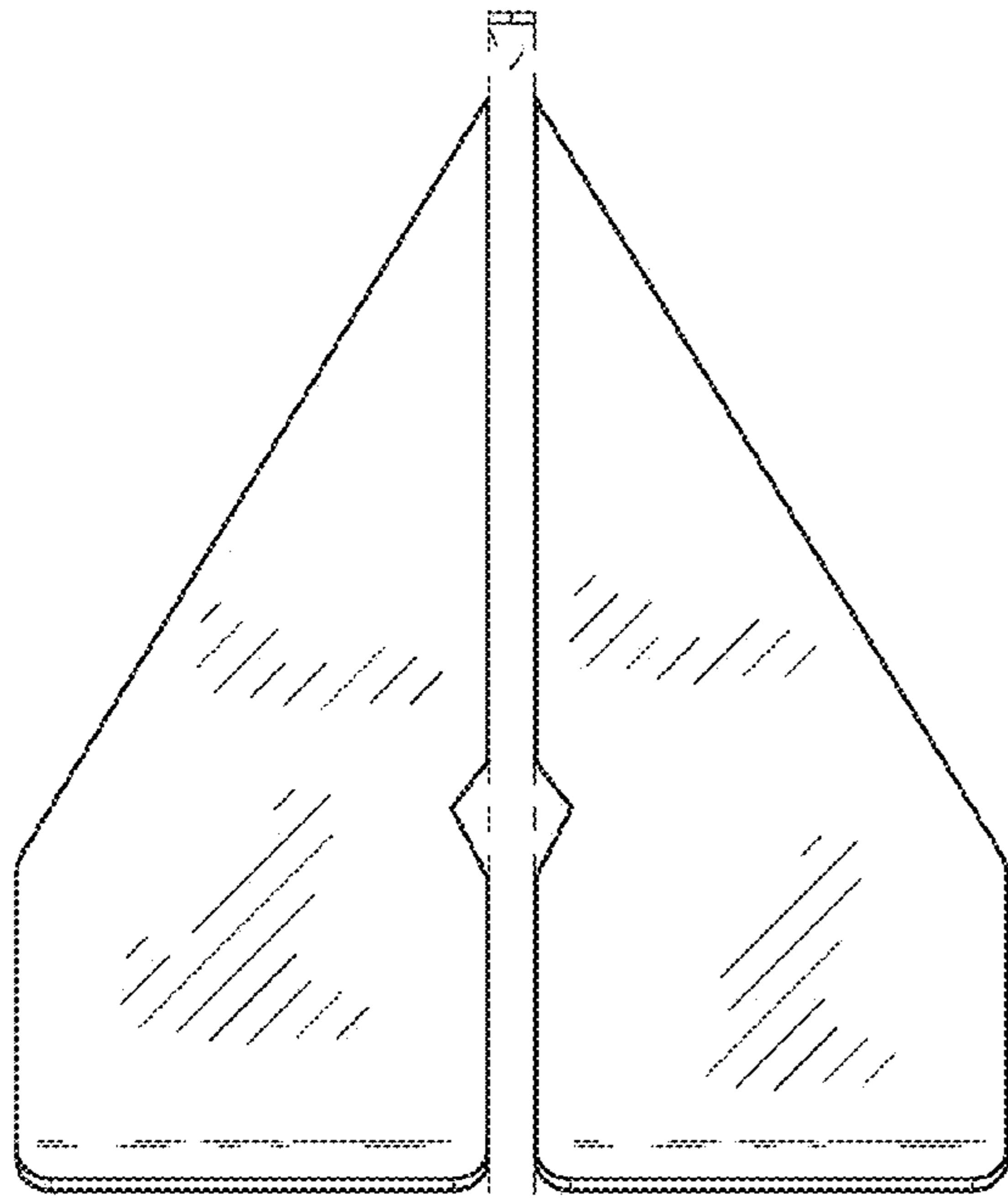


FIG. 4

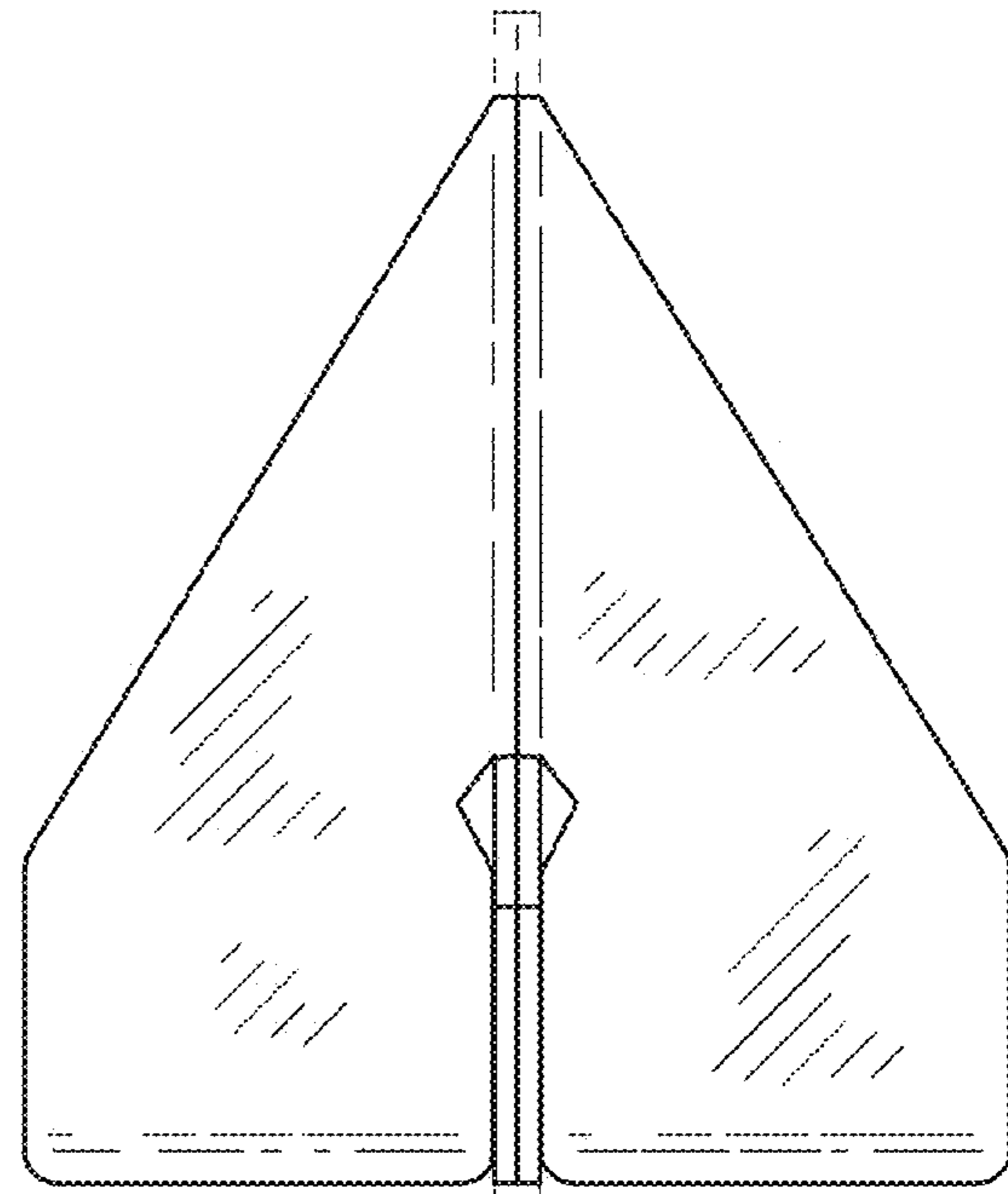


FIG. 5

FIG. 6

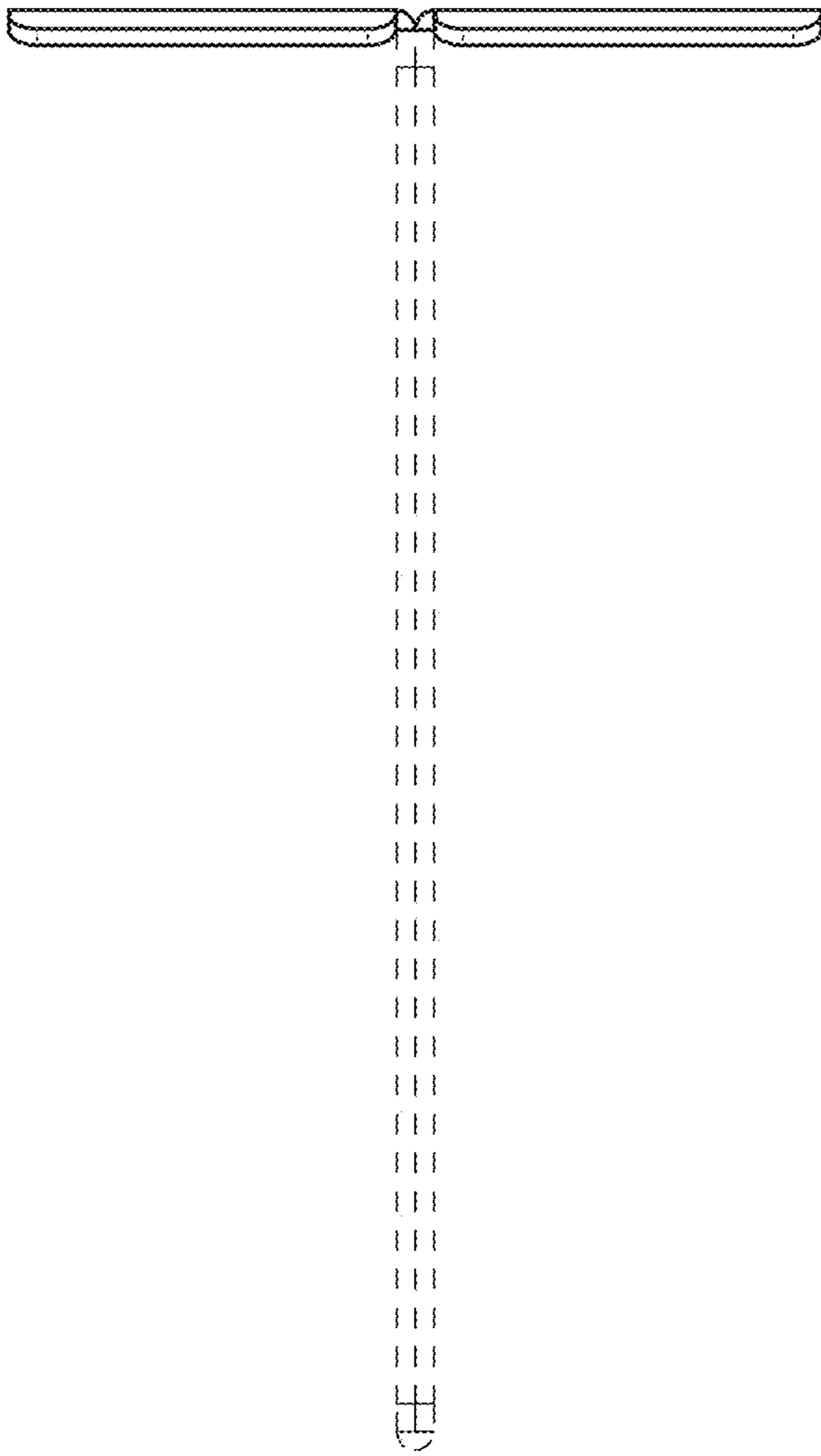
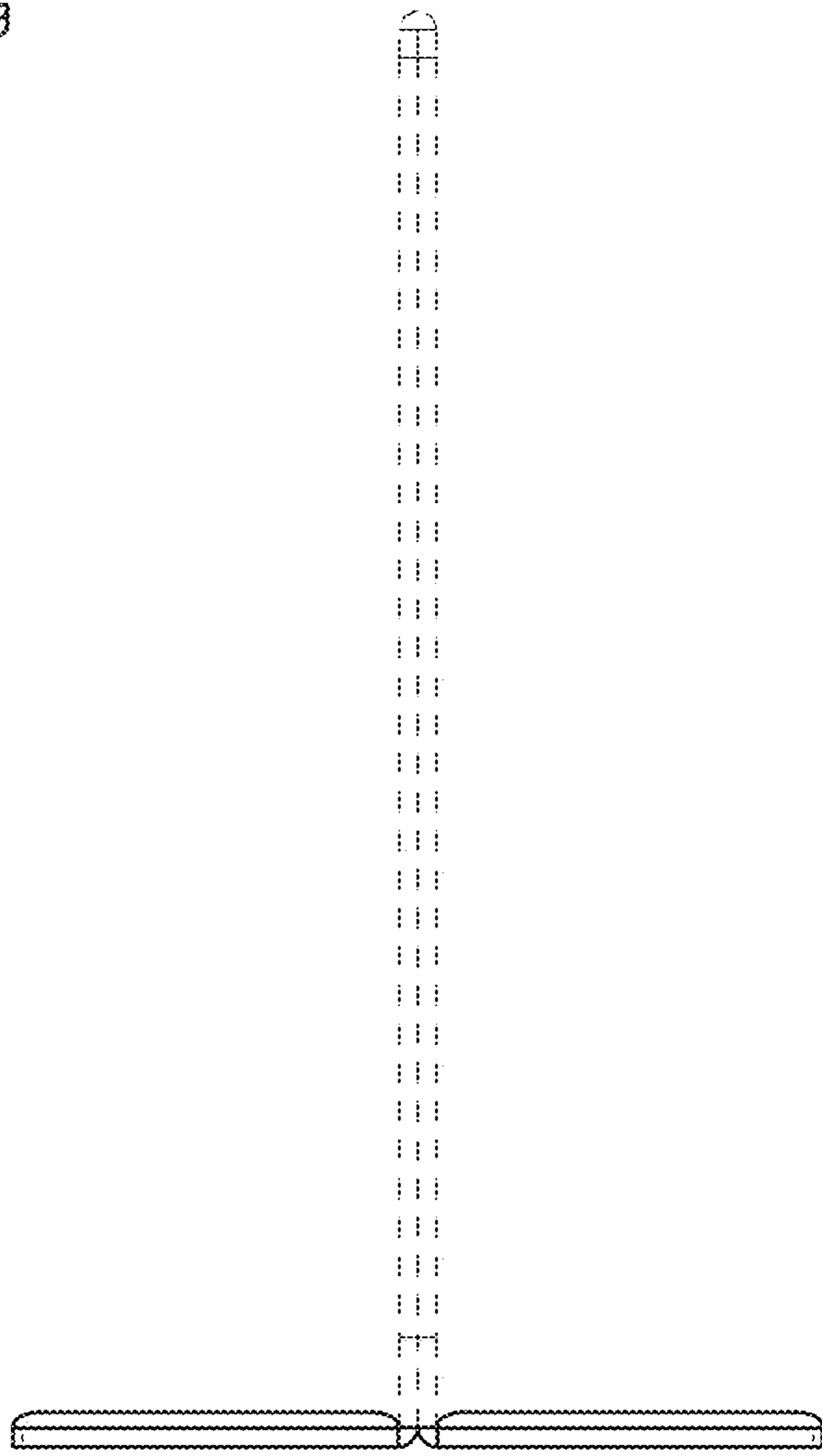


FIG. 7



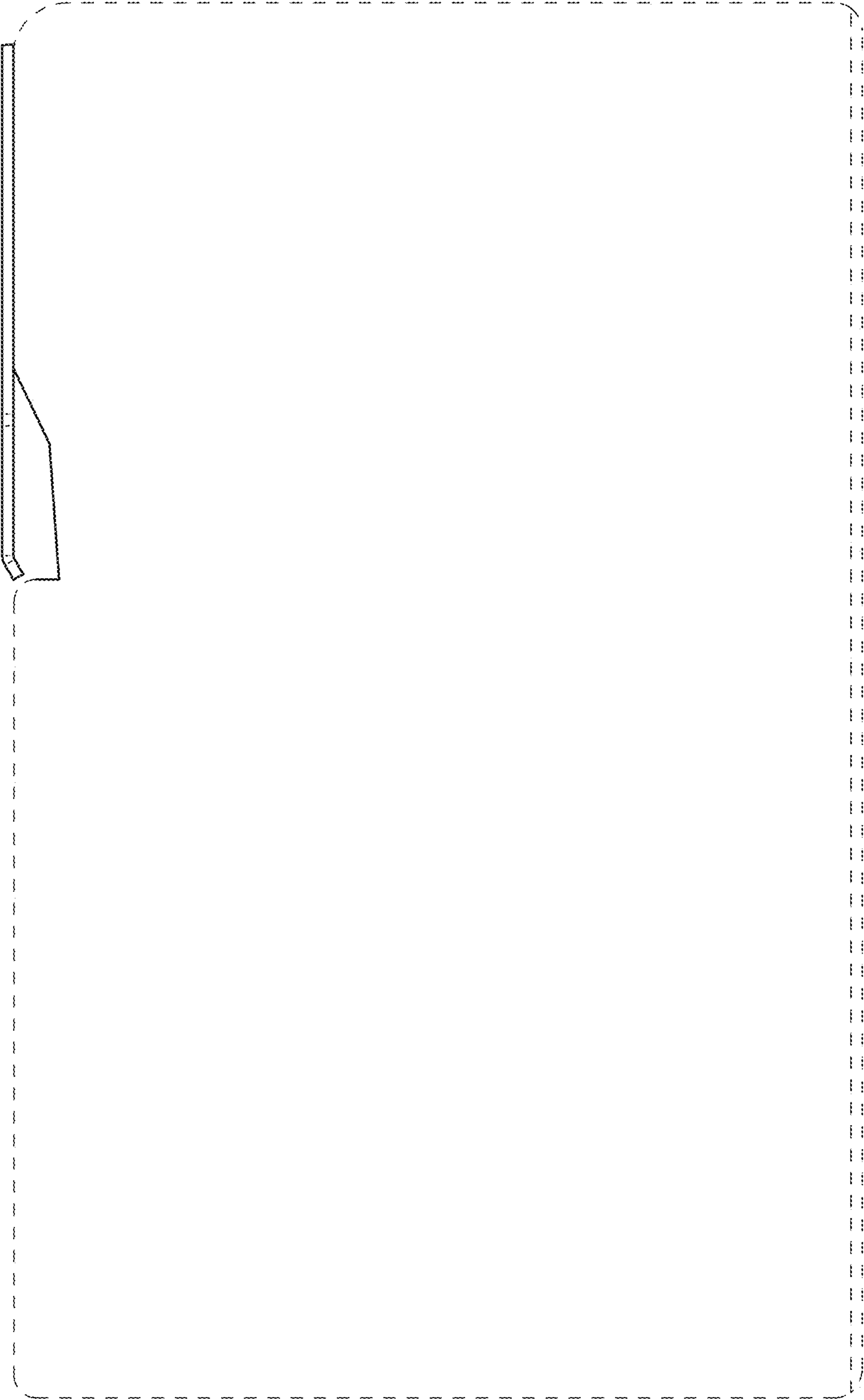


FIG. 8

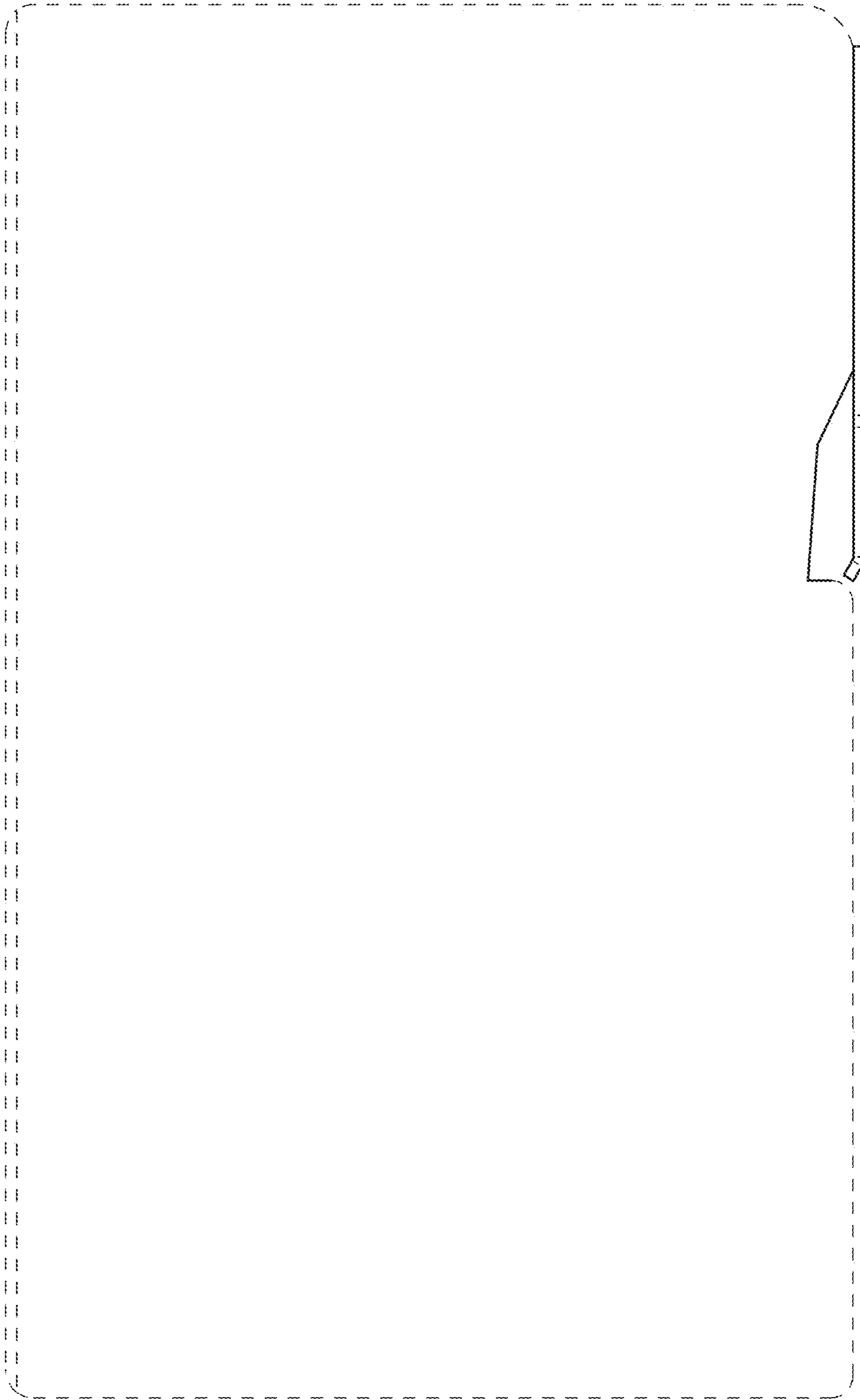


FIG. 9

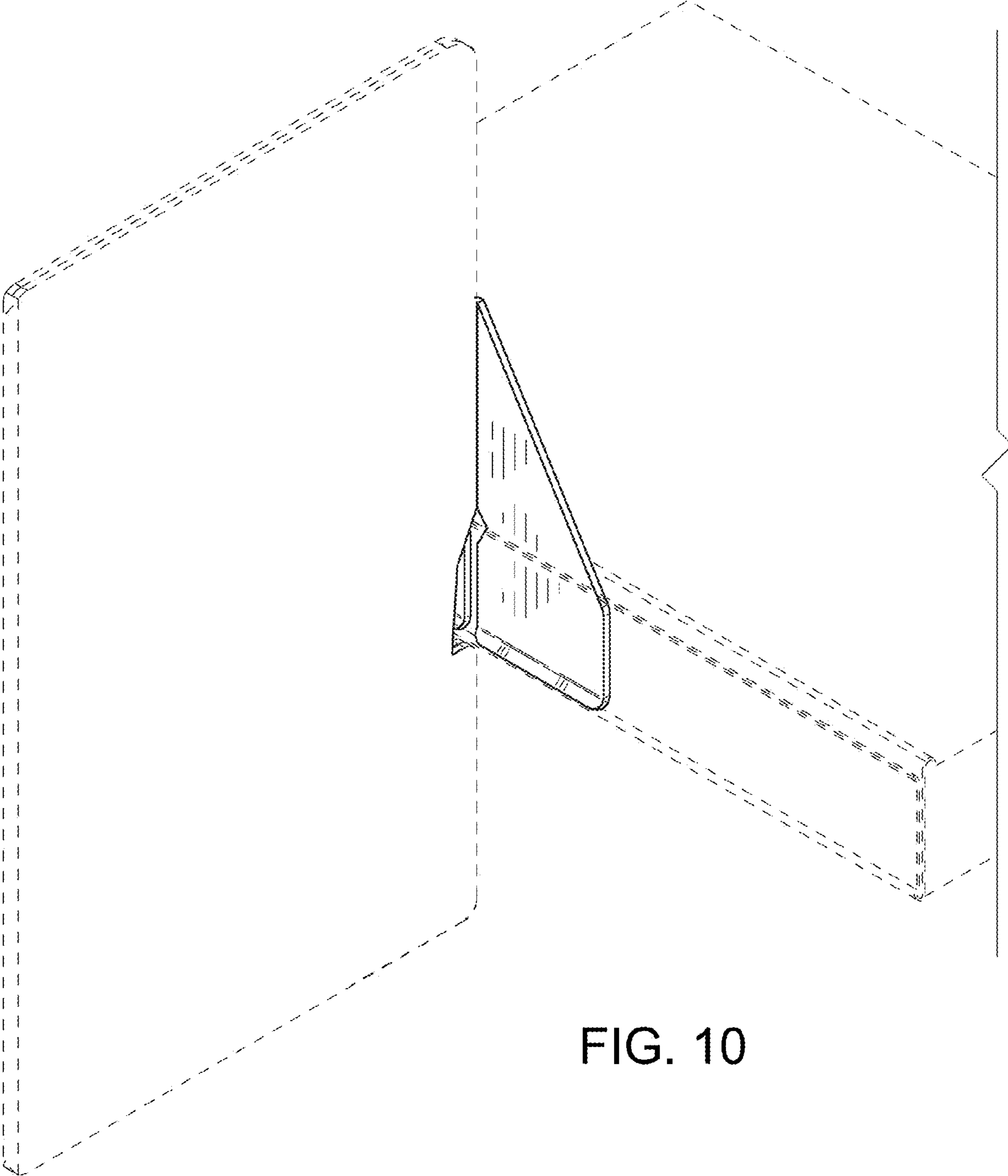


FIG. 10

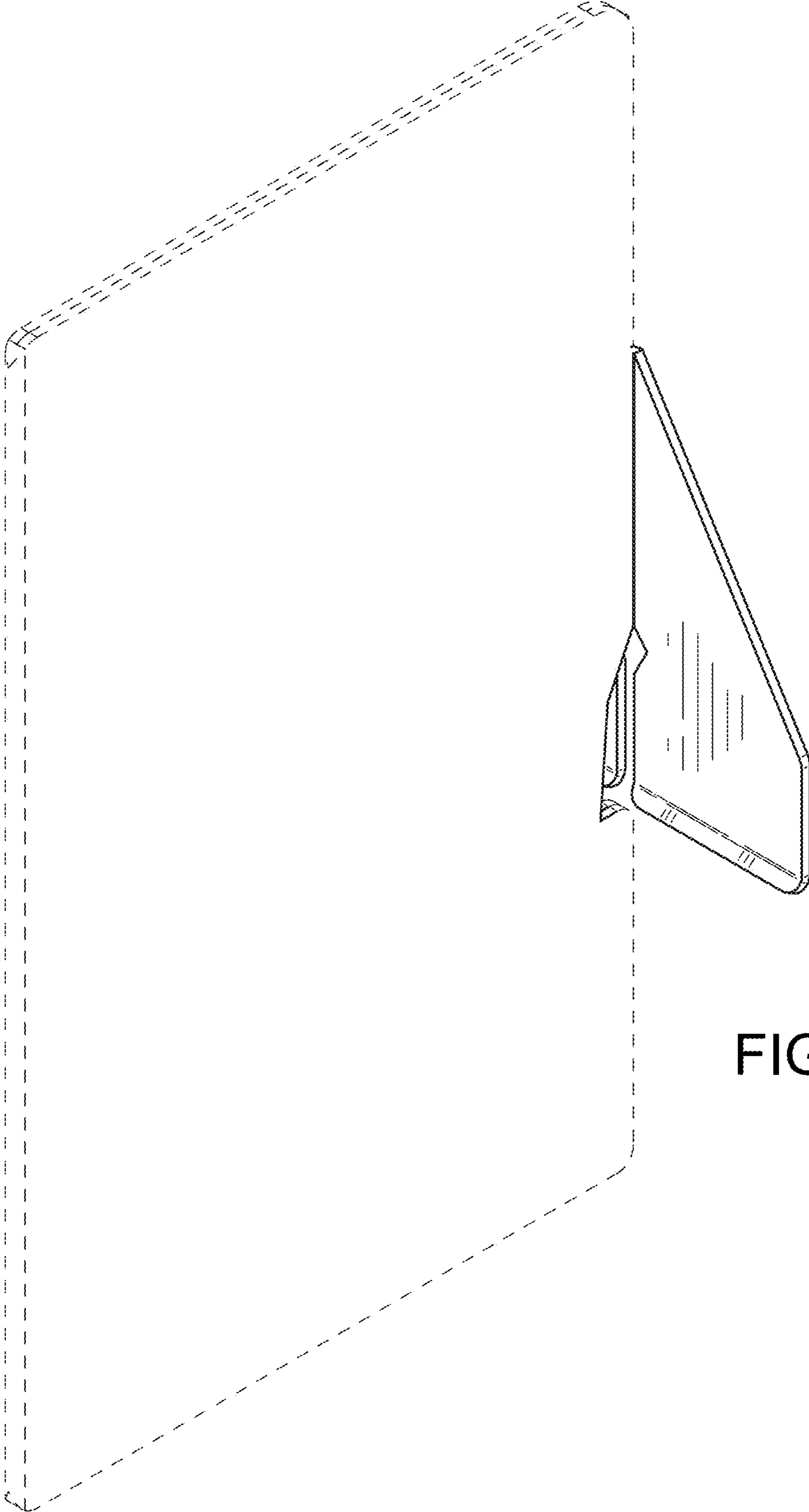


FIG. 11

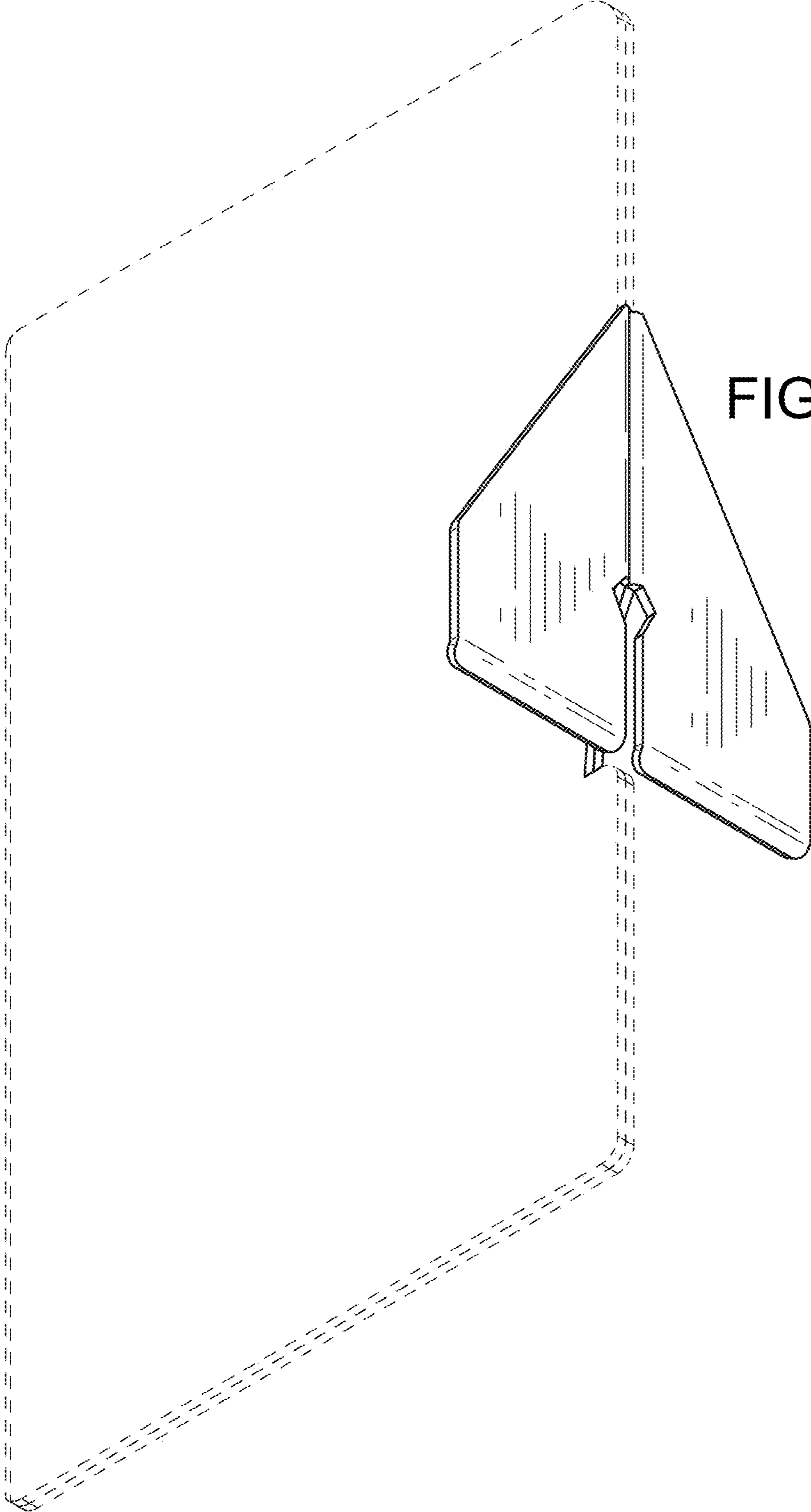


FIG. 12

FIG. 13

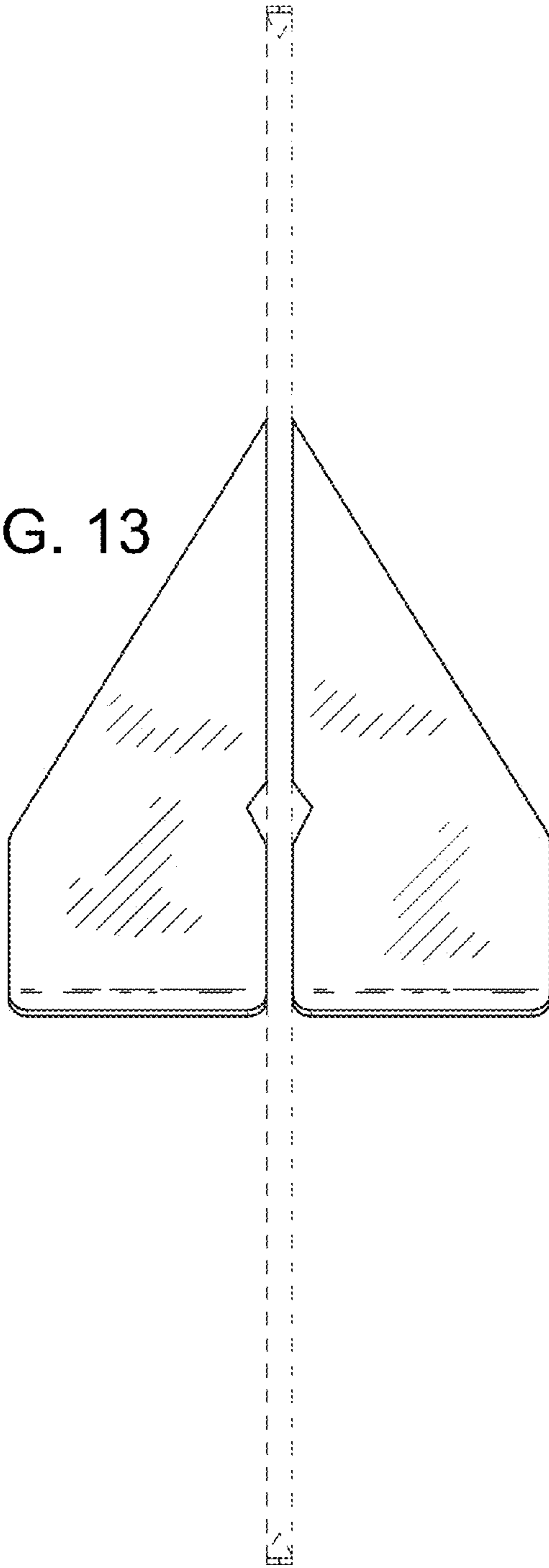


FIG. 14

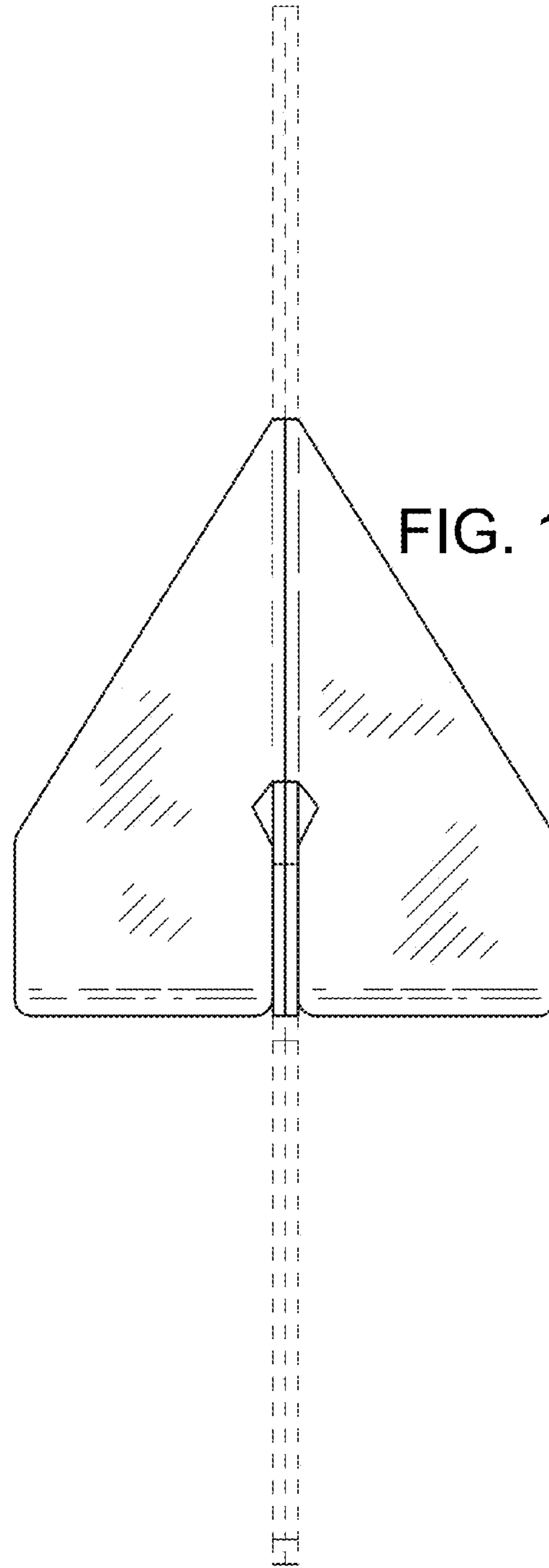


FIG. 15

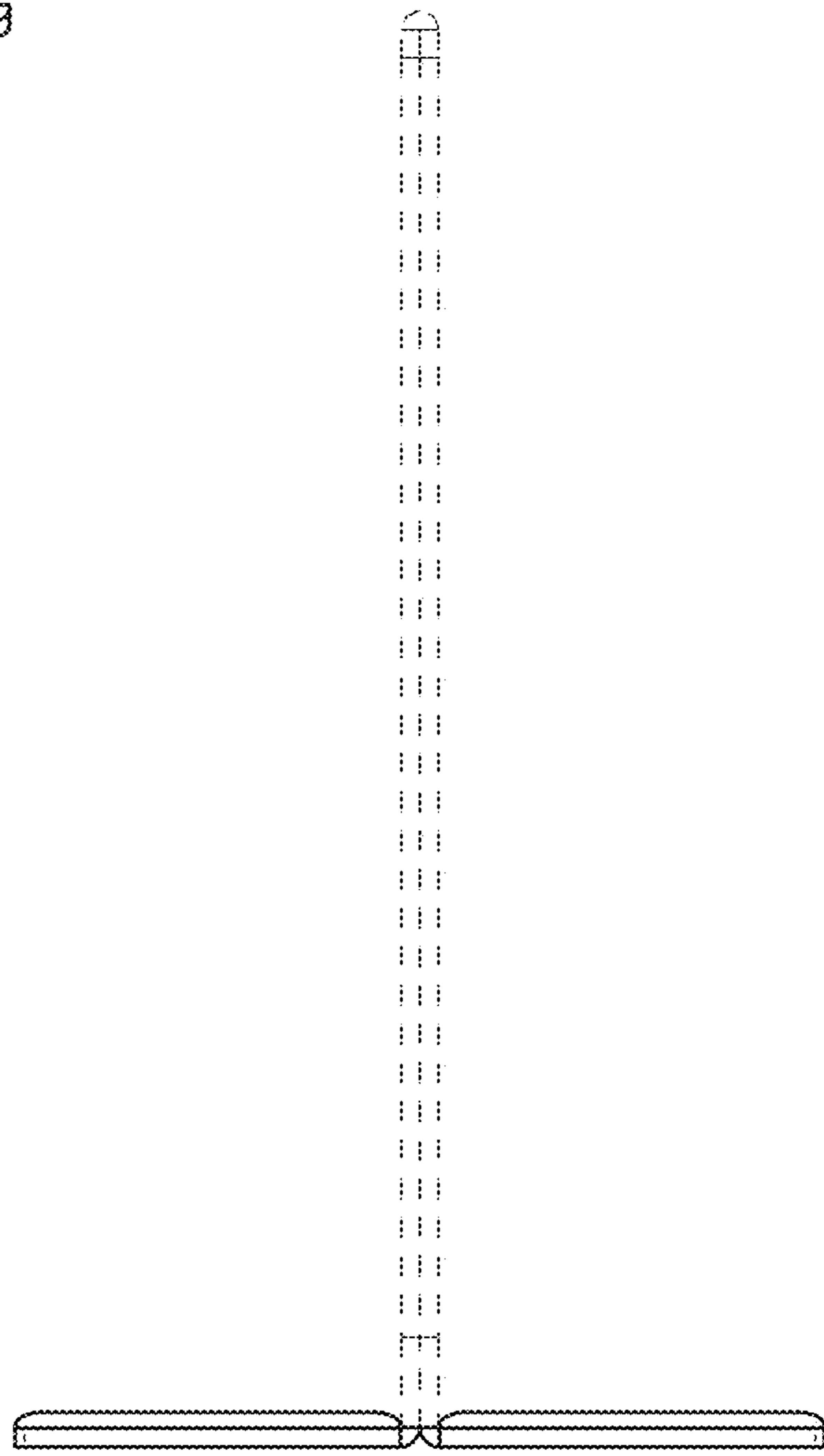
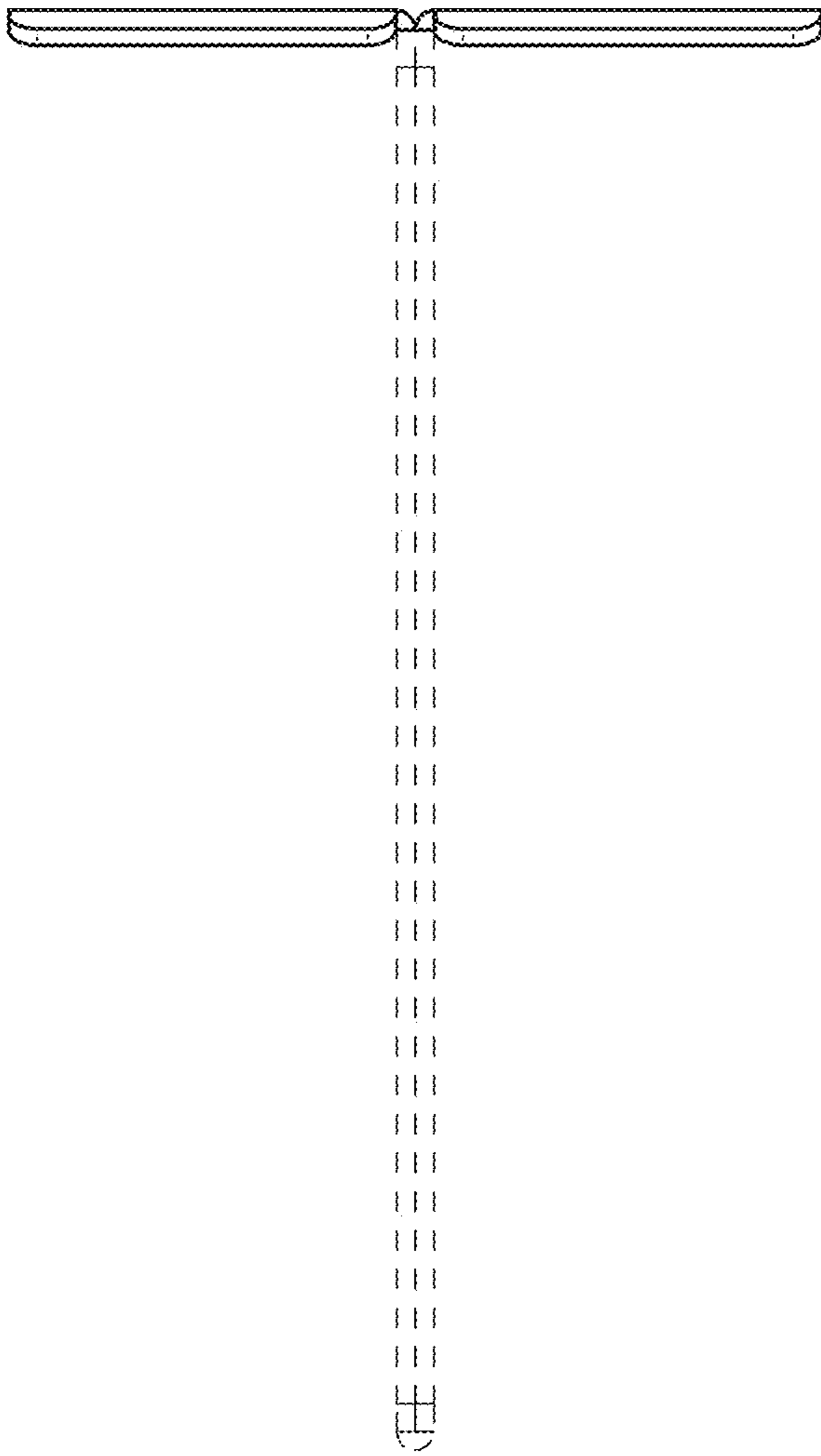


FIG. 16

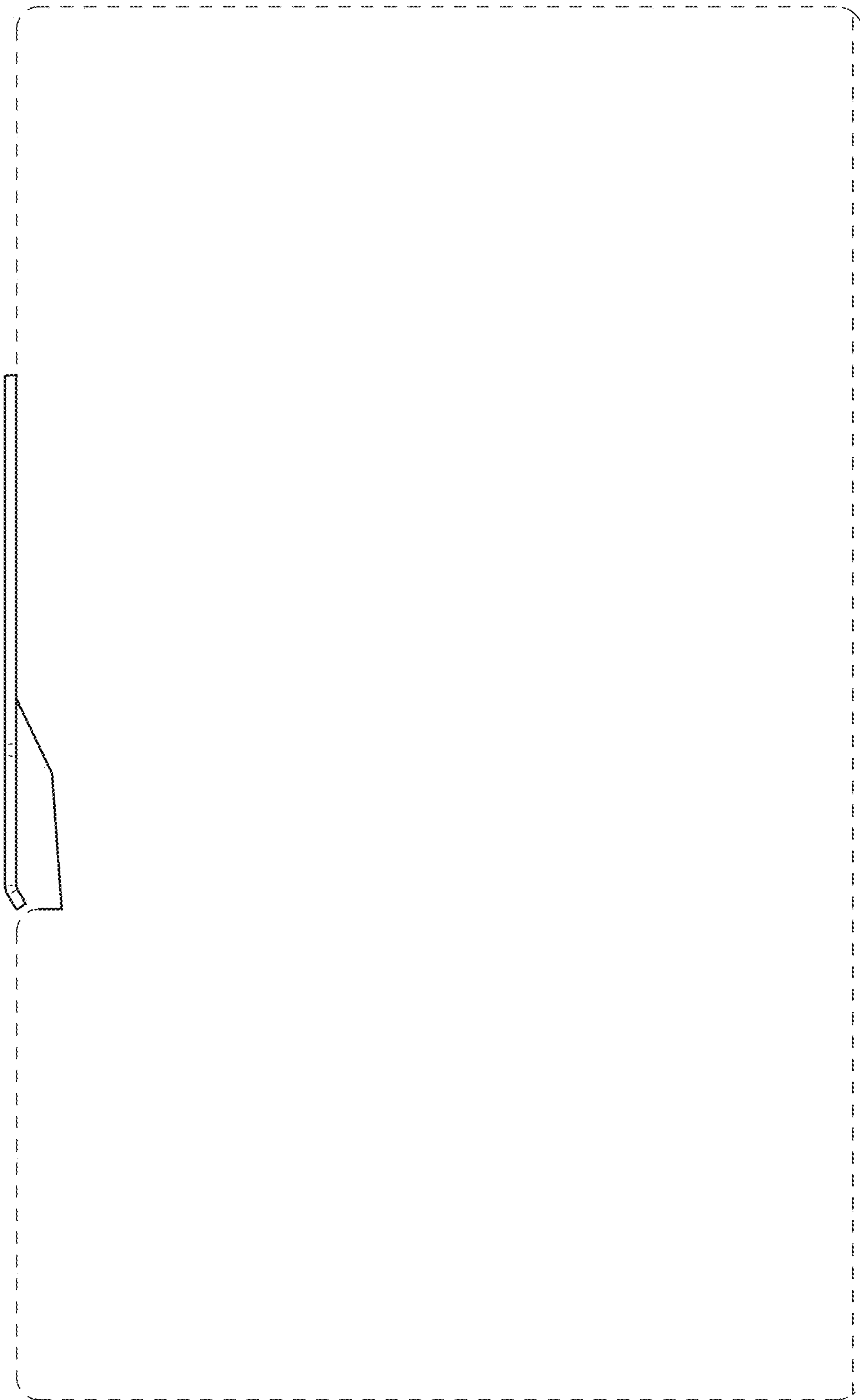


FIG. 17

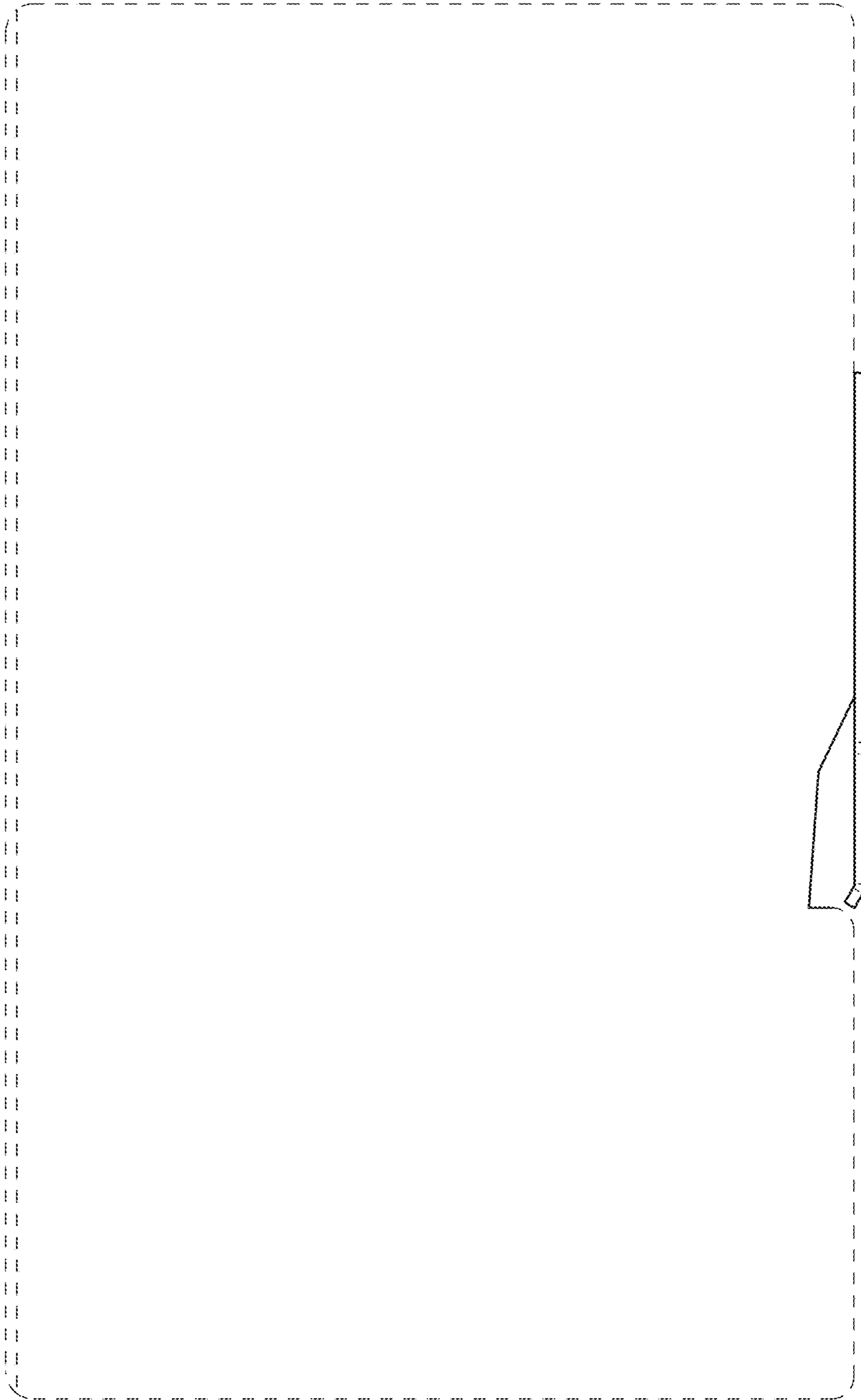


FIG. 18

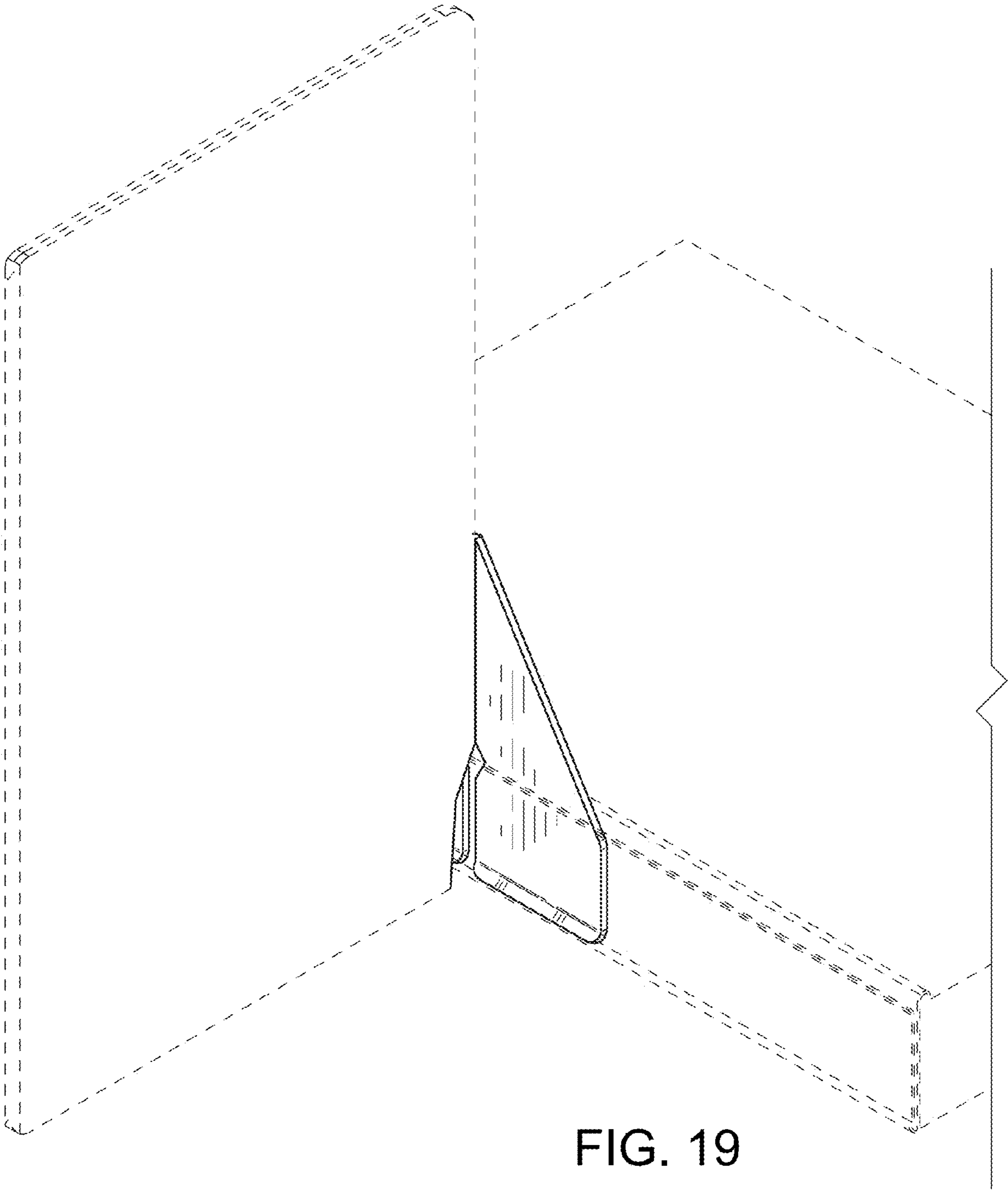


FIG. 19

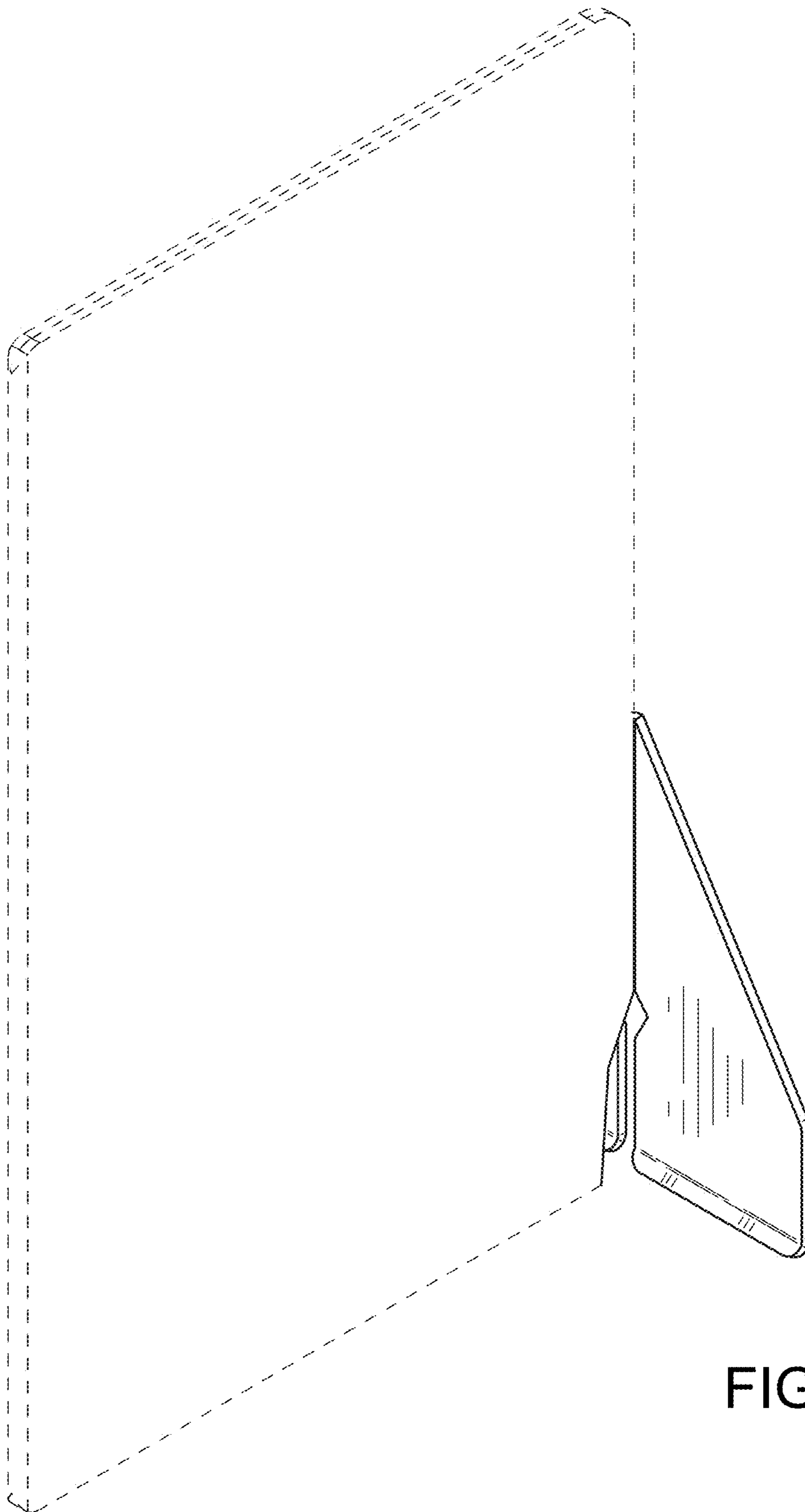


FIG. 20

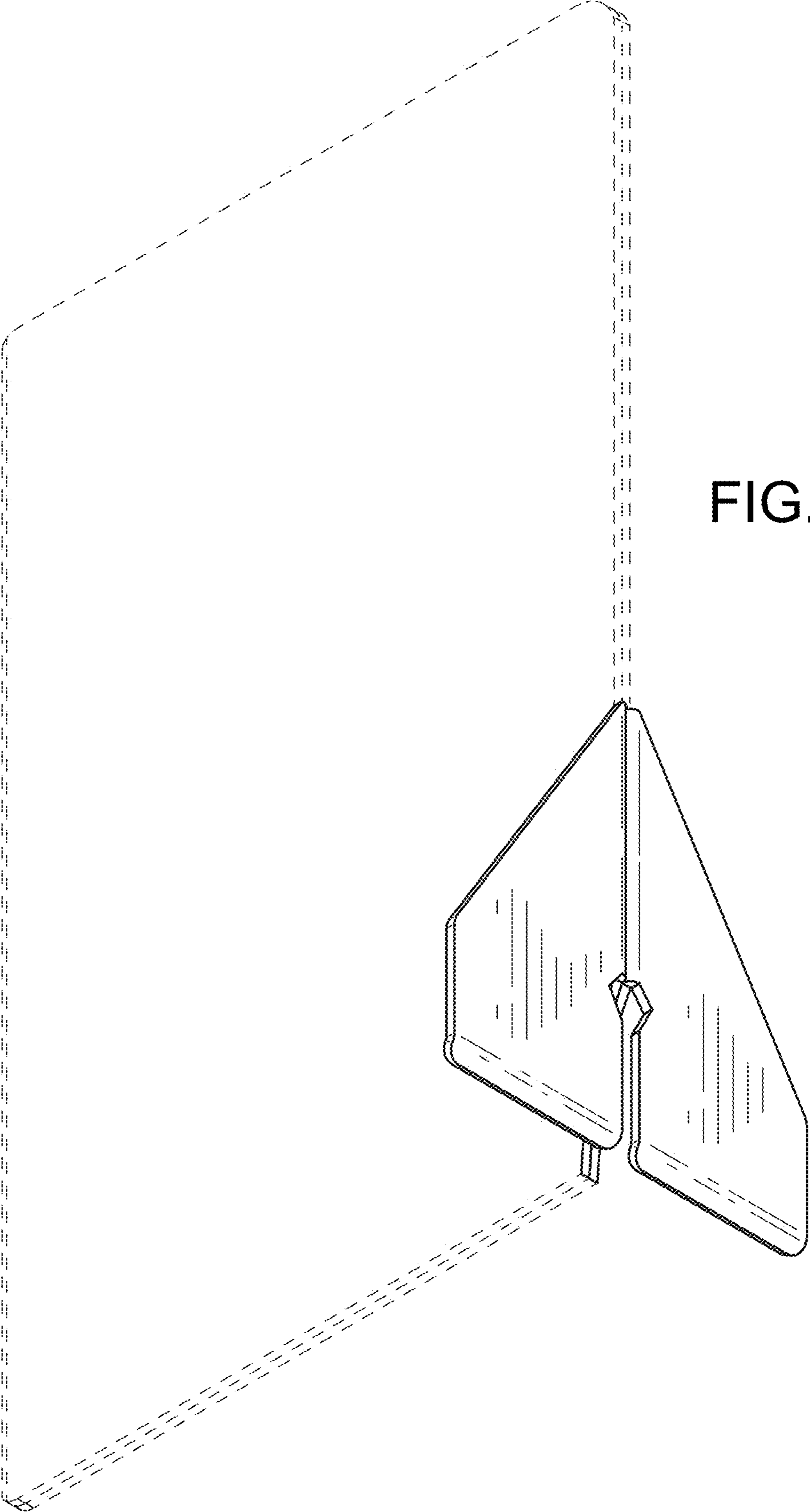


FIG. 21

FIG. 22

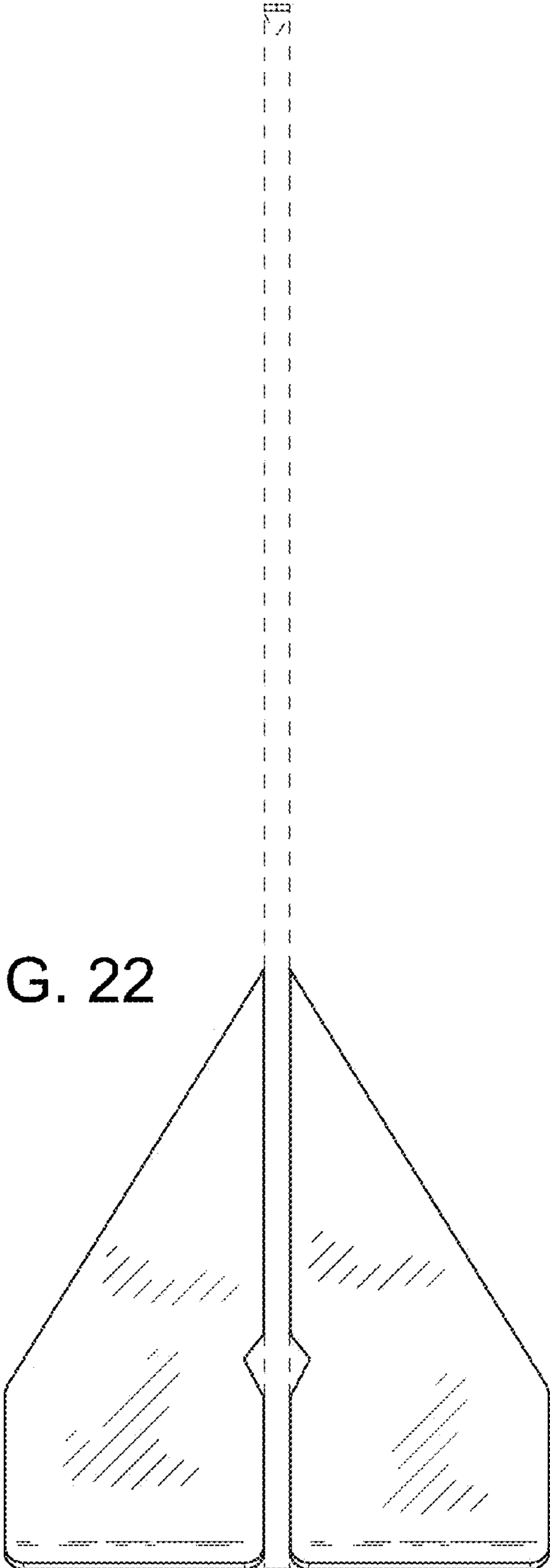


FIG. 23

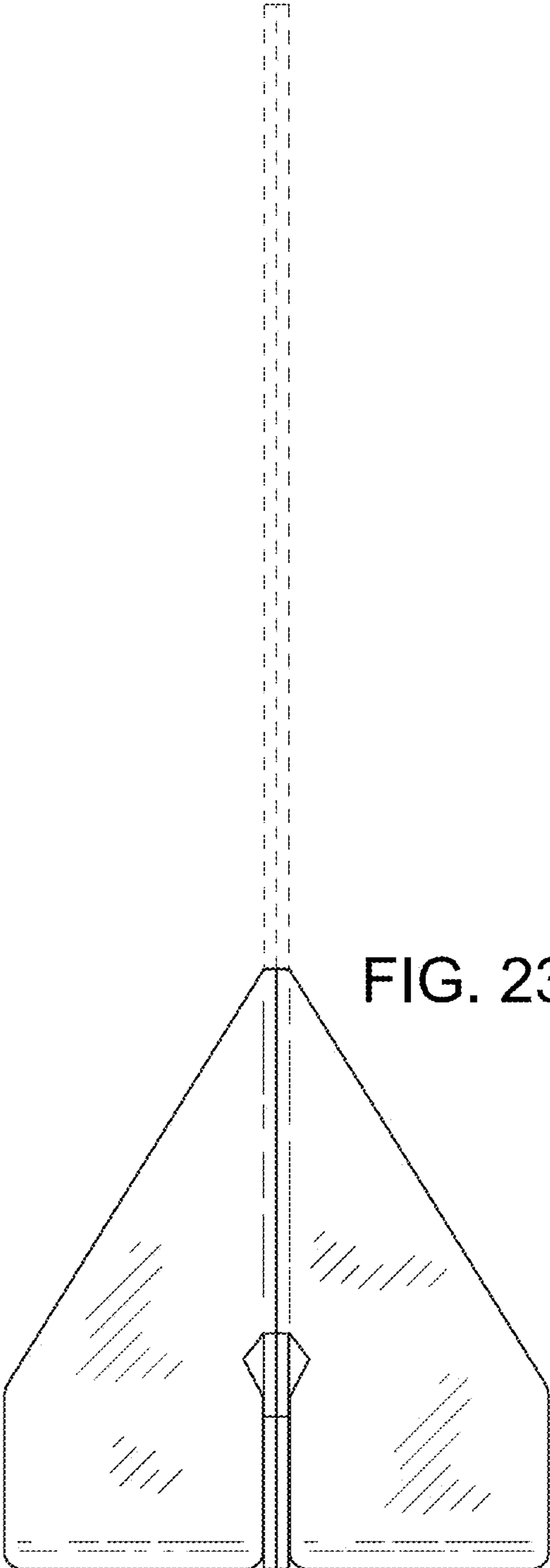


FIG. 24

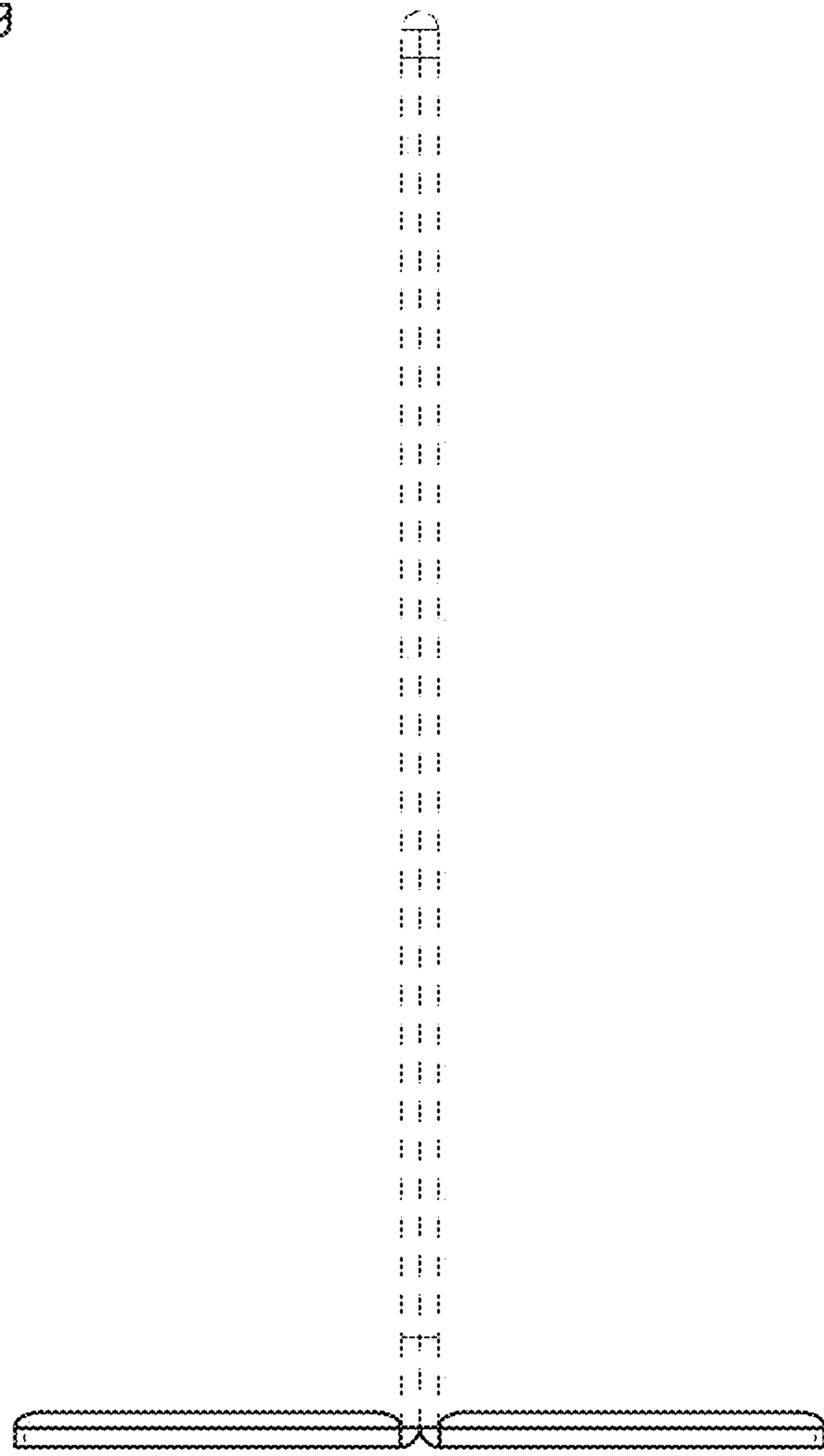
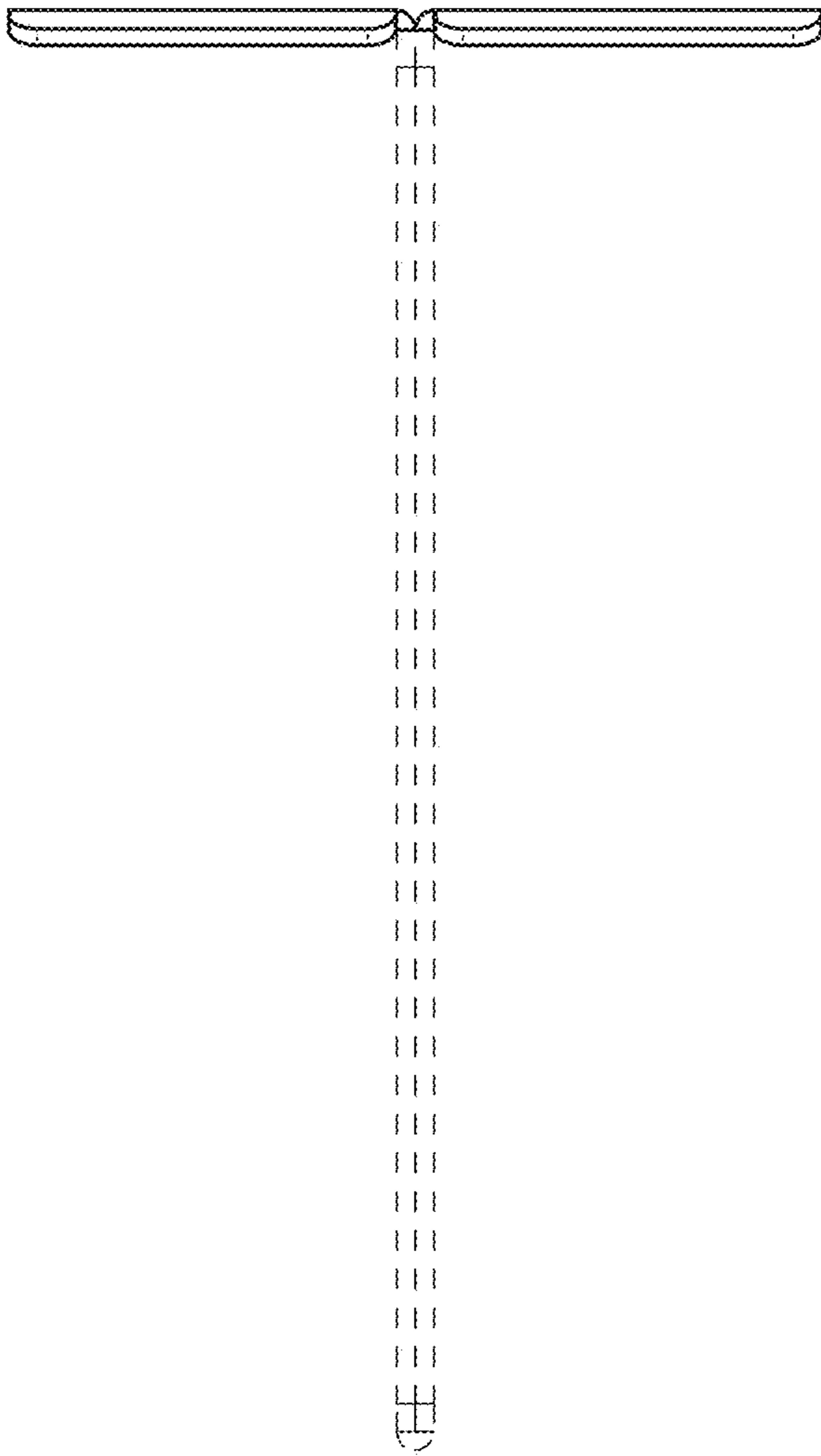


FIG. 25

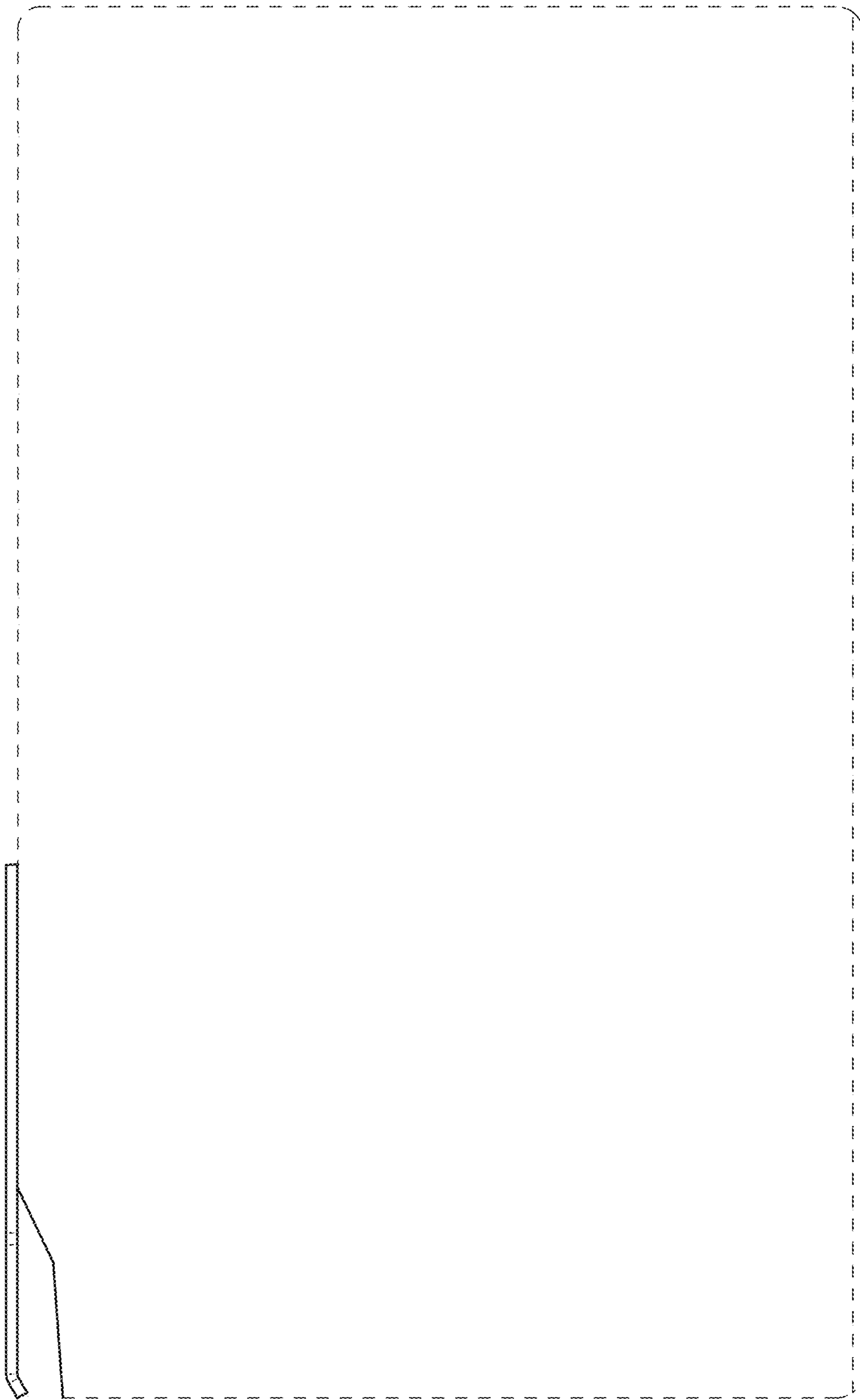


FIG. 26

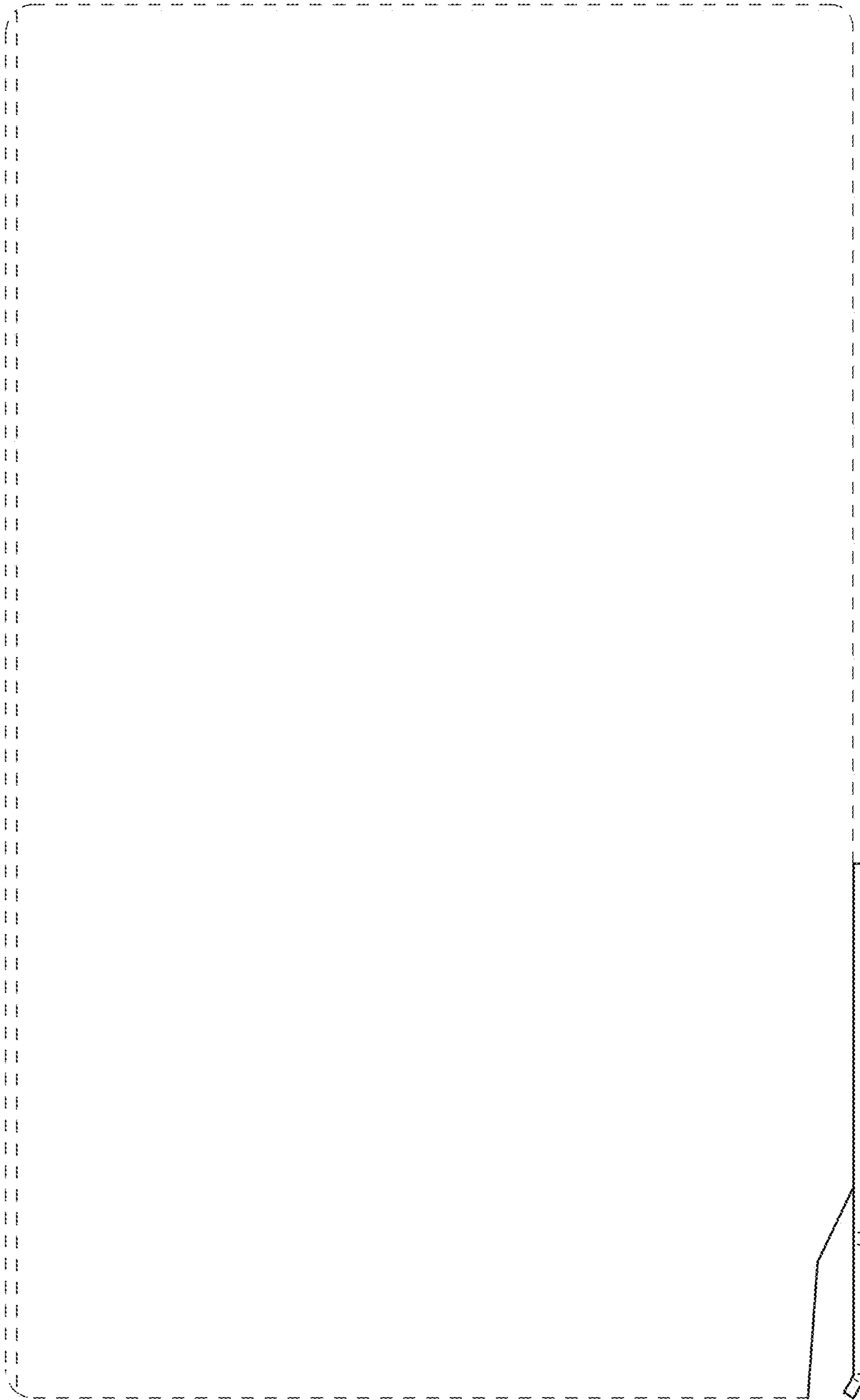


FIG. 27