



US00D960981S

(12) **United States Design Patent** (10) **Patent No.:** **US D960,981 S**  
**Larsen et al.** (45) **Date of Patent:** **\*\* Aug. 16, 2022**

(54) **DISPLAY FIXTURE**

1/06; G09F 1/14; G09F 2003/0208; G09F  
7/02; G09F 7/14; G09F 7/165; G09F  
13/06; G09F

(71) Applicant: **TARGET BRANDS, INC.**,  
Minneapolis, MN (US)

(Continued)

(72) Inventors: **Selina Larsen**, Duluth, MN (US); **Dan  
Smith**, La Grange Park, IL (US);  
**Witold Nowak**, Harwood Heights, IL  
(US); **Carla Fahden**, Minneapolis, MN  
(US); **Chad Olson**, Minneapolis, MN  
(US)

(56)

**References Cited**

U.S. PATENT DOCUMENTS

306,963 A 10/1884 Schellinger  
814,344 A 3/1906 Bacon

(Continued)

(73) Assignee: **Target Brands, Inc.**, Minneapolis, MN  
(US)

OTHER PUBLICATIONS

“Cable Suspension Systems”, printed from [www.griplocksyste.ms.com/product-category/signage](http://www.griplocksyste.ms.com/product-category/signage), publicly available at least as early as Oct. 21, 2016, per <http://web.archive.org> (4 pages).

(Continued)

(\*\*) Term: **15 Years**

*Primary Examiner* — Mary Ann Calabrese

*Assistant Examiner* — Catherine Ho

(21) Appl. No.: **29/779,460**

(74) *Attorney, Agent, or Firm* — Griffiths & Seaton

PLLC; JoAnn M. Seaton

(22) Filed: **Apr. 19, 2021**

**Related U.S. Application Data**

(62) Division of application No. 29/688,023, filed on Apr.  
17, 2019, now Pat. No. Des. 919,706.

(51) **LOC (13) Cl.** ..... **20-02**

(52) **U.S. Cl.**  
USPC ..... **D20/42**

(58) **Field of Classification Search**

USPC ..... D6/300, 310, 311, 312, 313, 314, 672,  
D6/675, 675.1, 675.3, 675.4, 681;  
D10/46, 46.1, 104.1, 104.2, 109.1, 109.2,  
D10/113.4, 114.1; D19/20, 65, 75, 84,  
D19/90, 91; D20/10, 11, 12, 22-42, 99;  
D25/109, 118, 119, 138, 149, 156, 157,  
D25/160

CPC ..... A47B 23/042; A47B 23/043; A47F 5/10;  
A47F 5/11; A47F 5/112; A47F 5/0846;  
A47F 11/02; A47F 5/105; A47F 7/0042;  
A47F 5/0006; A47F 5/0876; A47F  
5/0884; A47F 5/0892; B65D 5/522; B65D  
5/44; B65D 5/52; B65D 5/5206; G09F

(57)

**CLAIM**

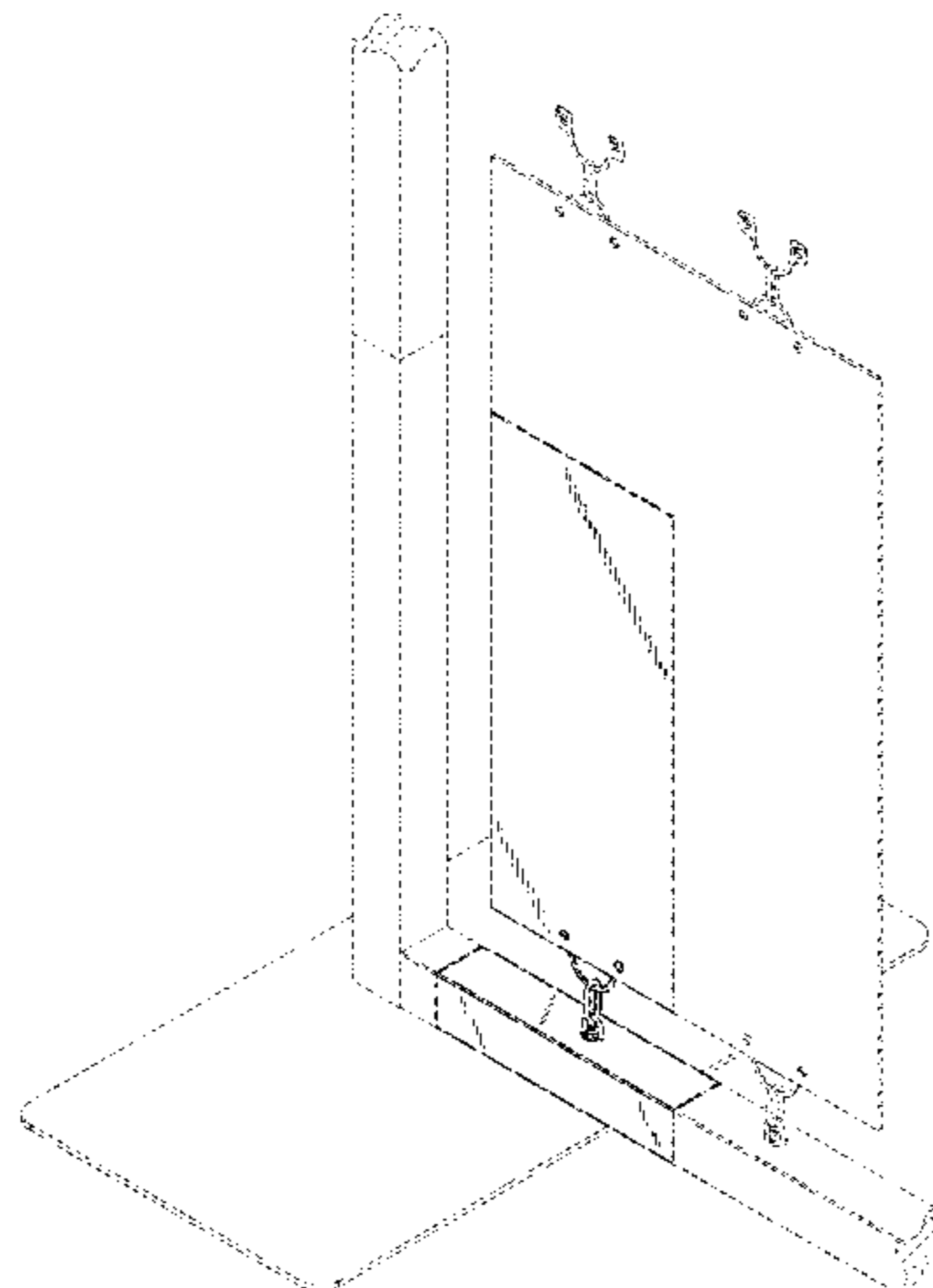
The ornamental design for a display fixture, as shown and described.

**DESCRIPTION**

FIG. 1 is a top and front perspective view of a display fixture, showing our new design;  
FIG. 2 is a front view thereof;  
FIG. 3 is a rear view thereof;  
FIG. 4 is a right side view thereof;  
FIG. 5 is a left view thereof; and  
FIG. 6 is a top view thereof; and,  
FIG. 7 is a bottom view thereof.

In the drawings, the broken lines depict unclaimed subject matter only. The bolded long dash-short dash broken lines

(Continued)



indicate the bounds of the claimed design and otherwise form no part of the claimed design.

**1 Claim, 7 Drawing Sheets**

**(58) Field of Classification Search**

CPC .... 13/16; G09F 19/08; G09F 2019/081; G09F 2019/083; G09F 2019/085; G09F 2019/086; G09F 2019/088; G09F 2007/186

See application file for complete search history.

**(56) References Cited**

U.S. PATENT DOCUMENTS

2,085,097 A 6/1937 Hansen  
 D165,261 S 11/1951 Barry  
 3,633,253 A 1/1972 Ellis  
 4,113,216 A \* 9/1978 Fuse ..... G09F 7/002  
 248/573  
 4,127,196 A 11/1978 Boucher  
 4,916,840 A 4/1990 Getz  
 D312,262 S 11/1990 Allon  
 D318,194 S \* 7/1991 Terrell ..... D6/681.2  
 D319,934 S \* 9/1991 Terrell ..... D6/675.1  
 5,048,254 A \* 9/1991 Merlau ..... E04F 13/0816  
 52/510  
 6,027,192 A \* 2/2000 Irace ..... A47B 96/021  
 312/263  
 6,029,831 A \* 2/2000 Miller ..... G09F 15/0068  
 52/584.1  
 6,029,833 A \* 2/2000 Yeh ..... A47F 7/19  
 211/187  
 D434,806 S 12/2000 Justen et al.  
 D434,807 S 12/2000 Justen et al.  
 6,634,610 B1 \* 10/2003 Ricci ..... G09F 7/18  
 242/380  
 6,820,853 B1 \* 11/2004 DuBarry ..... A47G 1/1686  
 248/495  
 D552,182 S 10/2007 Sparkowski  
 D554,919 S \* 11/2007 Clark ..... D6/702  
 D598,576 S 8/2009 Henriquez  
 D599,408 S 9/2009 Wormser  
 D600,945 S 9/2009 Kelsen  
 D602,713 S 10/2009 Stukenberg  
 D608,830 S \* 1/2010 Taylor ..... D20/10  
 D608,831 S 1/2010 Taylor et al.  
 7,805,904 B2 10/2010 Clark et al.  
 7,810,658 B2 \* 10/2010 Clark ..... A47F 5/137  
 211/189  
 7,895,784 B1 3/2011 Clark et al.  
 D662,992 S 7/2012 Hernandez  
 8,641,007 B2 \* 2/2014 Chen ..... F16M 11/048  
 248/458

8,646,197 B2 2/2014 Clark et al.  
 8,783,476 B2 \* 7/2014 Woodley ..... A47F 5/105  
 211/183  
 D729,548 S \* 5/2015 Denby ..... D6/672  
 9,076,353 B1 7/2015 Delaney, Jr.  
 D742,732 S 11/2015 Vinsonhaler  
 D743,191 S \* 11/2015 Clark ..... D6/675  
 D743,489 S \* 11/2015 Vickers ..... D20/42  
 9,232,865 B2 1/2016 Trinh et al.  
 D749,676 S 2/2016 Clark  
 9,315,986 B2 \* 4/2016 Oliveira ..... E04B 2/761  
 D767,926 S 10/2016 Denby  
 9,978,295 B1 5/2018 Denby et al.  
 10,264,882 B1 4/2019 Lai  
 10,448,755 B1 \* 10/2019 McDowell ..... A47F 5/0018  
 D880,800 S 4/2020 Edgerton et al.  
 10,634,985 B2 4/2020 Yu et al.  
 D894,647 S 9/2020 Erebia  
 D909,102 S \* 2/2021 Davis ..... D6/675.1  
 D913,529 S \* 3/2021 Marshall ..... D25/138  
 D916,536 S \* 4/2021 Pedersen ..... D6/672  
 D919,706 S \* 5/2021 Larsen ..... D20/42  
 D921,226 S \* 6/2021 Barnds ..... D25/138  
 D921,759 S \* 6/2021 Larsen ..... D20/42  
 D922,107 S \* 6/2021 Theisen ..... D6/672  
 D922,108 S \* 6/2021 McDowell ..... D6/672  
 D930,190 S \* 9/2021 Gunderson ..... D25/138  
 D930,406 S \* 9/2021 Li ..... D6/675.1  
 D943,294 S \* 2/2022 Pedersen ..... D6/332  
 D945,189 S \* 3/2022 Lei ..... D6/675.1  
 D947,583 S \* 4/2022 Li ..... D6/681.2  
 2002/0121034 A1 9/2002 Schmitt  
 2005/0160648 A1 \* 7/2005 Voluckas ..... G09F 17/00  
 40/617  
 2016/0275829 A1 \* 9/2016 White ..... G09F 15/025  
 2021/0112997 A1 \* 4/2021 Walton ..... A47F 1/12  
 2021/0251400 A1 \* 8/2021 Coan ..... A47F 5/0006

OTHER PUBLICATIONS

“Aisle Marker Signage for Store”, printed from [www.dgsretail.com/P1004/Aisle-Marker-Signage-for-Store-...?gclid=EAlalQobChMlxvruvOmk3glVFY\\_ICh0X9gdREAQYCCABEglfw\\_D\\_BwE](http://www.dgsretail.com/P1004/Aisle-Marker-Signage-for-Store-...?gclid=EAlalQobChMlxvruvOmk3glVFY_ICh0X9gdREAQYCCABEglfw_D_BwE), publicly available at least as early as Oct. 26, 2018 (10 pages).  
 “Floor-Standing Display Systems Freestyle Display Stands”, printed from [www.novadisplay.com/Display\\_Systems/free-style-display-stands.html](http://www.novadisplay.com/Display_Systems/free-style-display-stands.html), publicly available at least as early as Sep. 6, 2013, per <http://web.archive.org> (2 pages).  
 “Retail Aisle Signage End Cap Displays”, printed from [www.dgsretail.com/P1313/End-Cap-Aisle-Sign-for-Stores-Ma...n?gclid=EAlalQobChMlxvruvOmk3glVFY\\_ICh0X9gdREAQYAYABEgJpD\\_D\\_BwE](http://www.dgsretail.com/P1313/End-Cap-Aisle-Sign-for-Stores-Ma...n?gclid=EAlalQobChMlxvruvOmk3glVFY_ICh0X9gdREAQYAYABEgJpD_D_BwE), publicly available at least as early as Oct. 26, 2018 (9 pages).

\* cited by examiner

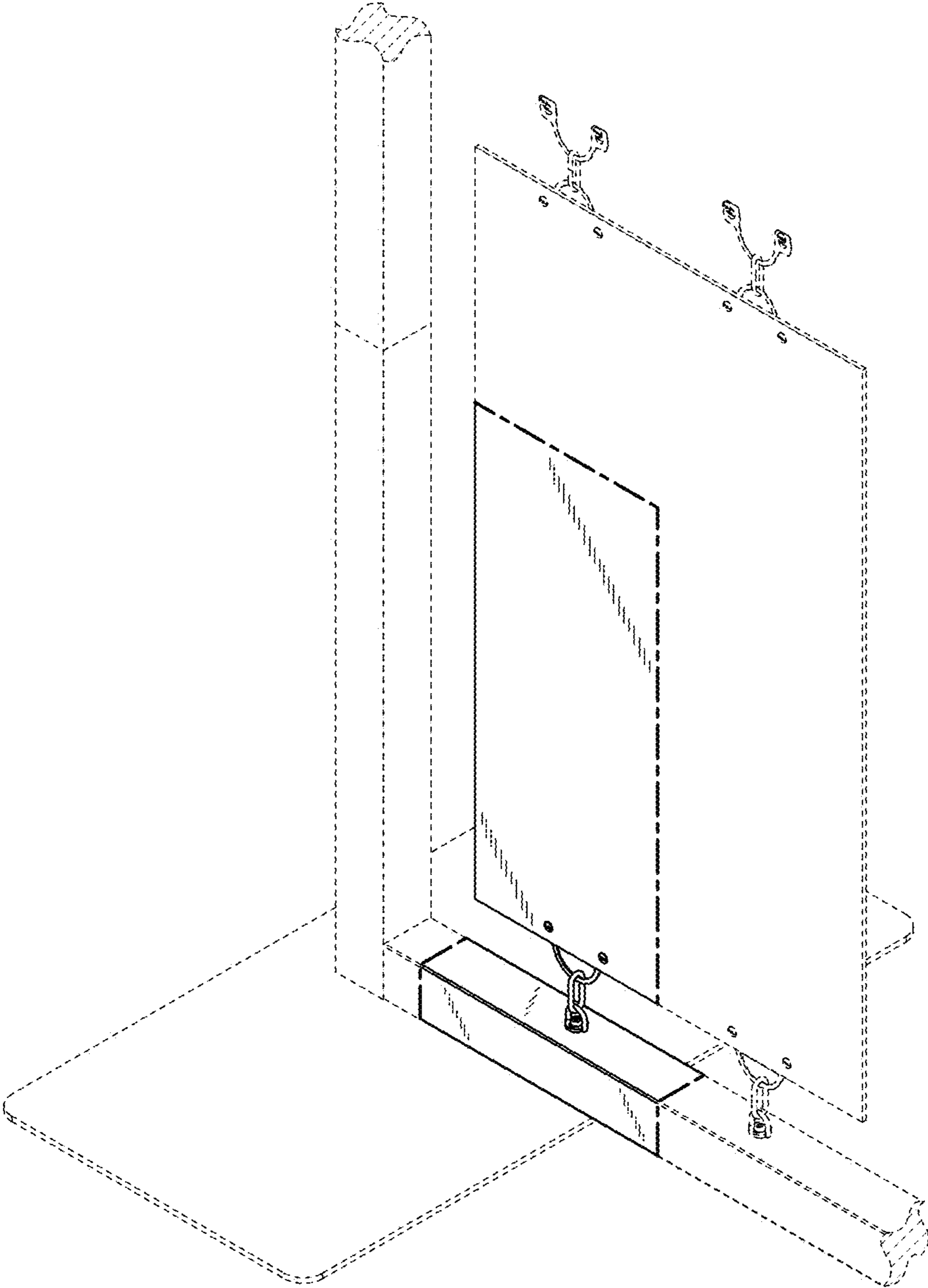


FIG. 1

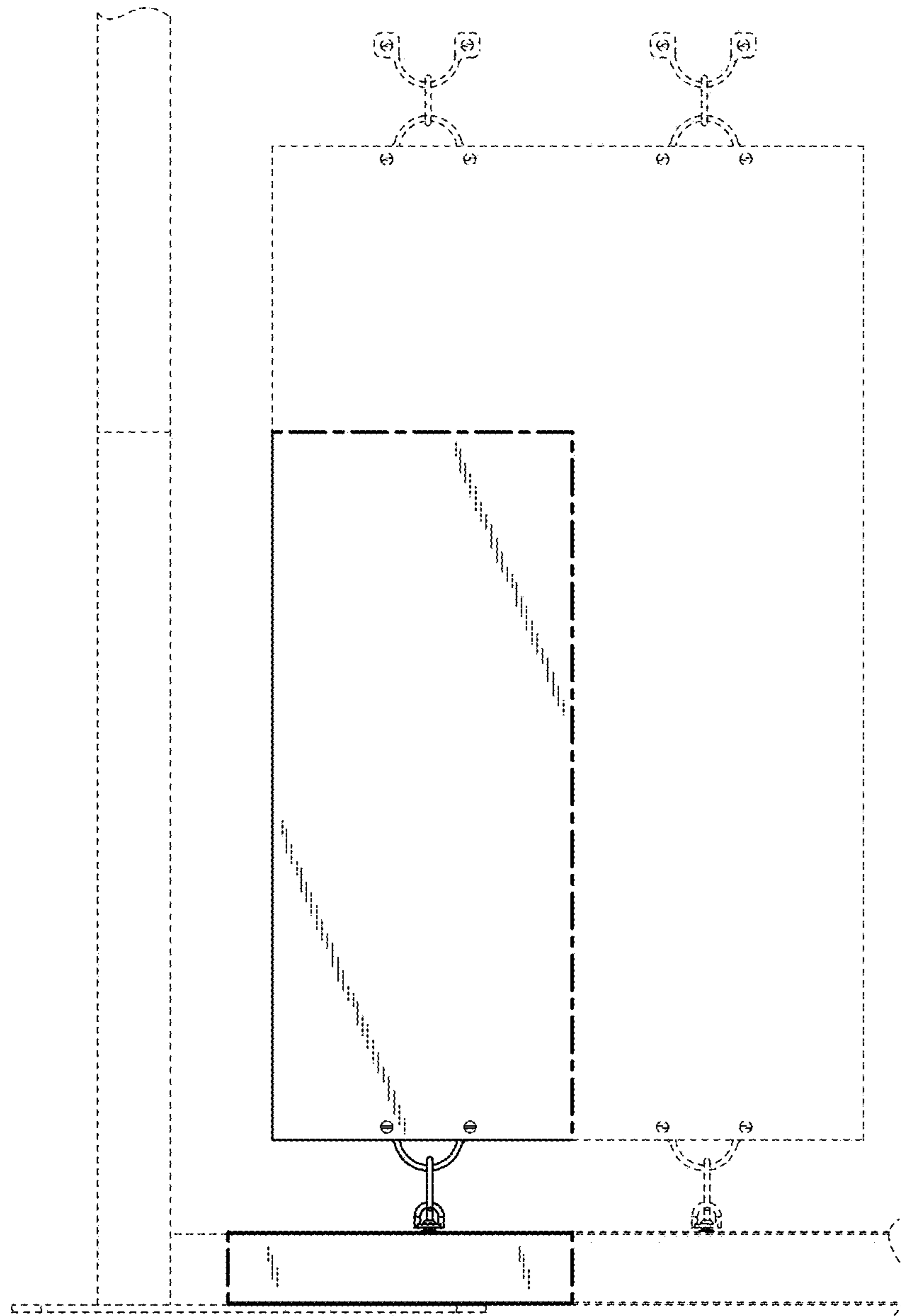


FIG. 2

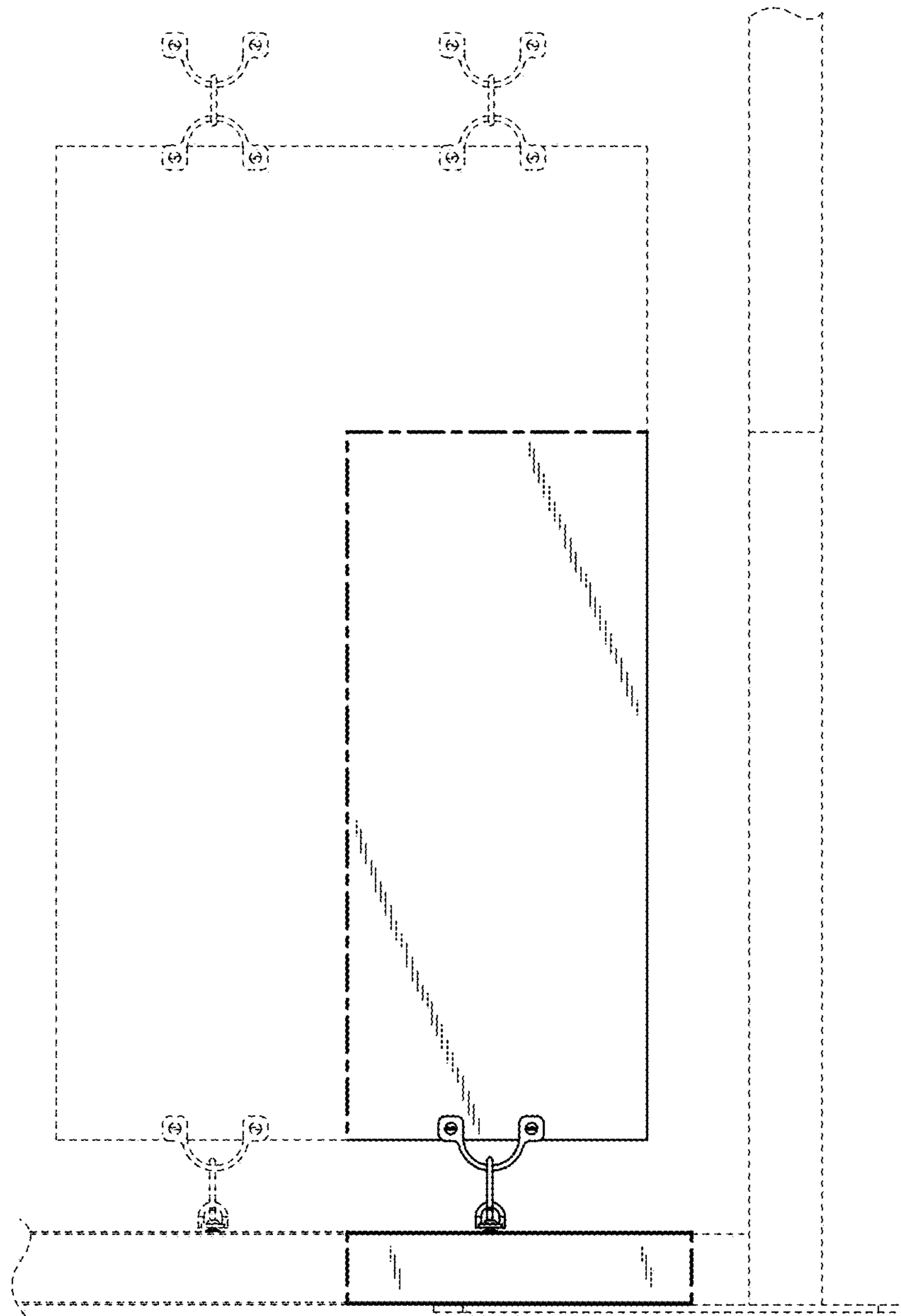


FIG. 3

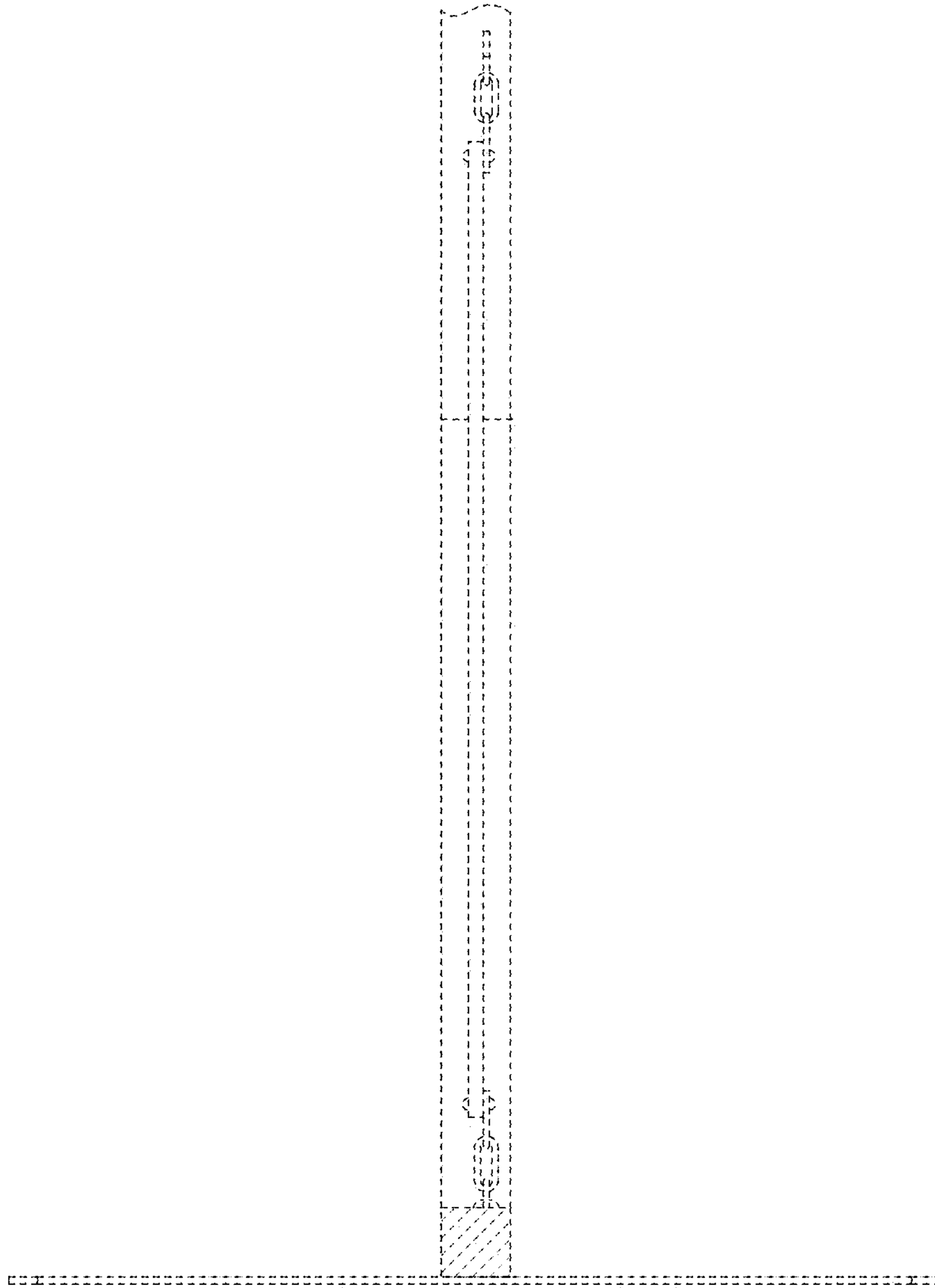


FIG. 4

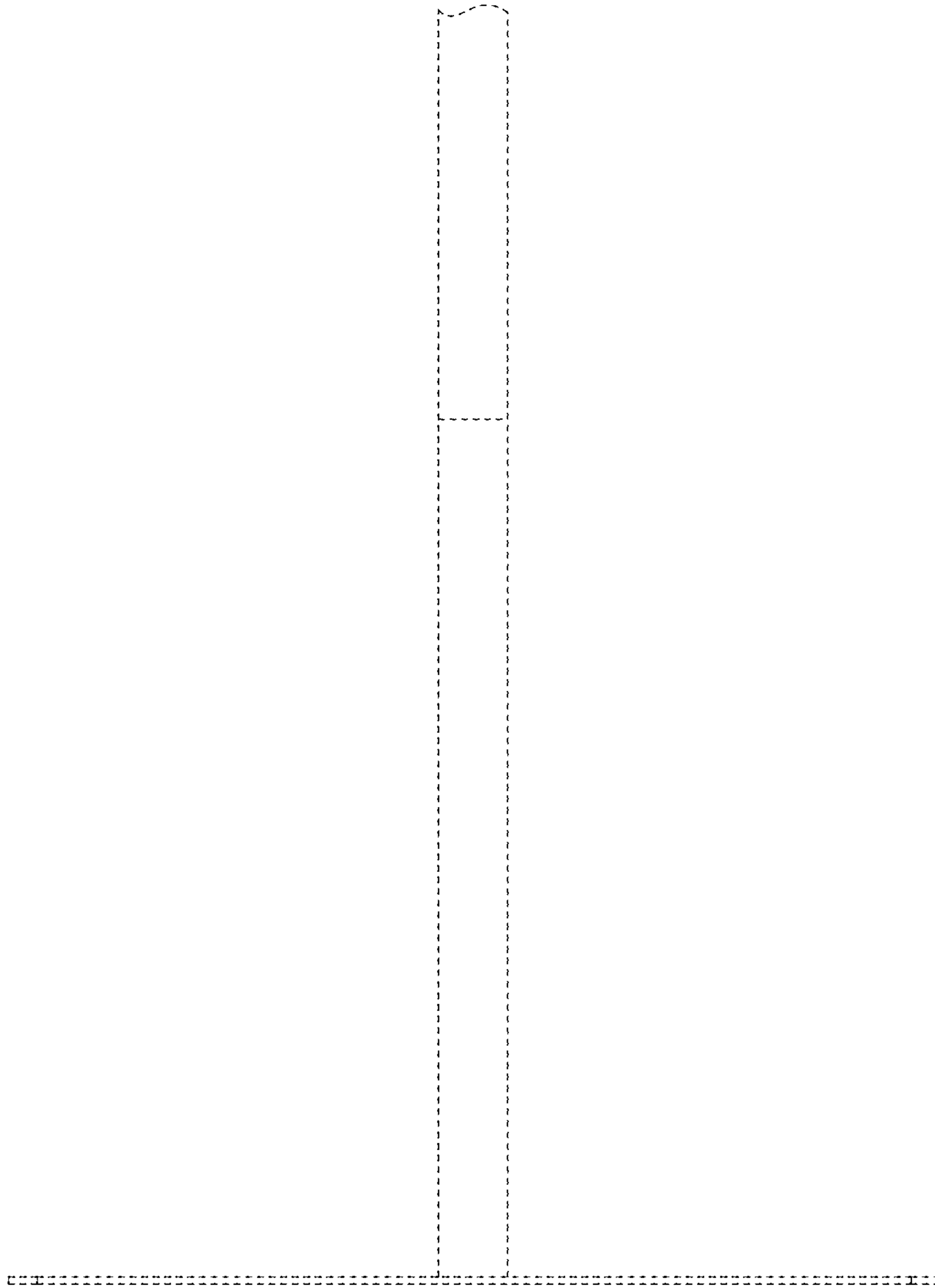


FIG. 5

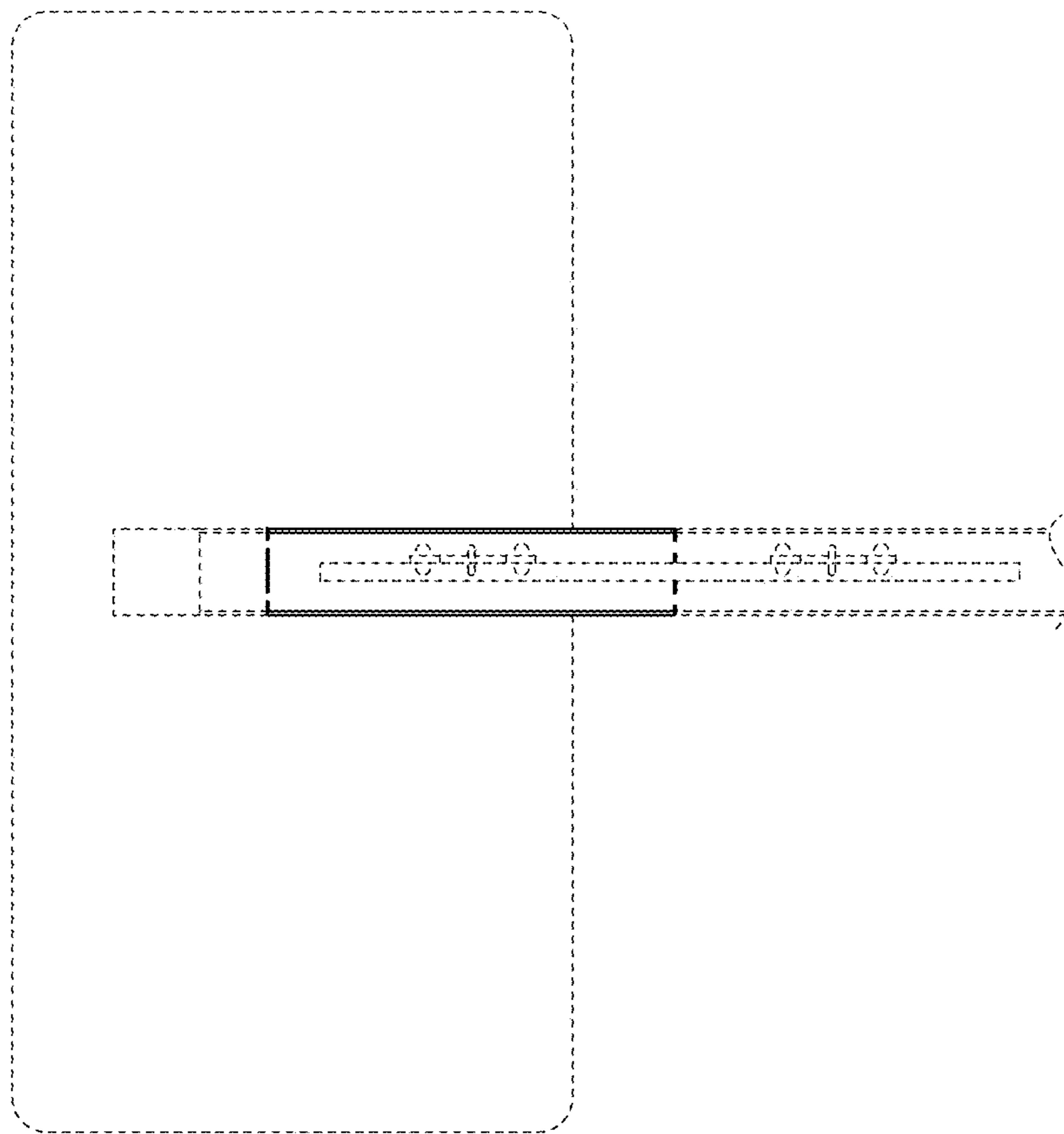


FIG. 6



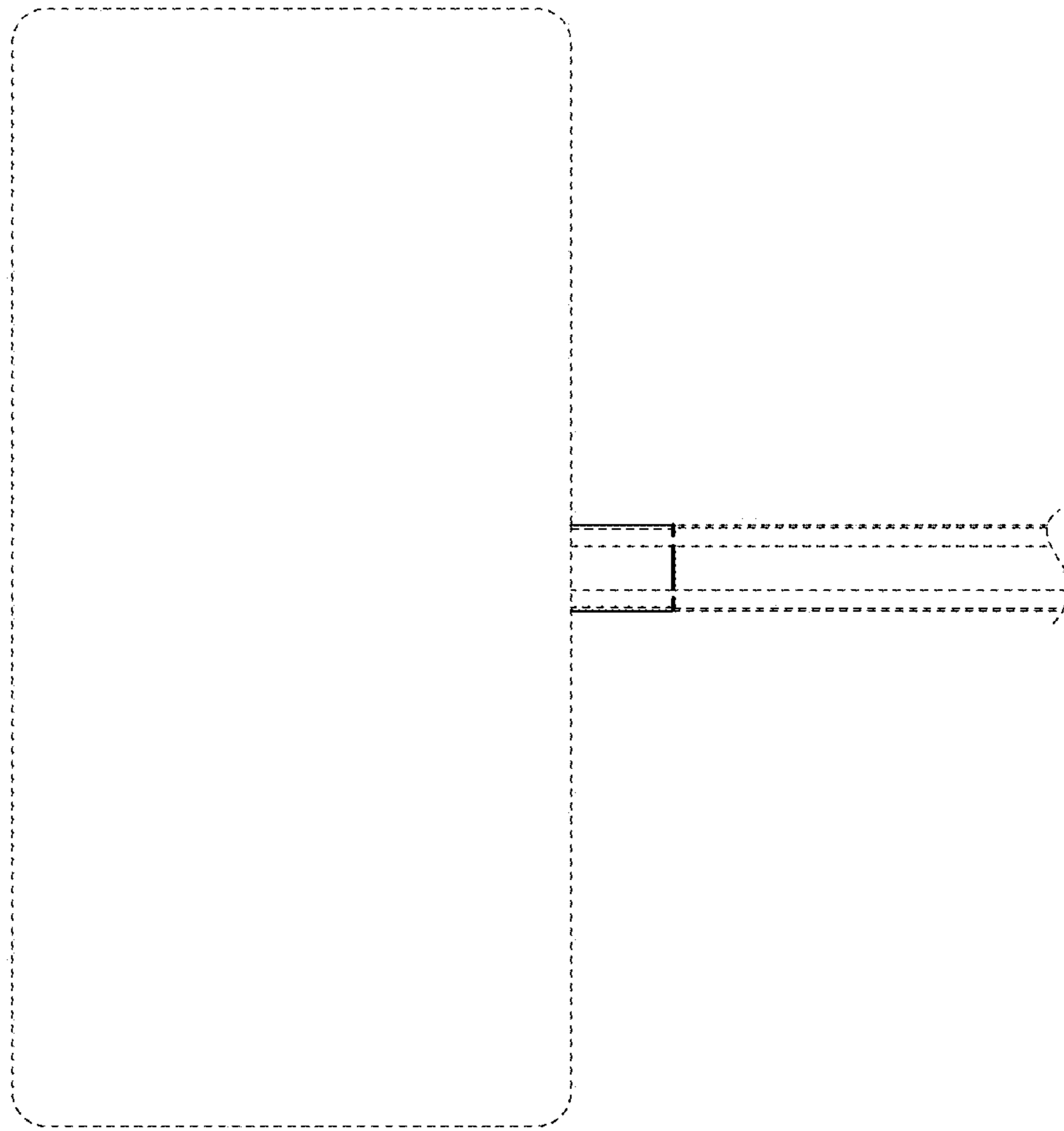


FIG. 7