

US00D960974S

(12) **United States Design Patent**
de Laurentiis

(10) **Patent No.:** **US D960,974 S**

(45) **Date of Patent:** **** Aug. 16, 2022**

- (54) **CARD DISPLAY CASE**
- (71) Applicant: **Steven de Laurentiis**, Southbury, CT (US)
- (72) Inventor: **Steven de Laurentiis**, Southbury, CT (US)
- (**) Term: **15 Years**
- (21) Appl. No.: **29/652,870**
- (22) Filed: **Dec. 22, 2020**
- (51) **LOC (13) Cl.** **19-02**
- (52) **U.S. Cl.**
USPC **D19/91**
- (58) **Field of Classification Search**
USPC D19/105, 107, 75, 77, 78, 81, 84, 85, 86, D19/90, 91, 92; D3/304, 306, 307, 308, D3/313, 314; D6/574, 675, 675.1, 675.2, D6/683, 683.1, 300-308, 314; D7/704
CPC B42F 17/02; A47B 47/04; A47B 63/00; B43M 99/00; B43M 99/001; B43M 99/008; B43M 99/009
See application file for complete search history.

- D421,682 S 3/2000 Rowan
- D503,543 S * 4/2005 Sakaguchi D6/305
- D509,072 S 9/2005 Babich
- D518,300 S 4/2006 Dele-Ogunrinde
- D520,251 S * 5/2006 Sakaguchi D6/314
- D533,726 S 12/2006 Hutchison
- D540,547 S 4/2007 Barnhorn
- D549,783 S * 8/2007 Beno D20/10
- D551,717 S * 9/2007 Diller D20/42
- D552,357 S * 10/2007 Fu D10/2
- D631,513 S * 1/2011 Weinert D19/91
- D637,195 S * 5/2011 Stammers D14/450
- 8,046,945 B2 11/2011 Radcliffe
- D688,745 S 8/2013 Lyons
- 8,608,486 B1 * 12/2013 Brashear B43L 1/12
434/408
- D820,113 S * 6/2018 Liberman D10/2
- D829,449 S * 10/2018 Orsi D6/300
- D846,891 S * 4/2019 Doherty D6/310
- D849,423 S * 5/2019 Miller D6/302
- D859,010 S * 9/2019 Burch D6/310

(Continued)

Primary Examiner — Elizabeth A. Albert
(74) *Attorney, Agent, or Firm* — Dunlap Bennett & Ludwig, PLLC; Anna L. Kinney

(57) **CLAIM**

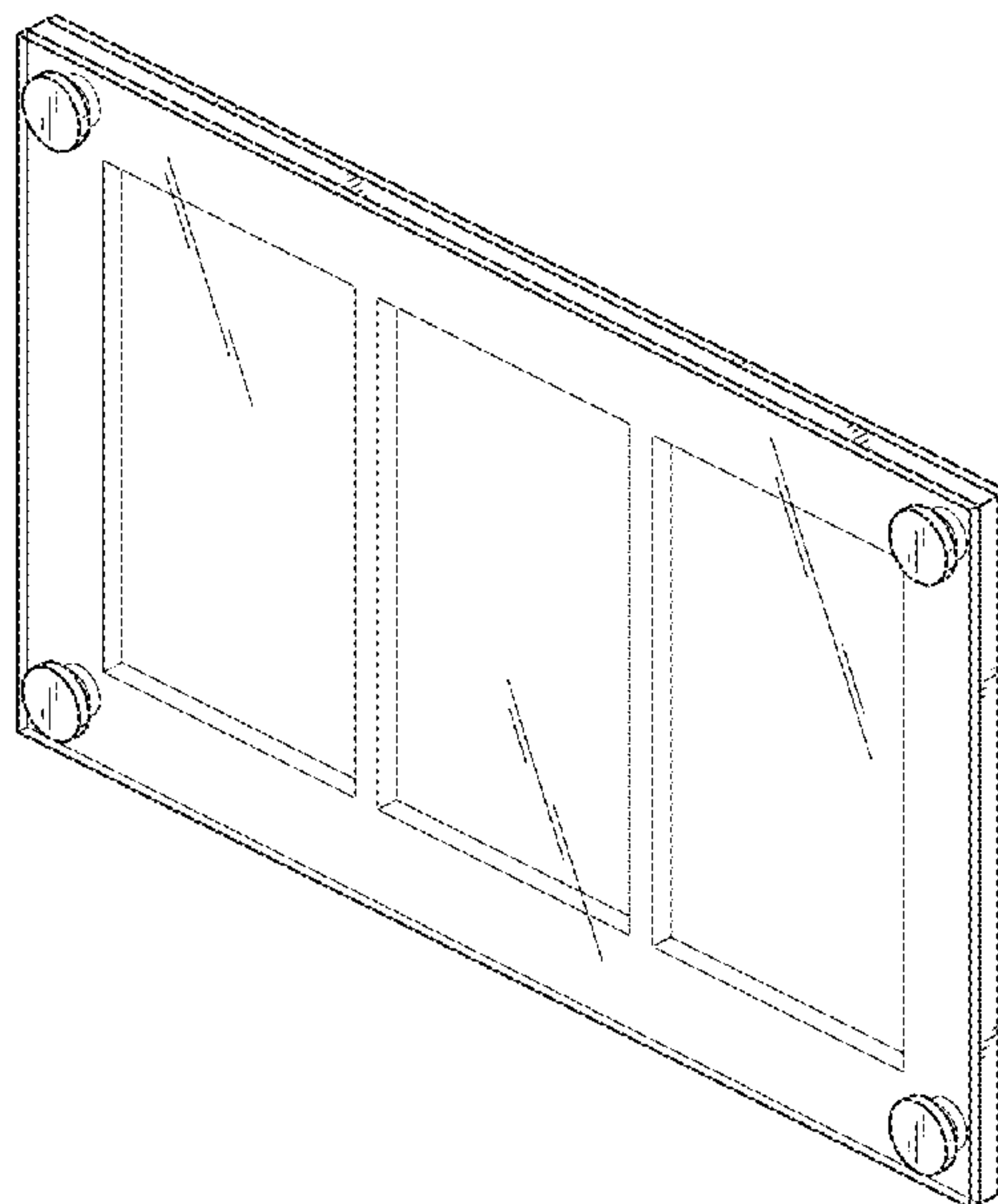
The ornamental design for a card display case, as shown and described.

DESCRIPTION

FIG. 1 is a front perspective view of a card display case showing my new design;
FIG. 2 is a front elevation view thereof;
FIG. 3 is a rear elevation view thereof;
FIG. 4 is a left side elevation view thereof, the right side elevation view being a mirror image thereof;
FIG. 5 is a top plan view thereof, the bottom plan view being a mirror image thereof; and,
FIG. 6 is an exploded perspective view thereof.

1 Claim, 4 Drawing Sheets

- (56) **References Cited**
U.S. PATENT DOCUMENTS
4,161,834 A * 7/1979 Hendricks, Jr. G09F 15/0006
40/607.13
D261,585 S * 11/1981 Smith D6/302
D271,359 S * 11/1983 Le D6/301
D316,275 S * 4/1991 Davis D19/86
D348,693 S * 7/1994 Tillyer, Sr. D19/86
5,361,521 A * 11/1994 Burtch G09F 1/12
40/775
D353,716 S 12/1994 Schur
D365,535 S * 12/1995 Muckier D6/300
D367,560 S * 3/1996 Kwan D6/310
D388,077 S * 12/1997 Starck D14/126
D418,984 S * 1/2000 Koconis D6/300



(56)

References Cited

U.S. PATENT DOCUMENTS

D882,279	S	*	4/2020	Zhu	D6/310
D893,891	S	*	8/2020	Lin	D6/301
D910,322	S	*	2/2021	Doherty	D6/309
D913,730	S	*	3/2021	Ablon	D6/672
2013/0224723	A1	*	8/2013	Gonzales	B43L 1/12
						434/416
2013/0323707	A1	*	12/2013	Lyons	B43L 1/12
						434/416

* cited by examiner

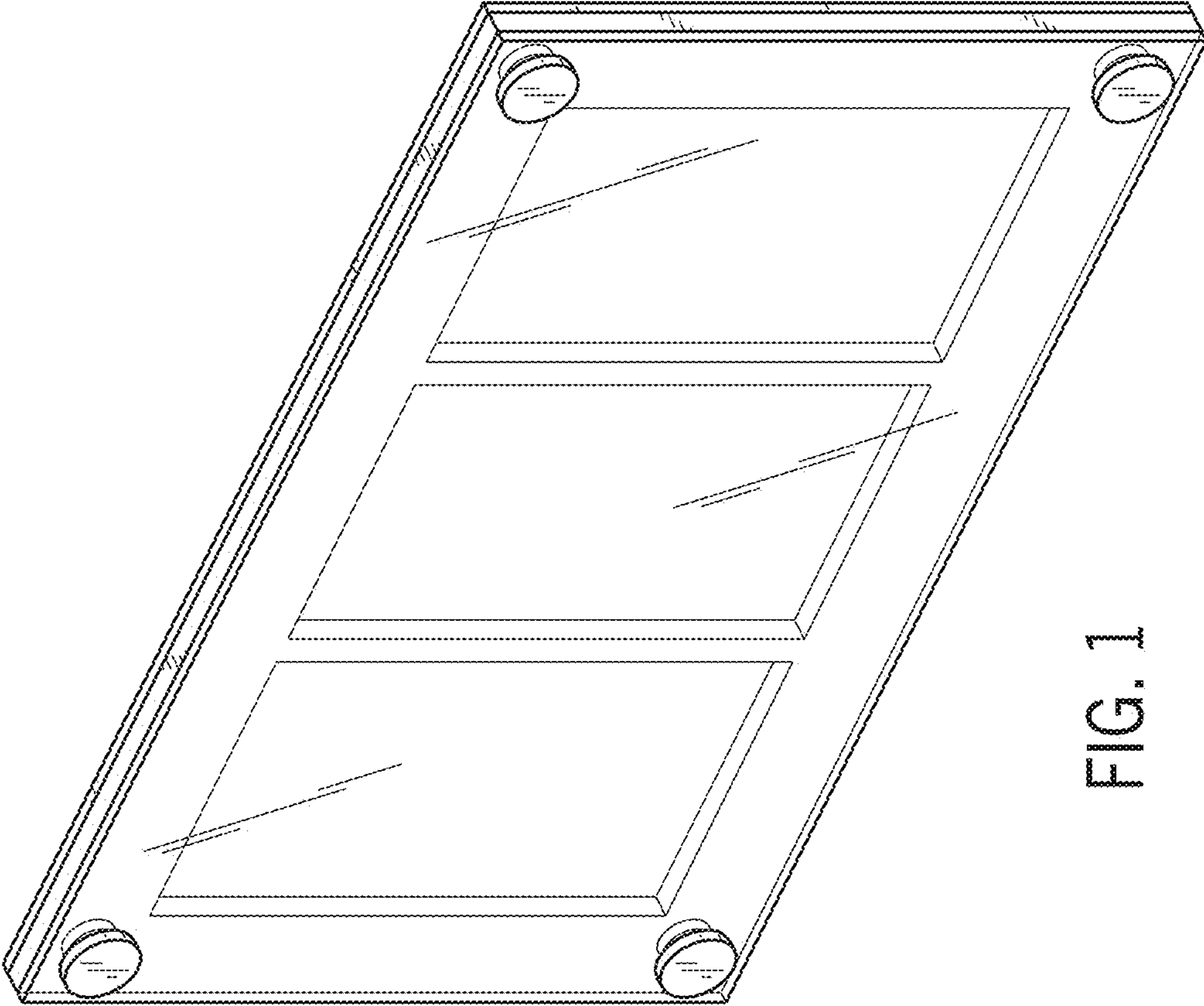


FIG. 1

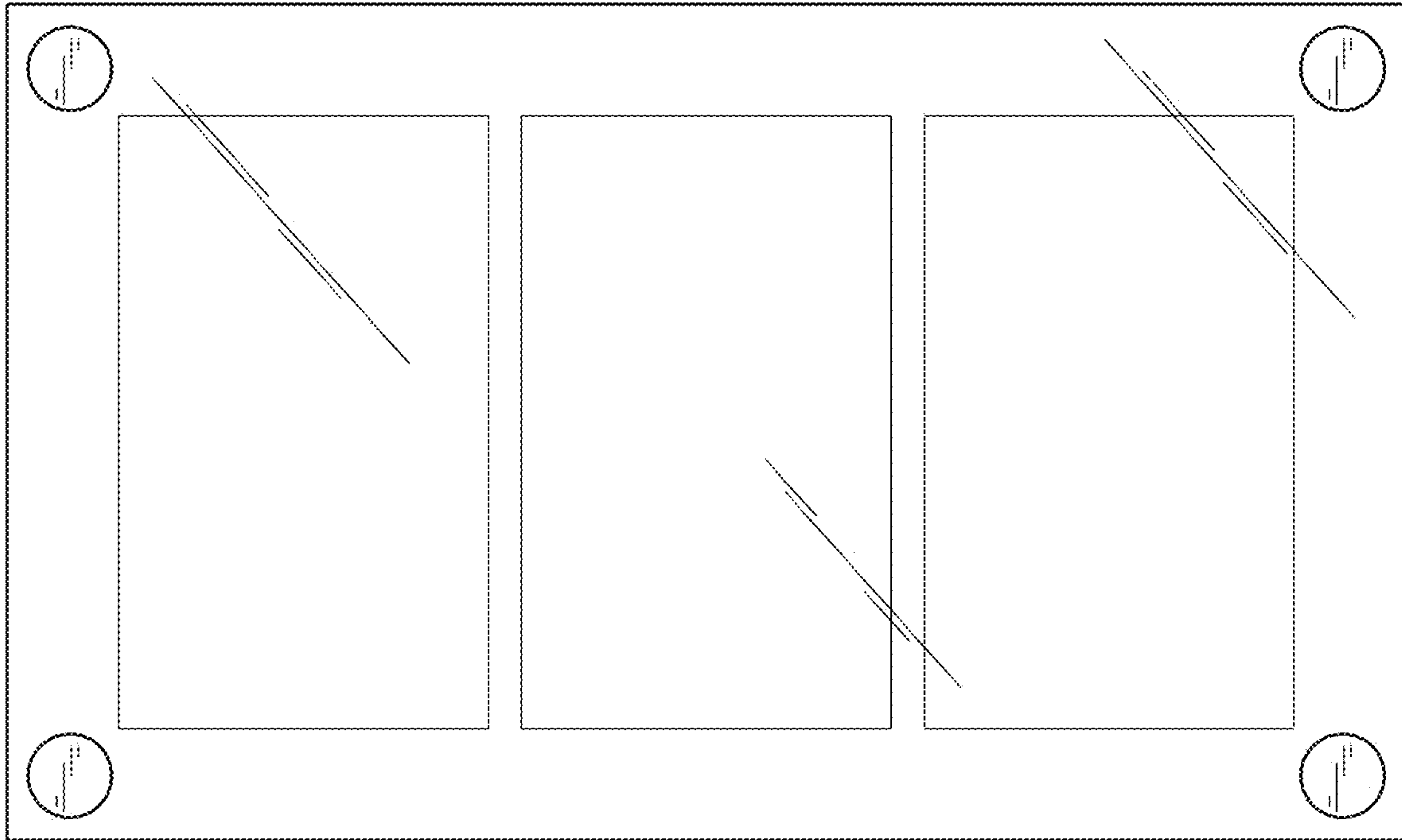


FIG. 2

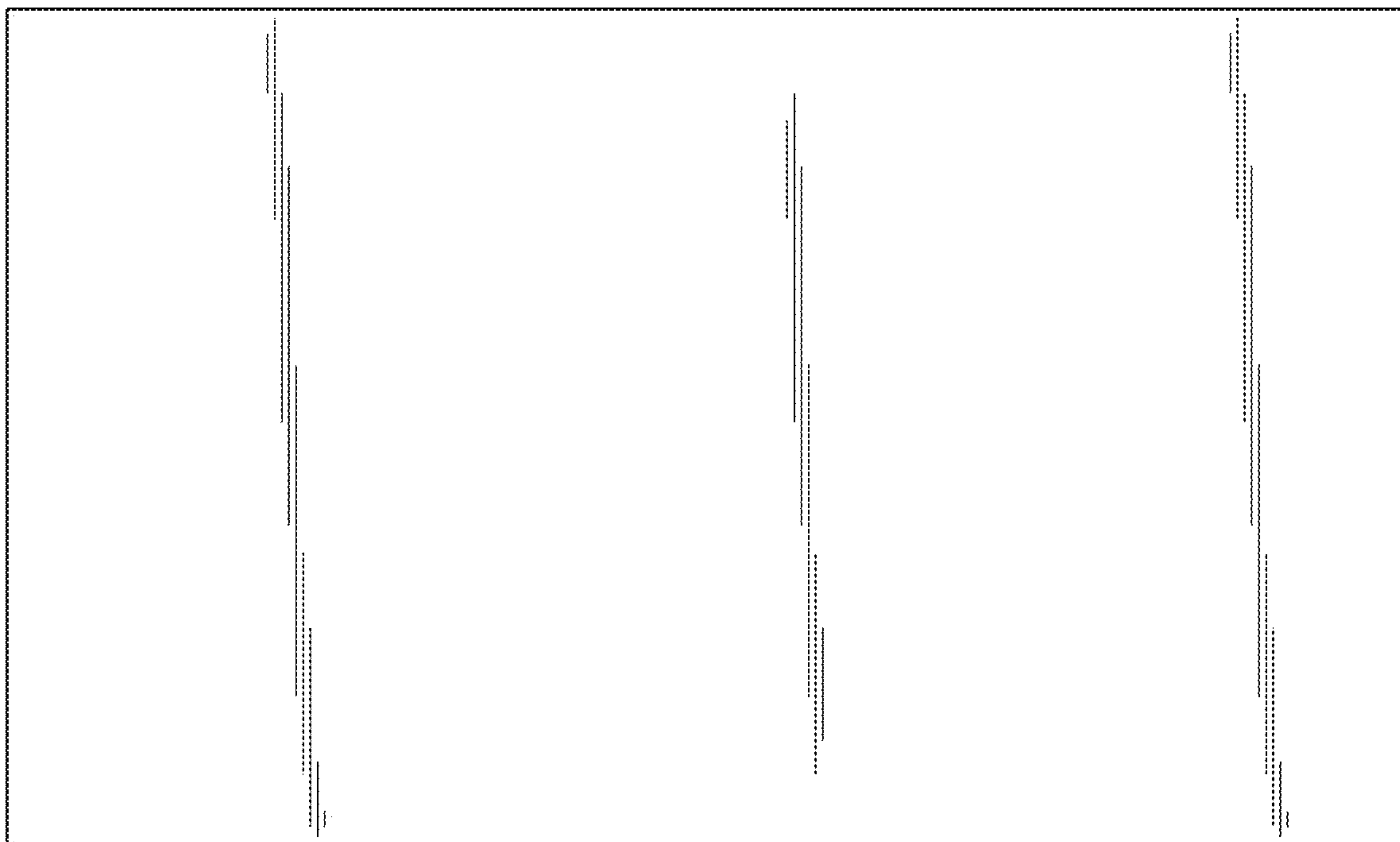


FIG. 3

FIG. 4

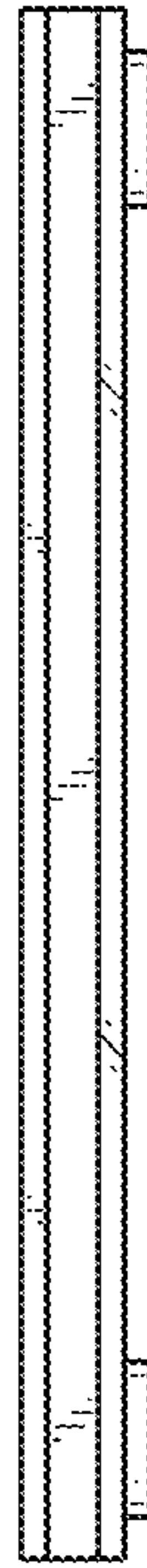


FIG. 5

